

Assembly Instructions

WARNING

ADULT ASSEMBLY REQUIRED

CHOKING HAZARD

- This product includes small parts, sharp points and sharp edges in its unassembled state.
- Keep unassembled parts away from children under 3 years of age, and animals.

SAFETY WARNINGS

- Follow the information on the warnings appearing on this manual.
- Do not allow children under 3 years of age to use the product.
- Do not use substitute parts. Contact the manufacturer for replacement parts.

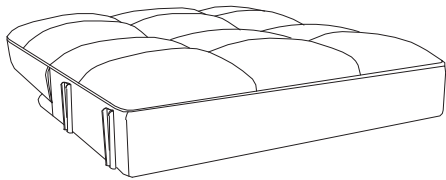
USE, MAINTENANCE & ASSEMBLY

- Periodically check and ensure that the components are in their proper position, free from damage, and that all connectors are tight.
- Use on level surfaces only. Assemble on a soft level surface to avoid damage to unit or floor.
- Do not use this item if any components are missing or damaged.
- Only clean using damp cloth and mild detergent, do not use bleach or abrasive cleaners.

PARTS AND ACCESSORIES

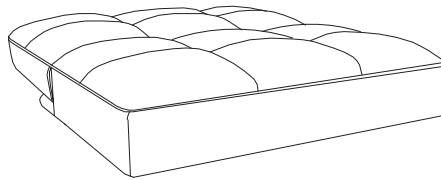
◆ Please check and ensure all the things are in the package. Please contact us if something is not included. We will reply within 24 hours and try our best to solve it.

1. Main Parts



A1 x1

Left Sofa Body

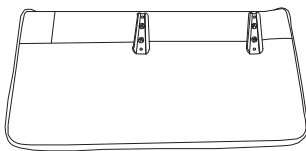


A2 x1

Right Sofa Body

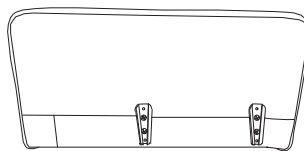
Note: Some accessories are located inside the both sofa bodies.

B C D E F are placed inside the sofa bodies. Please take them out before installation.



Bx1

Left Arm



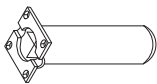
Cx1

Right Arm



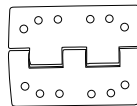
Dx4

Leg



Ex2

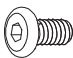

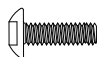
Middle Leg

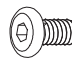
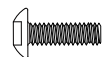


Fx2

Hinge

2. Screws and Other Parts

Other Parts	Name	QTY
	1 M6×10 Screw	8PCS
	2 Wrench (4mm)	1PC
	3 M6×20 Screw	8PCS

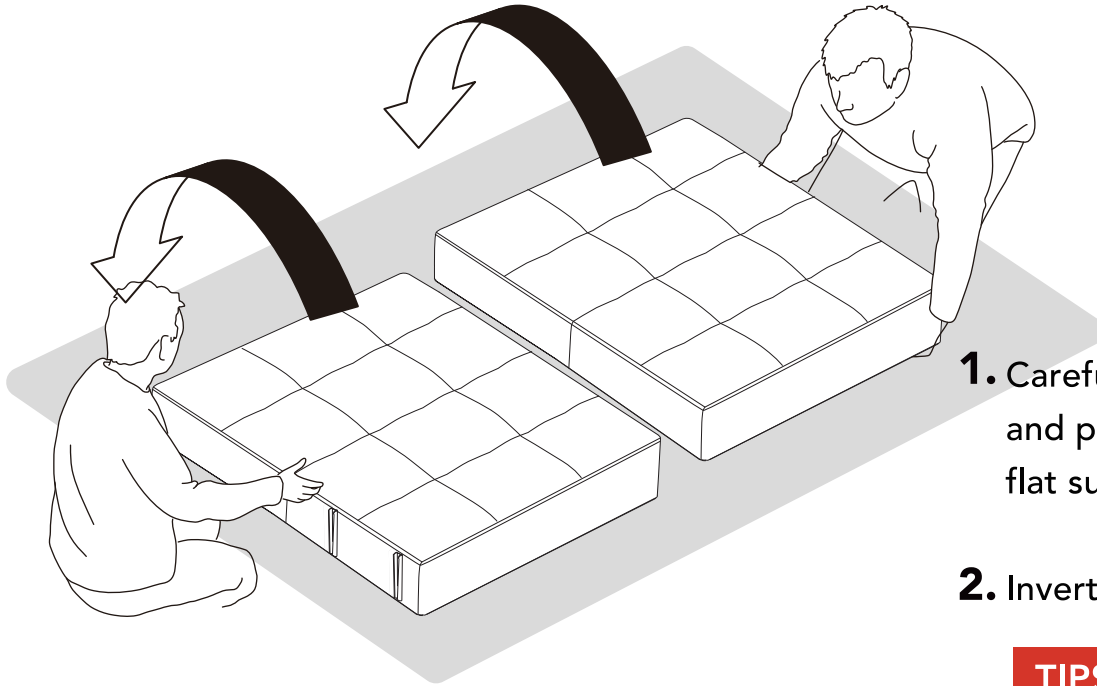
Spare Parts	Name	QTY
	1 M6×10 Screw	1PC
	3 M6×20 Screw	1PC

ASSEMBLY INSTRUCTIONS

CAUTION: At least two adults are required to safely assemble this recliner chair.



Other lifting attempts may risk back safety due to large and heavy part(s).

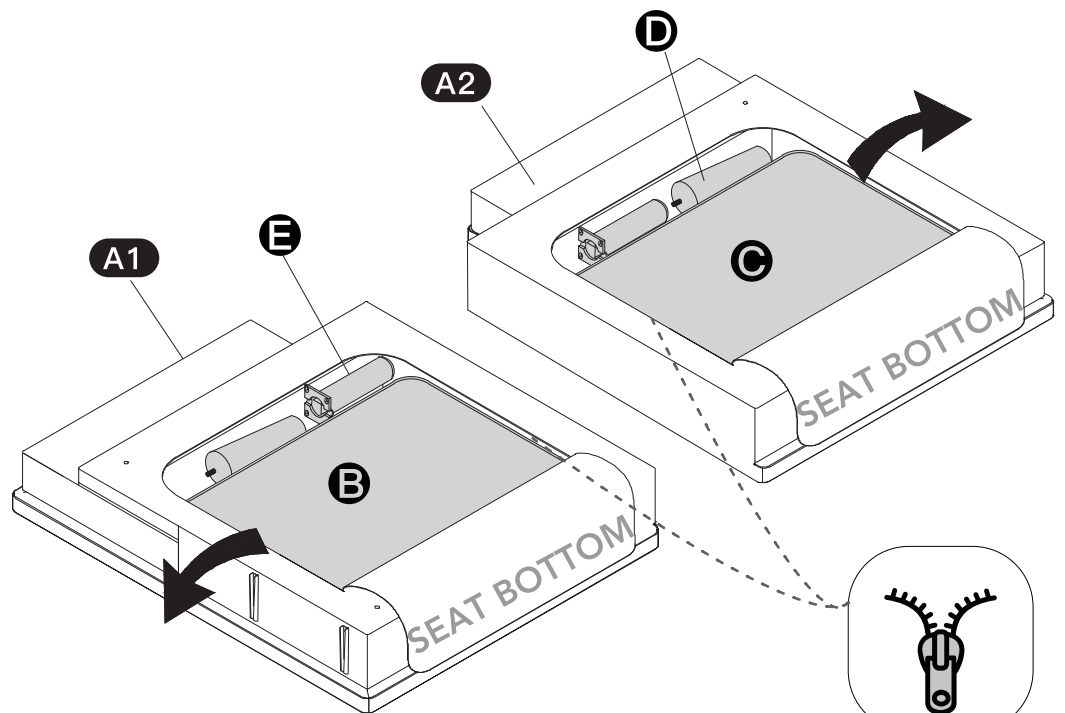
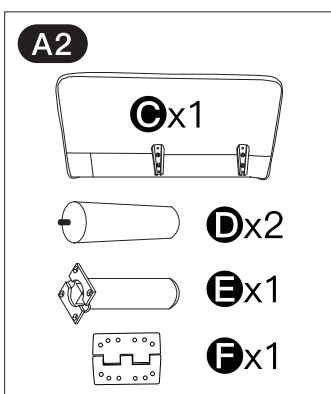
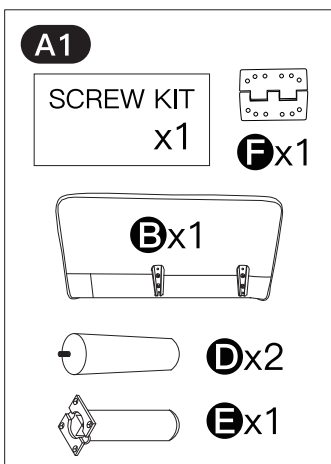


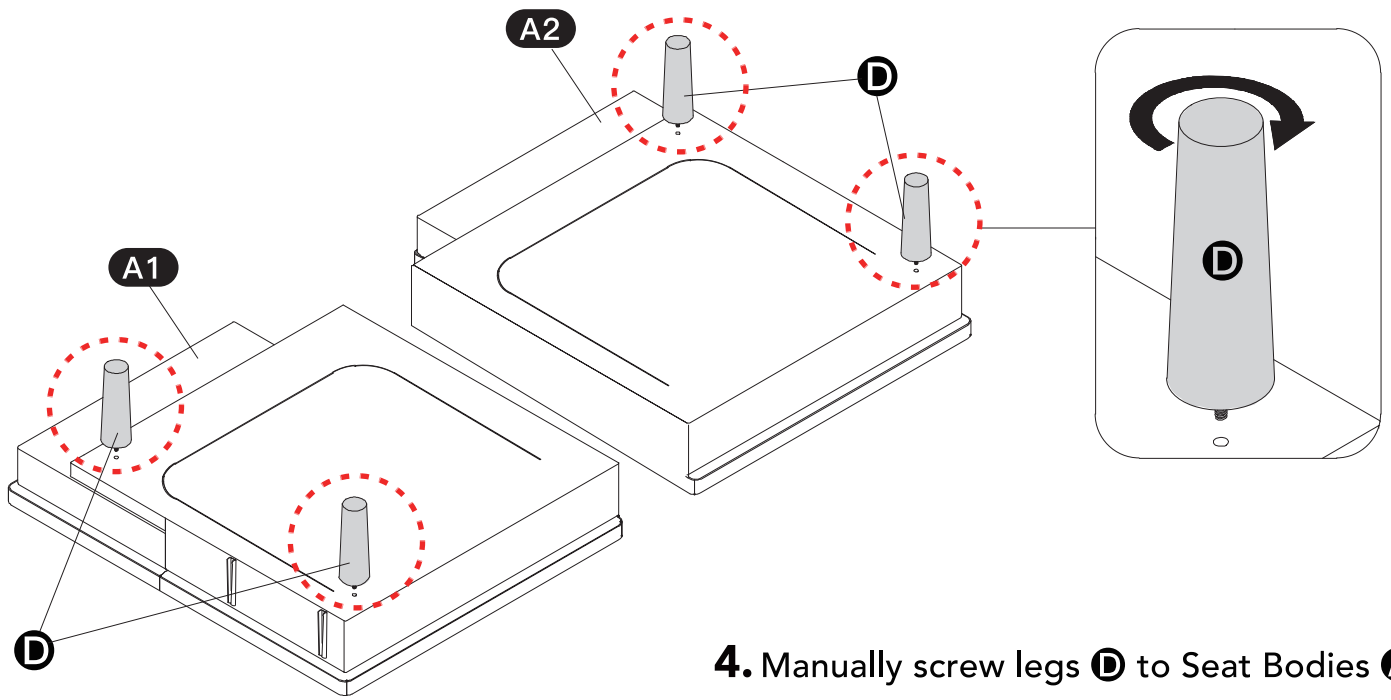
1. Carefully unpack the parts and place them on a clean, flat surface.

2. Invert the sofa bodies.

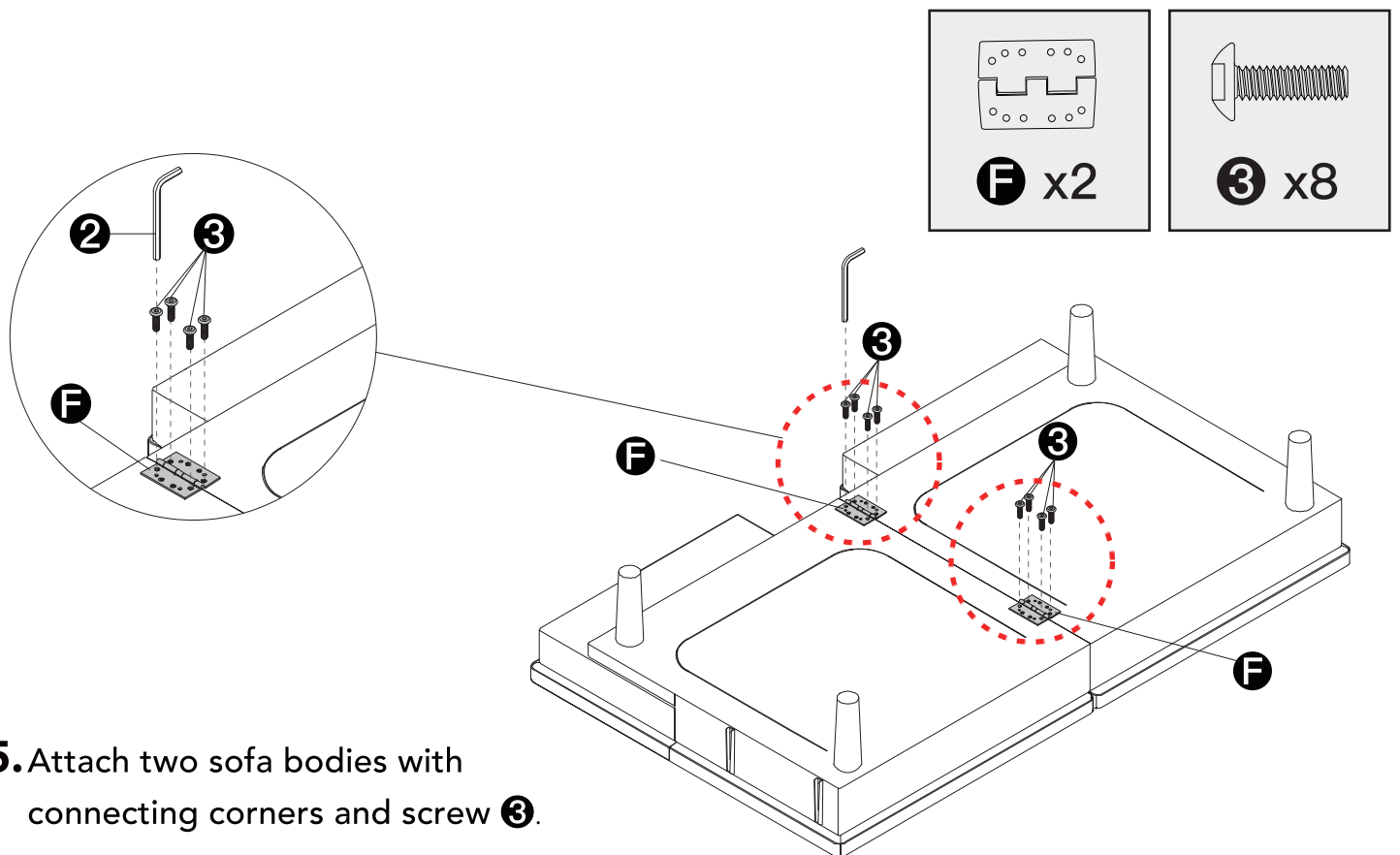
TIPS: Be cautious of being clipped.

3. Take left arm, right arm, legs and middle legs out from the sofa bodies.



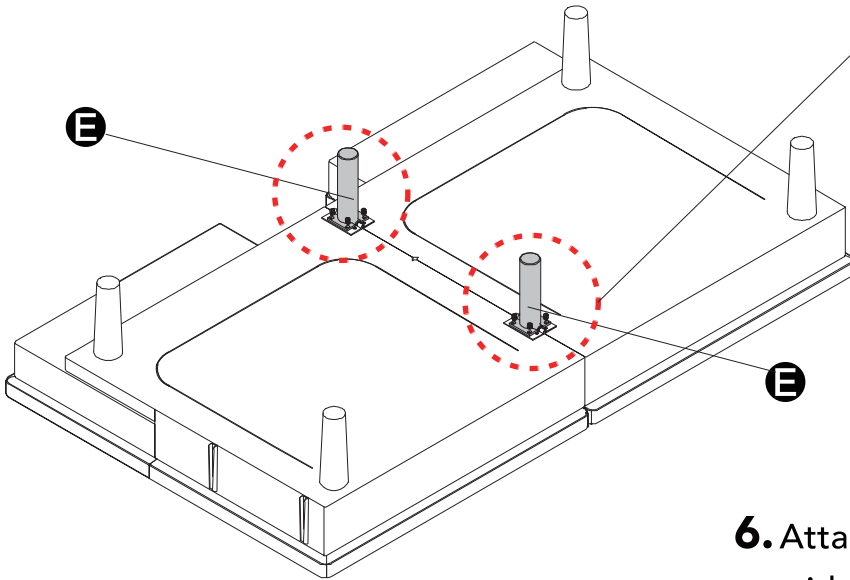
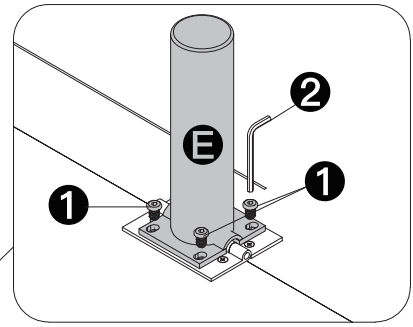
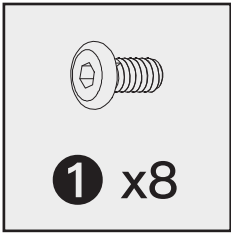


4. Manually screw legs **D** to Seat Bodies **A**, as shown.



5. Attach two sofa bodies with connecting corners and screw **3**.

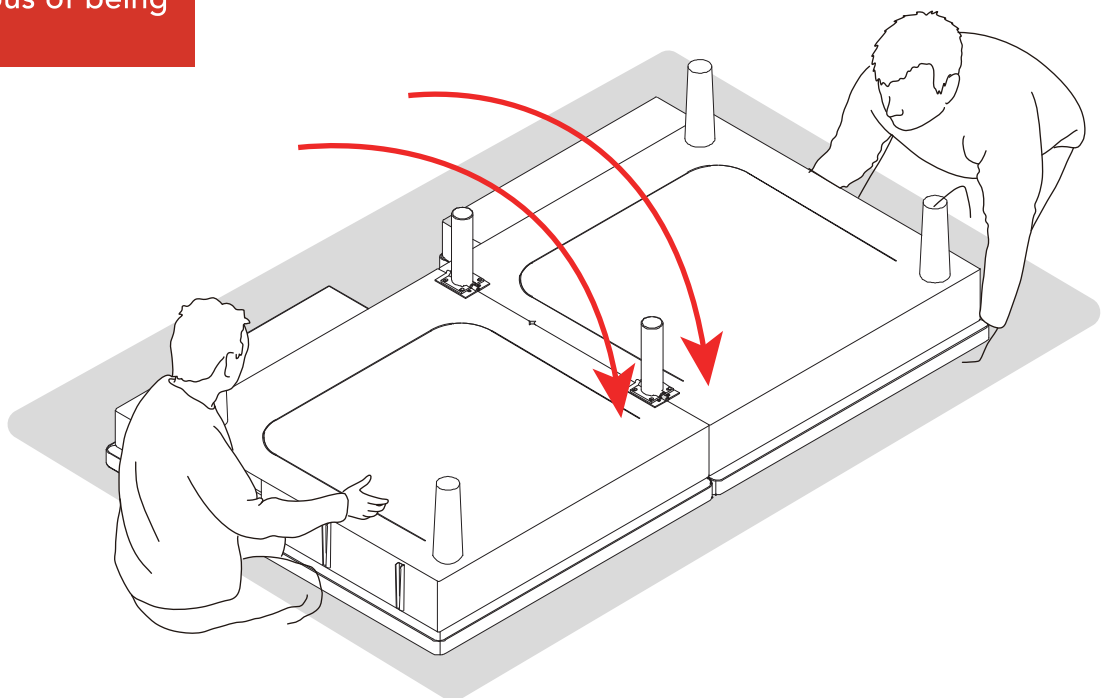
Note: The two sofa sections must be pressed tightly together before tightening the hinge screws to prevent significant gaps in the sofa.

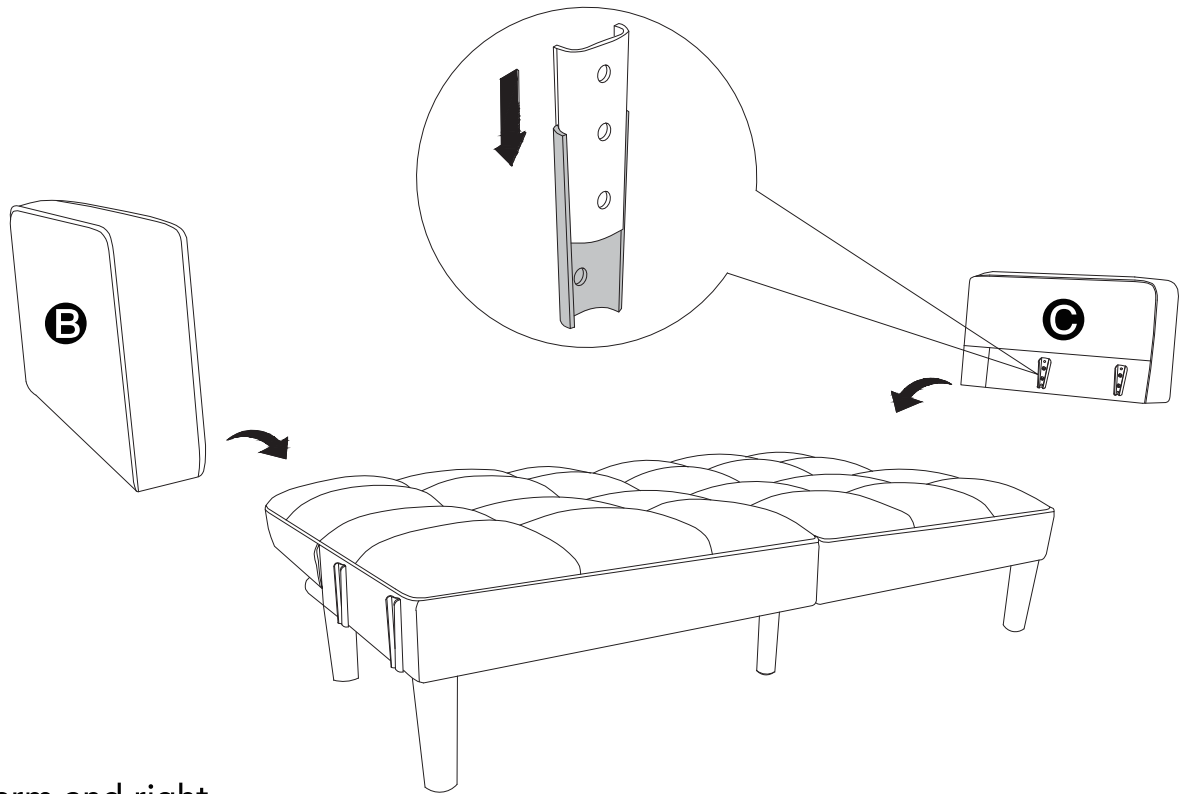


6. Attach middle legs to seat bodies with screw **1**, as shown.

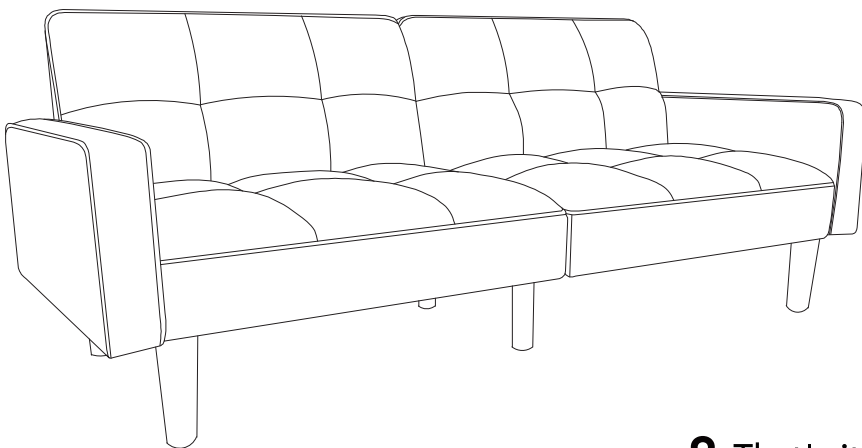
7. Lift the sofa body and turn it over.

TIPS: Be cautious of being clipped.



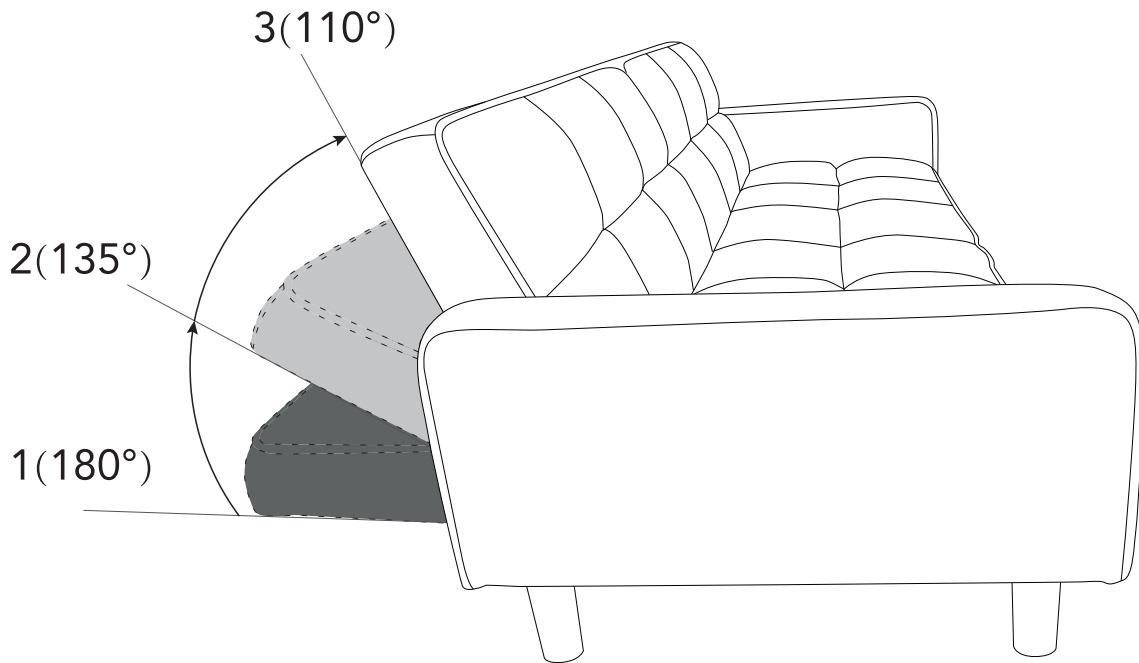


8. Attach left arm and right arm to seat bodies, as shown.



9. That's it ! You've finished assembling your sofa bed.

USAGE OF BACKREST

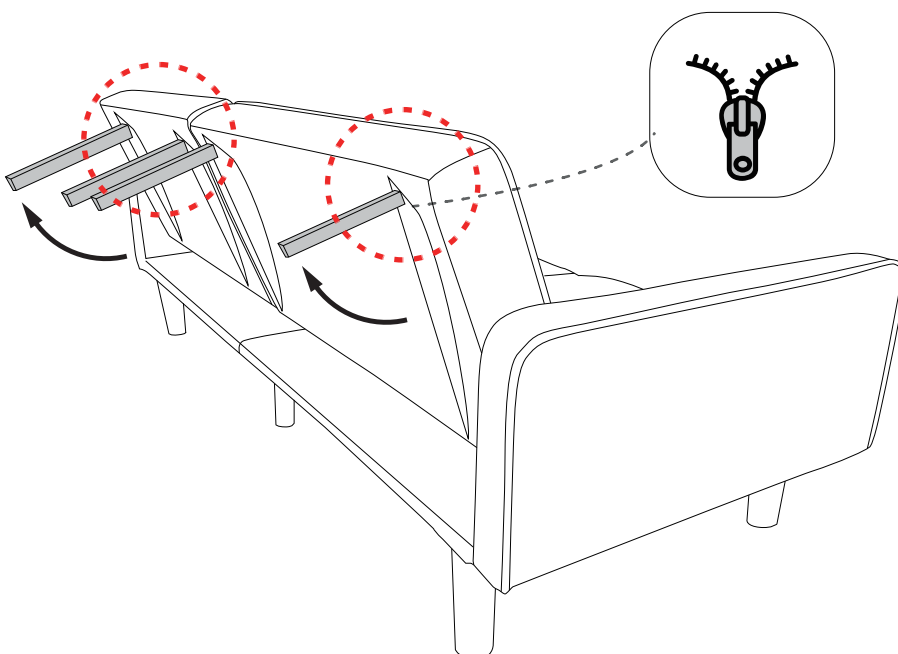


The backrests labeled as L & R can be adjusted separately in 3 different positions.

To lift the backrest L, raise it until you **hear 2 clicks on both sides**, indicating that the back-rest L is fully locked in position.

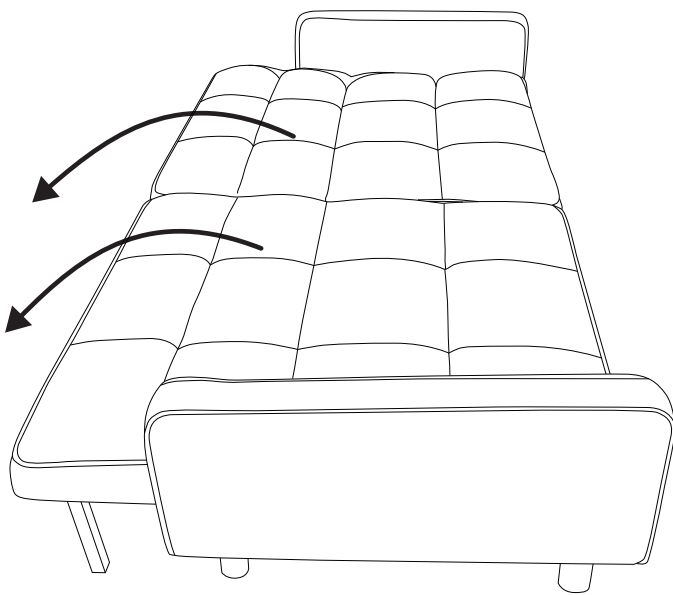
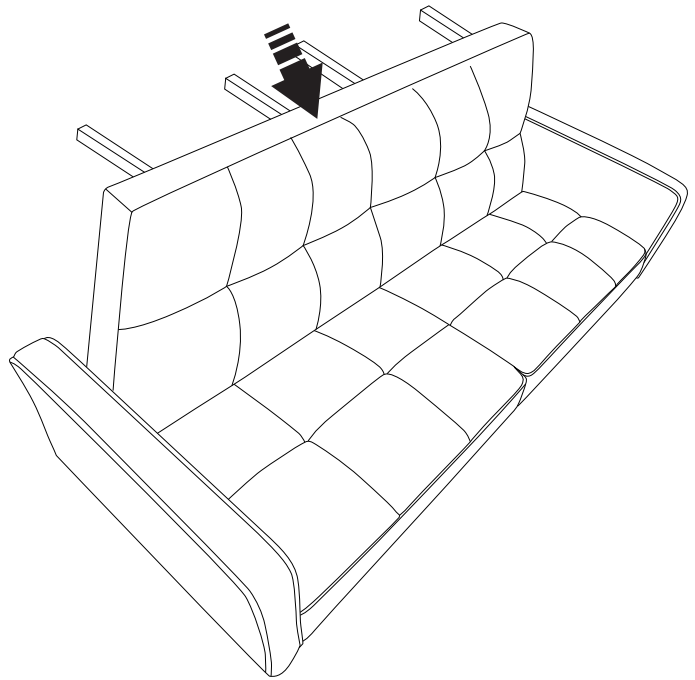
The same procedure applies to the backrest R.

SOFA TO BED OPERATION



1. Unzip the backrests and expand the iron frames.

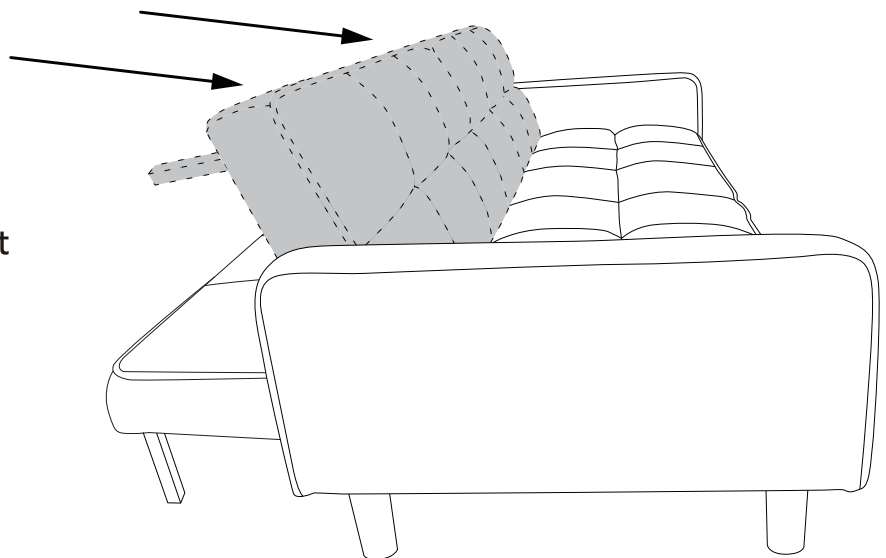
2. Push down the backrest.

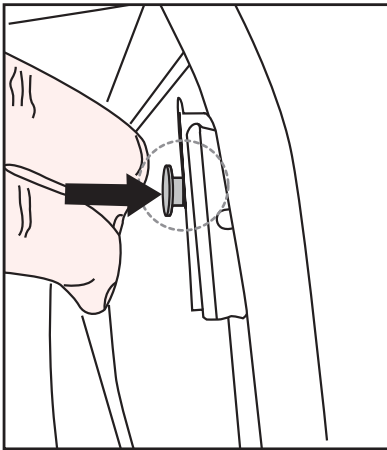


3. Lay the backrests flat in a 180-degree position. Take a moment to relax.

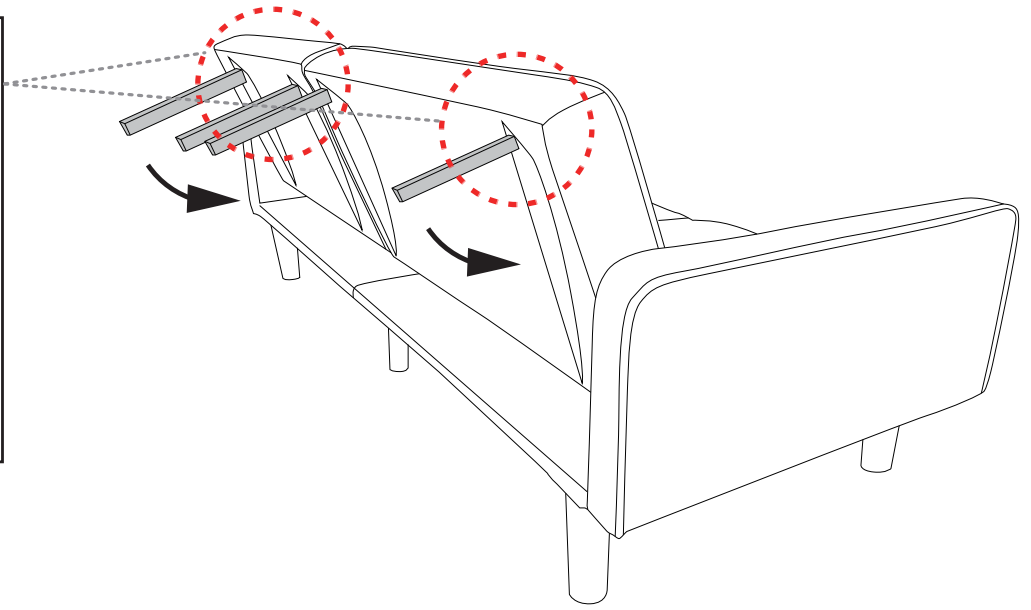
BED TO SOFA OPERATION

1. Push back the backrest to upright.

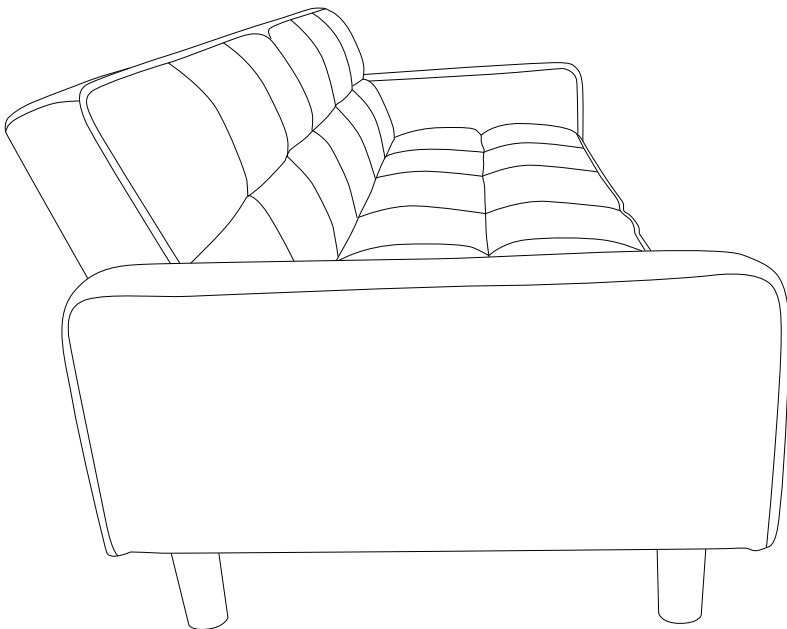




Fold Button

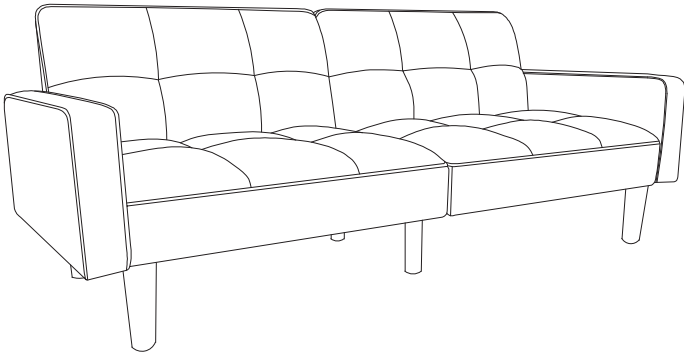


- 2.** Press the button at the bottom of the iron frame in the backrest to retract the iron frame as shown.

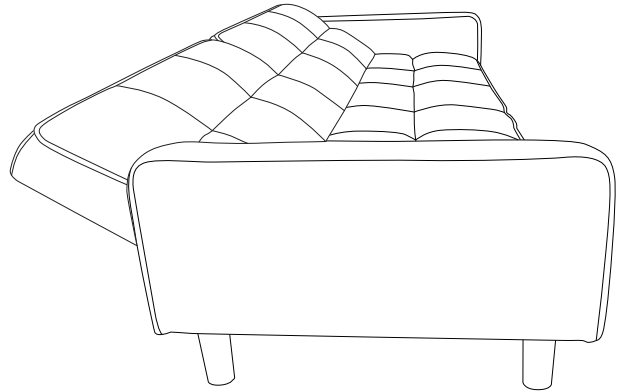


- 3.** The sofa bed is restored to its initial position.

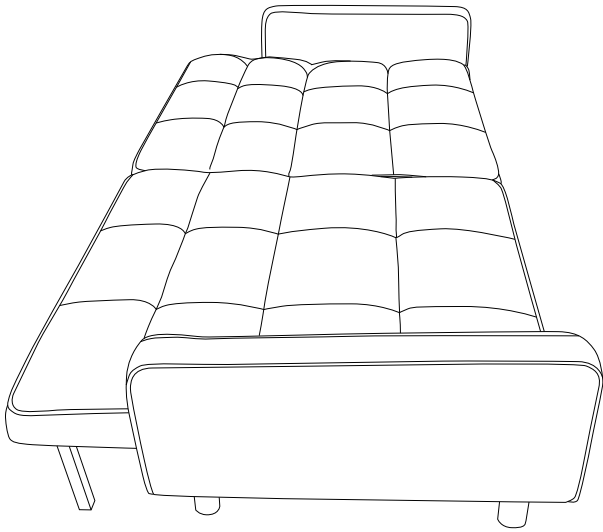
USAGE



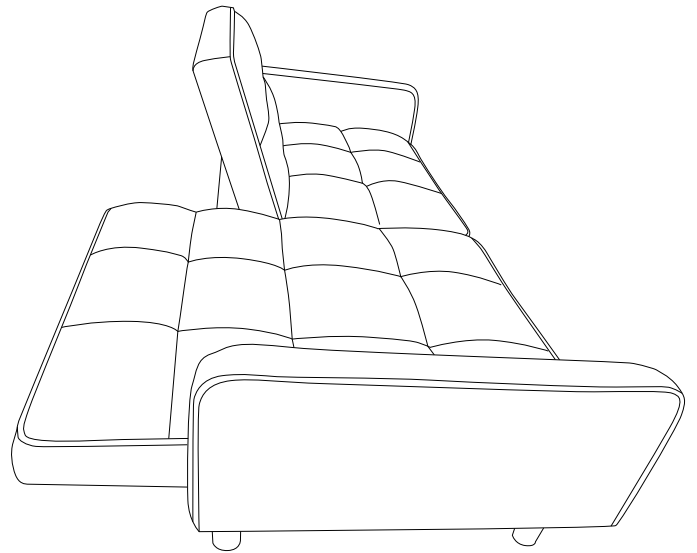
SOFA



LOUNGE



BED



SPLIT-BACK