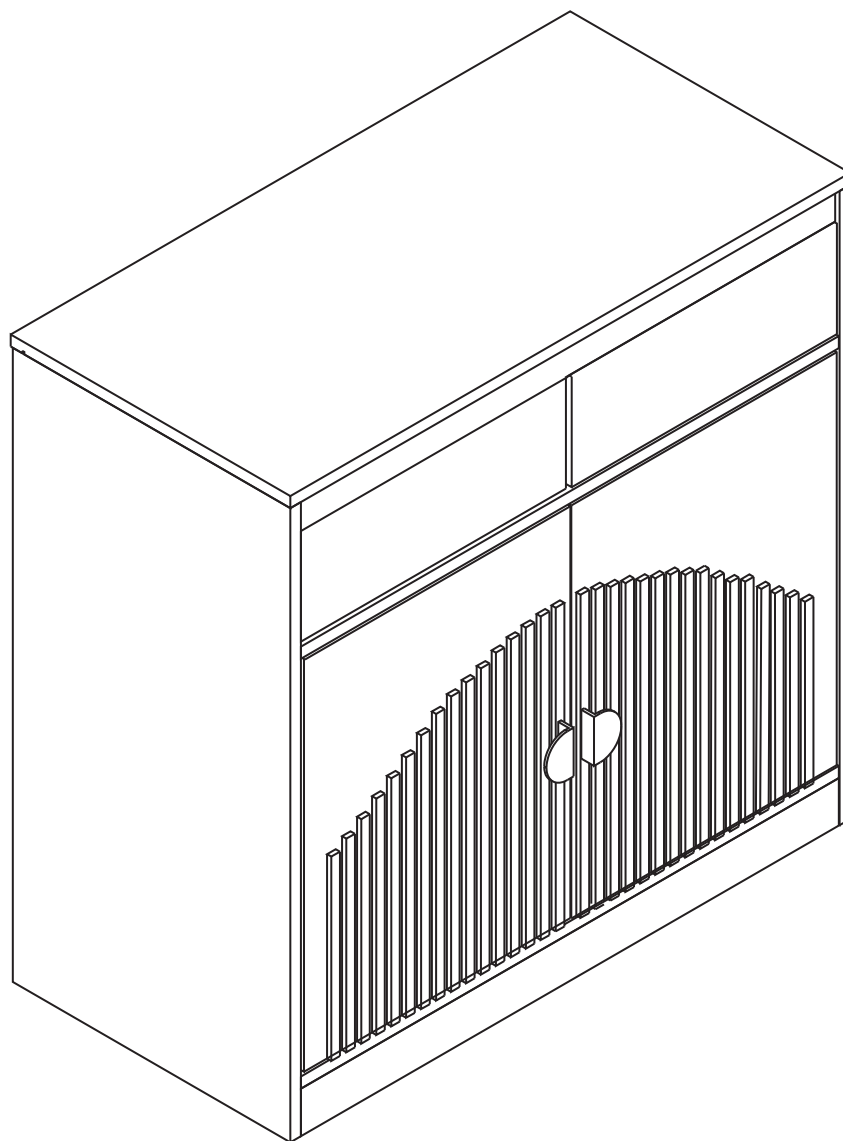


FLUTED BUFFET SIDEBOARD



NOTICE

EN

Please keep these instructions for future reference.

Dear Customer

● Thank you for your purchase. When you receive the product, please make sure that all the parts are intact. If any parts are missing, please contact us promptly to request replacement parts.

● Then follow the entire installation instructions to install.

● Each part is crucial, so please be careful not to lose any. It is recommended to store parts with different lettered identifiers in separate boxes or bags to avoid confusion during installation.

A . The outer box is damaged

B . The product is damaged / bent / cracked while you open the box

C . The parts / accessories / assembly tools are missing

D . The instructions are not clear and can not be referred

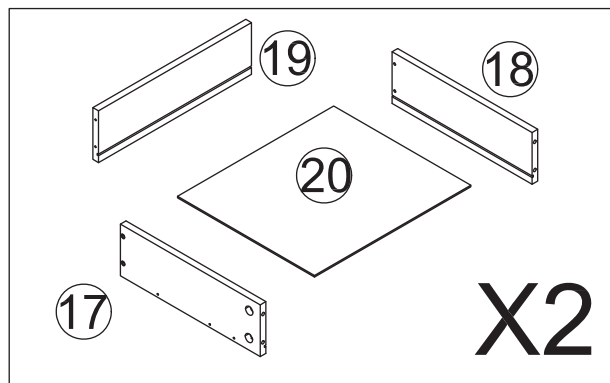
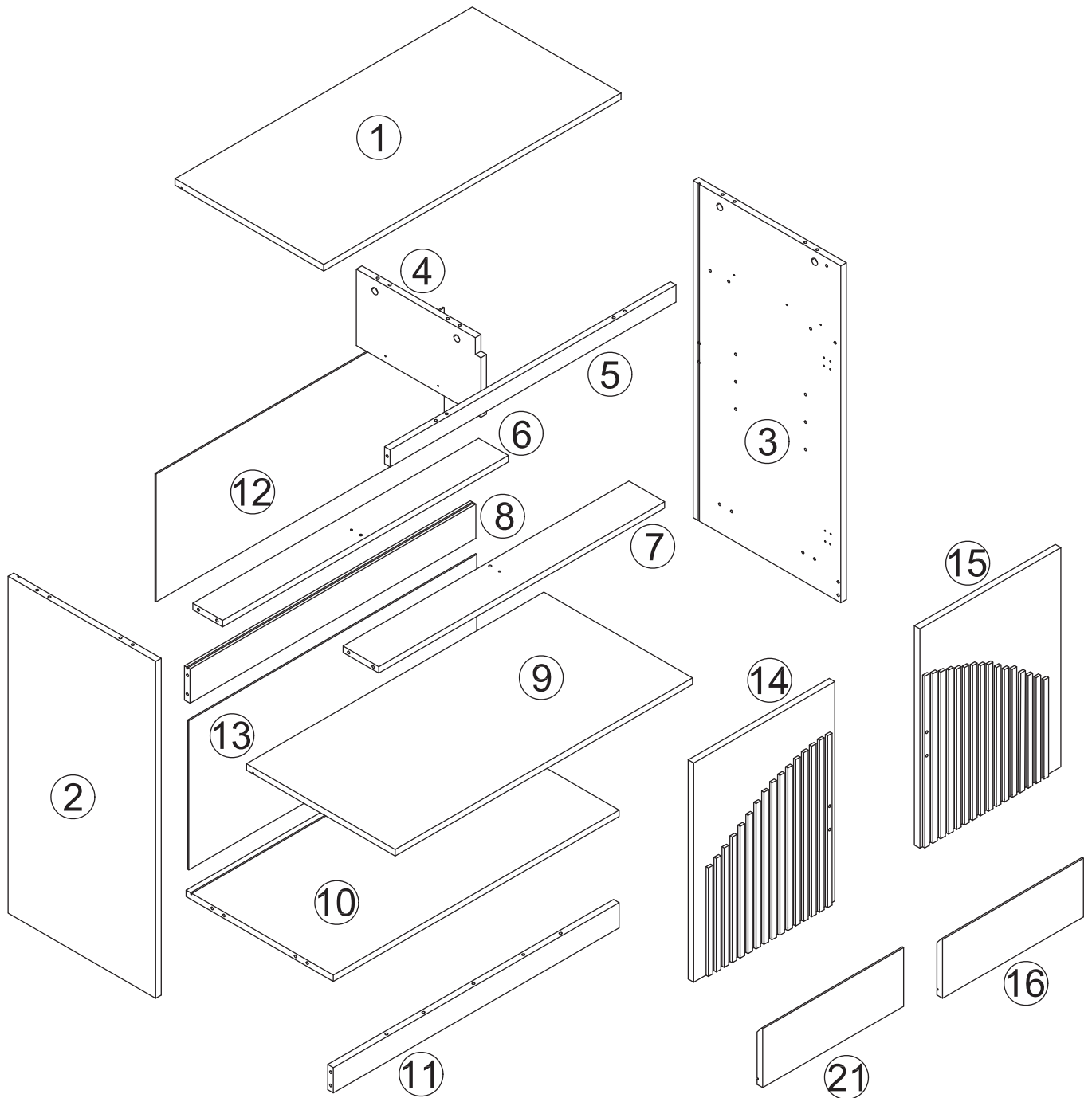
E . The product has functional problems

F . Other aspects that you are not satisfied with

Please feel free to contact us for help, and provide the following information:

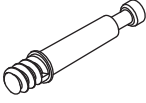




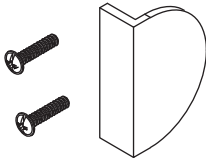

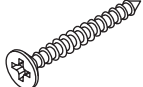
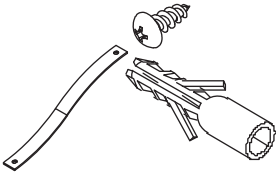
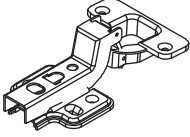

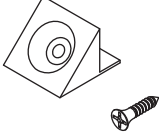
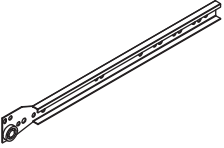
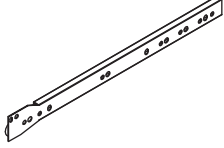
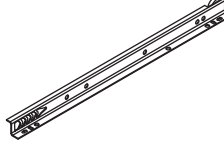
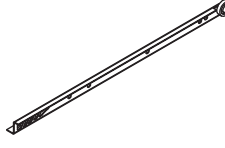
Platform/Shop name/Order id/Buyer's name/Receiver's address/Problem description/Problem pictures

PART LIST



X2

HARDWARE

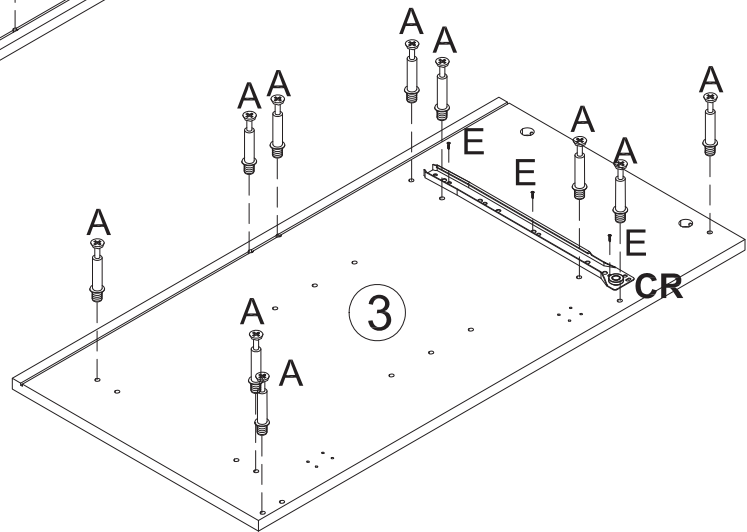
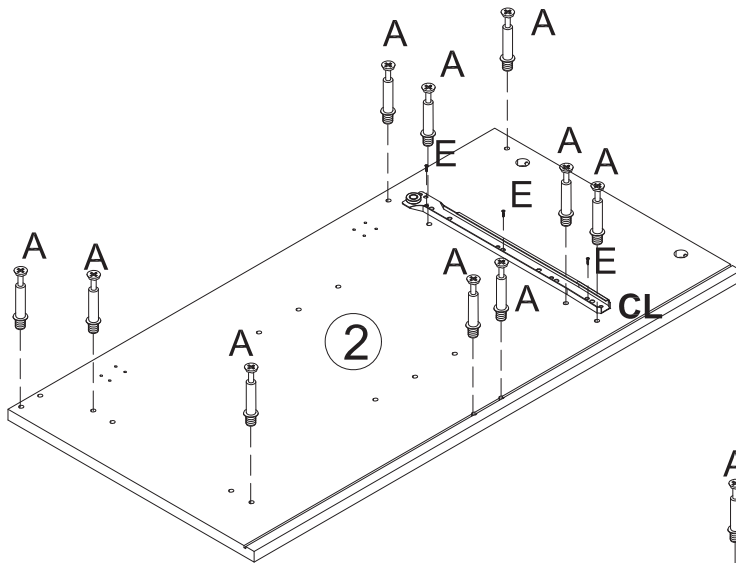
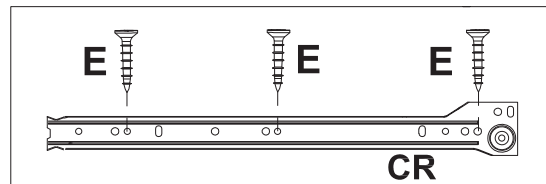
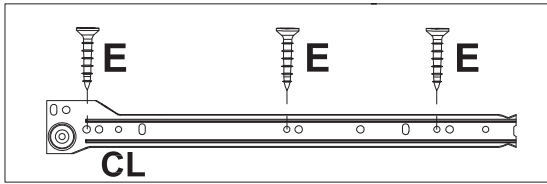
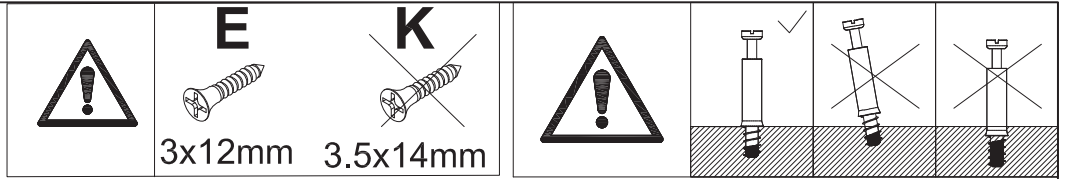
<p>A</p>  <p>x 37+2PCS</p>	<p>B</p>  <p>x 37+2PCS</p>	<p>C</p>  <p>6x30mm</p> <p>x18+1PCS</p>	<p>H</p>  <p>4x35mm</p> <p>x 2PCS</p>
<p>E</p>  <p>3x12mm</p> <p>x24+2PCS</p>	<p>F</p>  <p>x2PCS</p>	<p>G</p>  <p>x 4PCS</p>	<p>D</p>  <p>4x35mm</p> <p>x12+1PCS</p>
<p>I</p>  <p>x 2PCS</p>	<p>J</p>  <p>x 4PCS</p>	<p>K</p>  <p>3.5x14mm</p> <p>x 24+2PCS</p>	<p>L</p>  <p>x8PCS</p>
<p>CL</p>  <p>x 2PCS</p>	<p>CR</p>  <p>x 2PCS</p>	<p>DL</p>  <p>x 2PCS</p>	<p>DR</p>  <p>x 2PCS</p>

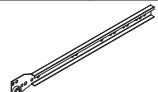
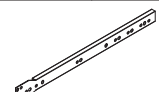

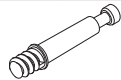
WARNING

- EN** Please do not tighten all the screws before the assembling is done.
- DE** Bitte ziehen Sie alle Schrauben erst fest, wenn die Montage abgeschlossen ist.
- FR** Veuillez ne pas serrer toutes les vis avant que l'assemblage ne soit terminé.
- IT** Si prega di non serrare tutte le viti prima che il montaggio sia completato.
- ES** Por favor, no apriete todos los tornillos antes de que el ensamblaje esté terminado.

STEP

01

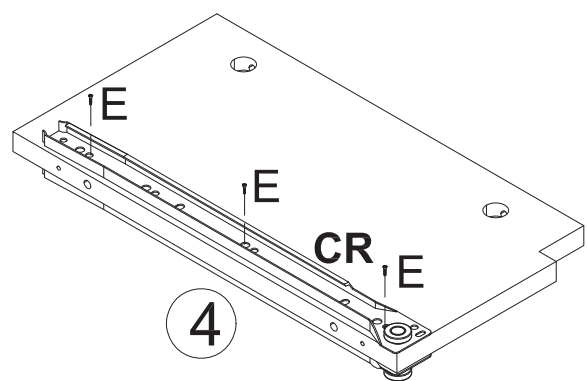
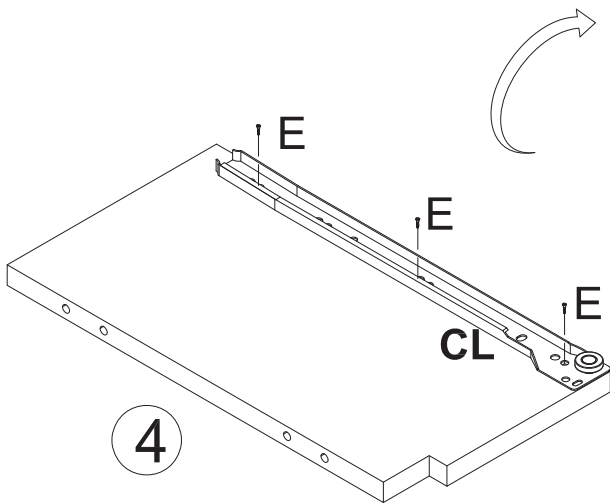
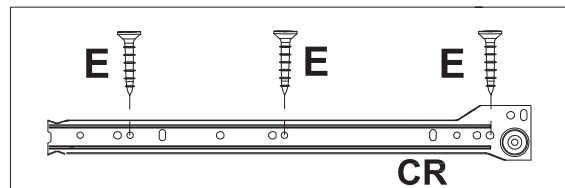
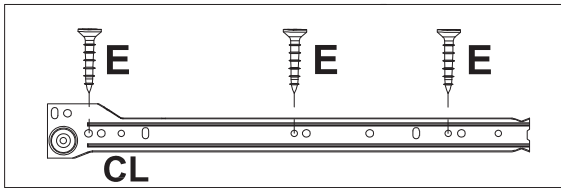
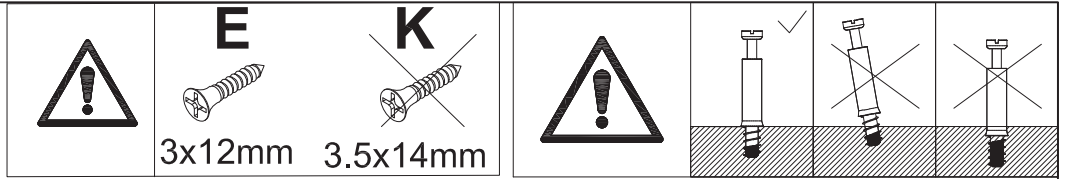


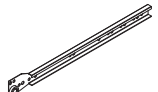
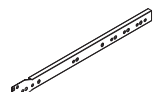

CL	x1	CR	x1	E	x6	A	x20
							

03

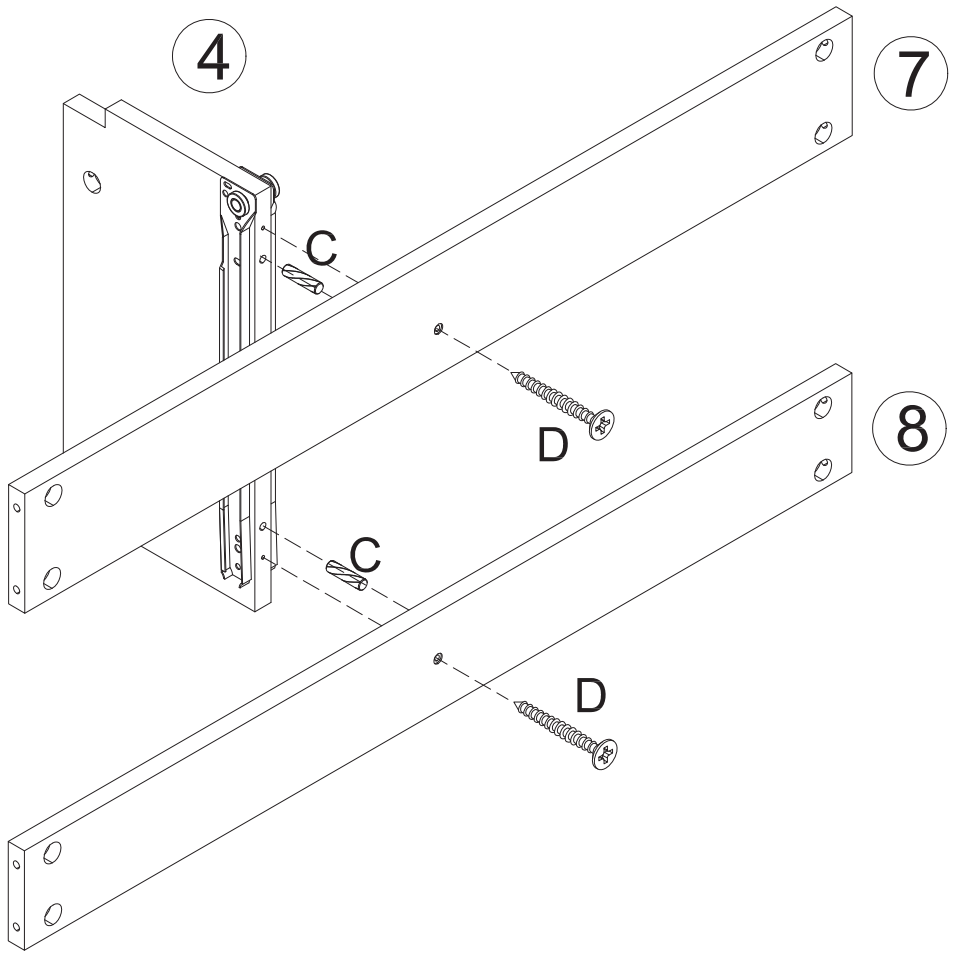
STEP



02



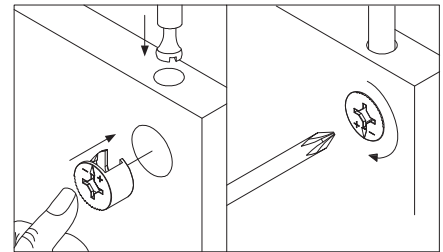
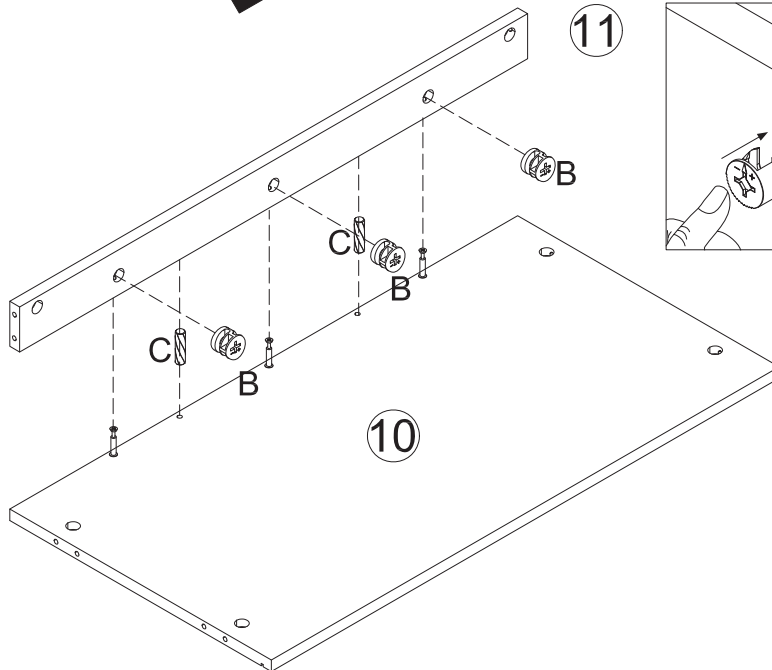
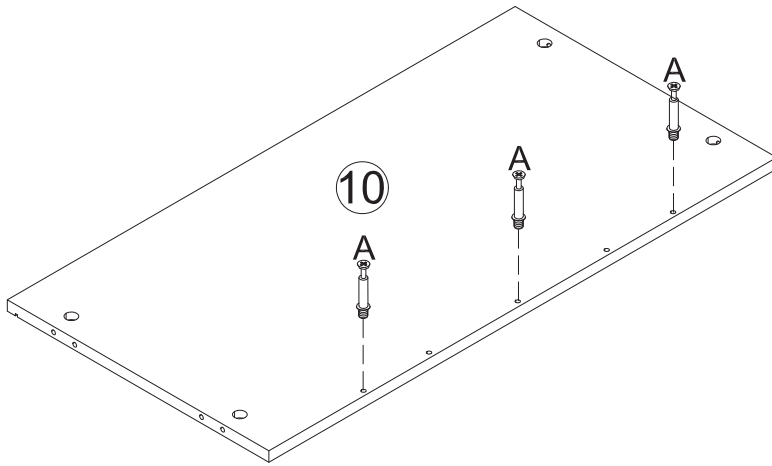
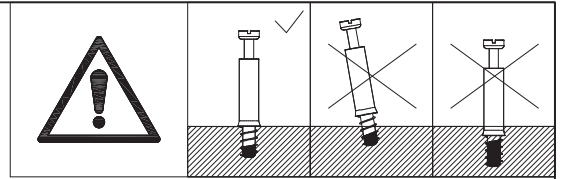
CL	x1	CR	x1	E	x6
					

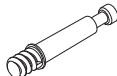


03



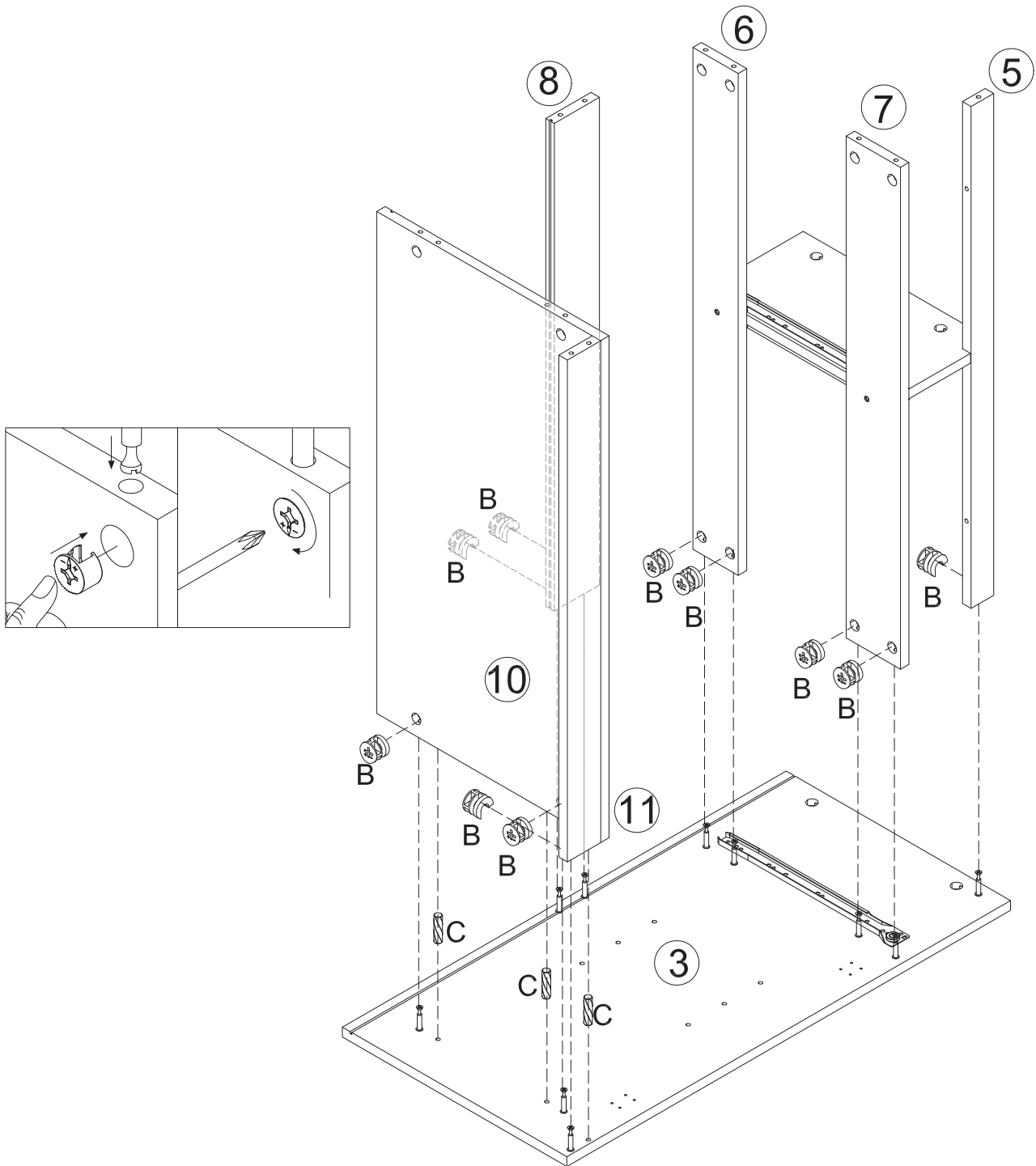
C	x2	D	x2
			



04



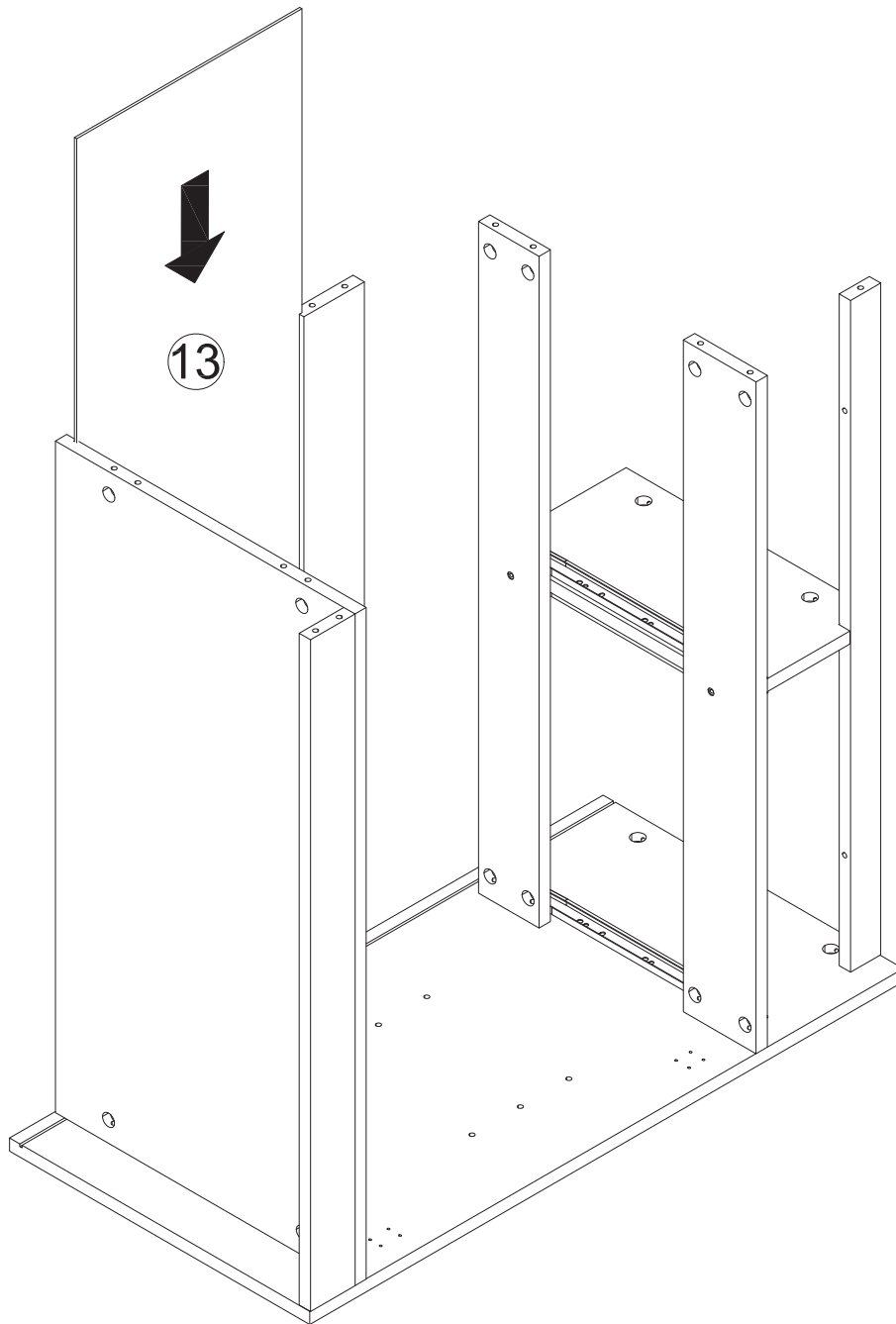
A	x3	C	x2	B	x3
					

05

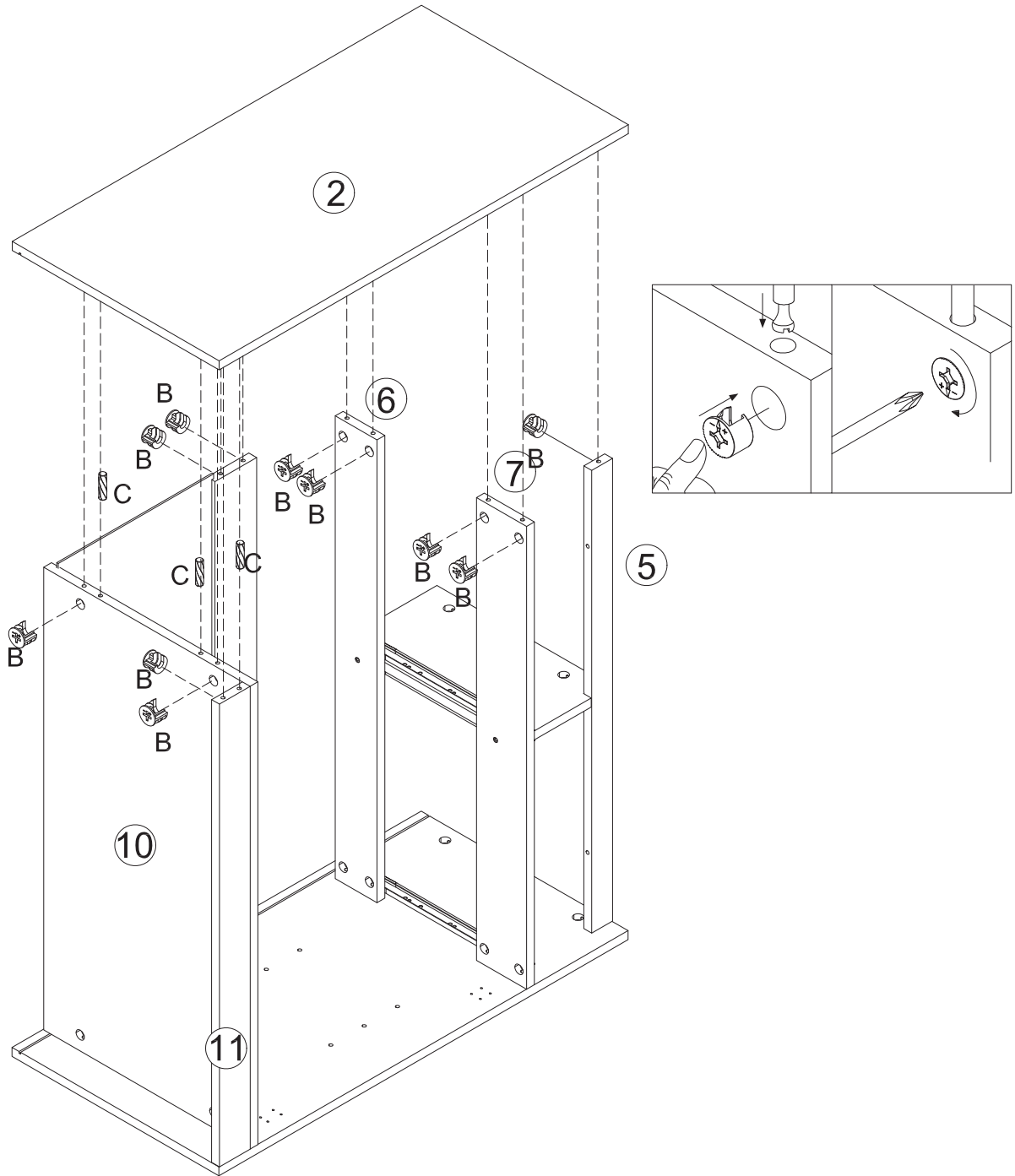




C	x 3	B	x 10
			

06

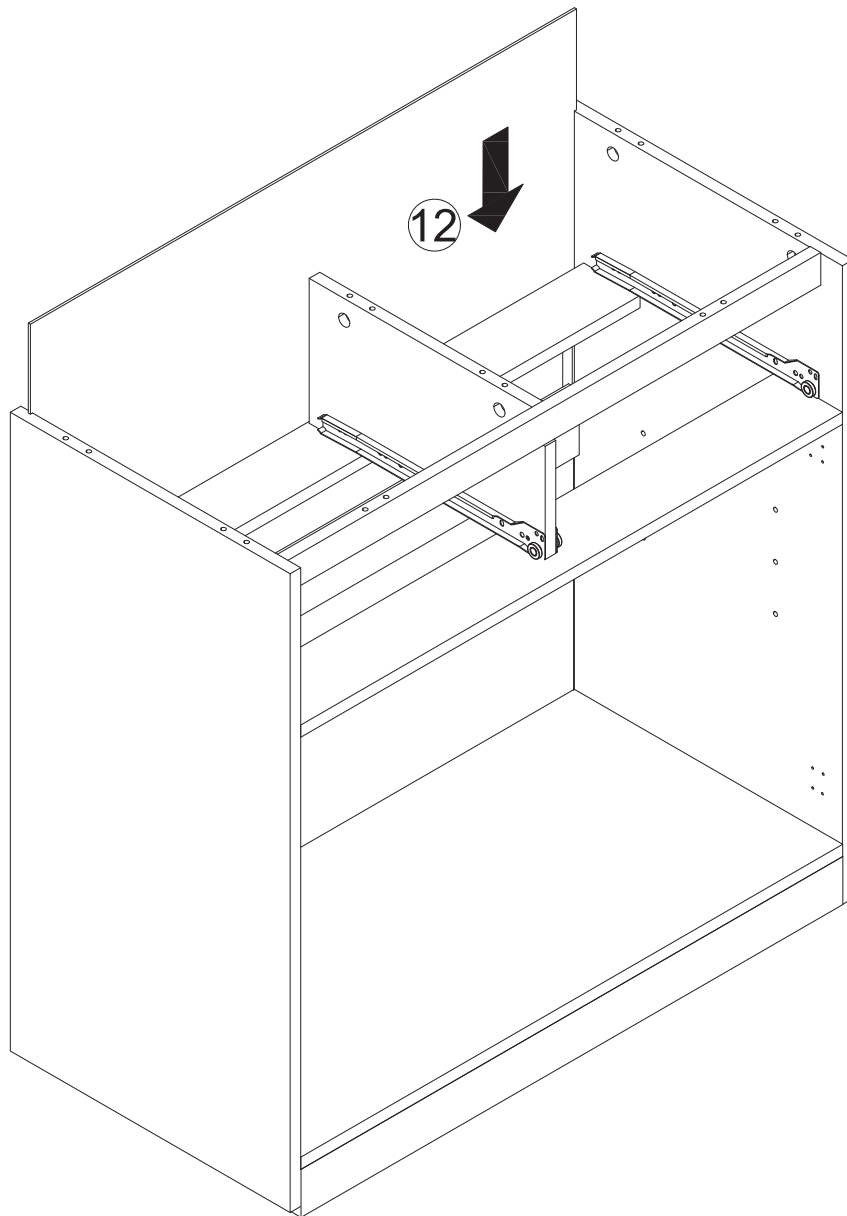


07



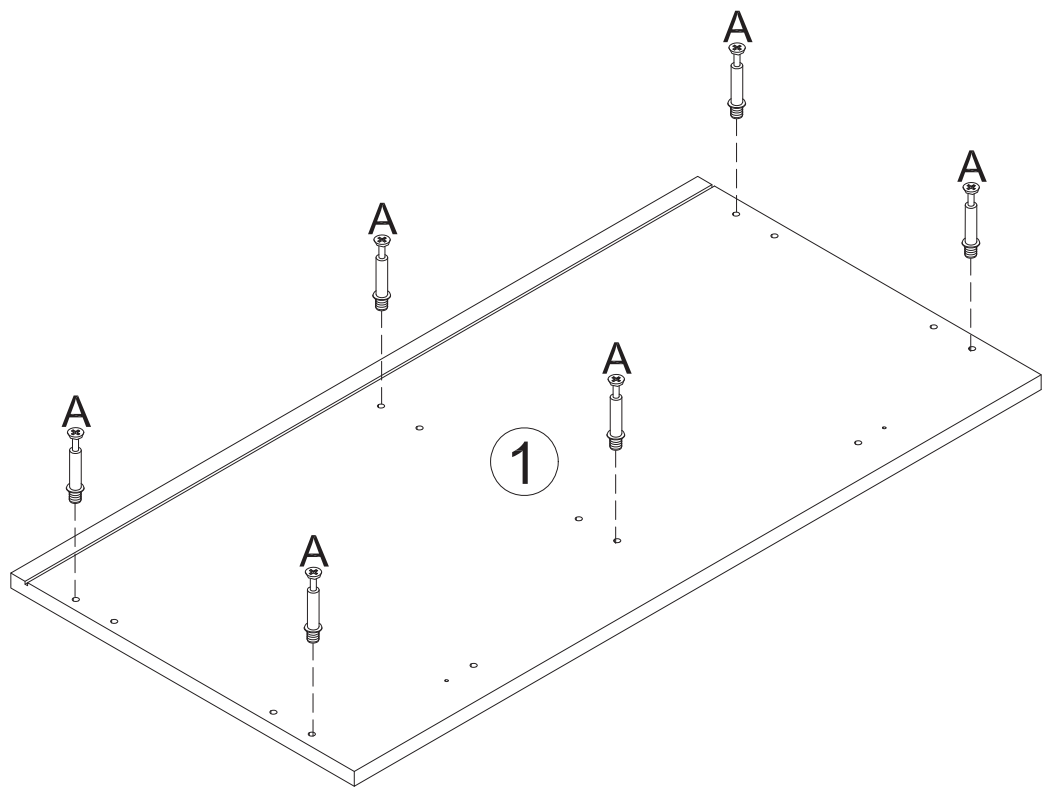
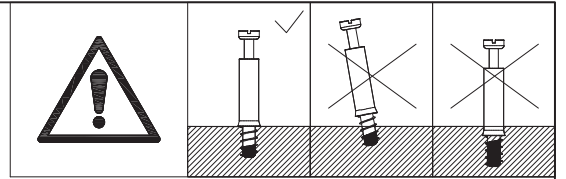
C	x 3	B	x 10
			

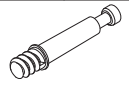
08



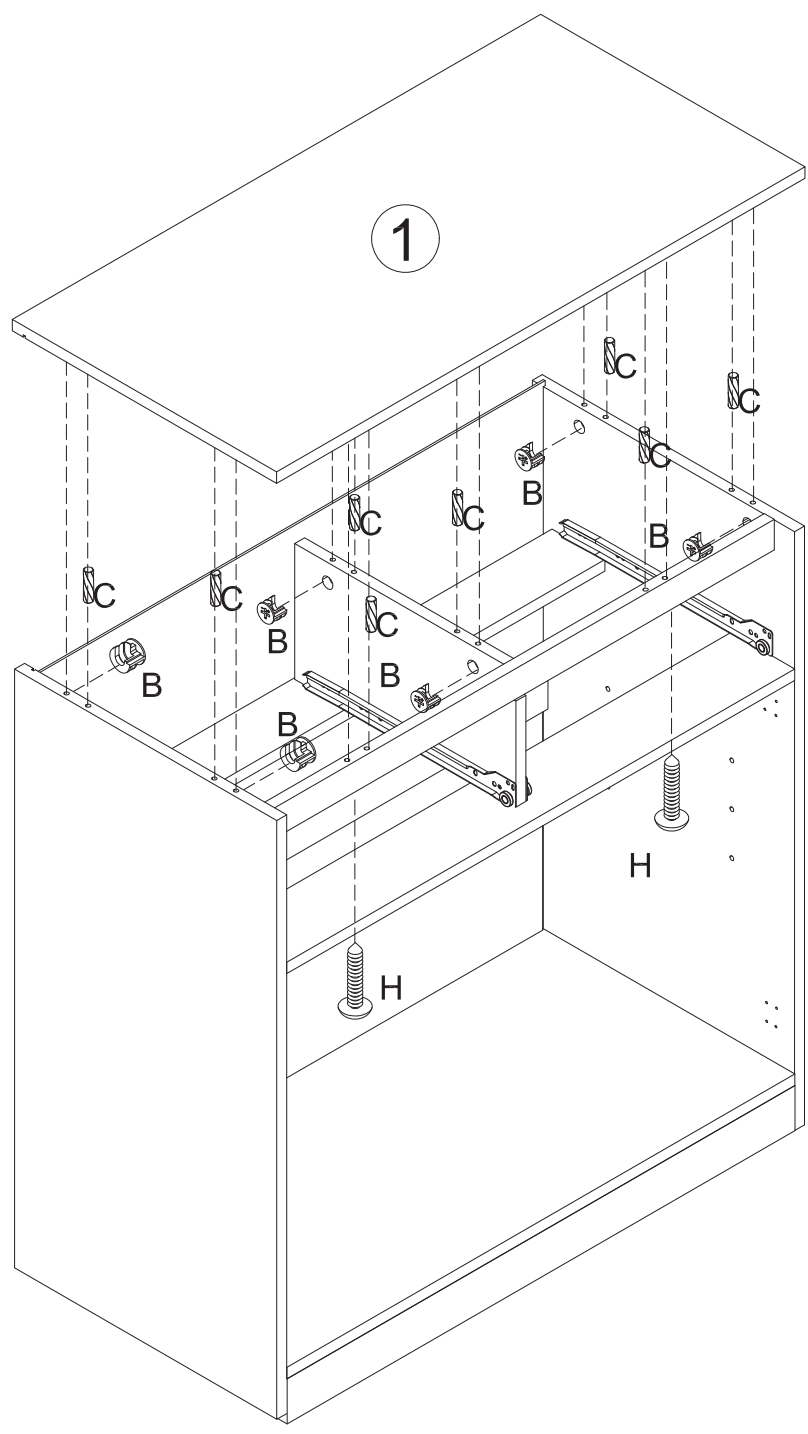
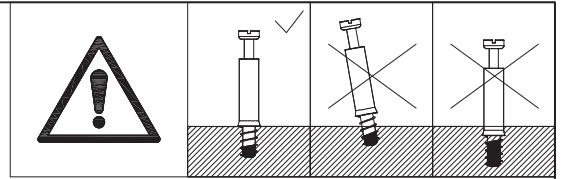
STEP



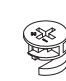
09



A	x6
	

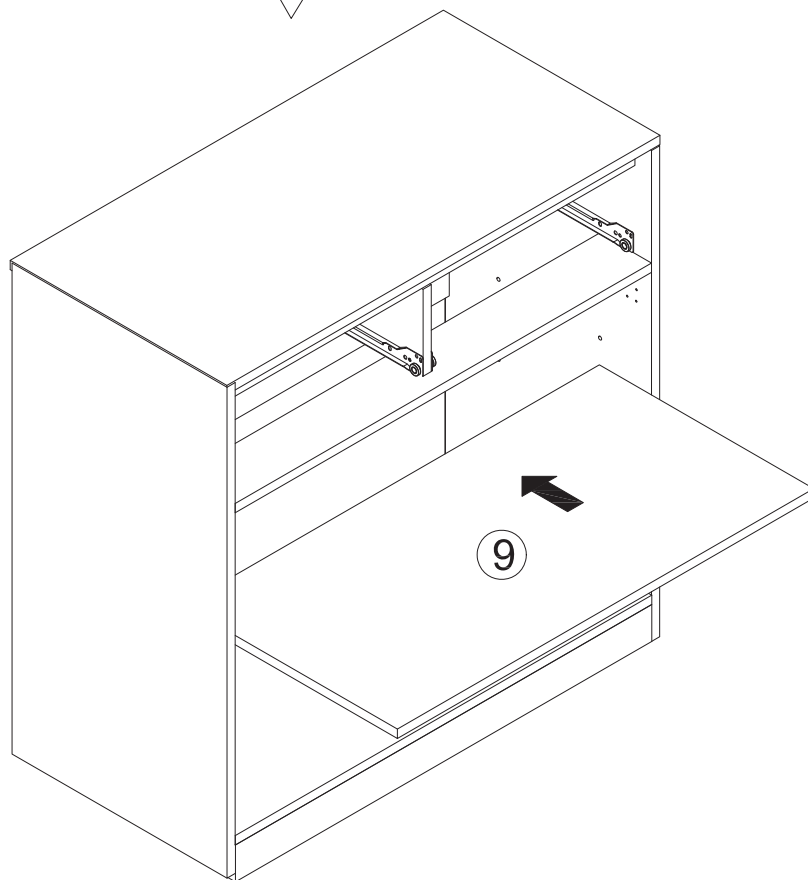
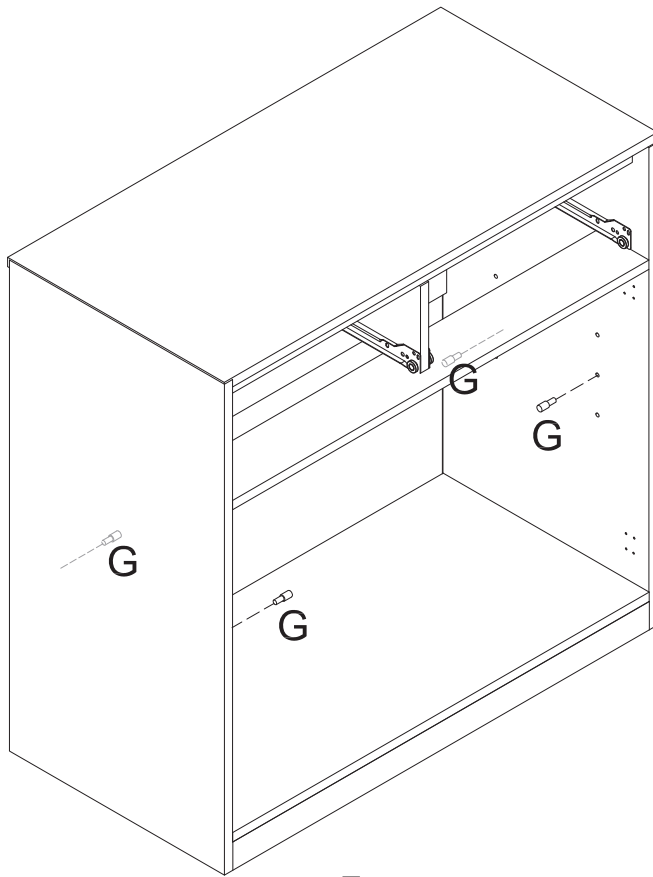
10




H	x2	C	x8	B	x6
					

STEP

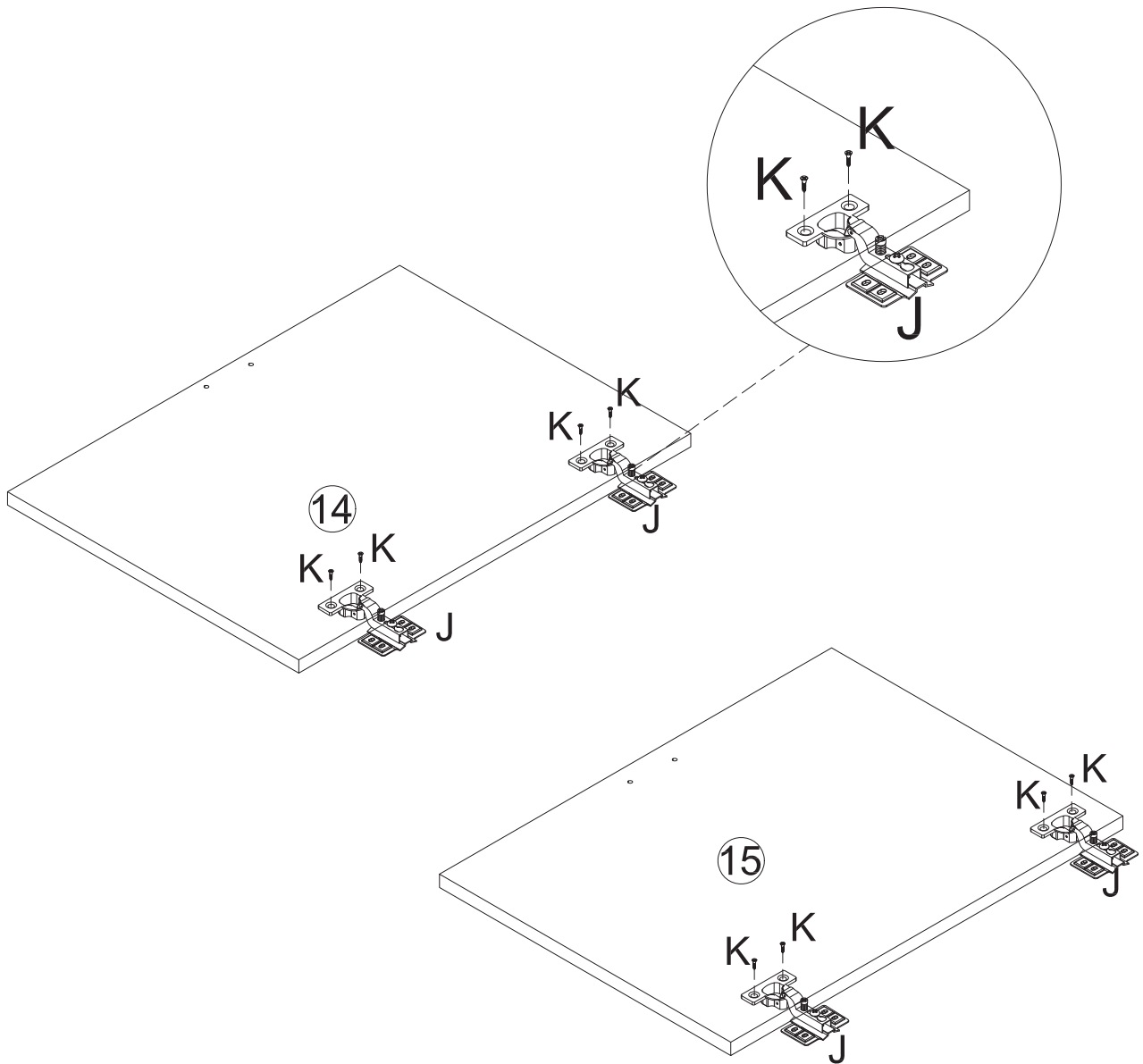
11


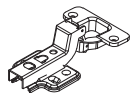


G	x 4
	

13

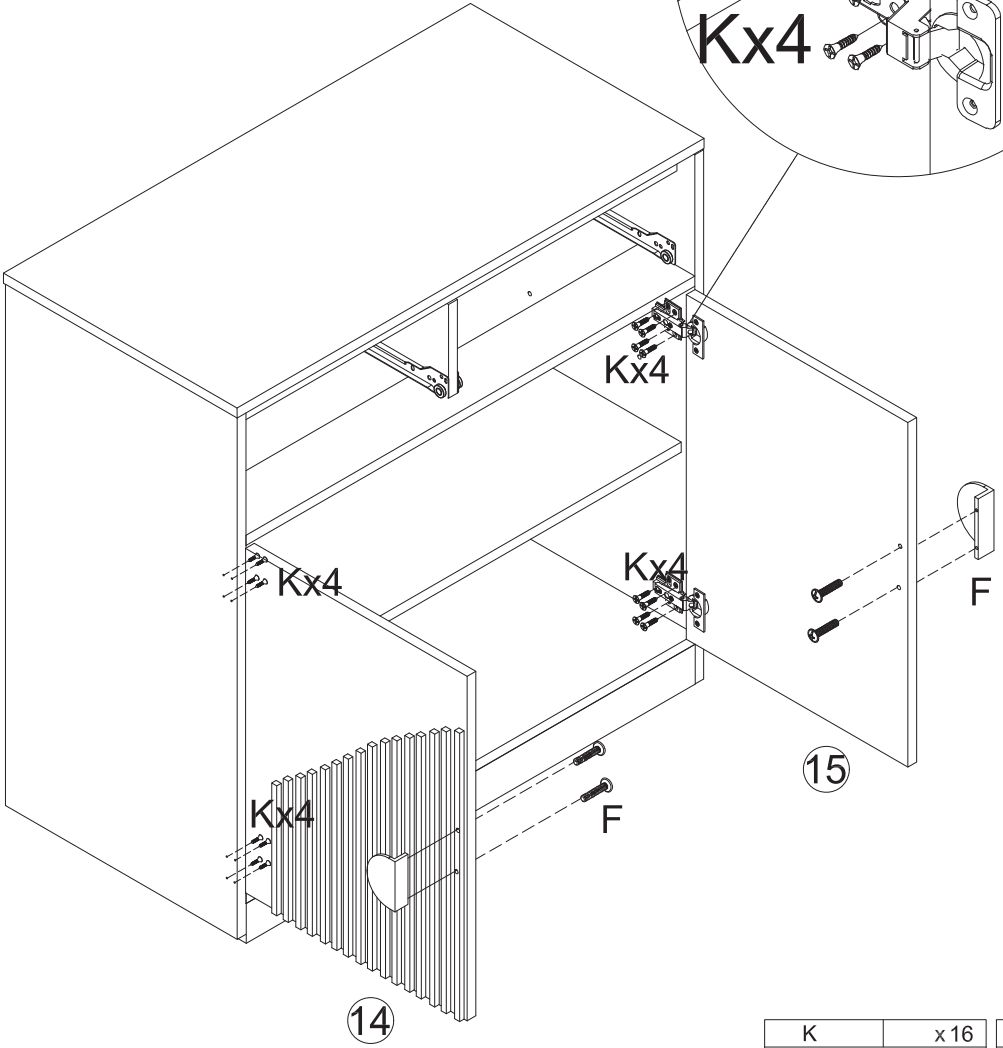
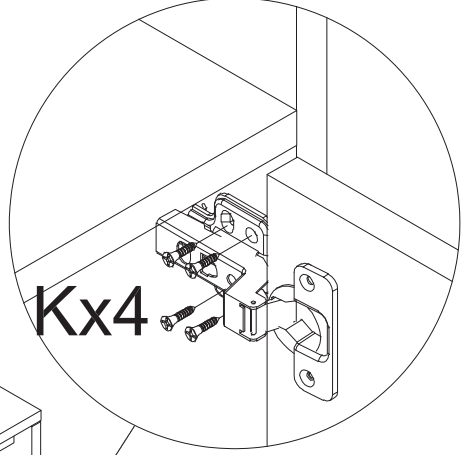
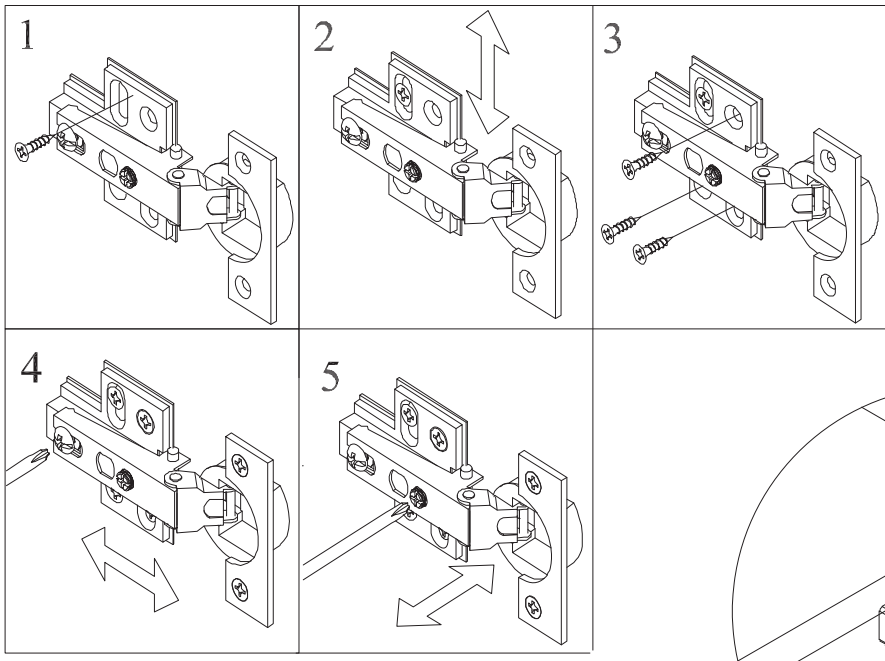
12



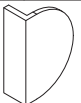


K	x 8	J	x 4
			

STEP

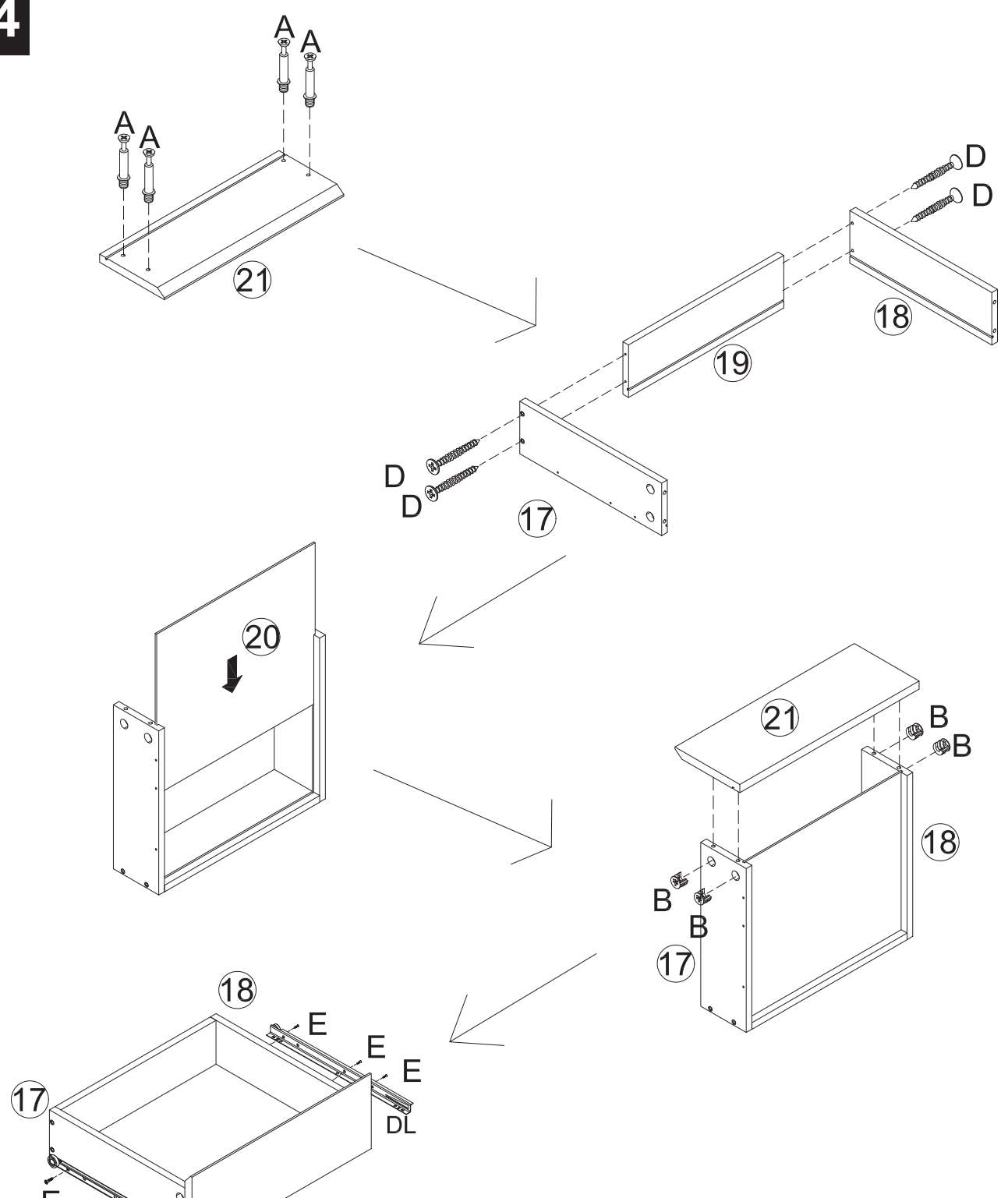
13

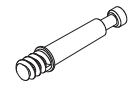
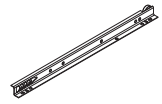






K	x16	F	x2
			

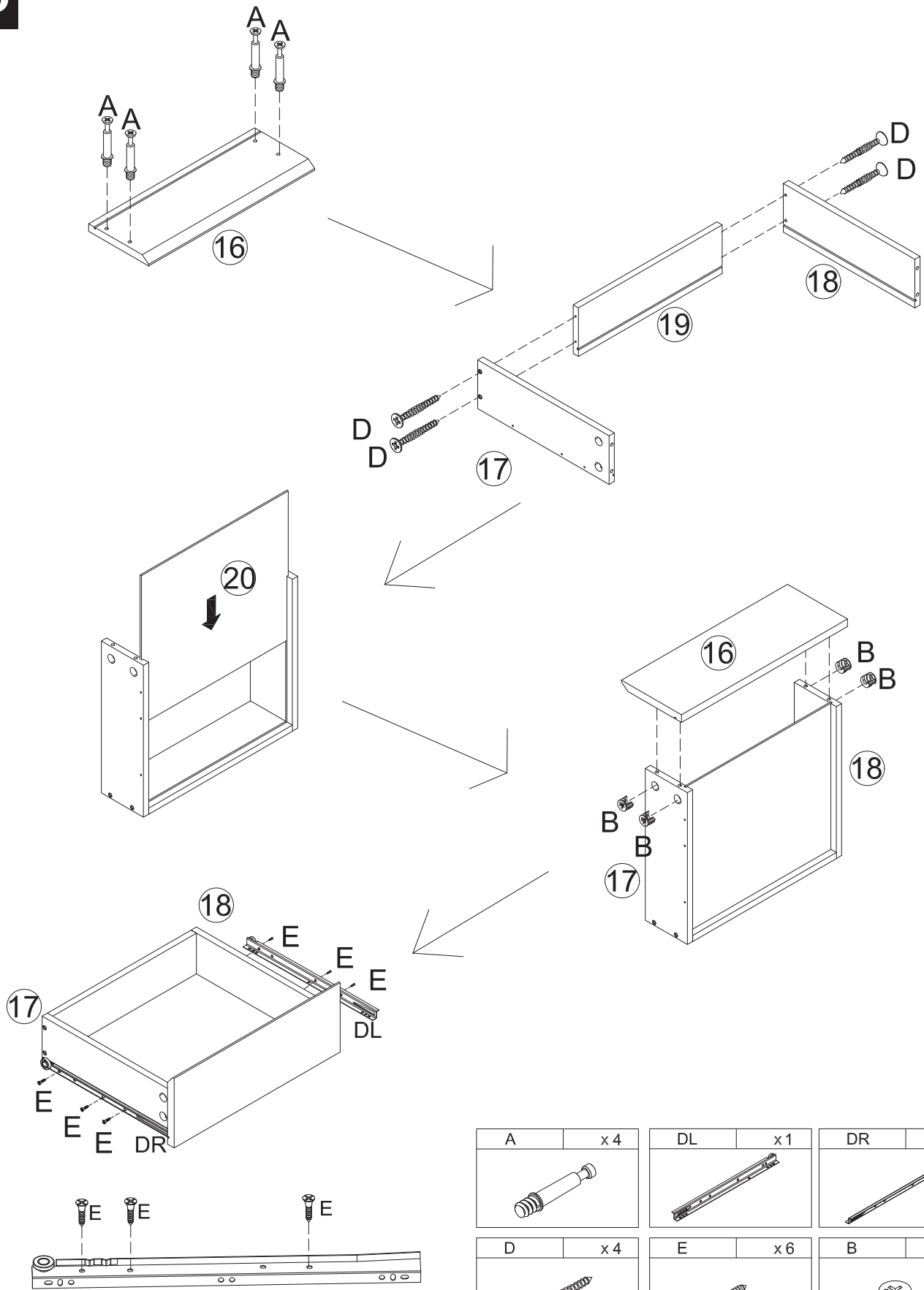
15

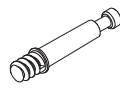
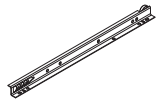
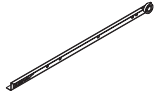



14



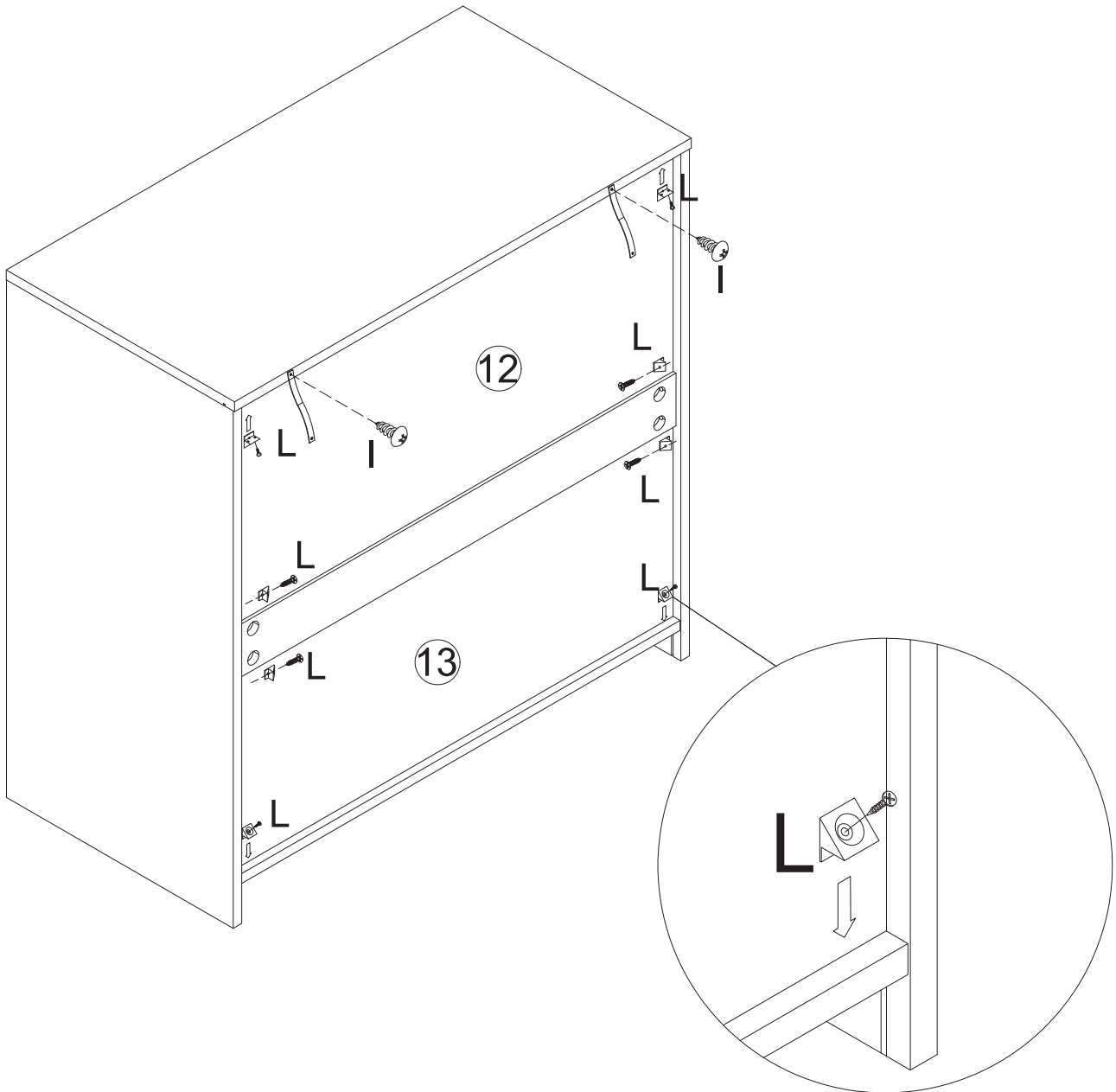
A	x 4	DL	x 1	DR	x 1
					
D	x 4	E	x 6	B	x 4
					




15



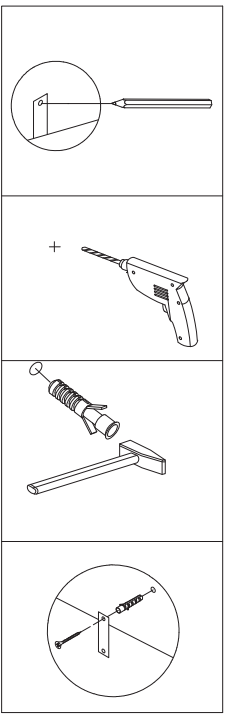
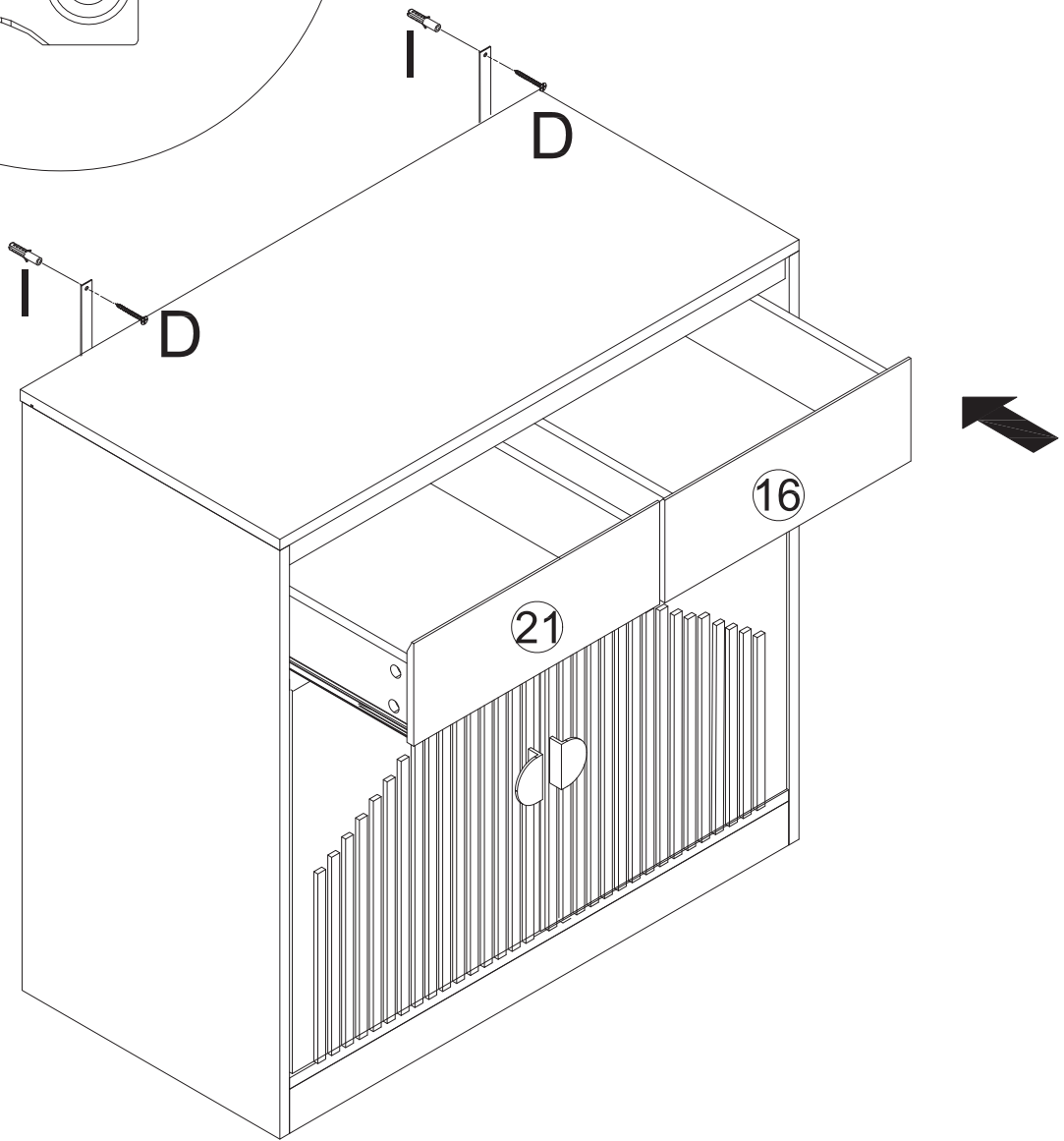
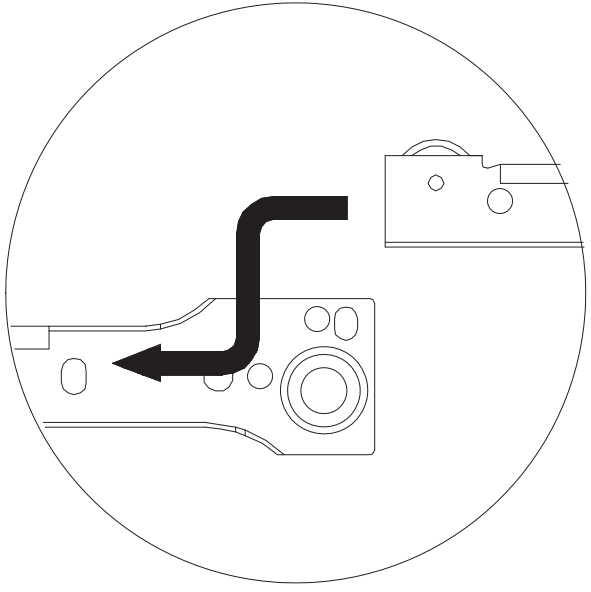
A	x 4	DL	x 1	DR	x 1
					
D	x 4	E	x 6	B	x 4
					



16



L	x8	I	x2
			

17



D	x2	I	x2
			

EN

AFTER-SALE SERVICE

If you have any suggestions for our products or notice any quality issues, please contact us first. Our after-sales team will respond within 24 hours and will do everything possible to provide you with a satisfactory solution.

Guaranteed Customer Service

Your shopping experience is very important to us!

Feel unsatisfied? **Contact us!**

Have any questions? **Contact us!**

Wanna Share how wonderful our smart products make your home?

Share your pictures with us.

Any suggestions? **Contact us!**

We will check and give feedback.