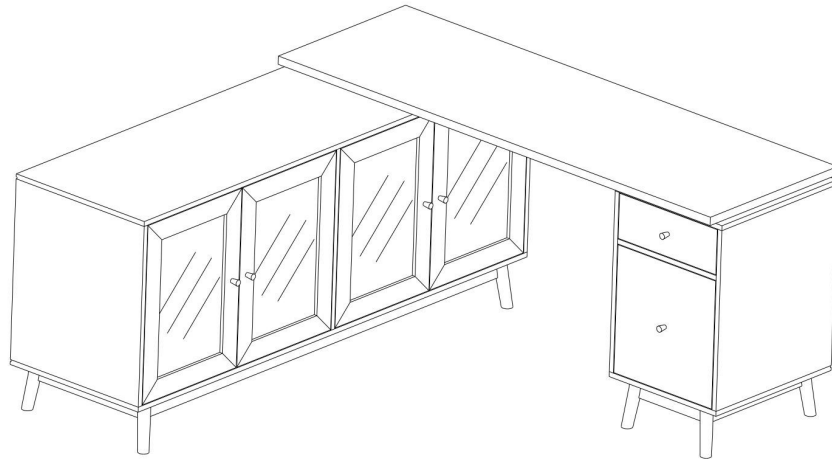


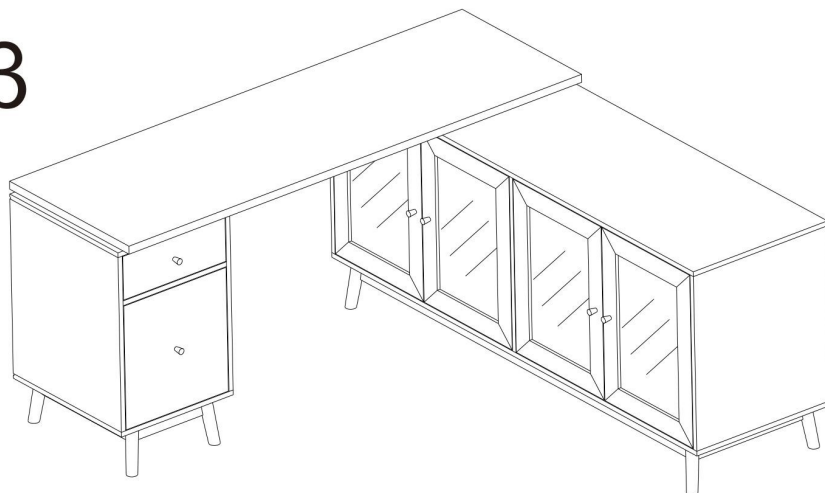
Bookcase

Assembly Instructions - Please keep for future reference

α



β



Tip : This product can only choose one installation method (α or β), and does not support subsequent replacement, otherwise the holes left by the first installation will affect the appearance.

Important – Please read these instructions fully before starting assembly

Safety and Care Advice

Important – Please read these instructions fully before starting assembly

- Check you have all the components and tools listed on the following pages.
- Remove all fittings from the plastic bags and separate them
- Keep children and animals away from the work area, small parts could choke if swallowed.
- Make sure you have enough space to layout the parts before

- During assembly do not stand or put weight on the product, this could cause damage.
- Assemble the item as close to its final position (in the same room) as possible.
- Assemble on a soft level surface to avoid damaging the unit or your floor.
- Parts of the assembly will be easier with 2 people.



- To reduce the likelihood of damaging your product please ensure that your power drill is set on a low torque setting.

Care and maintenance

- Only clean using a damp cloth and mild detergent, do not use bleach or abrasive cleaners.
- From time to time check that there are no loose screws on this unit.
- This product should not be discarded with household waste. Take to your local authority waste disposal centre.

Handy Hints

- Assemble all parts and bolts loosely during assembly, only once the product is complete should you fully tighten the bolts
- Regularly check and ensure That all bolts and fittings are tightend properly.

WARNING In order to help prevent overturning – please follow these instructions

To help prevent product toppling over please follow the below steps:-

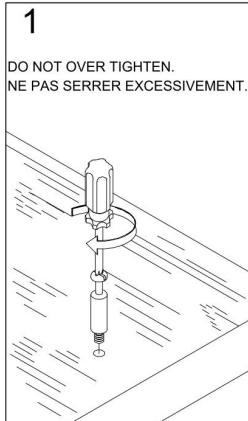
Use the anti tip stap or wall fixing method provided (if applicable)
Do not allow children to climb or hang on the furniture
Do not open more than one drawer at a time
Do not place heavy items in the top drawers
Do not place heavy items on top of the furniture, unless the furniture has been designed for this purpose

please note that only the anti tip strap is provided.
You will need to provide wall plugs and screws applicable for your wall type

Using Camlocks

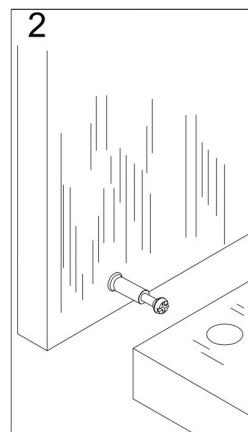
Step 1

Connect the male camlock as directed in the assembly instructions using a screwdriver.



Step 2

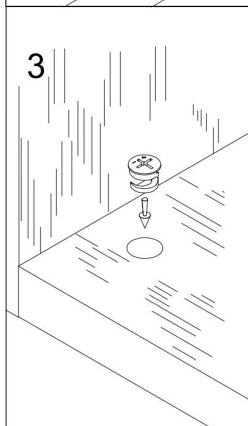
Push the male camlock into the entry hole.



Step 3

Insert the female camlock as shown in the instruction.

Note: ensure that the arrow on the top of the camlock points towards the entry hole for the male camlock.

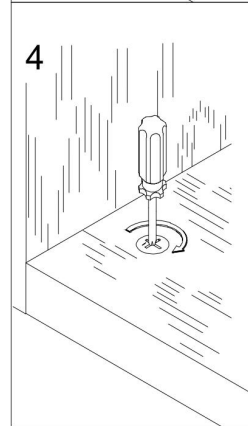


Step 4

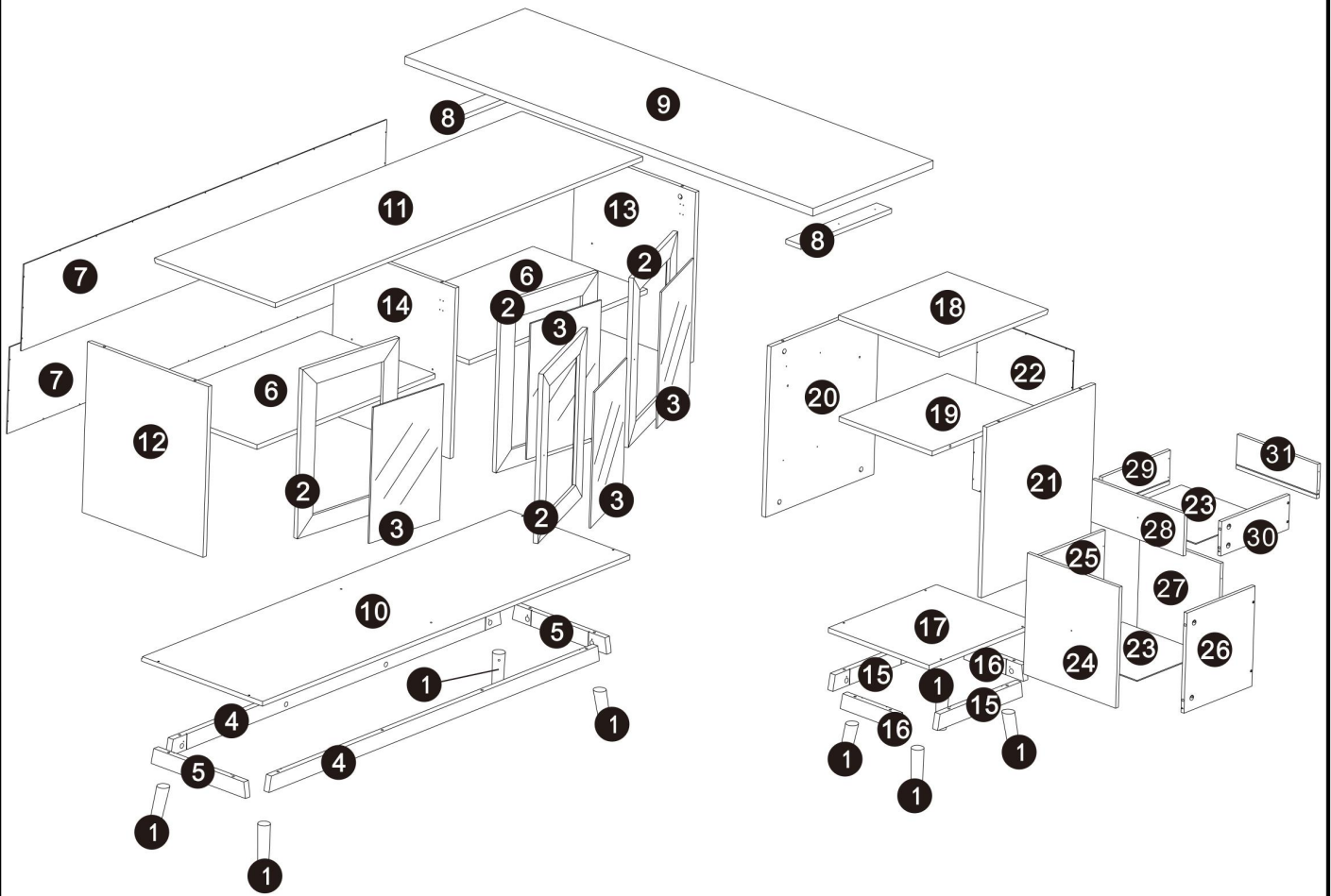
Turn the female camlock clockwise with a screwdriver.

You should feel a click when the camlock is locked in place.





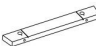

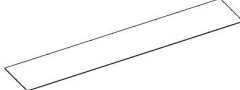


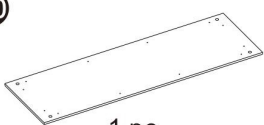




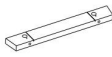
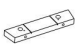




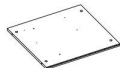










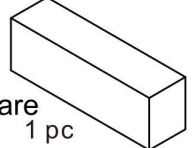
The joint is now secure.



Assembly Instructions








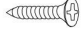




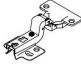





Part List:

<p>1</p>  <p>8 pcs</p>	<p>2</p>  <p>4 pcs</p>	<p>3</p>  <p>4 pcs</p>	<p>4</p>  <p>2 pcs</p>
<p>5</p>  <p>2 pcs</p>	<p>6</p>  <p>2 pcs</p>	<p>7</p>  <p>2 pcs</p>	<p>8</p>  <p>2 pcs</p>
<p>9</p>  <p>1 pc</p>	<p>10</p>  <p>1 pc</p>	<p>11</p>  <p>1 pc</p>	<p>12</p>  <p>1 pc</p>
<p>13</p>  <p>1 pc</p>	<p>14</p>  <p>1 pc</p>	<p>15</p>  <p>2 pcs</p>	<p>16</p>  <p>2 pcs</p>
<p>17</p>  <p>1 pc</p>	<p>18</p>  <p>1 pc</p>	<p>19</p>  <p>1 pc</p>	<p>20</p>  <p>1 pc</p>
<p>21</p>  <p>1 pc</p>	<p>22</p>  <p>1 pc</p>	<p>23</p>  <p>2 pcs</p>	<p>24</p>  <p>1 pc</p>
<p>25</p>  <p>1 pc</p>	<p>26</p>  <p>1 pc</p>	<p>27</p>  <p>1 pc</p>	<p>28</p>  <p>1 pc</p>
<p>29</p>  <p>1 pc</p>	<p>30</p>  <p>1 pc</p>	<p>31</p>  <p>1 pc</p>	<p>Hardware</p>  <p>1 pc</p>

Hardware list:

Please check you have all the panels listed below

Note: The quantitie below are the correct amount to complete the assembly. In some cases more fittings may be supplied than are required.

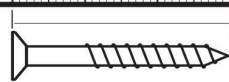
A  Male Camlock(6*34) x 52	B  Female Camlock(15*12) x 52	C  x8
D  Shelf Support Pin x8	E  x2	F  3*12mm Screw x 96
G  Drawer slider 12" x4	H  Handle x6	I  6*50mm Screw x8
J  4*30mm Screw x 18	K  Door Hinge x8	L  3*8mm Screw x48
M  4*20mm Screw x6	N  3*17mm Screw x16	O  x32
 Hex Key M4 x 1		

Tools required

 Phillips screwdriver
(medium & large), This is not include in the hardware.

Ruler - Use this ruler to help correctly identify the screws

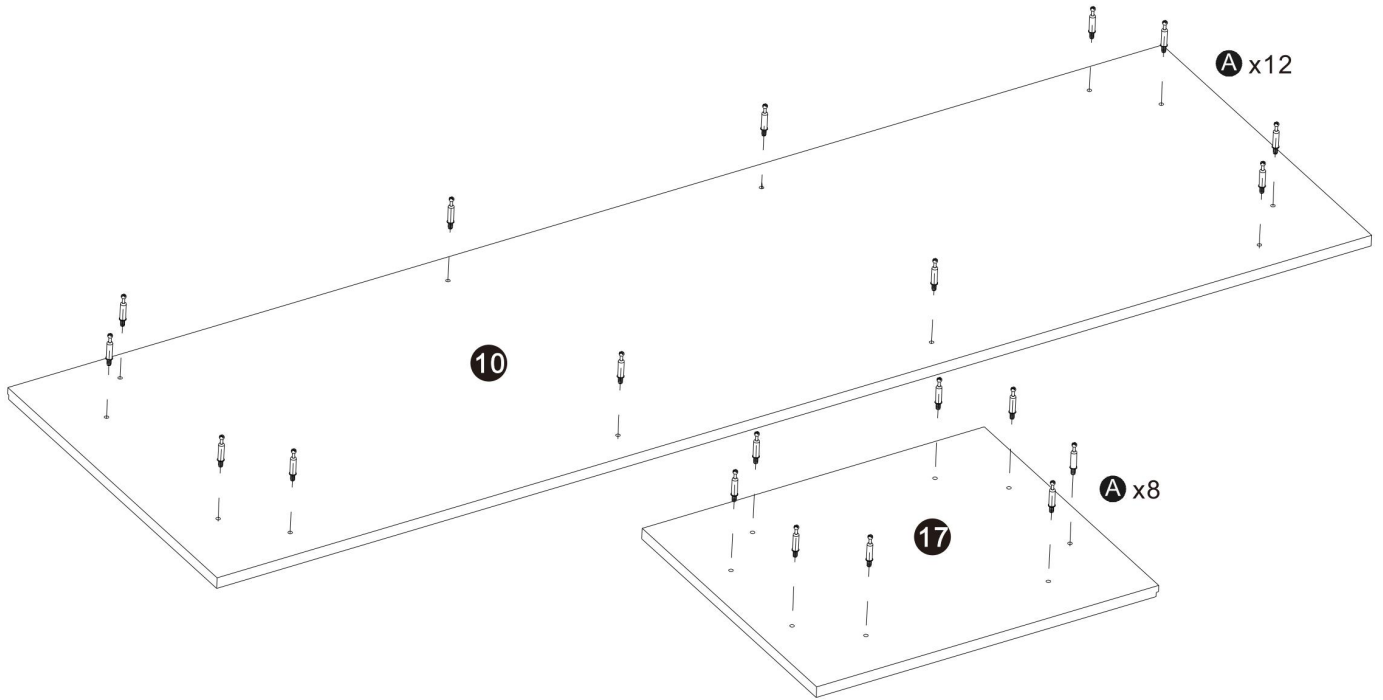
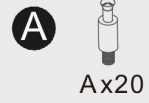
0 5 10 15 20 25 30 35 40 45 50 55 60 65 70 75 80 85 90 95 100 105 110 115 120 125 130 135 140 145 150 155 160 165 170



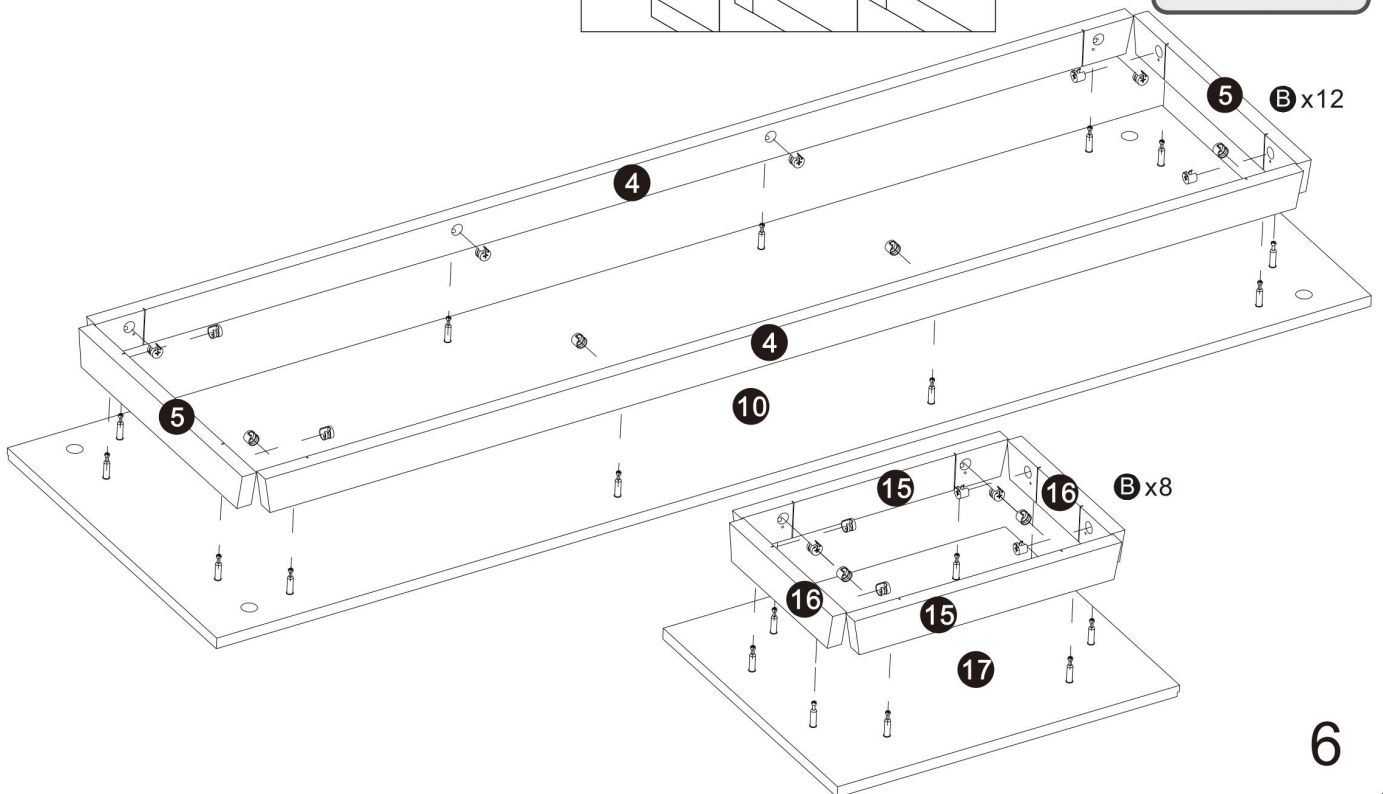
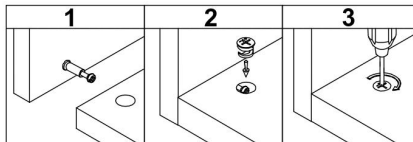
The screws length is measured from the head to the point (30mm screw shown).

Assembly Instructions

Step 1

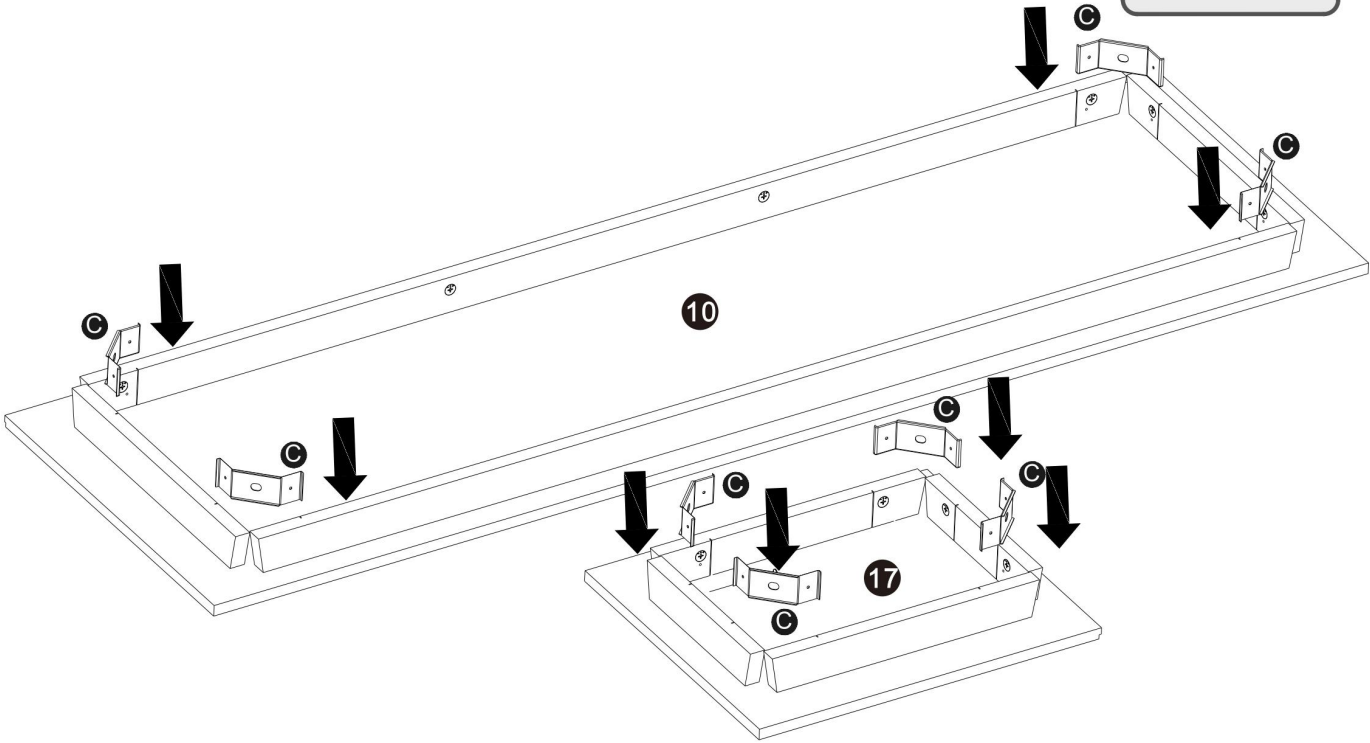
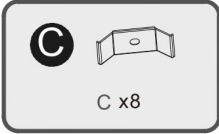


Step 2

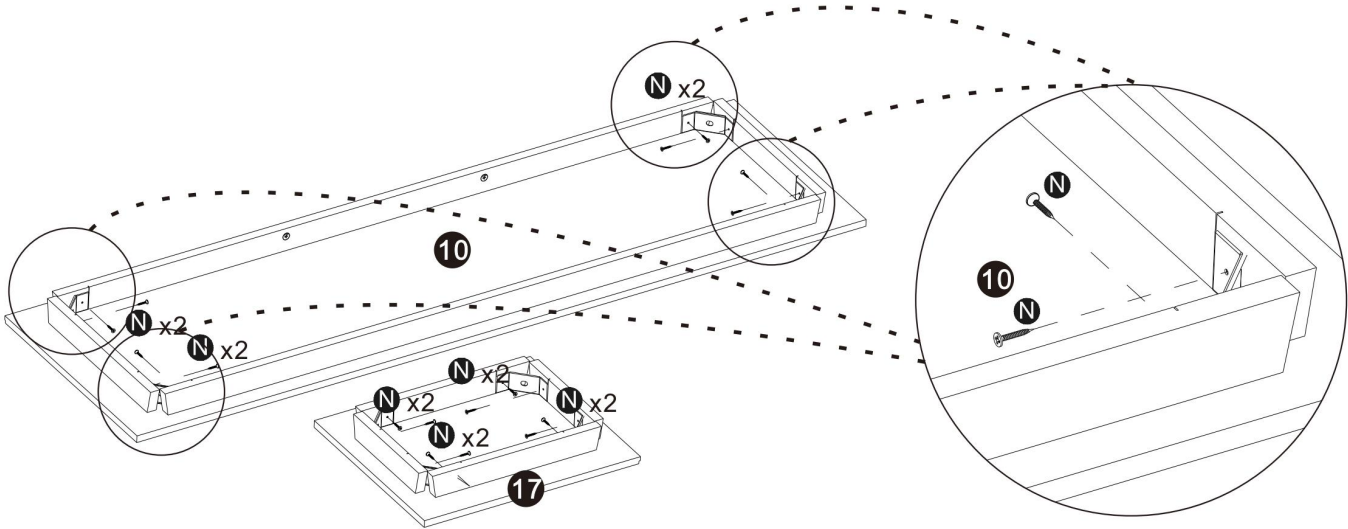


Assembly Instructions

Step 3

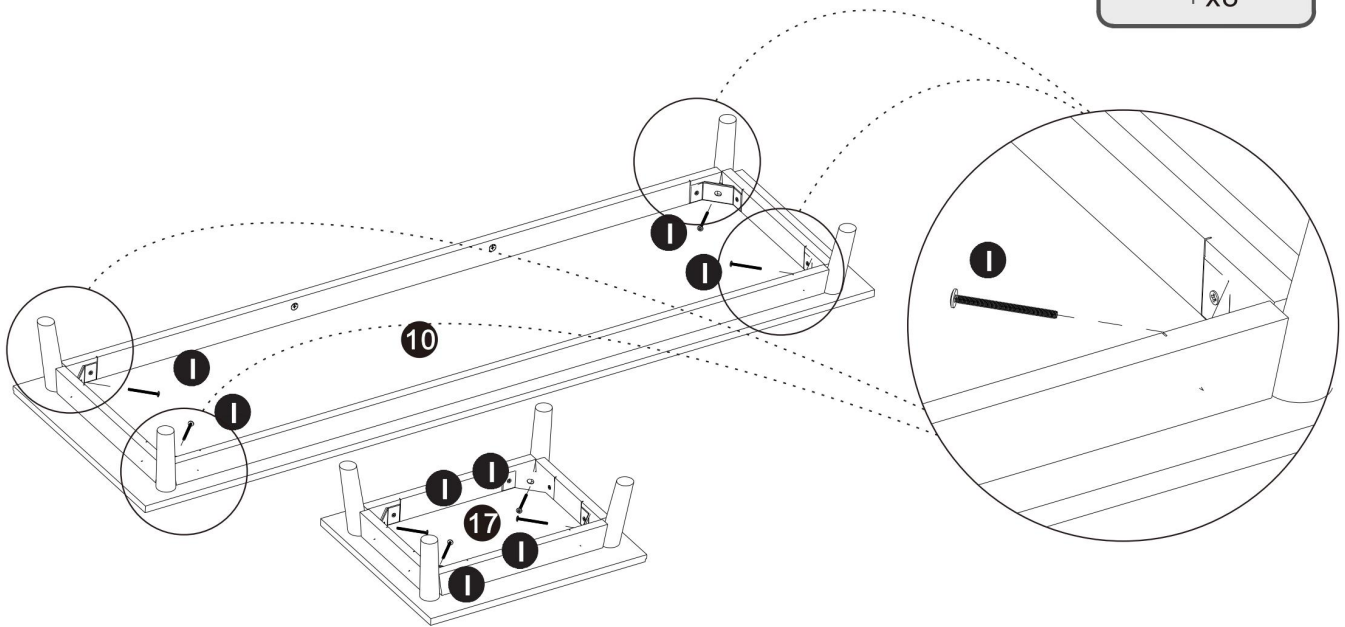
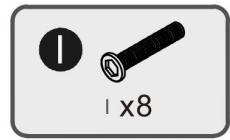


Step 4

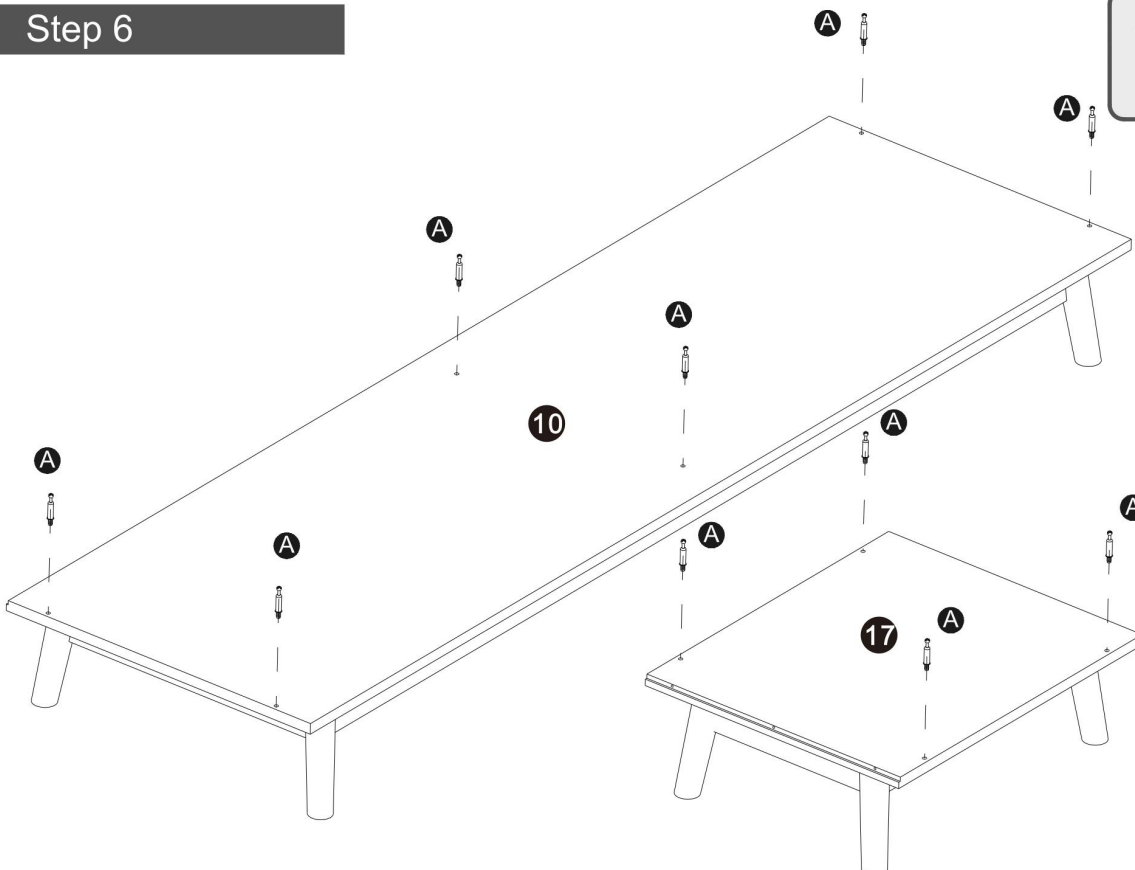
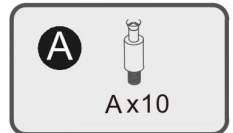


Assembly Instructions

Step 5

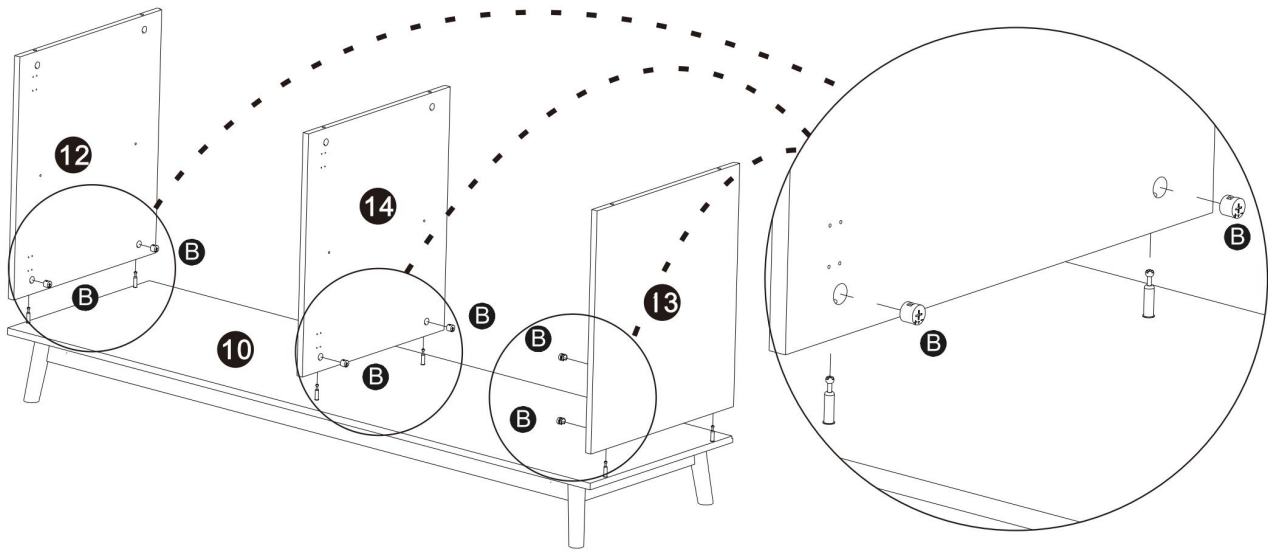
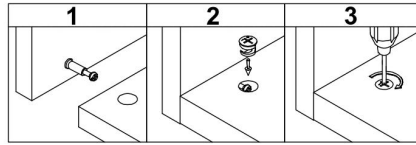


Step 6

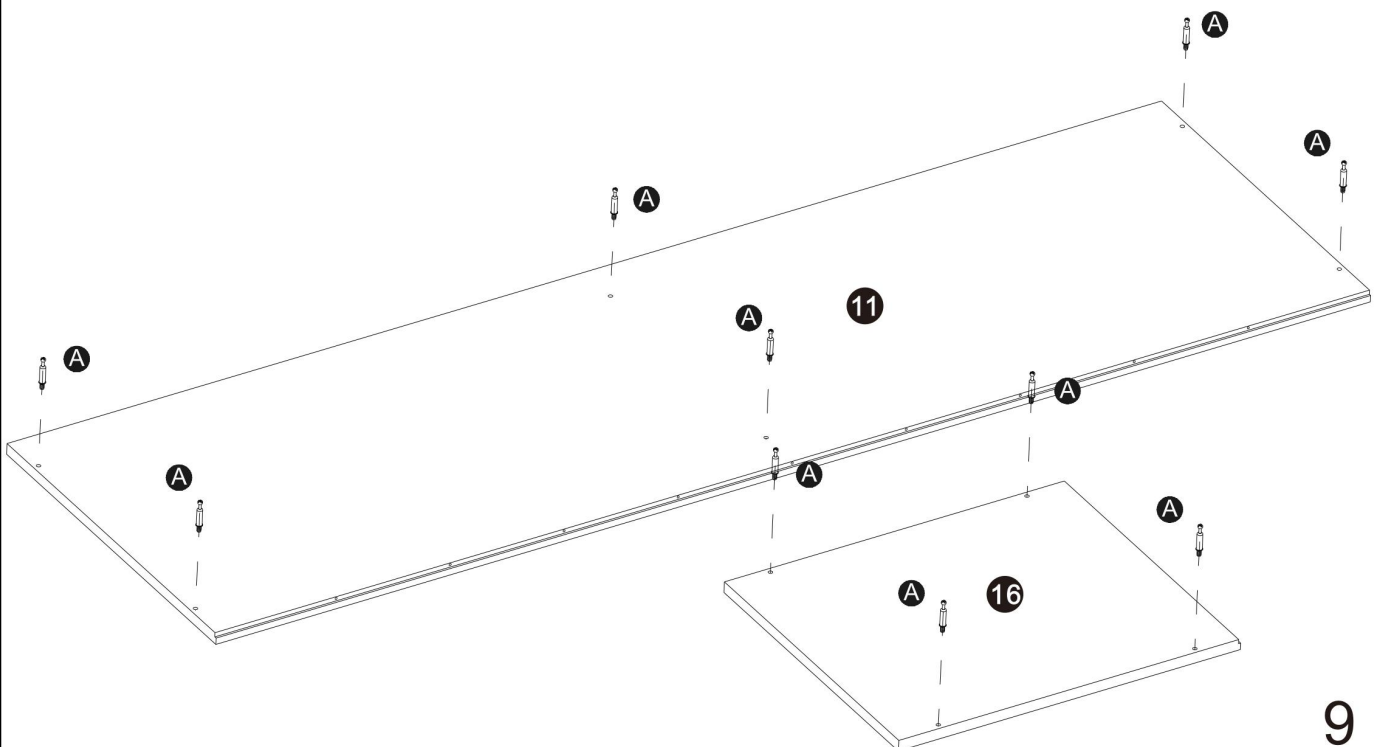
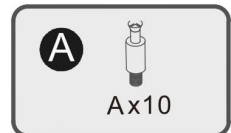


Assembly Instructions

Step 7

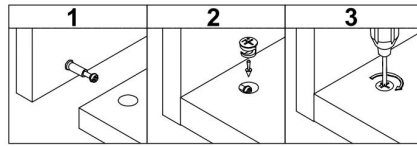


Step 8



Assembly Instructions

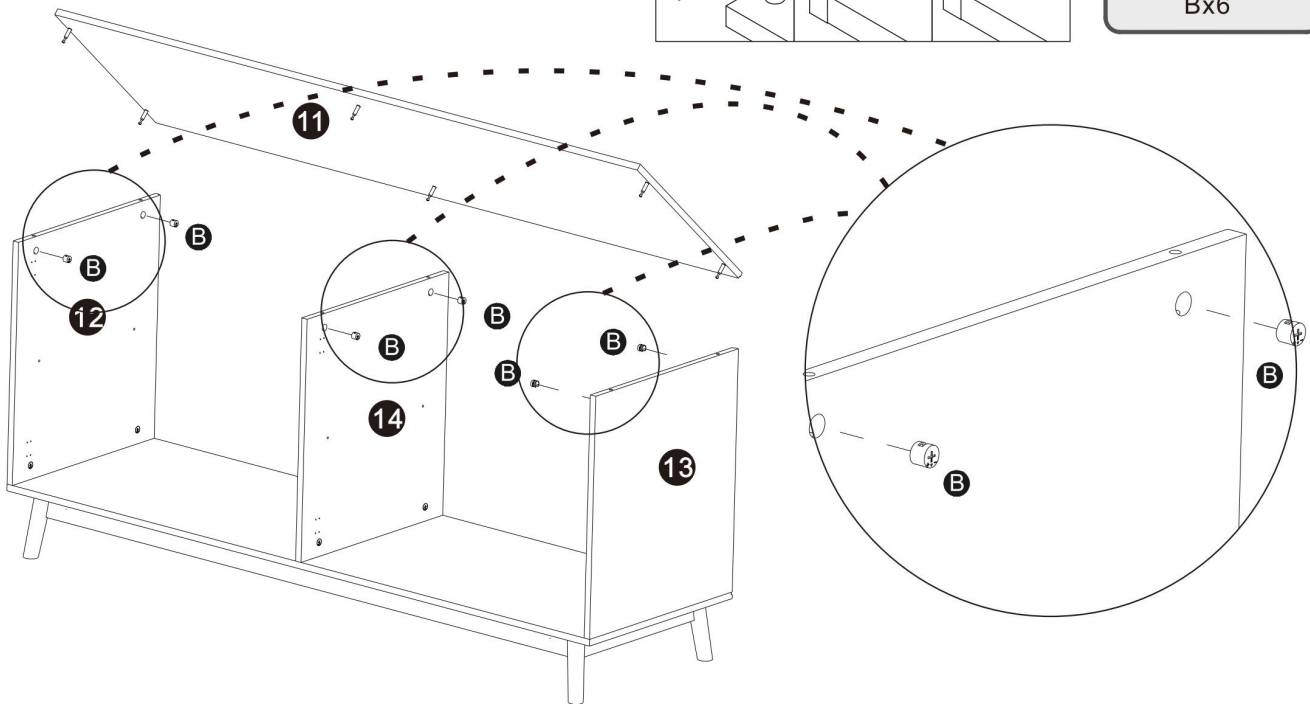
Step 9



B



Bx6



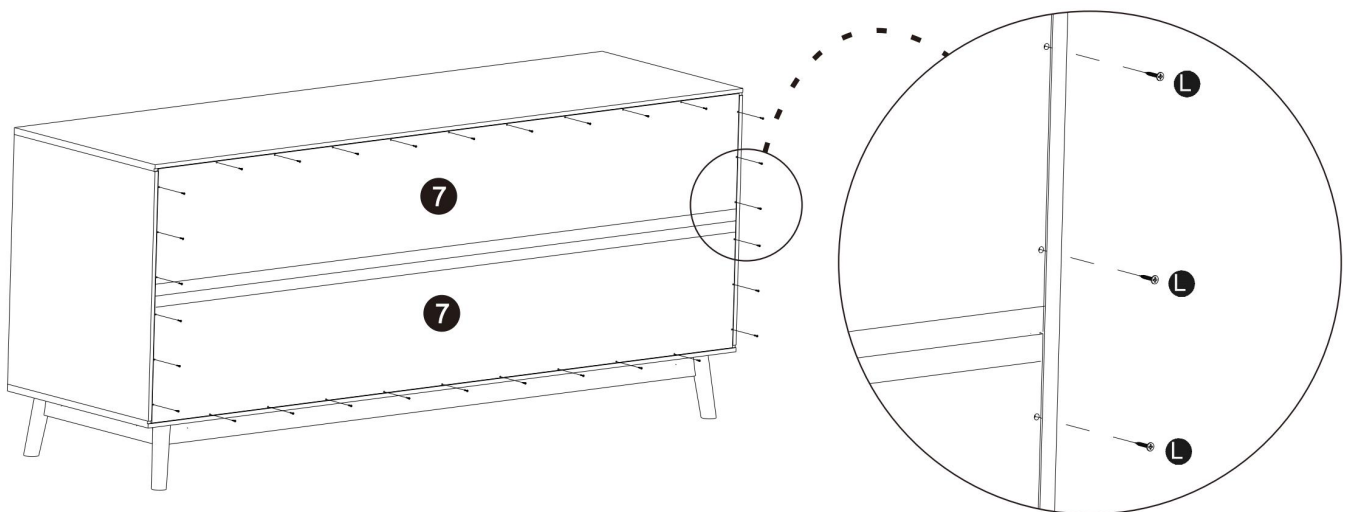
Step 10

L



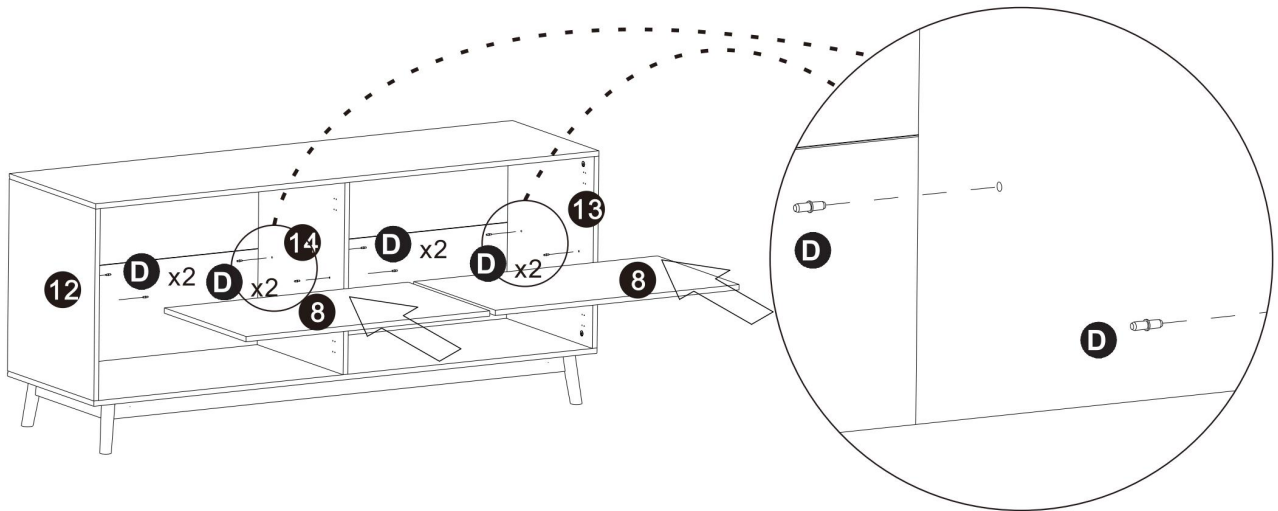
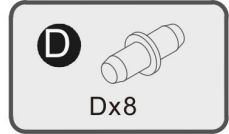
L x30

L x30

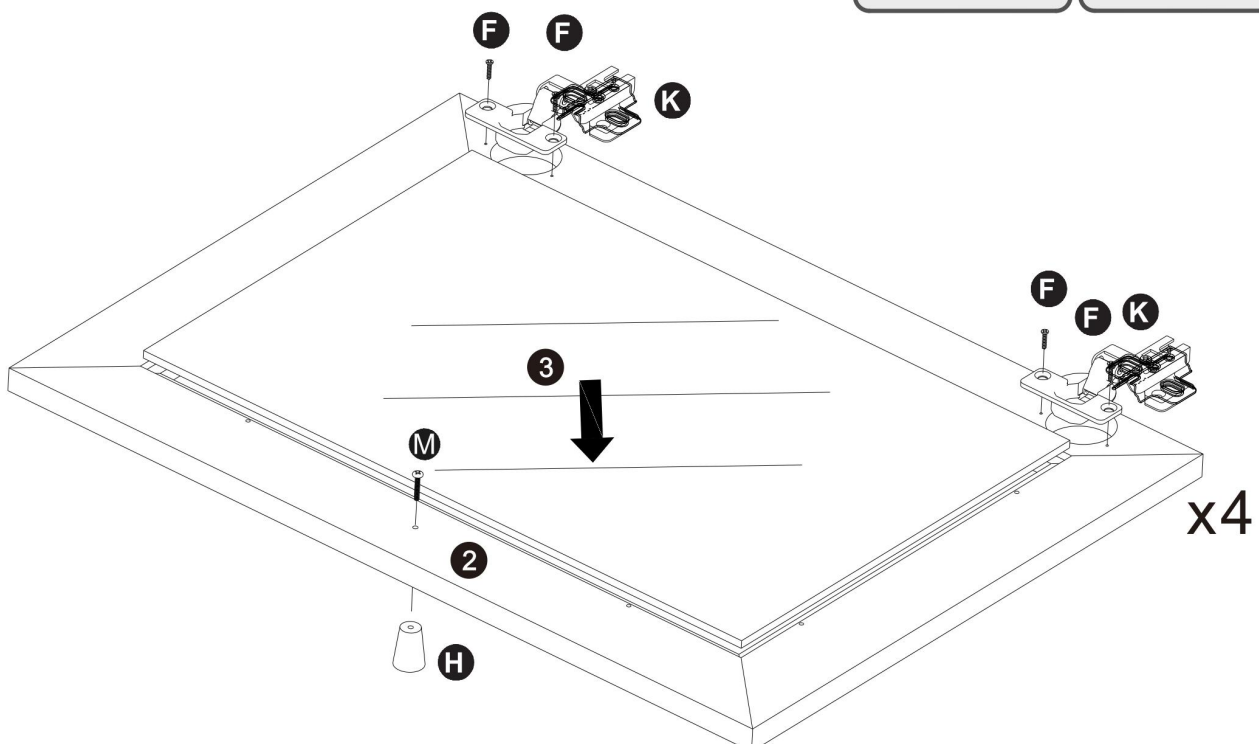
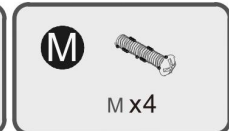


Assembly Instructions

Step 11

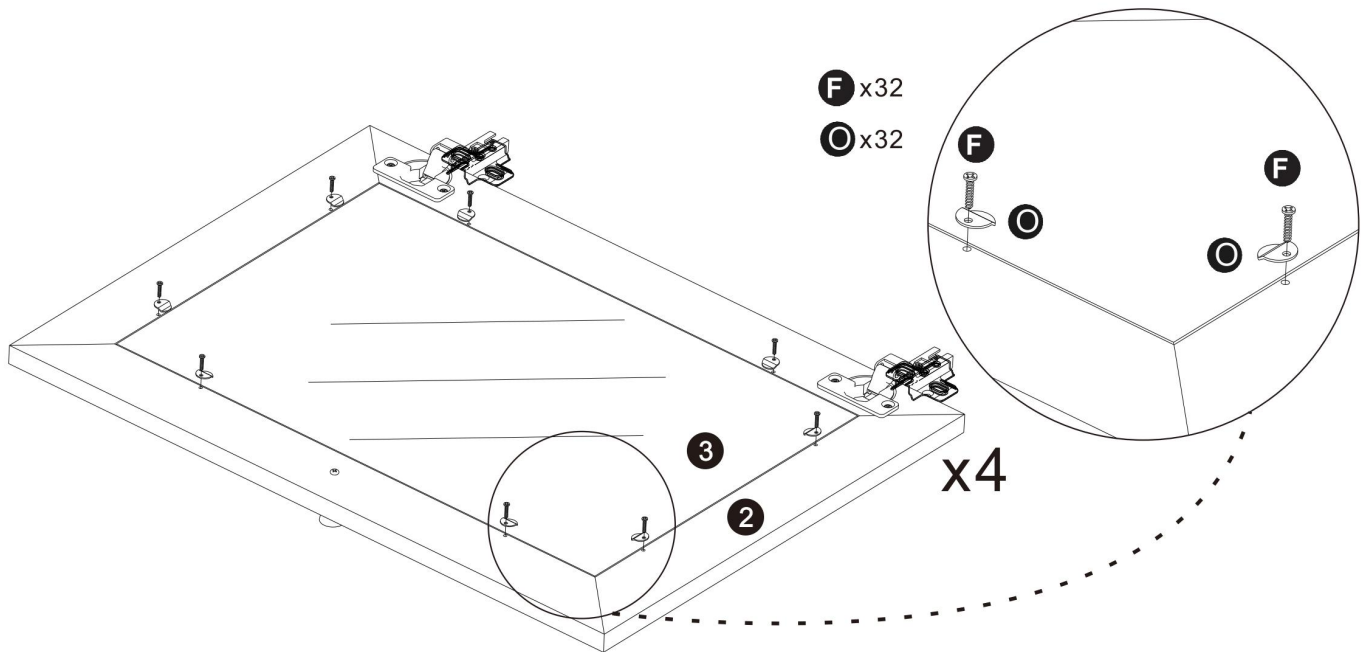
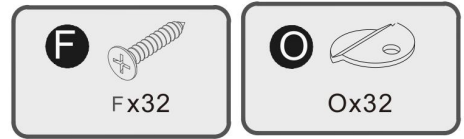


Step 12

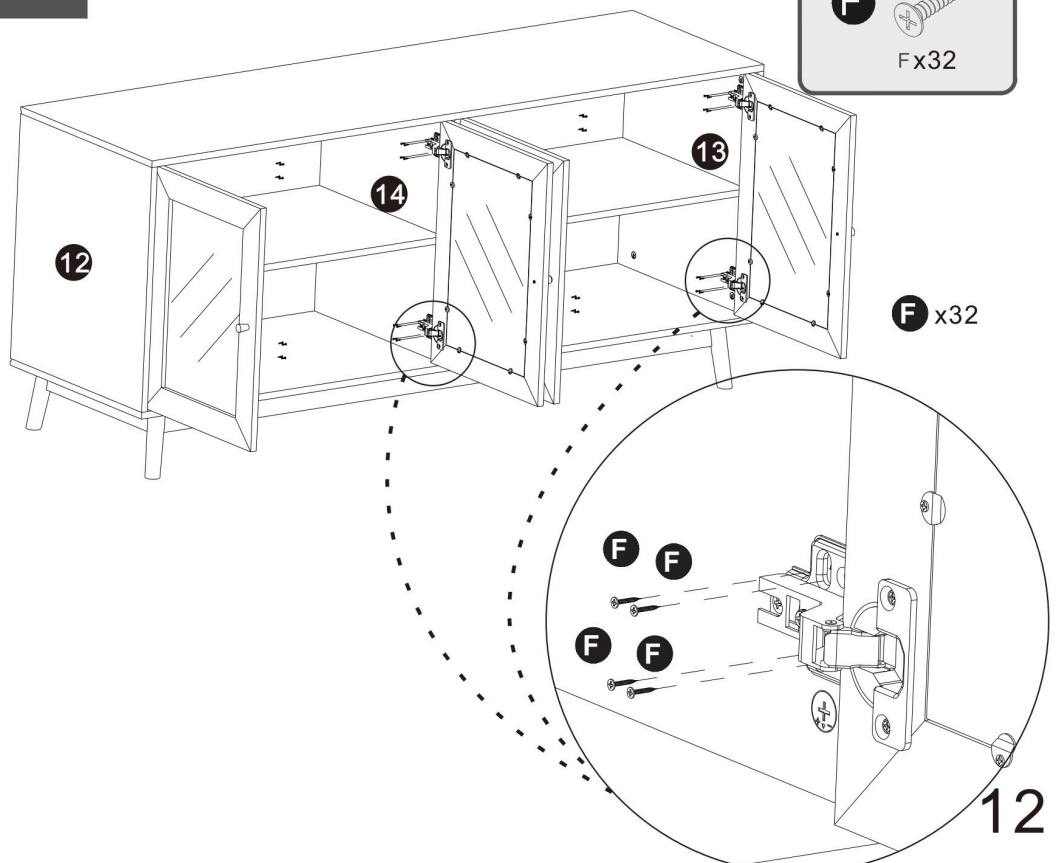
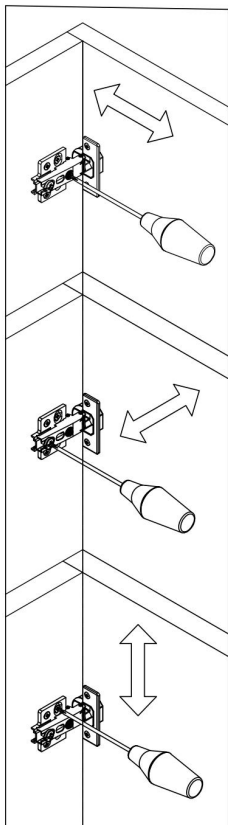


Assembly Instructions

Step 13

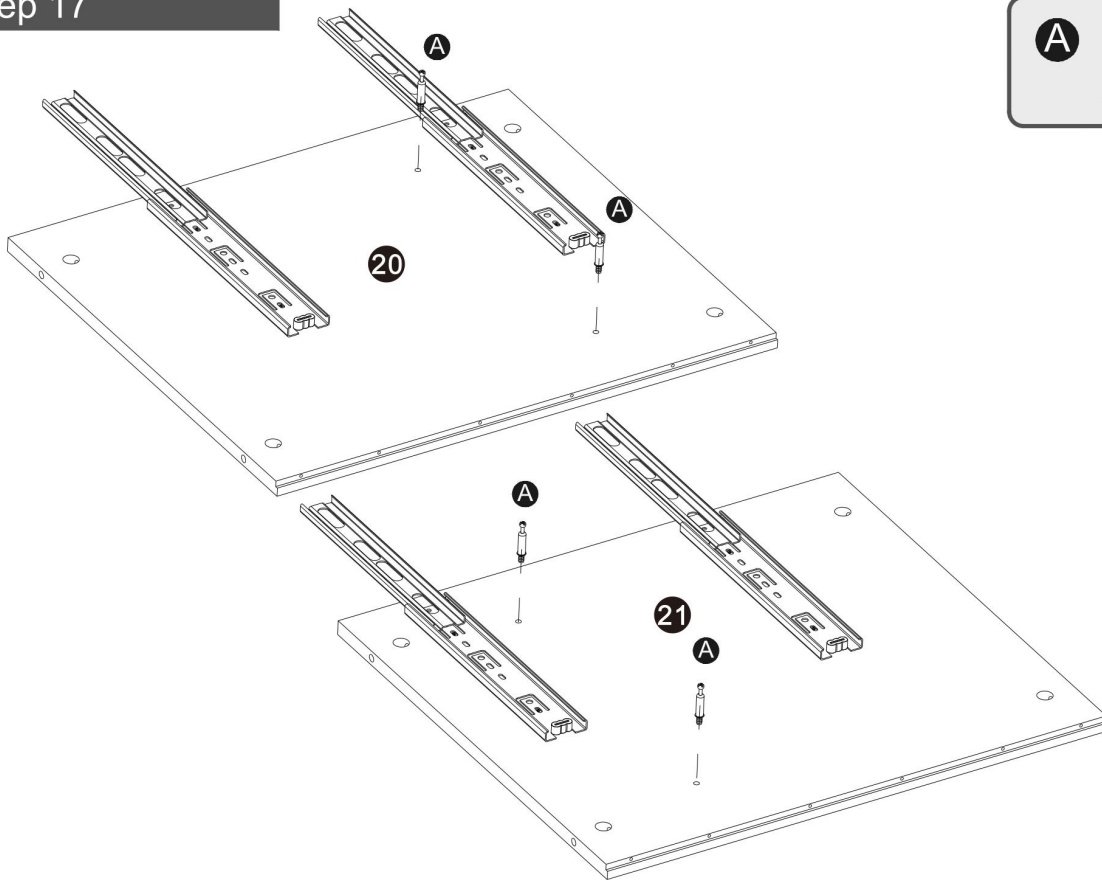


Step 14

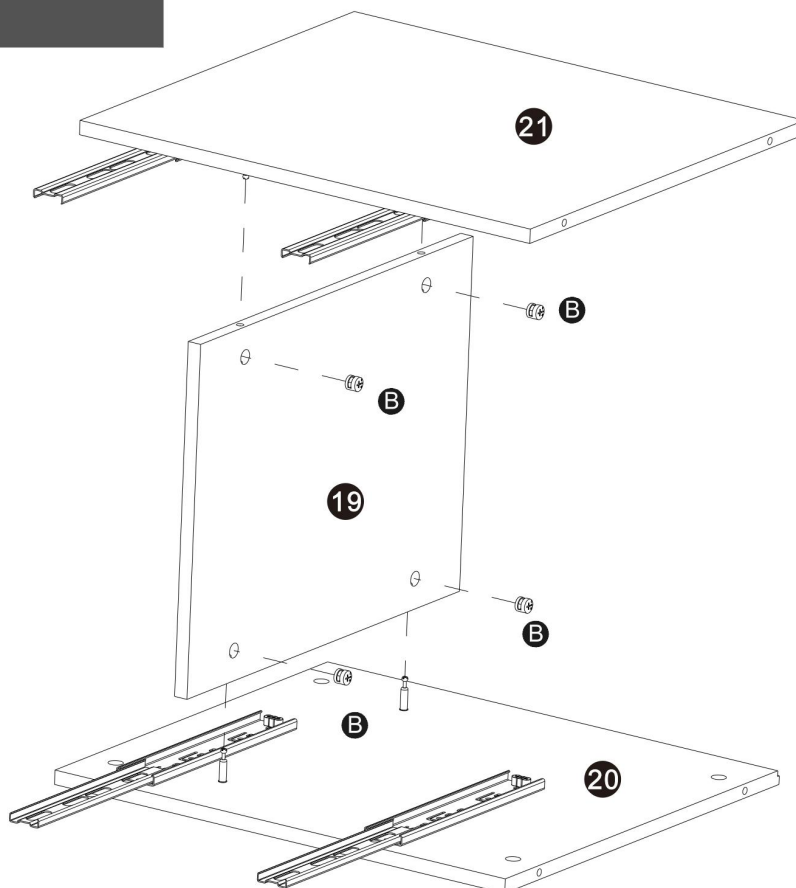


Assembly Instructions

Step 17

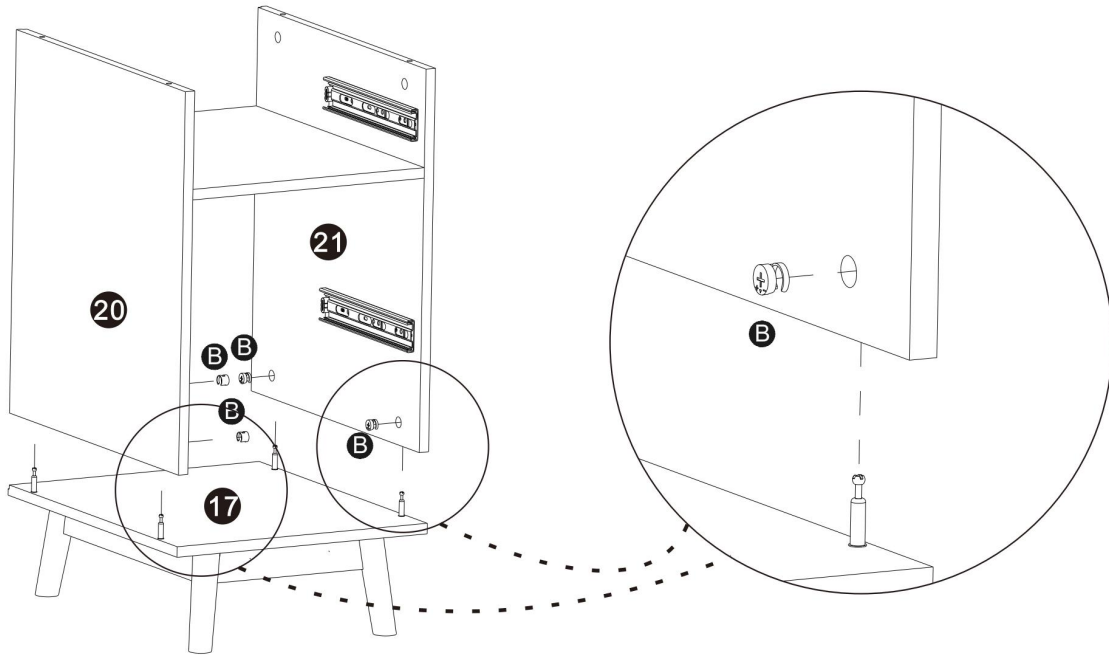
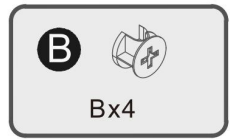
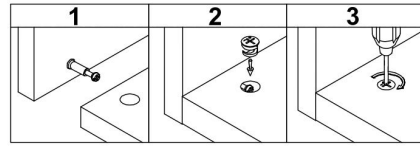


Step 18

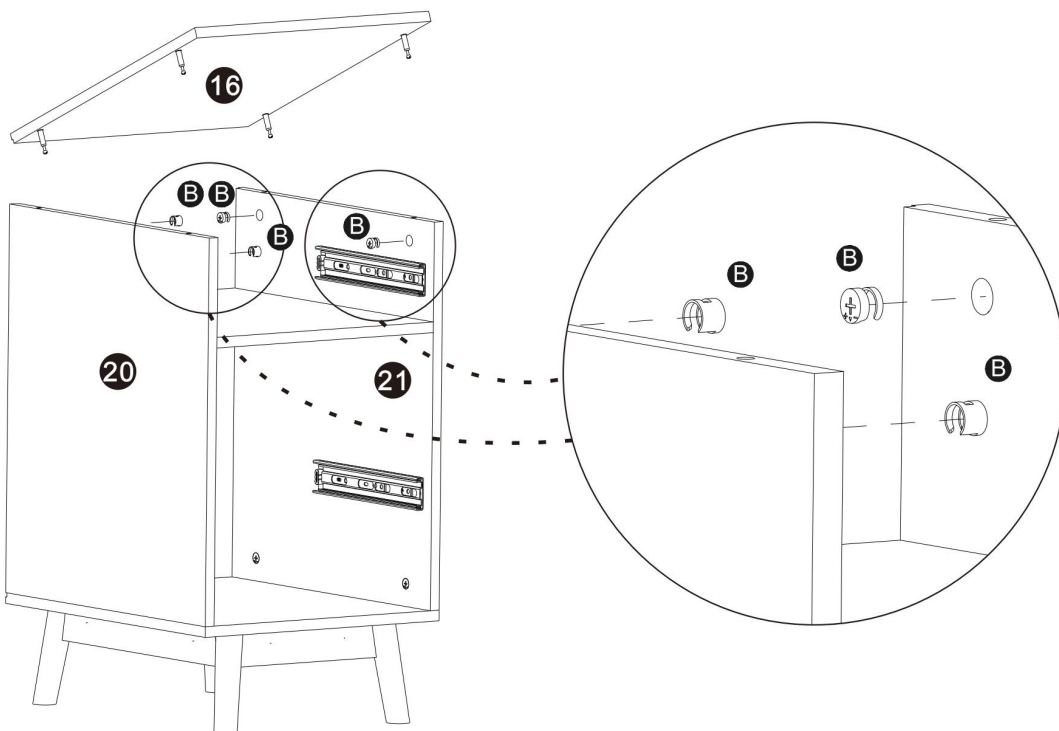
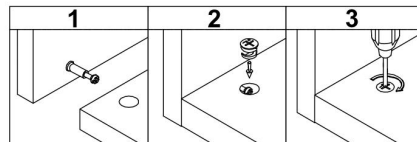


Assembly Instructions

Step 19

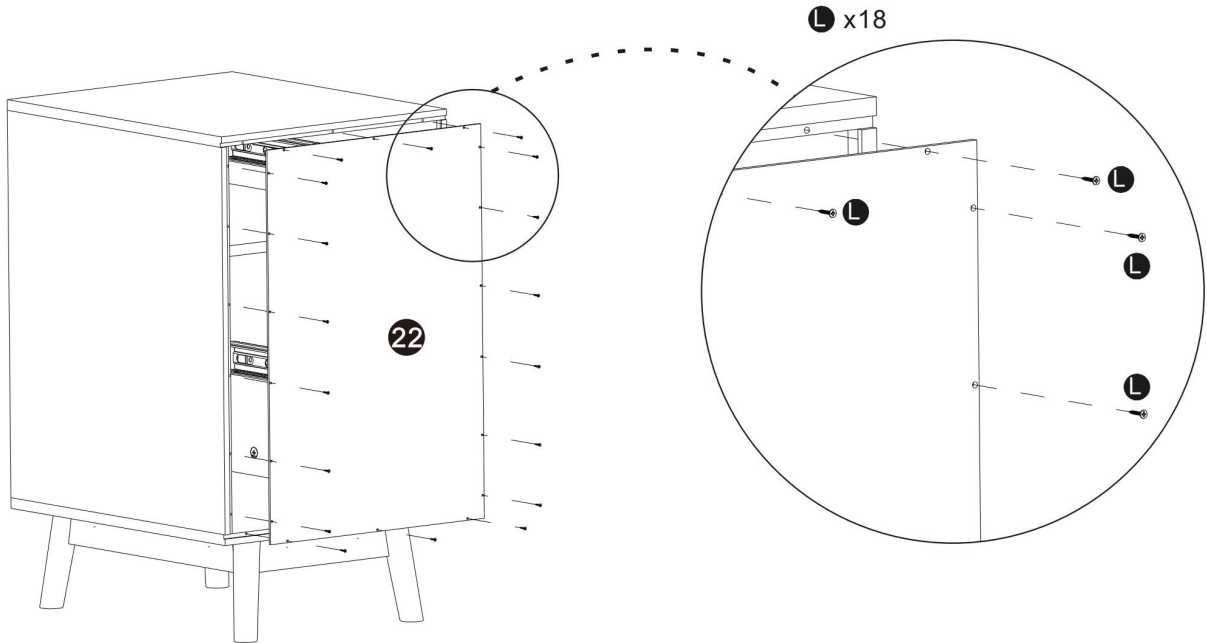
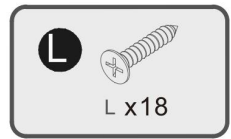


Step 20

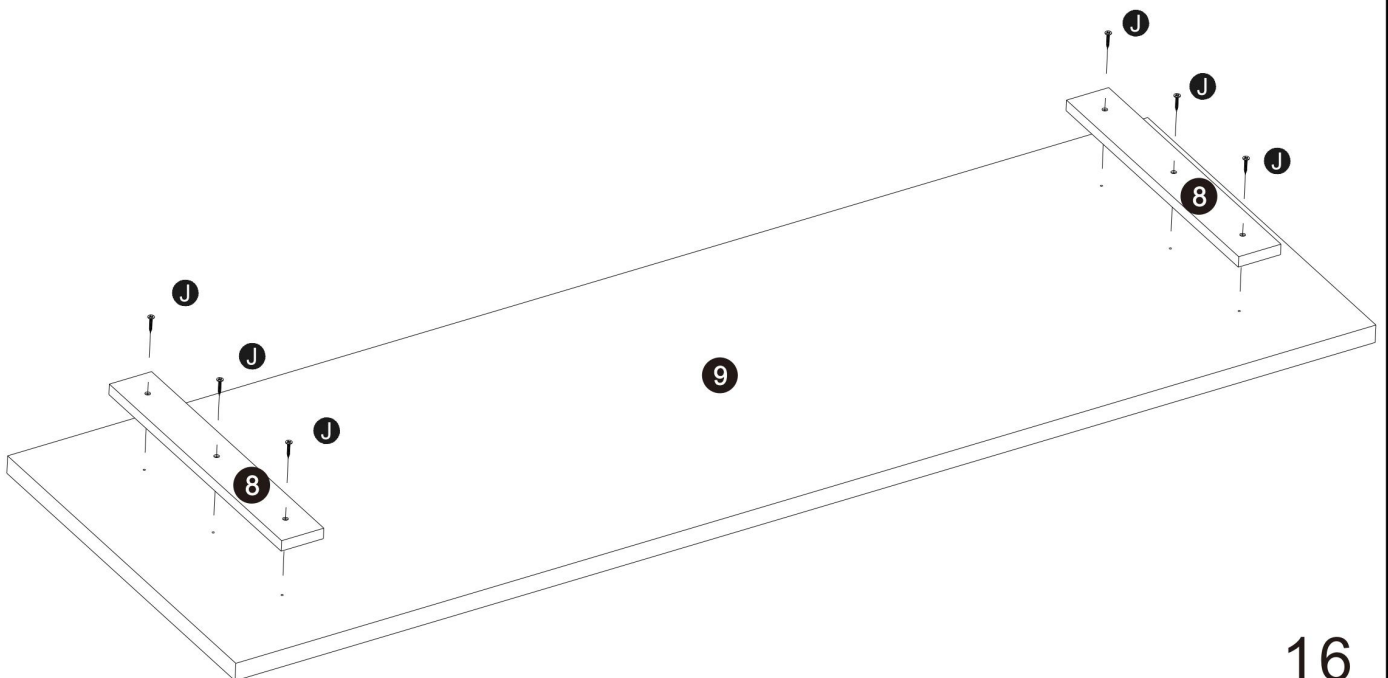
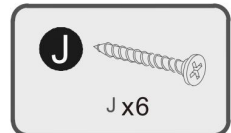


Assembly Instructions

Step 21



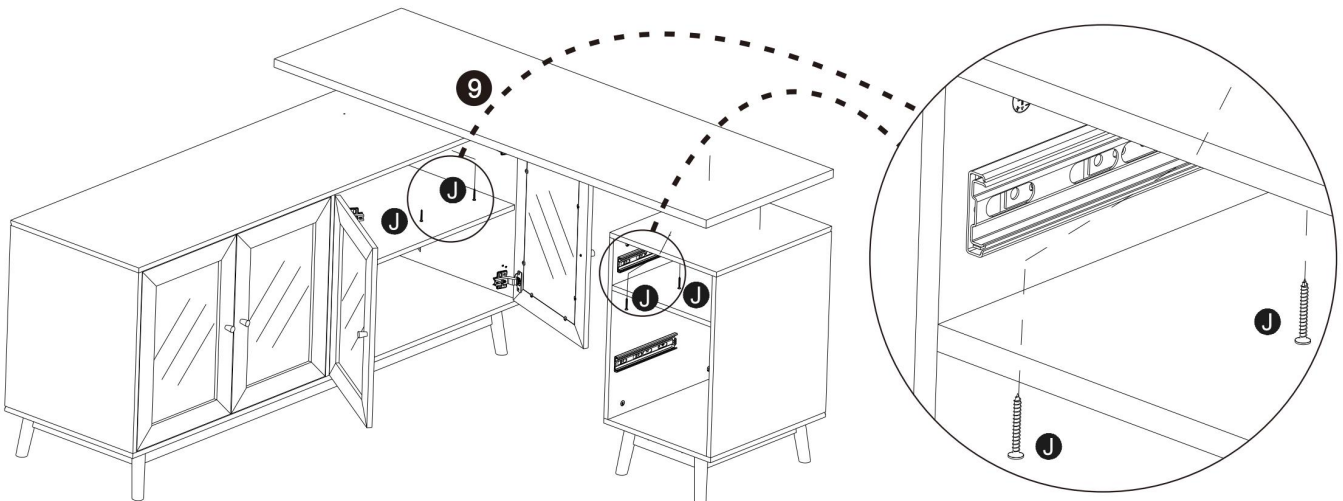
Step 22



Assembly Instructions

Step 23

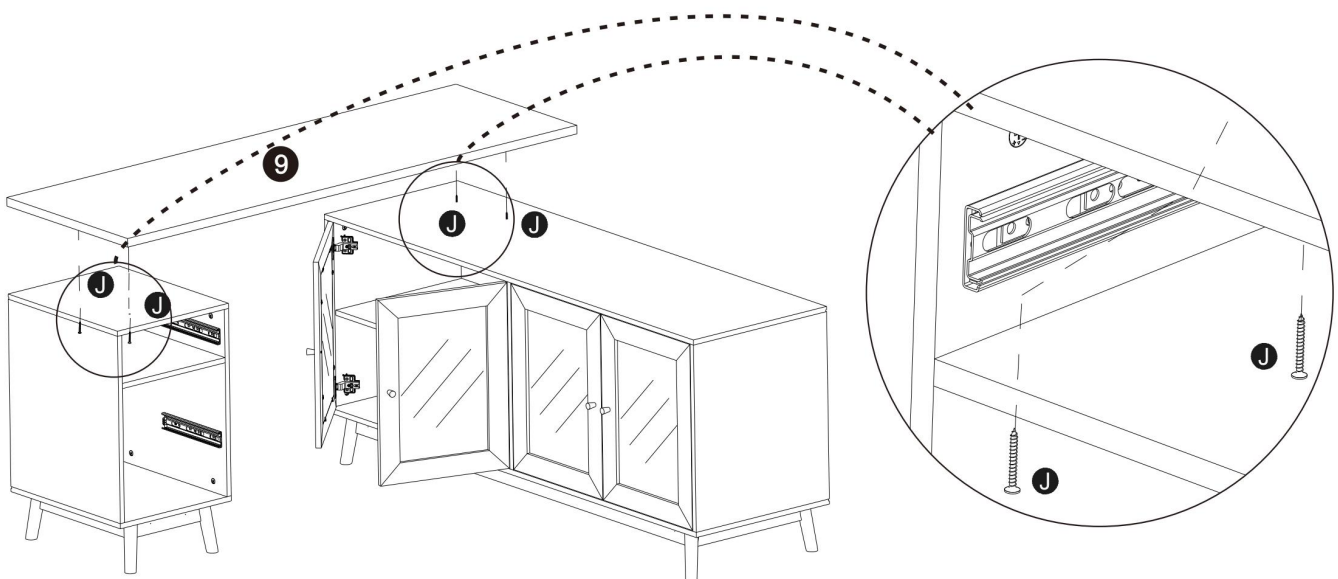
α



Ensure that the installation position is correct. Once selected (α or β), it cannot be changed.

Step 24

β

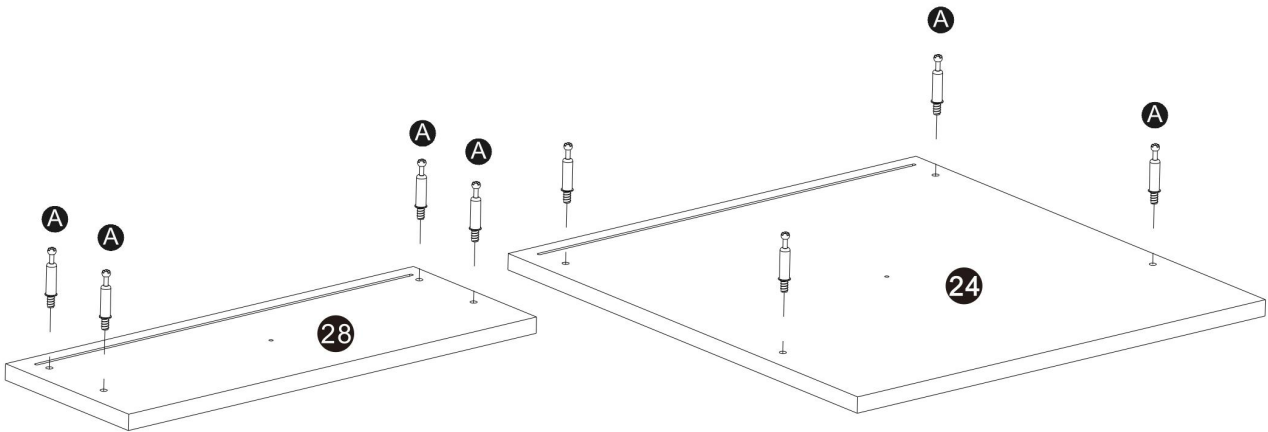


Ensure that the installation position is correct. Once selected (α or β), it cannot be changed.

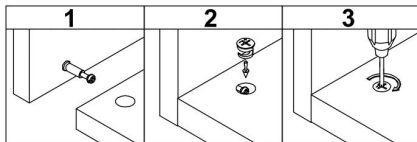
Assembly Instructions

Step 25

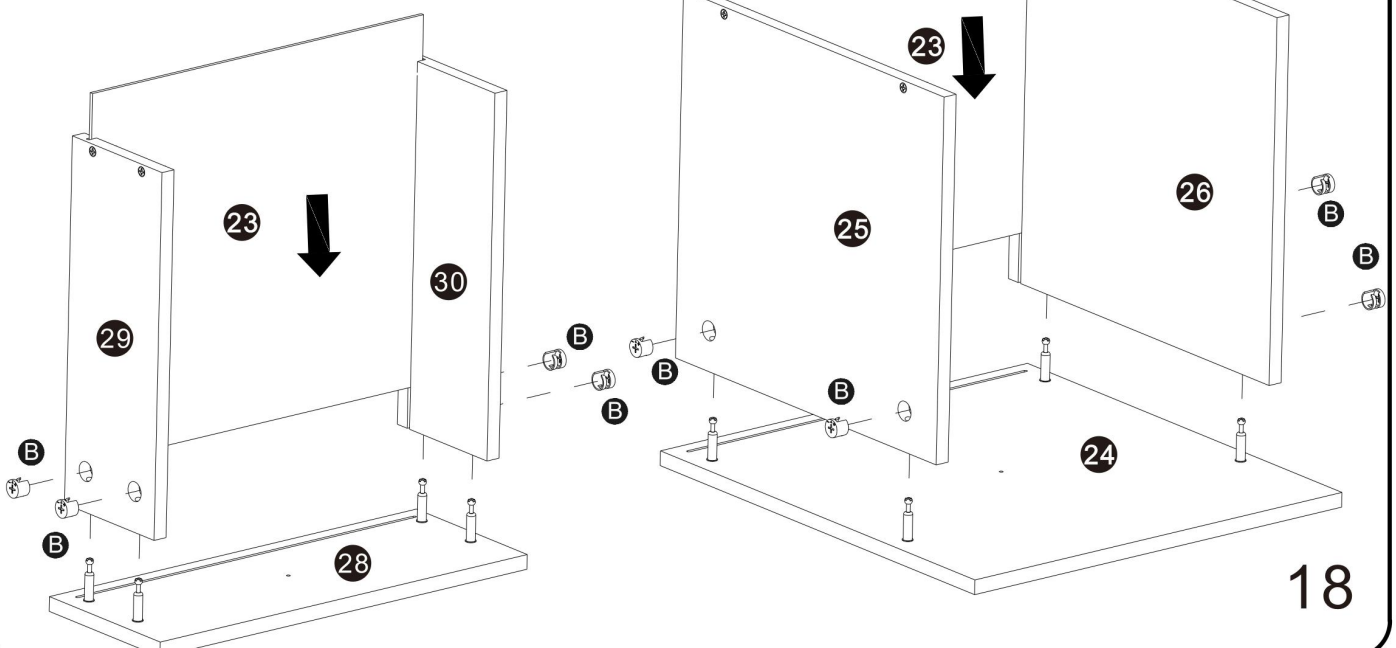
A 
Ax8



Step 26

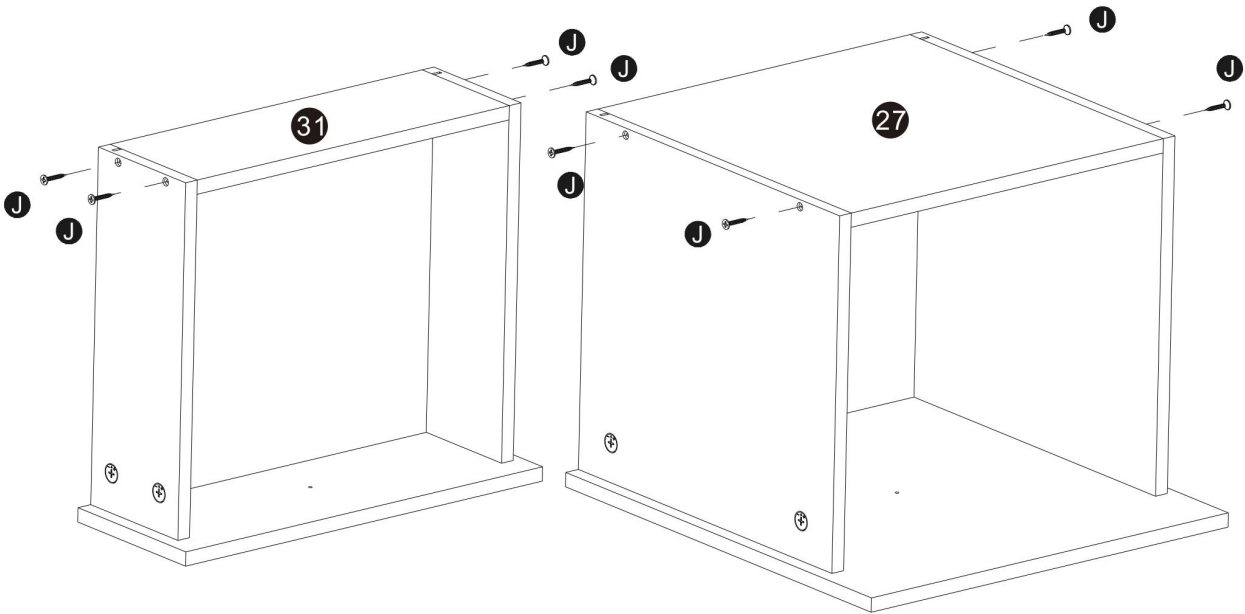
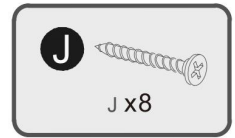


B 
Bx8

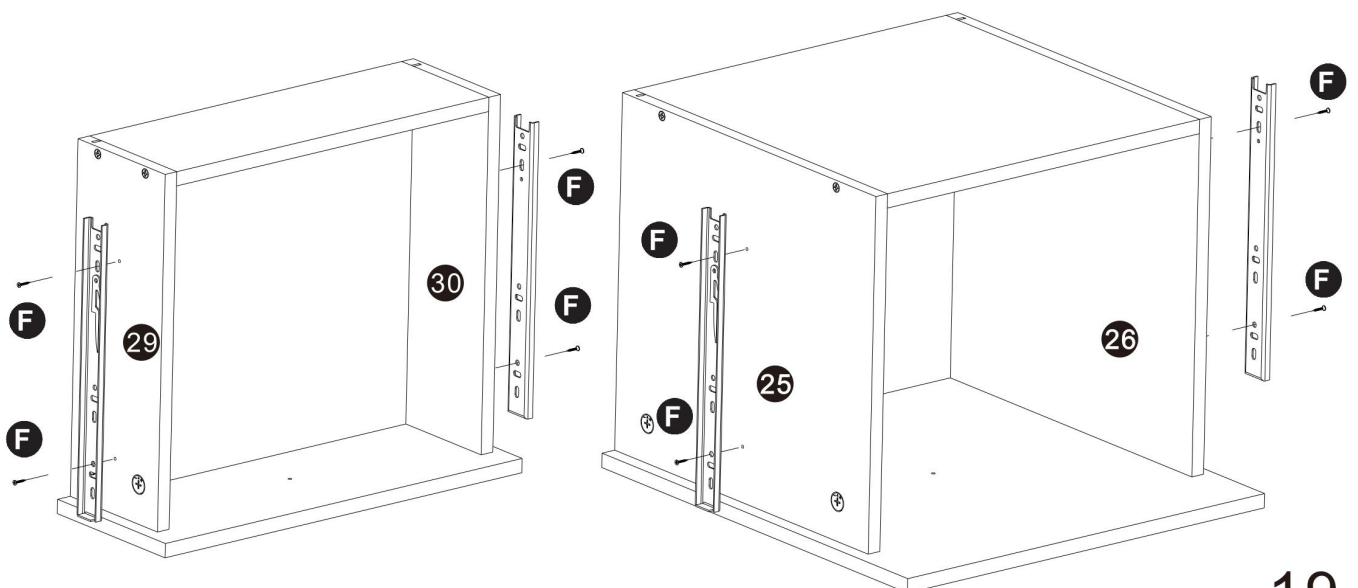
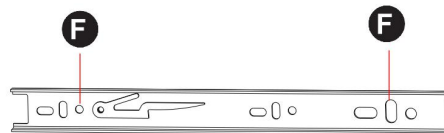
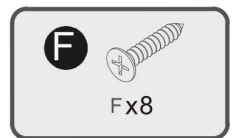


Assembly Instructions

Step 27

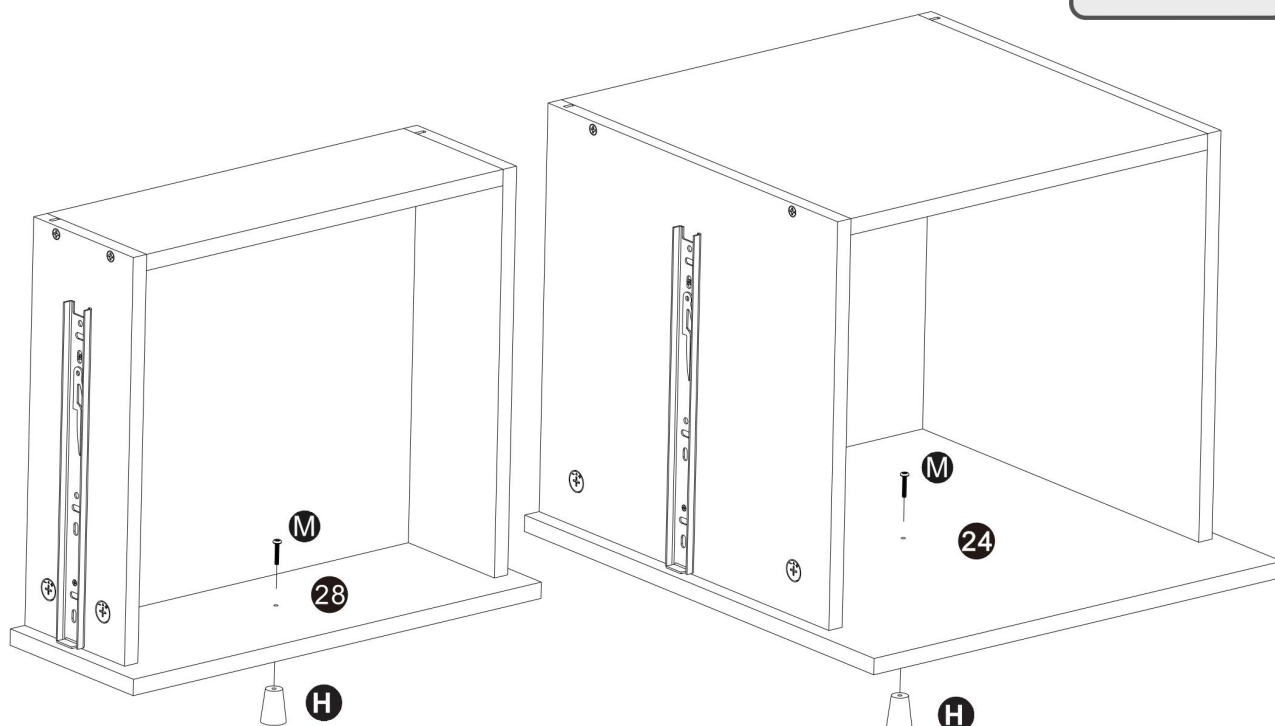
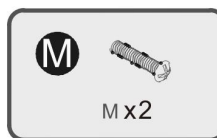


Step 28

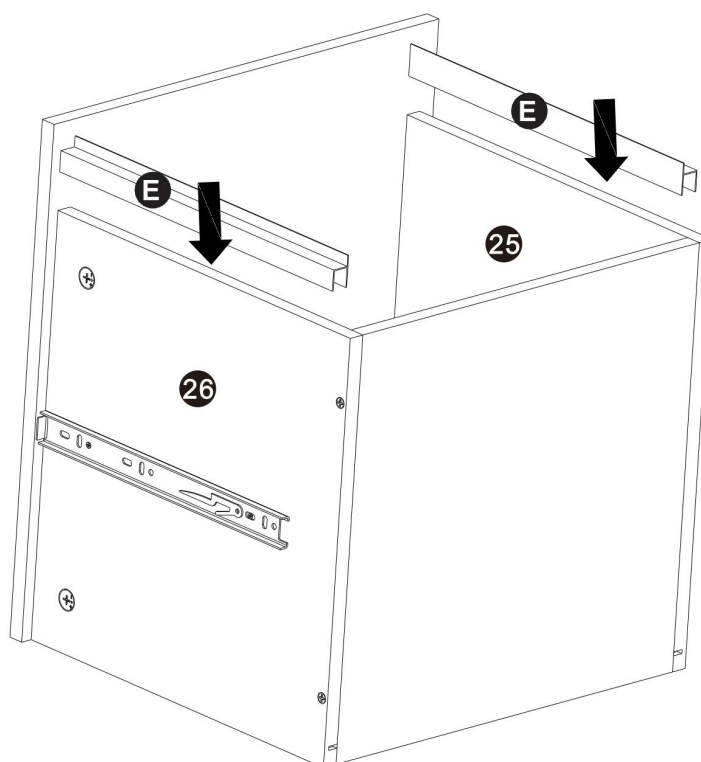
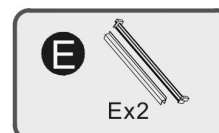


Assembly Instructions

Step 29

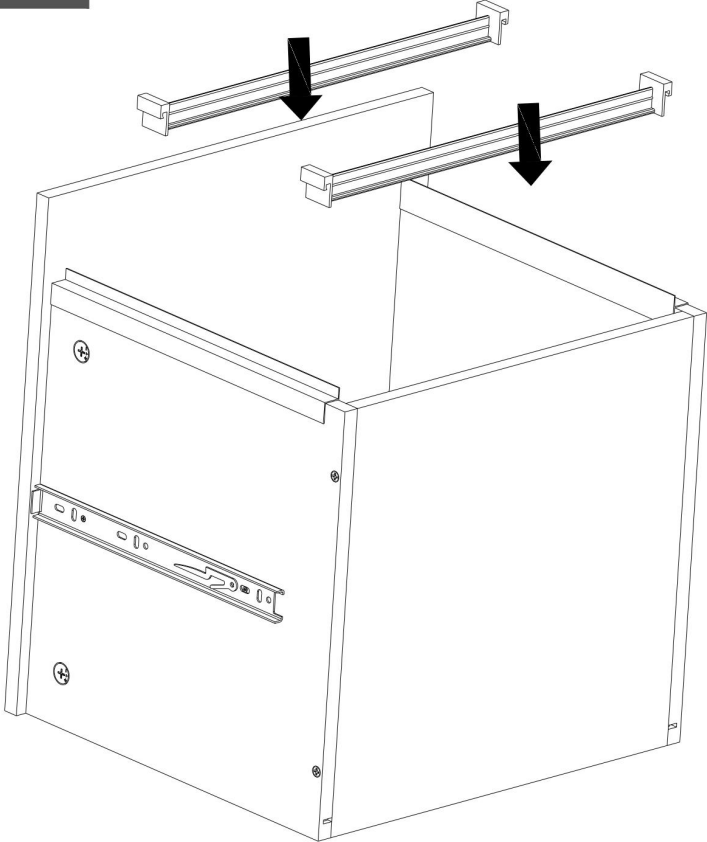



Step 30



Assembly Instructions

Step 31

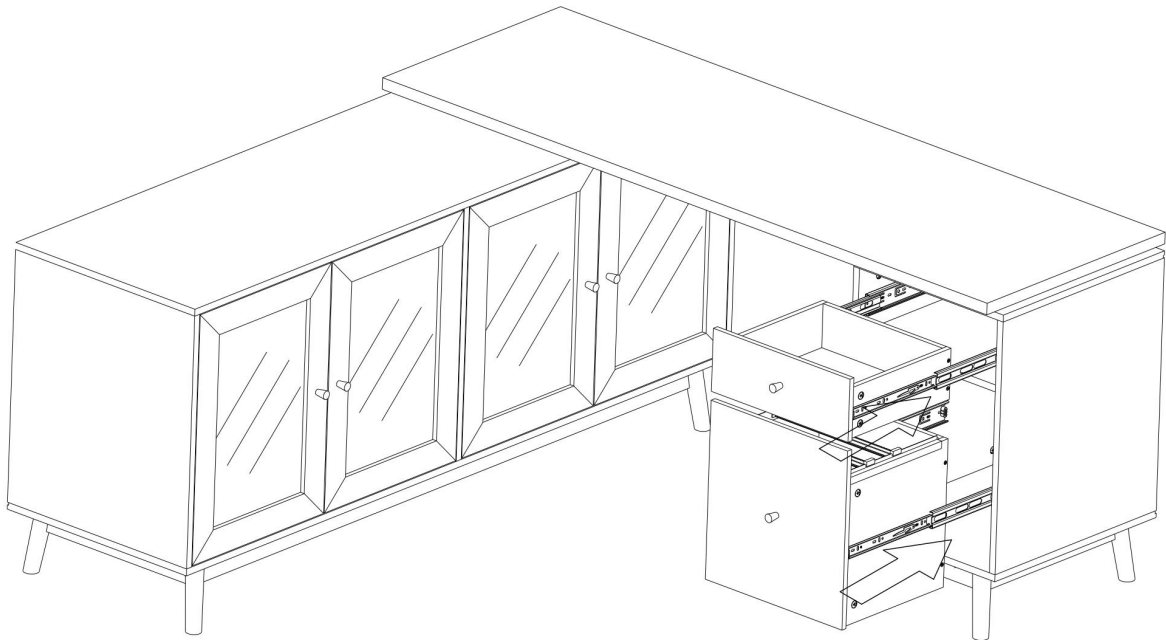


E 
Ex2

Assembly Instructions

Step 32

α



β

