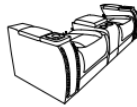






ASSEMBLY INSTRUCTIONS

BRECKENRIDGE II COLLECTION

ITEM#:L3183A-25P2
DESCRIPTION : BRECKENRIDGE II
CONSOLE LOVESEAT W/ PWR FR & HR

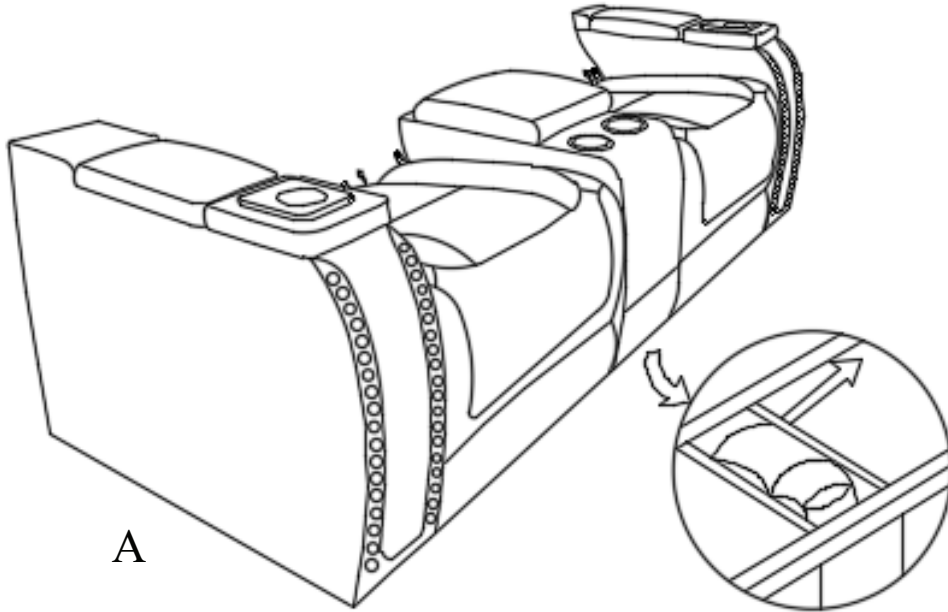
Thank you for purchasing this quality product. Be sure to check all packing materials carefully for small parts, which may have come loose during shipment. Identify and count all items and compare with the parts list shown below. It is recommended to have two people during assembling and to remove the back and base of the furniture out from the box. **Please follow the drawings below to assemble the item**

PARTS LIST			
NO.	DESCRIPTION	SKETCH	QTY
A	Seat		1PC
B	Left Side Facing (LSF) Backrest		1PC
C	Console backrest		1PC
D	Right Side Facing (RSF) Backrest		1PC
E	Power Cable 29V		1PC

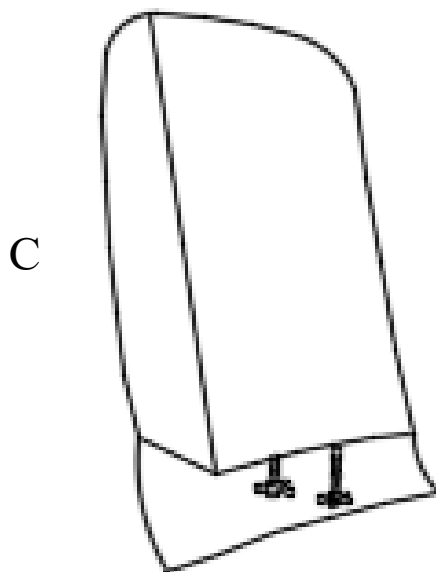
All images shown are for illustration purpose only.
Actual product may vary due to product enhancement.

ASSEMBLY INSTRUCTIONS
BRECKENRIDGE II COLLECTION
ITEM#: L3183A-25P2
DESCRIPTION : BRECKENRIDGE II
CONSOLE LOVESEAT W/ PWR FR & HR

STEP 1:
Locate the console backrest (C) at the bottom of seat (A).



Step 2:
Unscrew the knob screws from the console backrest (C).



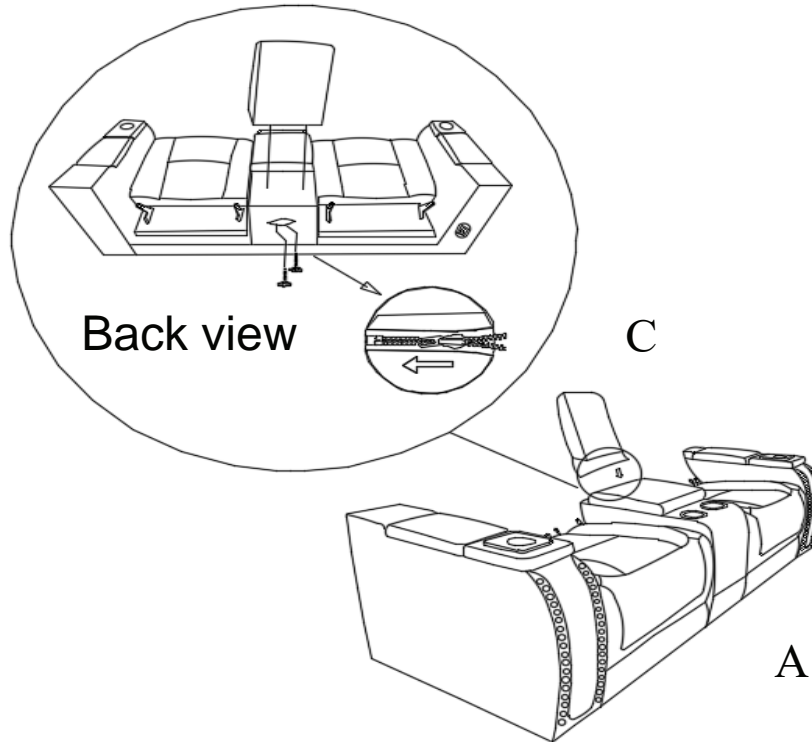
All images shown are for illustration purpose only.
Actual product may vary due to product enhancement.

ASSEMBLY INSTRUCTIONS

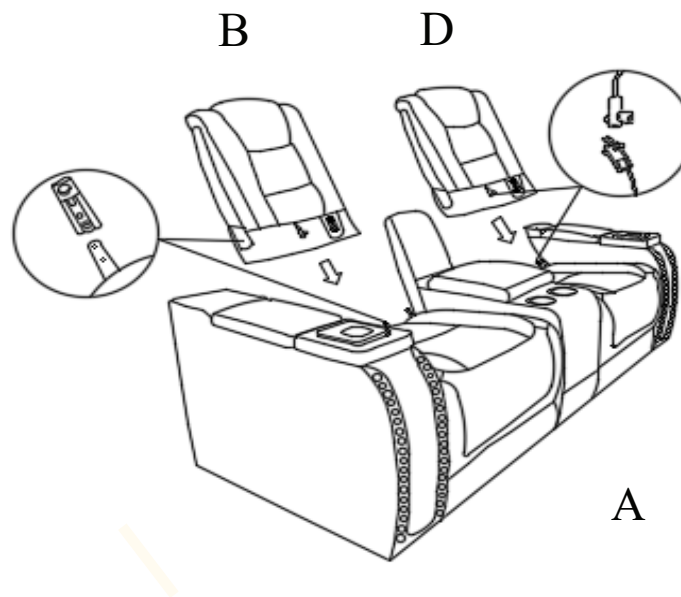
BRECKENRIDGE II COLLECTION

ITEM#: L3183A-25P2
DESCRIPTION : BRECKENRIDGE II
CONSOLE LOVESEAT W/ PWR FR & HR

Step 3:
Open the zipper at the back of the console of seat (A) and attach the console backrest (C) to the correct position by turning the knob screws from inside the zipper counterclockwise until the console backrest (C) is secured in place.



Step 4:
Insert the LSF backrest (B) and the RSF backrest (D) to the seat (A) . Make sure the backrests are secured in position .

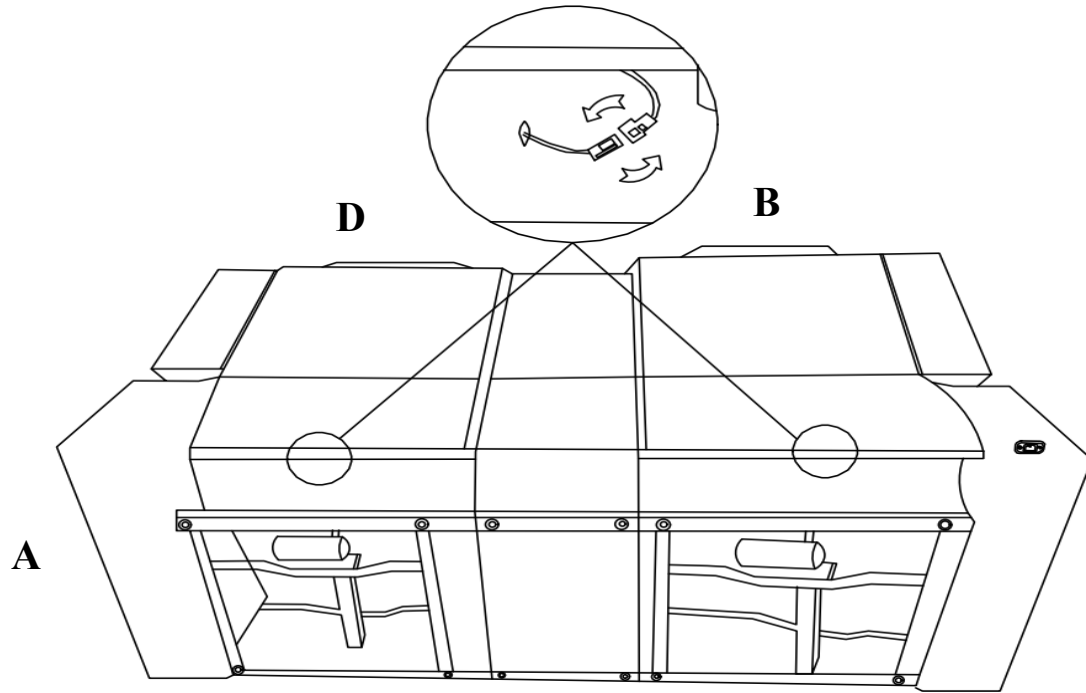


All images shown are for illustration purpose only.
Actual product may vary due to product enhancement.

ASSEMBLY INSTRUCTIONS
BRECKENRIDGE II COLLECTION
ITEM#: L3183A-25P2
DESCRIPTION : BRECKENRIDGE II
CONSOLE LOVESEAT W/ PWR FR & HR

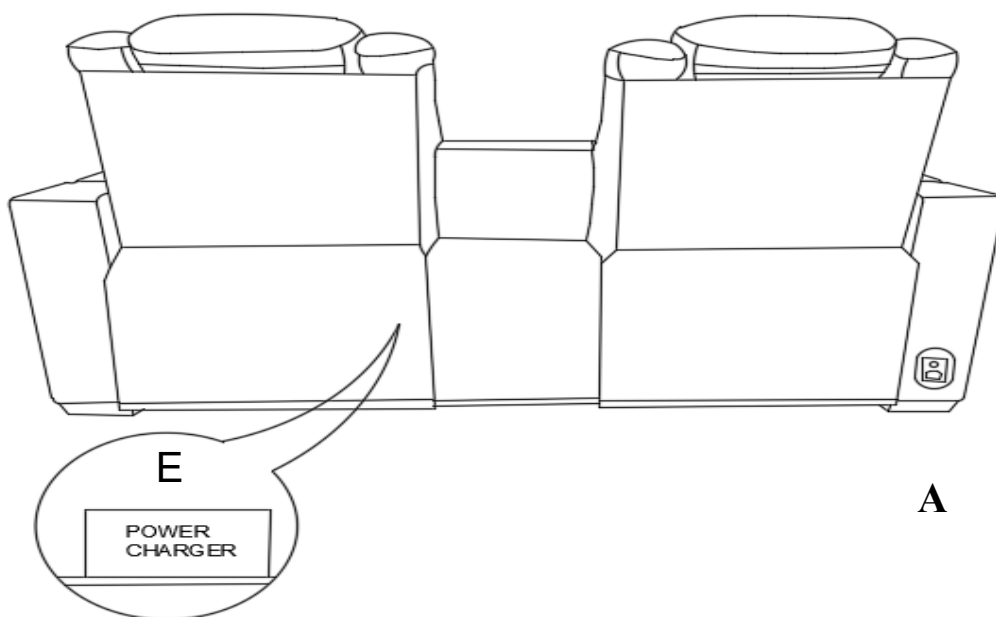
Step 5:

Connect the cable on the backrests (B & D) to the cables on the seat (A).



Step 6:

Locate the transformer (E) at the bottom of the Seat (A).



All images shown are for illustration purpose only.
Actual product may vary due to product enhancement.

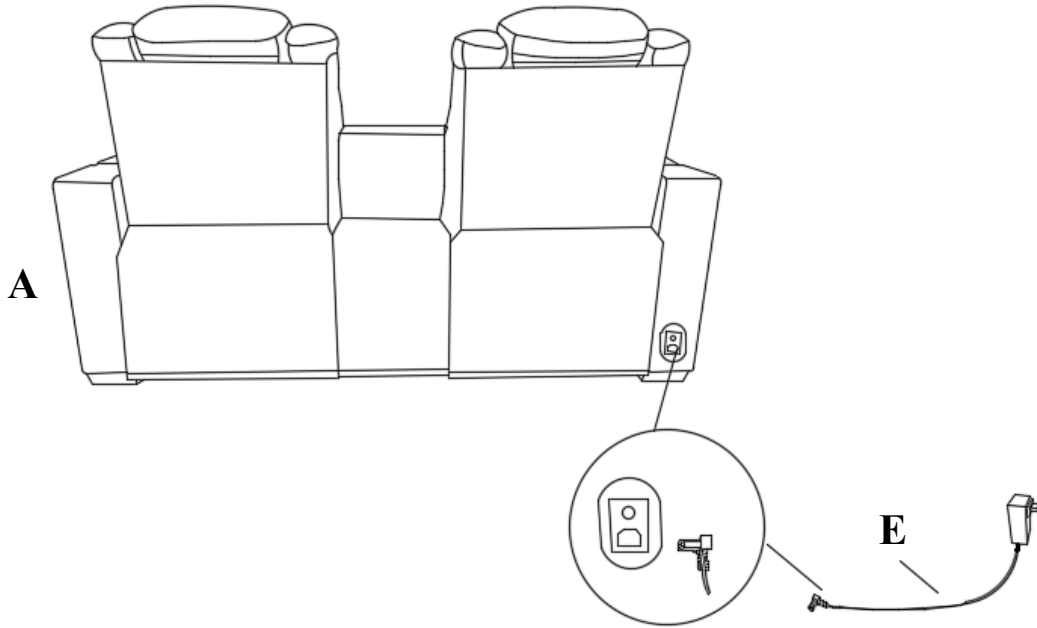
ASSEMBLY INSTRUCTIONS

BRECKENRIDGE II COLLECTION

ITEM#: L3183A-25P2
 DESCRIPTION : BRECKENRIDGE II
 CONSOLE LOVESEAT W/ PWR FR & HR

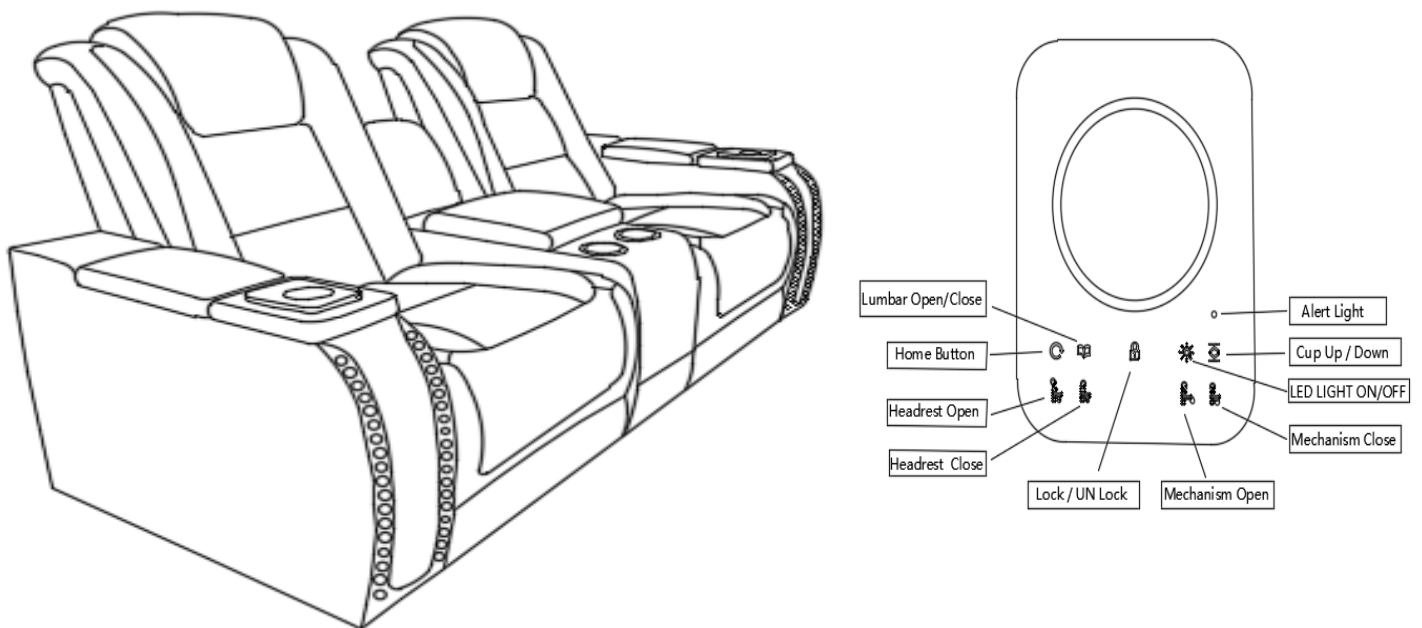
Step 7:

Connect the Power Cable 29V (E) to the power socket on the back of Seat (A).



Step 8:

Connect the power and open/close the footrest and headrest by pressing the power buttons.



All images shown are for illustration purpose only.
 Actual product may vary due to product enhancement.

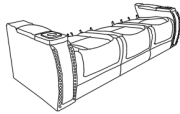




ASSEMBLY INSTRUCTIONS

BRECKENRIDGE II COLLECTION

ITEM#: L3183A-30P2

DESCRIPTION : BRECKENRIDGE II SOFA W/
DUAL RECLINER

Thank you for purchasing this quality product. Be sure to check all packing materials carefully for small parts, which may have come loose during shipment. Identify and count all items and compare with the parts list shown below. It is recommended to have two people during assembling and to remove the back and base of the furniture out from the box. **Please follow the drawings below to assemble the item**

PARTS LIST			
NO.	DESCRIPTION	SKETCH	QTY
A	Seat		1PC
B	Left Side Facing (LSF) Backrest		1PC
C	Mid backrest		1PC
D	Right Side Facing (RSF) Backrest		1PC
E	Power Cable 29V		1PC

All images shown are for illustration purpose only.
Actual product may vary due to product enhancement.

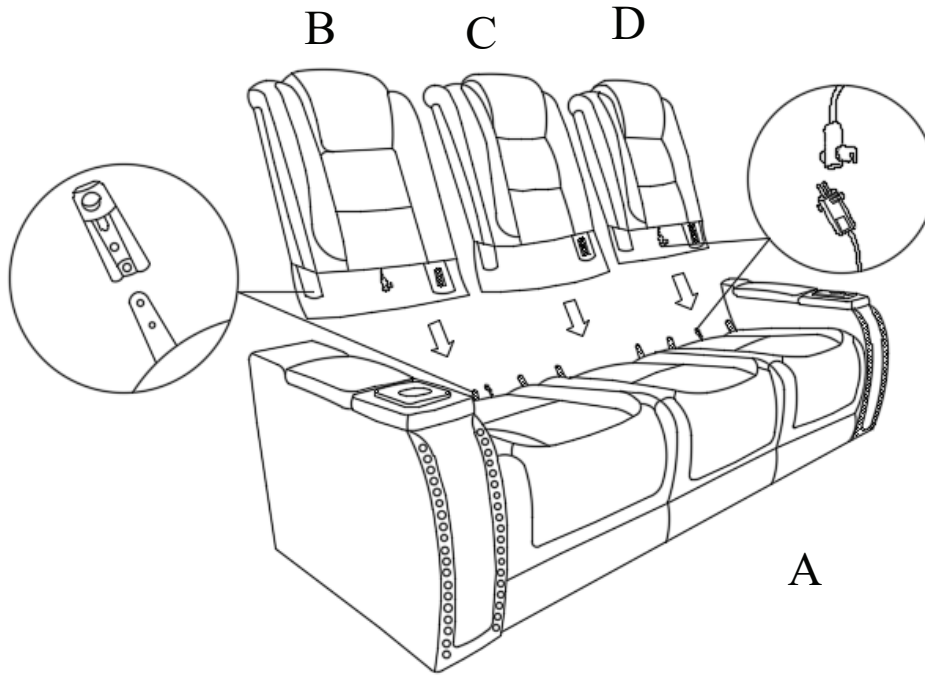
ASSEMBLY INSTRUCTIONS

BRECKENRIDGE II COLLECTION

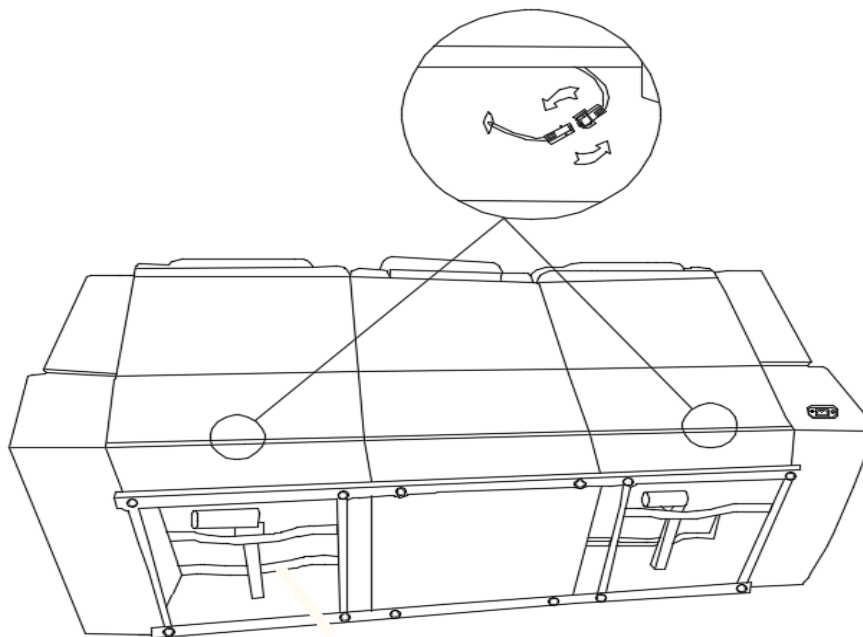
ITEM#: L3183A-30P2

DESCRIPTION : BRECKENRIDGE II SOFA W/
DUAL RECLINER

Step 1:
Insert the backrests(B/C/D) to the seat (A) and make
sure the backrests are secured in position.



Step 2:
Connect the cable on the backrests (B & D) to the cables on the seat (A).



All images shown are for illustration purpose only.
Actual product may vary due to product enhancement.

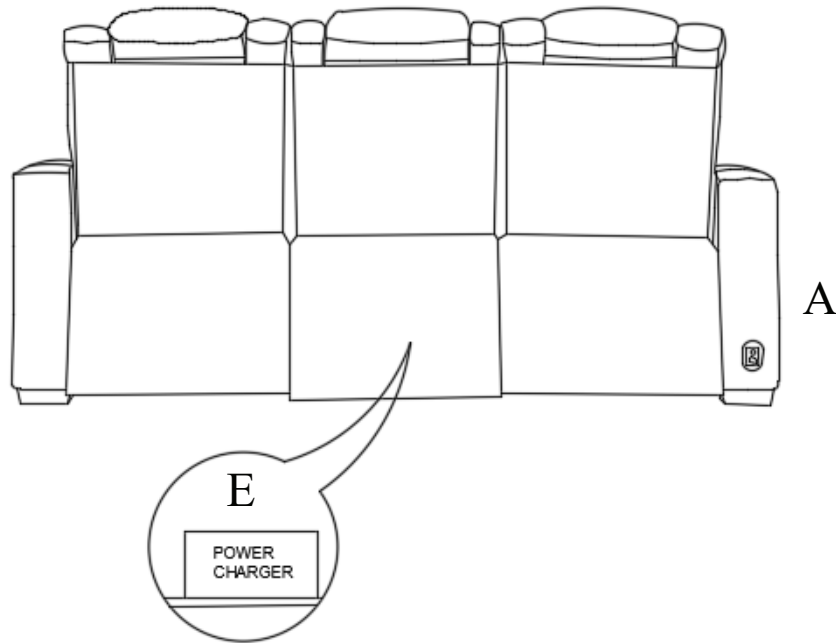
ASSEMBLY INSTRUCTIONS

BRECKENRIDGE II COLLECTION

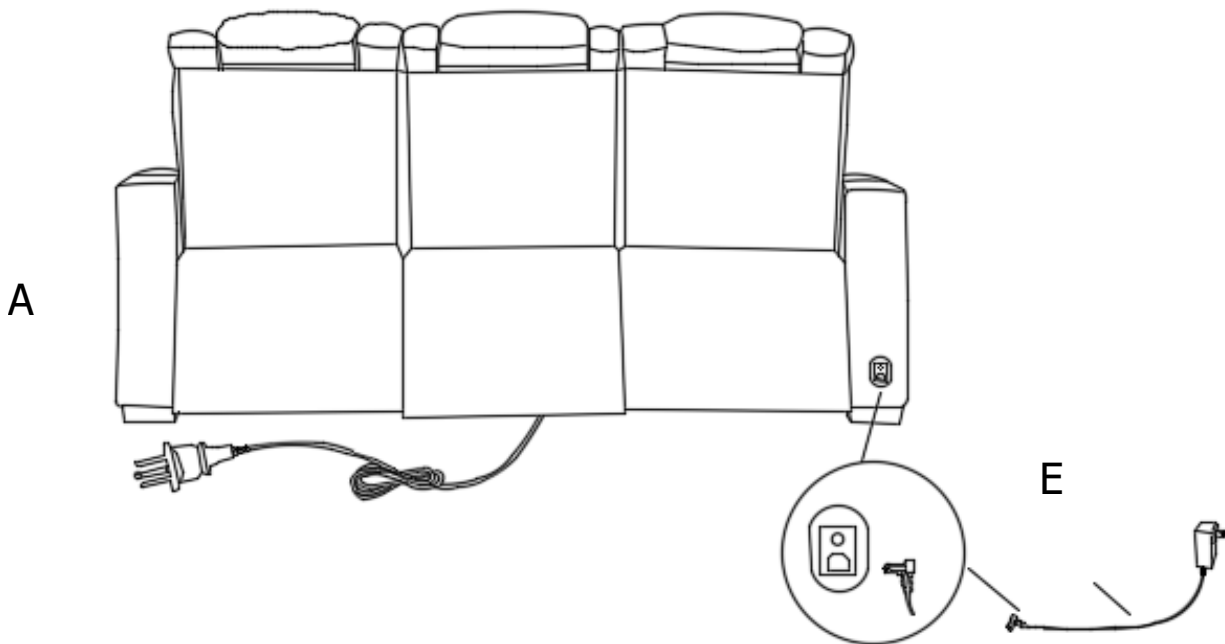
ITEM#: L3183A-30P2

DESCRIPTION : BRECKENRIDGE II SOFA W/
DUAL RECLINER

Step 3: Locate the transformer (E) at the bottom of the Seat (A).



Step 4: Connect the Power Cable 29V (E) to the power socket on the back of Seat (A).



All images shown are for illustration purpose only.
Actual product may vary due to product enhancement.

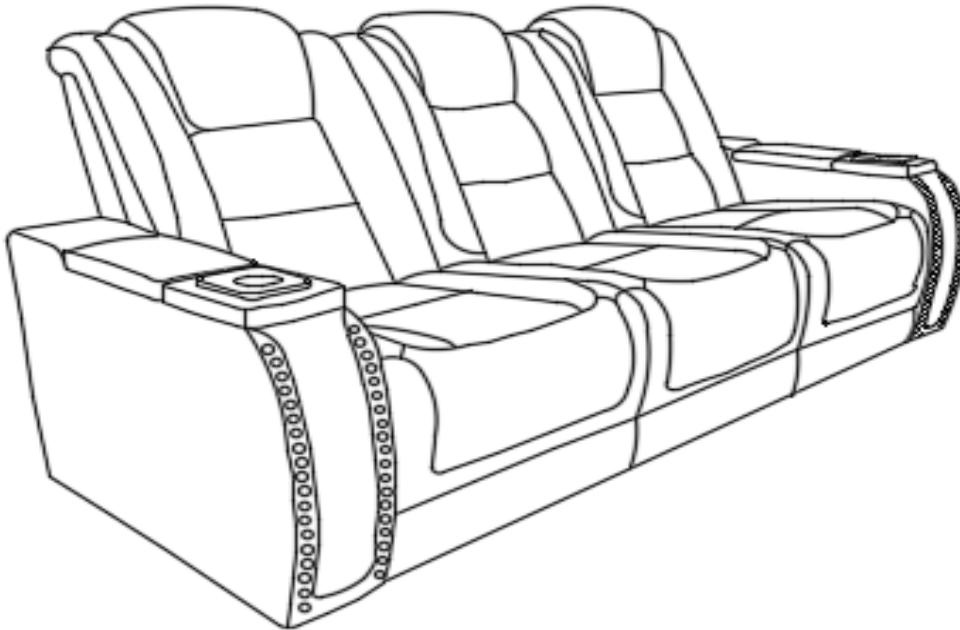
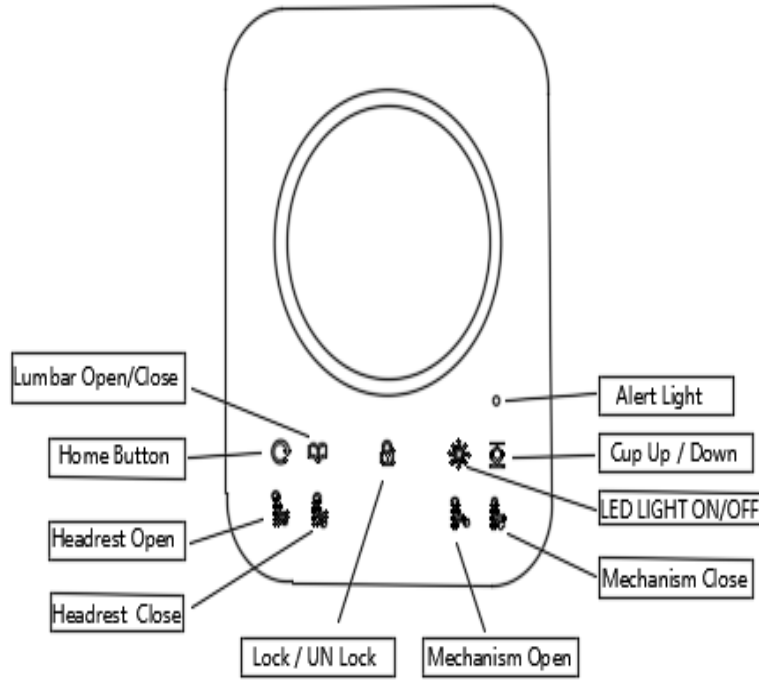
ASSEMBLY INSTRUCTIONS

BRECKENRIDGE II COLLECTION

ITEM#: L3183A-30P2

DESCRIPTION : BRECKENRIDGE II SOFA W/
DUAL RECLINER

Step 5: Connect the power and open/close the footrest and headrest by pressing the power buttons.



All images shown are for illustration purpose only.
Actual product may vary due to product enhancement.