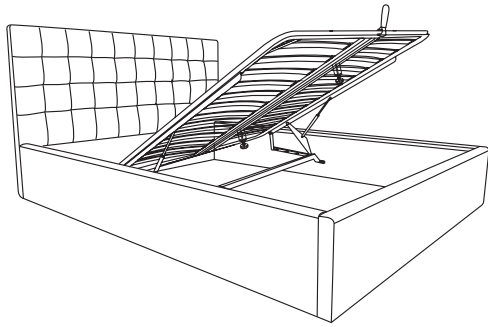


Full



WARNING

inspect the bed before each use, make sure all components and parts are correctly and securely positioned. Do not use it if any worn, defective, or missing parts.

--Do no sudden seating or bouncing on the bed

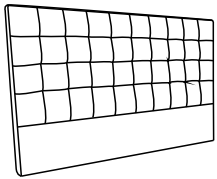
--Do not jump onto or off the bed

--Do not use the bed unless placed at a stable position

When you clean the bed, Please use a leather cleaner.

Suggested tools: electronic screwdriver

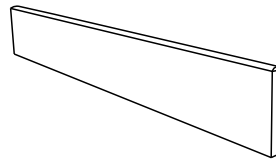
① HEAD BOARD(1pc)



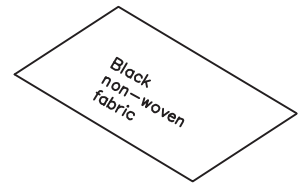
② FOOT BOARD(1pc)



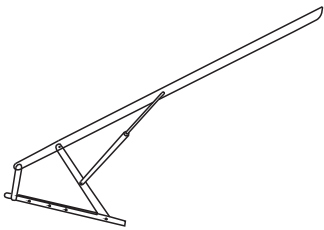
③ SIDE RAIL(2pc)



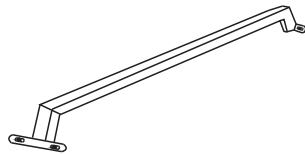
④ NON-WOVEN FABRIC



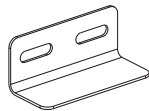
⑤ Pneumatic rod(2pc)



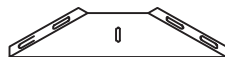
⑥ Bent rod(1pc)



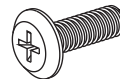
A:4



B:1



C:4



D:46



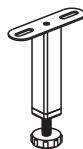
E:10



F:18

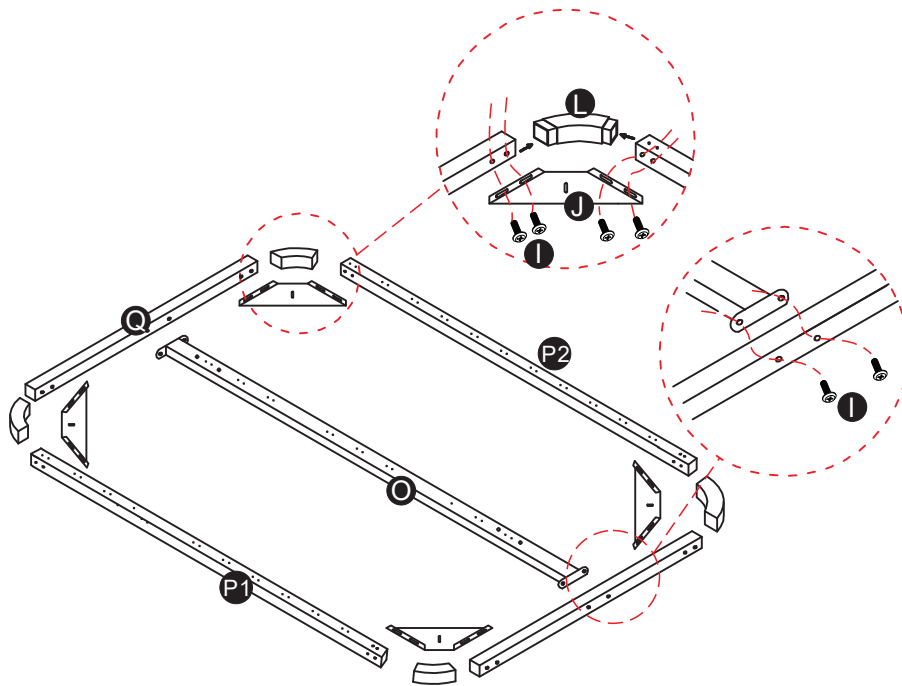


G:1

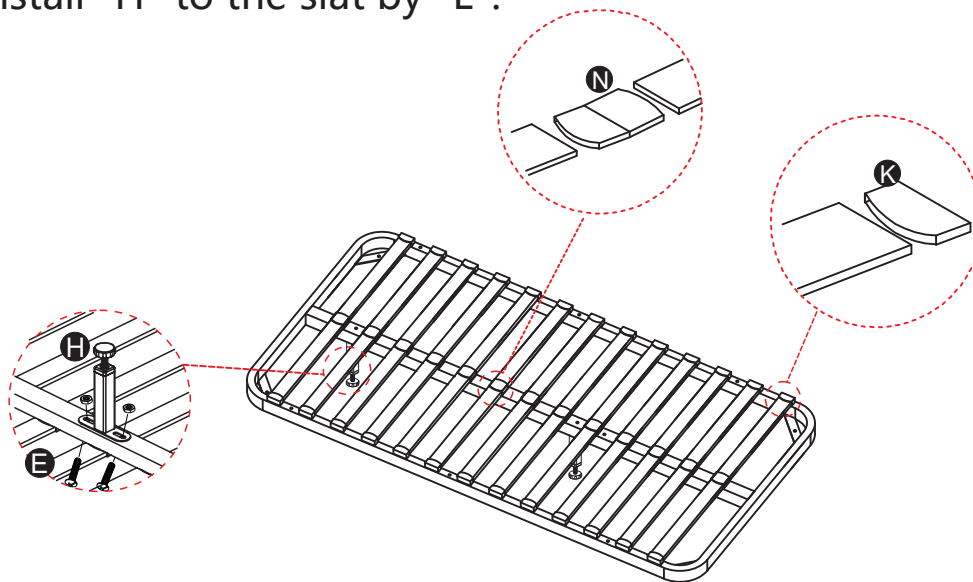



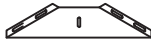
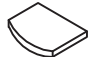



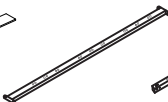
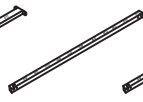
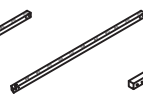
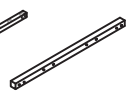

H:2

step1: connect the slat frame with metal bar "O,P,Q" by fittings "I,J,L"

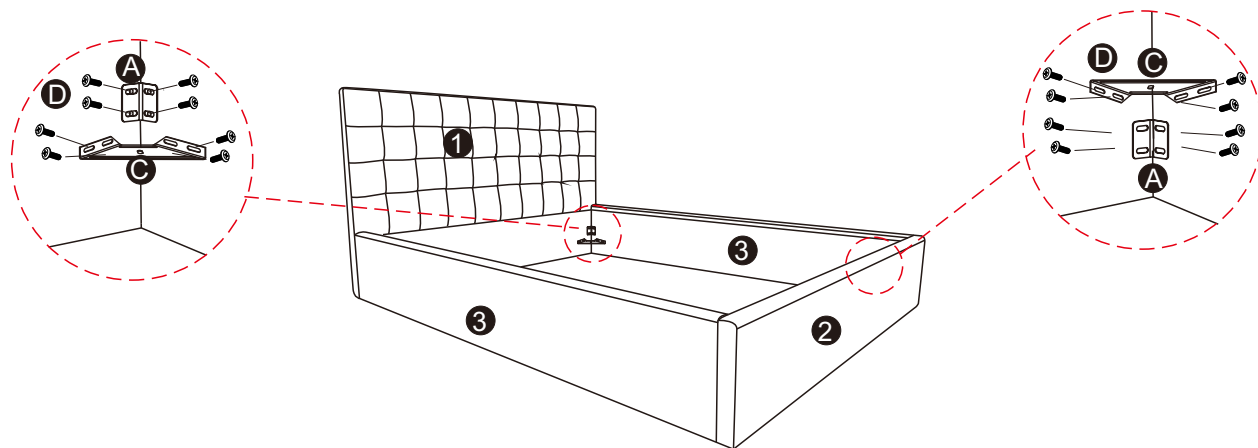


step1: Attach slat cap "K" to the ends of slats, connect slats with "N" in center, gently press the caps on the siderails of slats frame.
 step2: Install "H" to the slat by "E".

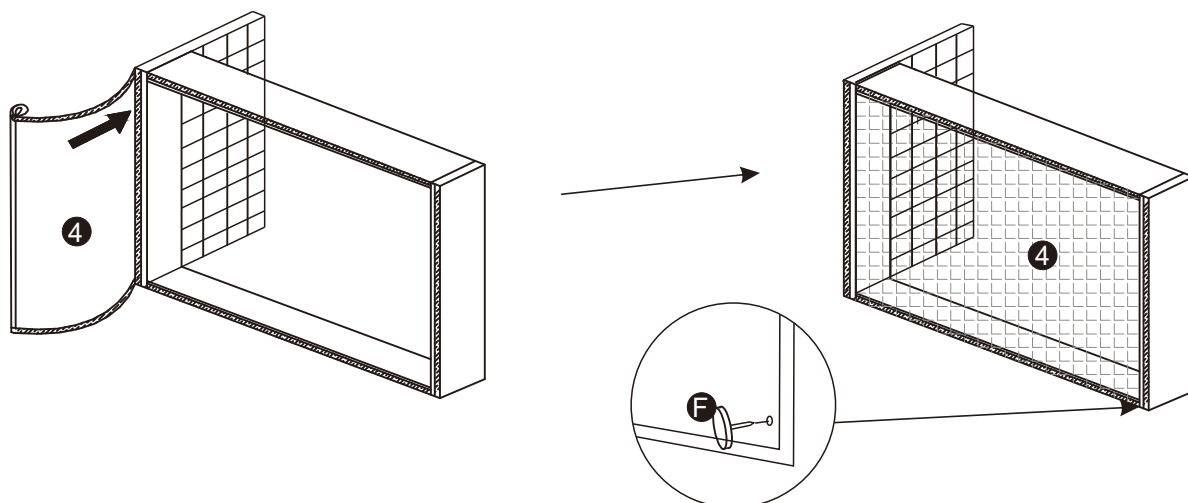


- | | | | | | | | | | | |
|---|---|---|---|---|---|--|---|---|---|---|
|  |  |  |  |  |  |  |  |  |  |  |
| M8x25MM
Ix24 | Jx4 | Kx26 | Lx4 | Nx13 | Mx26 | Ox1 | P1x1 | P2x1 | Qx2 | Hx2 |

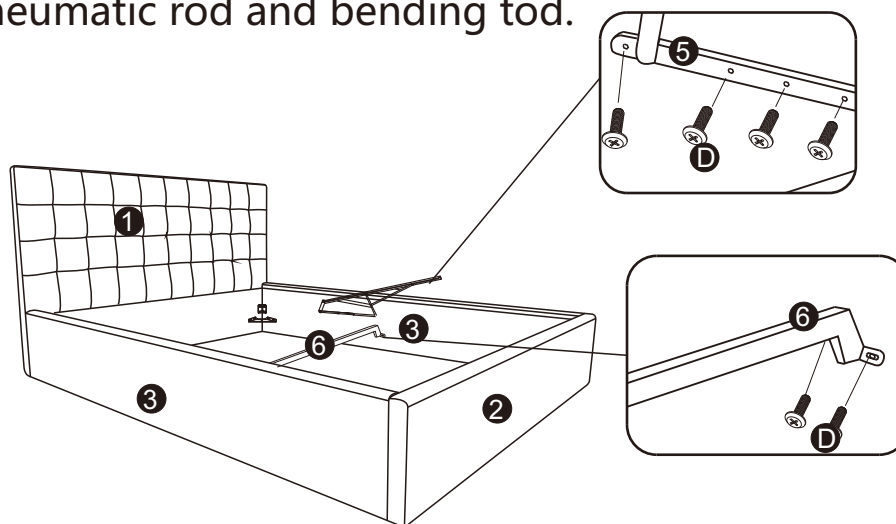
step3: Install corner code.



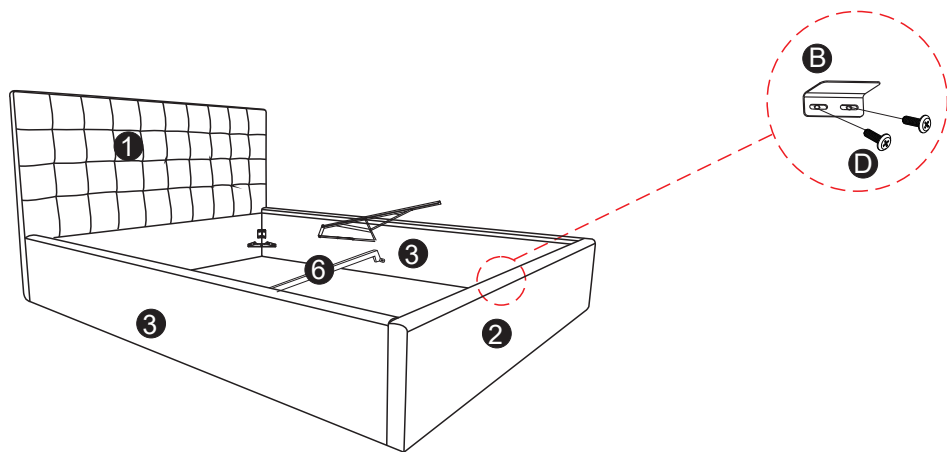
step4: Attach ④ non-woven fabric, There is sticky burr on the non woven fabric, so you can stick it easily.



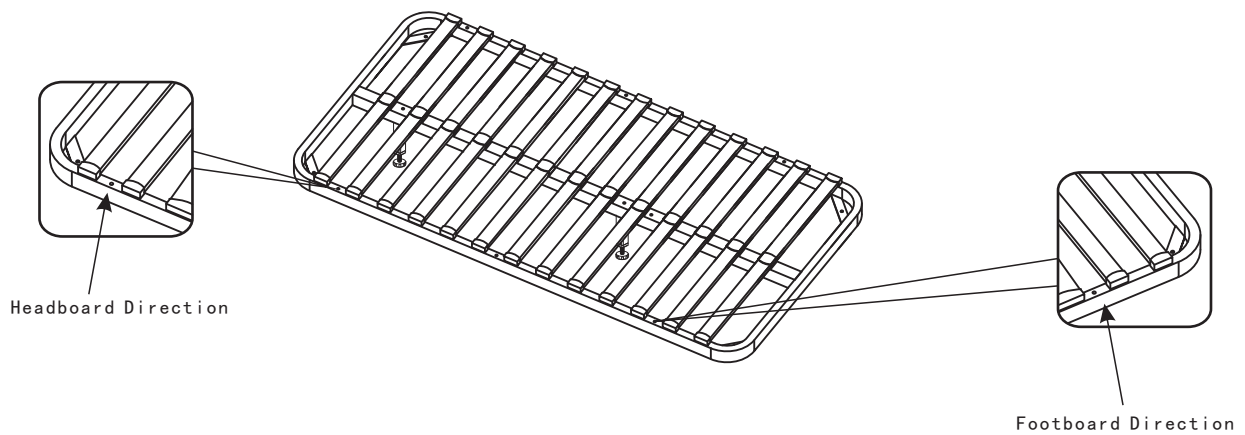
step5: Install pneumatic rod and bending tod.



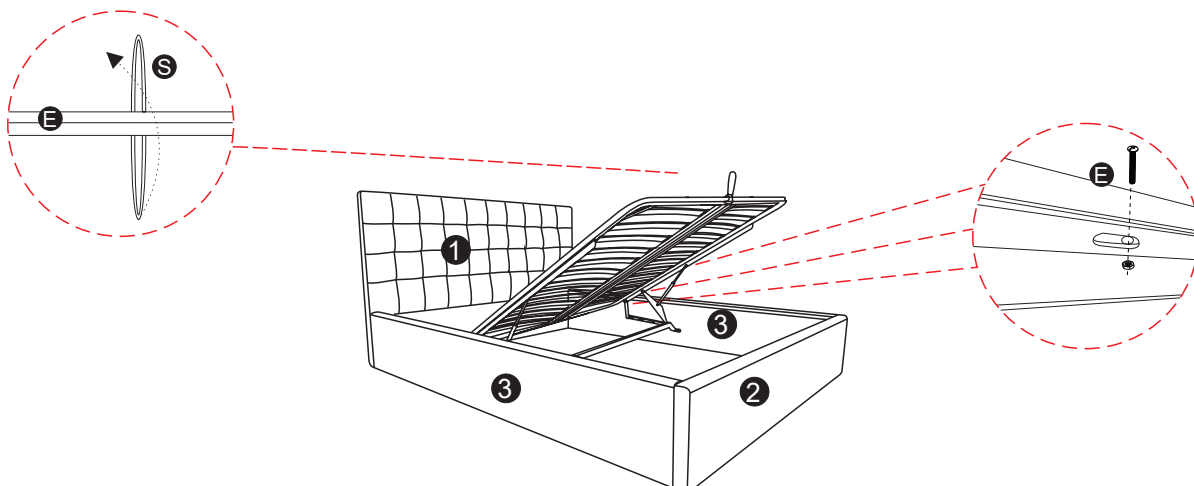
step6: Install plain code.



step 7: distinguish the slat direction when install into the pneumatic rod.



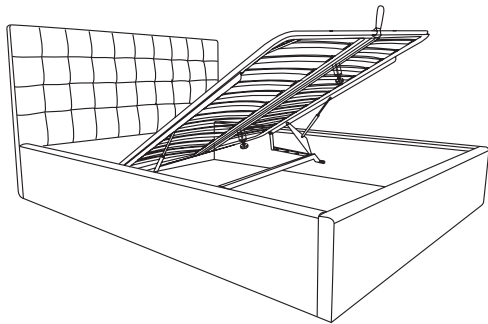
step 8: Installation of skeleton
step 9: fasten "S" on the rod



Attention:

1. Please use the bed after completely assemble it.
 2. The Hydraulic part Can't be operated separately by hand. It must be assembled on bed to function well.
 3. Make sure the hydraulic part silver part on top and green part on bottom
 4. Push HARD in the middle of the footboard of frame and the hydraulic will go down. Lift the frame if you want to use storage area .
- ***First time operate the bed, MORE POWER needed to push down and up
- ***Ensure that Children are well away from the bed when assemble

QUEEN



WARNING

inspect the bed before each use, make sure all components and parts are correctly and securely positioned. Do not use it if any worn, defective, or missing parts.

--Do no sudden seating or bouncing on the bed

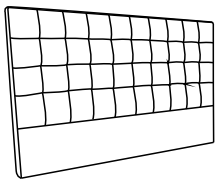
--Do not jump onto or off the bed

--Do not use the bed unless placed at a stable position

When you clean the bed, Please use a leather cleaner.

Suggested tools: electronic screwdriver

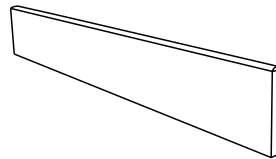
① HEAD BOARD(1pc)



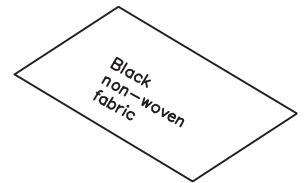
② FOOT BOARD(1pc)



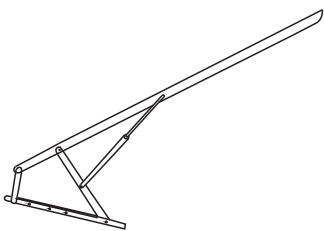
③ SIDE RAIL(2pc)



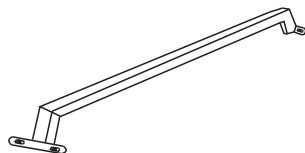
④ NON-WOVEN FABRIC



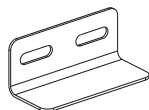
⑤ Pneumatic rod(2pc)



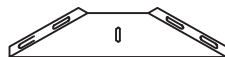
⑥ Bent rod(1pc)



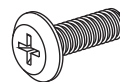
A:4



B:1



C:4



D:46



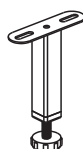
E:10



F:18

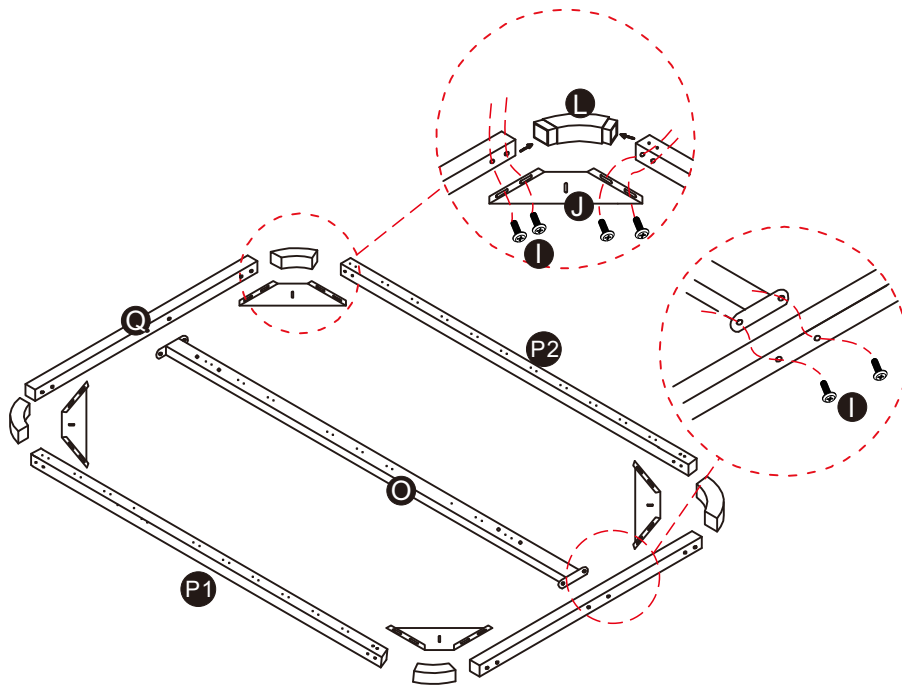


G:1

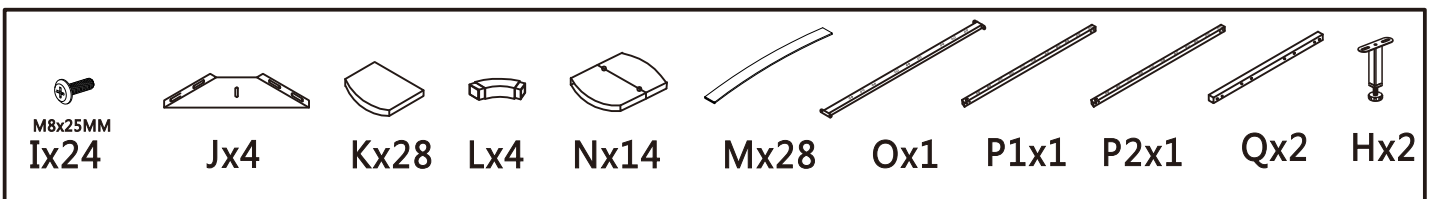
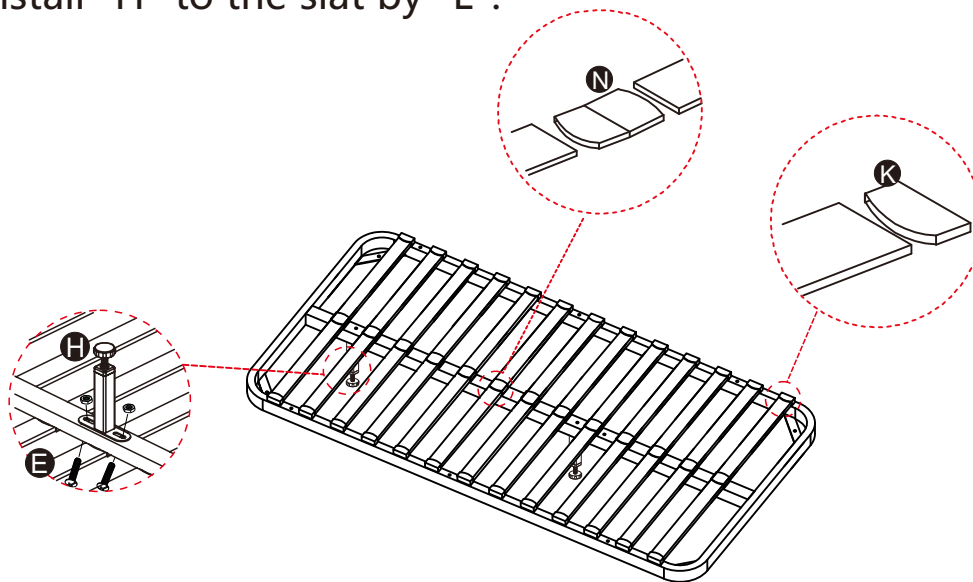


H:2

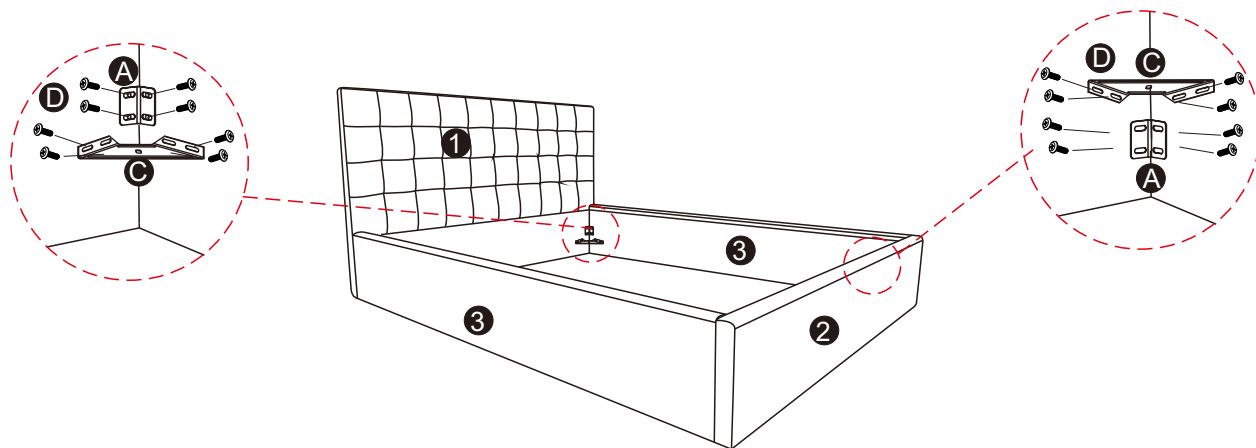
step1: connect the slat frame with metal bar "O,P,Q" by fittings "I,J,L"



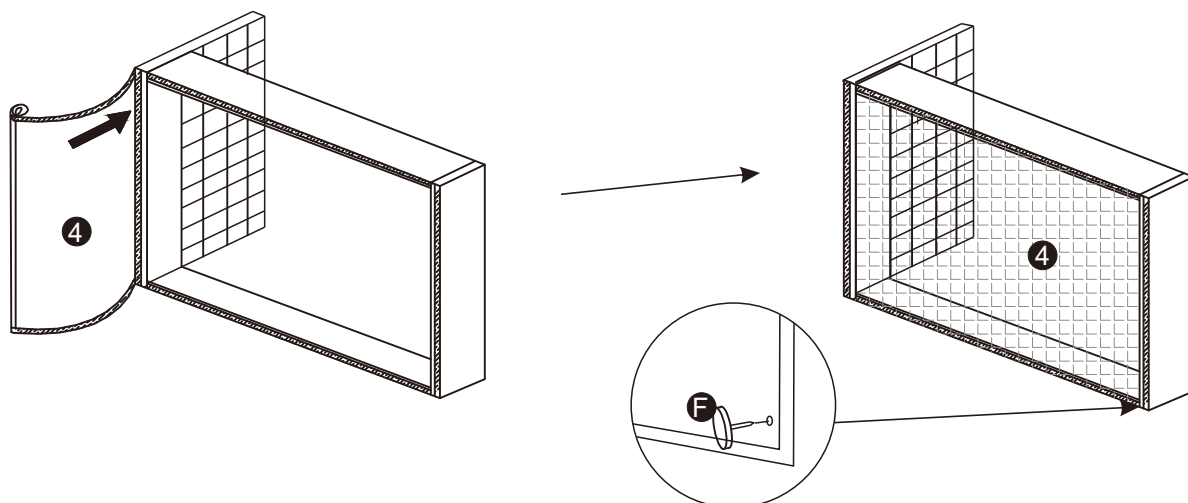
step1: Attach slat cap "K" to the ends of slats, connect slats with "N" in center, gently press the caps on the siderails of slats frame.
 step2: Install "H" to the slat by "E".



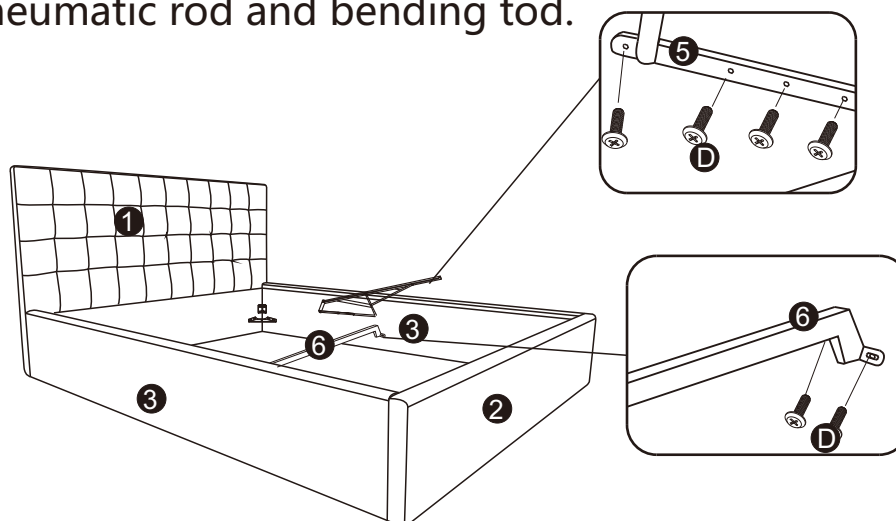
step3: Install corner code.



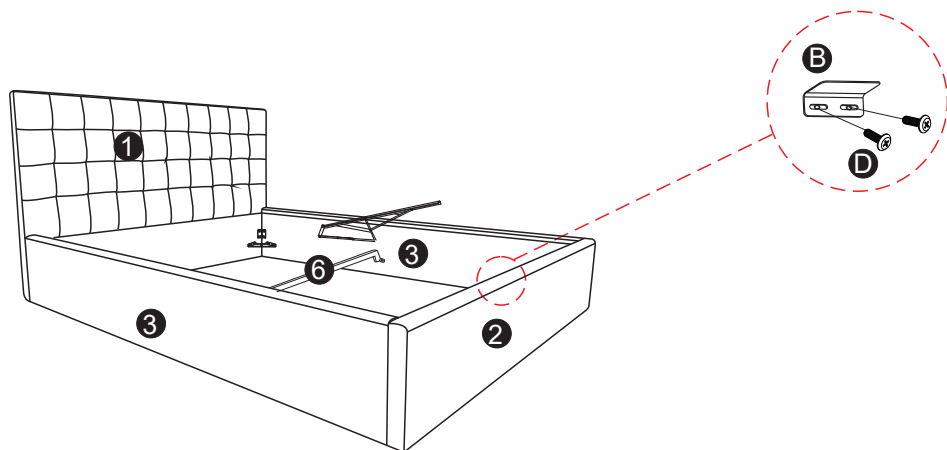
step4: Attach ④ non-woven fabric, There is sticky burr on the non woven fabric, so you can stick it easily.



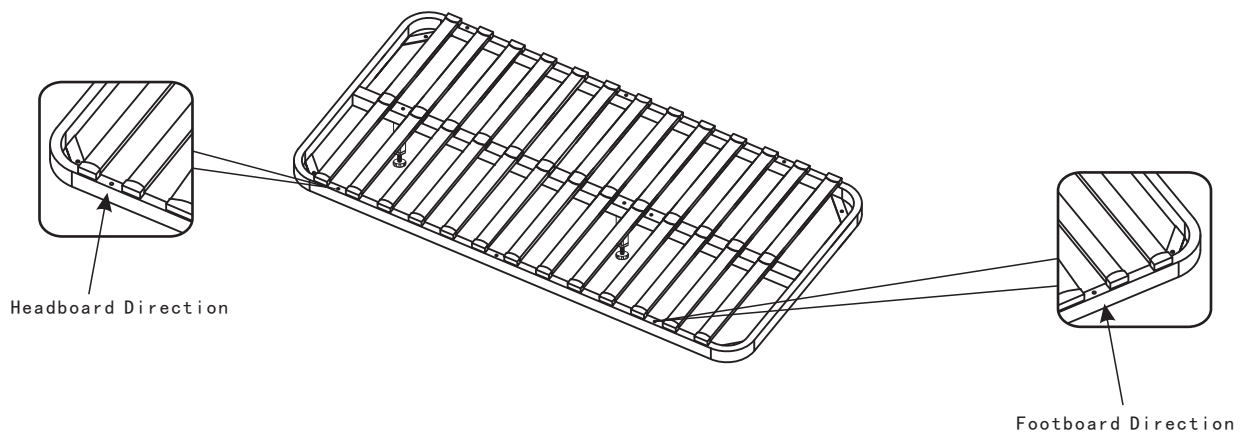
step5: Install pneumatic rod and bending tod.



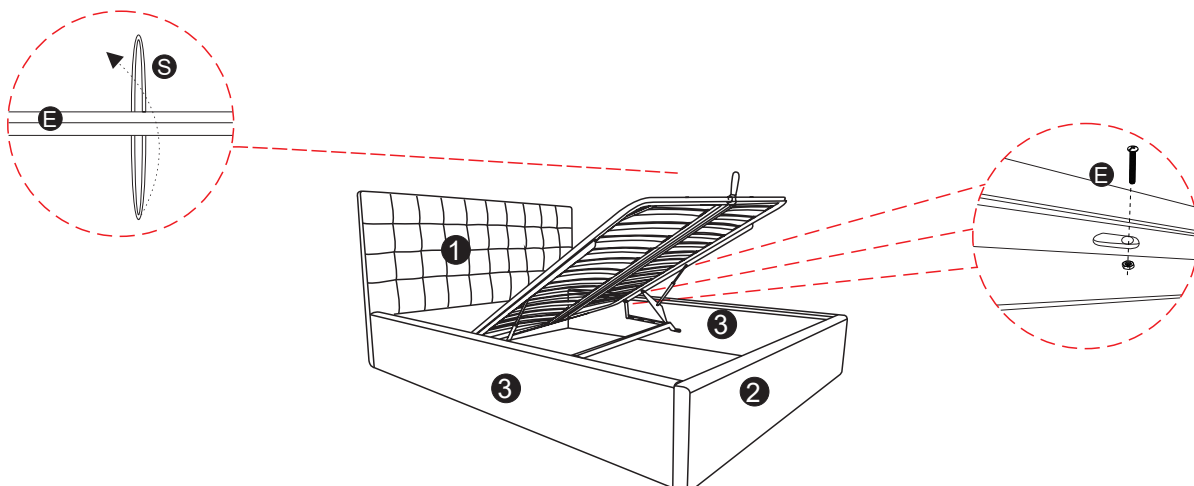
step6: Install plain code.



step 7: distinguish the slat direction when install into the pneumatic rod.



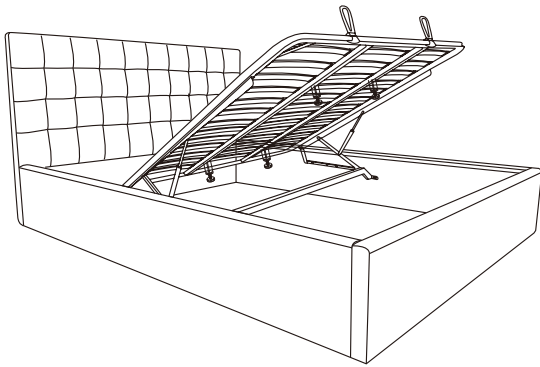
step 8: Installation of skeleton
step 9: fasten "S" on the rod



Attention:

1. Please use the bed after completely assemble it.
 2. The Hydraulic part Can't be operated separately by hand. It must be assembled on bed to function well.
 3. Make sure the hydraulic part silver part on top and green part on bottom
 4. Push HARD in the middle of the footboard of frame and the hydraulic will go down. Lift the frame if you want to use storage area .
- ***First time operate the bed, MORE POWER needed to push down and up
- ***Ensure that Children are well away from the bed when assemble

Eastern King



WARNING

inspect the bed before each use, make sure all components and parts are correctly and securely positioned. Do not use it if any worn, defective, or missing parts.

--Do no sudden seating or bouncing on the bed

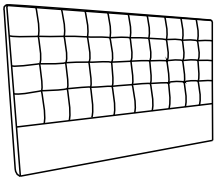
--Do not jump onto or off the bed

--Do not use the bed unless placed at a stable position

When you clean the bed, Please use a leather cleaner.

Suggested tools: electronic screwdriver

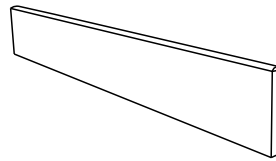
① HEAD BOARD(1pc)



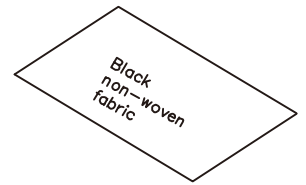
② FOOT BOARD(1pc)



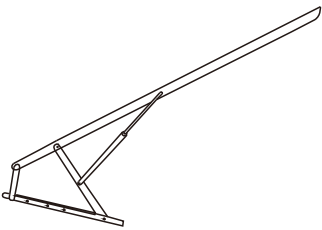
③ SIDE RAIL(2pc)



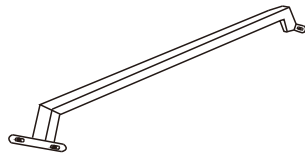
④ NON-WOVEN FABRIC



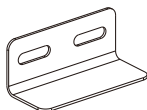
⑤ Pneumatic rod(2pc)



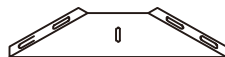
⑥ Bent rod(1pc)



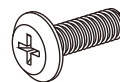
A:4



B:1



C:4



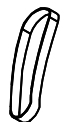
D:46



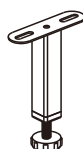
E:14



F:18

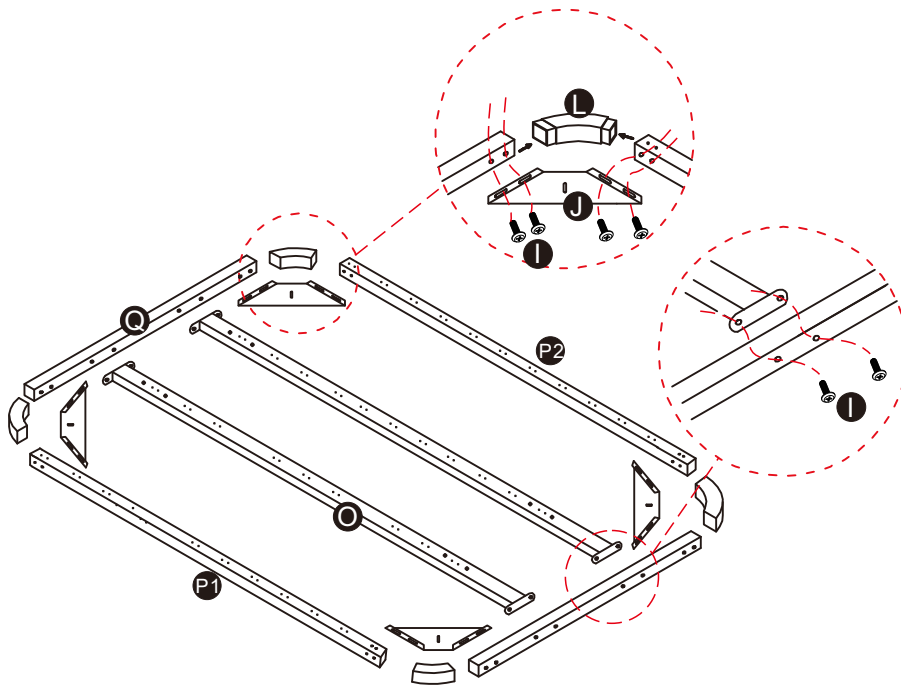


G:2

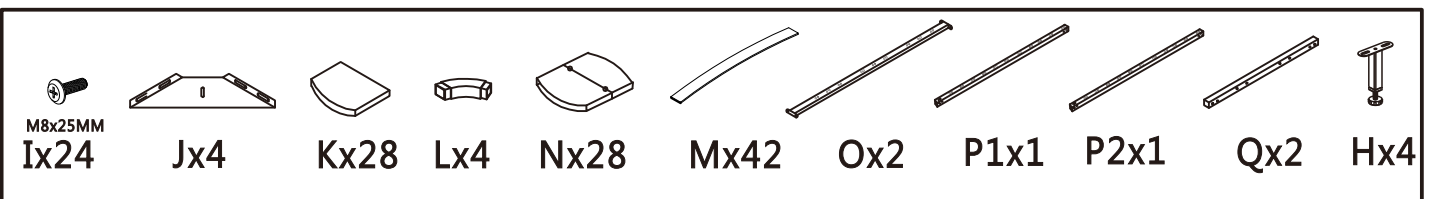
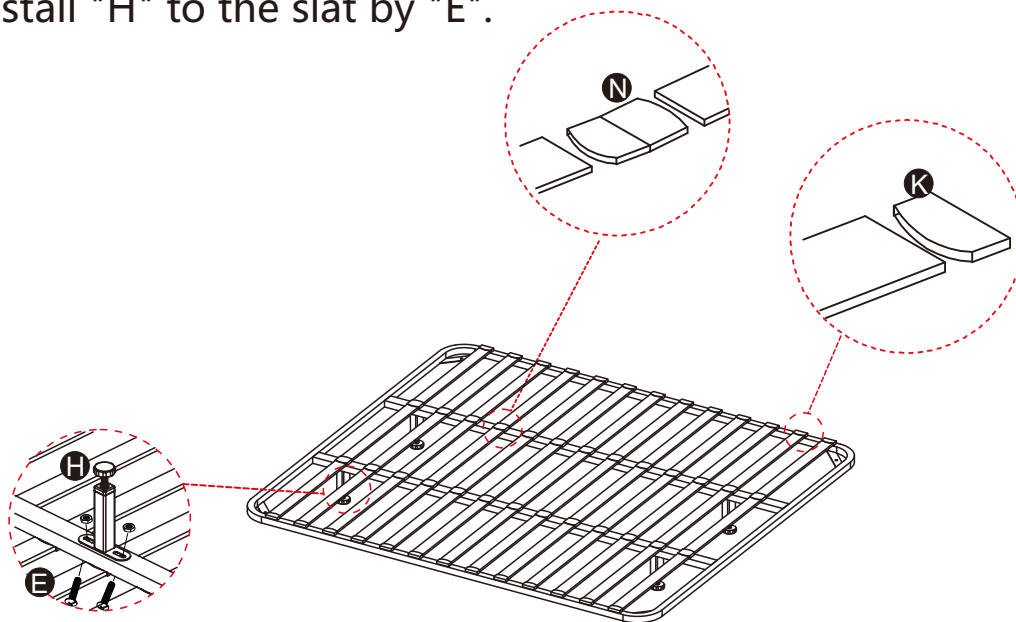


H:4

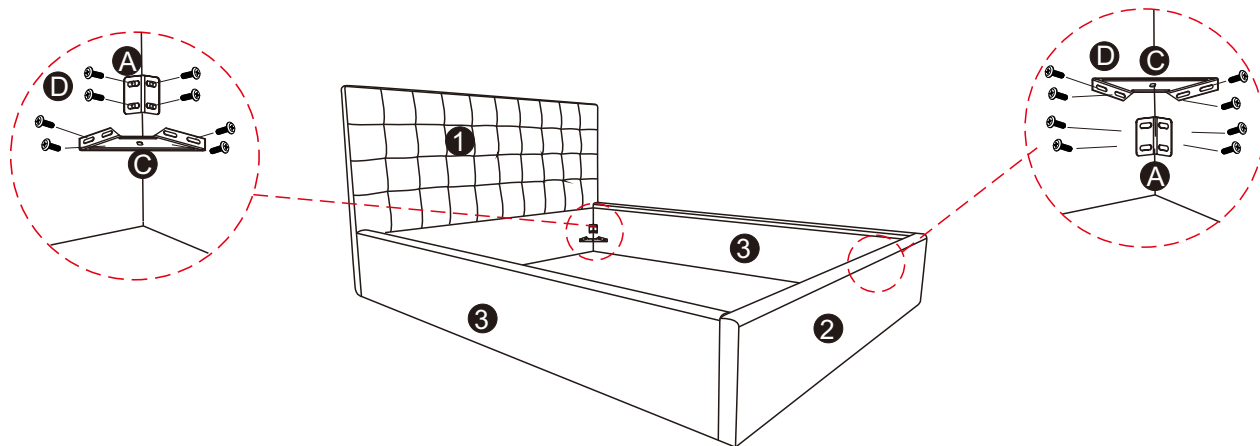
step1: connect the slat frame with metal bar "O,P,Q" by fittings "I,J,L"



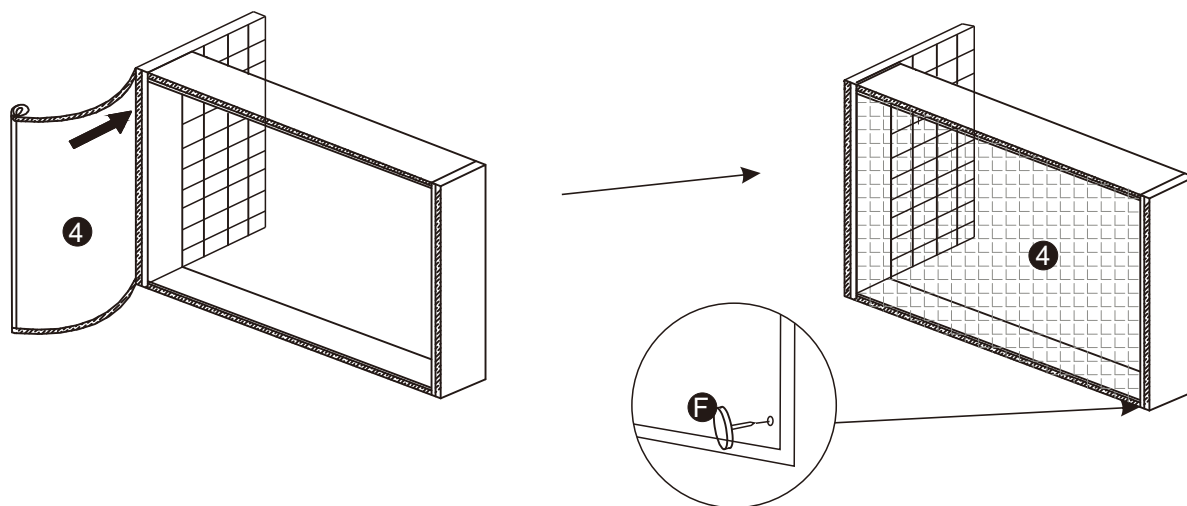
step1: Attach slat cap "K" to the ends of slats,connect slats with "N" in center,gently press the caps on the siderails of slats frame.
 step2: Install "H" to the slat by "E".



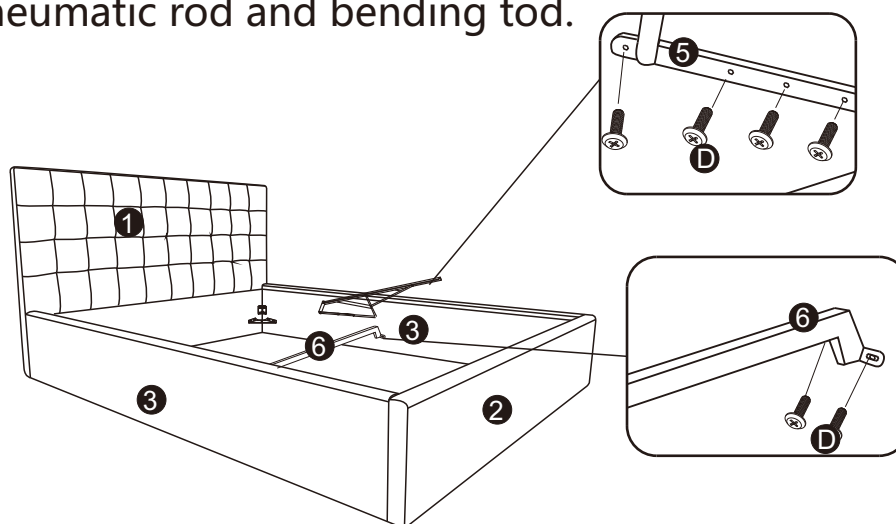
step3: Install corner code.



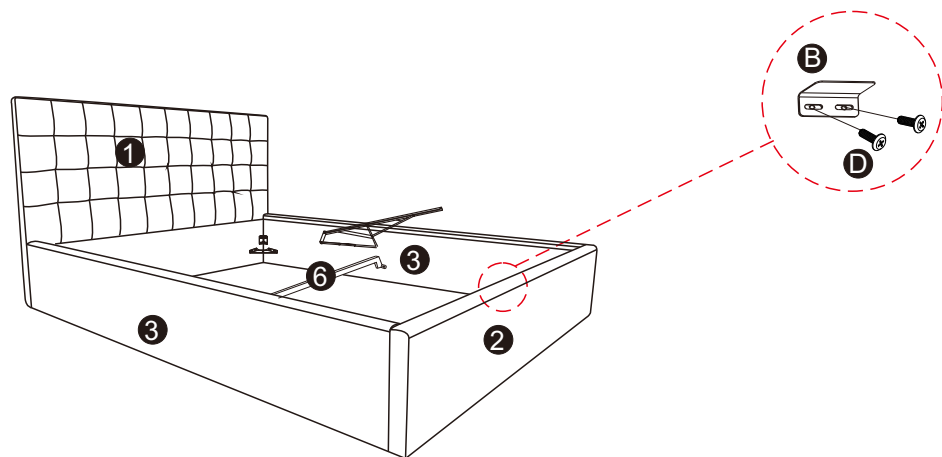
step4: Attach ④ non-woven fabric, There is sticky burr on the non woven fabric, so you can stick it easily.



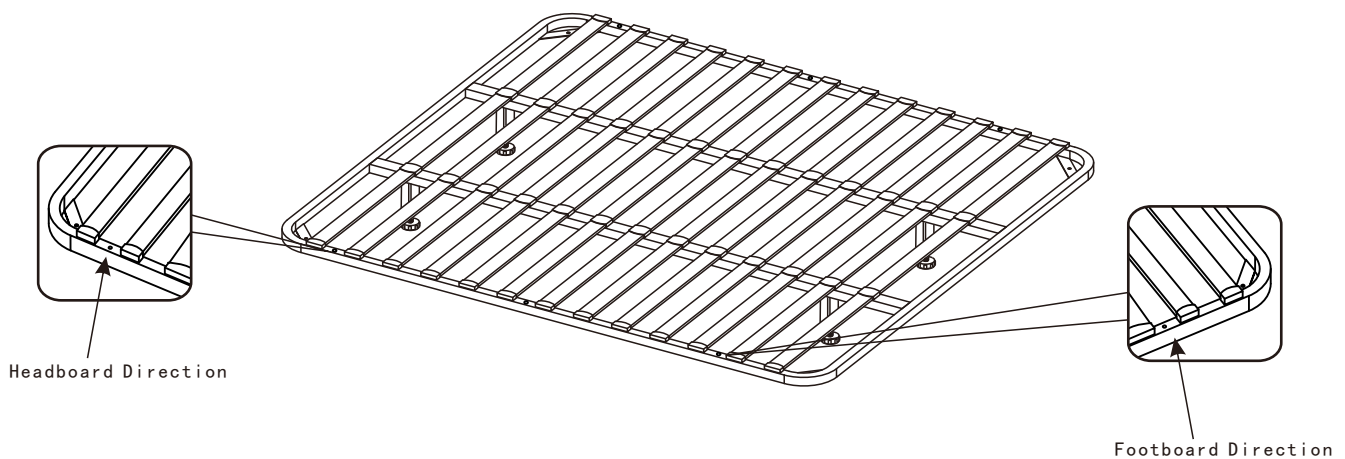
step5: Install pneumatic rod and bending tod.



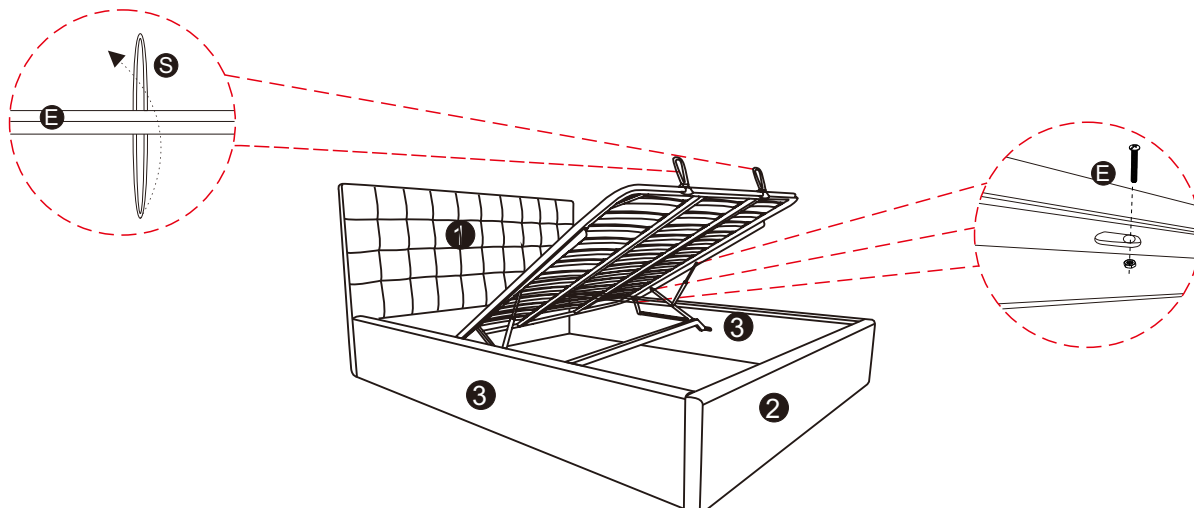
step 6: Install plain code.



step 7: distinguish the slat direction when install into the pneumatic rod.



step 8: Installation of skeleton
step 9: fasten "S" on the rod



Attention:

1. Please use the bed after completely assemble it.
 2. The Hydraulic part Can't be operated separately by hand. It must be assembled on bed to function well.
 3. Make sure the hydraulic part silver part on top and green part on bottom
 4. Push HARD in the middle of the footboard of frame and the hydraulic will go down. Lift the frame if you want to use storage area .
- ***First time operate the bed, MORE POWER needed to push down and up
- ***Ensure that Children are well away from the bed when assemble