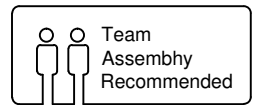
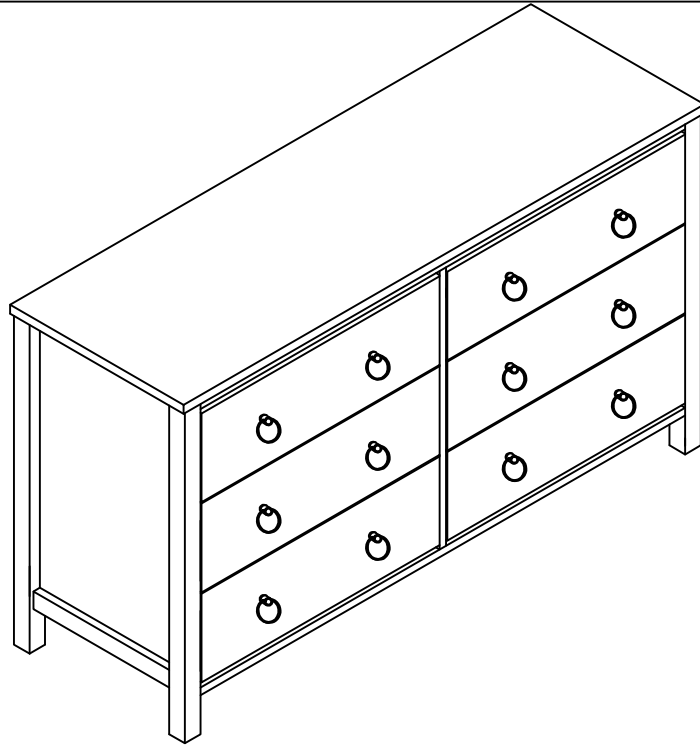


Assembly instruction



Trouble shooting:

Missing/Wrong /Broken parts and installation issues



Send email with your question pic, order NO. and screenshot of order details



Respond within 24 hours



Issue resolved

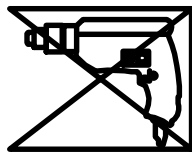
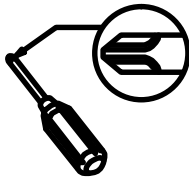
Tips!



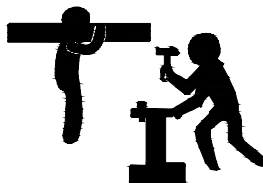
1. Check all the components & screws are intact before assembling .
2. If you notice any pieces are missing or damaged please do not assemble and contact us immediately .
3. **Please send an email with you order number and issues,we will respond within 24 hours.**

Tools required

A Phillips head screw driver is required for the assembly of this product. (not included)
Electric tool should not be used to assemble this product.



Two people are needed



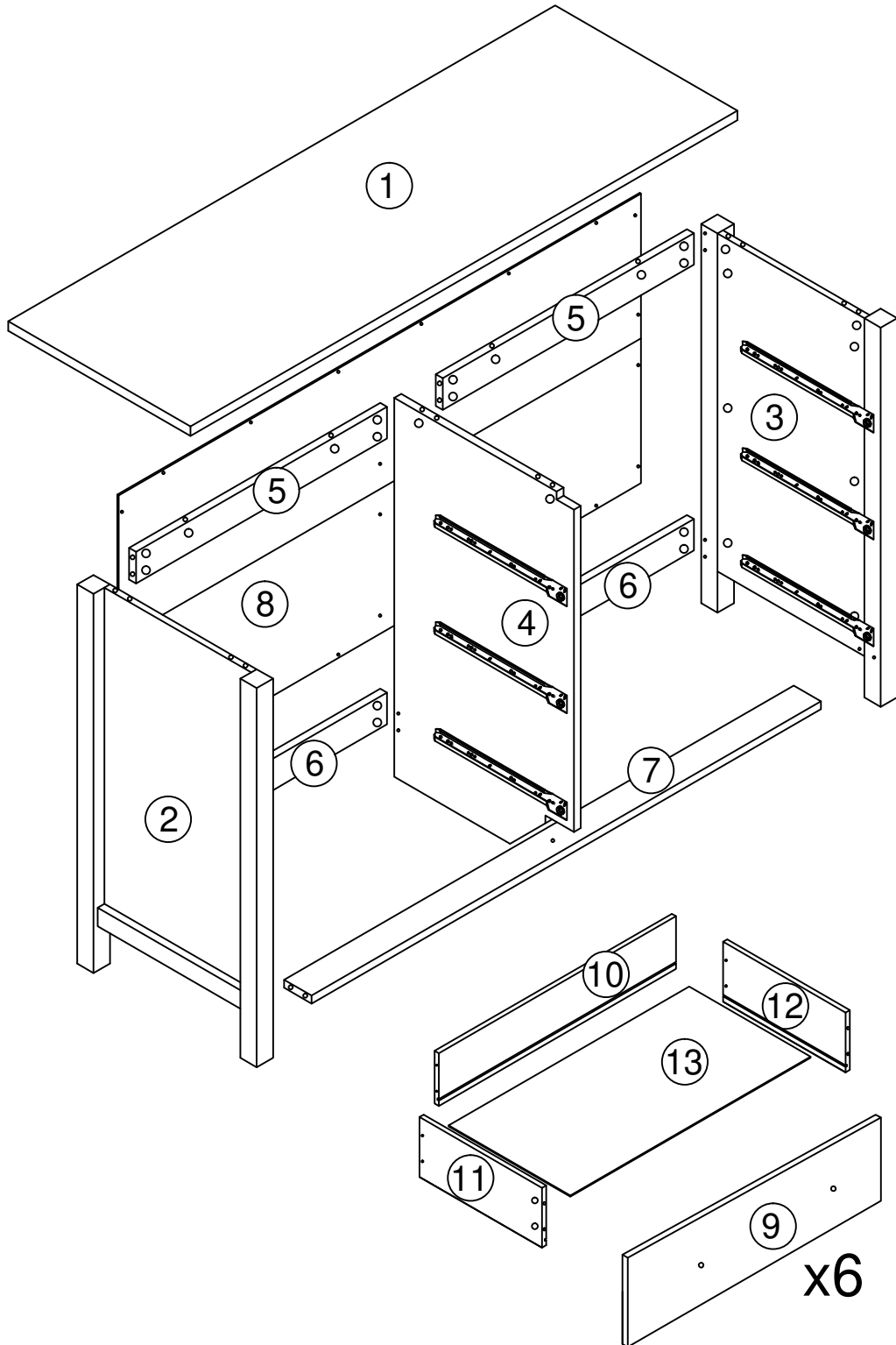
IMPORTANT SAFETY INFORMATION

- Please carefully read the following instructions and caution warnings before assembling the product.
- Following this guide will ensure that you install, use and maintain the product properly.
- Please keep this installation and user manual/instructions for future reference in case you need to disassemble the product.
- Never allow children to climb onto the product. Ensure that you have special safety measures when children are around on their own.
- Be sure to check that all parts of the product are intact after you open the package.
- Do not assemble if you notice serious damage such as cracks or bends.
- During installation, please use work gloves for hand safety.
- Please assemble the unit on carpeted floor or the flat cardboard box to avoid scratching the surface or your floor while assembling on the floor.
- To assemble, please use the complimentary installation tools (Phillips screwdriver). Pay more attention to the direction of components at each steps.
- It is recommended that two people work together to assemble the product.

RETURN POLICY

- Please contact us directly within 30 days after receiving.
- Ensure the product is in a good condition with the original box and all original certificates of purchase, manuals, and accessories attached.

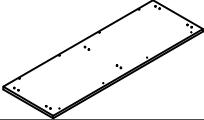
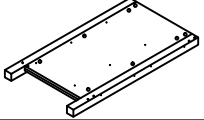
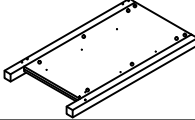
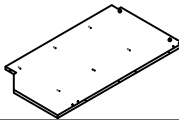
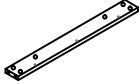
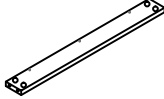
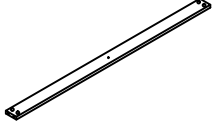
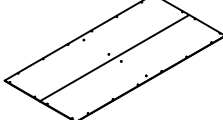
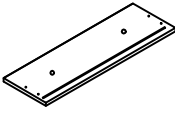
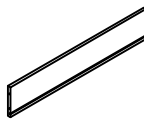
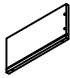
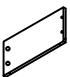
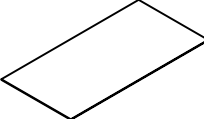
Please check that you have all the parts listed below





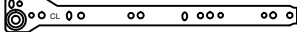
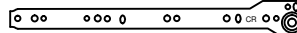

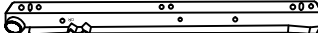









Note: Don't tighten all screws during installation.

HARDWARE LIST

Components:

	① X1
	② X1
	③ X1
	④ X1
	⑤ X2
	⑥ X2
	⑦ X1
	⑧ X1
	⑨ X6
	⑩ X6
	⑪ X6
	⑫ X6
	⑬ X6

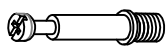
Screws & Tools:

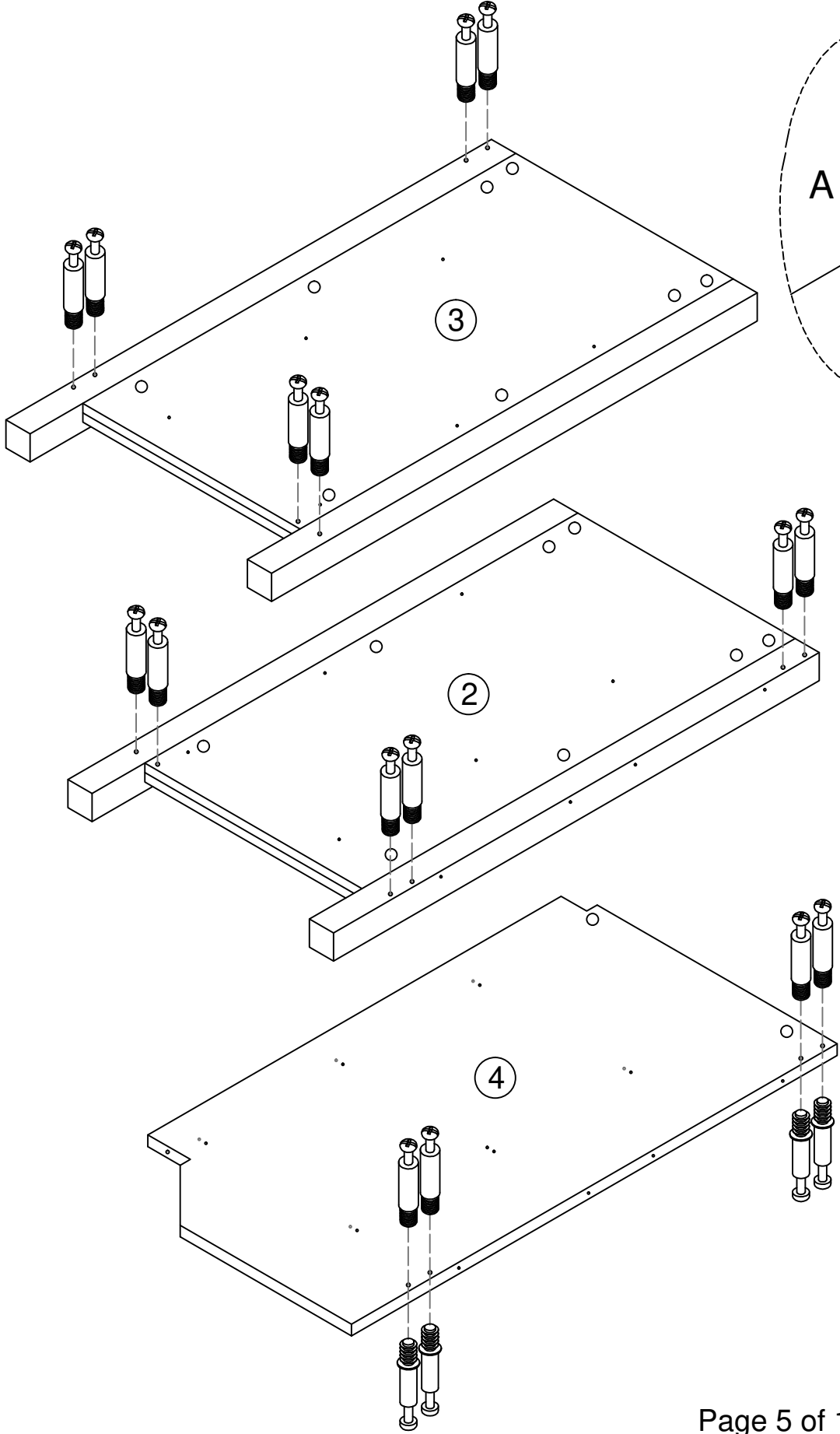
Ⓐ		∅6*28mm	54+1pcs
Ⓑ		∅15x9 mm	54+1pcs
Ⓒ-L			6pcs
Ⓒ-R			6pcs
Ⓓ-L			6pcs
Ⓓ-R			6pcs
Ⓔ		∅3.5x14 mm	48+1pcs
Ⓕ		∅3.5x35 mm	24+1pcs
Ⓜ		∅8x30 mm	6+1pcs
Ⓝ		∅5x40 mm	1pcs
Ⓙ		M3mm	1pcs
Ⓛ		∅4x14 mm	24+1pcs
Ⓡ			12+1pcs
Ⓢ		∅5x18 mm	12+1pcs
Ⓡ			2pcs

Check all the components & screws before assembly.
Do not install in case part is missing, contact us to get.
Send email with your question

We will resend within 24 hours.

Step 1

A x 20pcs


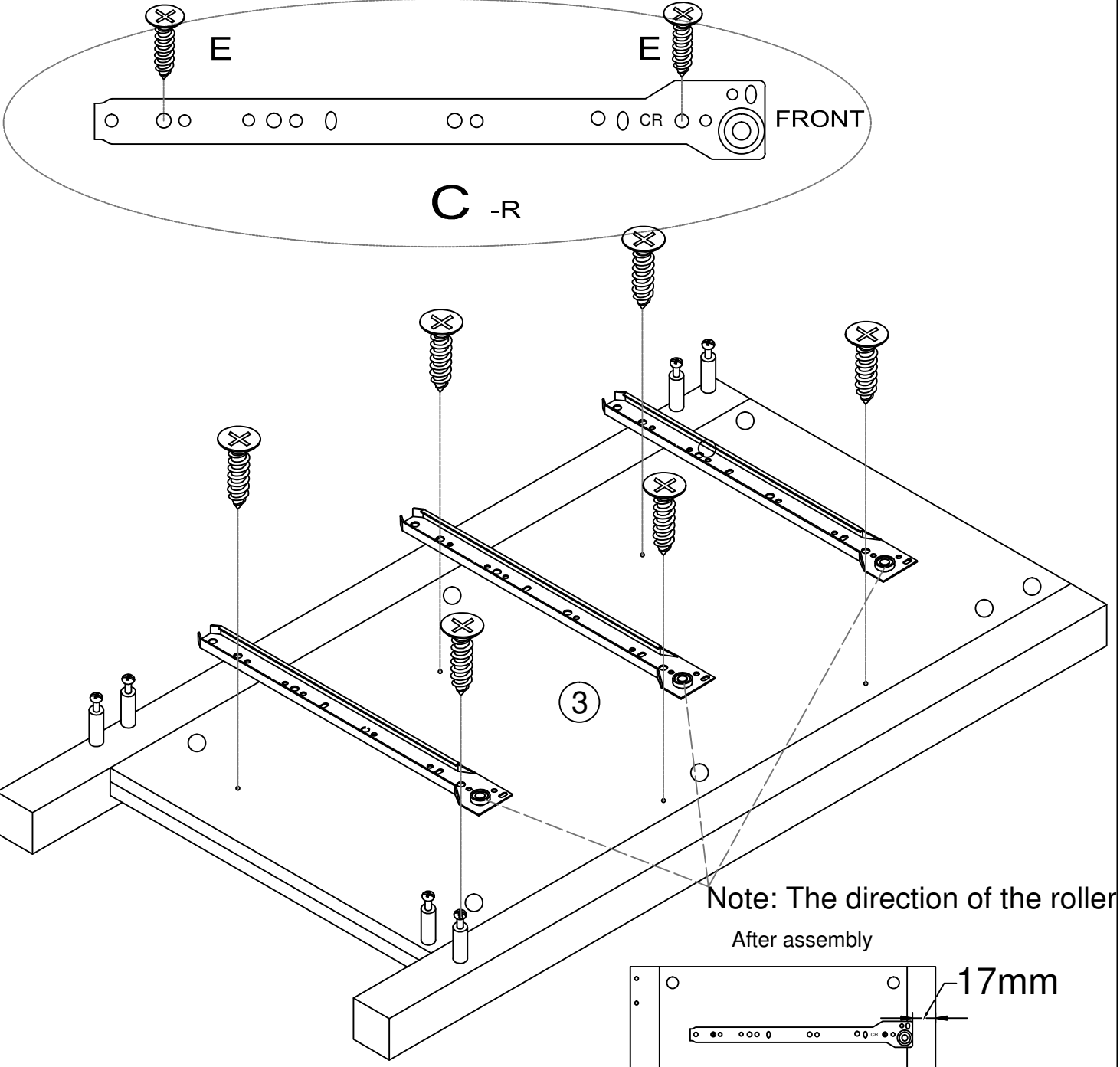



Step 2

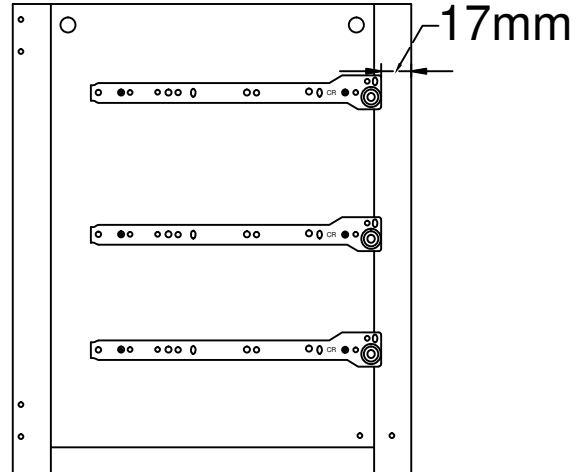
C-R x 3pcs



E x 6pcs

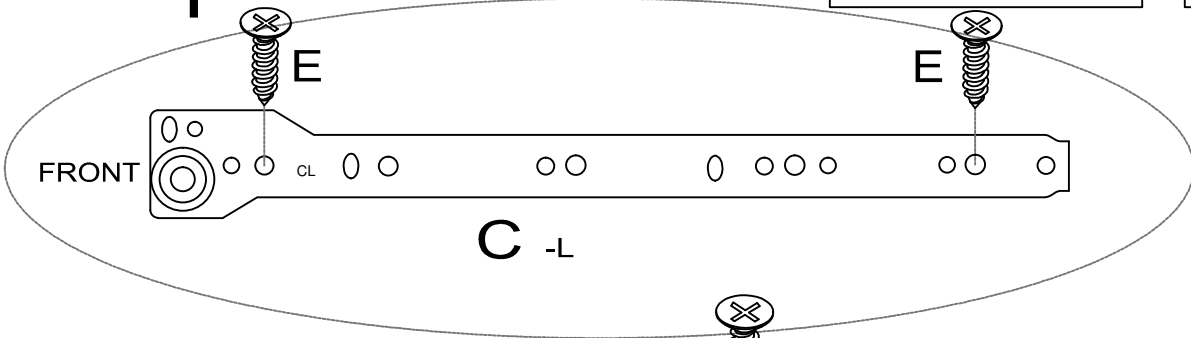
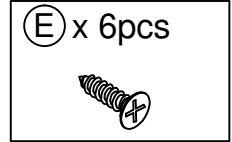
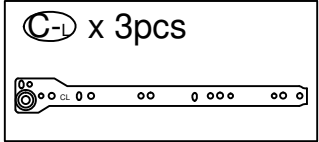


Note: The direction of the roller
After assembly

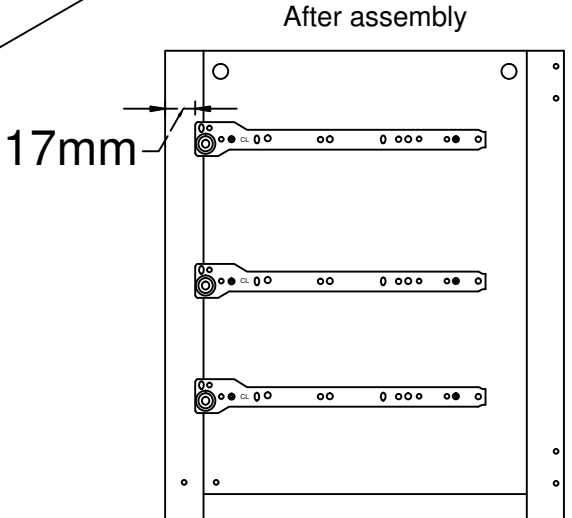
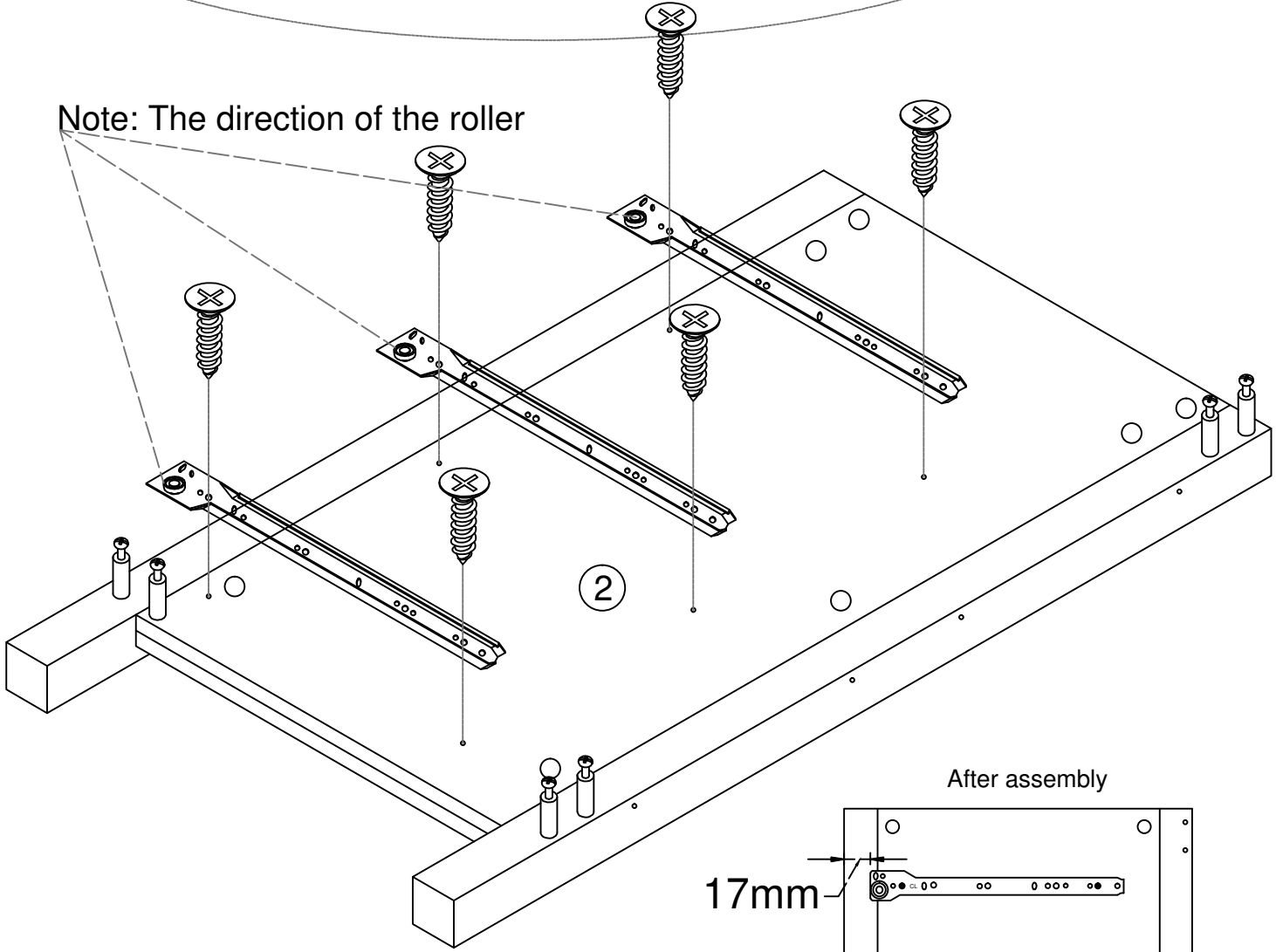


Noted the distance of glide to edge is 17mm

Step 3

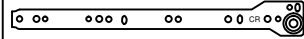


Note: The direction of the roller

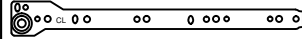


Noted the distance of glide to edge is 17mm

C-R x 3pcs



C-L x 3pcs

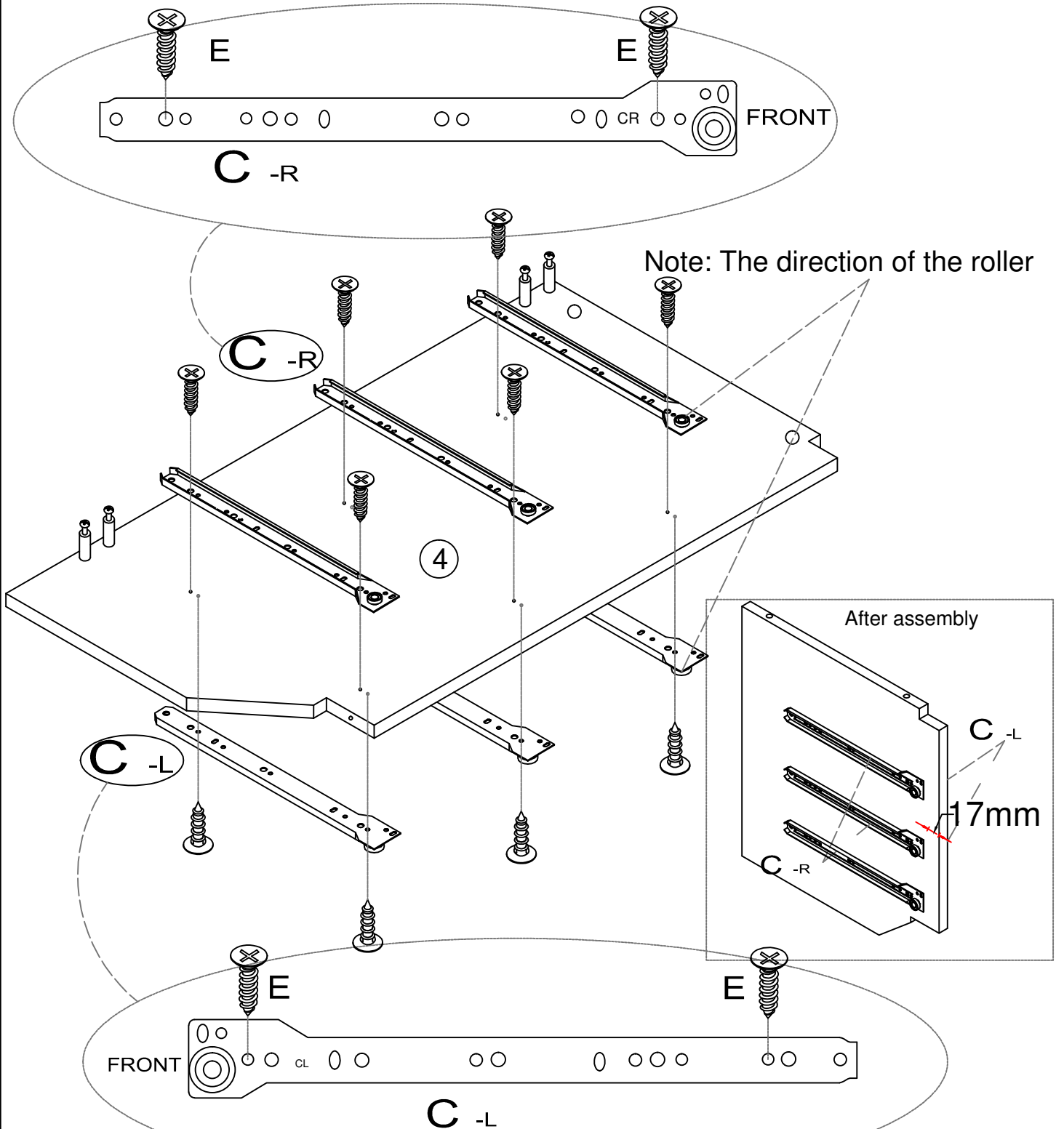


E x 12pcs




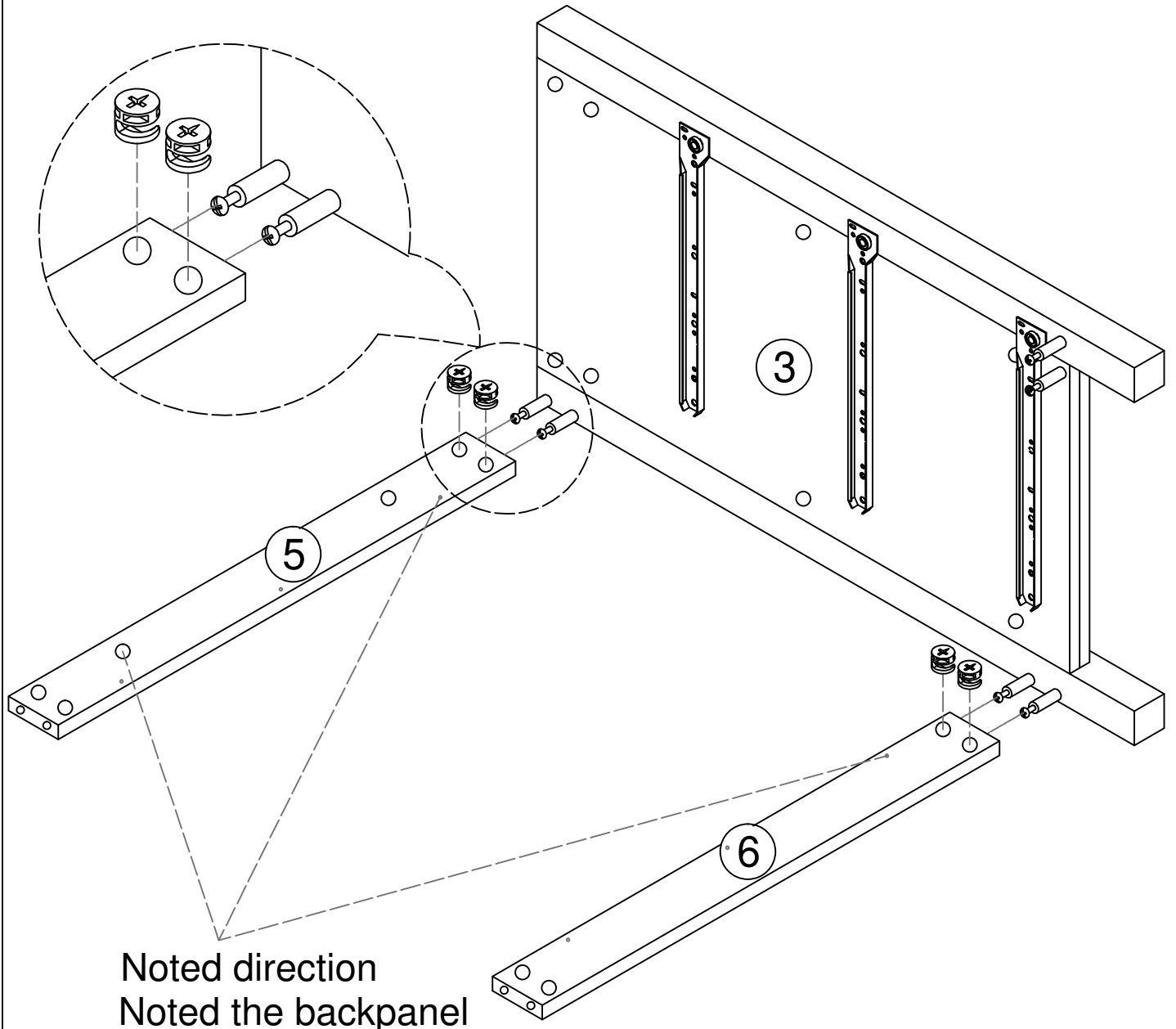
Step 4

Please noted the screw assembly holes is different between the C-L and C-R



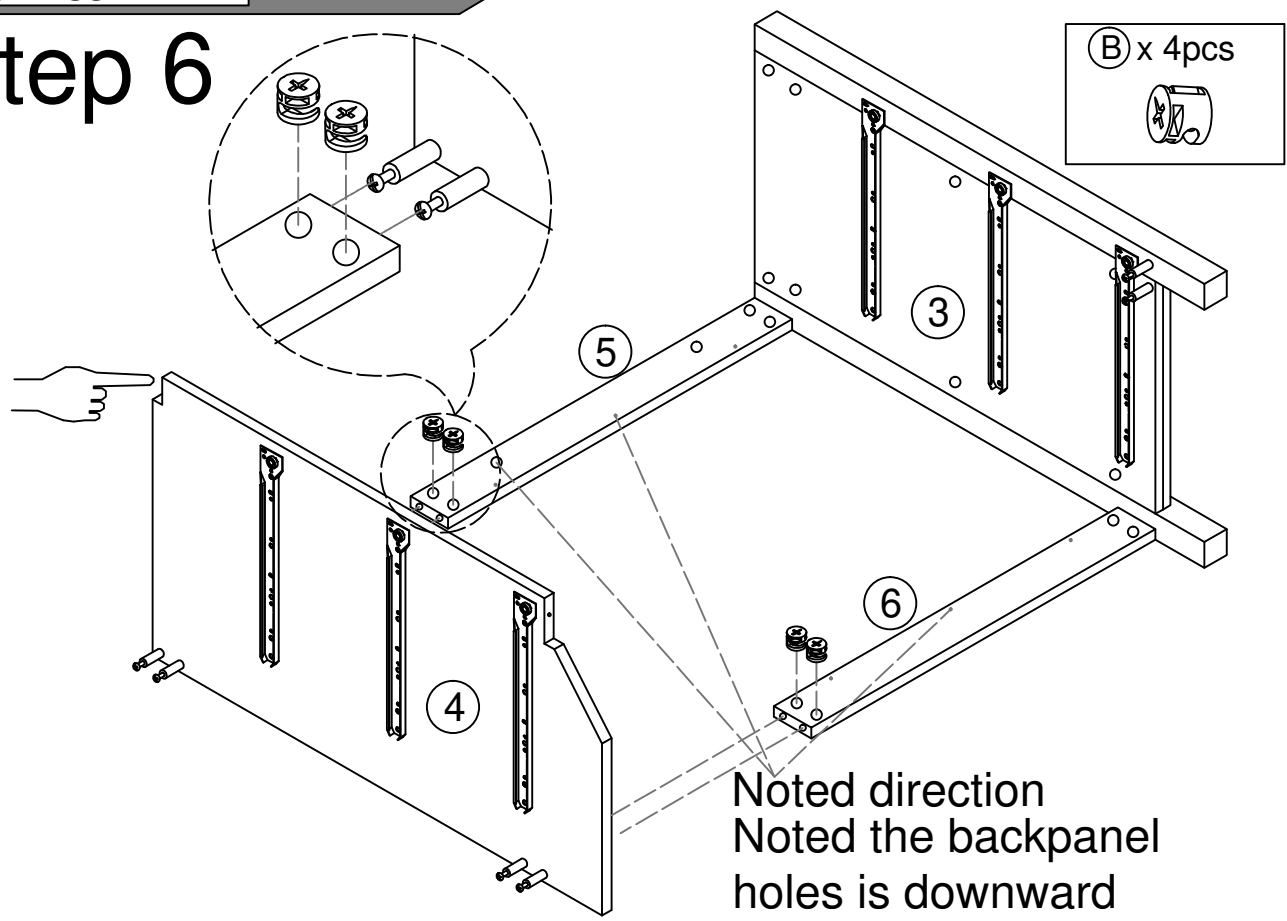
Step 5

(B) x 4pcs


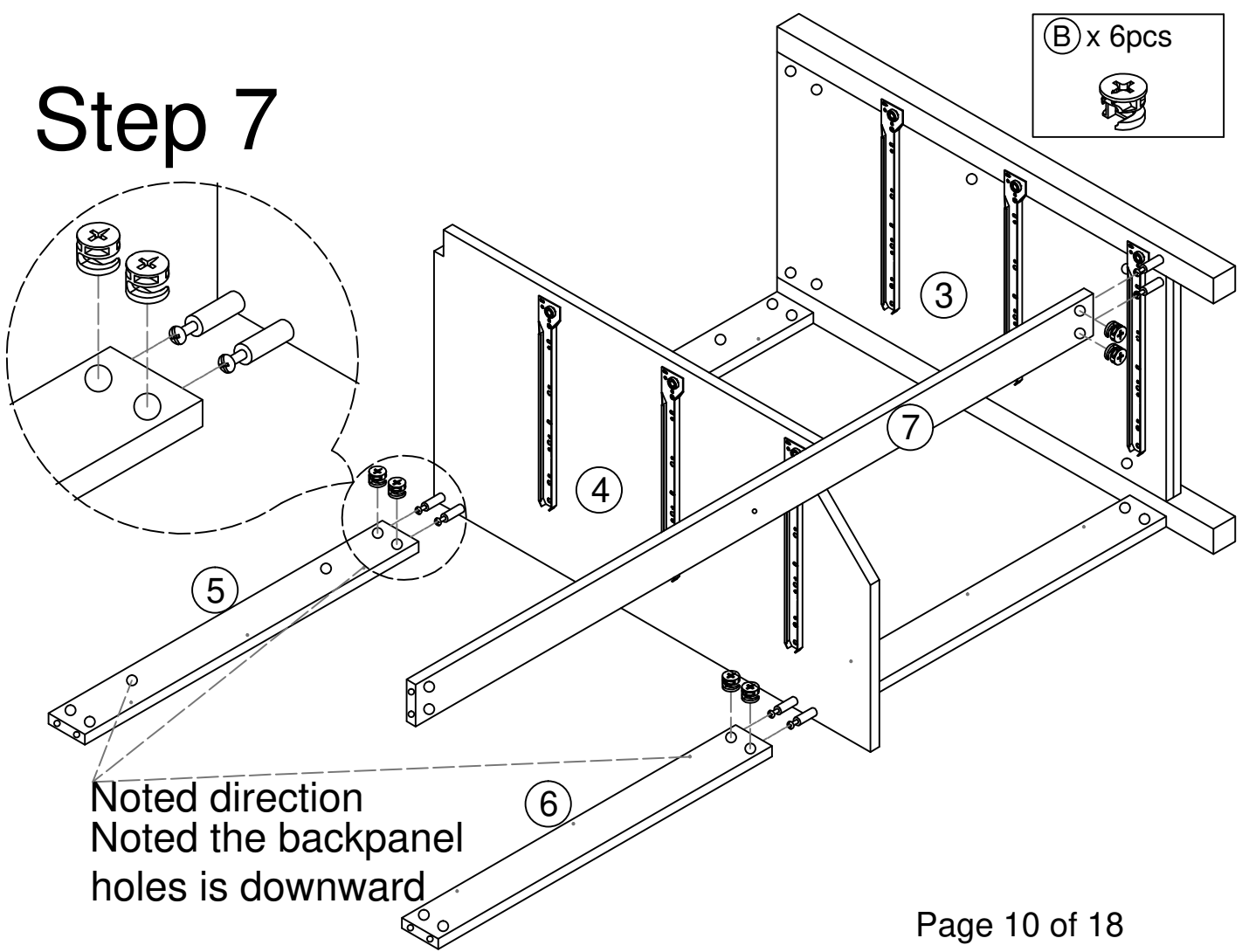


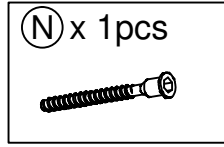
Noted direction
Noted the backpanel
holes is downward

Step 6



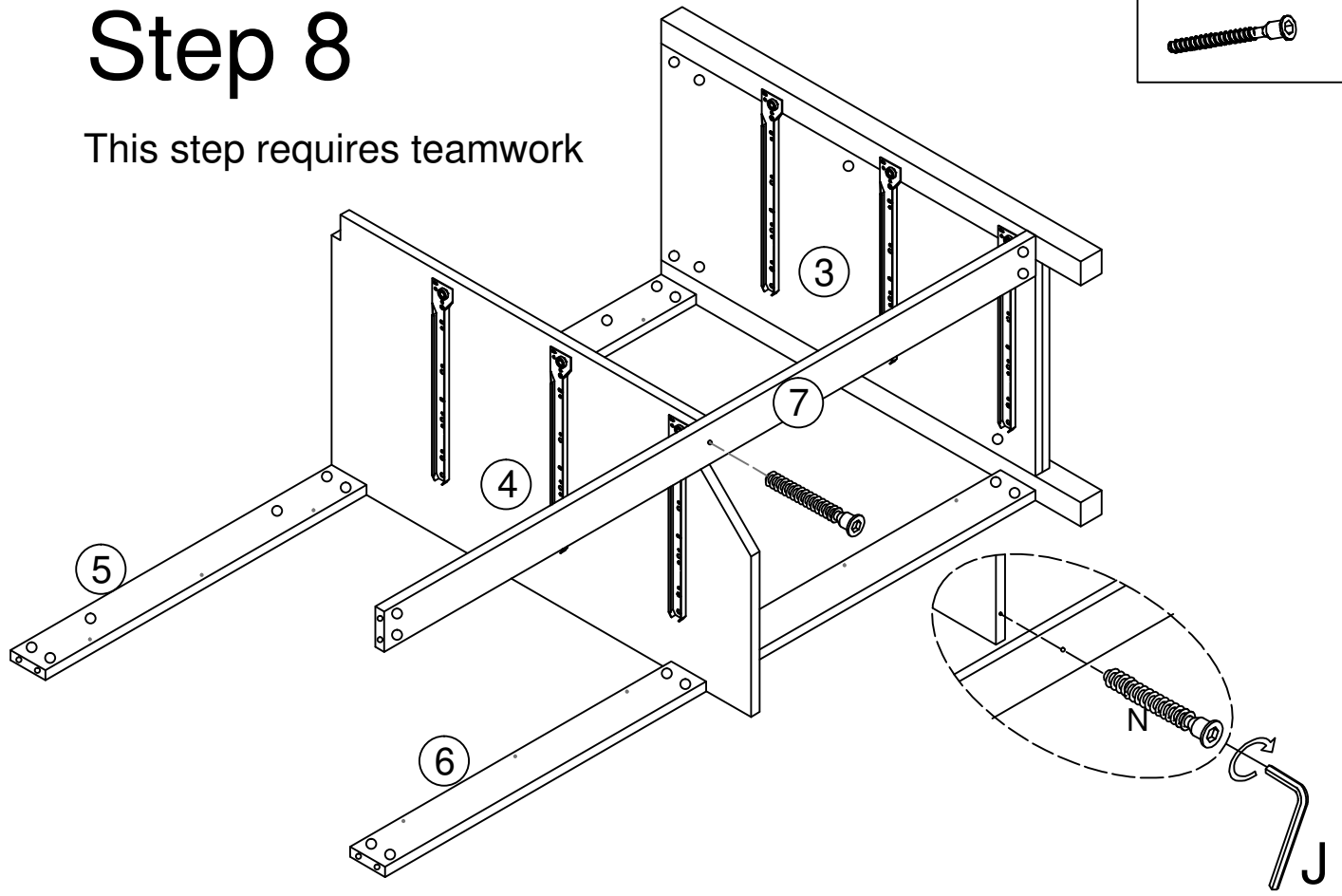
Step 7



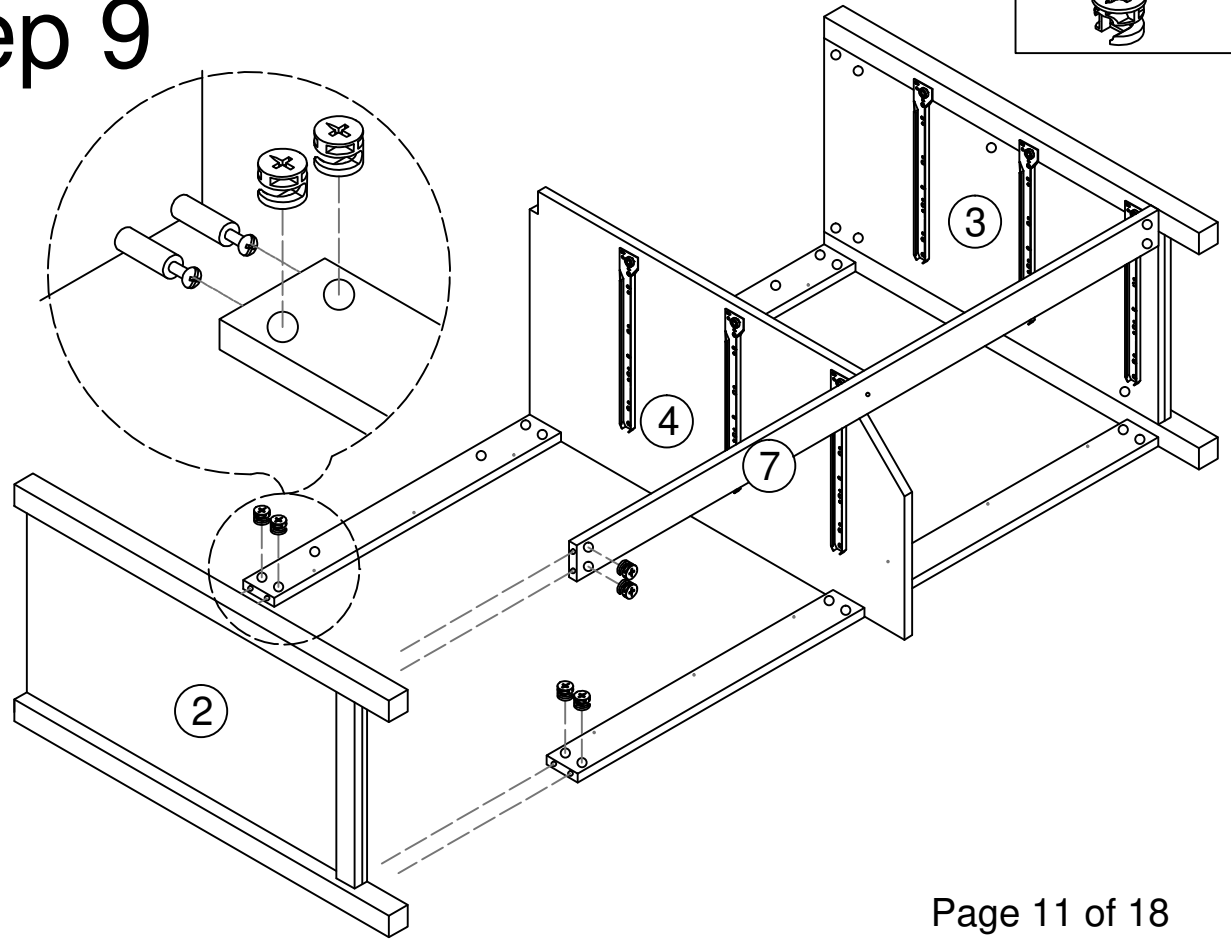


Step 8

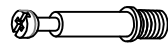
This step requires teamwork

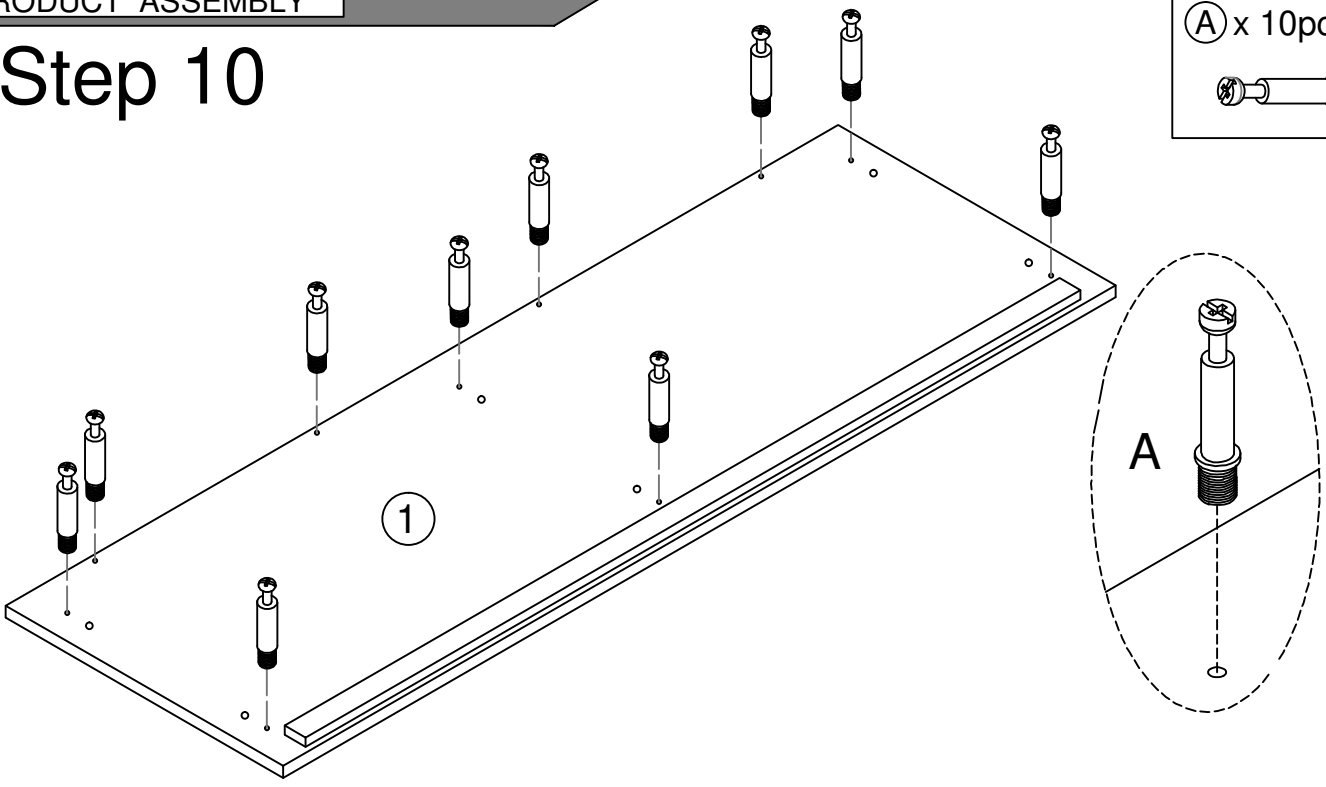


Step 9





Step 10

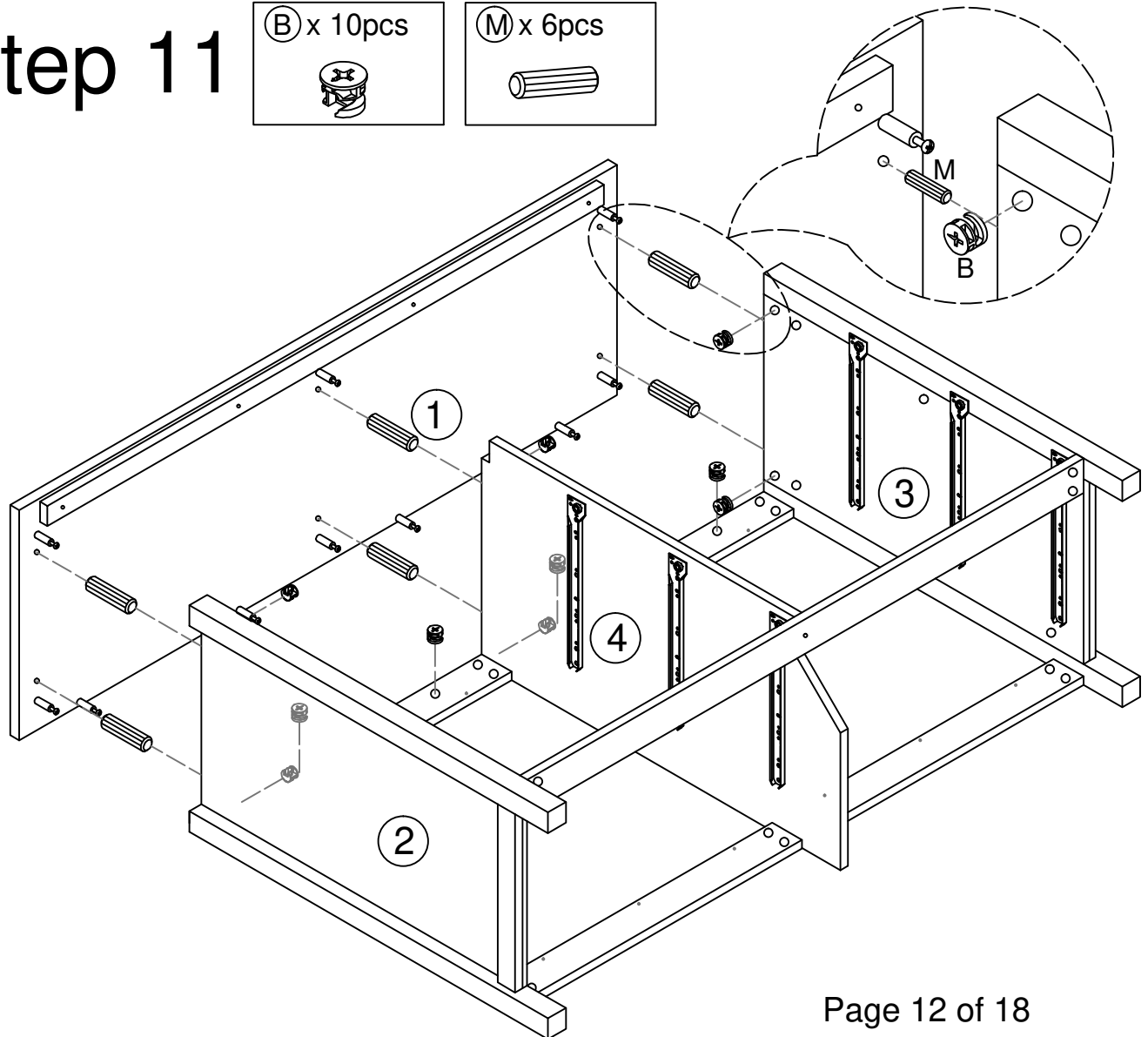
(A) x 10pcs





Step 11

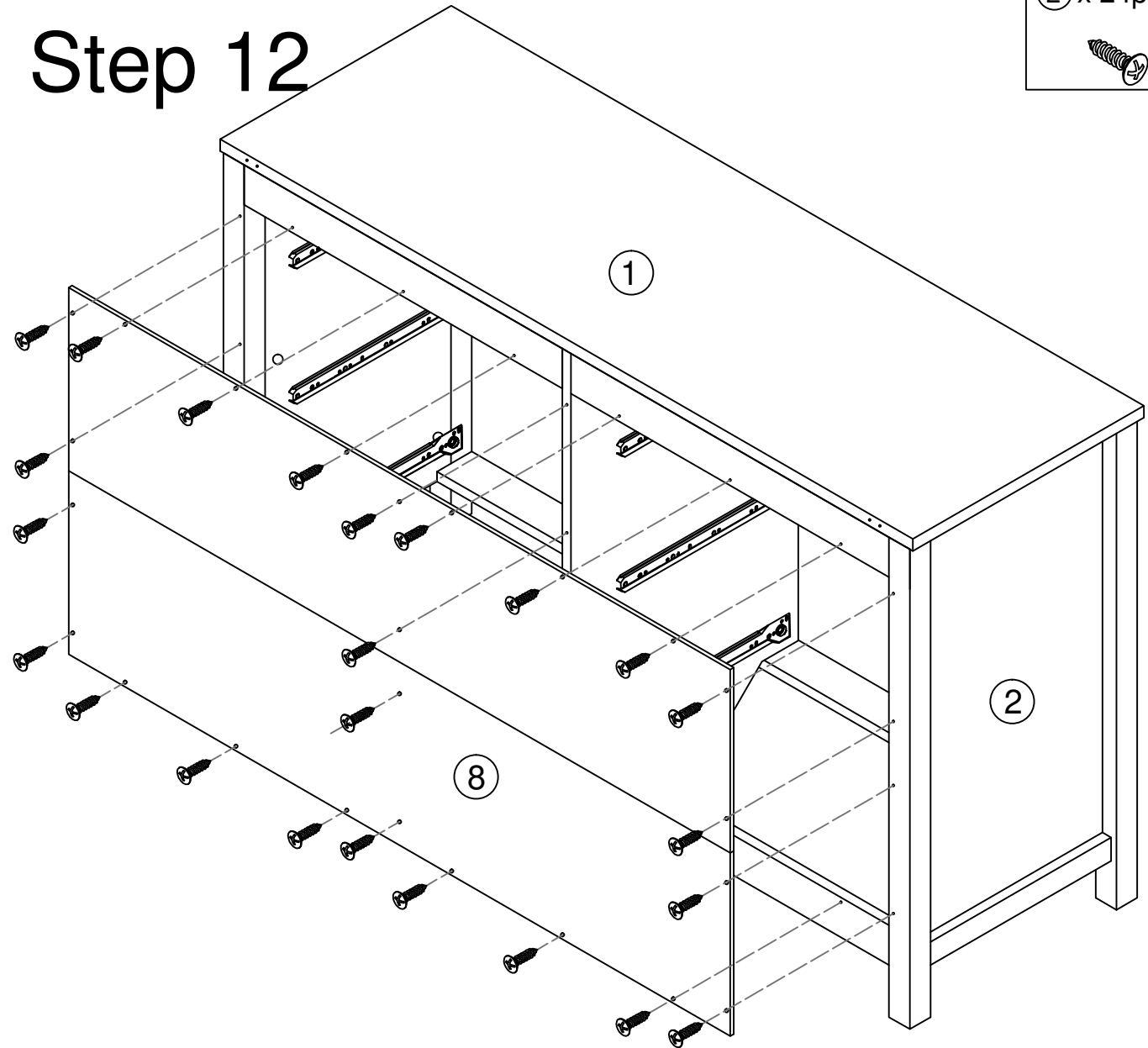
(B) x 10pcs


(M) x 6pcs


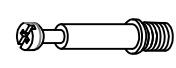


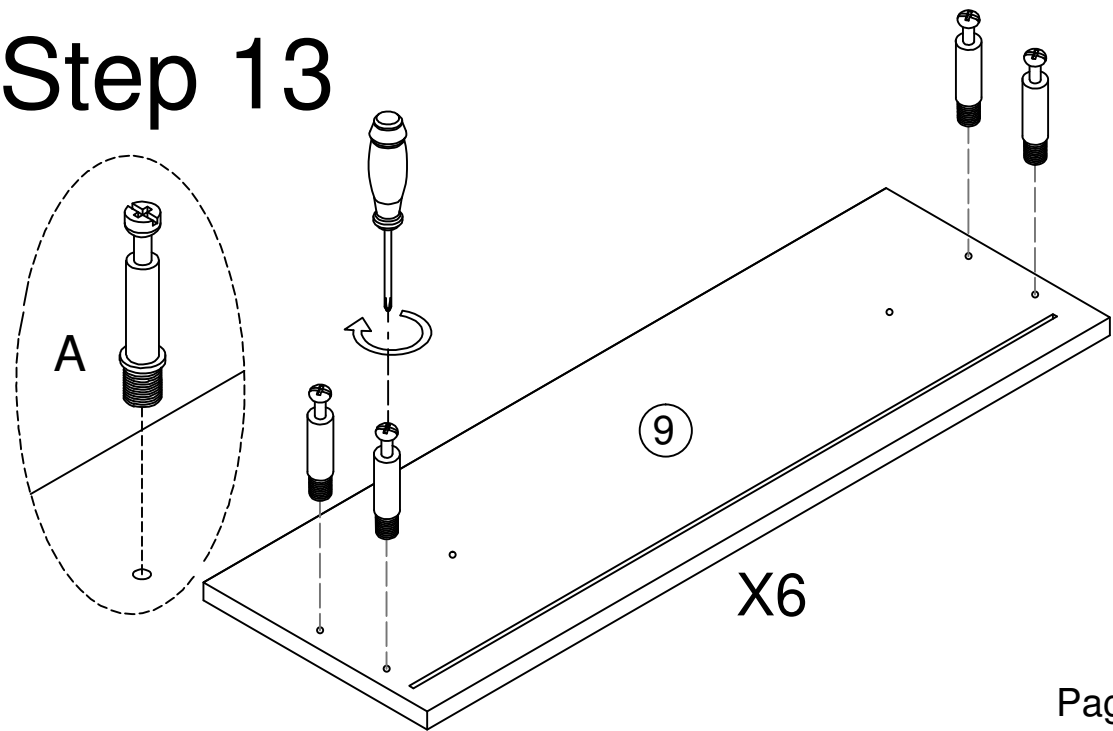
(L) x 24pcs


Step 12



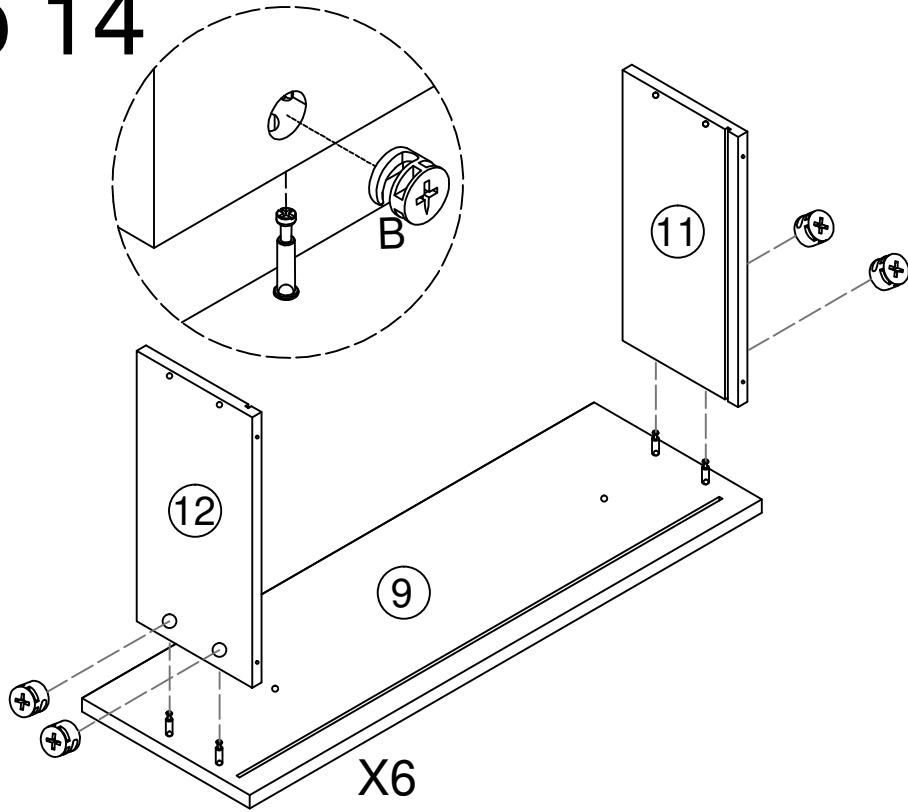
Step 13

(A) x 24pcs


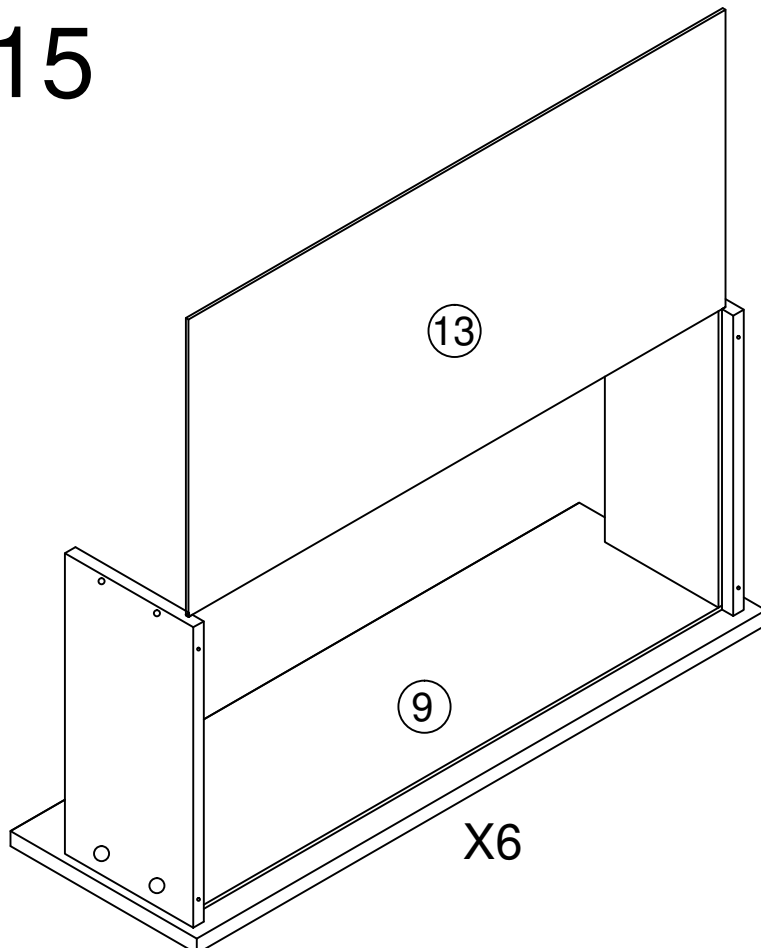


Step 14


(B) x 24pcs

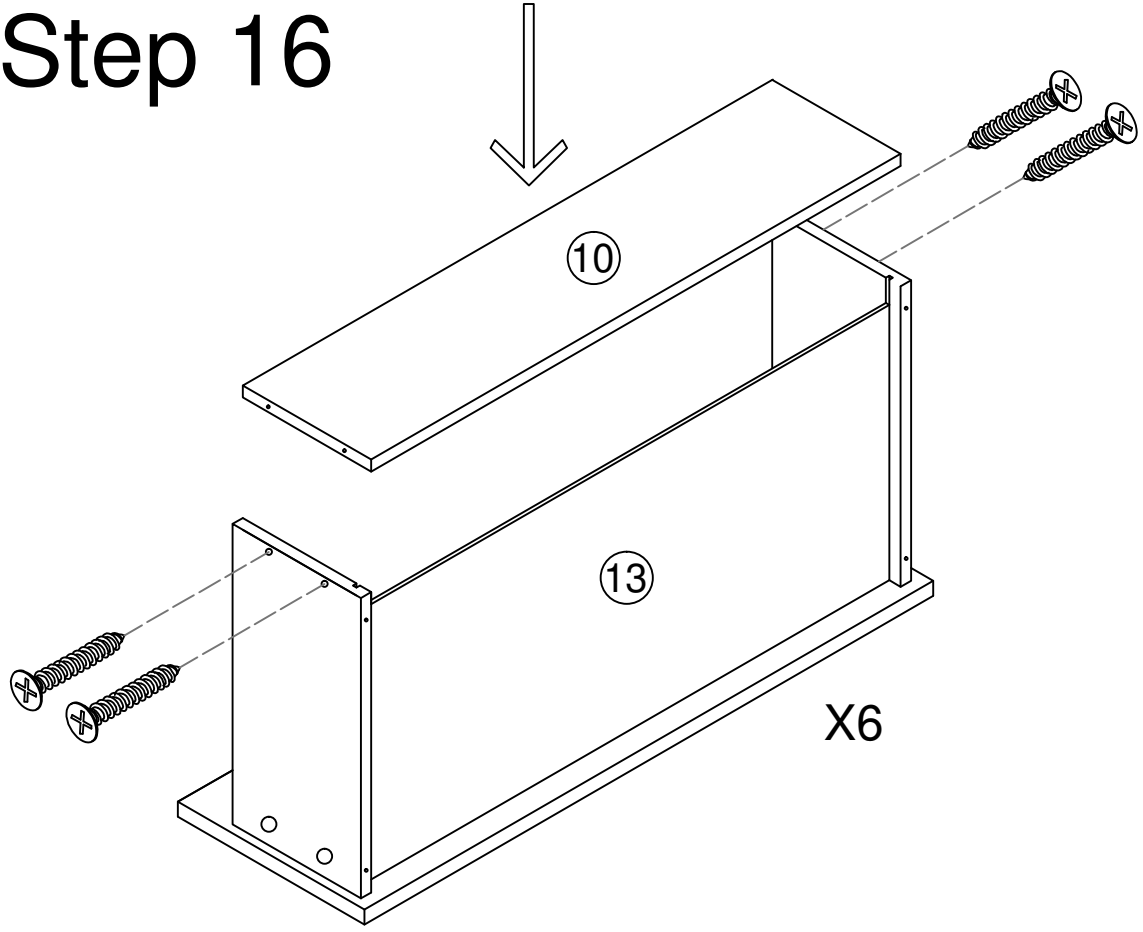


Step 15





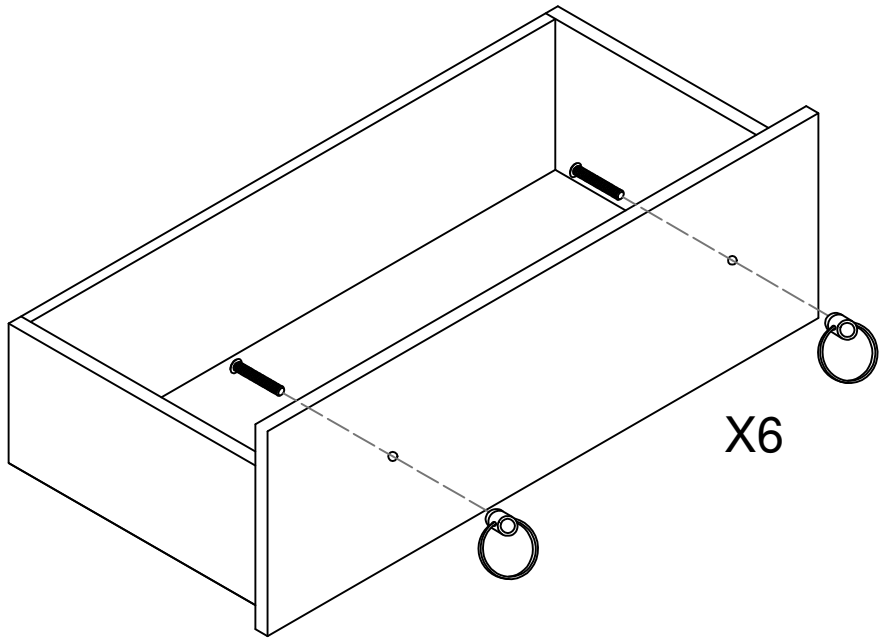
Step 16

(F) x 24pcs


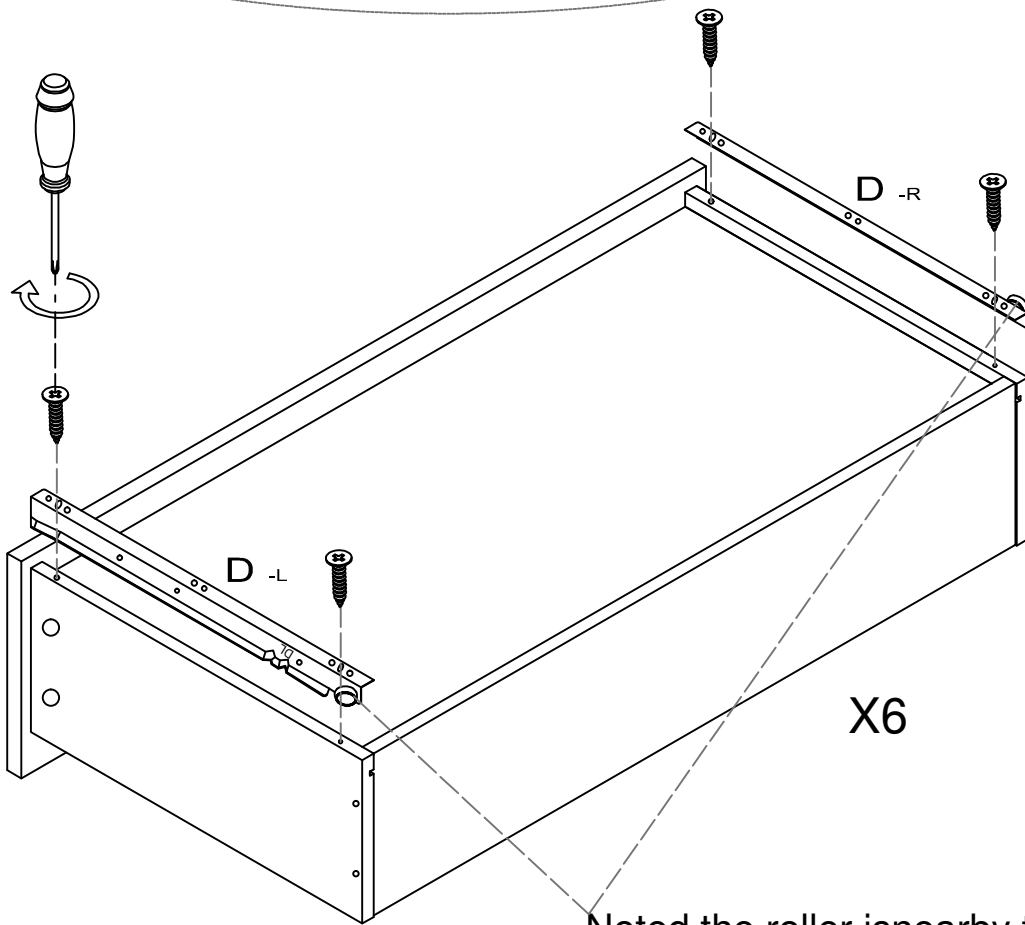
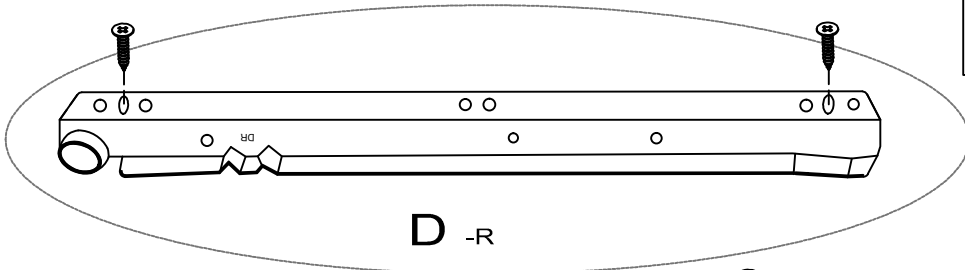
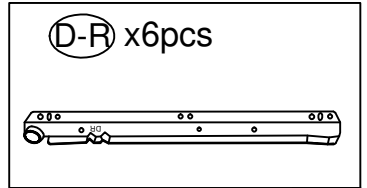
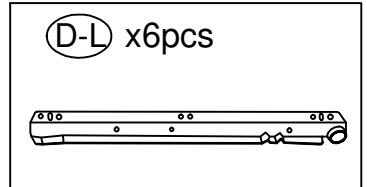
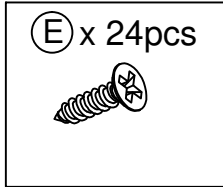


Step 17

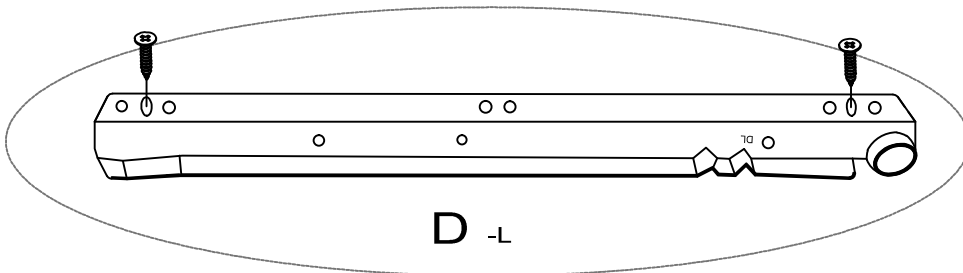
(R) x 12pcs

(S) x 12pcs




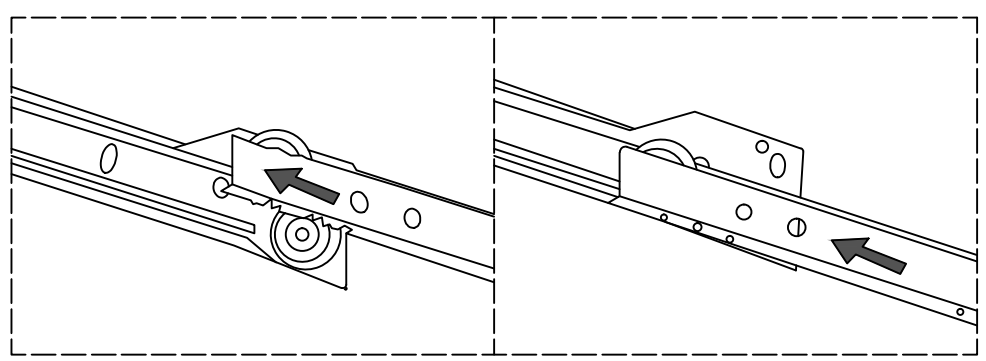
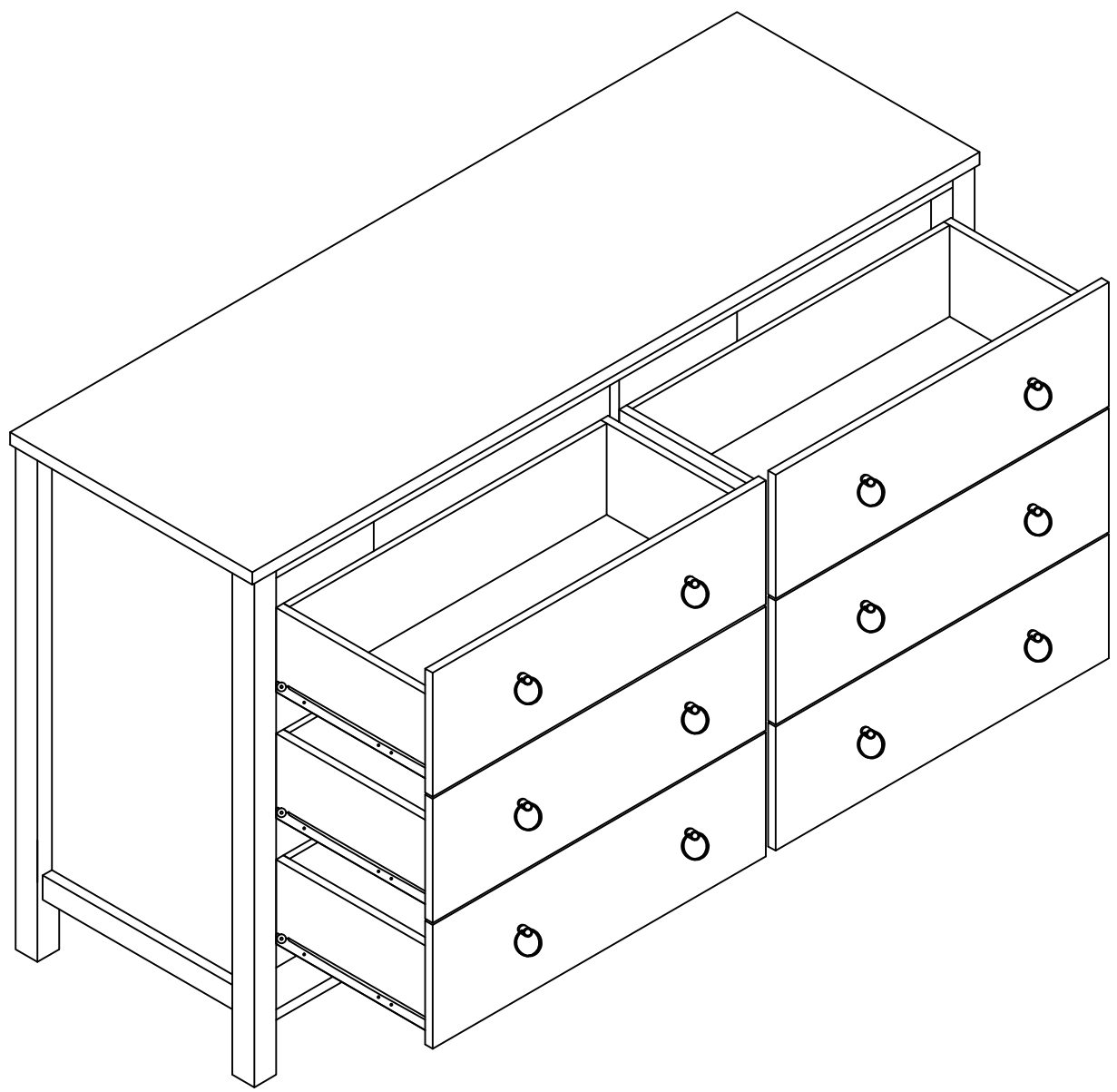
Step 18



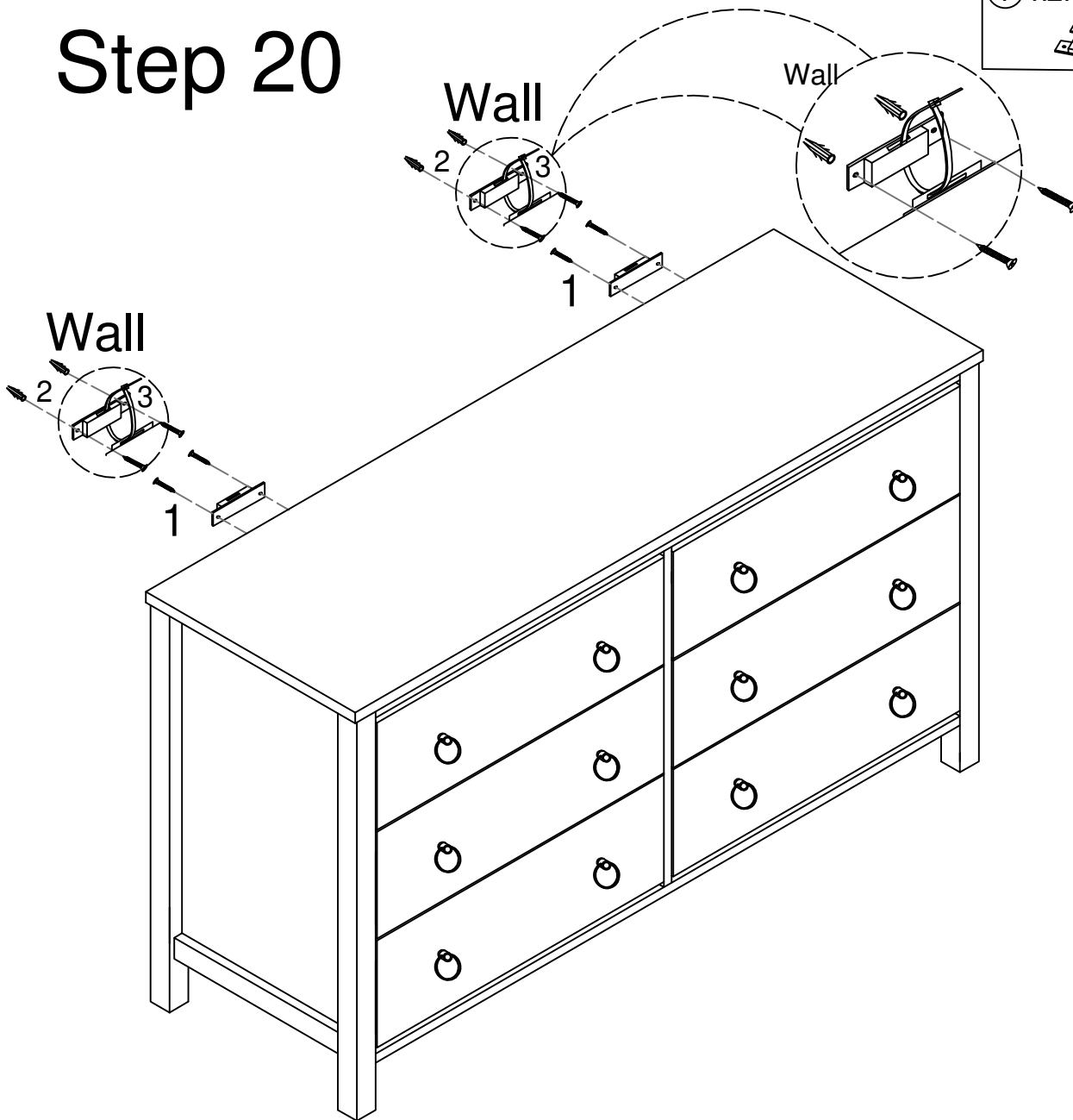
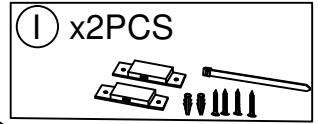
Noted the roller is nearby the drawer end



Step 19



Step 20



CONTACT US

Dear customer, thank you for purchasing Idealhouse products! We are proud to present our customers with high quality products!



If you have any product quality or use problems, please contact our customer service by email, we will ensure your satisfaction.



If you are satisfied with our products, please share your amazing experience with us and other customers! It would be our honor to hear from you!