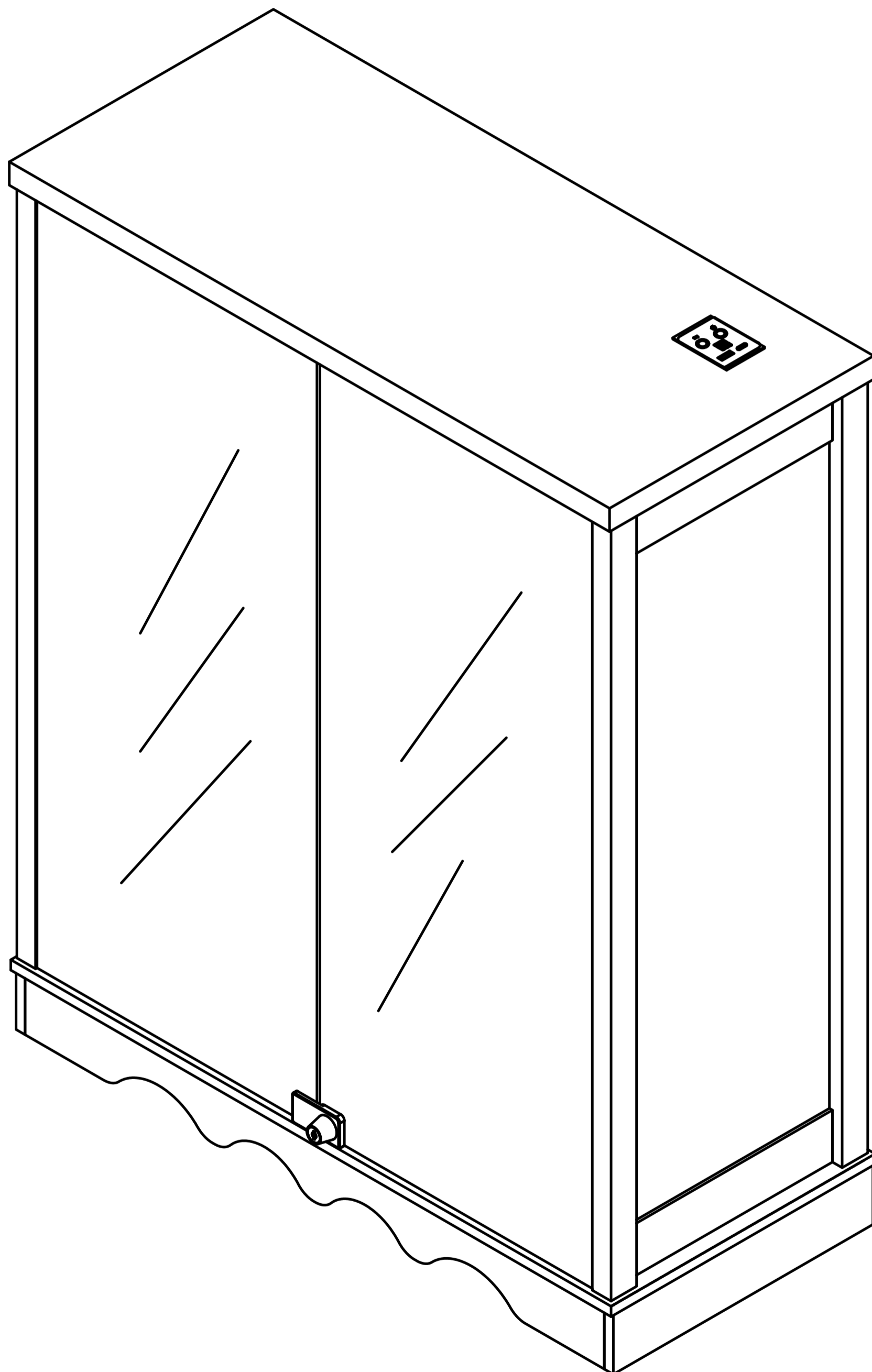
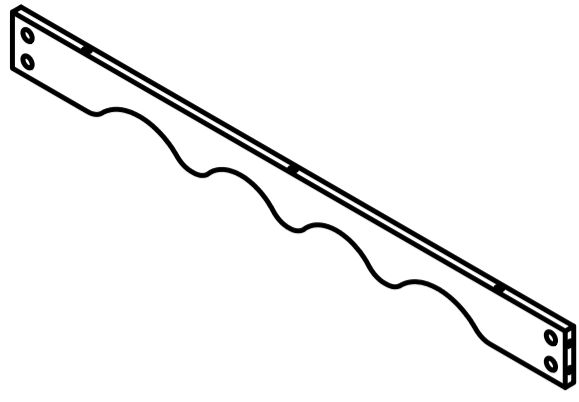
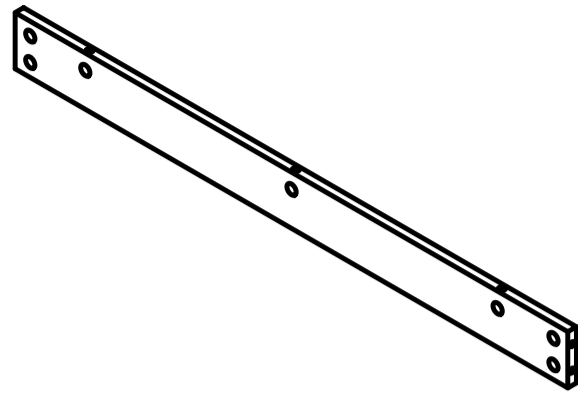


80001 Product Installation Instructions

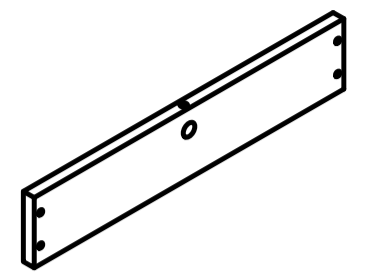




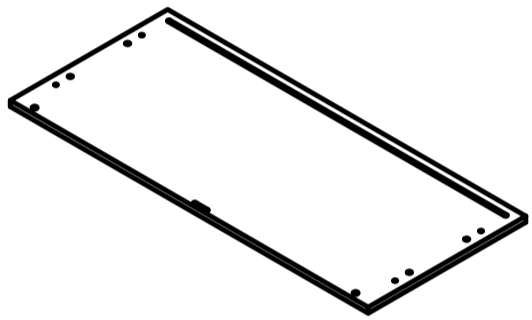
1x1



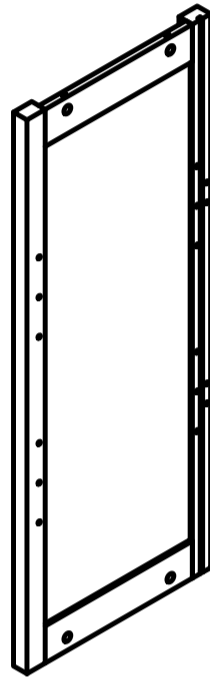
2x1



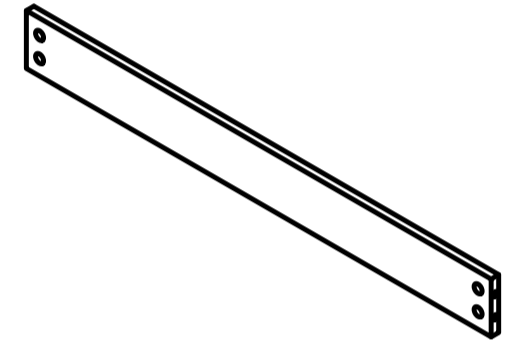
3x2



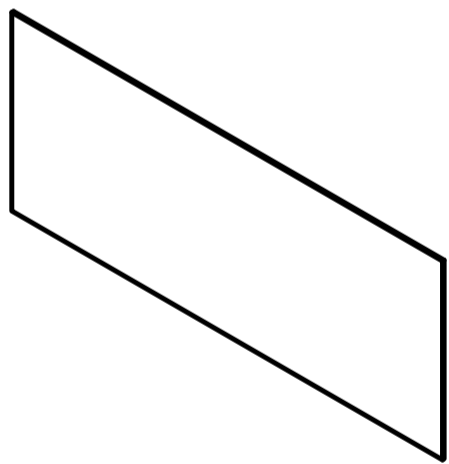
4x1



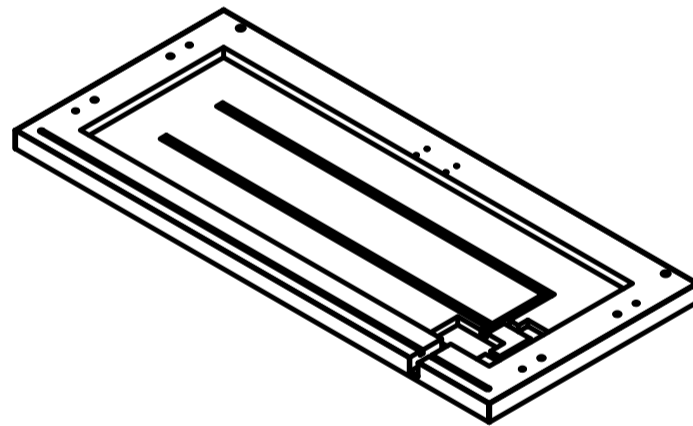
5x2



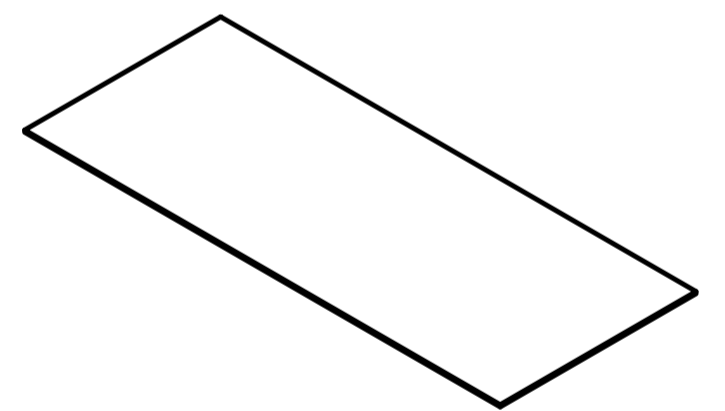
6x2



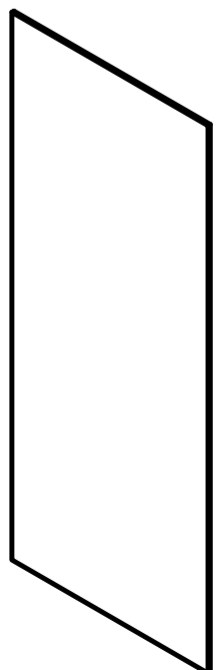
7x3



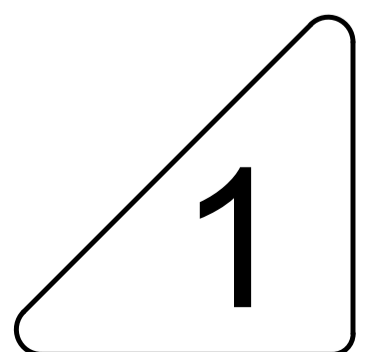
8x1



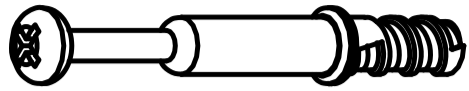


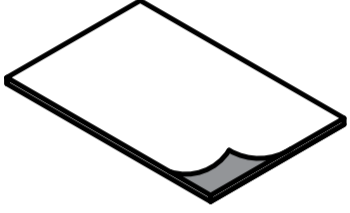
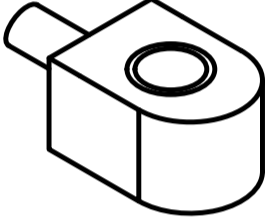
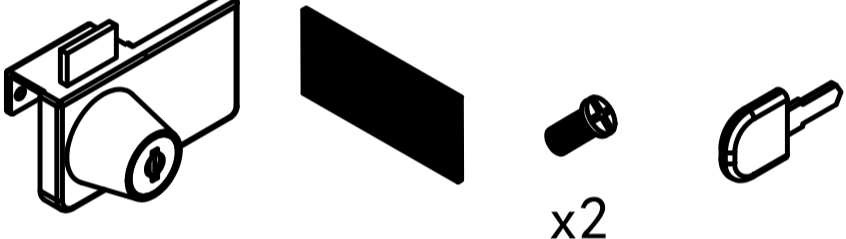
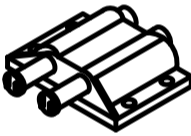


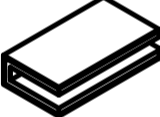
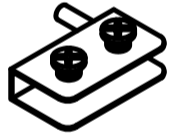
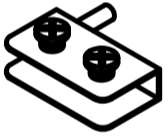
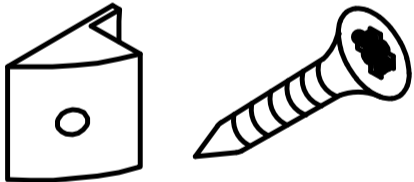

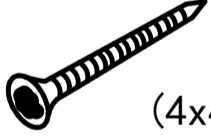
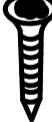
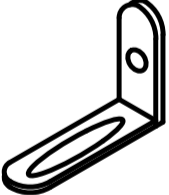

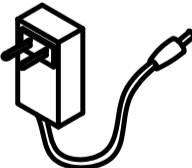
9x2

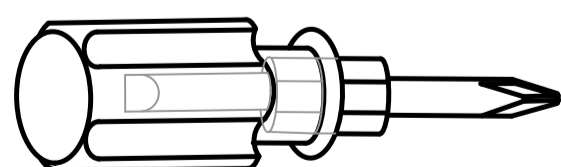


10x2

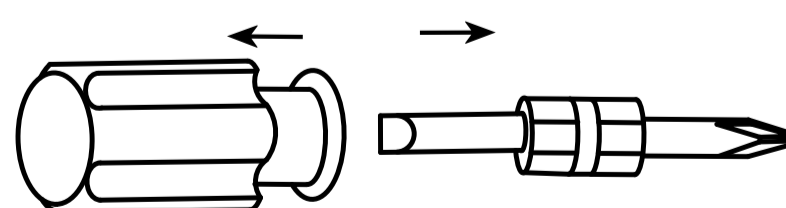


Accessories list

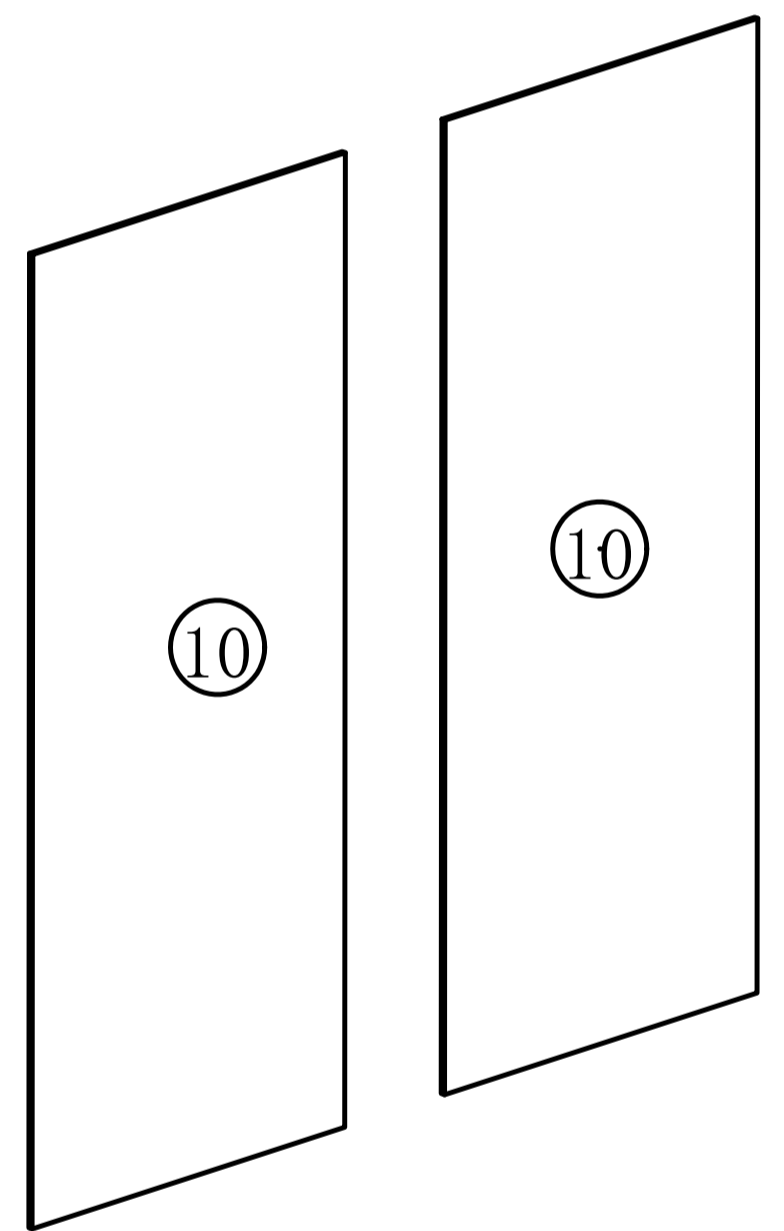
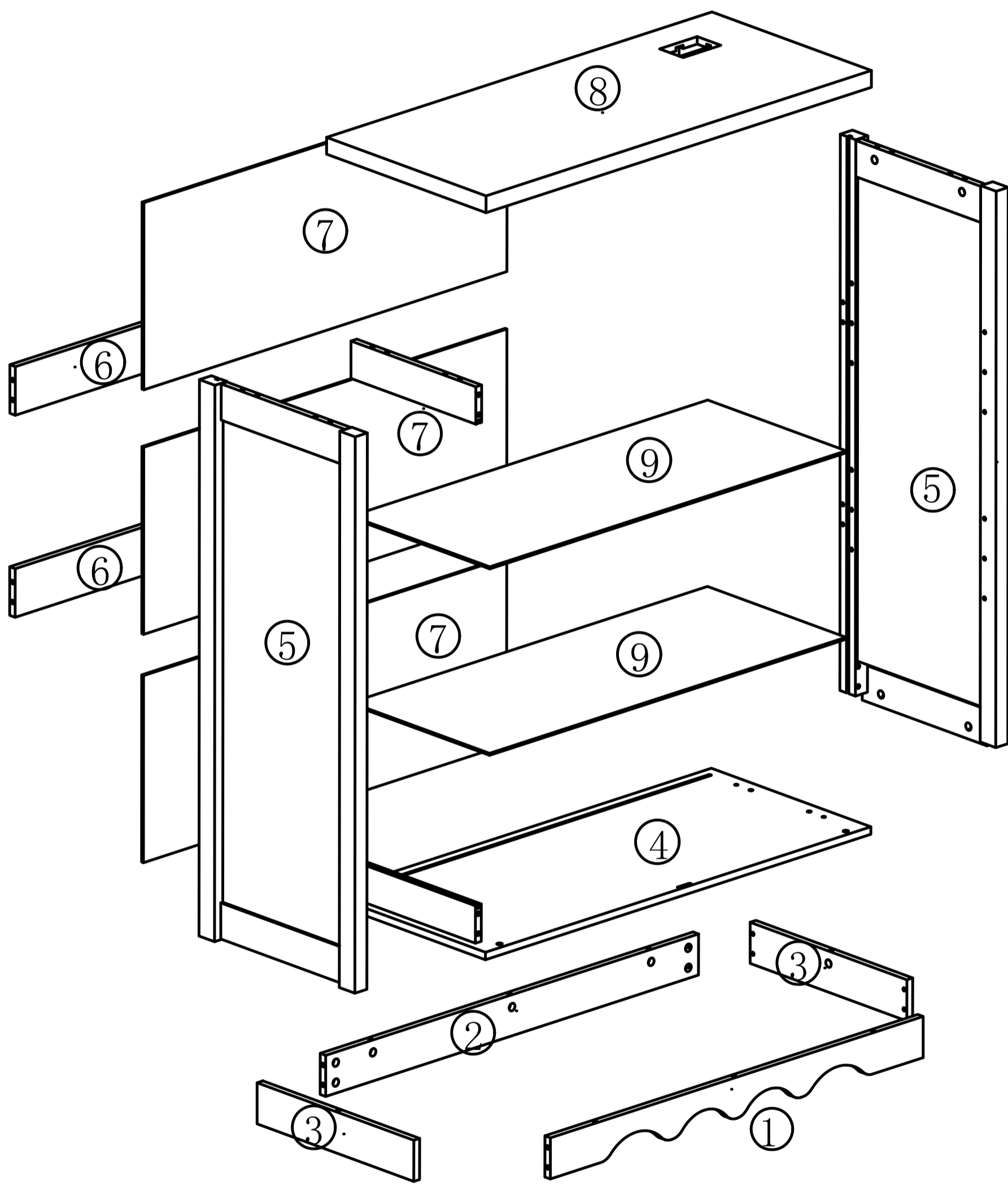
A		Two in one screw (6x28mm)	32pcs +2pcs	
B		Two in one nut (10x12mm)	32pcs +2pcs	
C		Wood Chipping (6x30mm)	8pcs +1pcs	
D		Non-slip pads (50x10mm)	7pcs +1pcs	
E		Shelf support	8pcs +2pcs	
F		Single door glass lock Key	1pcs	
G			1pcs	4pcs +1pcs
			4pcs	2pcs
			2pcs	2pcs
H		Back plate buckle & Screw (3.5x16mm)	10pcs	
I		 (4x45mm)	2pcs	2pcs
	 (3.5x14mm)		4pcs	2pcs
			4pcs	
/		AC/DC Adapter (12V=2.0A)	1pcs	



1pcs

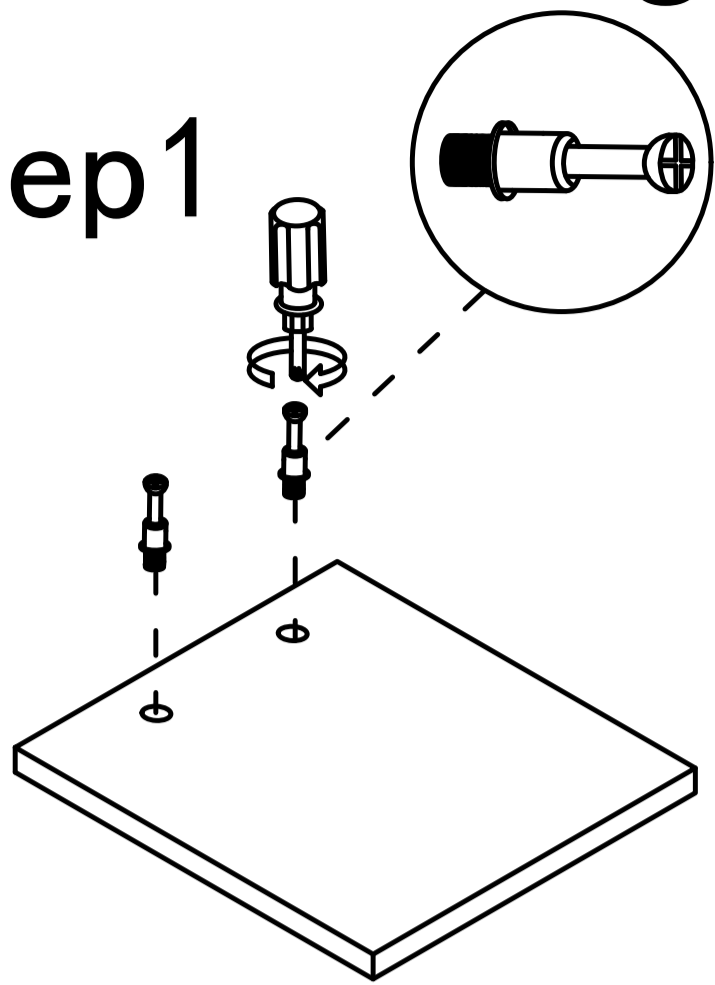


Double-head screwdriver, use as required

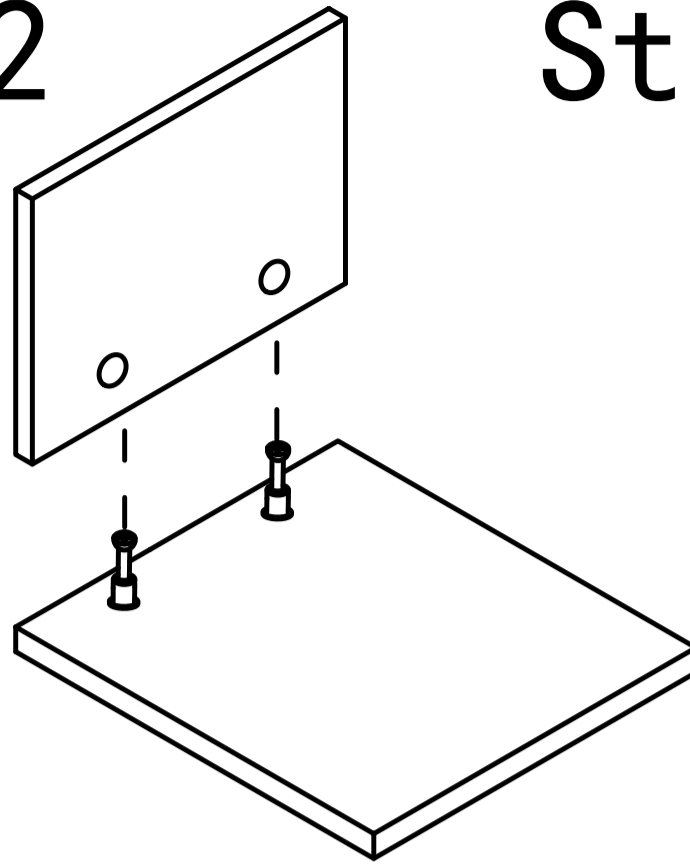


Use parts A and B

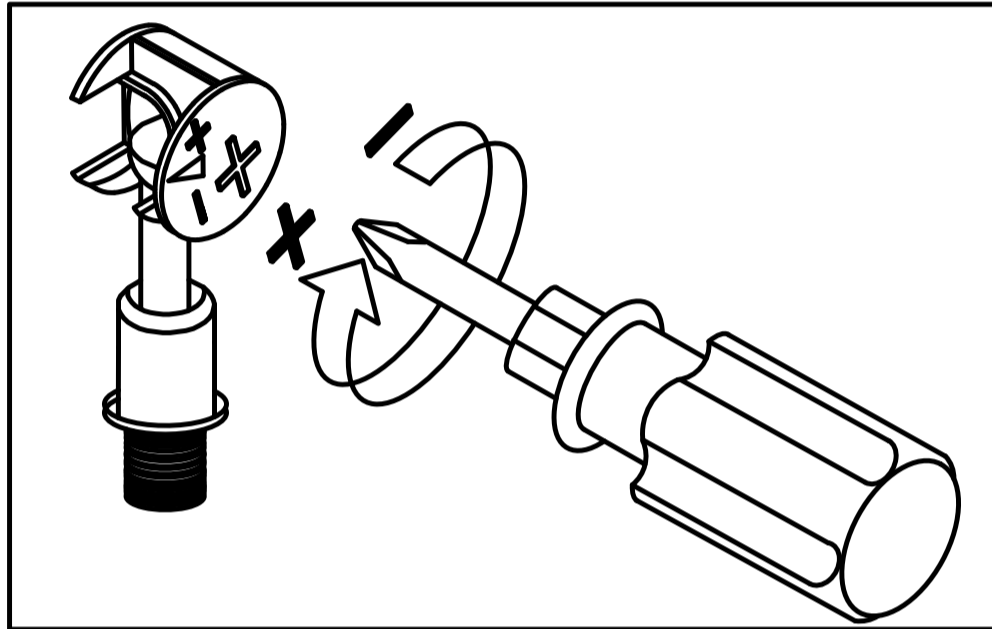
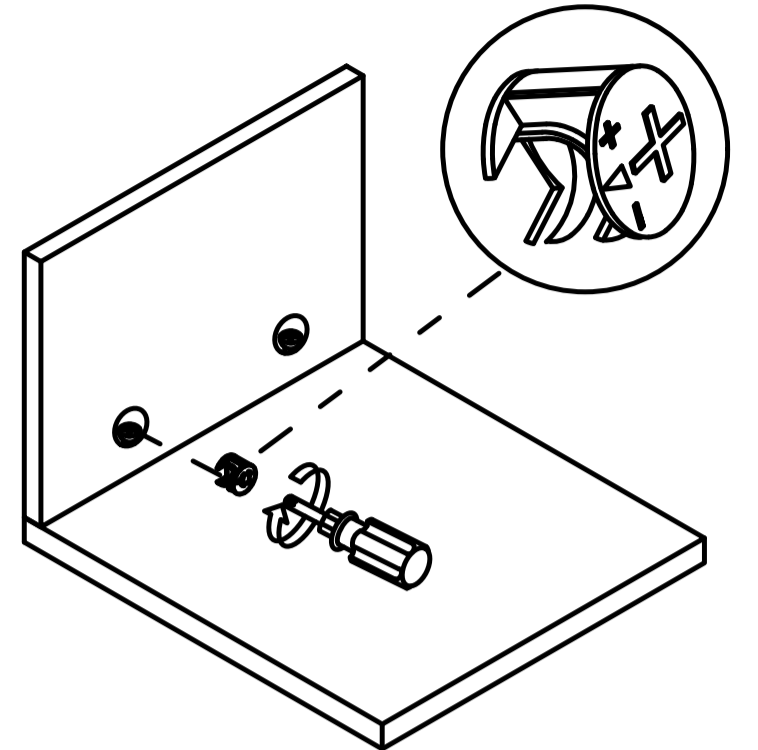
Step 1



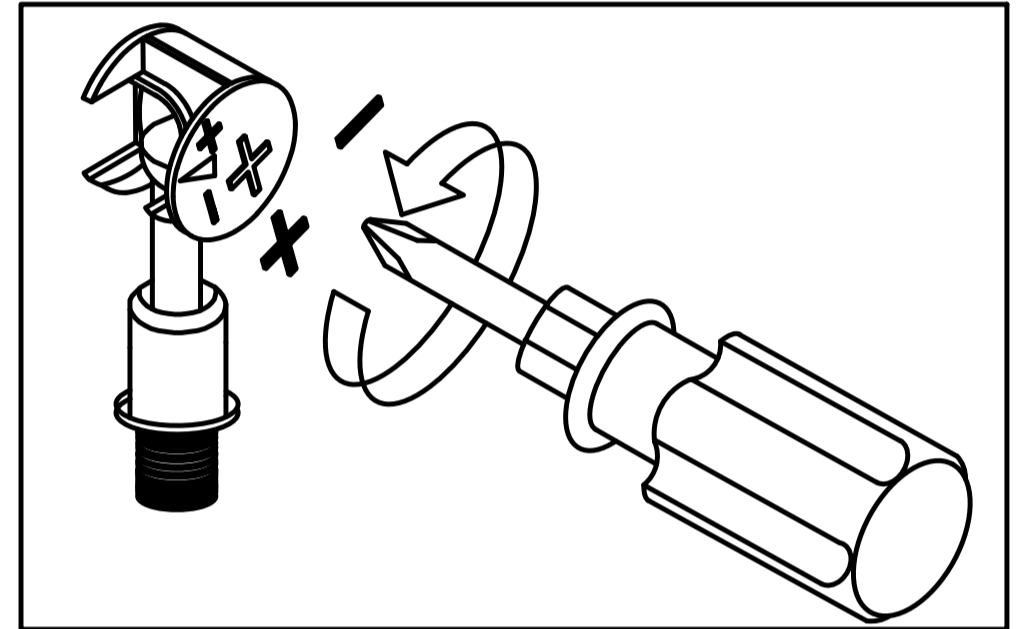
Step 2



Step 3

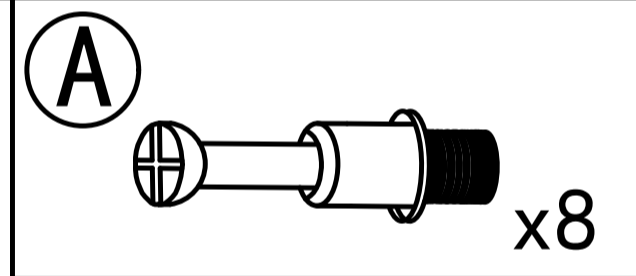
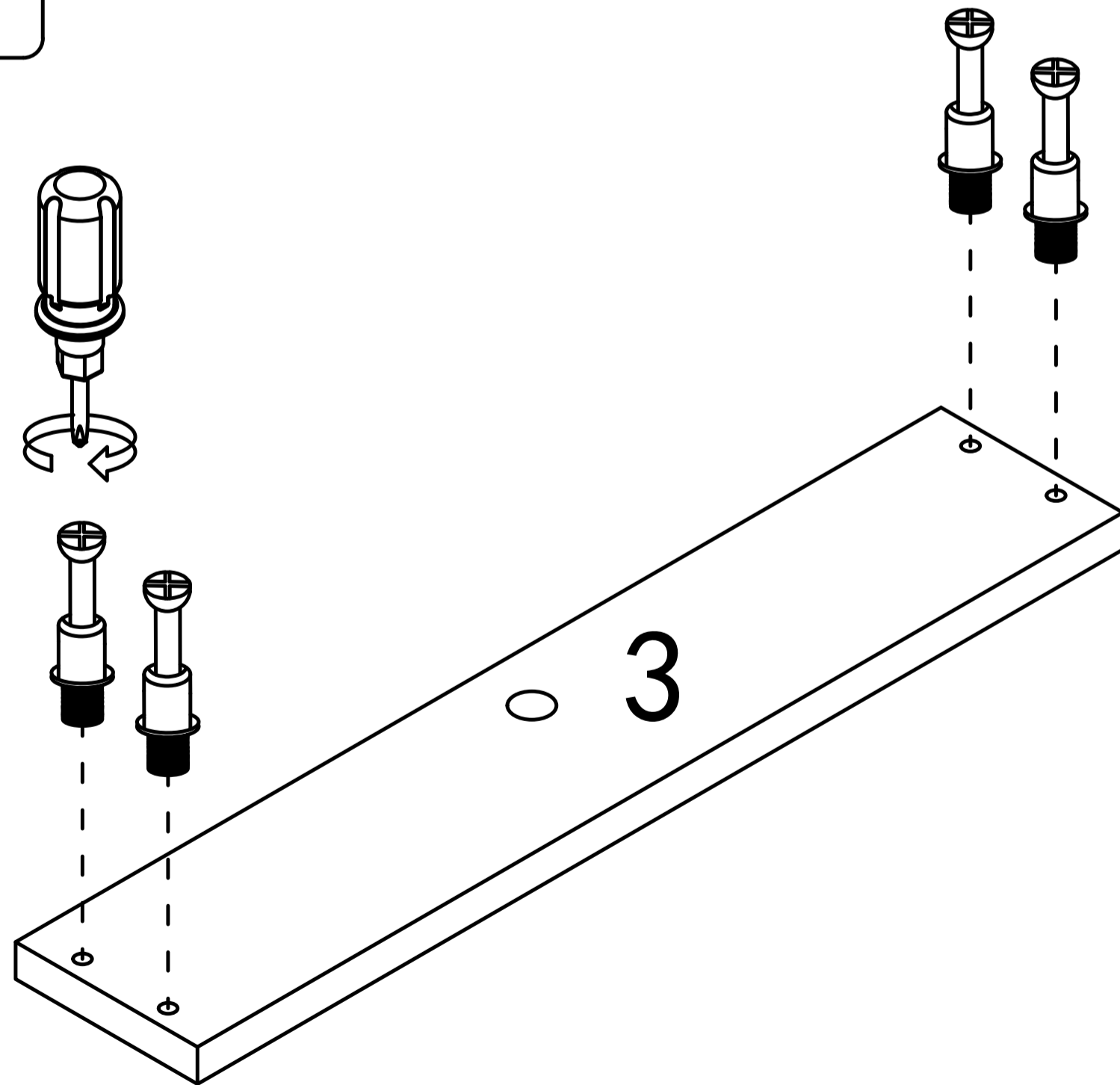


Use a screwdriver to lock in the direction of the "+" sign



Disassemble along the direction of "-" sign

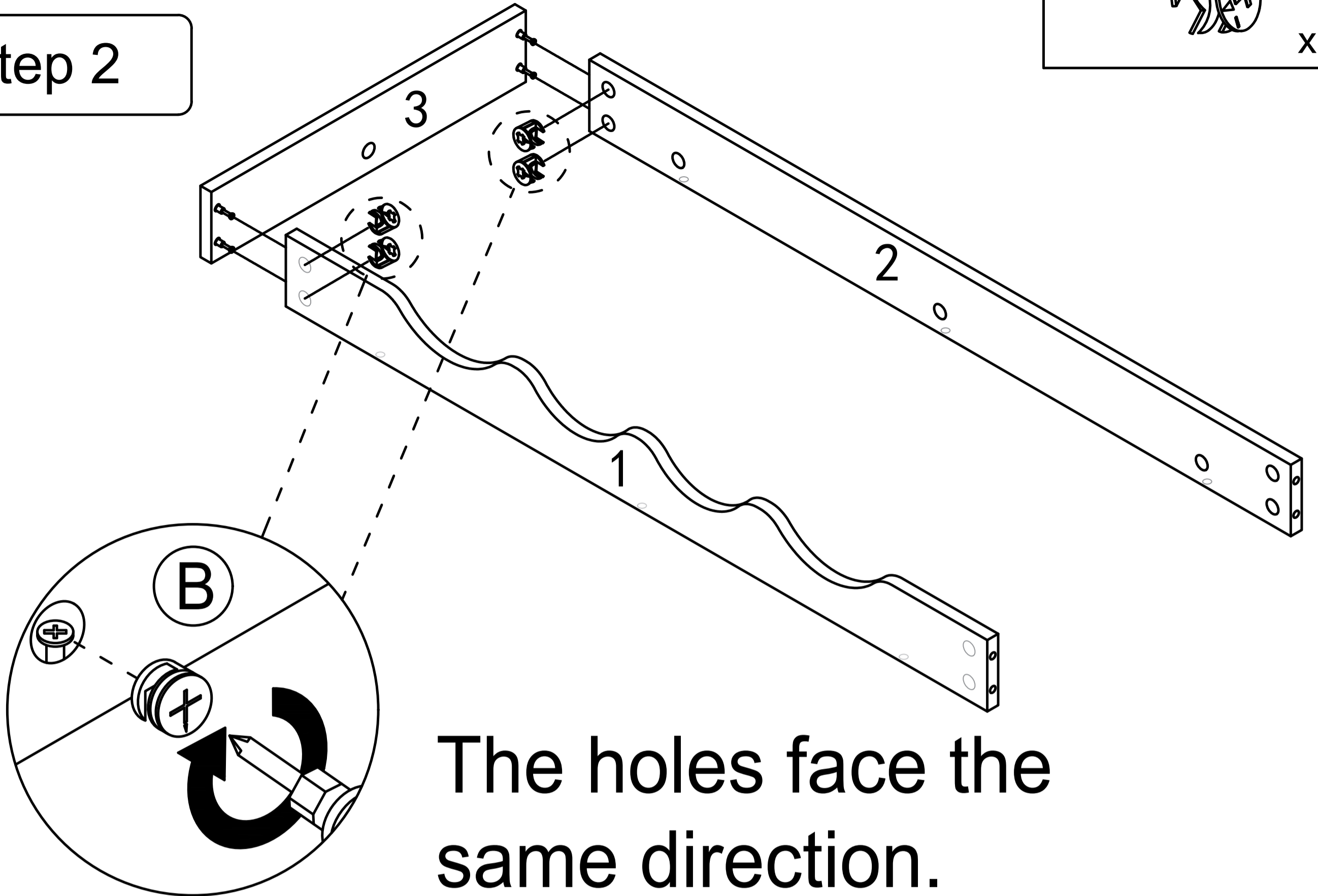
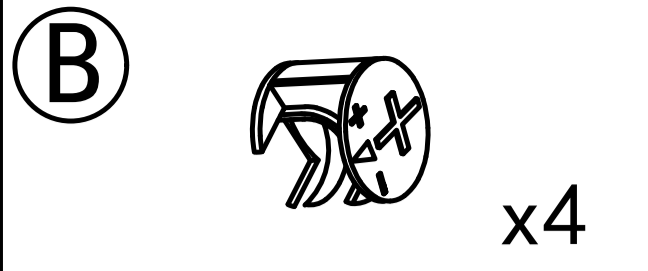
Step 1



3X2

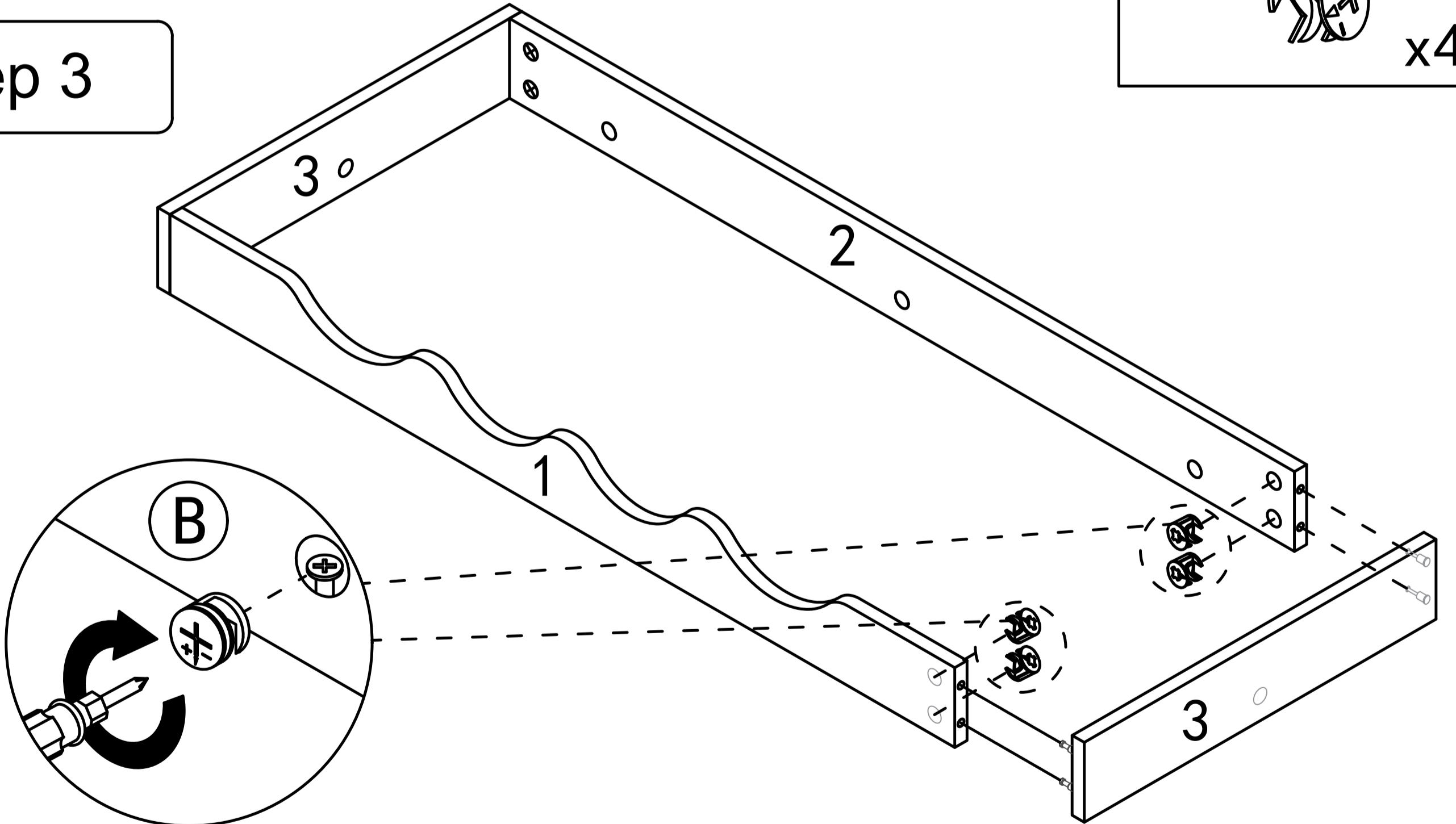
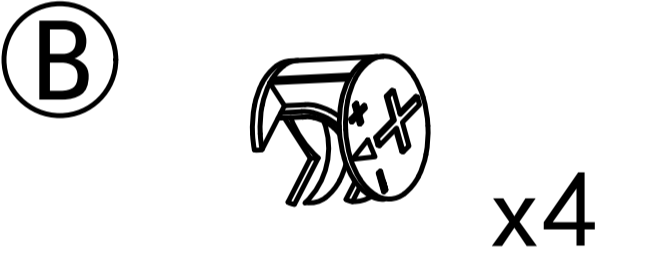


Step 2



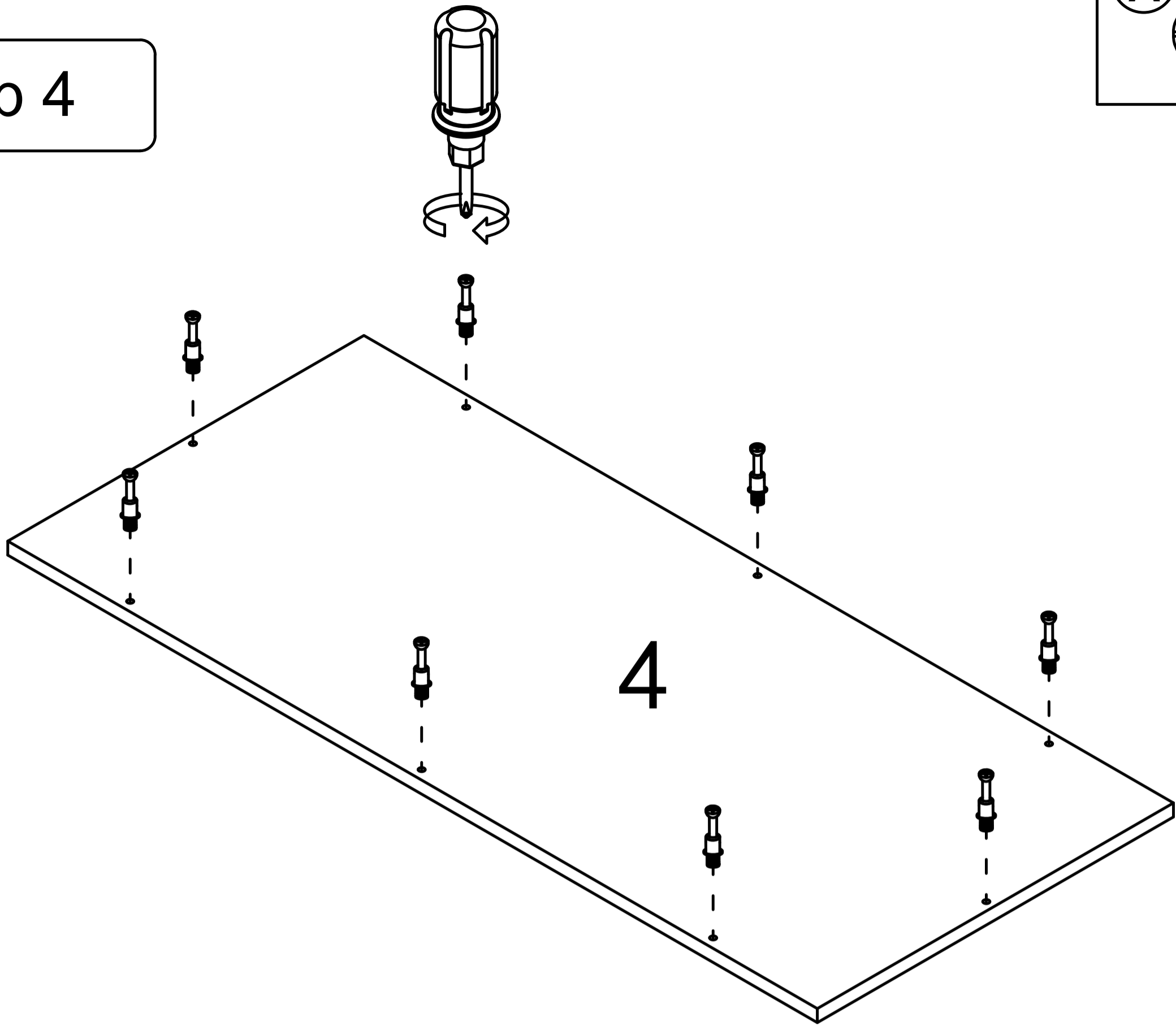
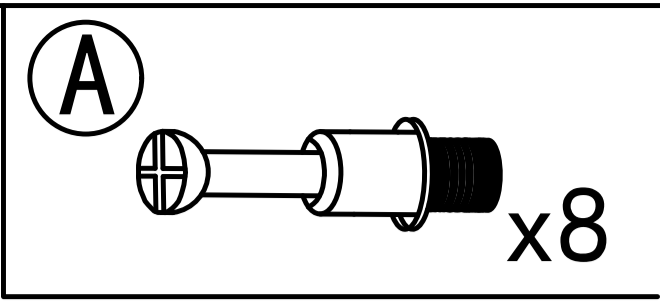
The holes face the same direction.

Step 3

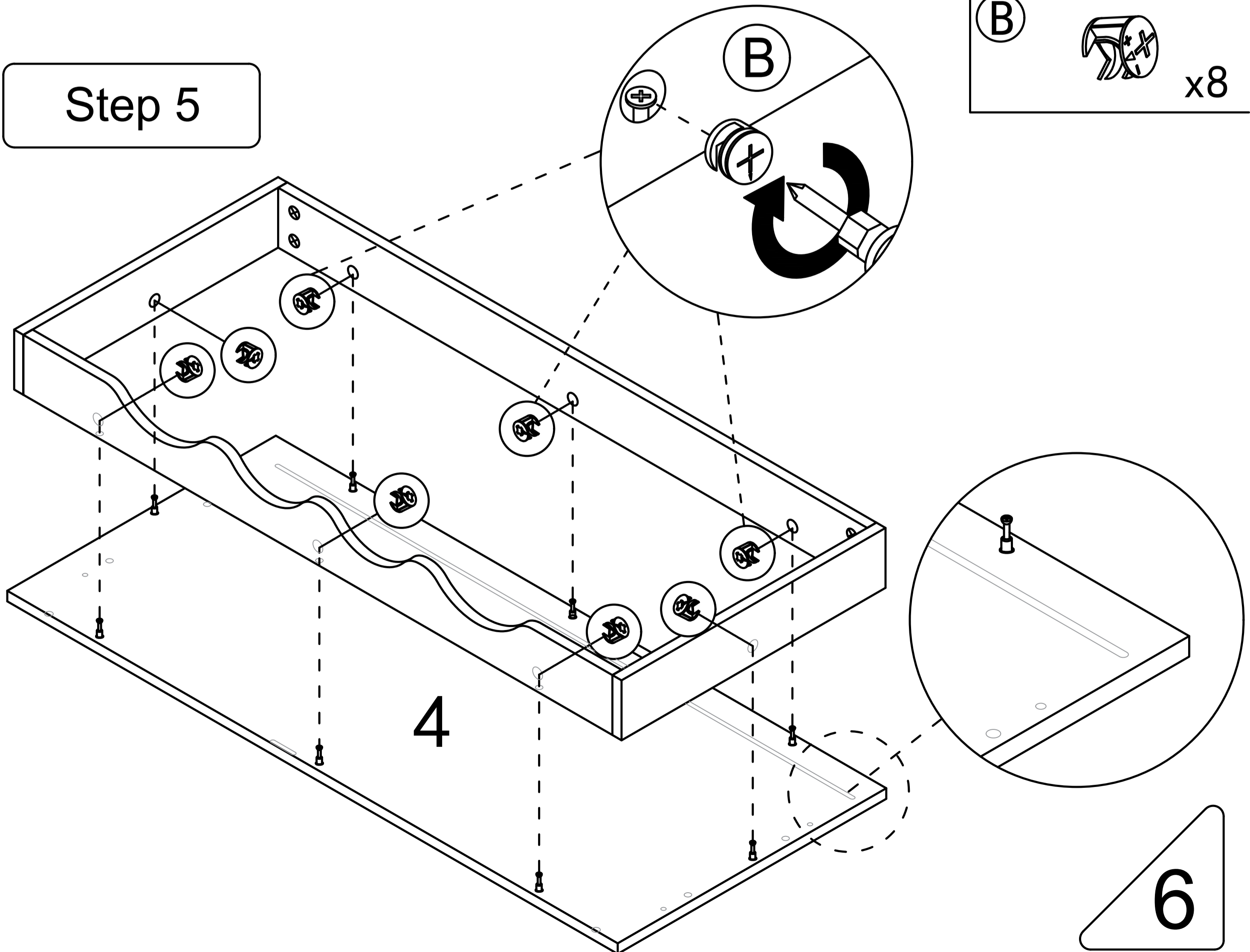
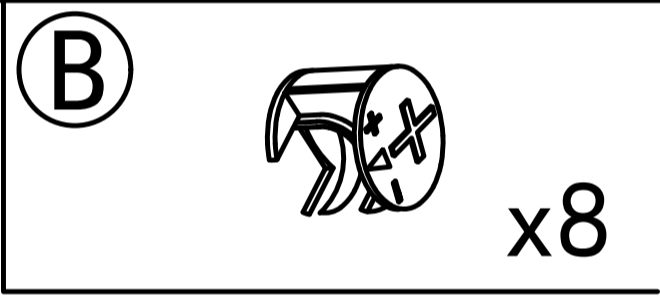


The holes face the same direction.

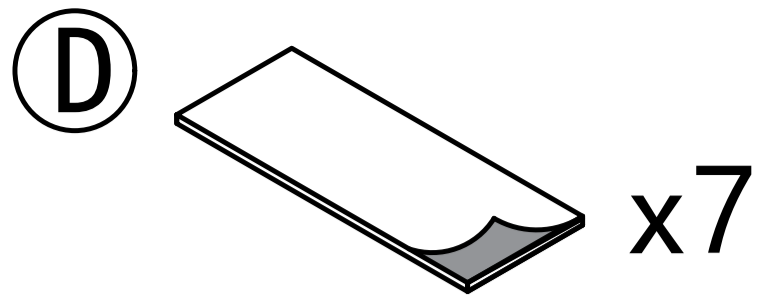
Step 4



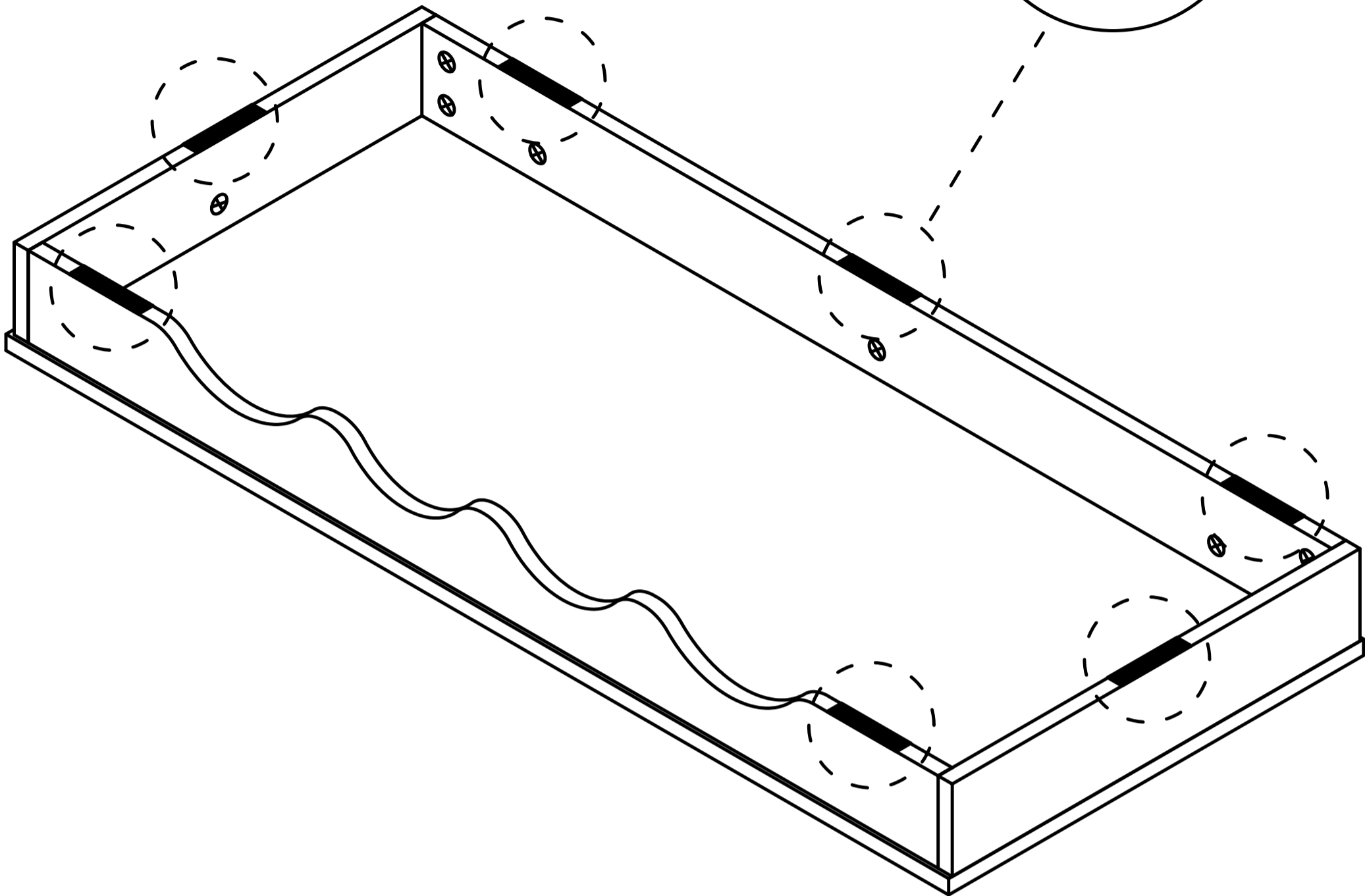
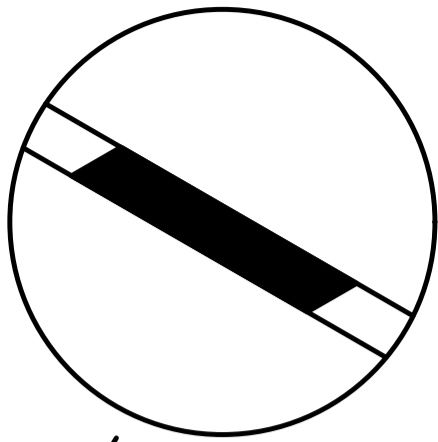
Step 5



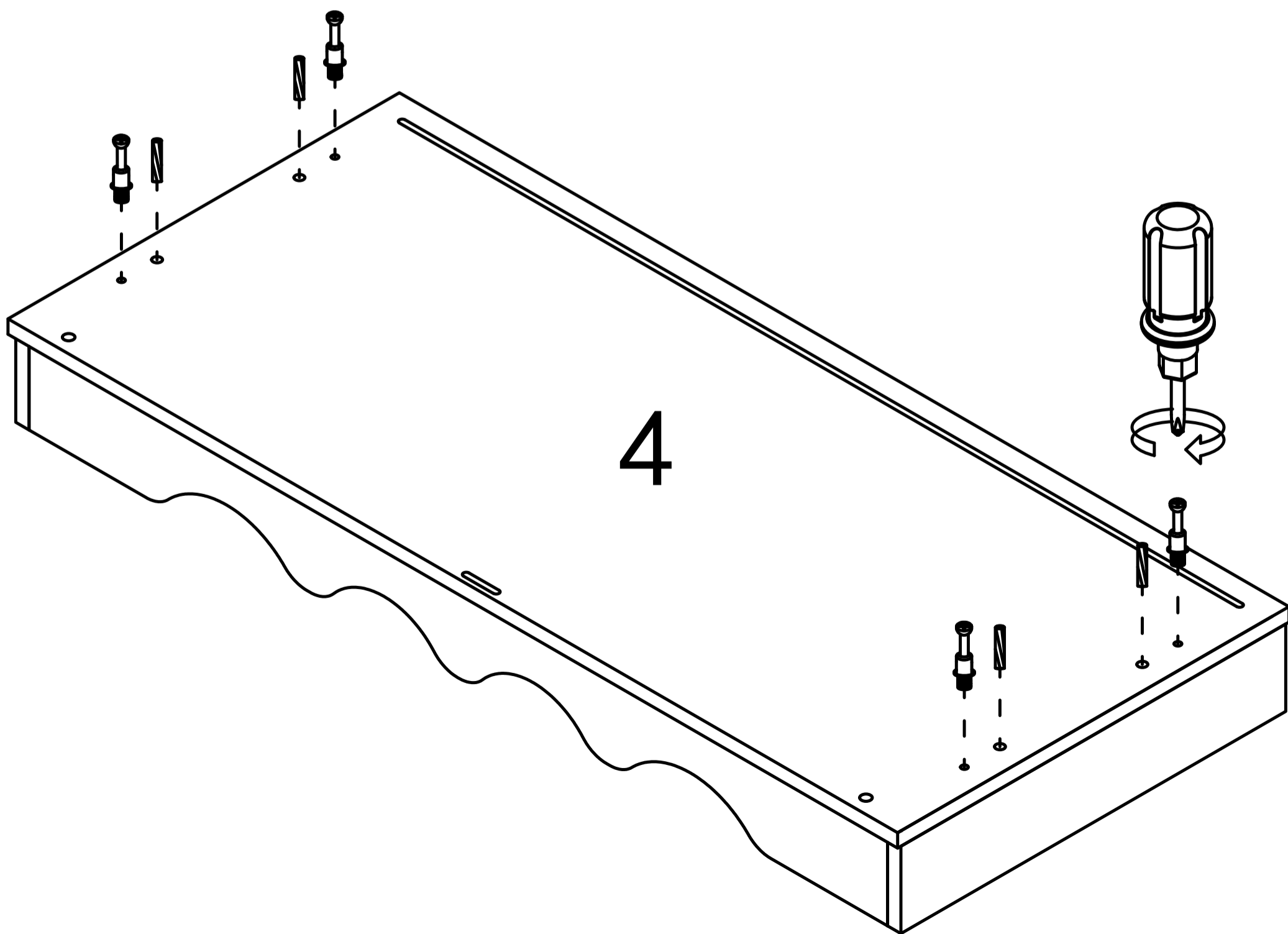
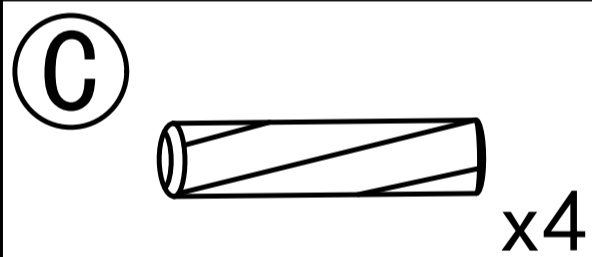
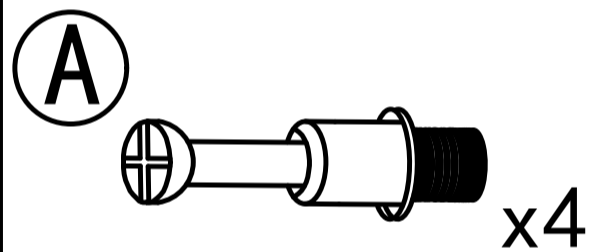
Step 6



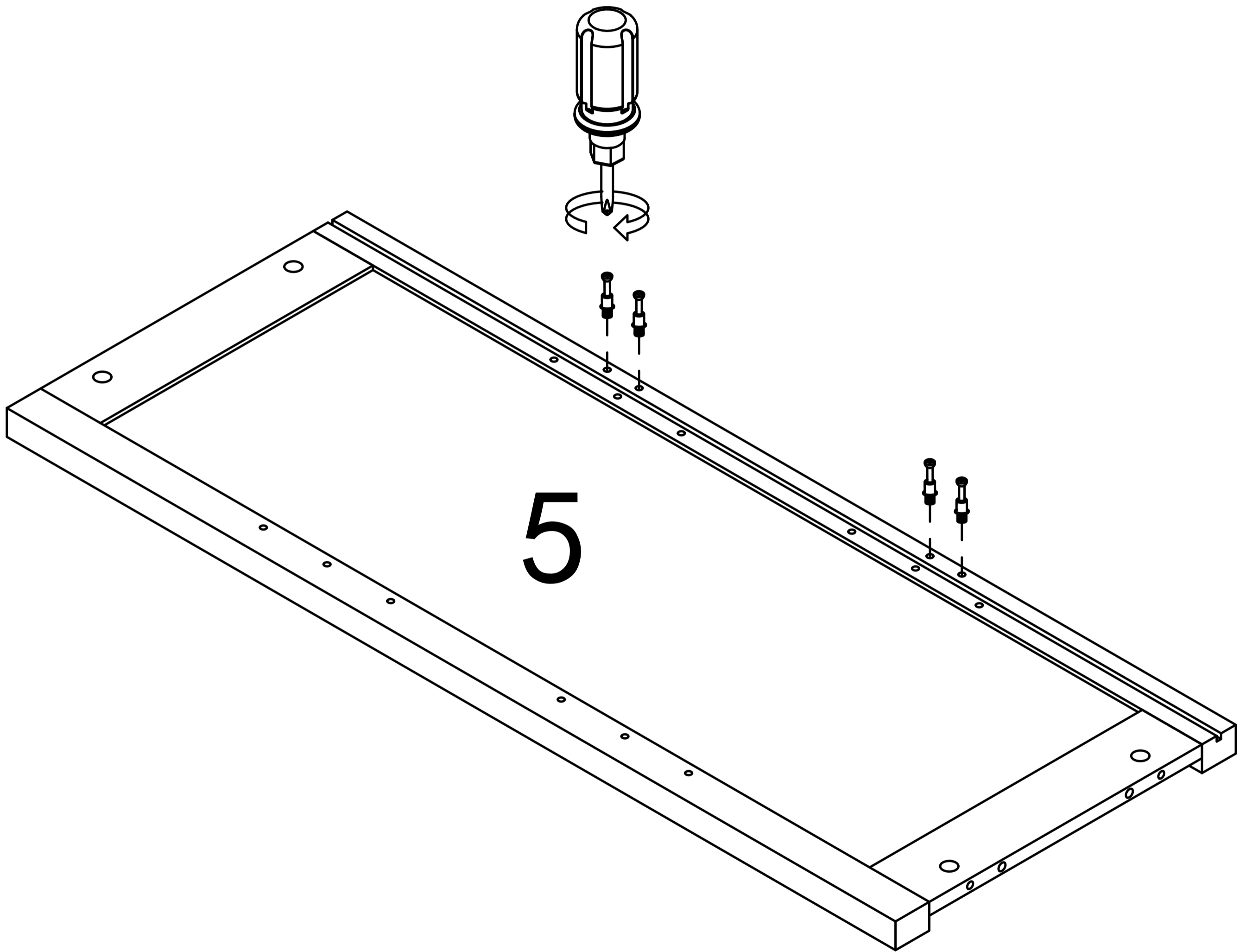
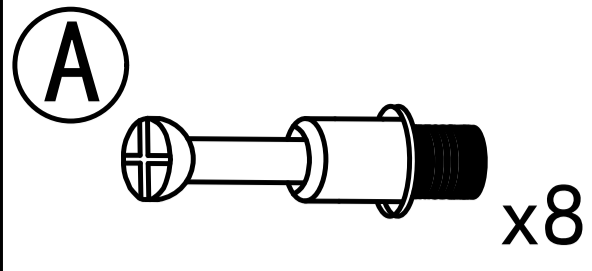
Tear off release paper and stick the black foot pad on the board



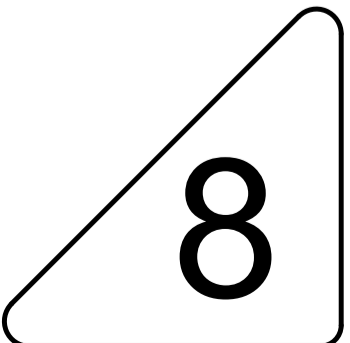
Step 7




Step 8

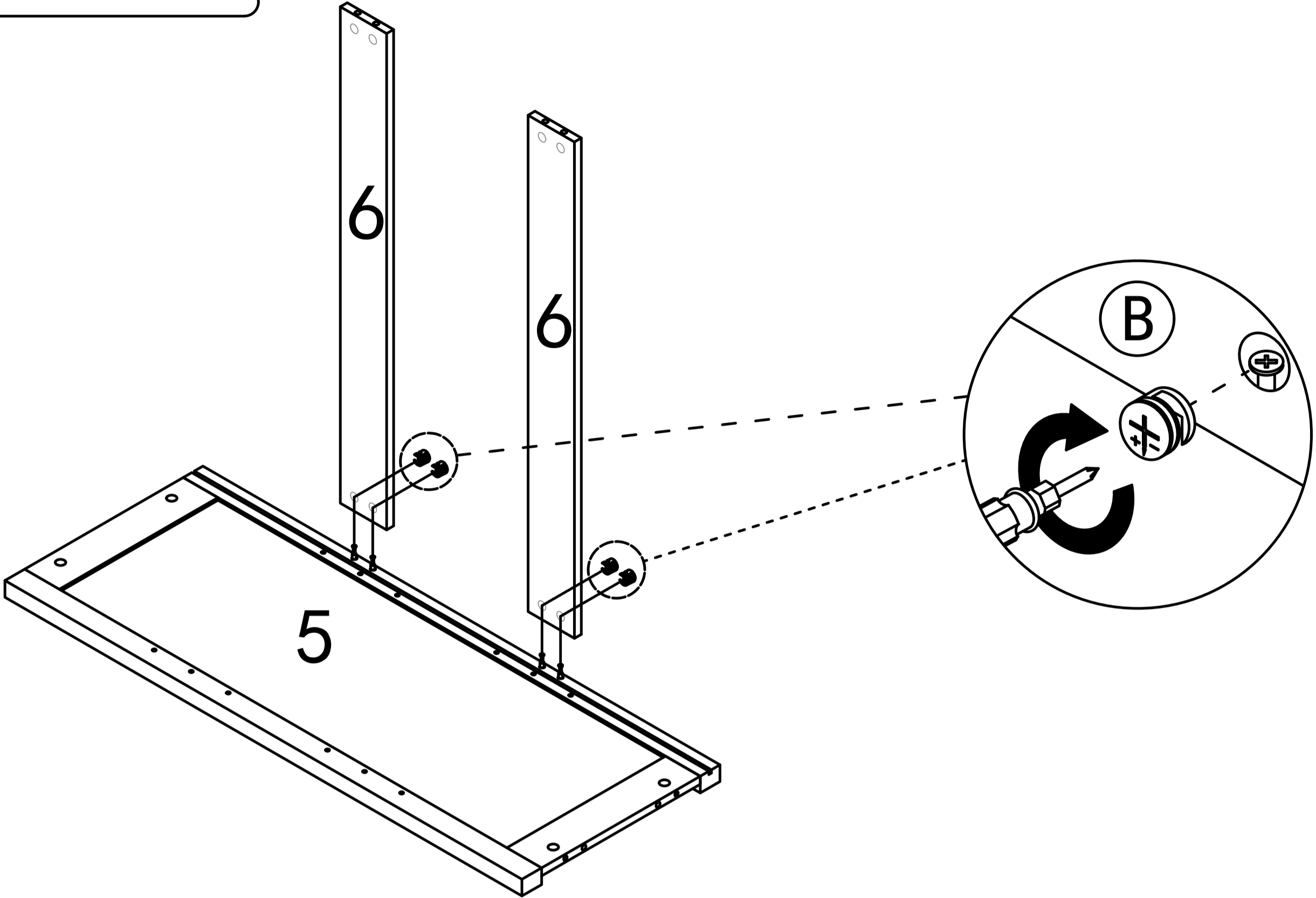


5X2




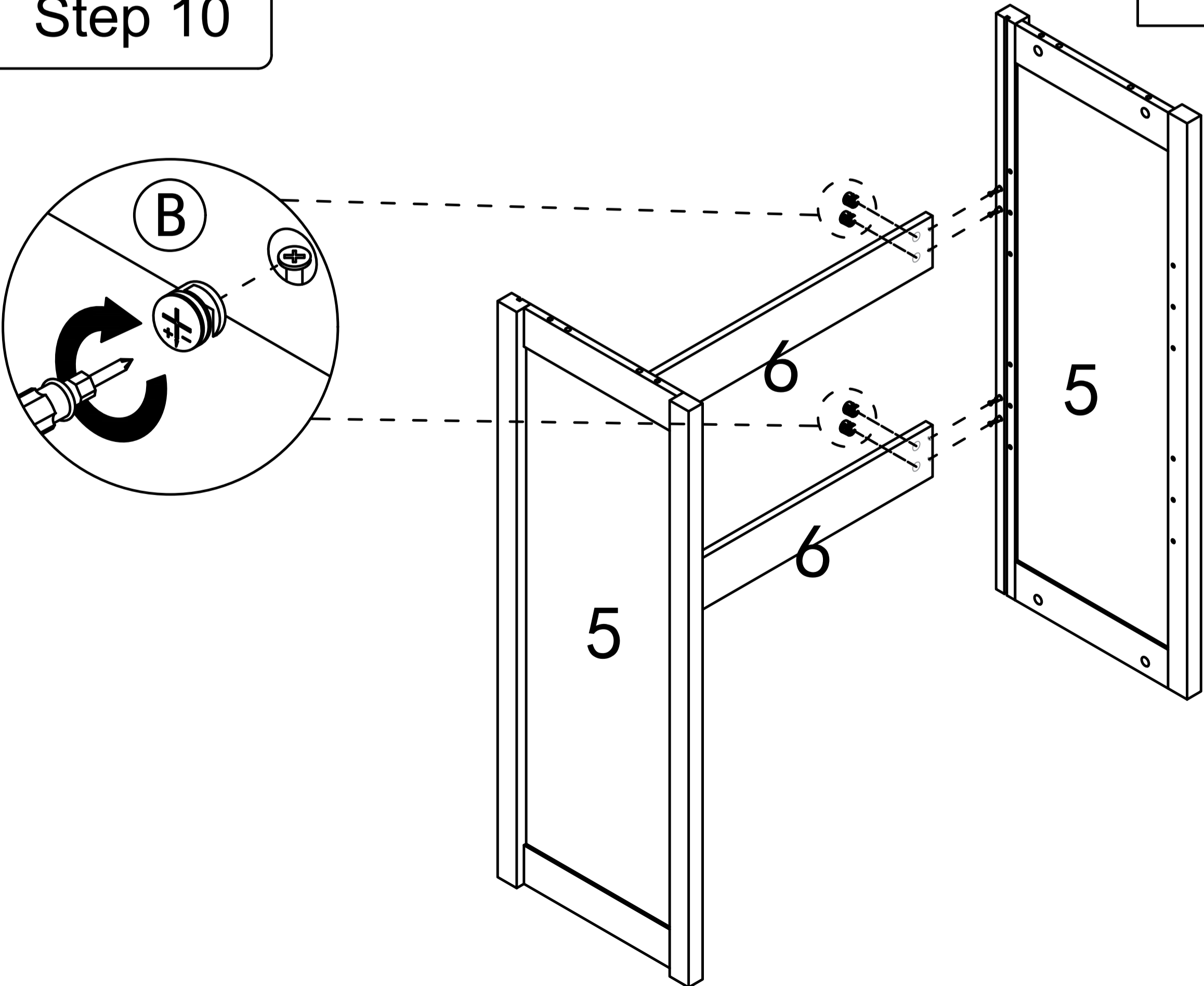
Step 9

B  x4



Step 10

B  x4

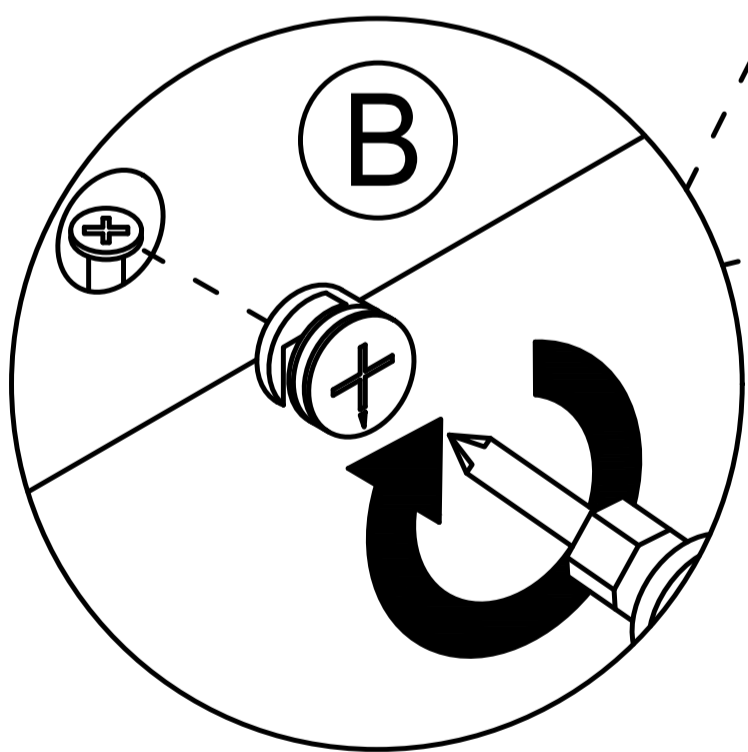
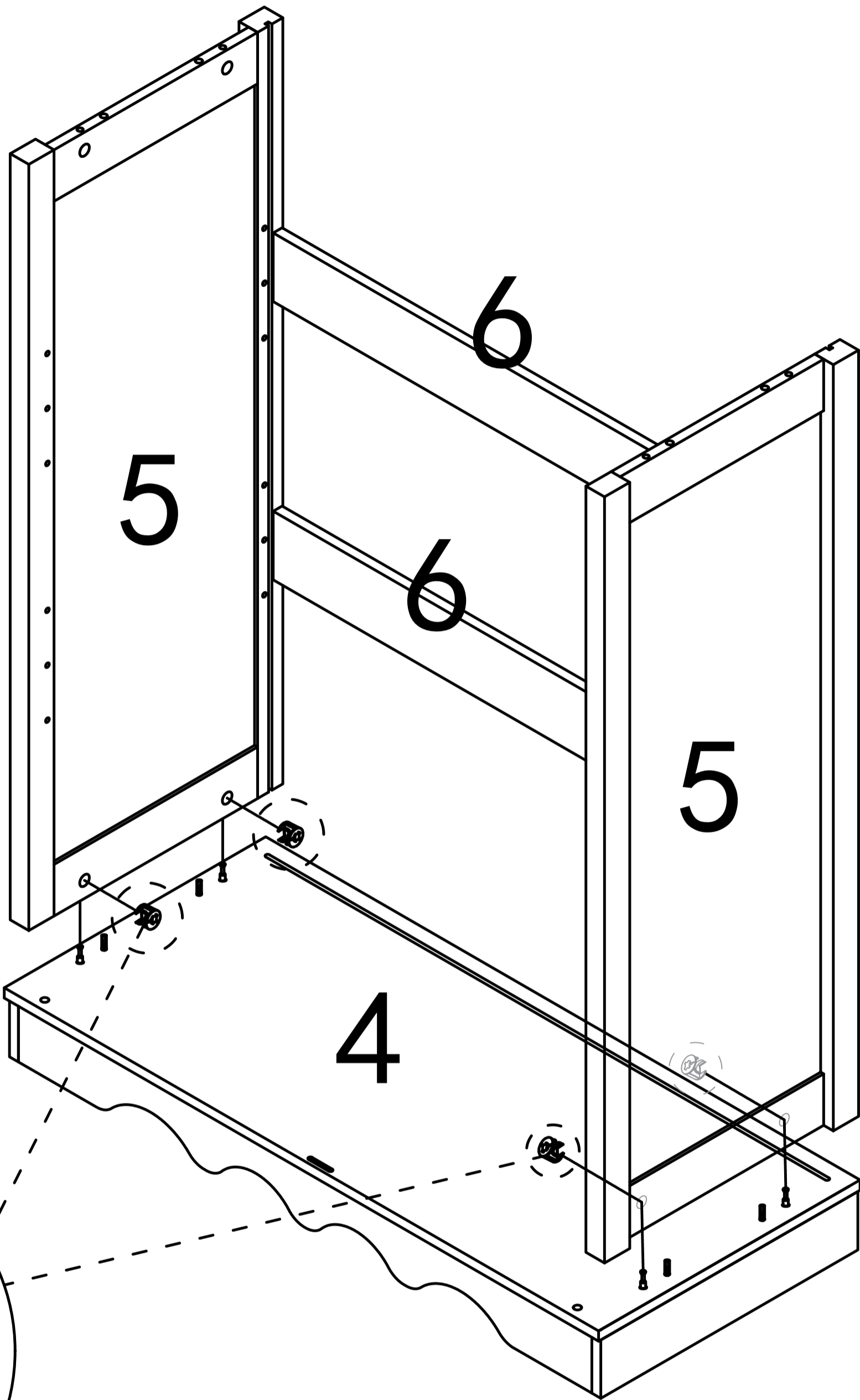


Step 11

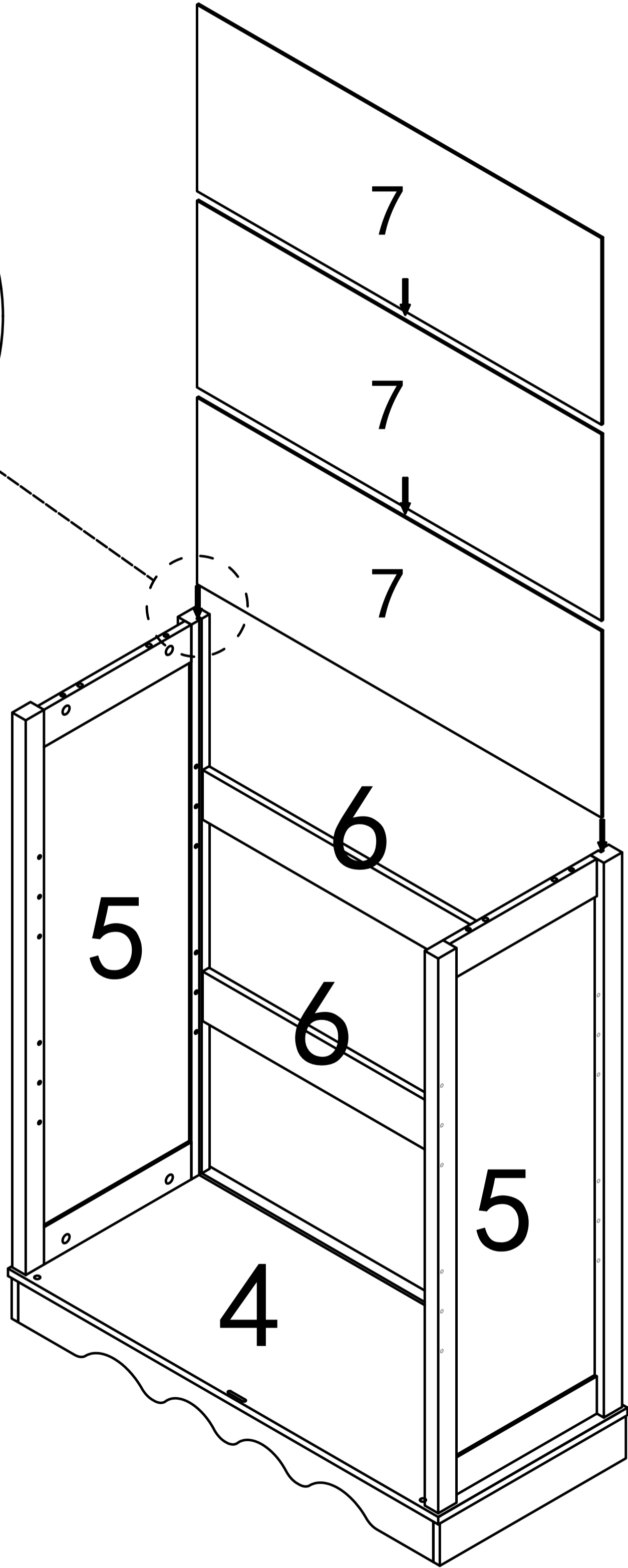
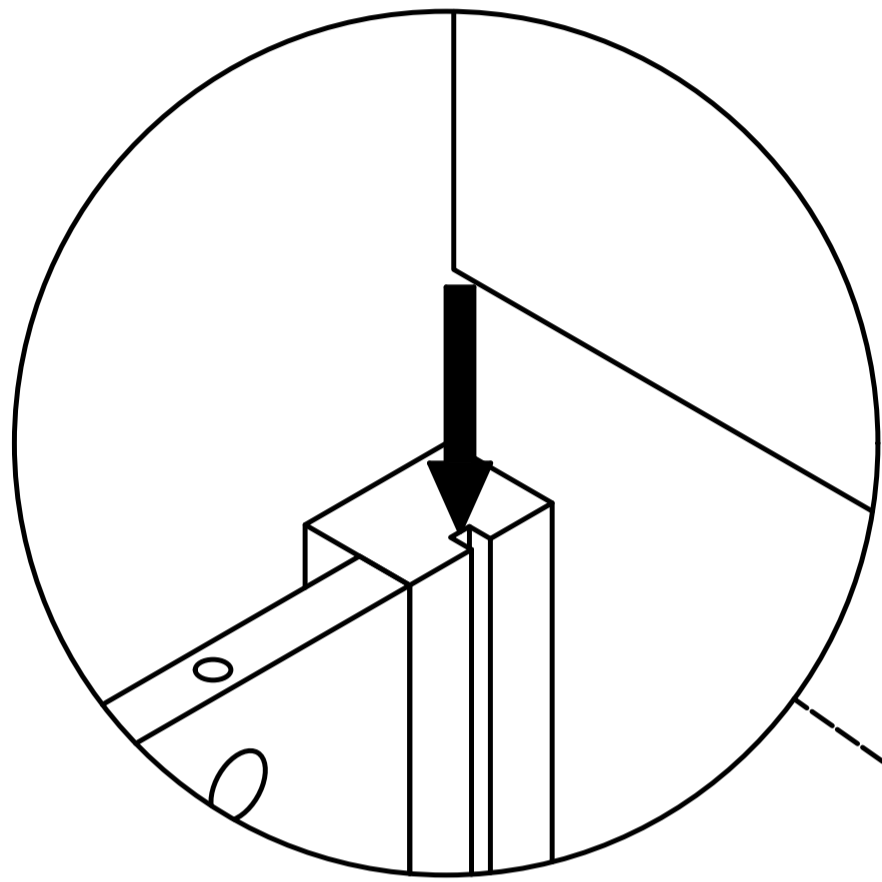
B



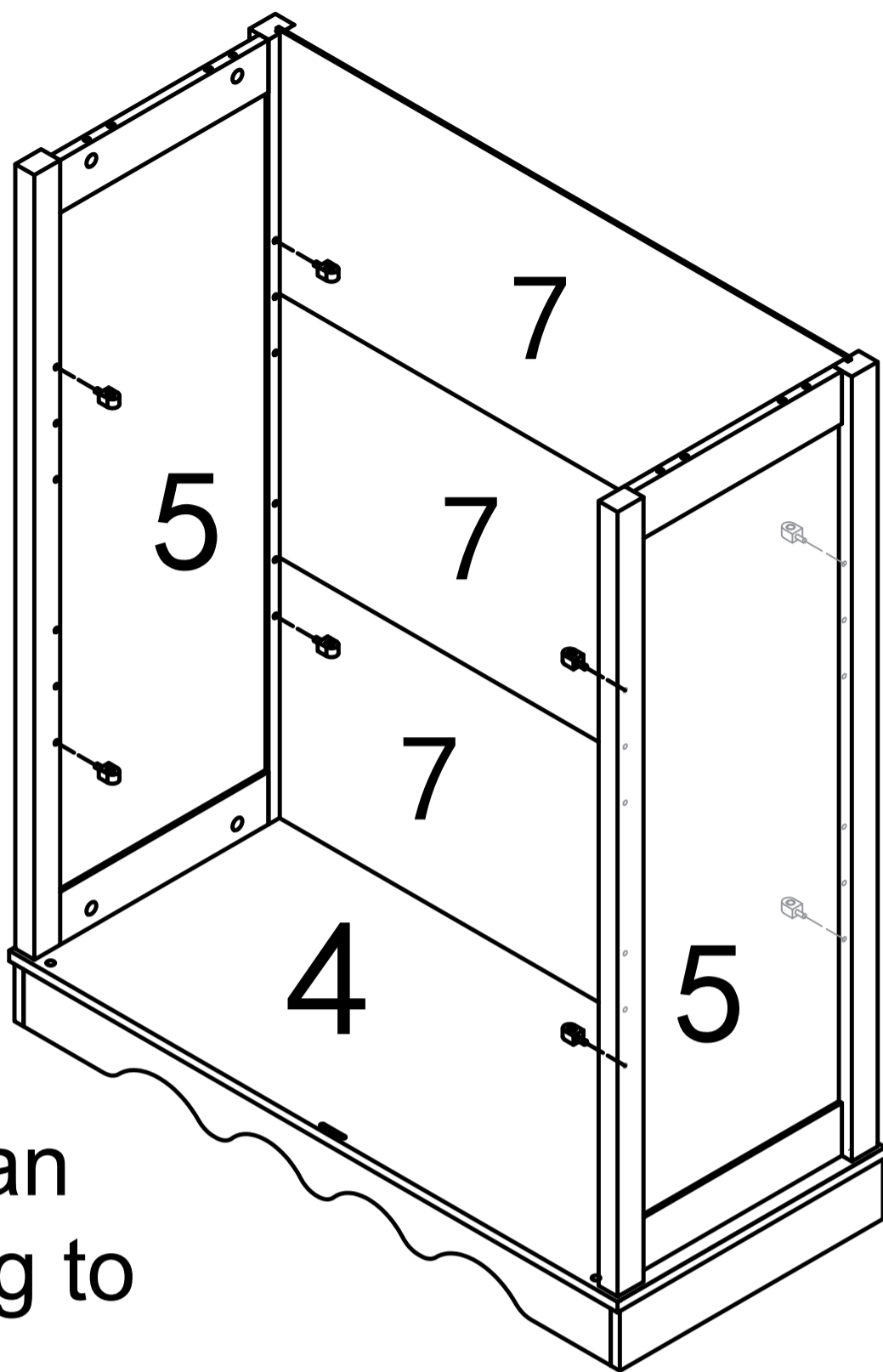
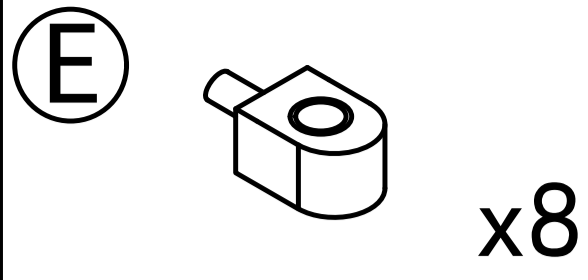
x4



Step 12

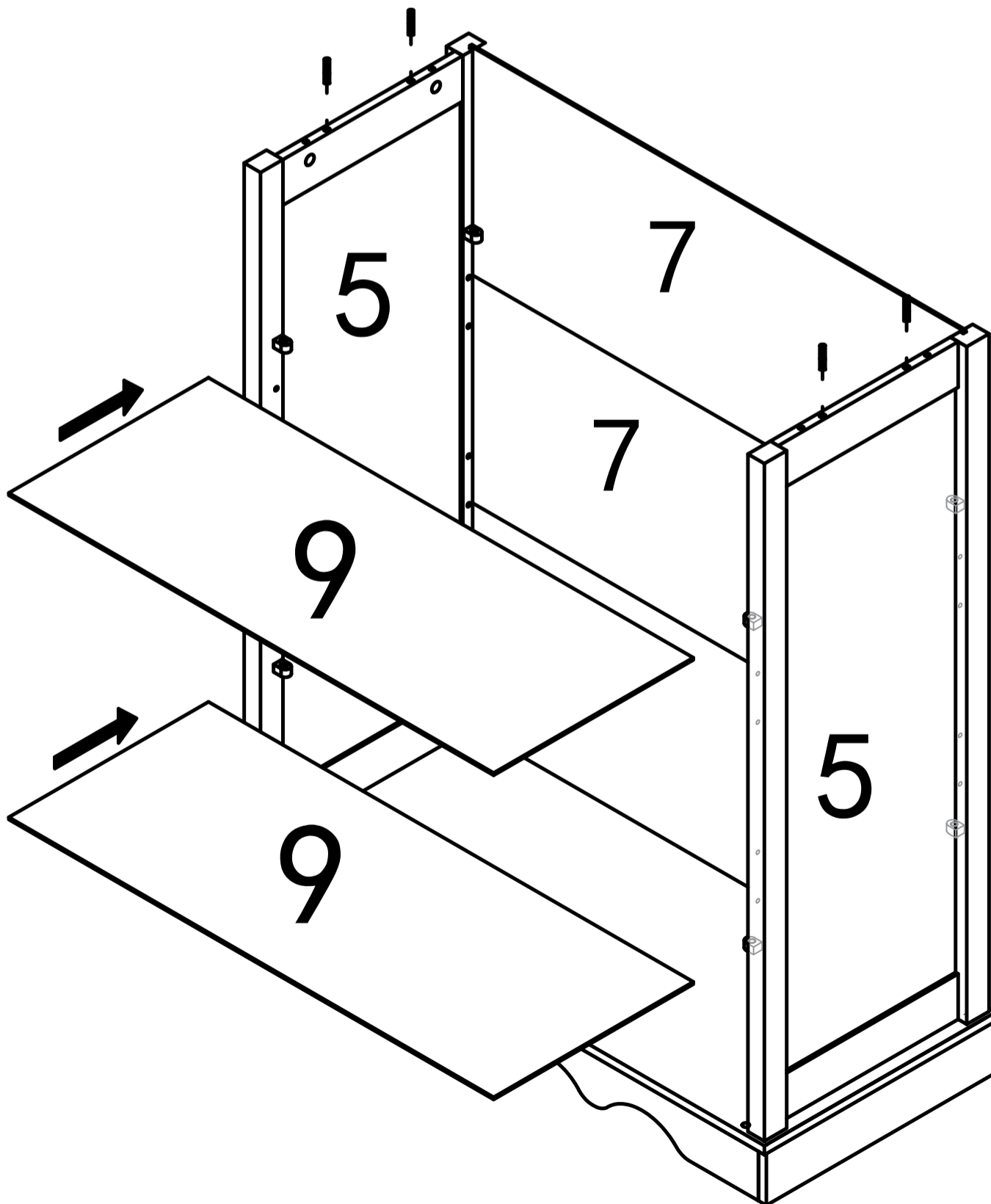
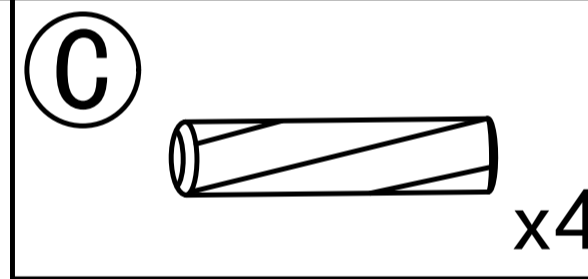


Step 13

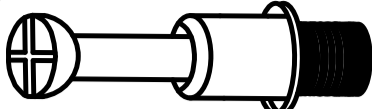
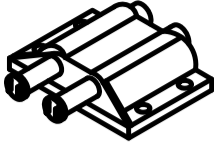



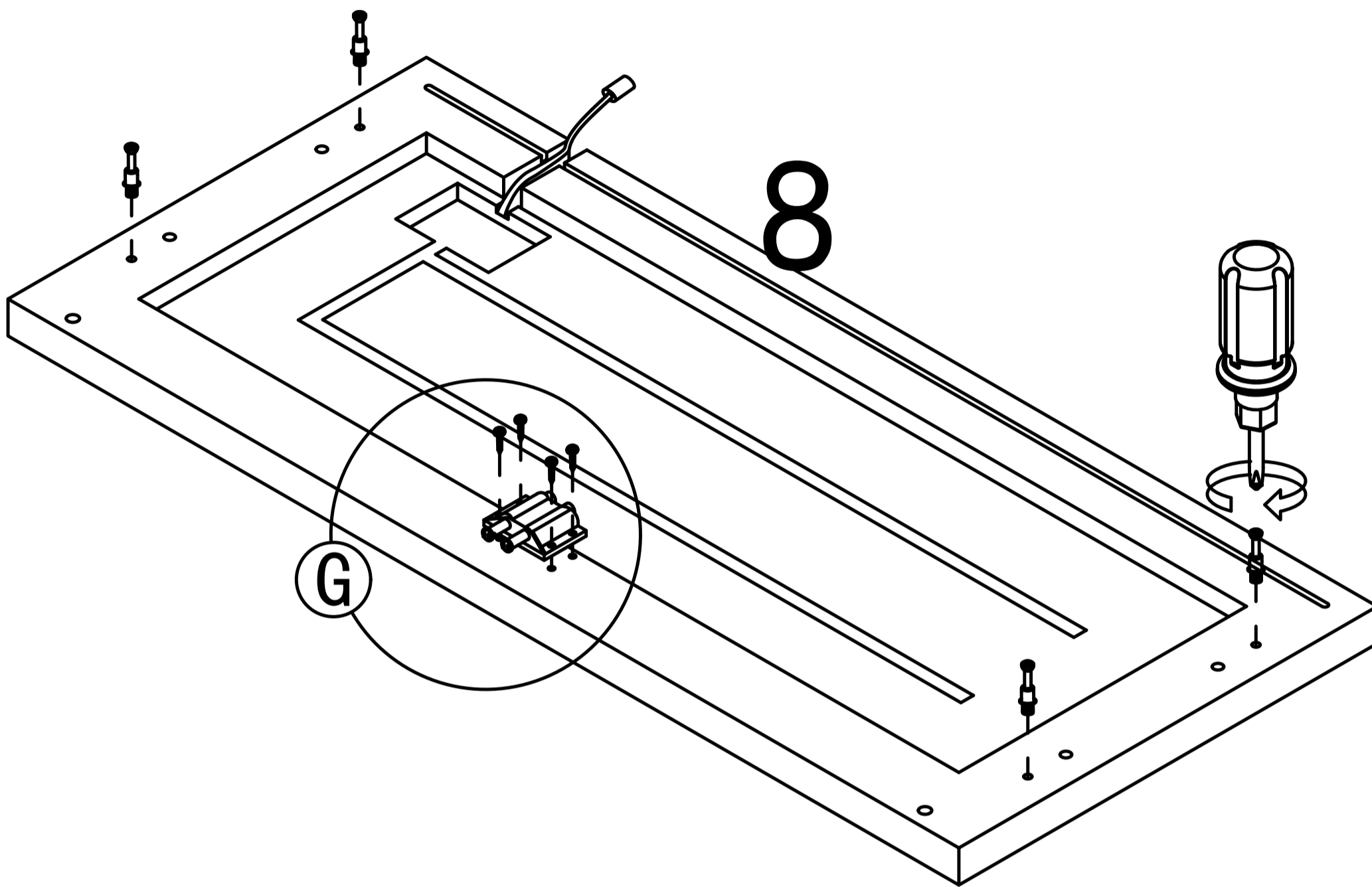
The movable layer can be adjusted according to individual needs

Step 14

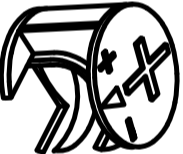


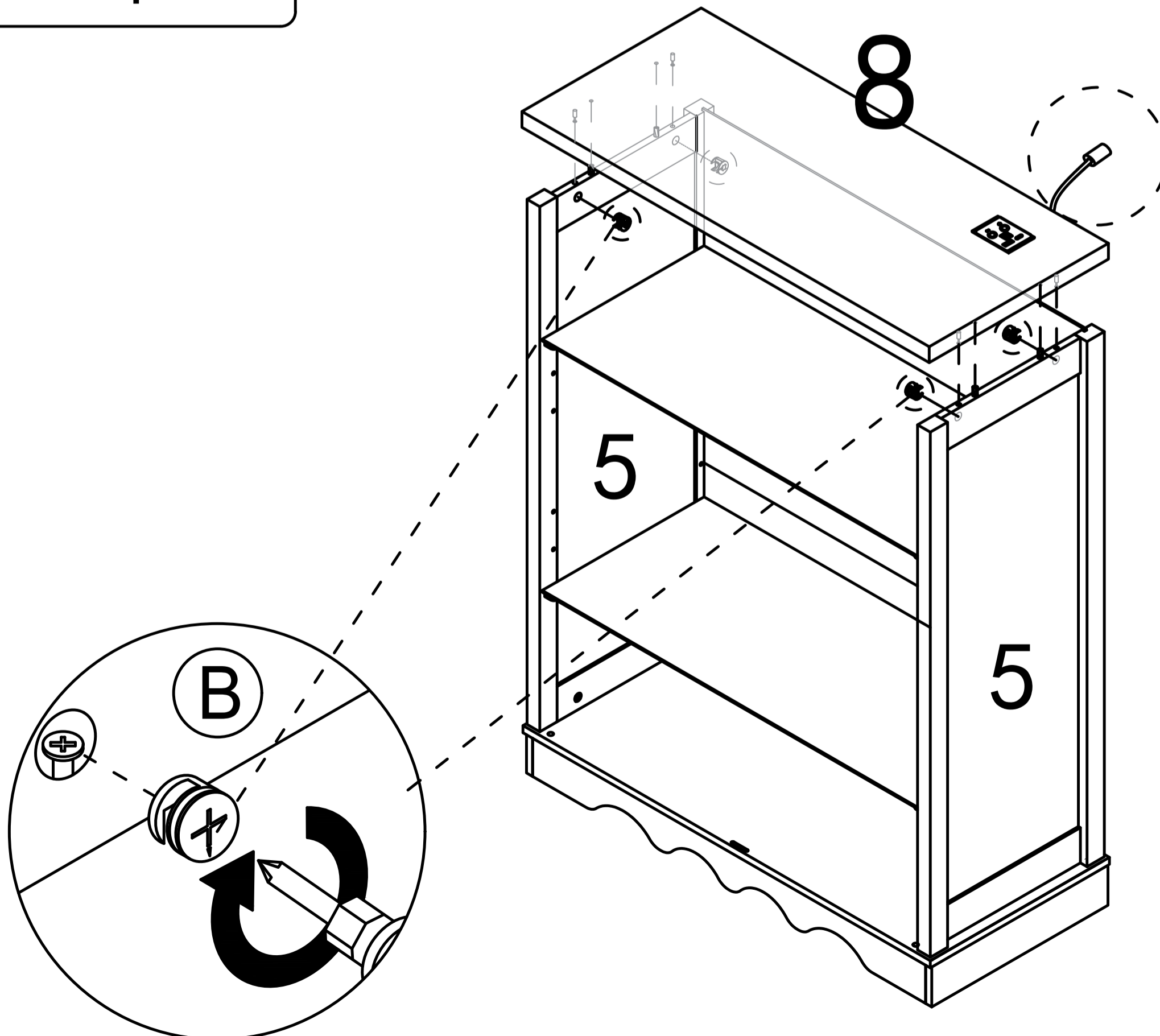
Step 15

- (A)  x4
- (G)  x1  x4



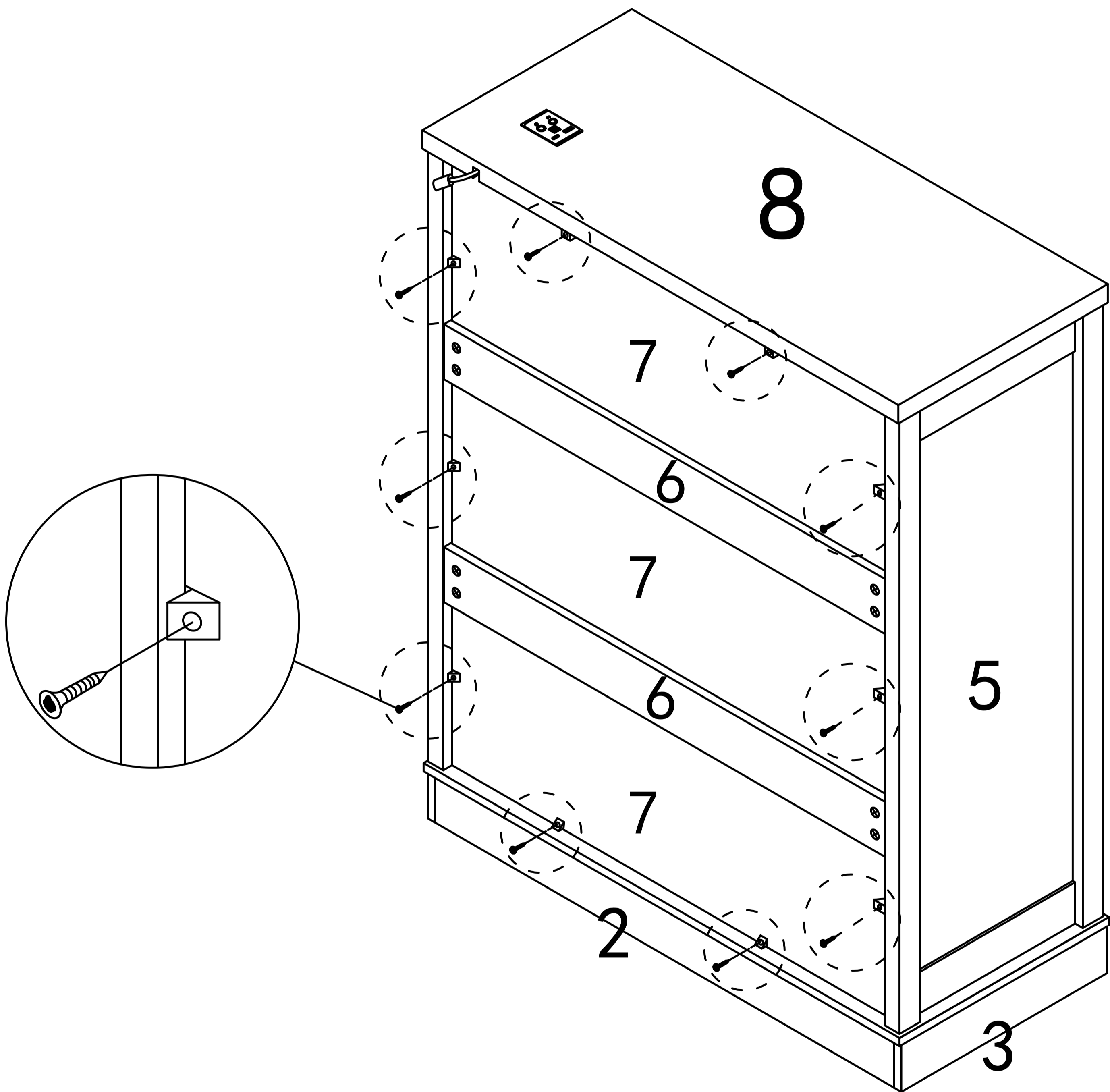
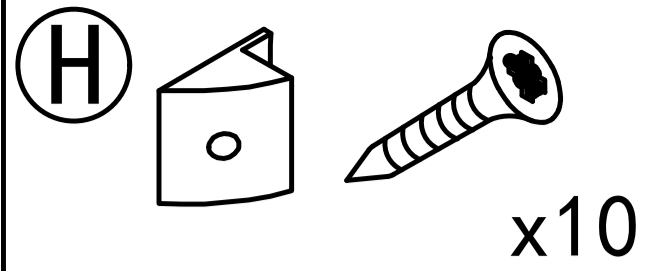
Step 16

- (B)  x4



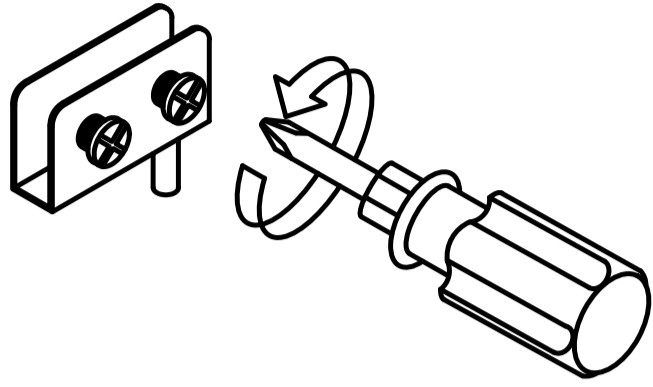
Run the power cord outside before installation.

Step 17

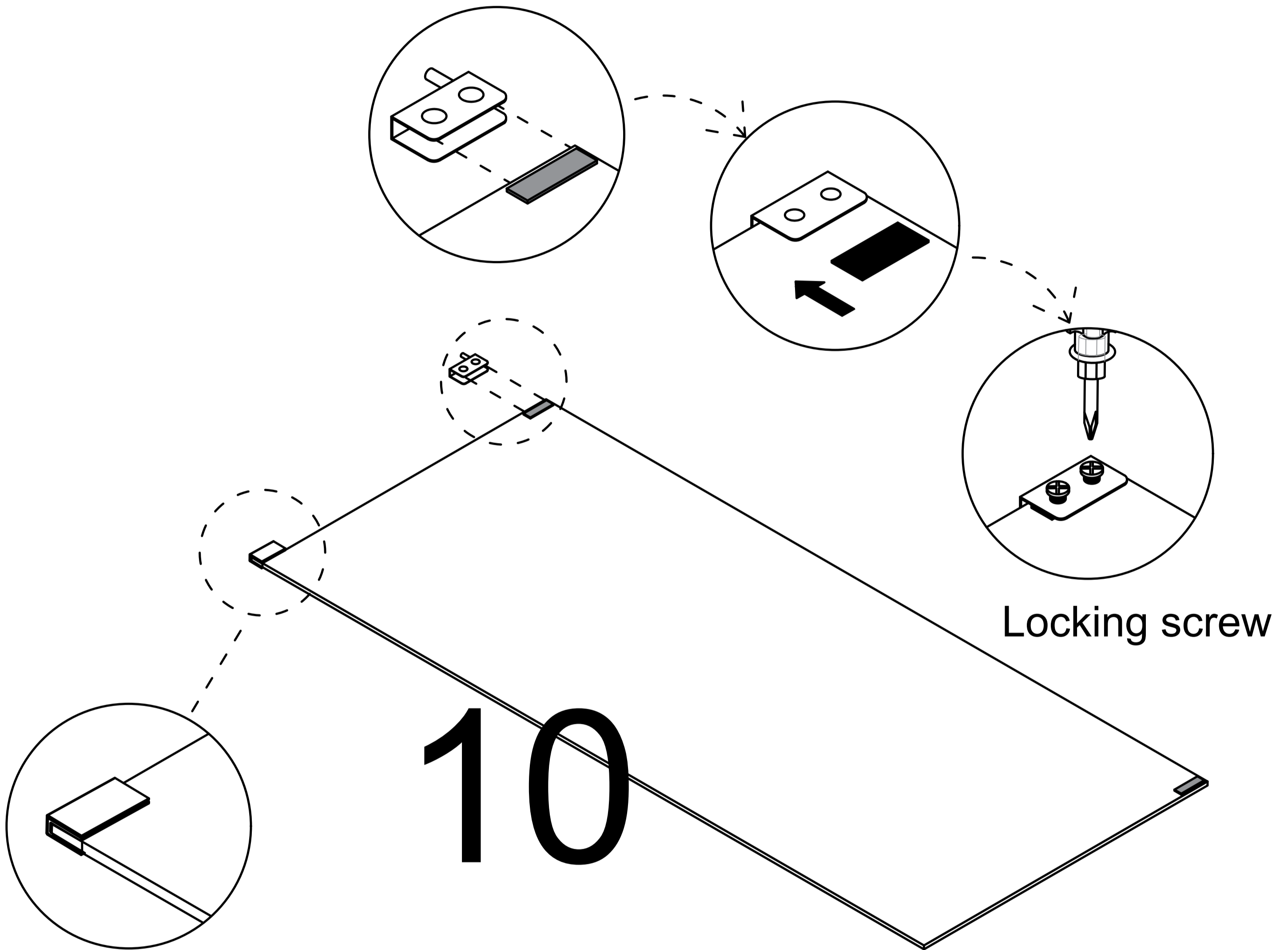
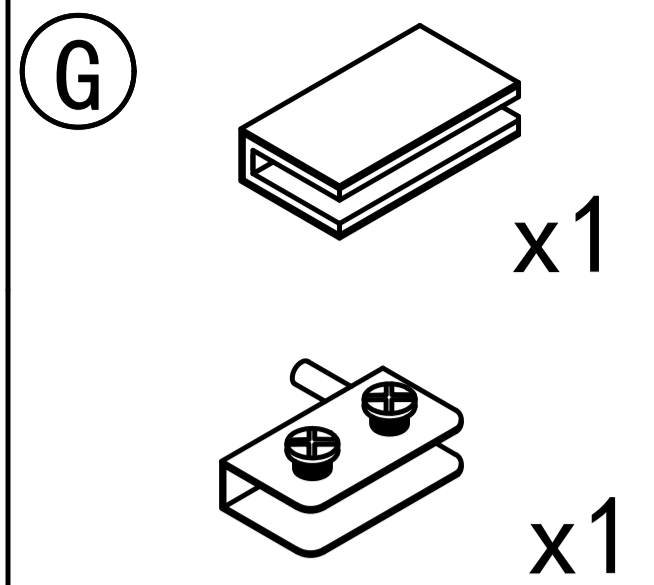
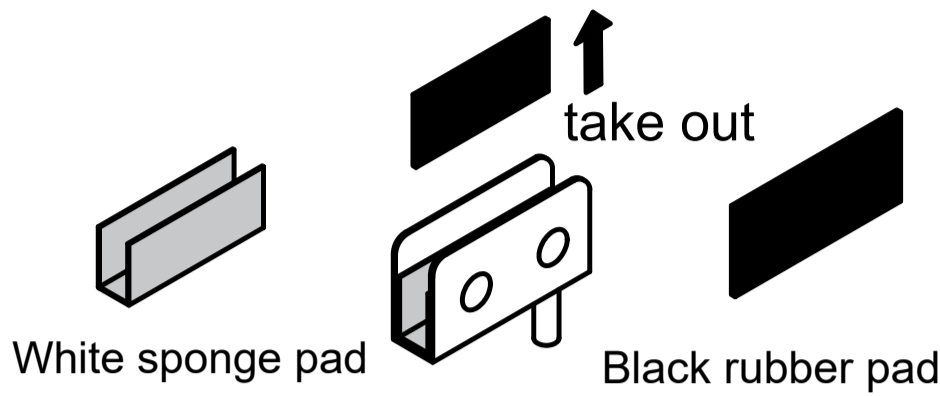


Step 18

First, completely unscrew the screws on the parts



Then take out the black rubber pad from the inside of the part, and the white sponge remains unchanged inside the part.

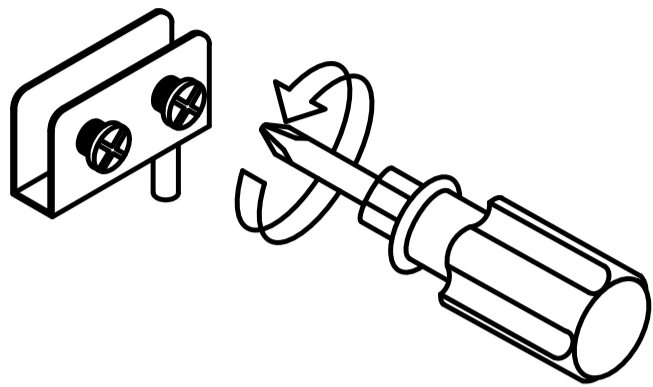


Pay attention to the direction of the door hinge, rotate the screws to compress the black gasket, and do not place it in the opposite direction

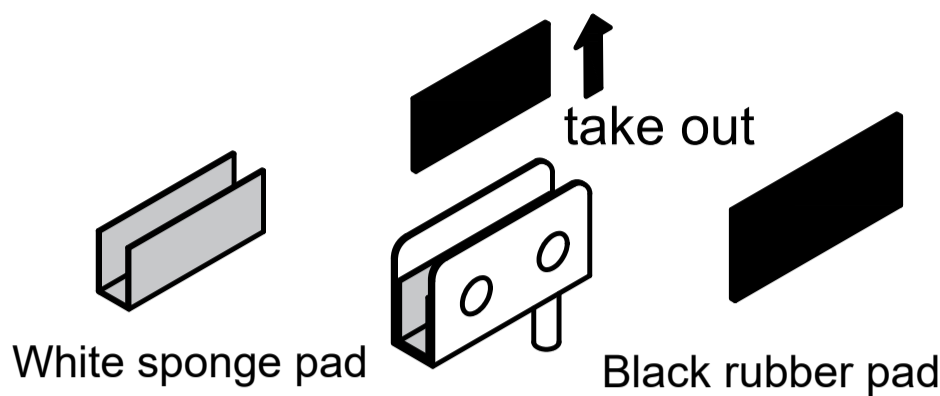
Place the black gasket on the side where the screws are installed

Step 19

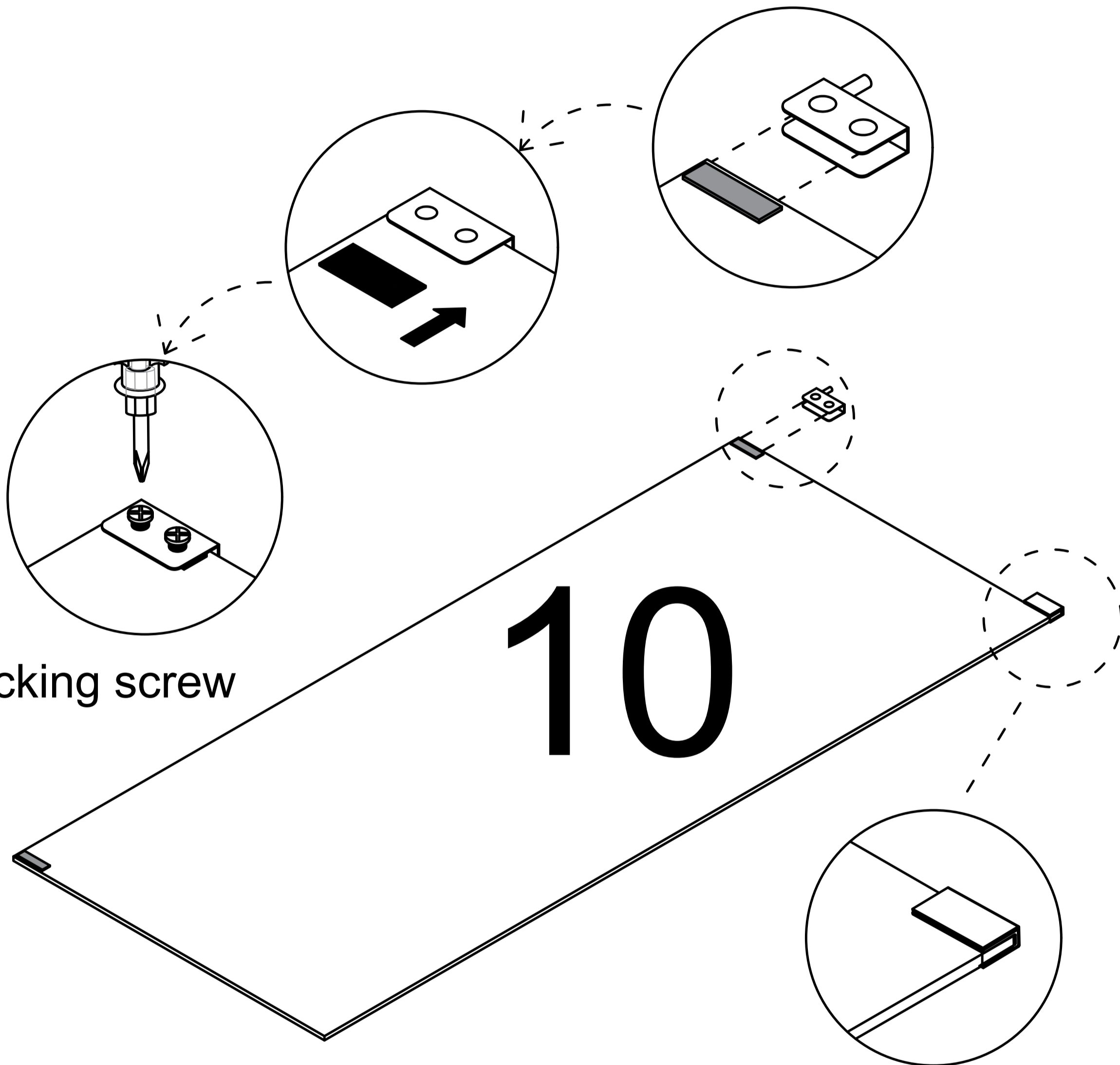
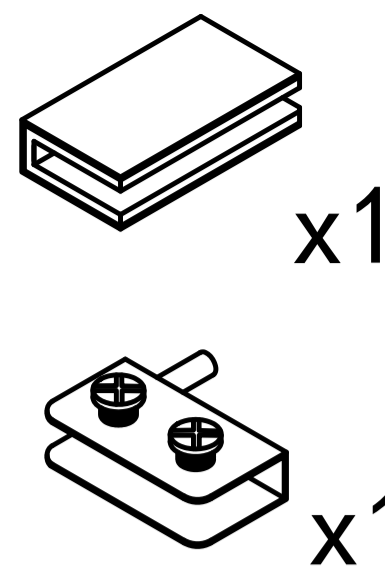
First, completely unscrew the screws on the parts



Then take out the black rubber pad from the inside of the part, and the white sponge remains unchanged inside the part.



G



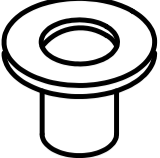
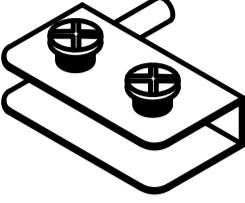
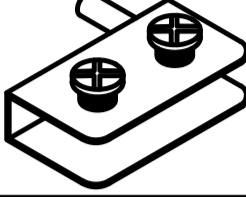
Locking screw

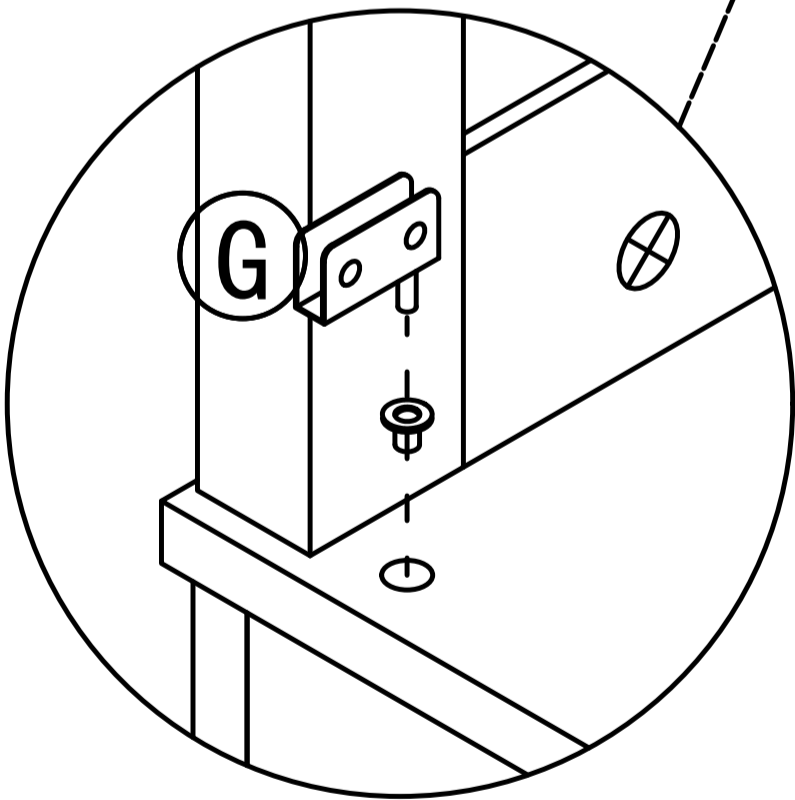
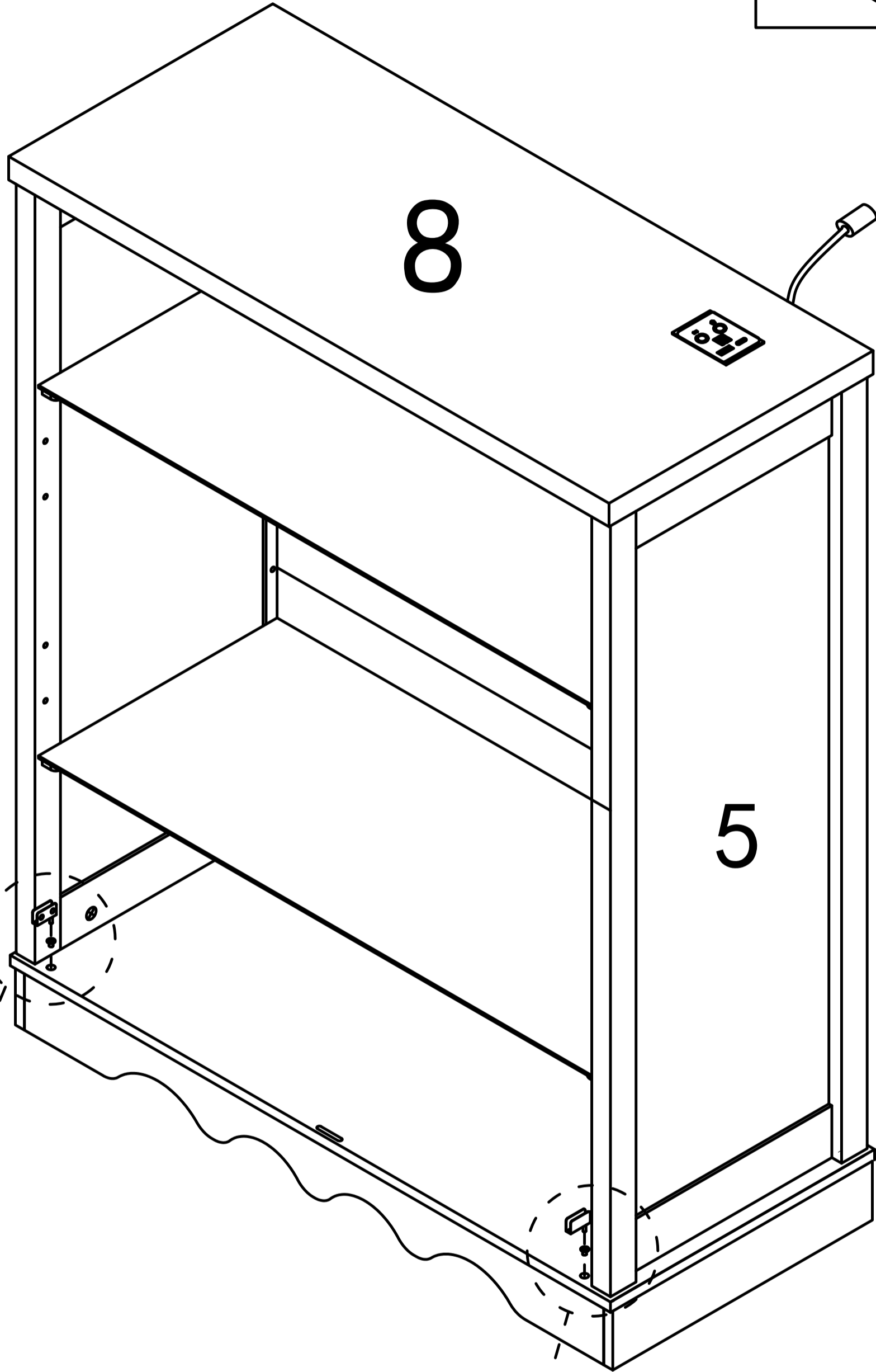
Pay attention to the direction of the door hinge, rotate the screws to compress the black gasket, and do not place it in the opposite direction

Place the black gasket on the side where the screws are installed

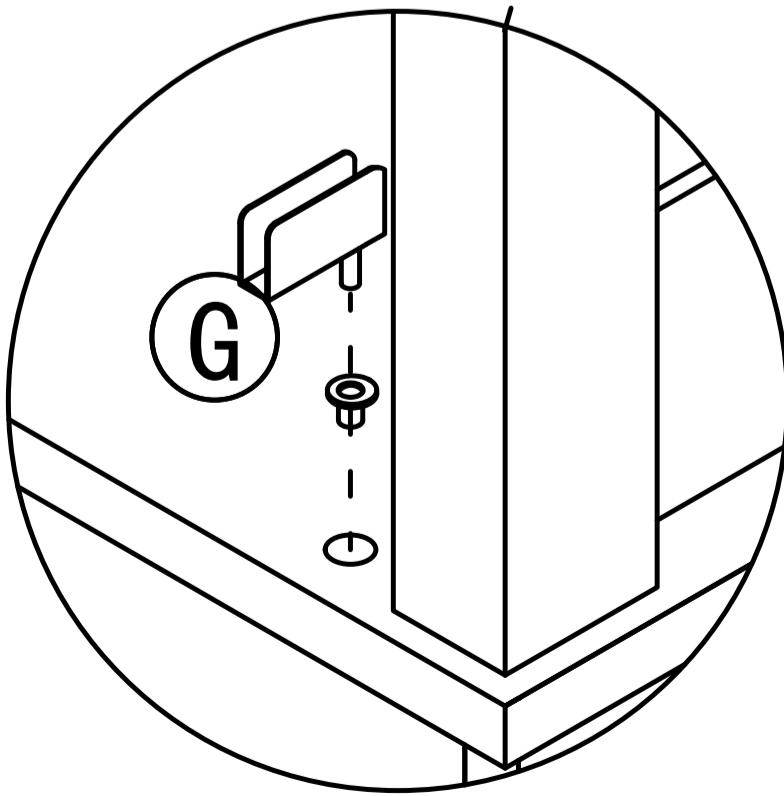
16

Step 20

- (G)  x2
-  x1
-  x1



Insert the black washer into the hole, then install the small metal piece.



Step 21

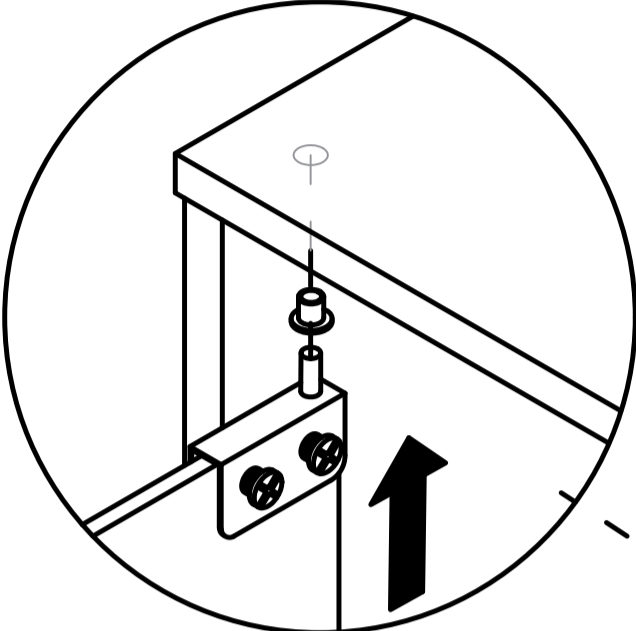
Pay attention to the direction of the door hinge during installation

G

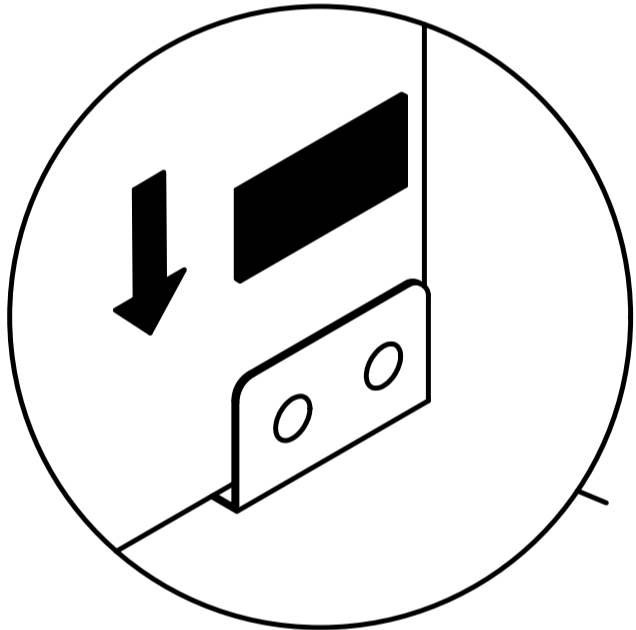


x1

When installing a glass door, it is recommended to have two people install it to avoid the glass door colliding or hitting oneself.

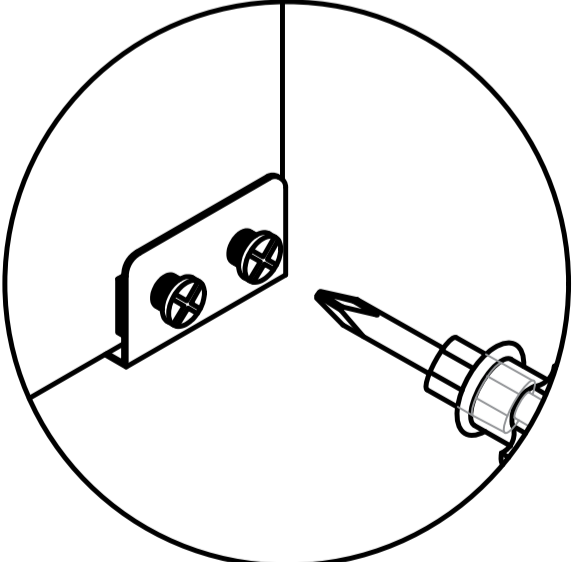


first



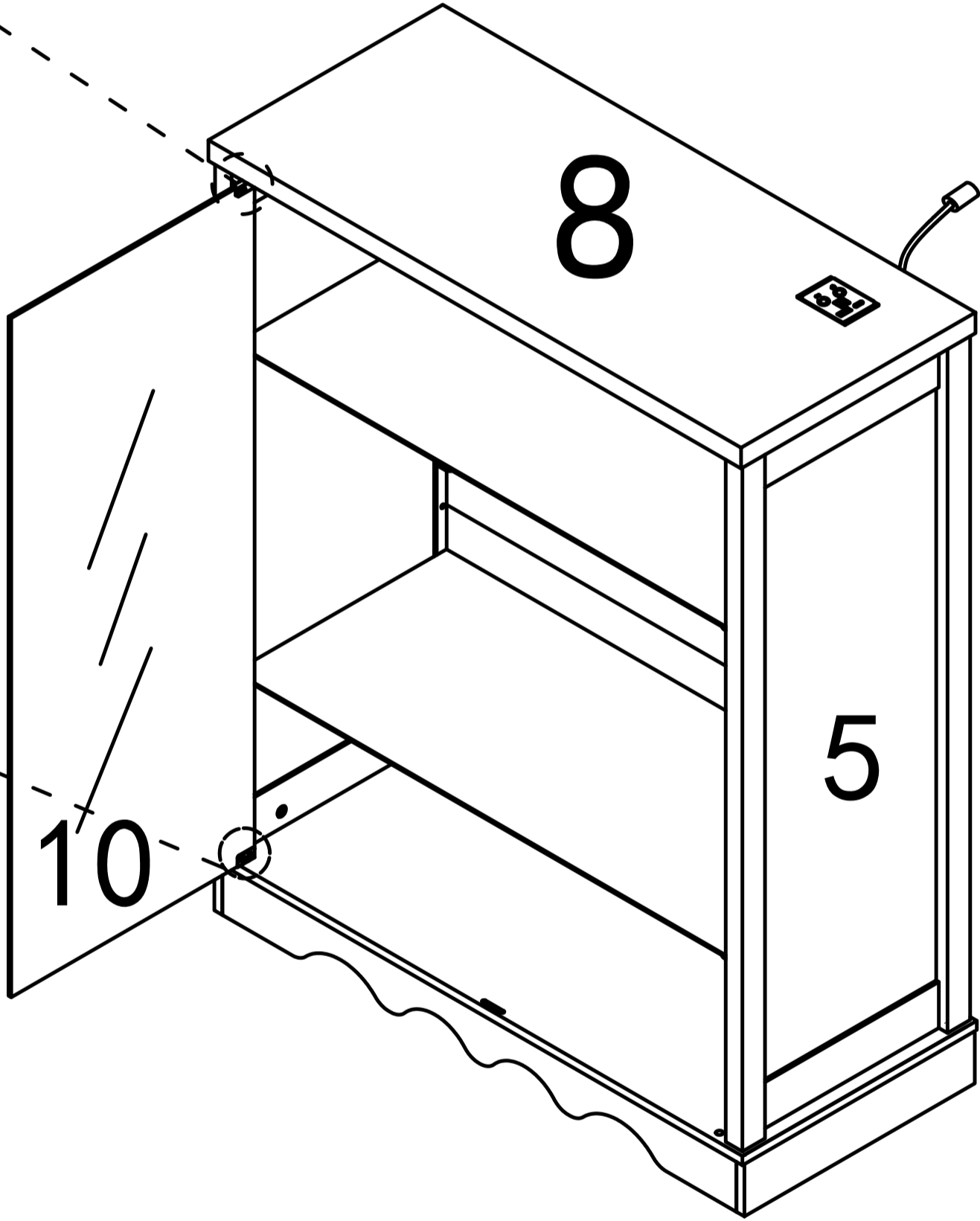
second

After installing the glass door, place the black gasket on the side where the screws are installed



third

After aligning the glass door, tighten the screws to secure it.

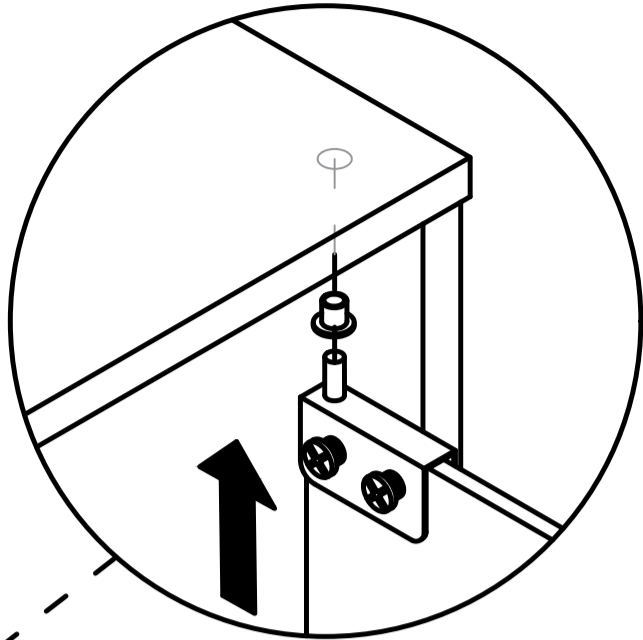
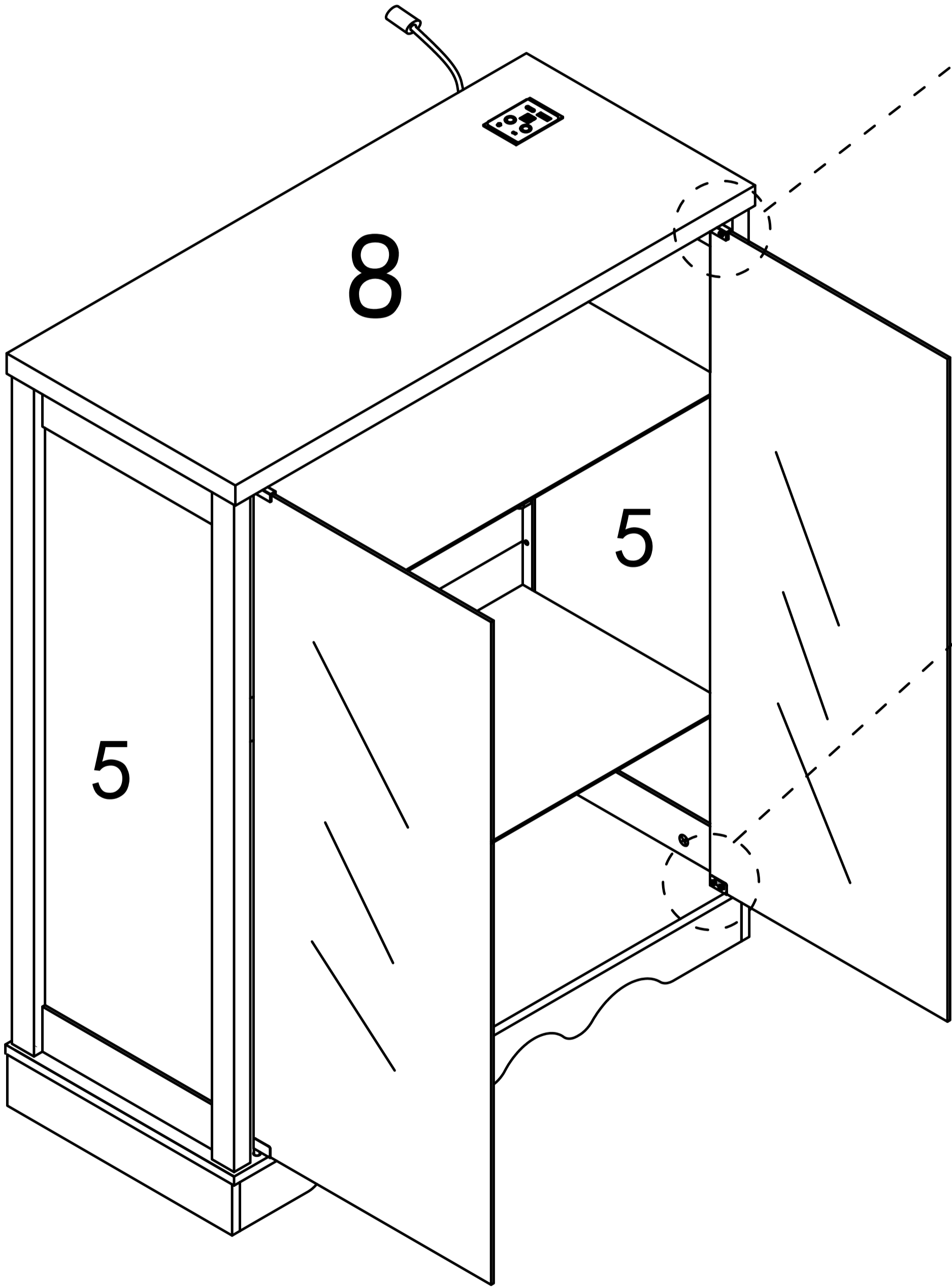


Step 22

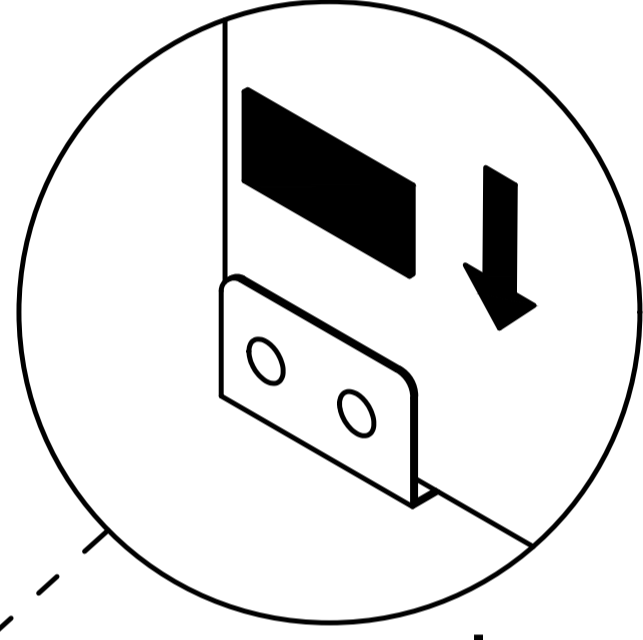
G



x1

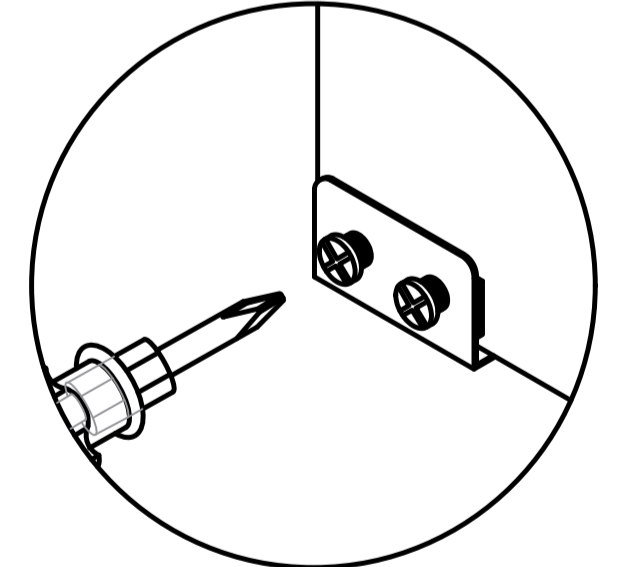


first



second

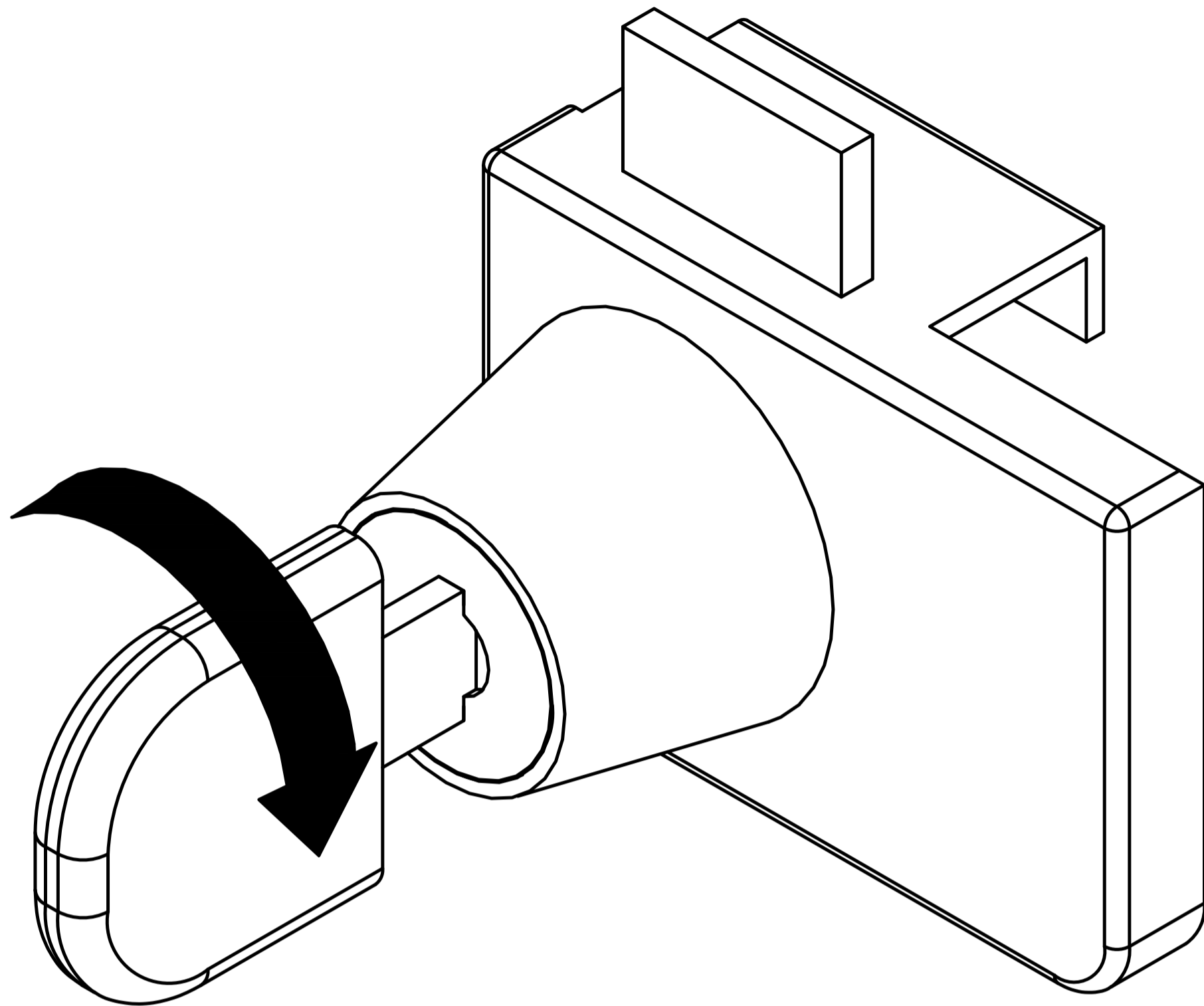
After installing the glass door, place the black gasket on the side where the screws are installed



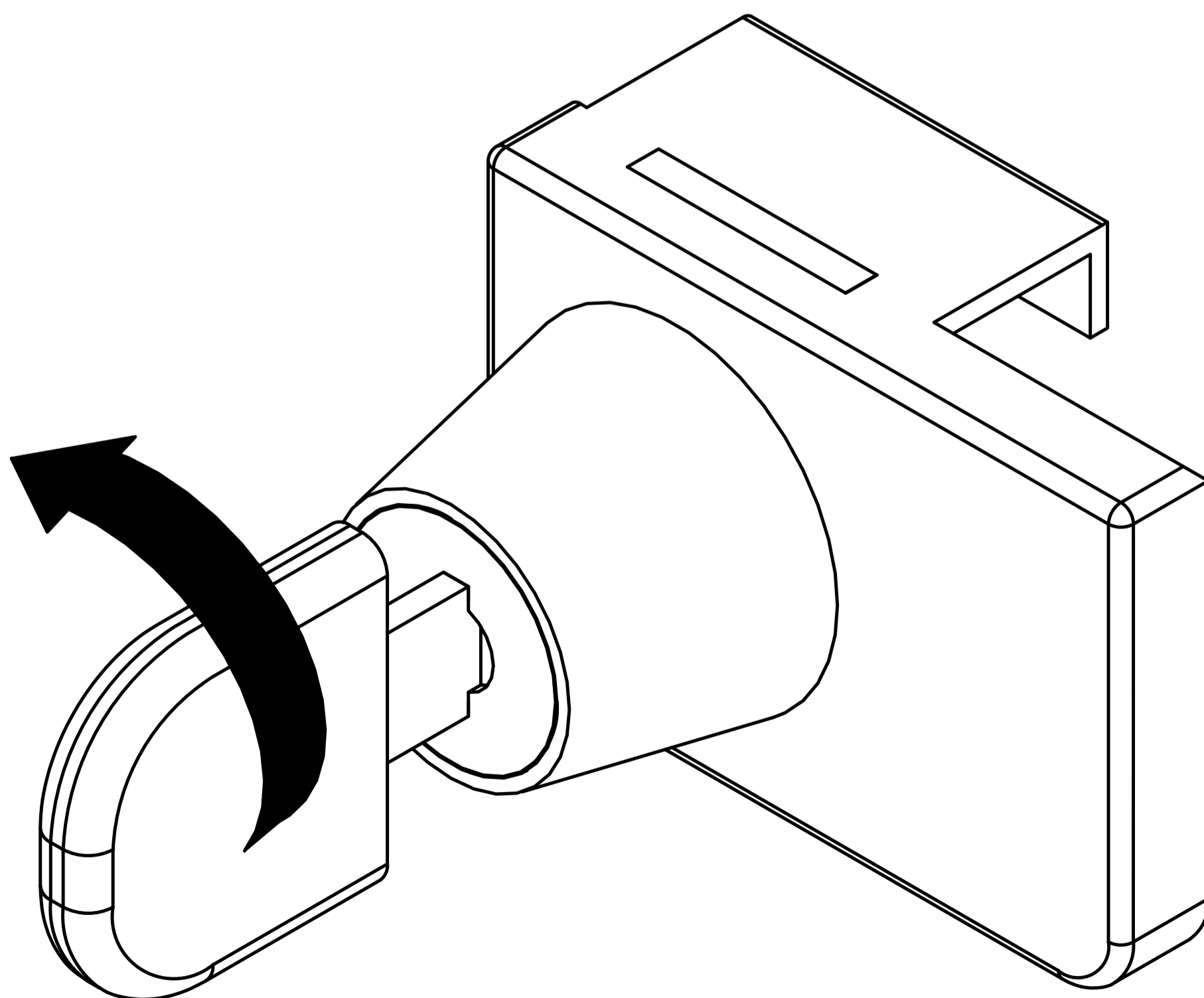
third

After aligning the glass door, tighten the screws to secure it.

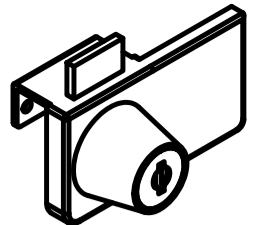
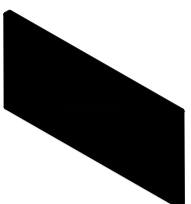

Tip: Turning the door lock to the right will close it

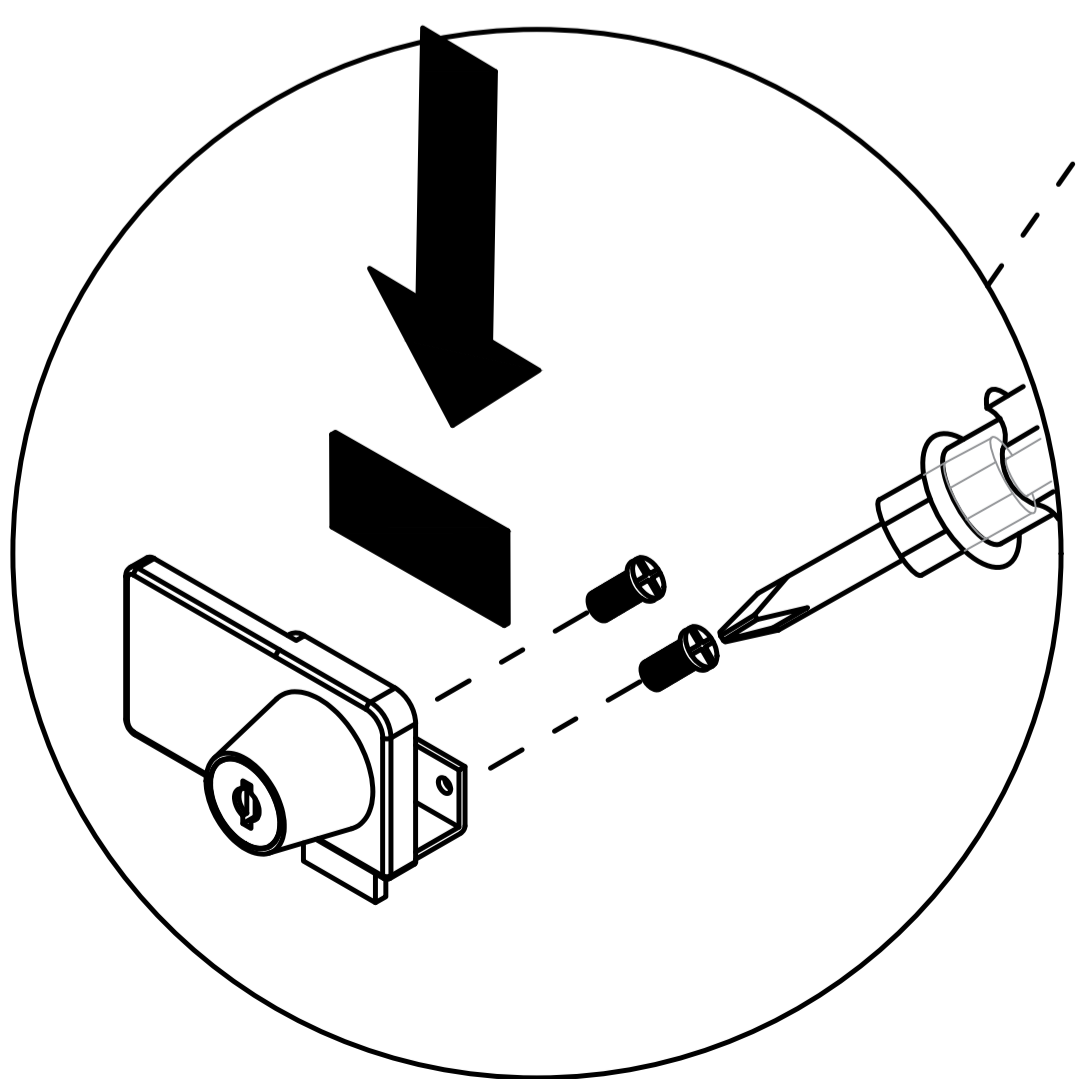
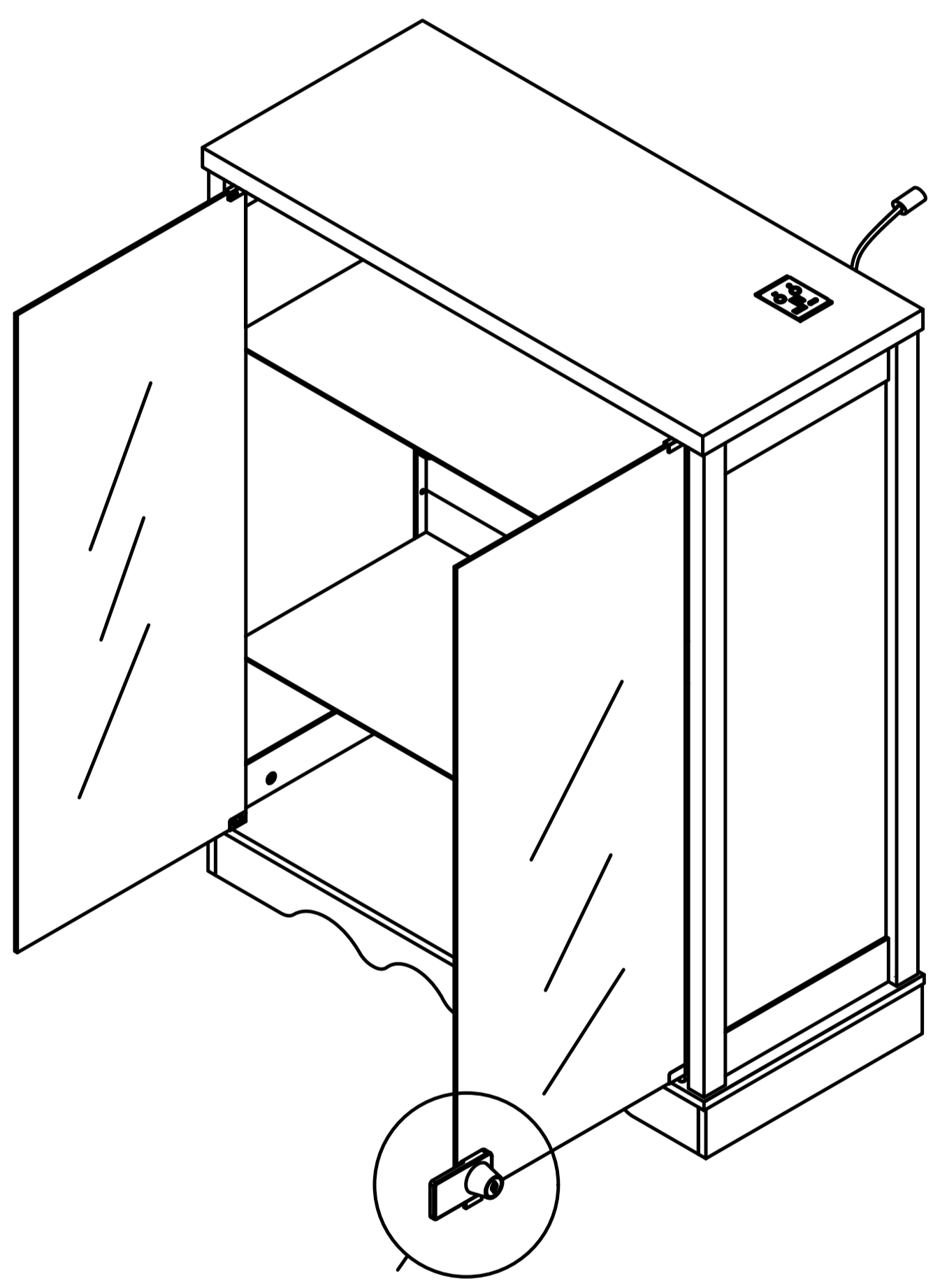


Tip: Turning the door lock to the left opens it

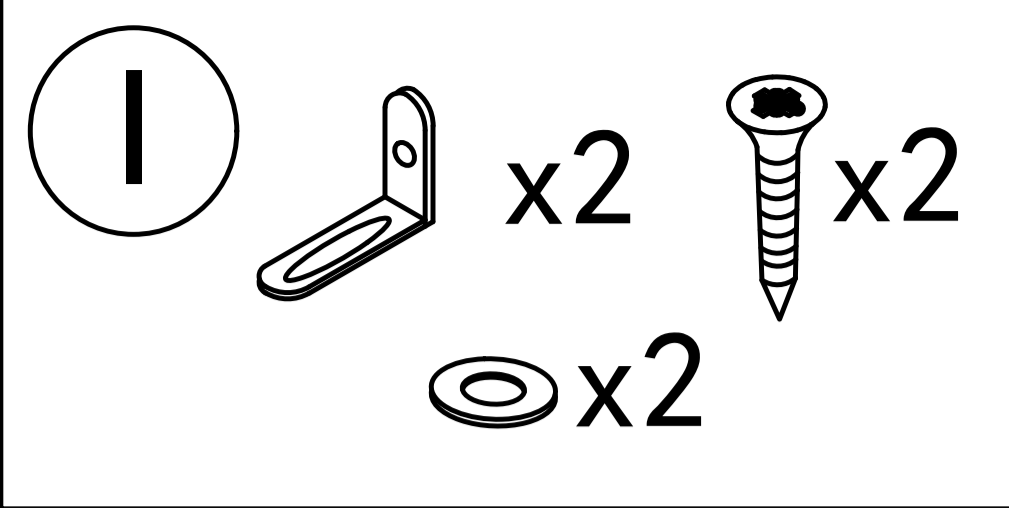


Step 23

- (F)  x1
-  x1
-  x2

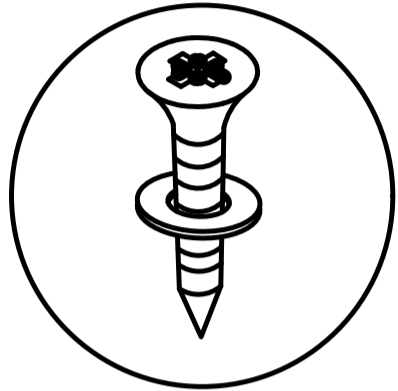


Step 24

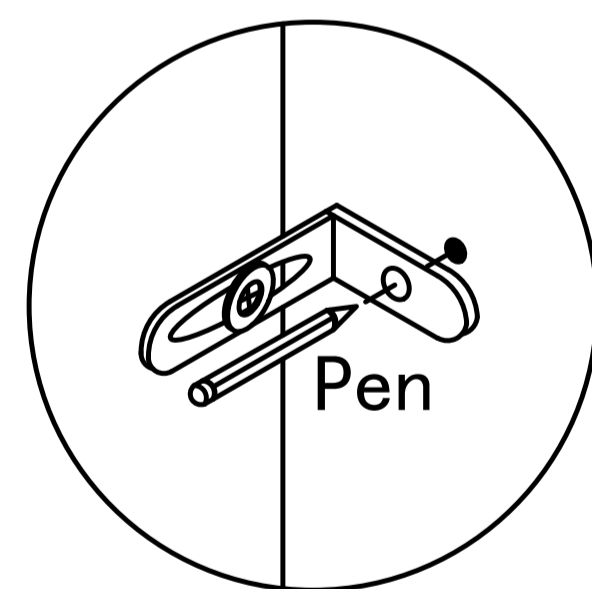
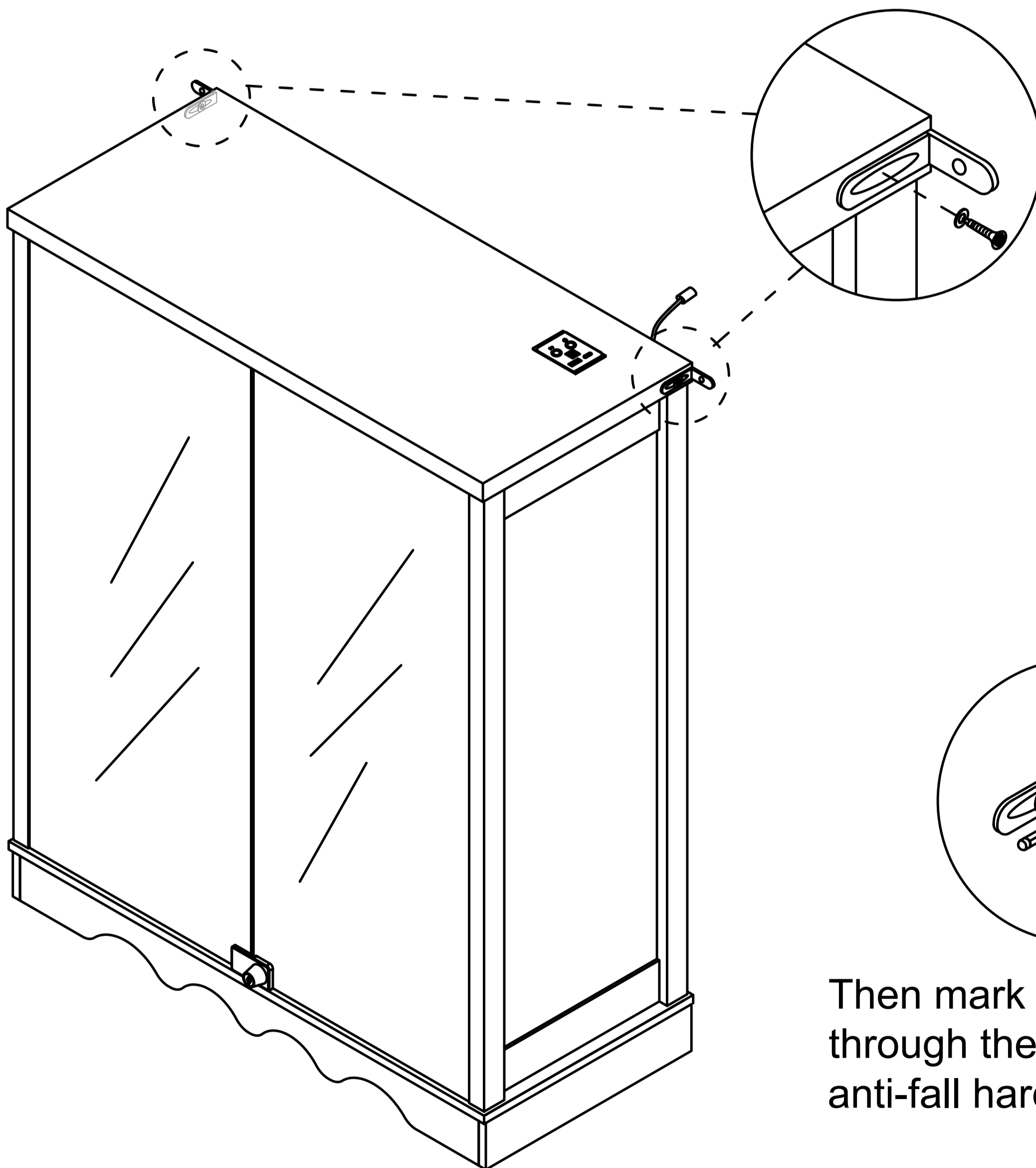


Install as required

3.5x14mm

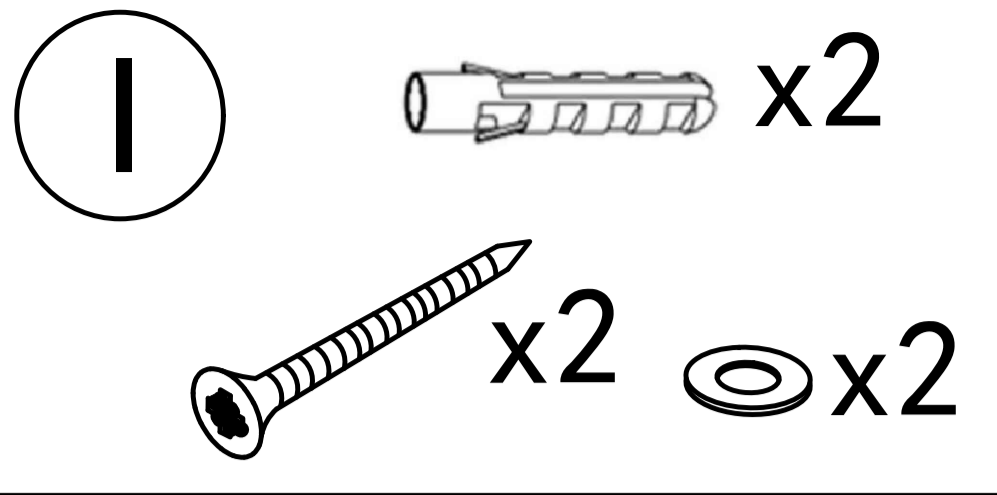
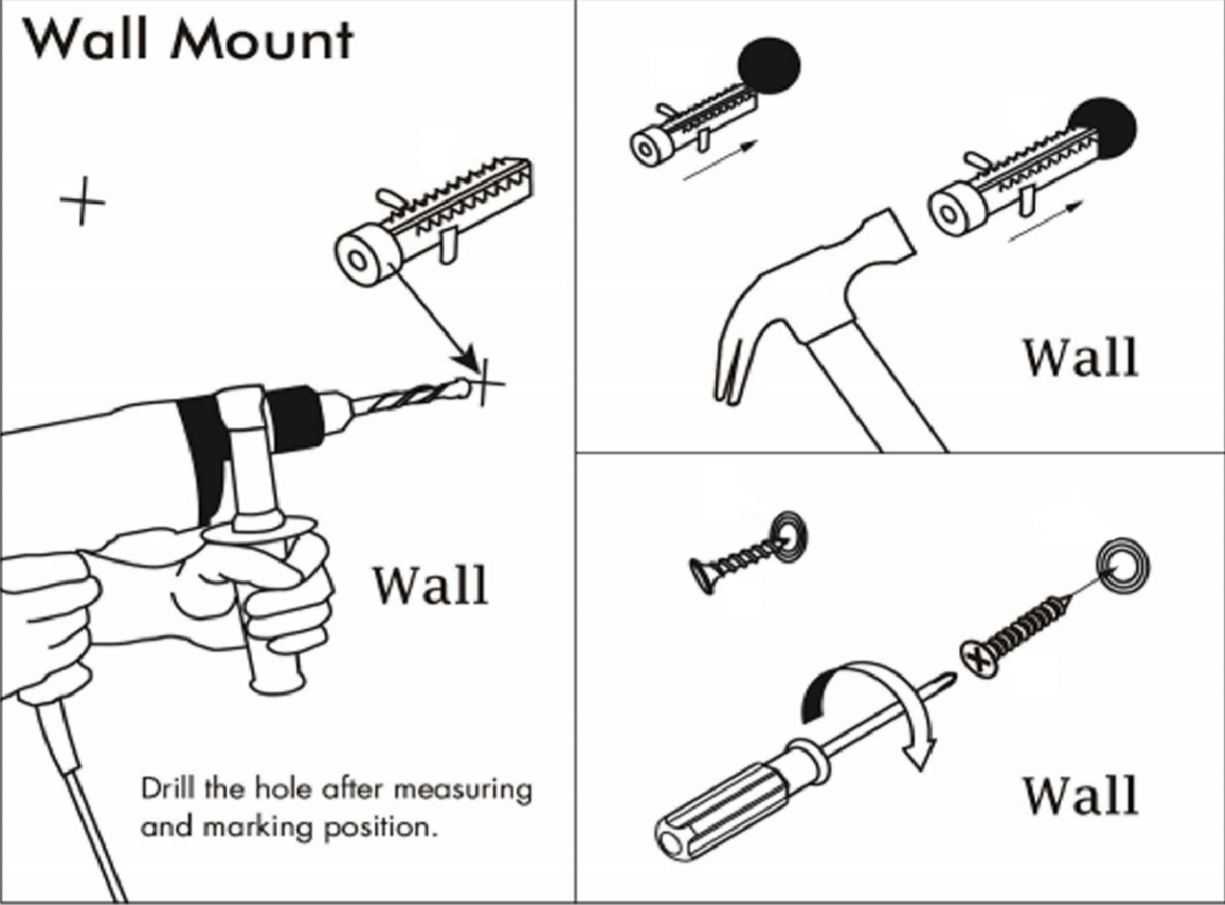


Install the anti fall hardware on the cabinet as shown in the picture first

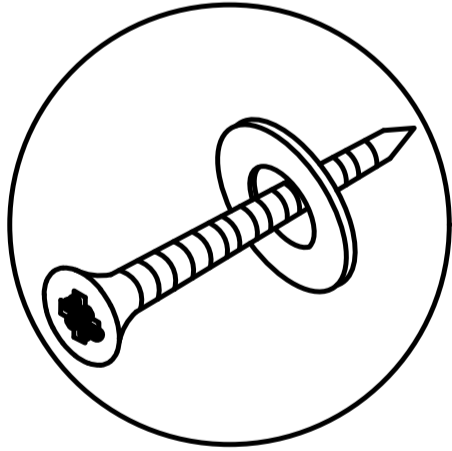
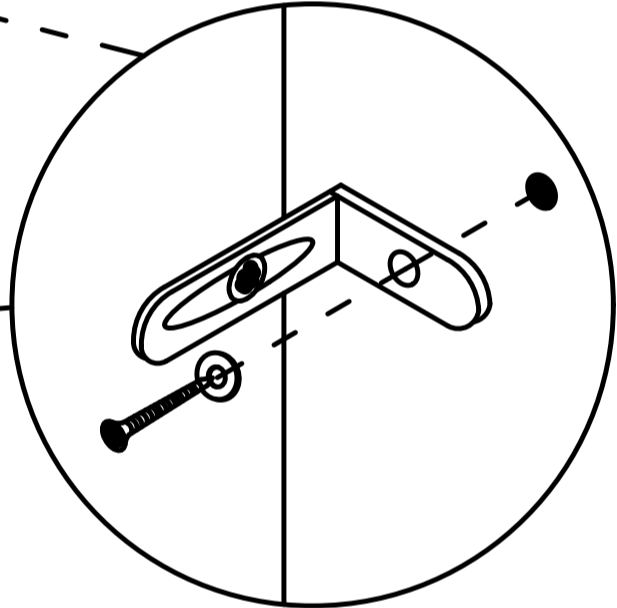
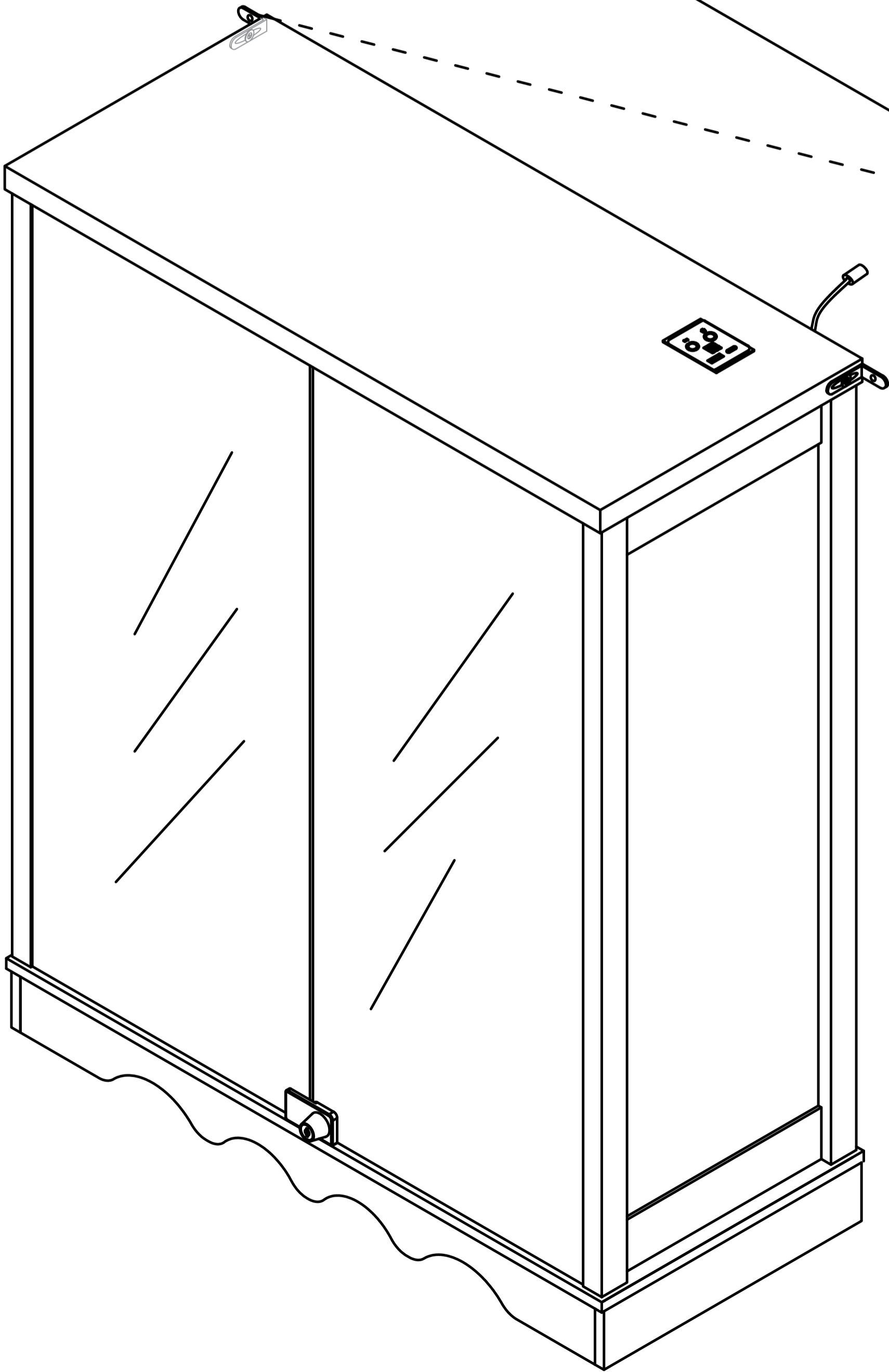


Then mark the wall with a pen through the holes in the anti-fall hardware

Step 24



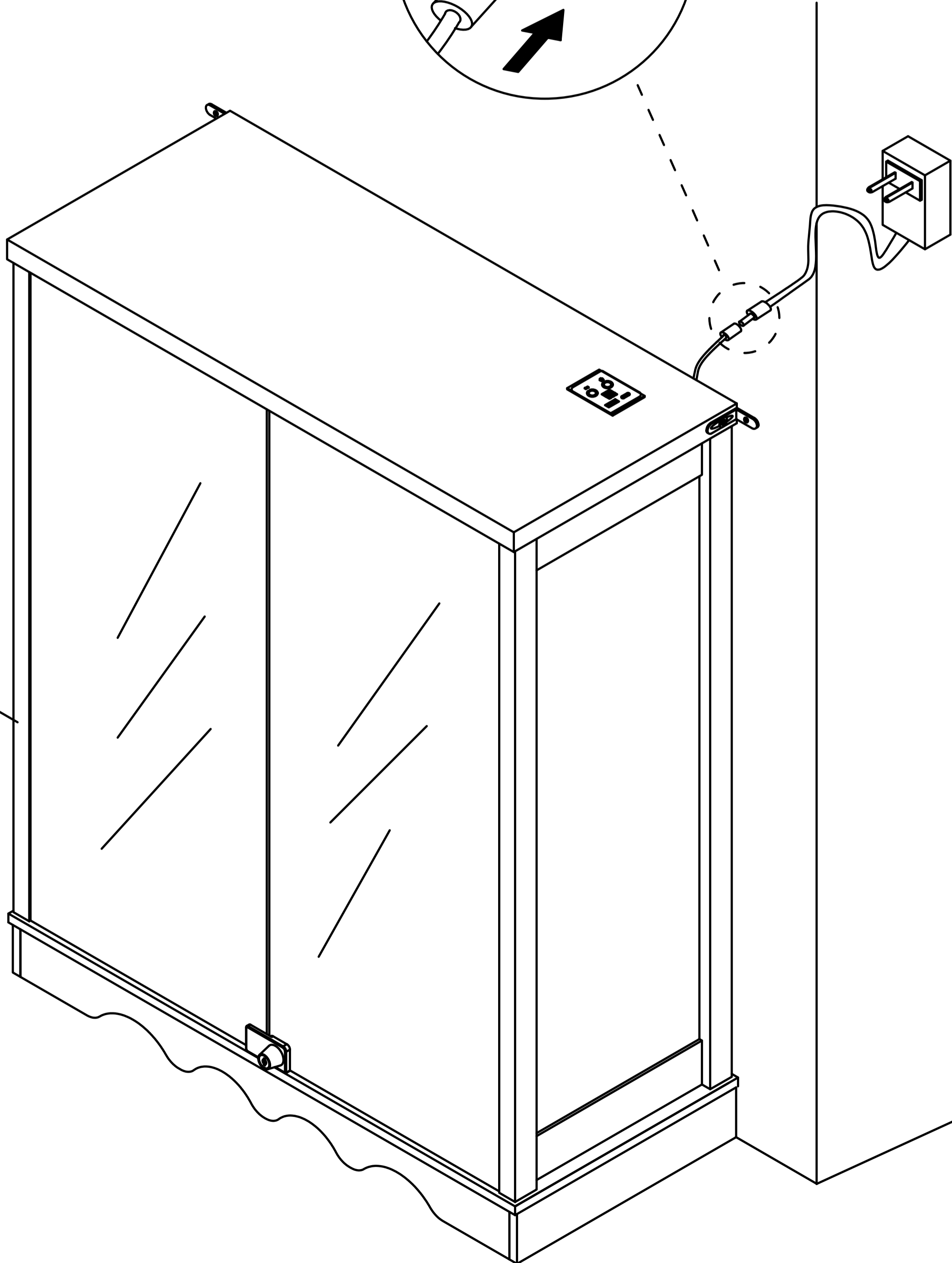
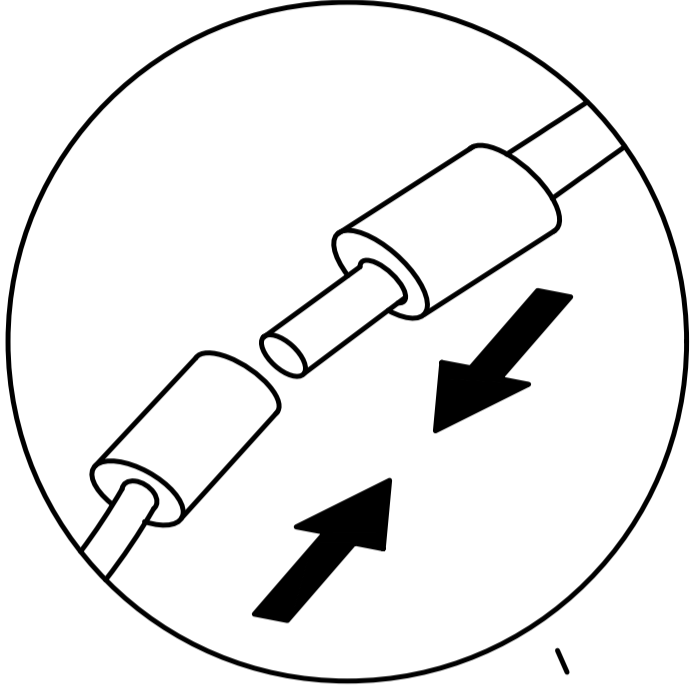
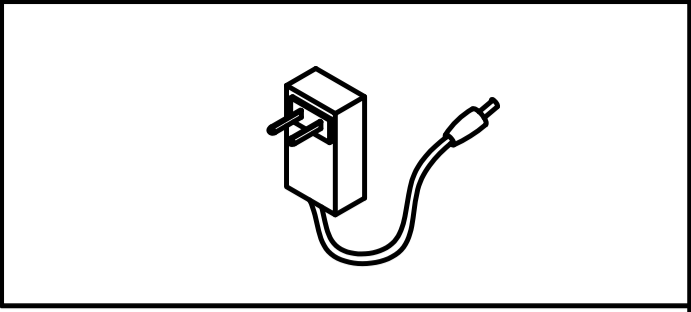
Drill the hole with an electric drill and punch in the colloidal particles



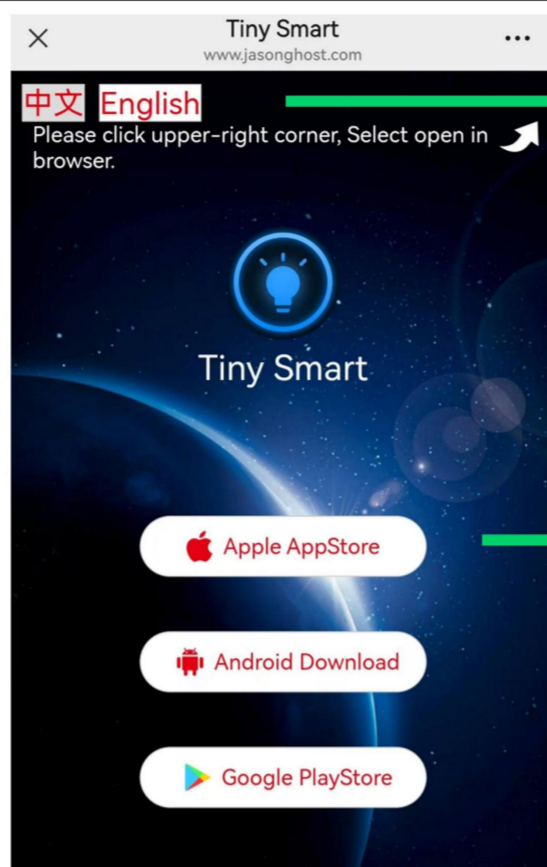
4x45mm

Fix the dressing table to the wall

Step 24

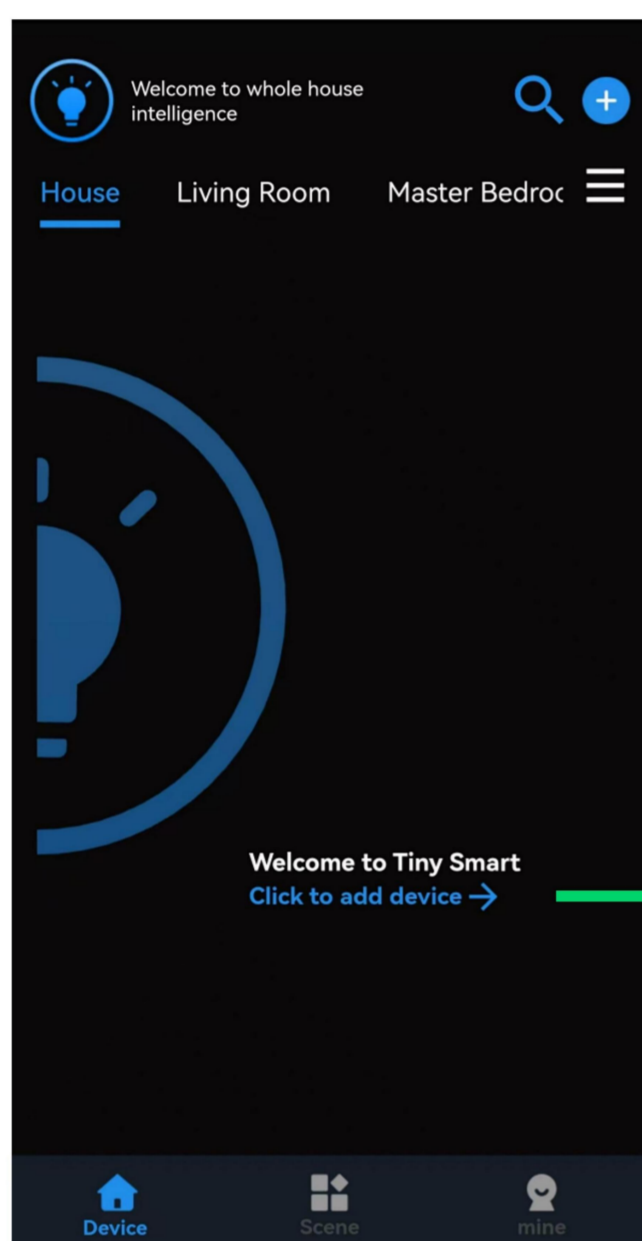


Smart Box Plug Power Off
Scan the QR code to download the app

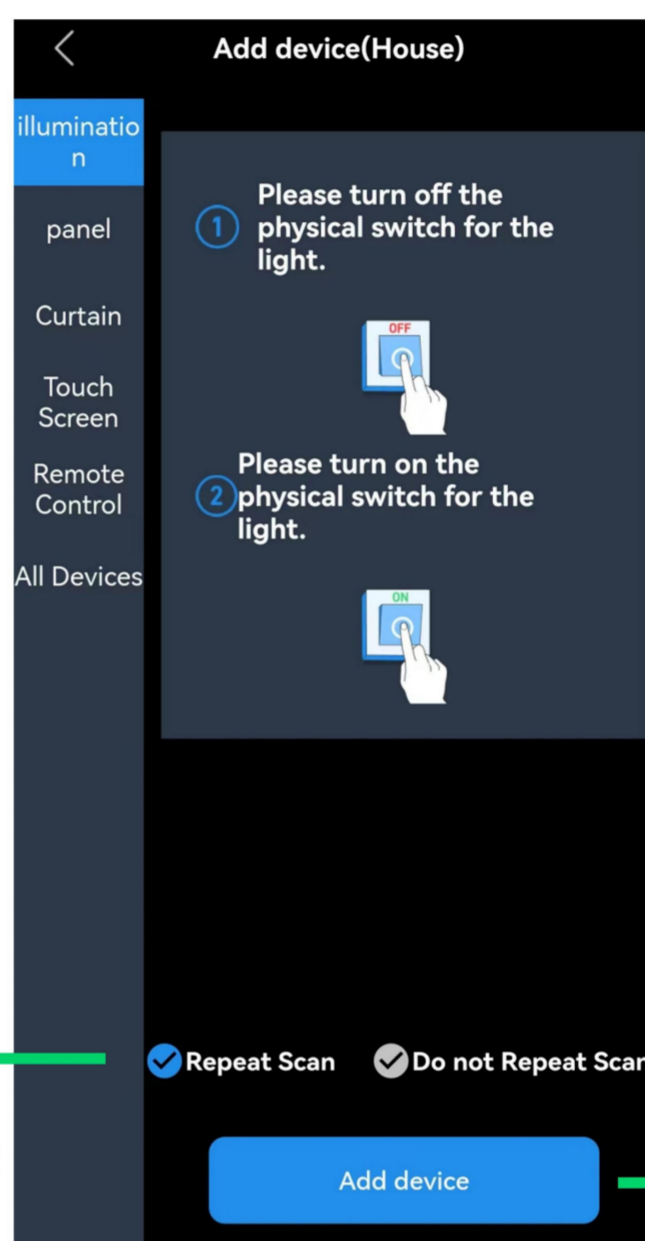


Select English Language

Select the corresponding device to download.
Note: If the download fails,
please turn off the "Enhanced Protection"
in the Pure Mode settings of the device.



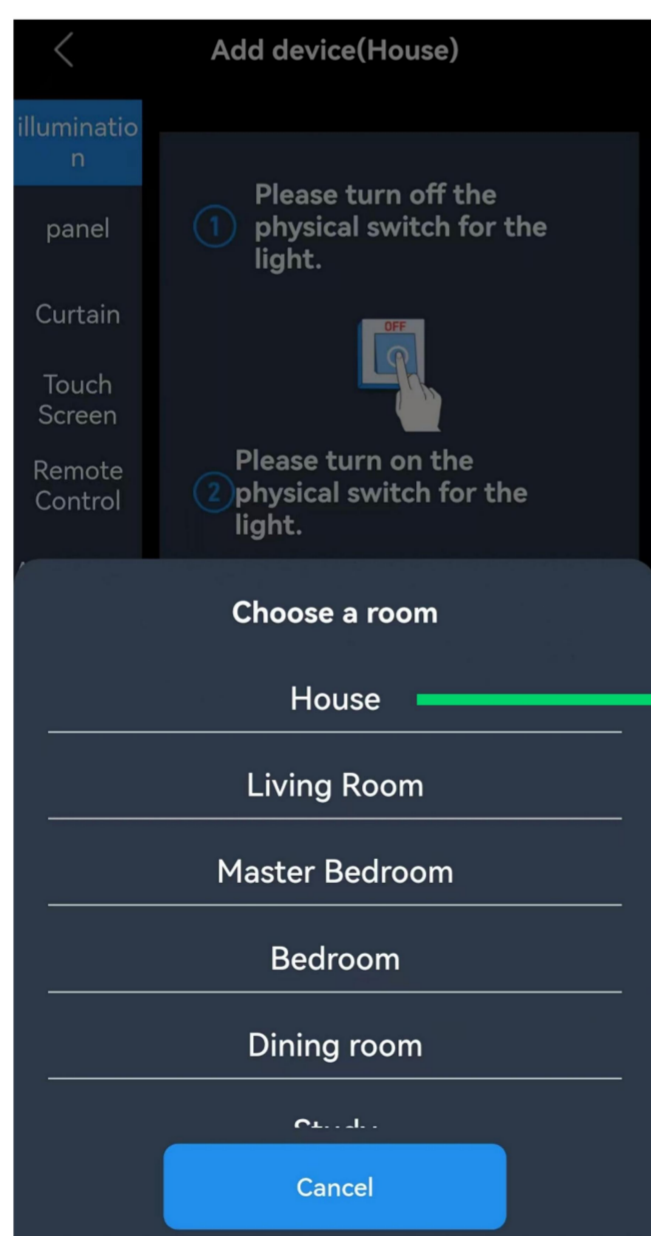
1



2

It turns blue after clicking

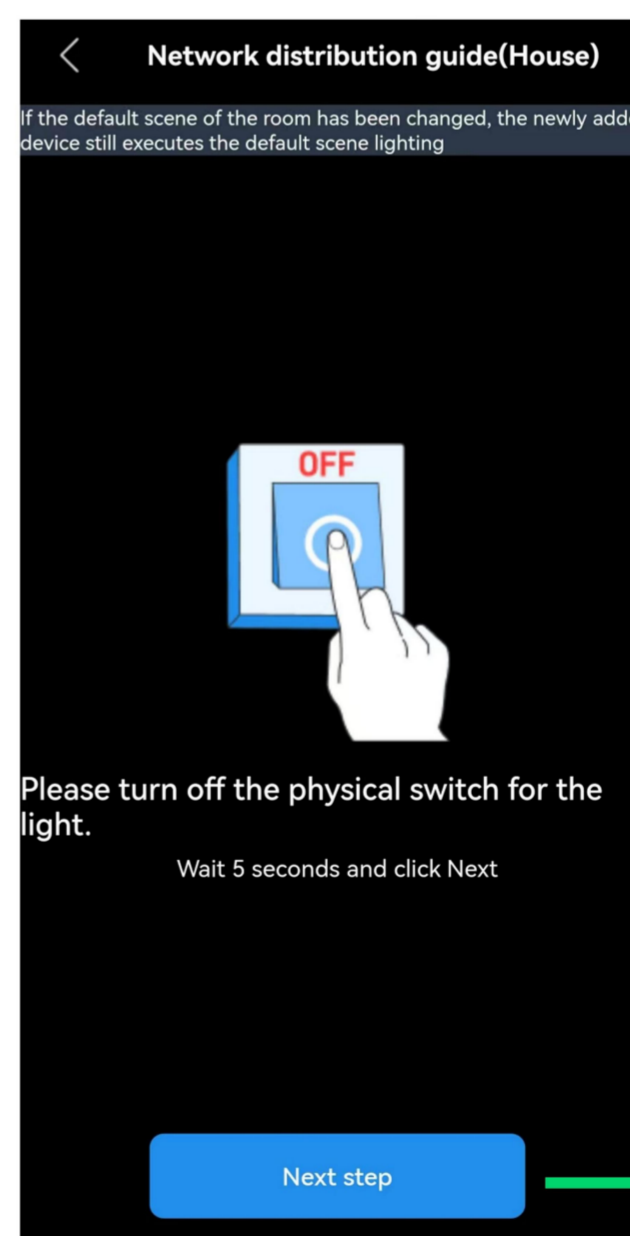
3



4

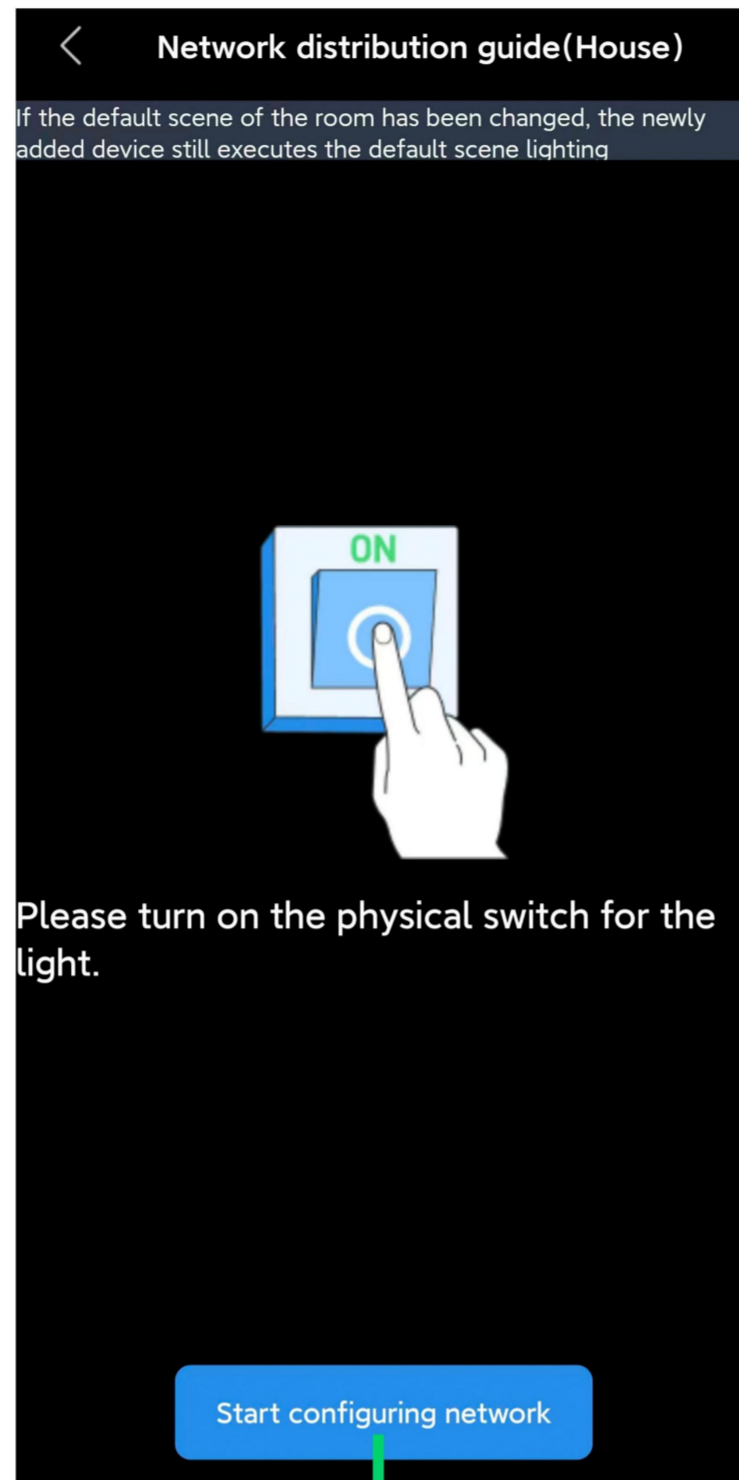


5 Unplug the smart box



6

7 Plug in the smart box power plug.

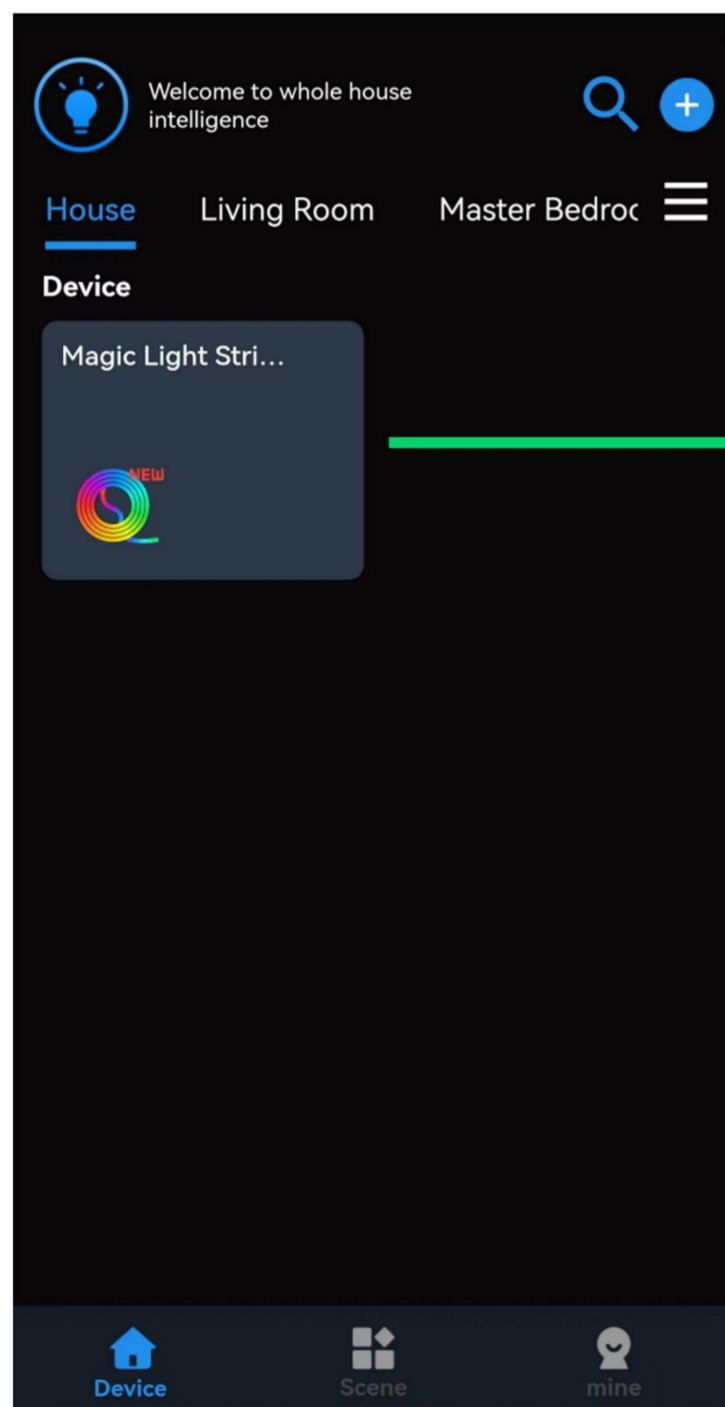


8

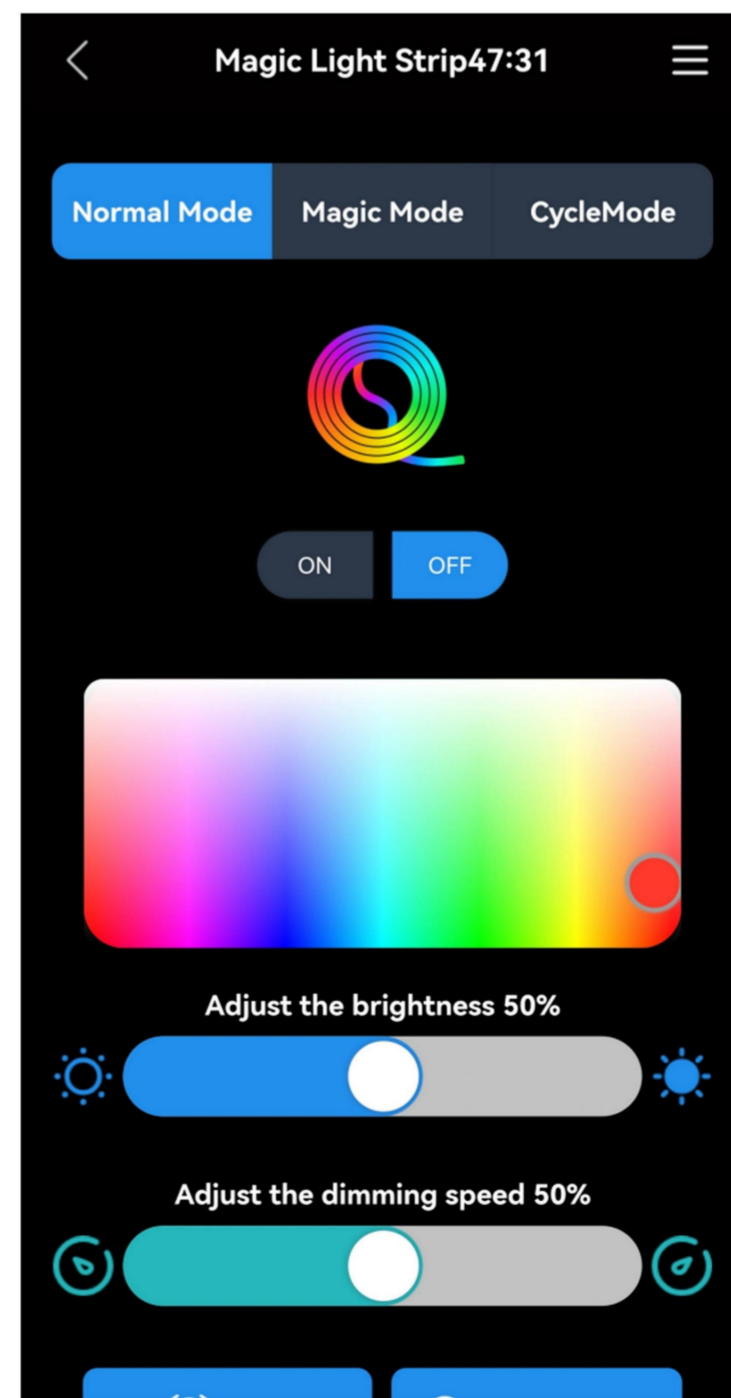
The appearance of this program icon indicates that the matching is complete



9



10



Now you can freely adjust the lighting according to your preferences



Scan code to download app

User's Guide

Thank you for purchasing this product.

To use this product, please connect it to a power source.

Please use if the product works normally after connecting to power.

If bubbles appear on the panel, remove the protective film.

Introduction

The box is an intelligent controller.

It has 1 USB output port 1 Type-c port, with 2 touch buttons ,

it can and turn ON/OFF the induction function,

turn ON/OFF the light,adjust the light luminance, and change light colors.

The lights can be controlled through both the touch buttons and a dedicated app.

Operation



This touch button is used to turn the light on/off, adjust brightness, and switch the color of the lights.

i. Single Click: Turn the light on/off.

ii. Quick Double-Click: Switch between 7 static RGB colors.

iii. Long Press (2+ seconds): Adjust the light luminance.



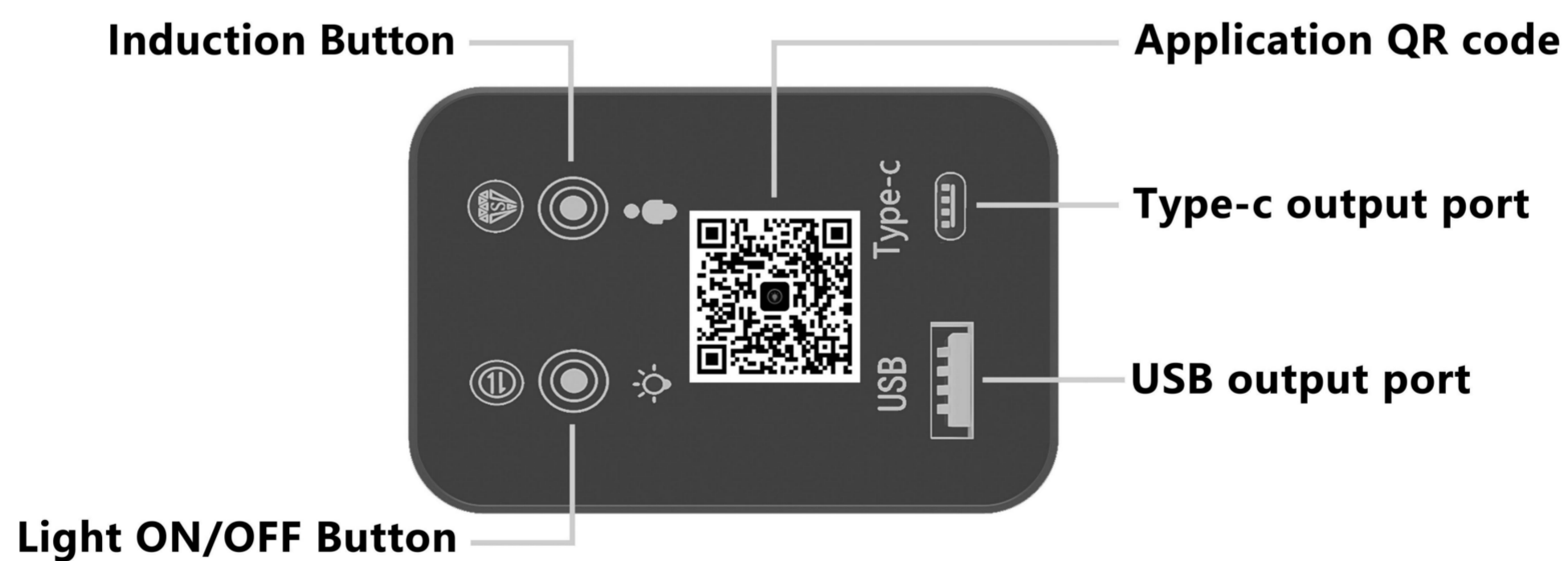
This touch button is used to switch dynamic phantom colors and turn ON/OFF the induction function.

i. Single Click: Switch to Phantom Mode, with 5 magical color transformations available.

ii. Human Body Sensing Control: Long Press (3+ seconds): Turn on The key press indicator light is on.)

Long Press (3+ seconds): Turn off (The key press indicator light is off.)

By default, the human body sensing is enabled upon initial power-on, and the indicator light is on.



⚠ ATTENTION PLEASE

1. If there is no touch response suddenly, Re-plug the power to reset the touch static electricity.

2. If you have any questions when installing, please feel free to contact us. Thank you.