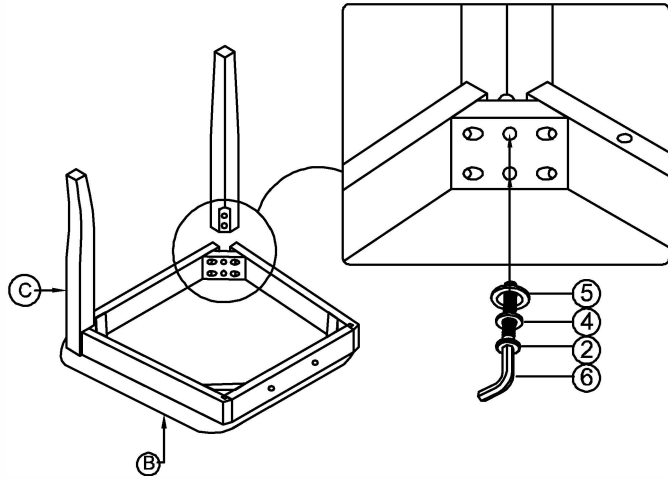
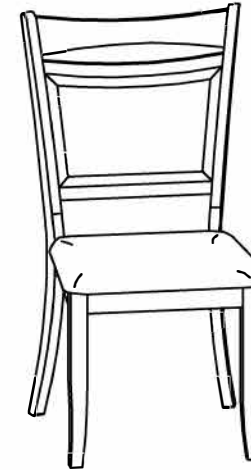


ASSEMBLY INTRUCTIONS

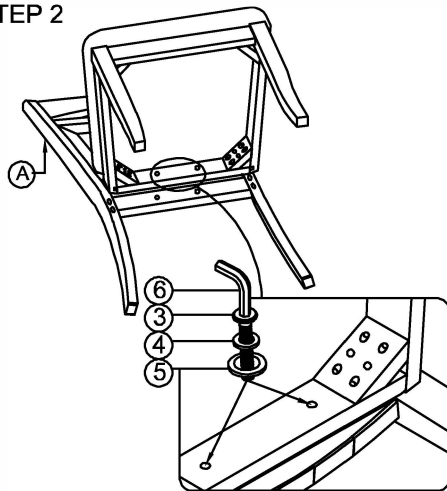
STEP 1



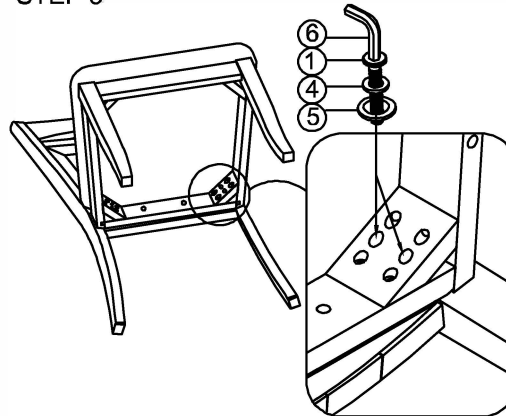
FINAL



STEP 2



STEP 3



NO.	OUTLOOK	DESCRIPTION	Q'TY
A		CHAIR BACK	1 PC
B		SEAT CUSHION	1 PC
C		FRONT LEG	2 PCS
NO.	OUTLOOK	SIZE	Q'TY
1		1/4"x75mm	4 PCS
2		1/4"x60mm	4 PCS
3		1/4"x35mm	2 PCS
4		1/4"x Ø10x2mm	10 PCS
5		1/4"x Ø16x2mm	10 PCS
6		4mm	1 PC