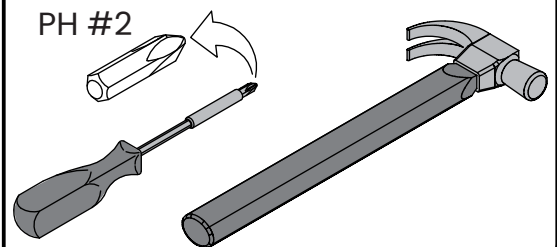
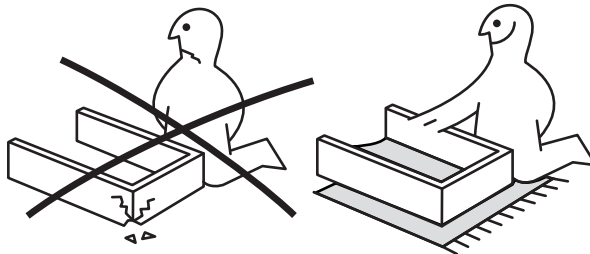
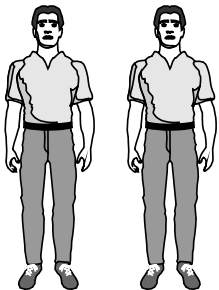
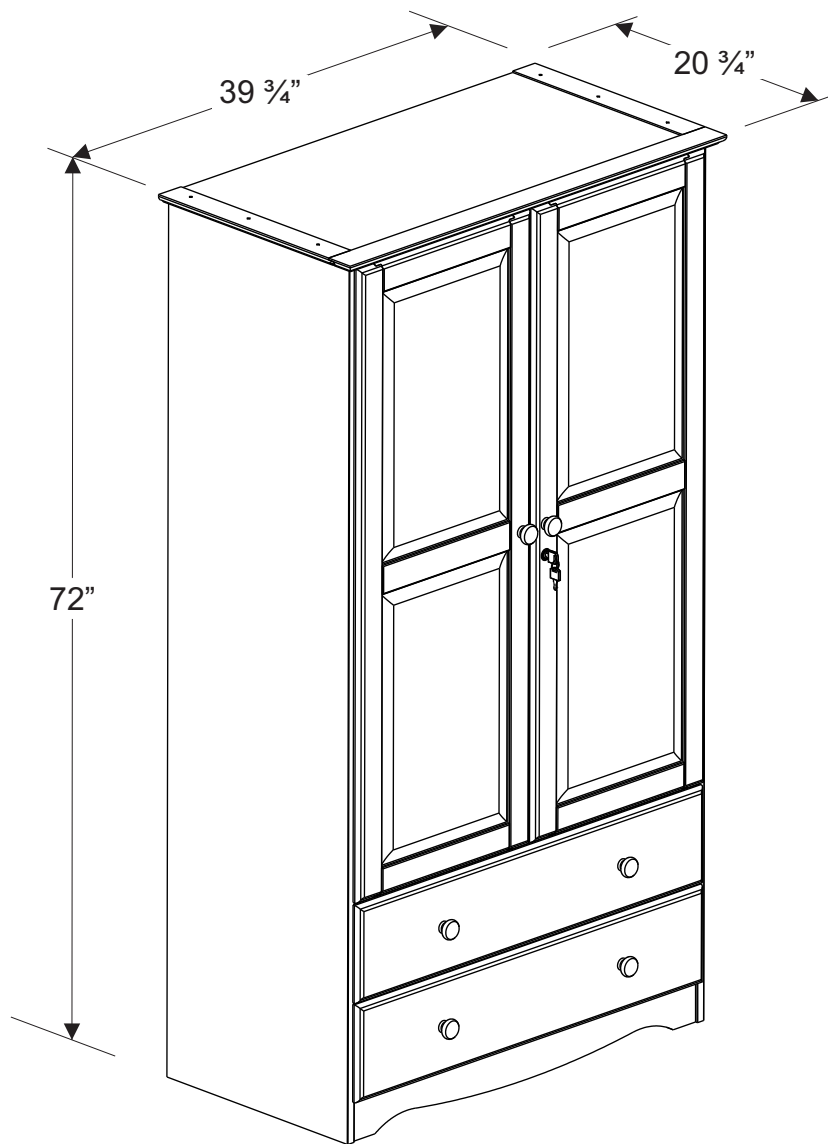


# ASSEMBLY GUIDE

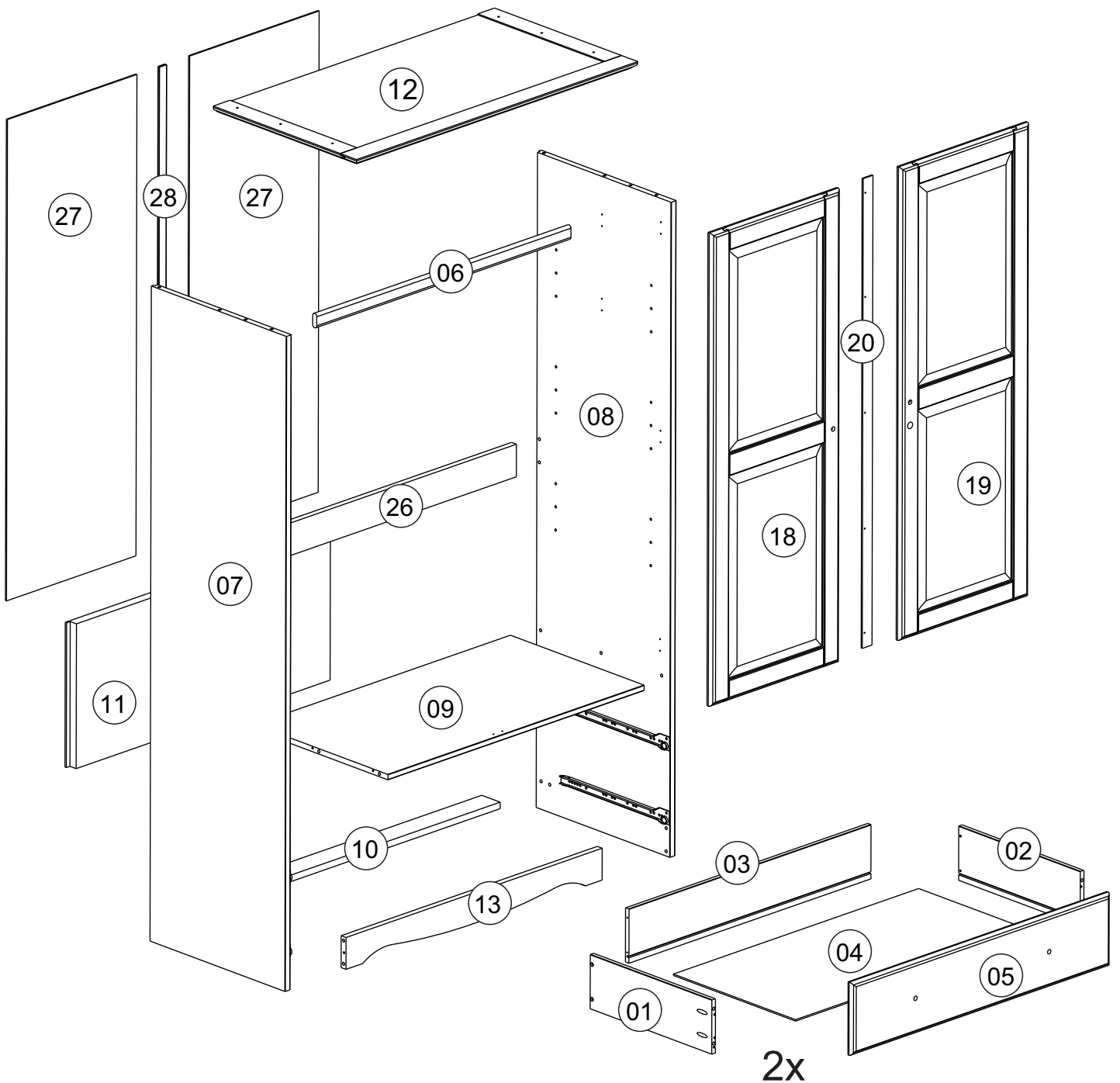
## 2-DOOR WARDROBE




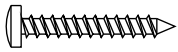
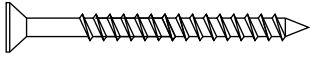
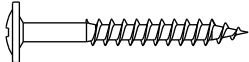

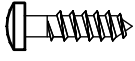
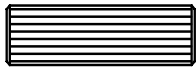
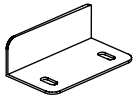
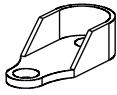
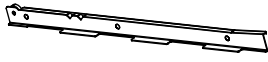
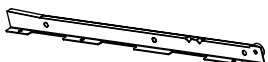
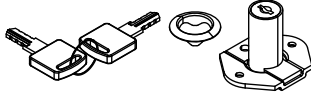
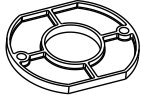
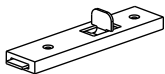
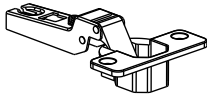
# PRE-ASSEMBLY PREPARATION


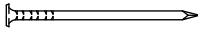
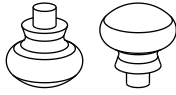
- Please check the contents before assembling. A complete parts and hardware list is provided below.
- If any parts are missing or damaged, please contact customer service
- Assemble on a flat, smooth surface on top of a blanket
- Use only low-speed power drill setting
- Assemble as near to the point of use as possible
- The hardware pack contains SMALL ITEMS which should be KEPT AWAY FROM YOUNG CHILDREN

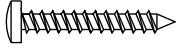
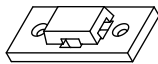

## PARTS DIAGRAM



SCREWS ARE SHOWN IN ACTUAL SIZE

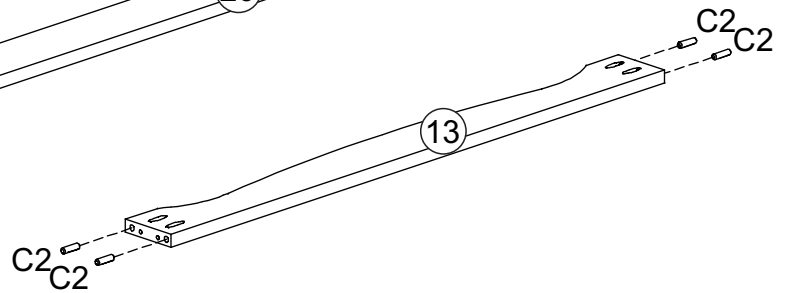
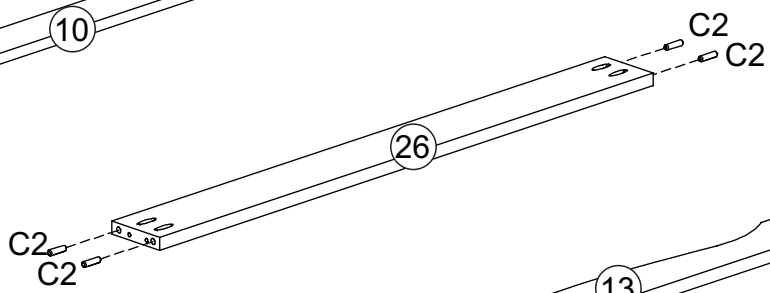
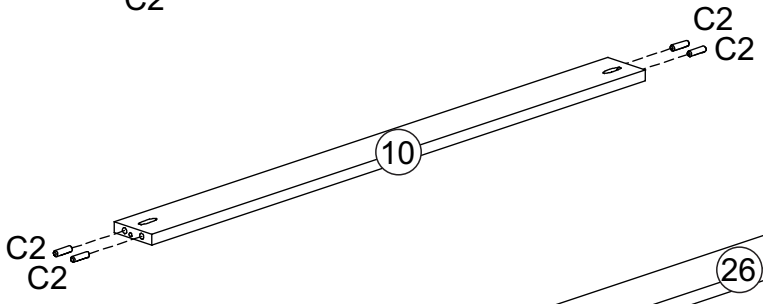
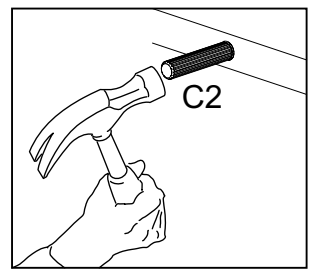
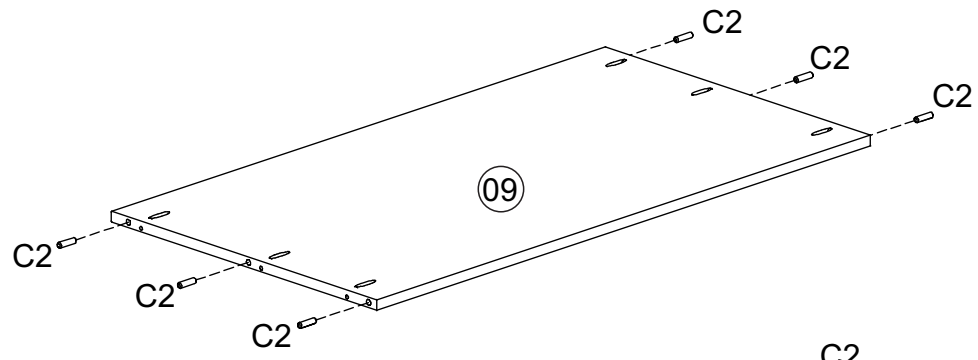
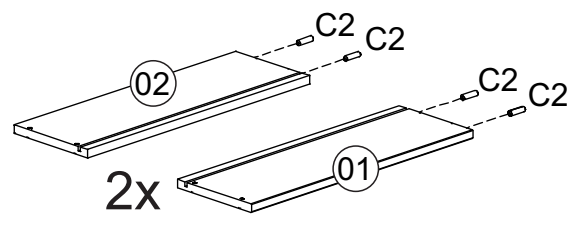
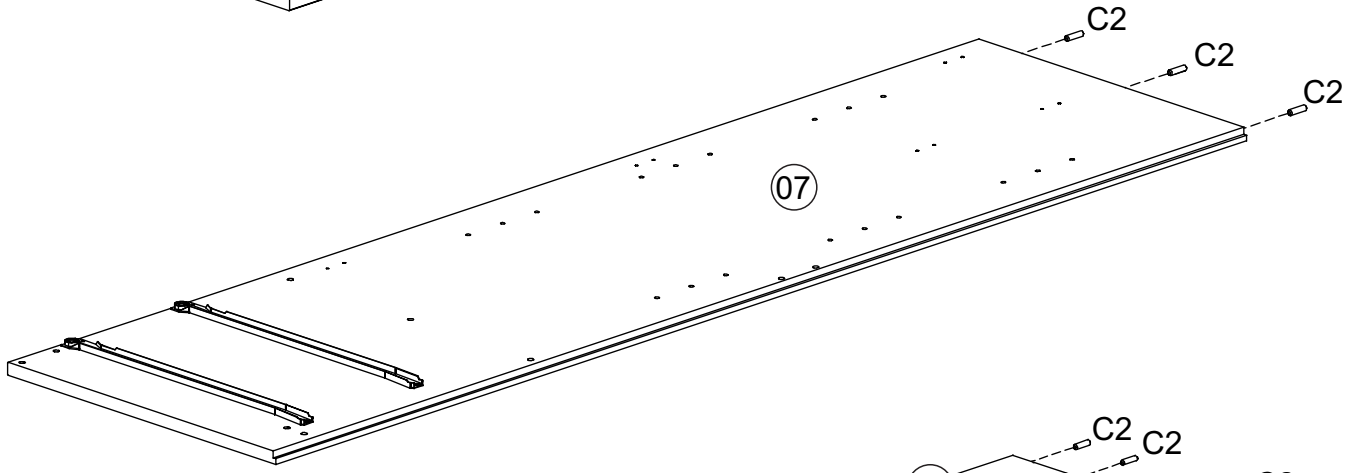
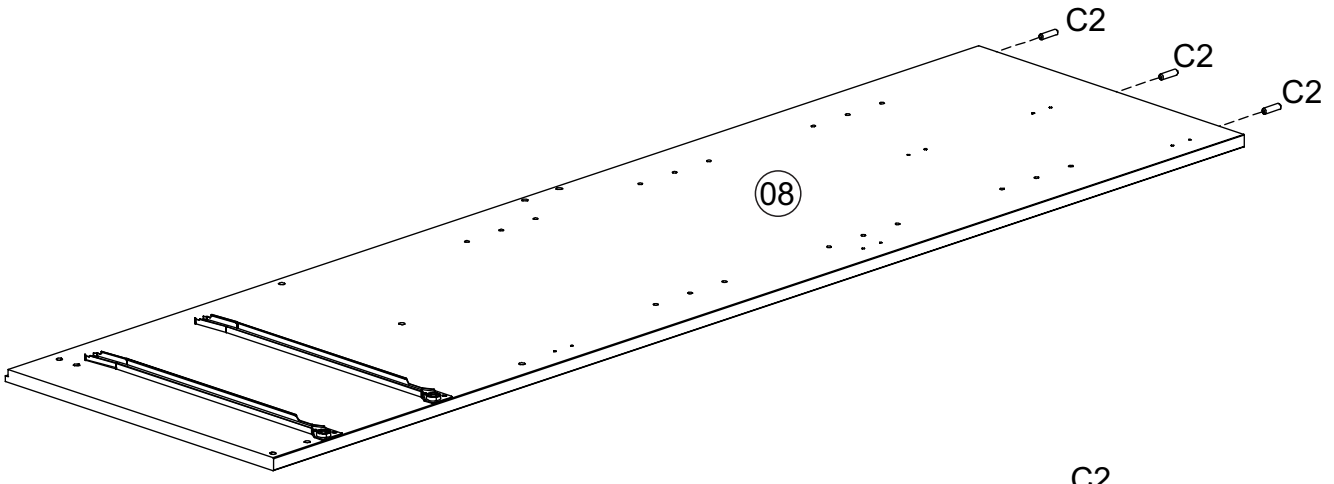
A1	 4,0x30	32+1
A8	 3,0x20	02+1
A16	 4,0x40	06+1
A41	 4,0x30	06+1
A42	 4,0x14	12+1
A44	 3,5x14	41+2
C2	 8,0x25	32+1
D3		02
D10		02
E17	 450mm - 17 3/4"	02
E18	 450mm - 17 3/4"	02
F1		01
F2		01
F3		02
F4		06


F5		06
G1	 10x10	50
H1		06

FURNITURE ANTI-TIP KIT		
A8	 3,0x20	02+1
F8		02
F9		01

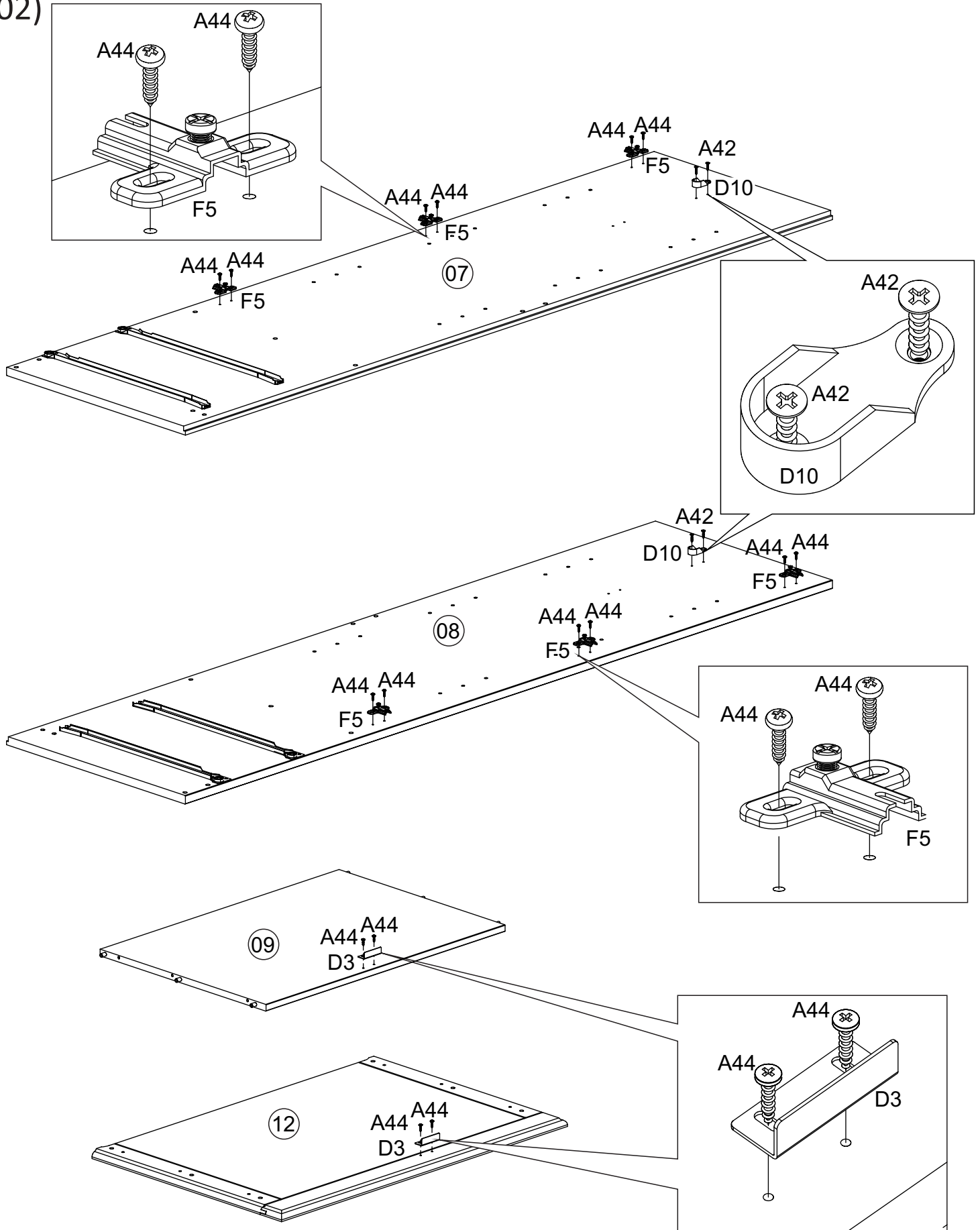
**WARNING:**  
 **CHOKING HAZARD**  
 Small Parts  
 Adult Supervision Required

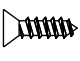
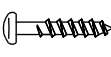
01)

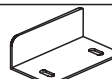




C2		32
	8,0x25	

02)

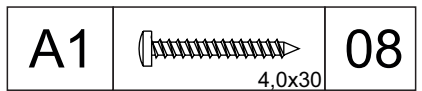
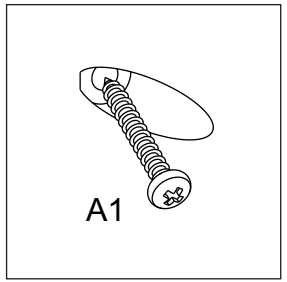
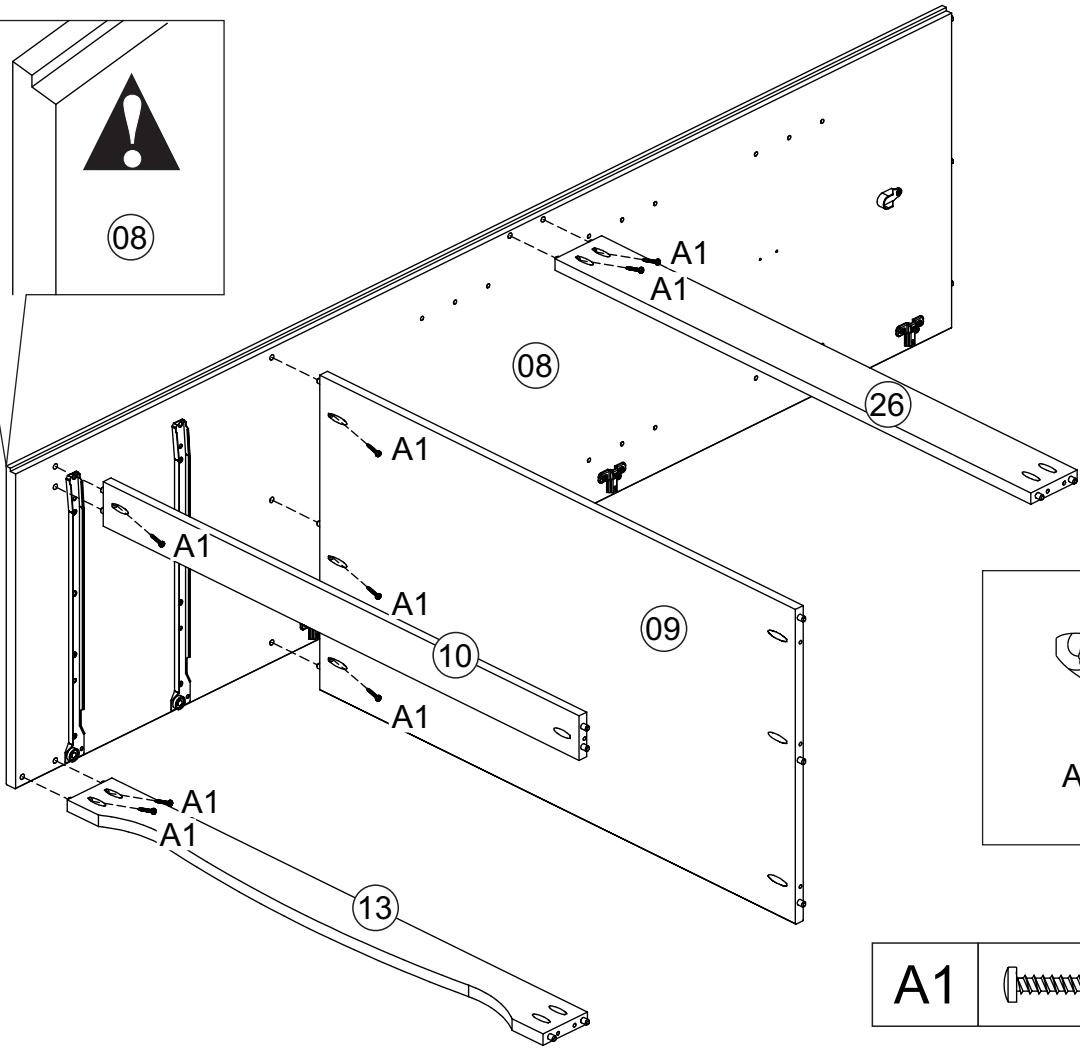
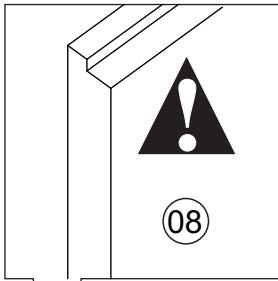


A42		04
	4.0x14	
A44		16
	3.5x14	

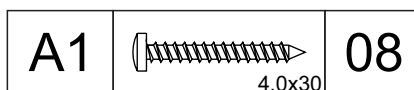
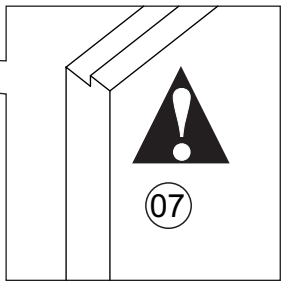
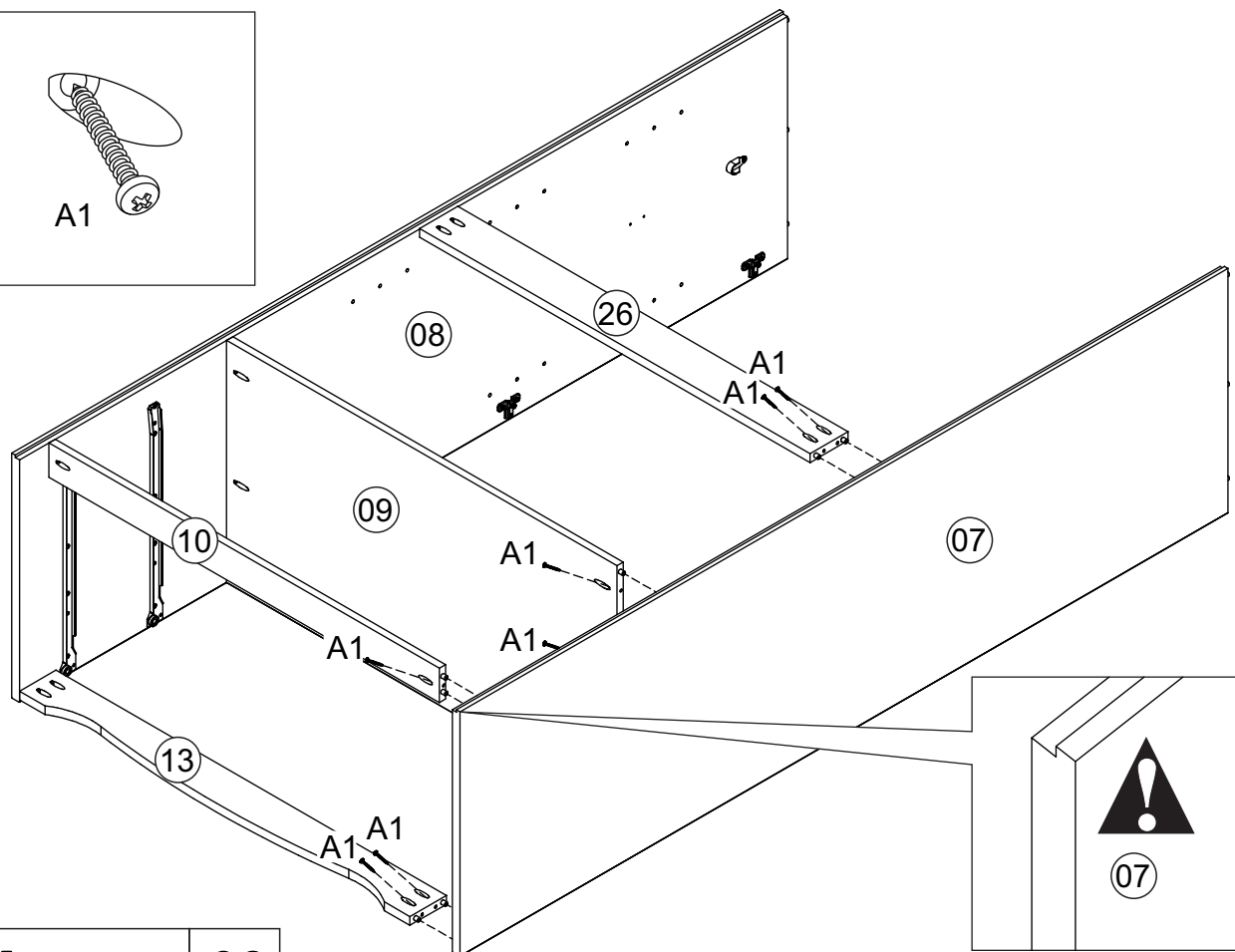
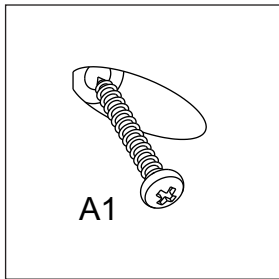
D3		02
D10		02

F5		06
----	---------------------------------------------------------------------------------------	----

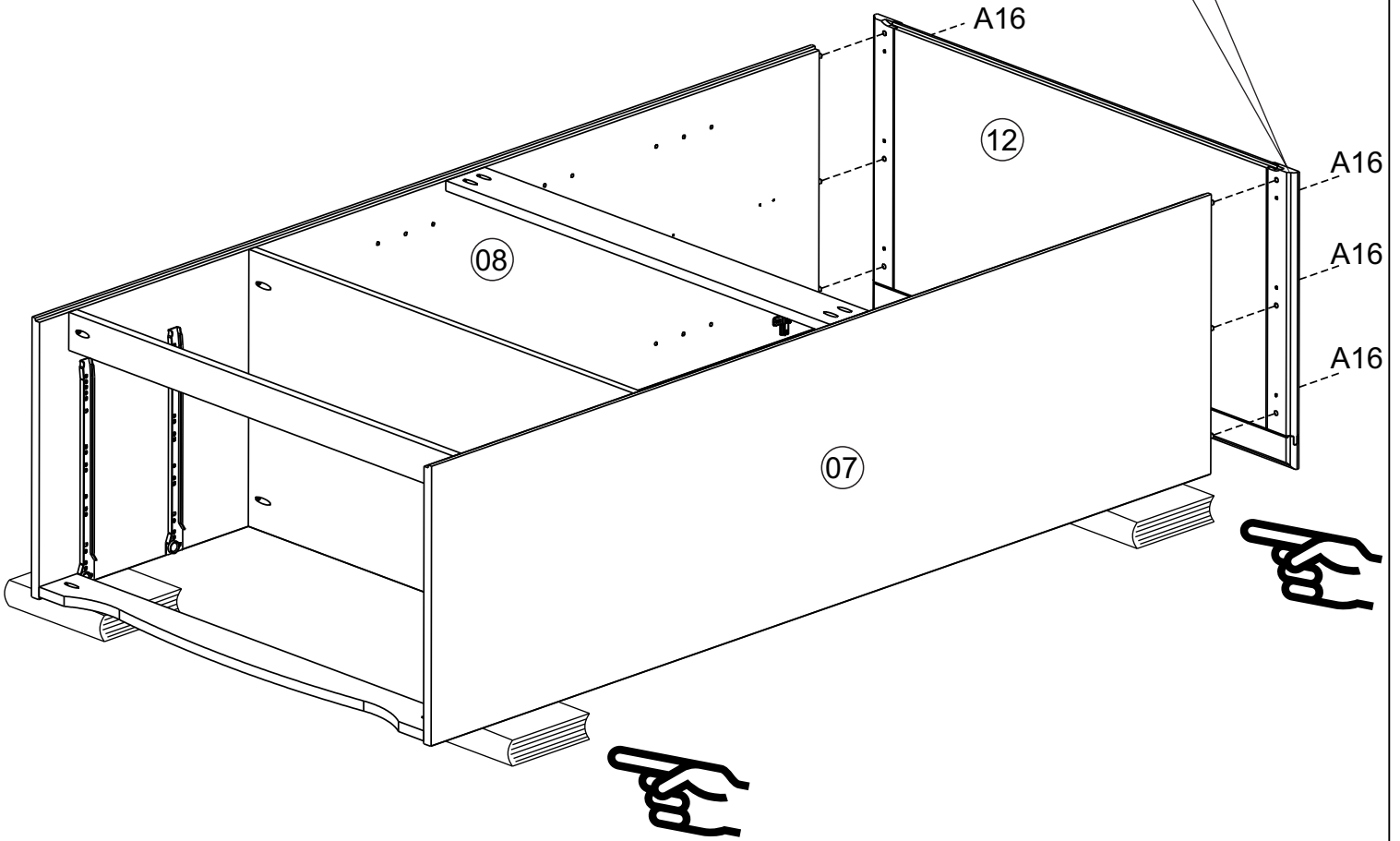
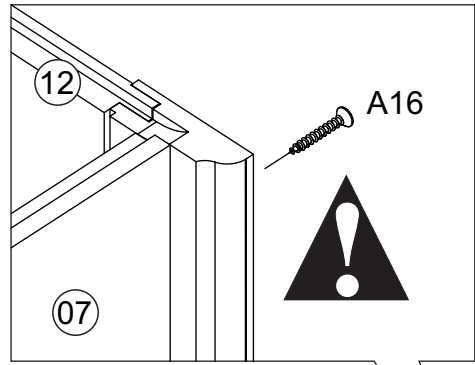
03)



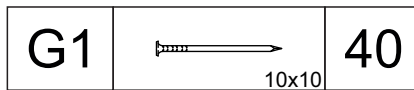
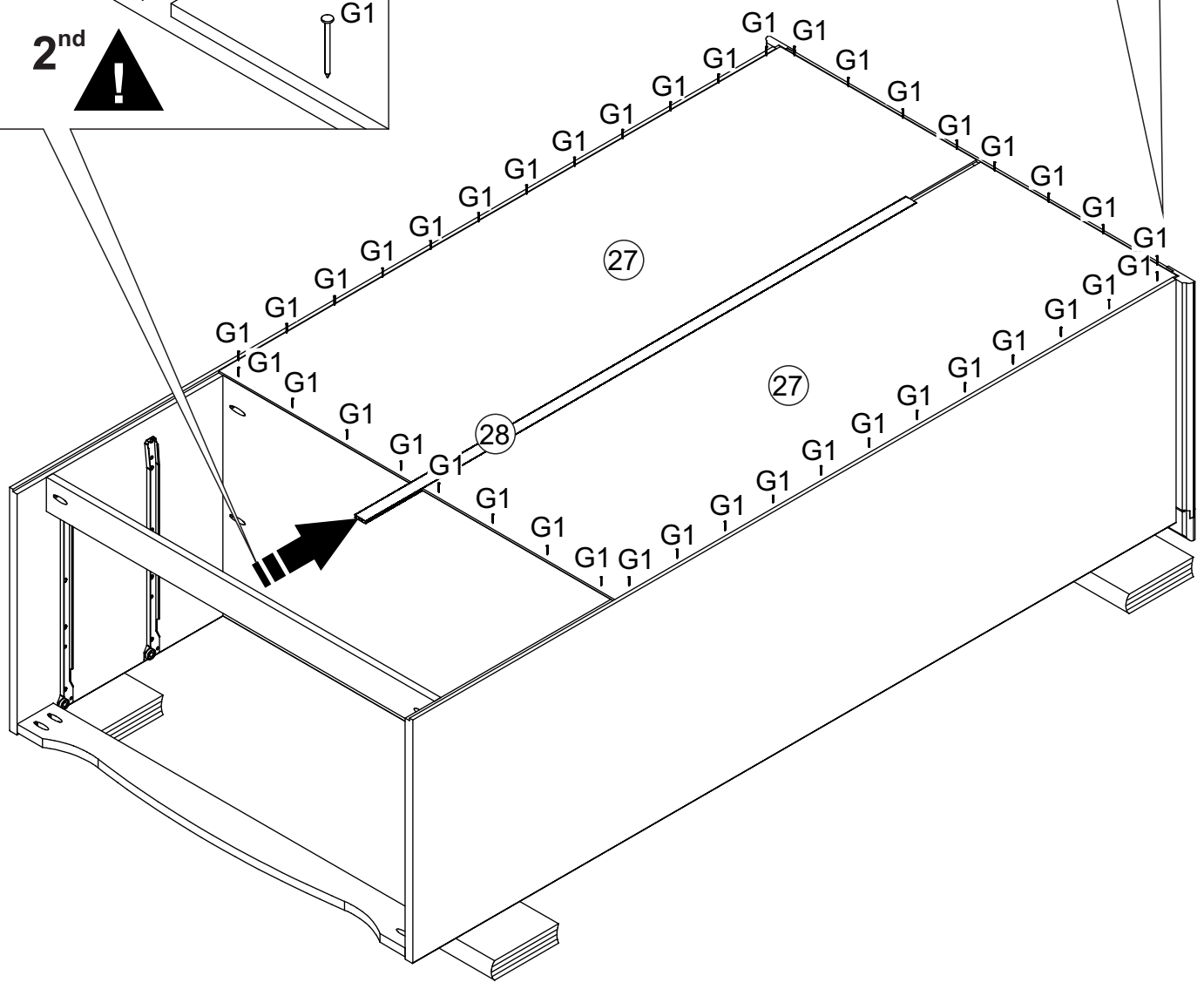
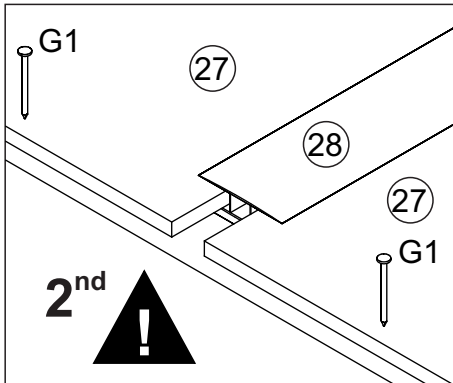
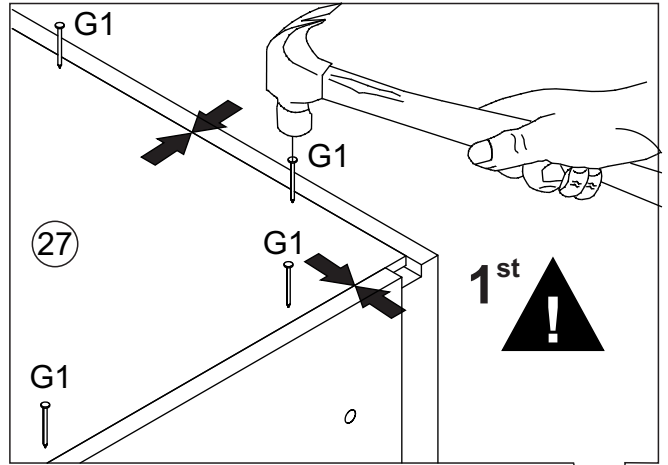
04)



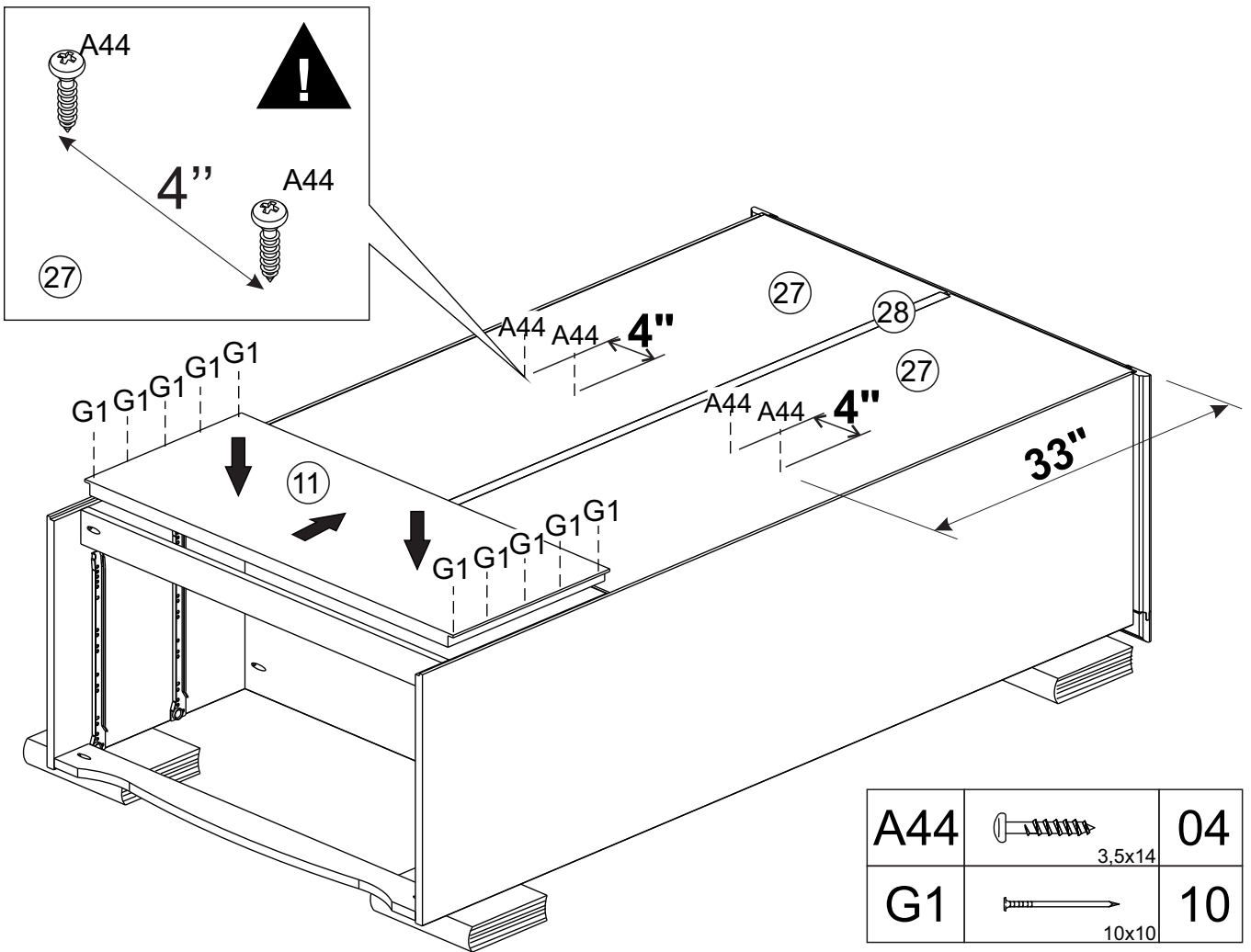
05)



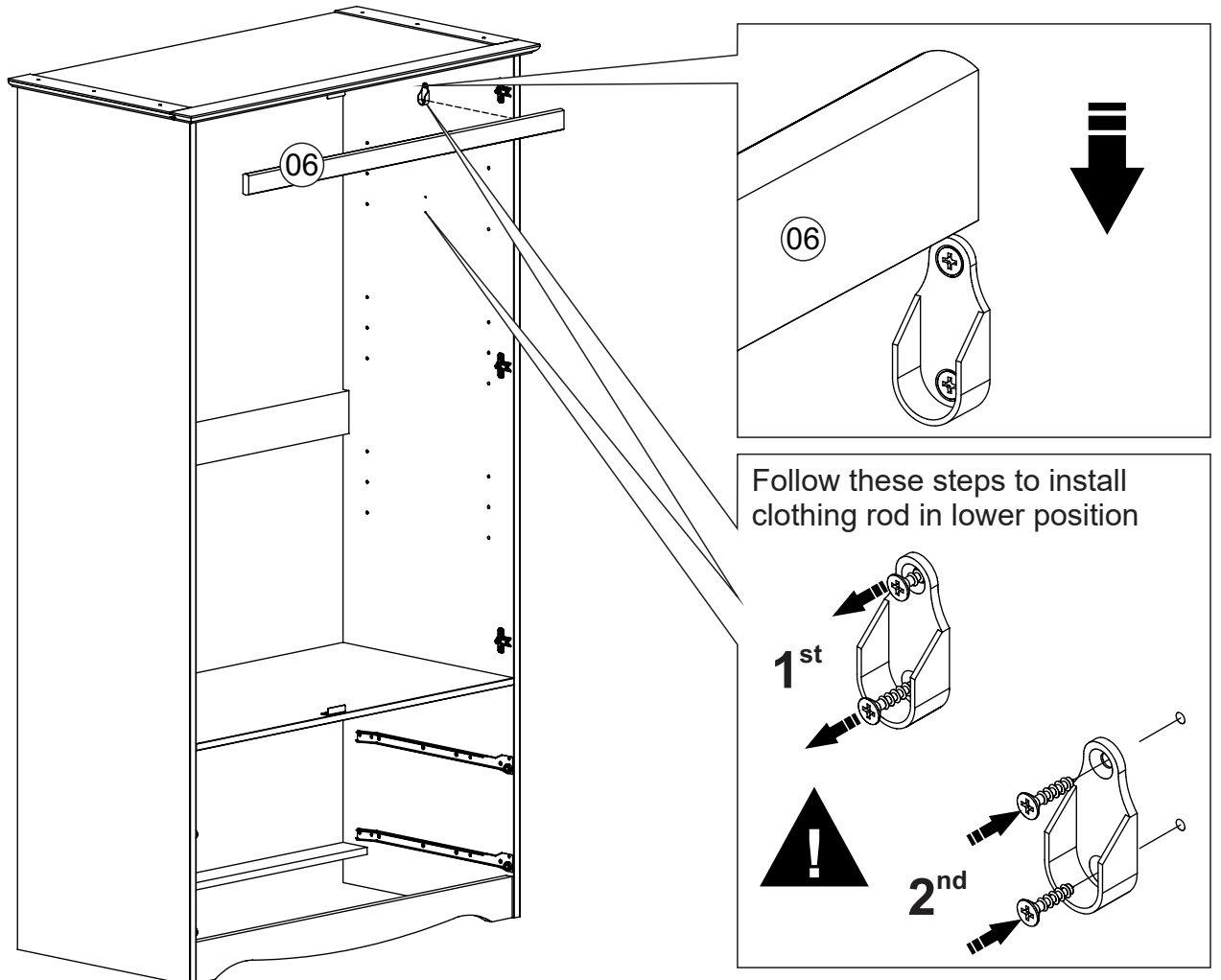
06)



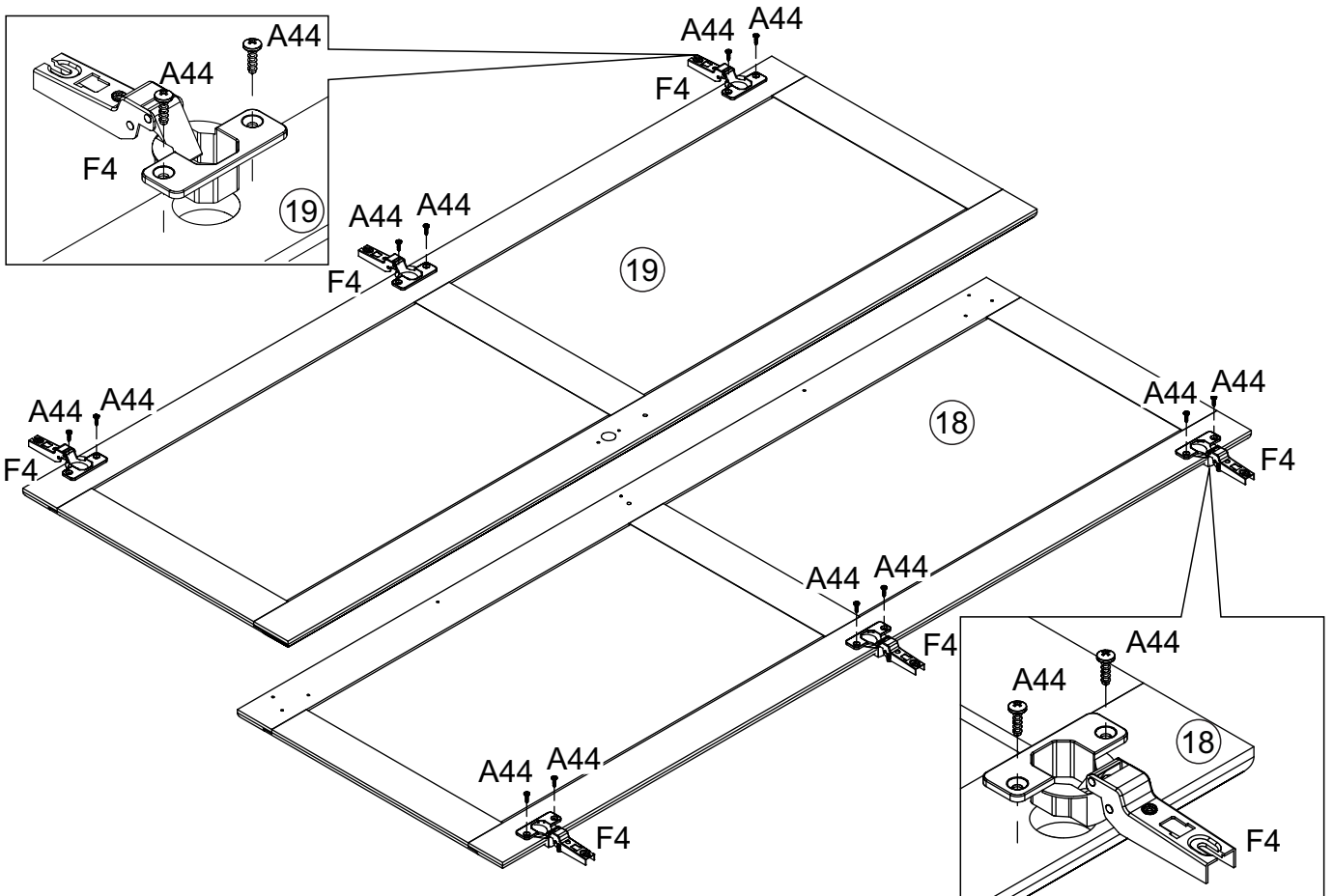
07)

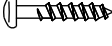



08)

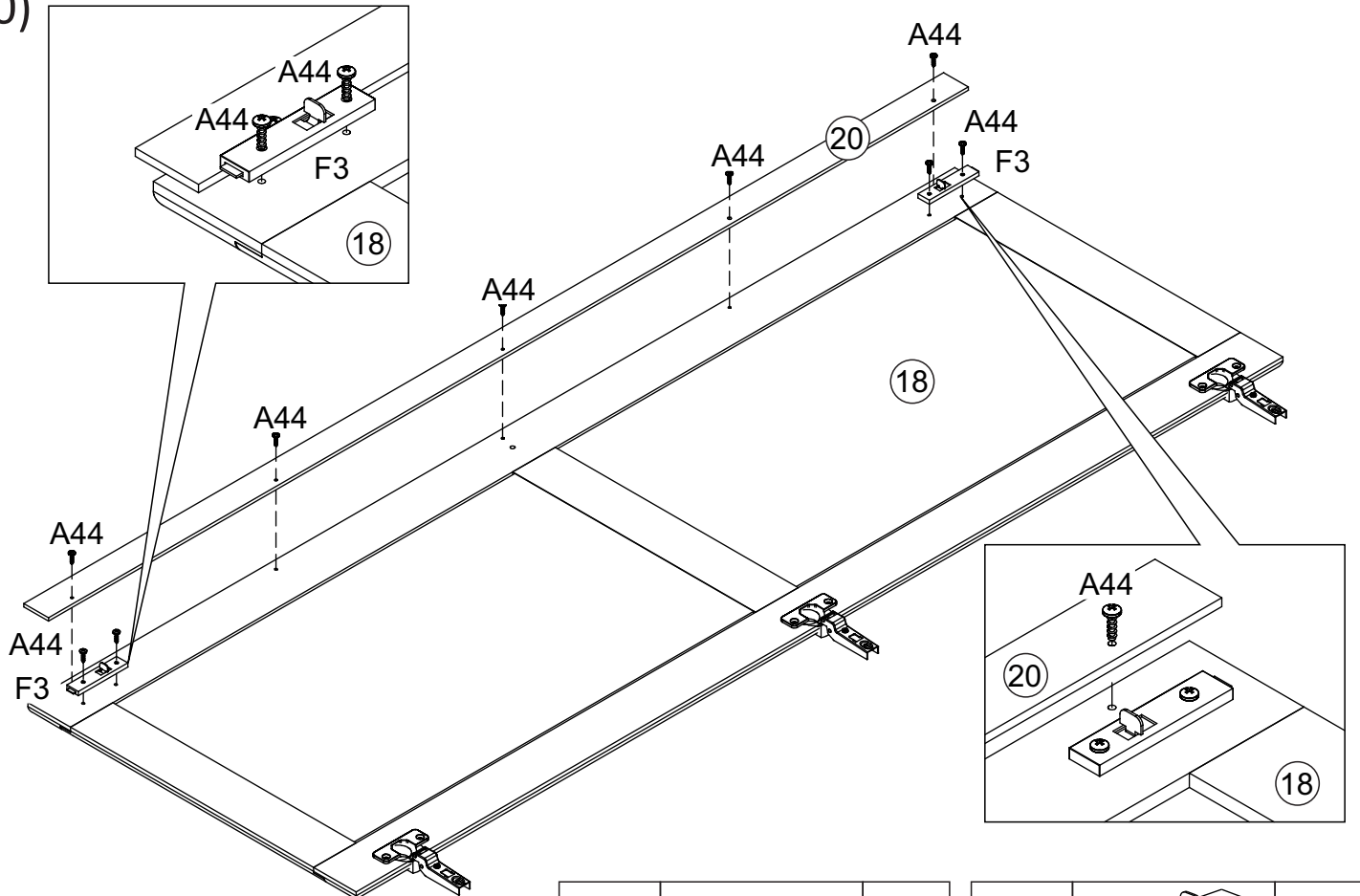


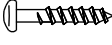

09)



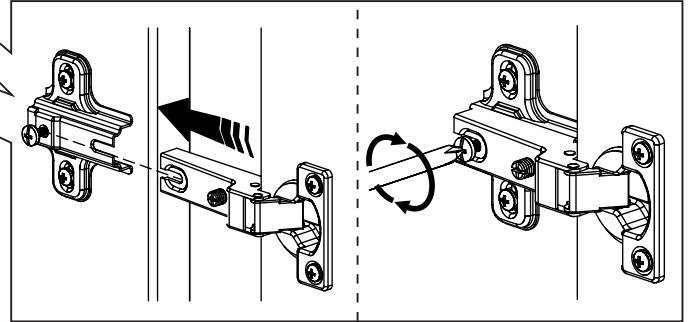
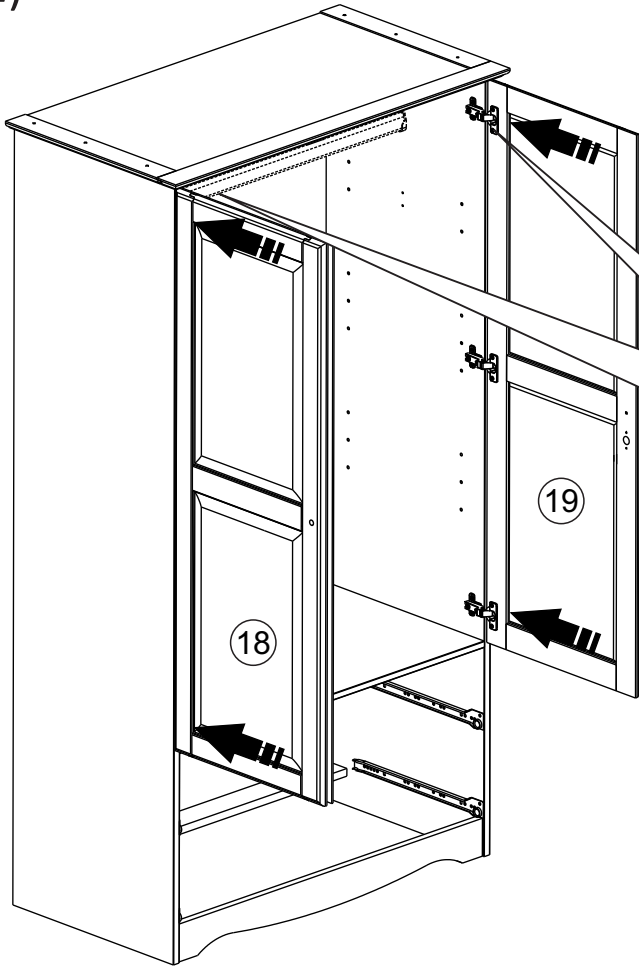
A44		12	F4		06
	3,5x14				

10)

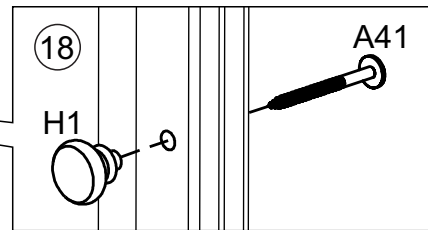
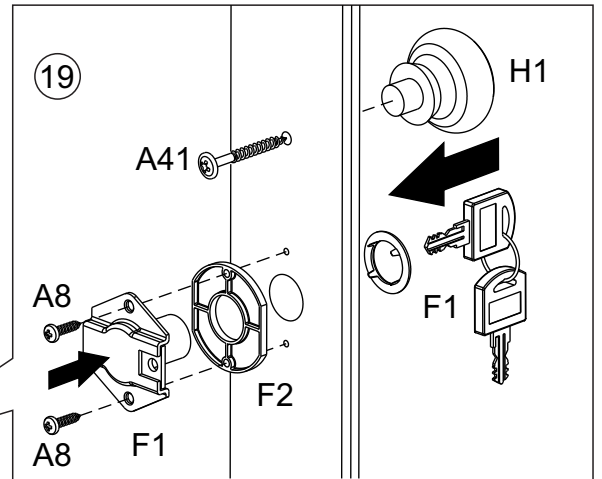
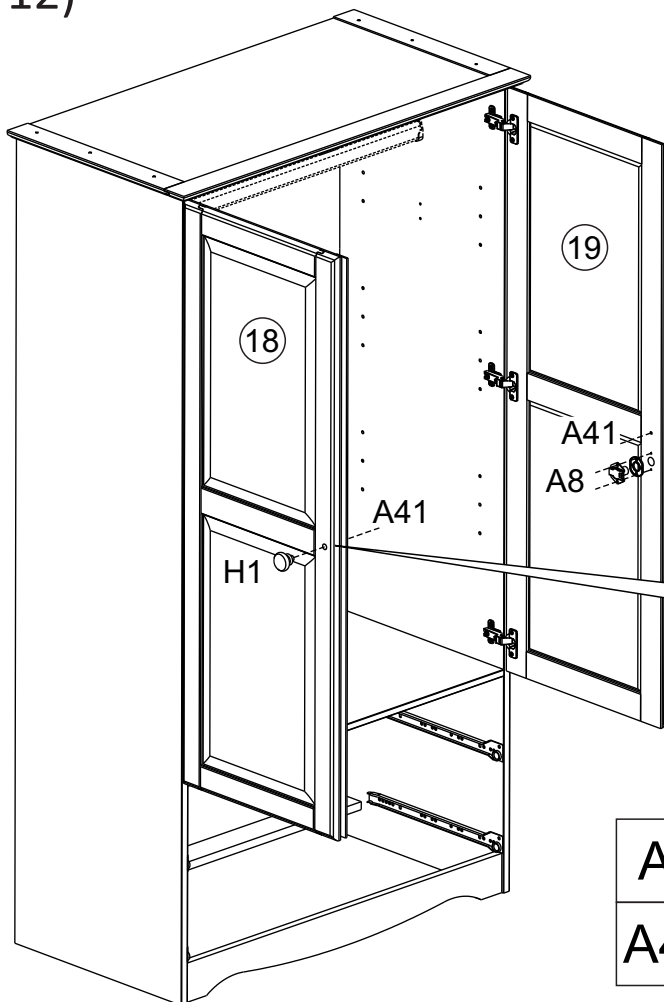


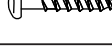
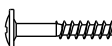
A44		09	F3		02
	3,5x14				




11)



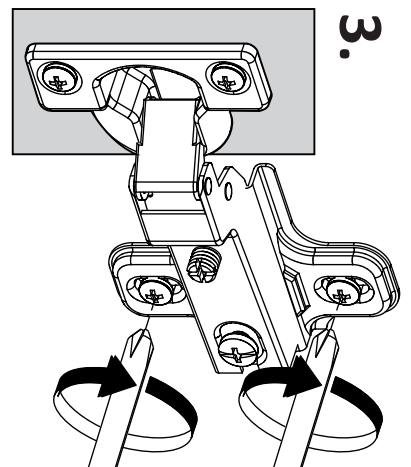
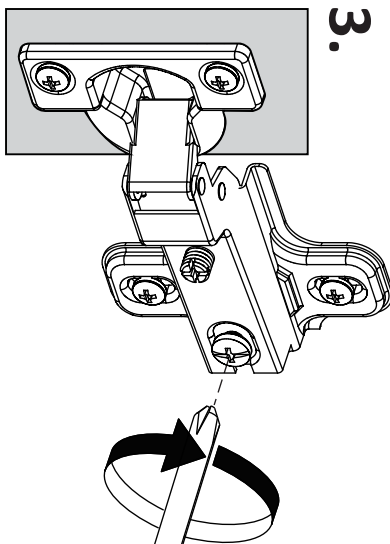
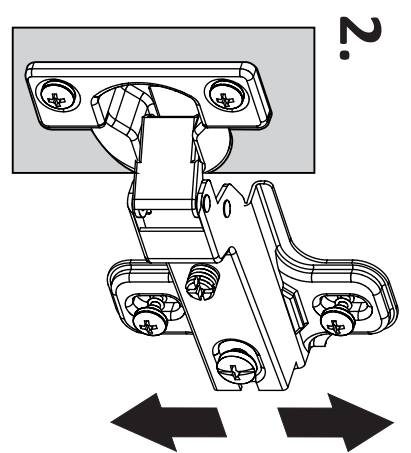
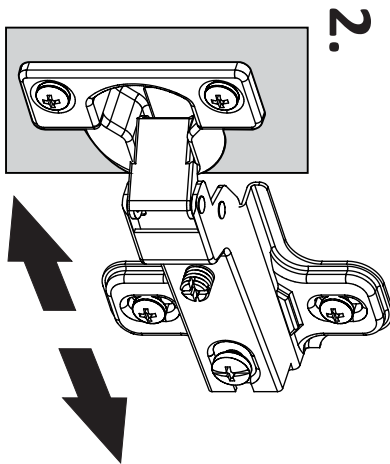
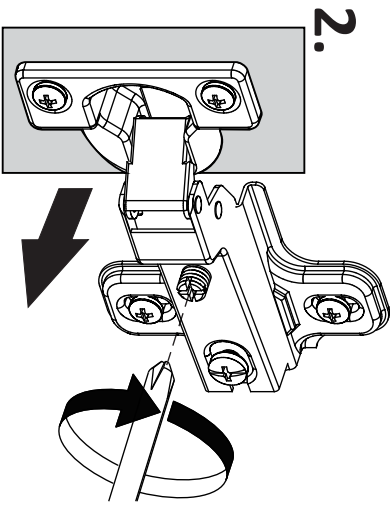
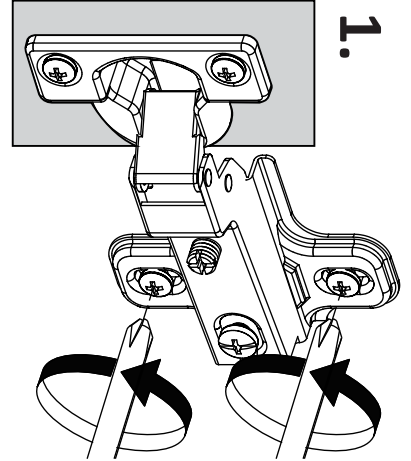
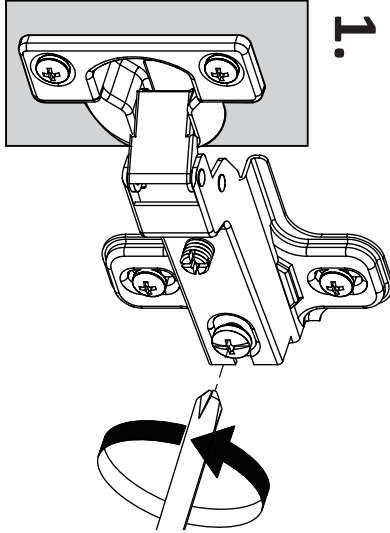
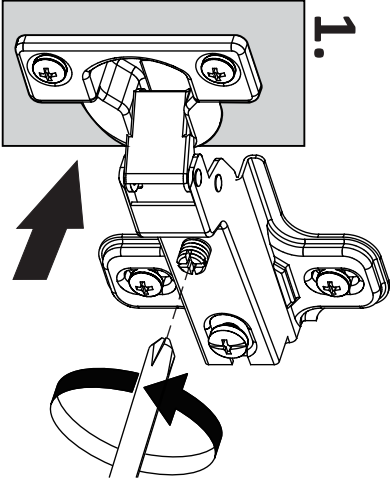
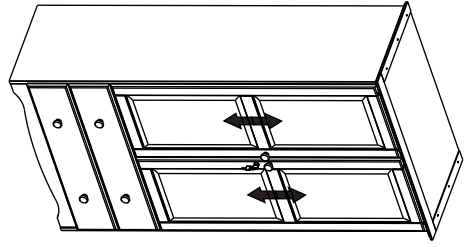
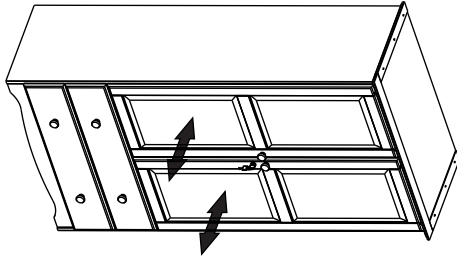
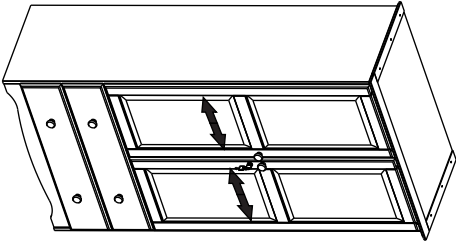
12)



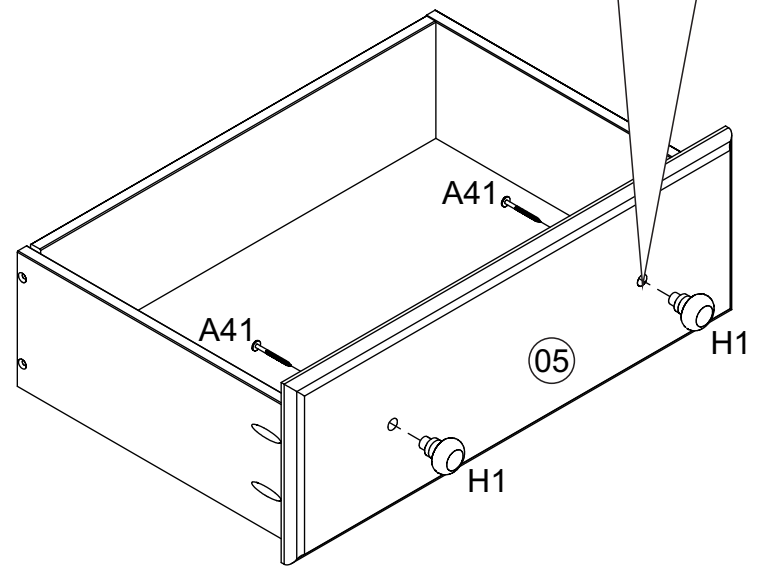
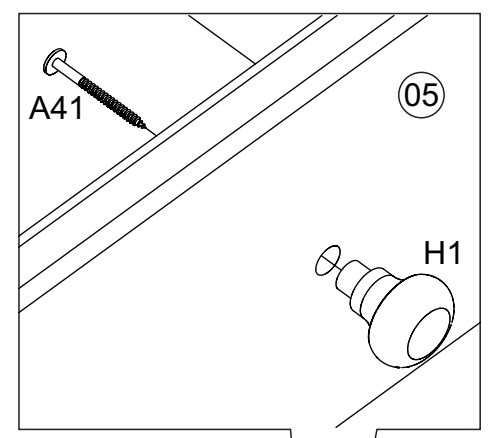
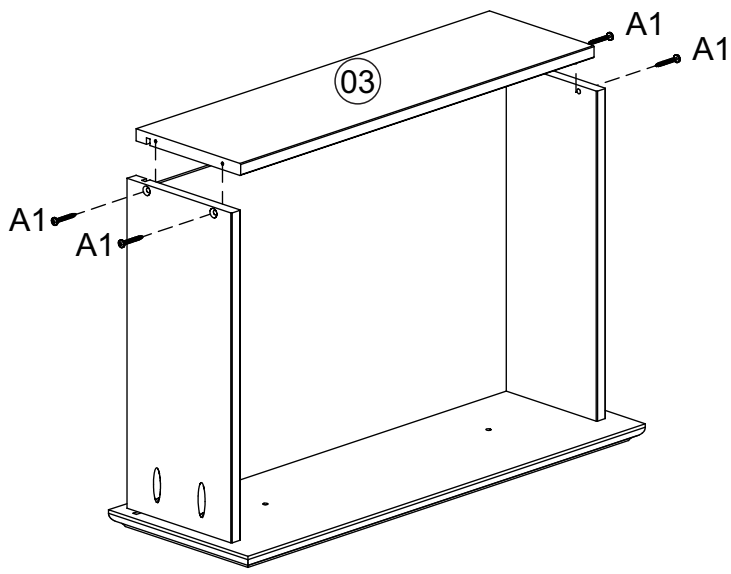
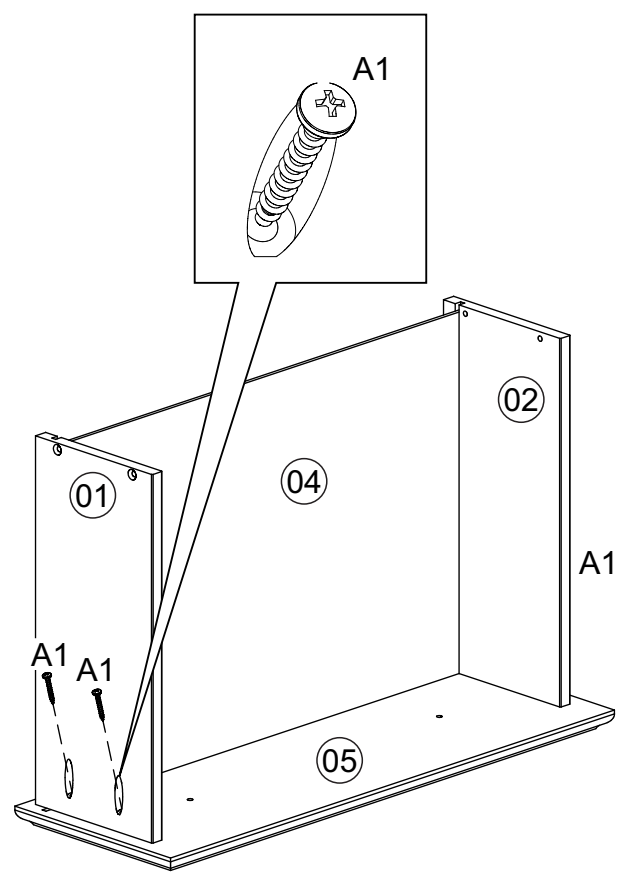
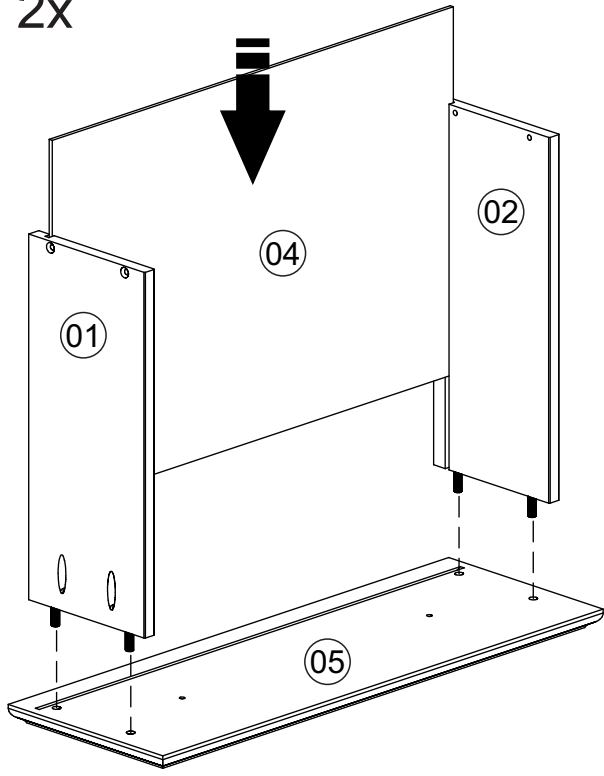
A8	 3,0x20	02
A41	 4,0x30	02


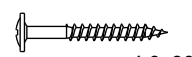

F1		01
F2		01
H1		02

13)

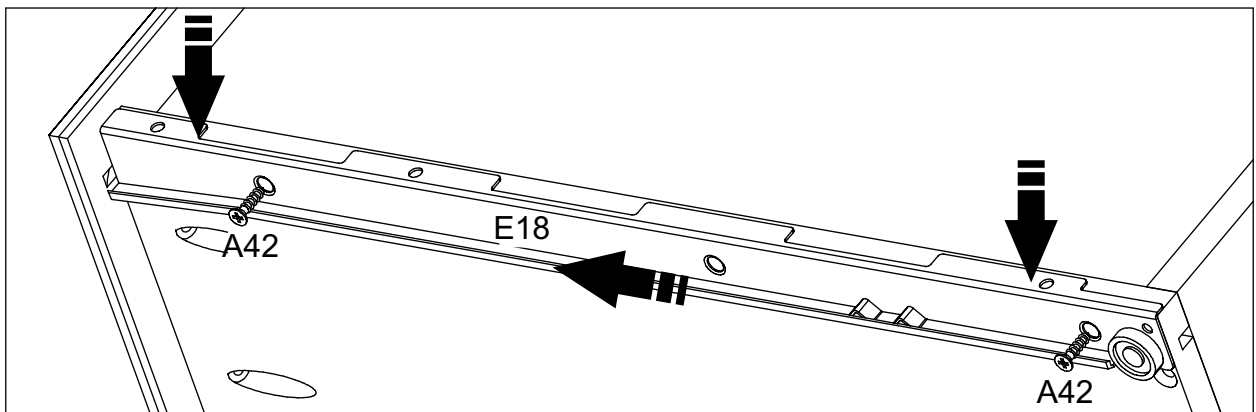
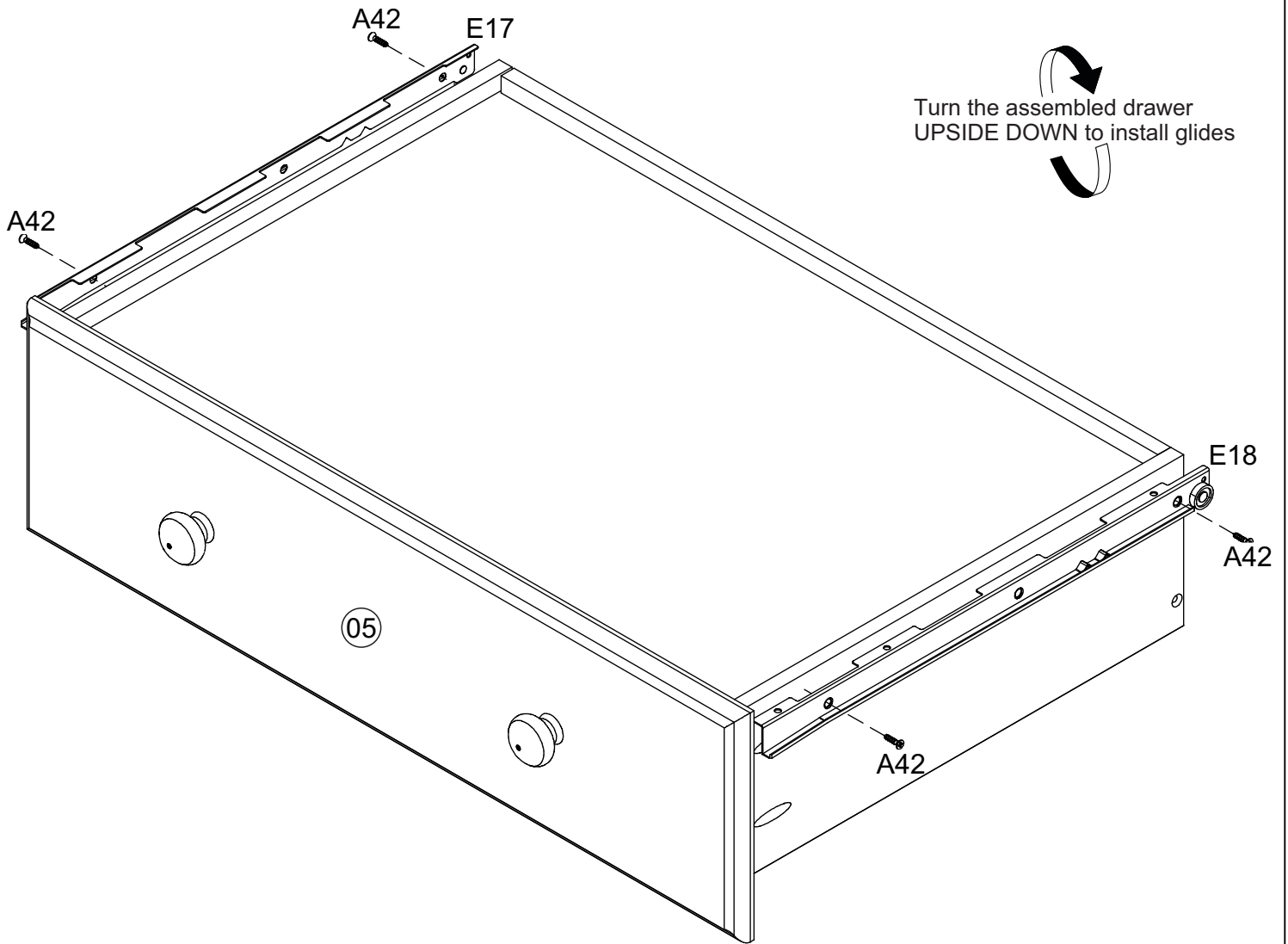
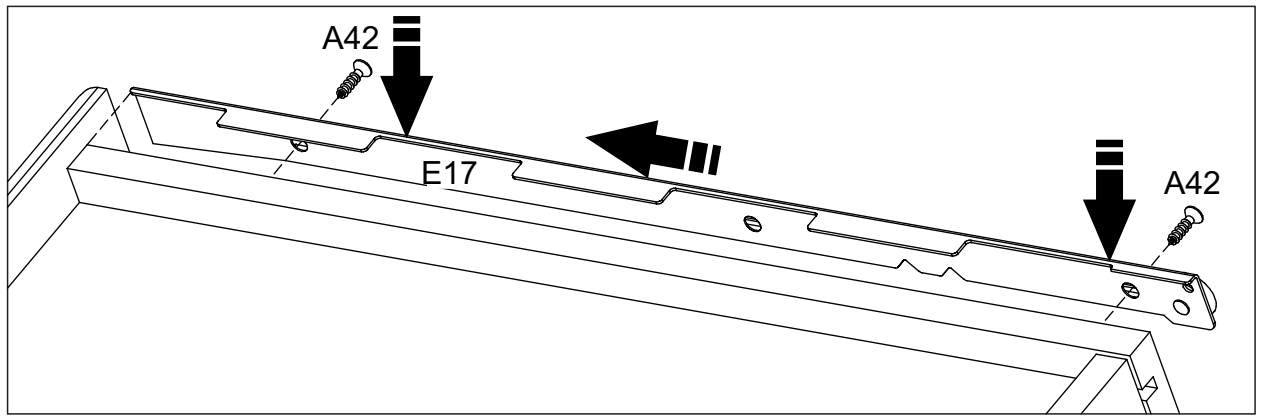



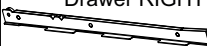
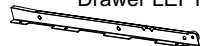
14) 2x



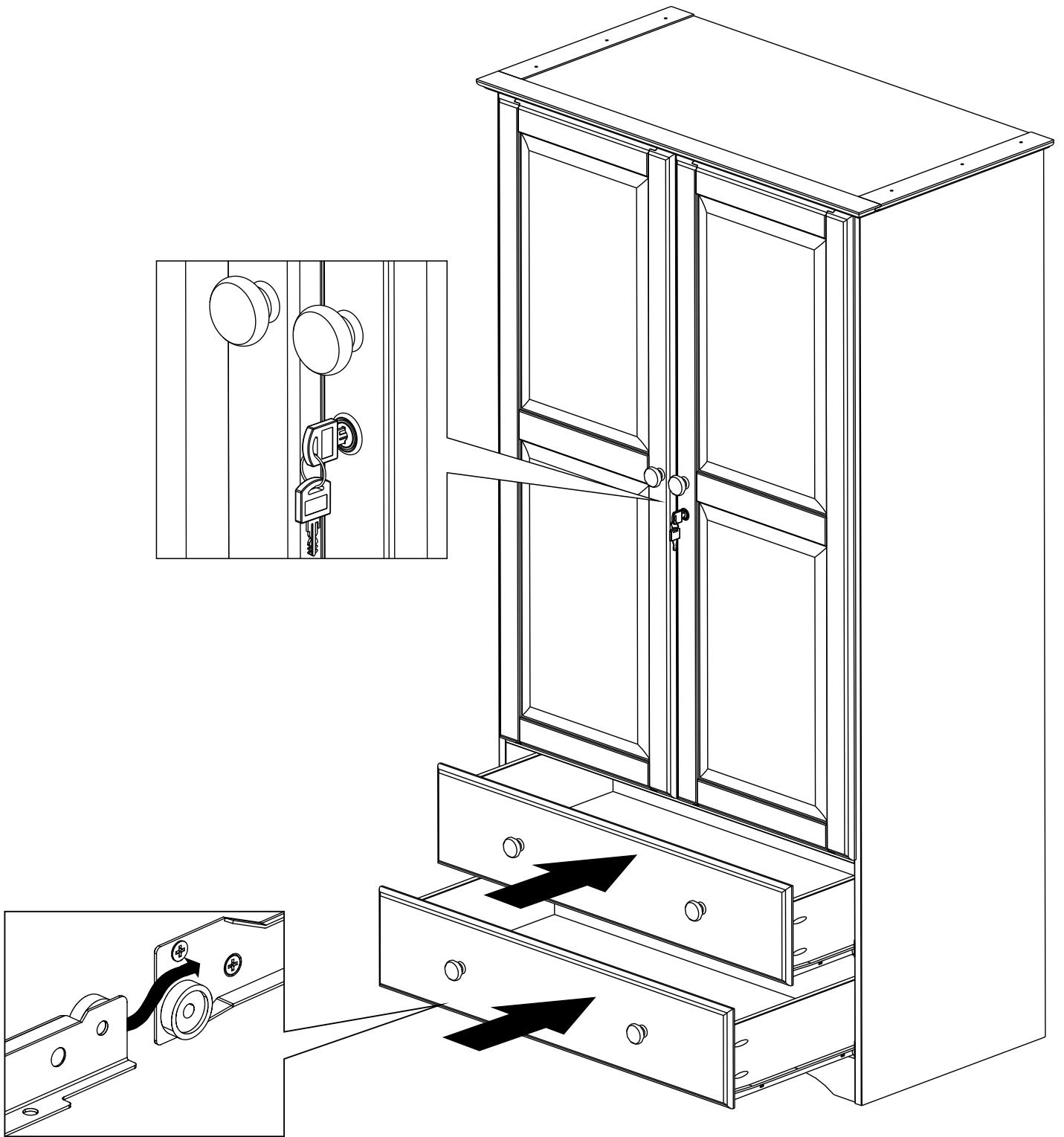
A1	 4.0x30	16
A41	 4.0x30	04
H1		04

15) 2x

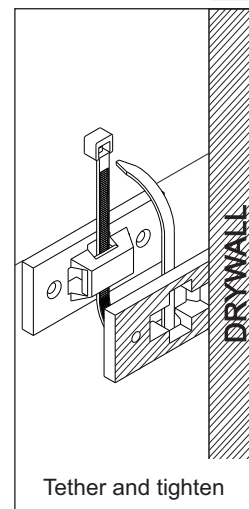
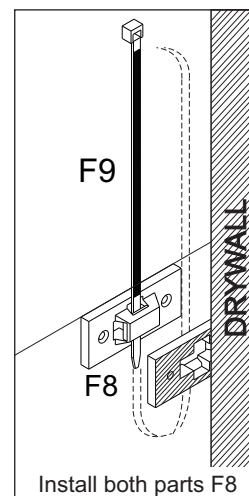
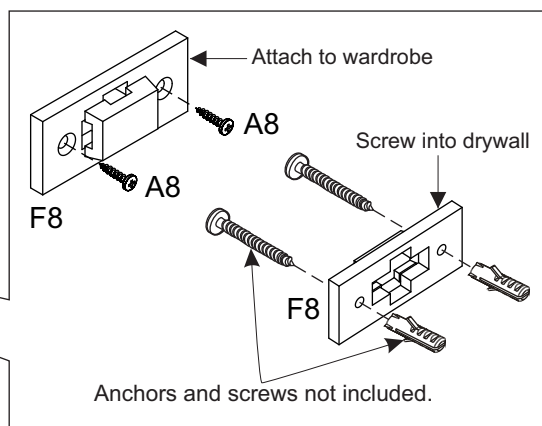
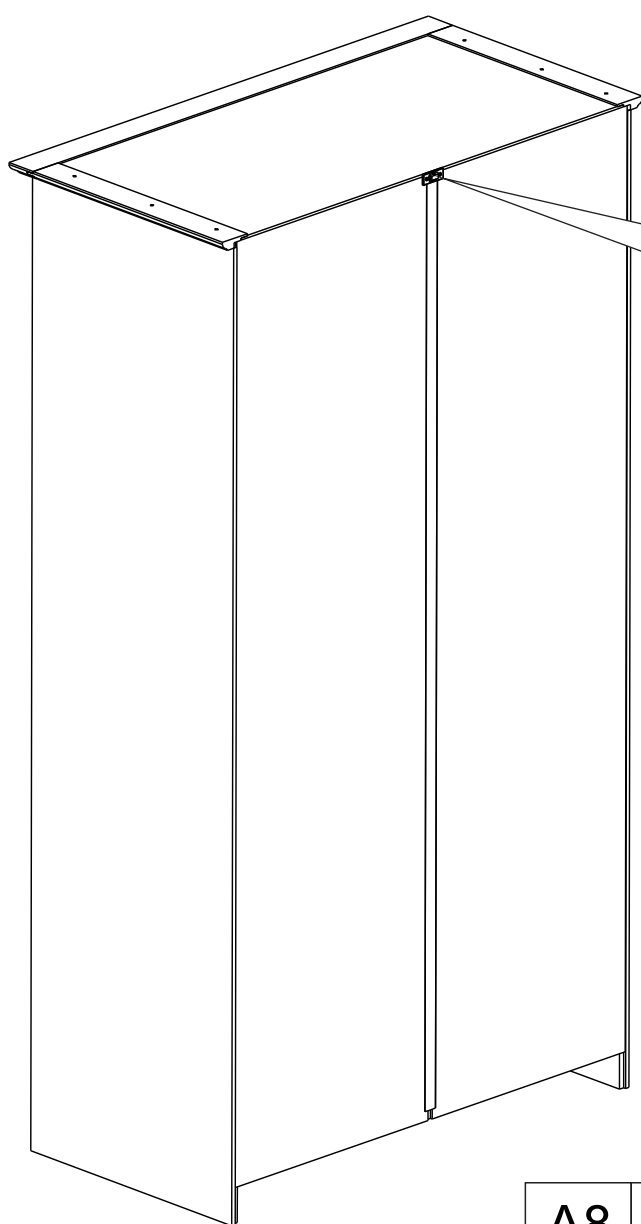
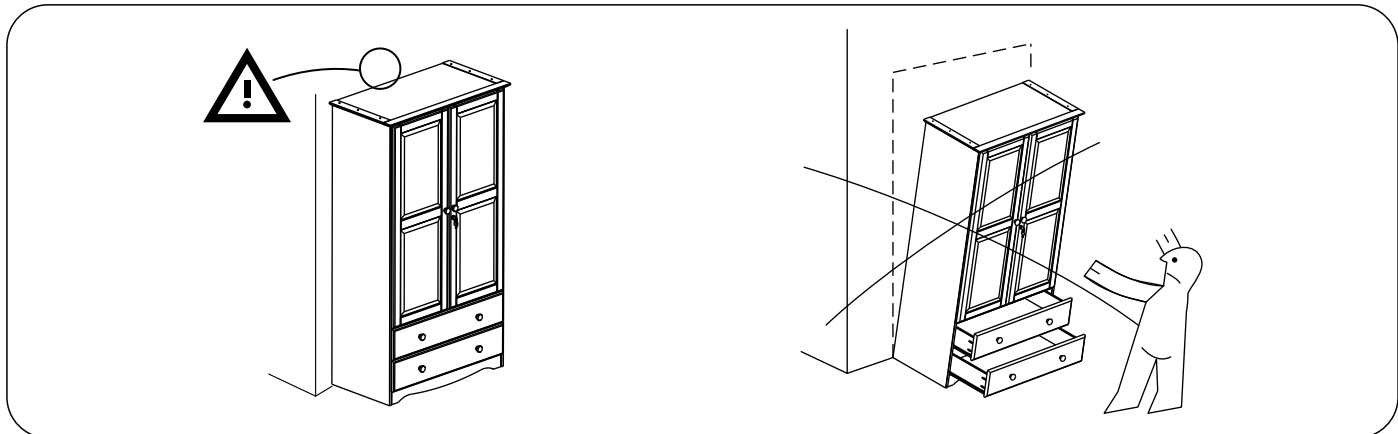



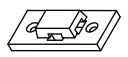

A42	 4,0x14	08	E17	 Drawer RIGHT 450mm - 17 3/4"	02	E18	 Drawer LEFT 450mm - 17 3/4"	02
-----	-----------------------------------------------------------------------------------------------	----	-----	------------------------------------------------------------------------------------------------------------------------	----	-----	-------------------------------------------------------------------------------------------------------------------------	----

16)



# 17) FURNITURE TIPOVER PREVENTION KIT INSTALLATION



A8	 3.0x20	02
F8		02
F9		01