

ASSEMBLY INSTRUCTION

1910-02 Twin Triple Bunk Bed With trundle

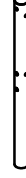
PART LIST:



A:Post
2 PCS



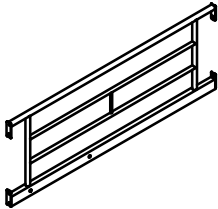
B:Post
2 PCS



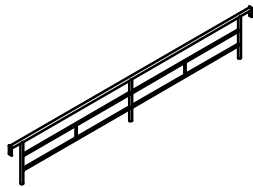
C:Post
2 PCS



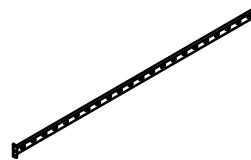
D:Post
2 PCS



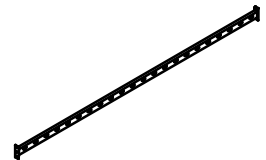
F:End Guard Rail
4PCS



G: Guard Rail
2PCS



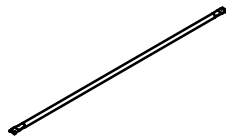
H:Side Rail
2PCS



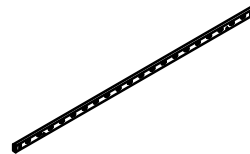
J:Side Rail
2PCS



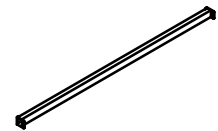
K: Post Connector
4PCS



O: Slat
64PCS



E:Side Rail
2PCS



M:End Rail
2PCS



N1:Locking Caster
2PCS



N:Caster
2PCS



Z:Ladder
2PCS

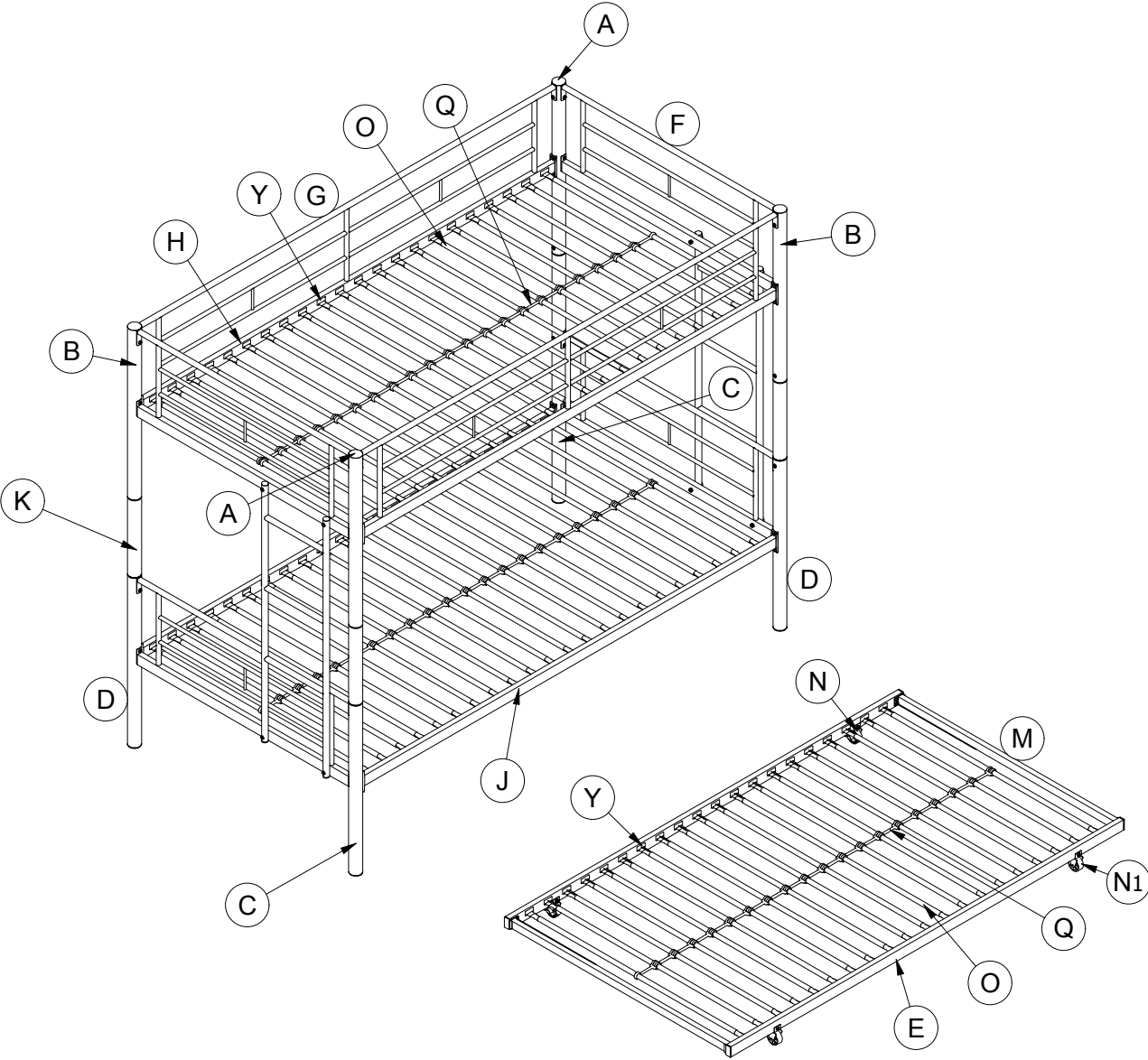


Q:Spacer
61PCS

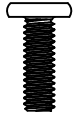


Y:Plug
128PCS

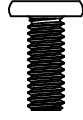
PARTS LIST



HARDWARE LIST-BUNK BED-T1910-01



1: Bolt 1/4*19mm
X 28pcs



2: Bolt 5/16*19mm
X 16pcs



3: Bolt 1/4*60mm
X 6pcs



4: Bolt 1/4*51mm
X 8pcs



5: Nut 1/4
X 8pcs

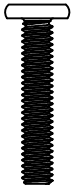


6: L-Allen Key
X 1pc

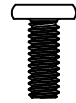


7: Wrench
X 1pc

HARDWARE LIST-TRUNDLE-T1910-02



1: Bolt 1/4*33mm
X 4pcs



2: Bolt 1/4*16mm
X 8pcs



3: Nut 1/4
X 4pcs



4: L-Allen Key
X 1pc

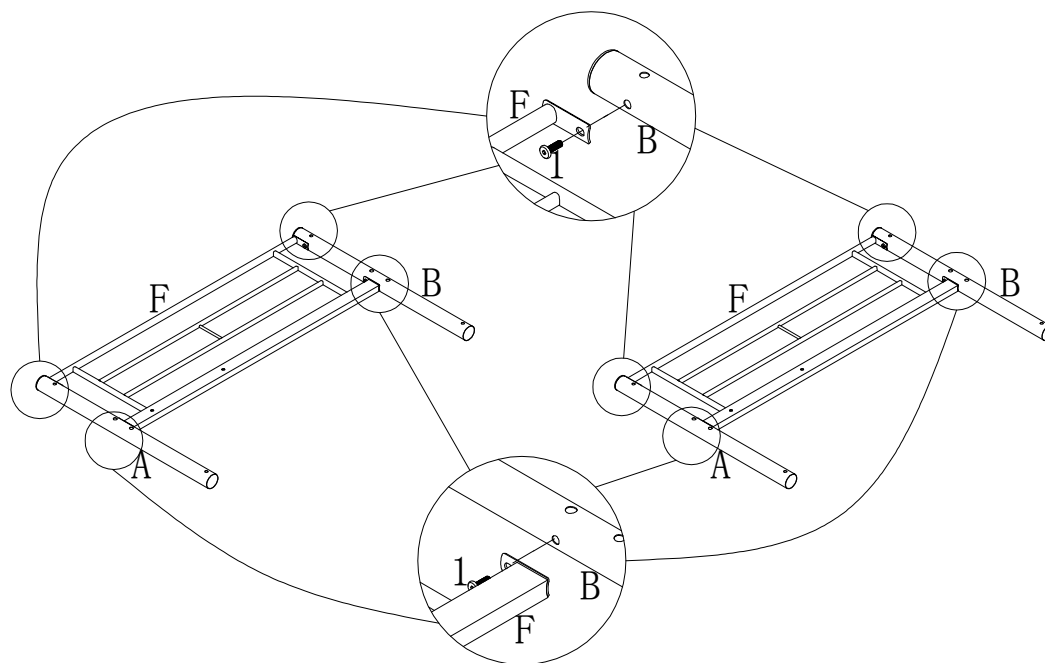


5: Wrench
X 1pc

Note: Please do not tighten all bolts until the bed is assembled completely.

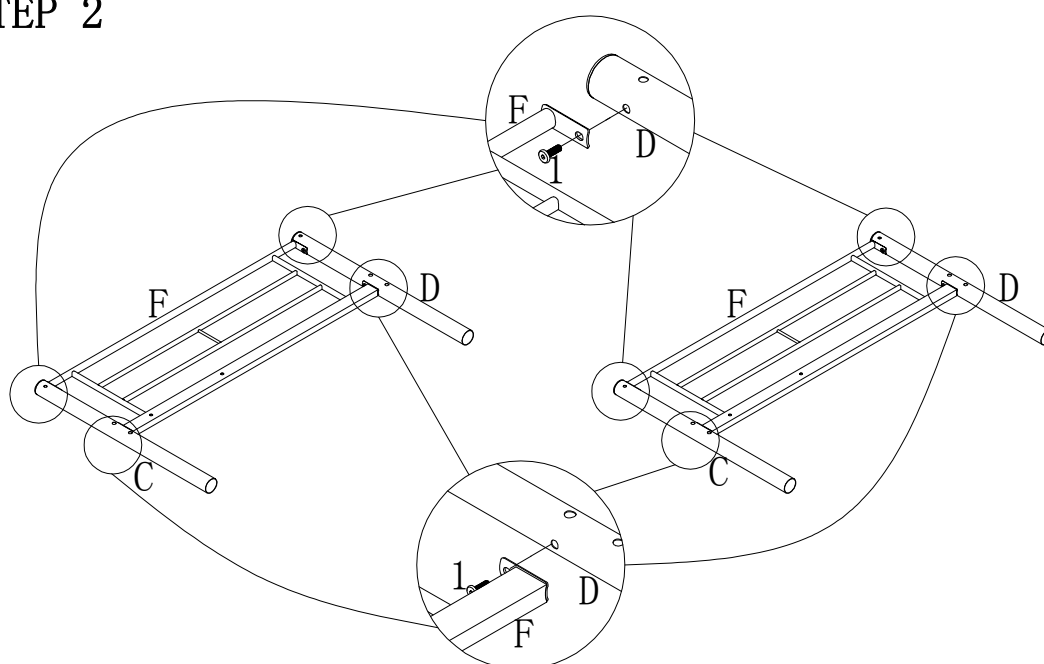
STEP 1

The following instructions will illustrate how to assemble the Bunk bed from **STEP 1** to **STEP 11**. Please use the Bunk bed Hardware Pack: **T1910-01**.



Hardware 1: 8 pcs

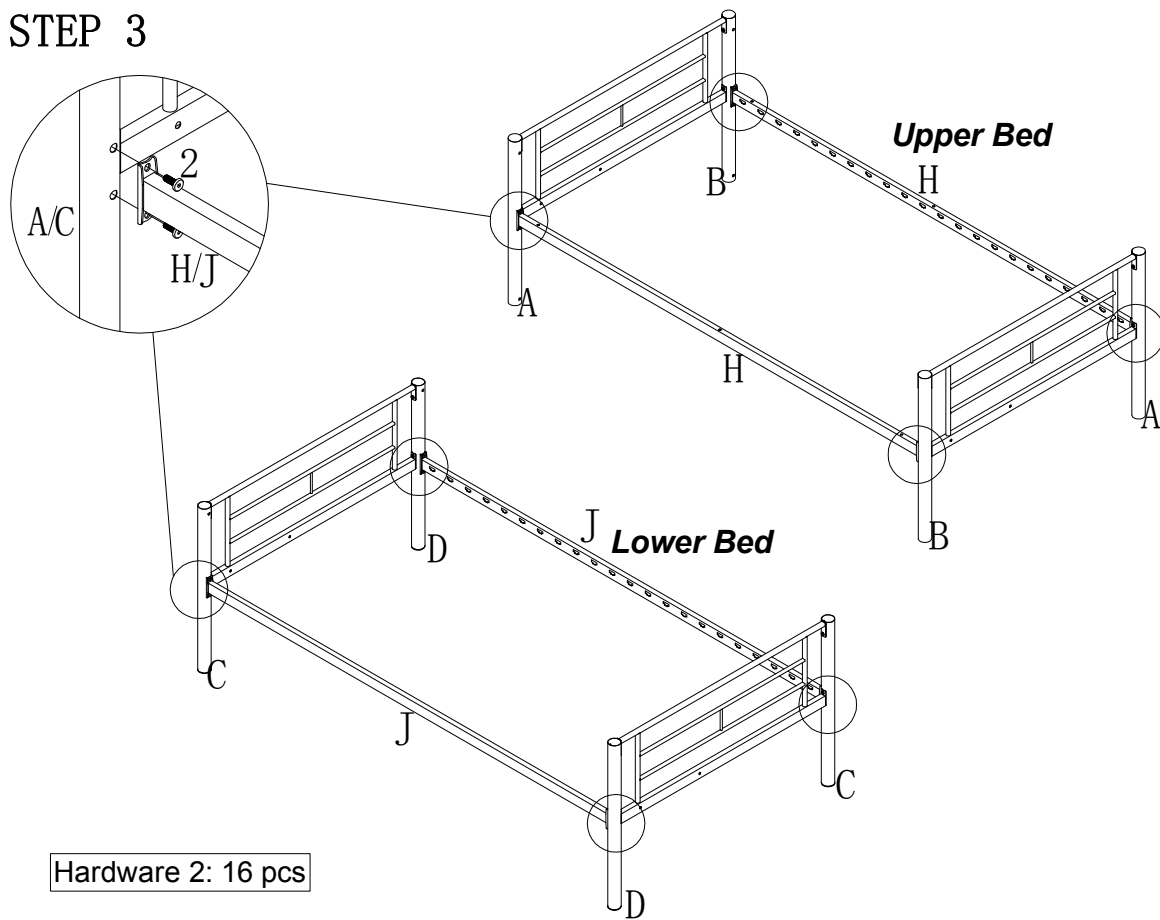
STEP 2



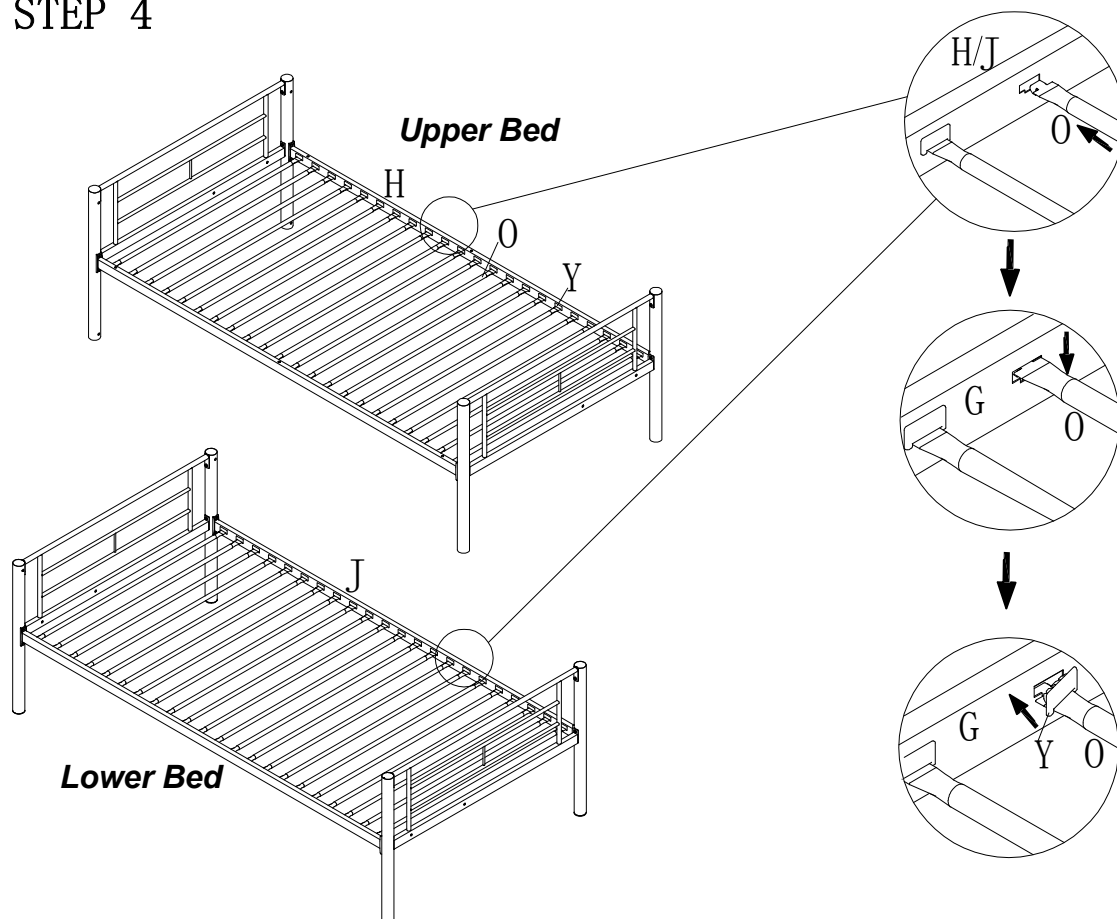
Hardware 1: 8 pcs

Note: Please do not tighten all bolts until the bed is assembled completely.

STEP 3

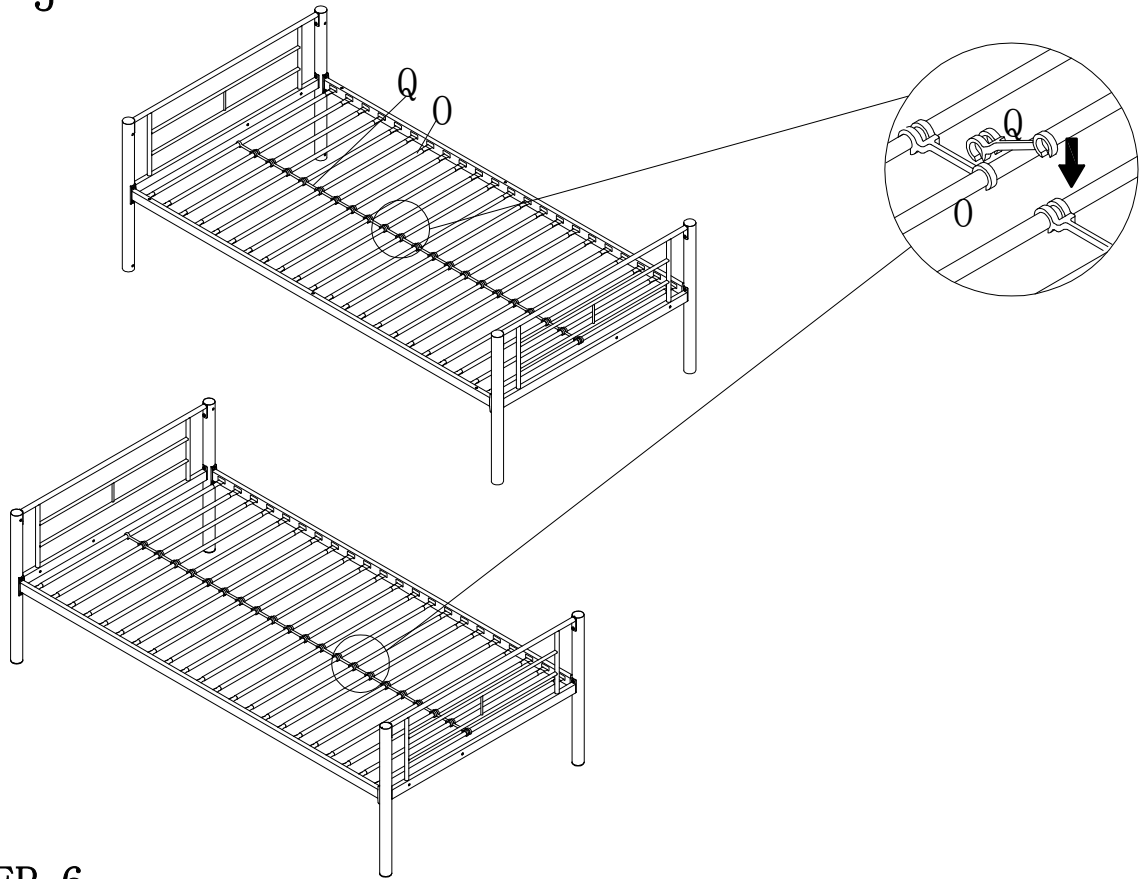


STEP 4

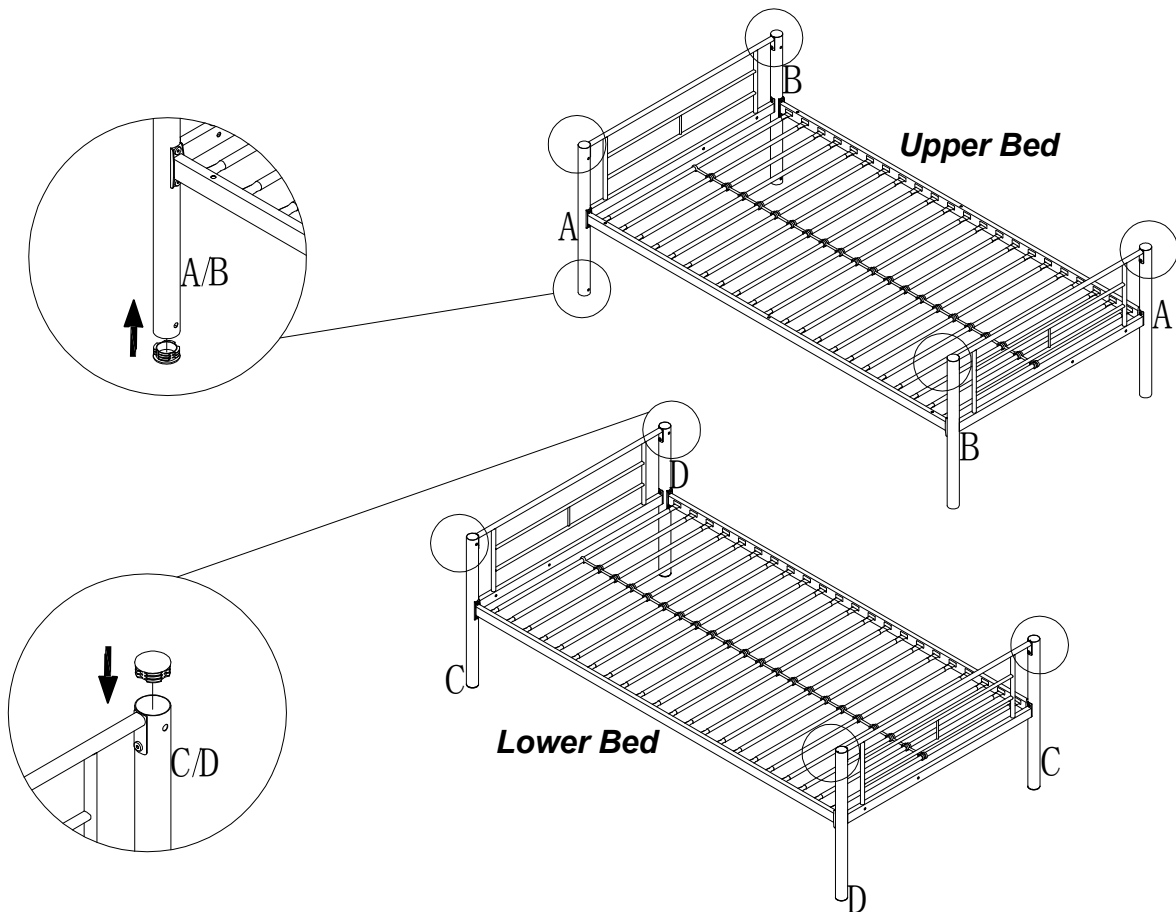


Note: Please do not tighten all bolts until the bed is assembled completely.

STEP 5

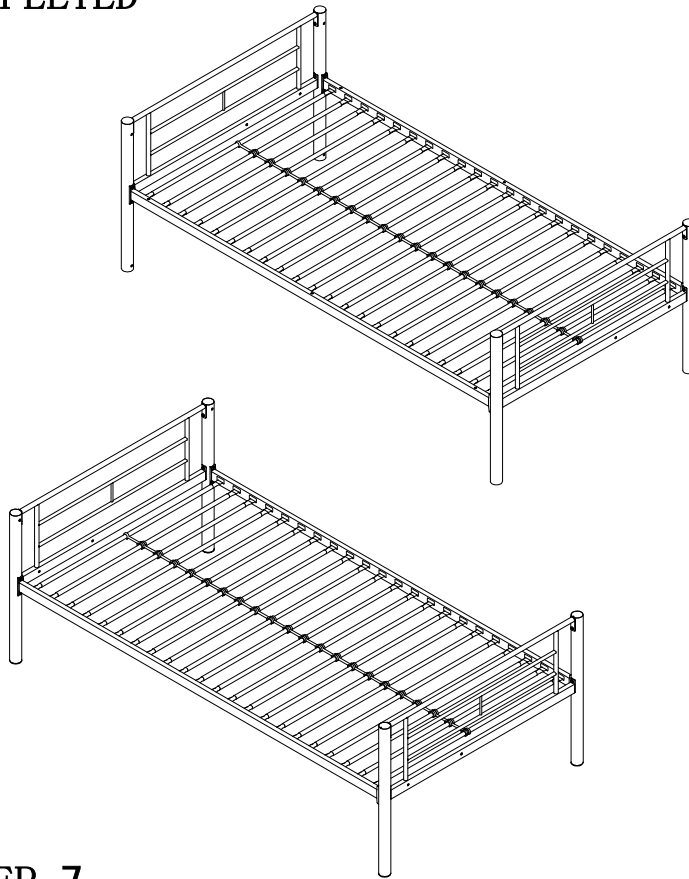


STEP 6

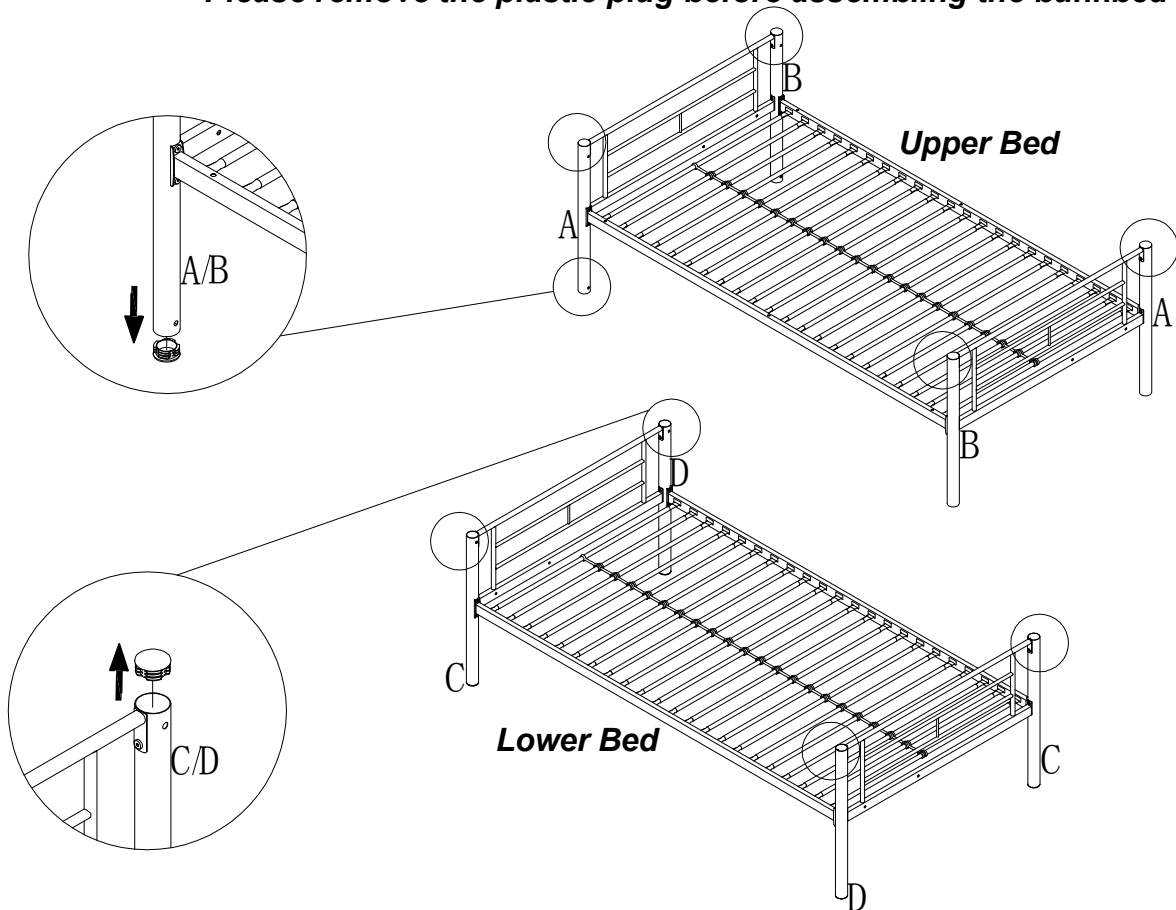


Note: Please do not tighten all bolts until the bed is assembled completely.

COMPLETED

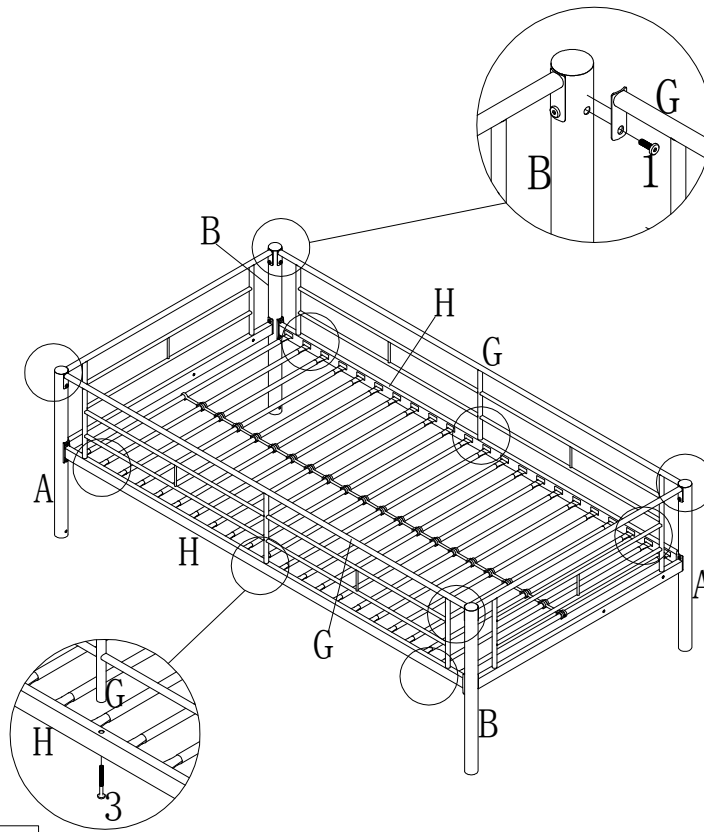


STEP 7 Please remove the plastic plug before assembling the bunkbed



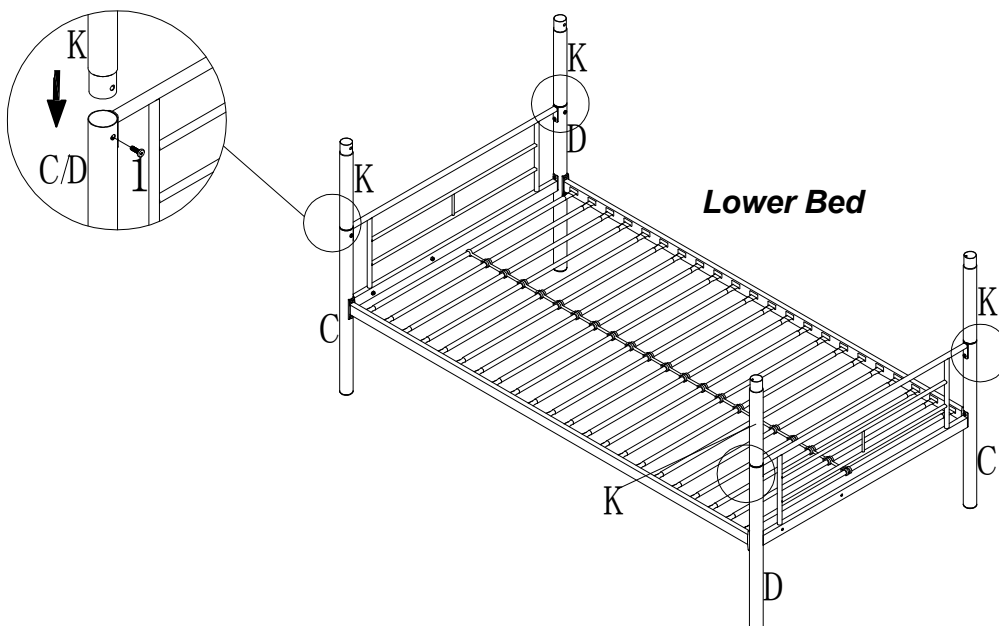
Note: Please do not tighten all bolts until the bed is assembled completely.

STEP 8



Hardware 1: 4 pcs
Hardware 3: 6 pcs

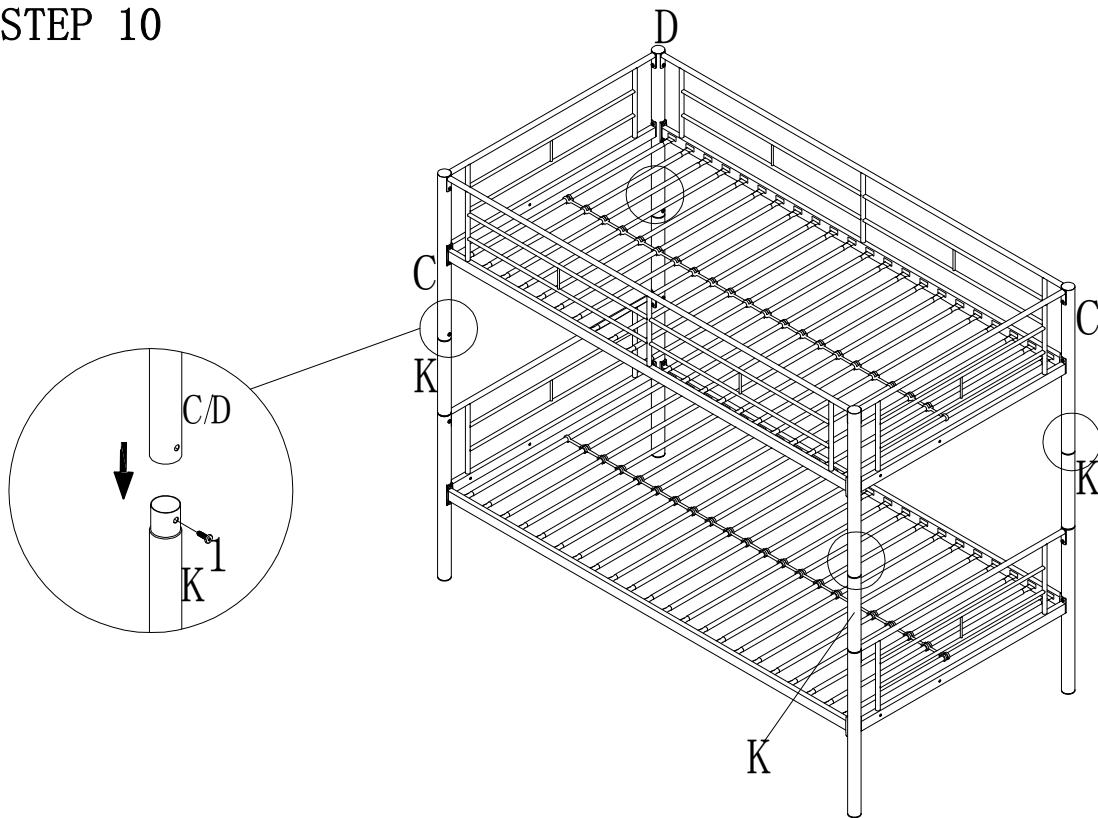
STEP 9



Hardware 1: 4 pcs

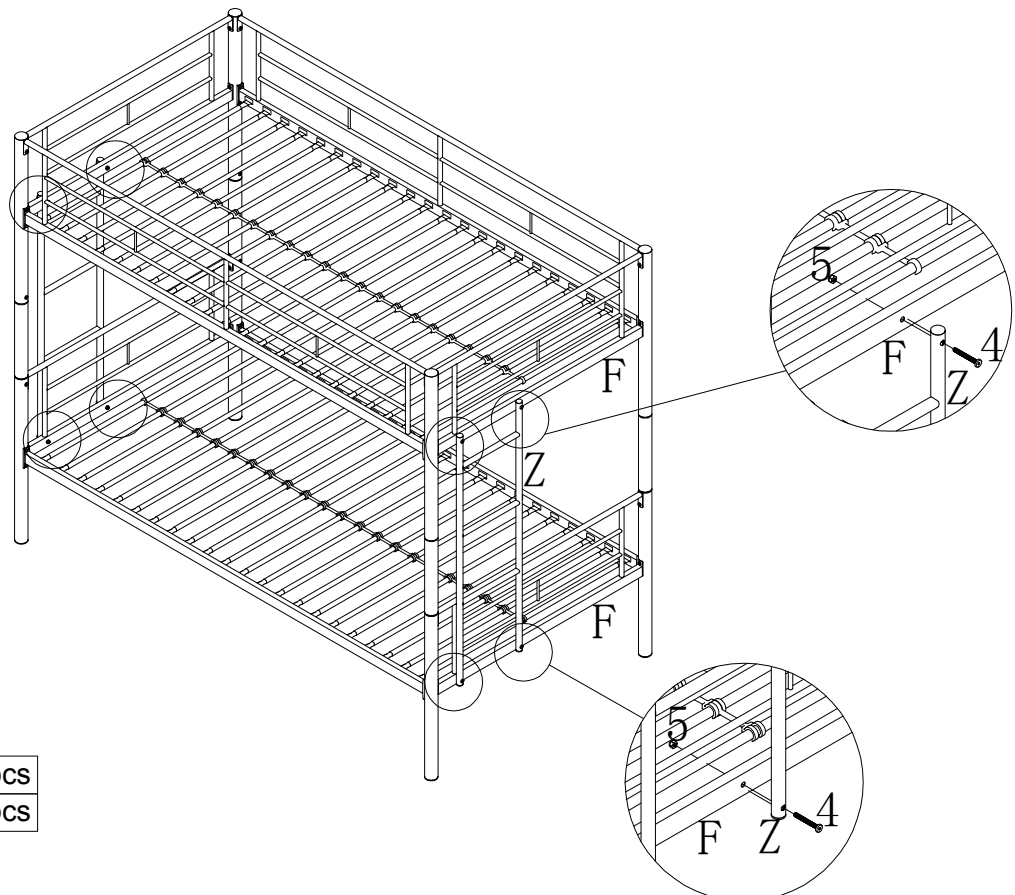
Note: Please do not tighten all bolts until the bed is assembled completely.

STEP 10



Hardware 1: 4 pcs

STEP 11

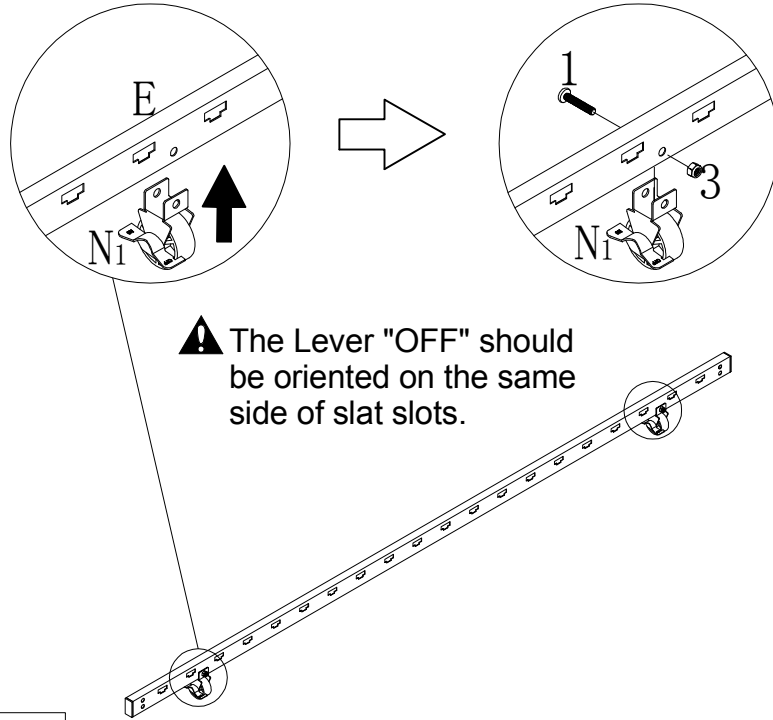


Hardware 4: 8 pcs
Hardware 5: 8 pcs

Note: Please do not tighten all bolts until the bed is assembled completely.

STEP 12

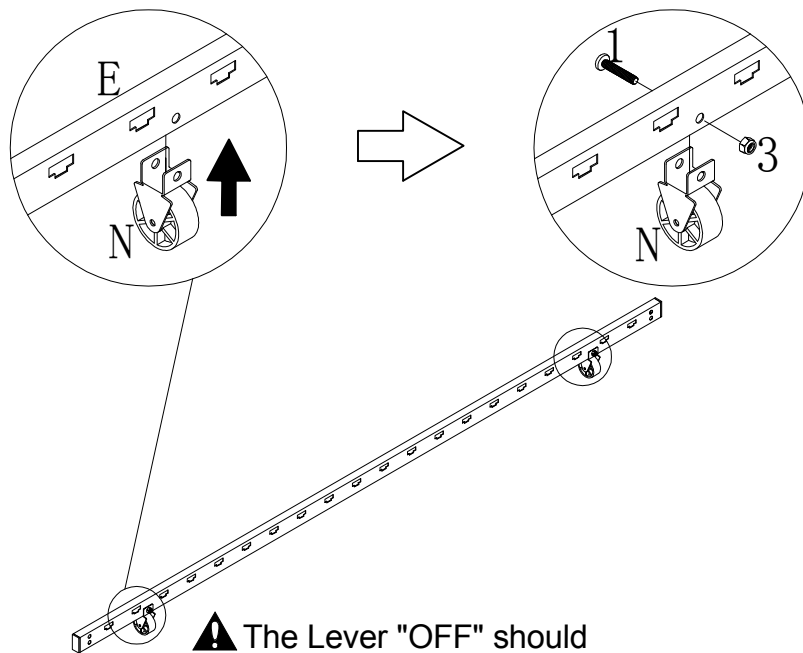
The following instructions will illustrate how to assemble the Trundle from **STEP 12** to **STEP 12**. Please use the Trundle Hardware Pack: **T1910-02**



⚠ The Lever "OFF" should be oriented on the same side of slat slots.

Hardware 1: 2 pcs
Hardware 3: 2 pcs

STEP 13

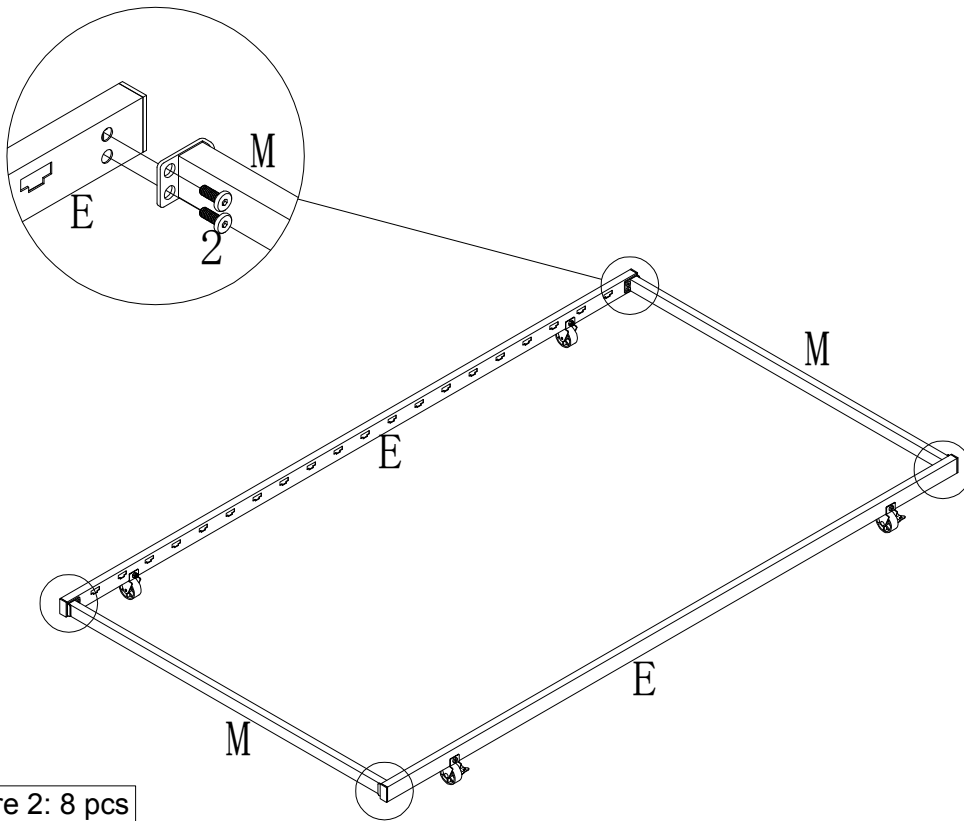


⚠ The Lever "OFF" should be oriented on the same side of slat slots.

Hardware 1: 2 pcs
Hardware 3: 2 pcs

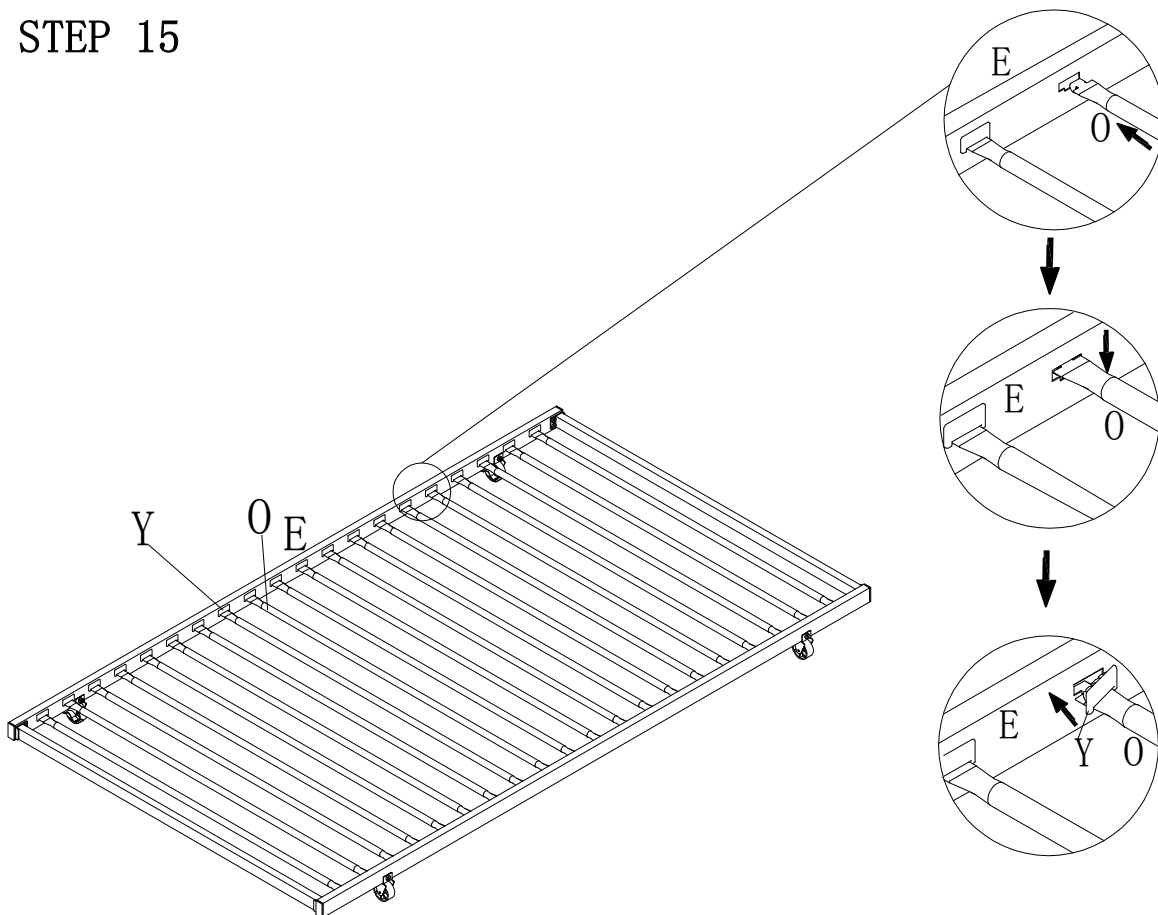
Note: Please do not tighten all bolts until the bed is assembled completely.

STEP 14



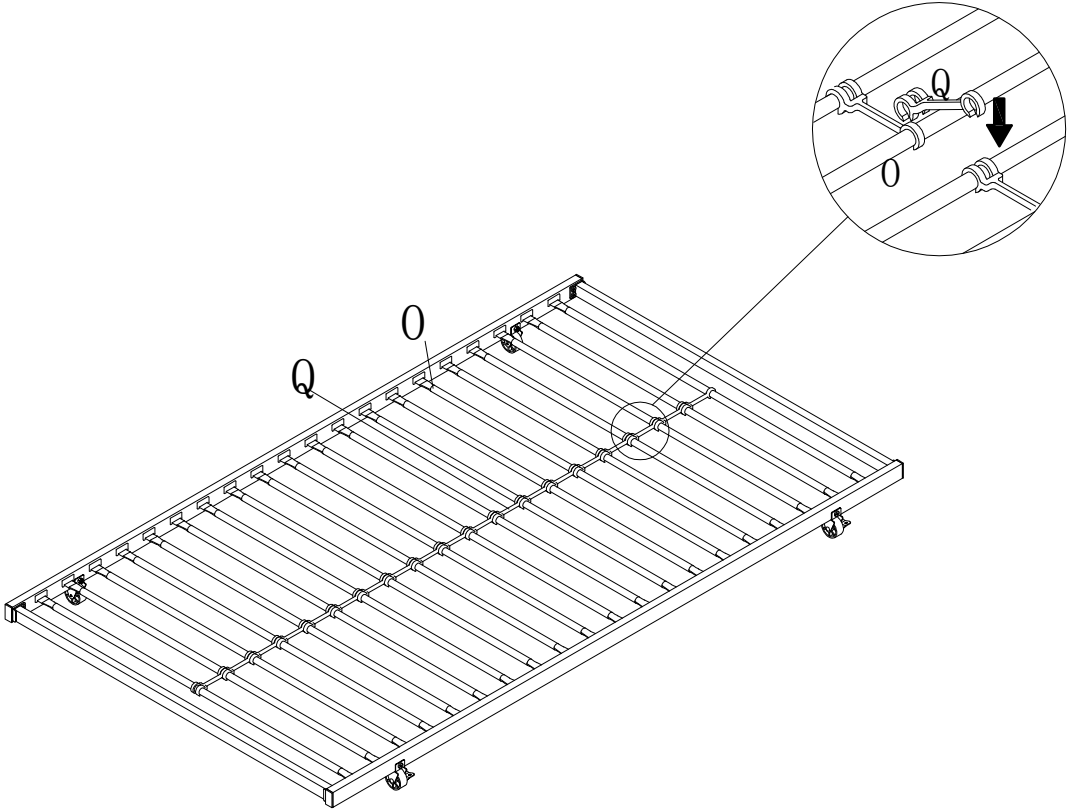
Hardware 2: 8 pcs

STEP 15



Note: Please do not tighten all bolts until the bed is assembled completely.

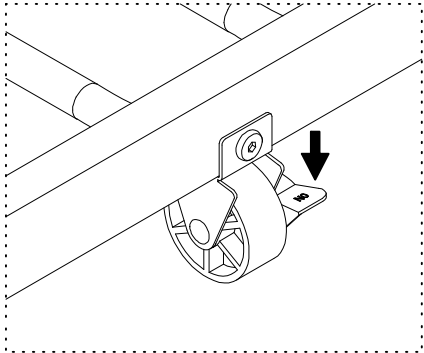
STEP 16



Note: Please do not tighten all bolts until the bed is assembled completely.

STEP 17

How to lock caster!



How to unlock caster!

