

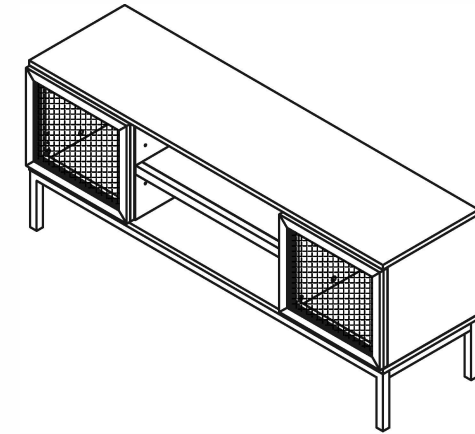
CARE AND MAINTENANCE

Spot clean using a mild water-free solvent. Only a professional cleaner should undertake a complete overall cleaning.
The use of steam or water-based cleaners may cause excessive shrinking or staining.

NOTICE

- * Please make sure that you have all parts indicated before you begin assembly of this item.
- * This item should be assembled on a soft surface to prevent scratching the finish during assembly.
- * This item may require periodic tightening.

Product Dimensions: 54"W x 15"D x 22"H



Part List and Hardware List

PIECE	DESCRIPTION	PICTURE	QUANTITY
A	TOP PANEL		1X
B	SIDE PANEL		2X
C	DIVIDER		2X
D	ADJUSTABLE SHELF		1X
E	RAIL SHELF		1X
F	BOTTOM PANEL		1X
G	BACK PANEL		1X
H	LEG FRAME		2X
I	SIDE FRAME		2X
J	CENTER FRAME		2X
K	DOOR		2X

WEIGHT CAPACITY :

TOP : 110 LBS

SHELF : 40 LBS

**WARNING: DO NOT OVER TORQUE
BOLTS/SCREWS**

PIECE	DESCRIPTION	PICTURE	QTY
1	45 MM BOLT	M6x45mm	8X
2	35 MM BOLT	M6x35mm	8X
3	20 MM BOLT	M6x20mm	4X
4	1/2" ROUND HEAD SCREW	M3x13mm	20X
5	5/8" FLAT HEAD SCREW	M3x16mm	10X
6	CAMBOLT		27X
7	CAMLOCK		27X
8	HINGE		4X
9	SHELF SUPPORT PIN		4X
10	DOWEL		16X
11	MAGNET		2X
12	WEDGE		10X
13	ALLEN KEY		1X

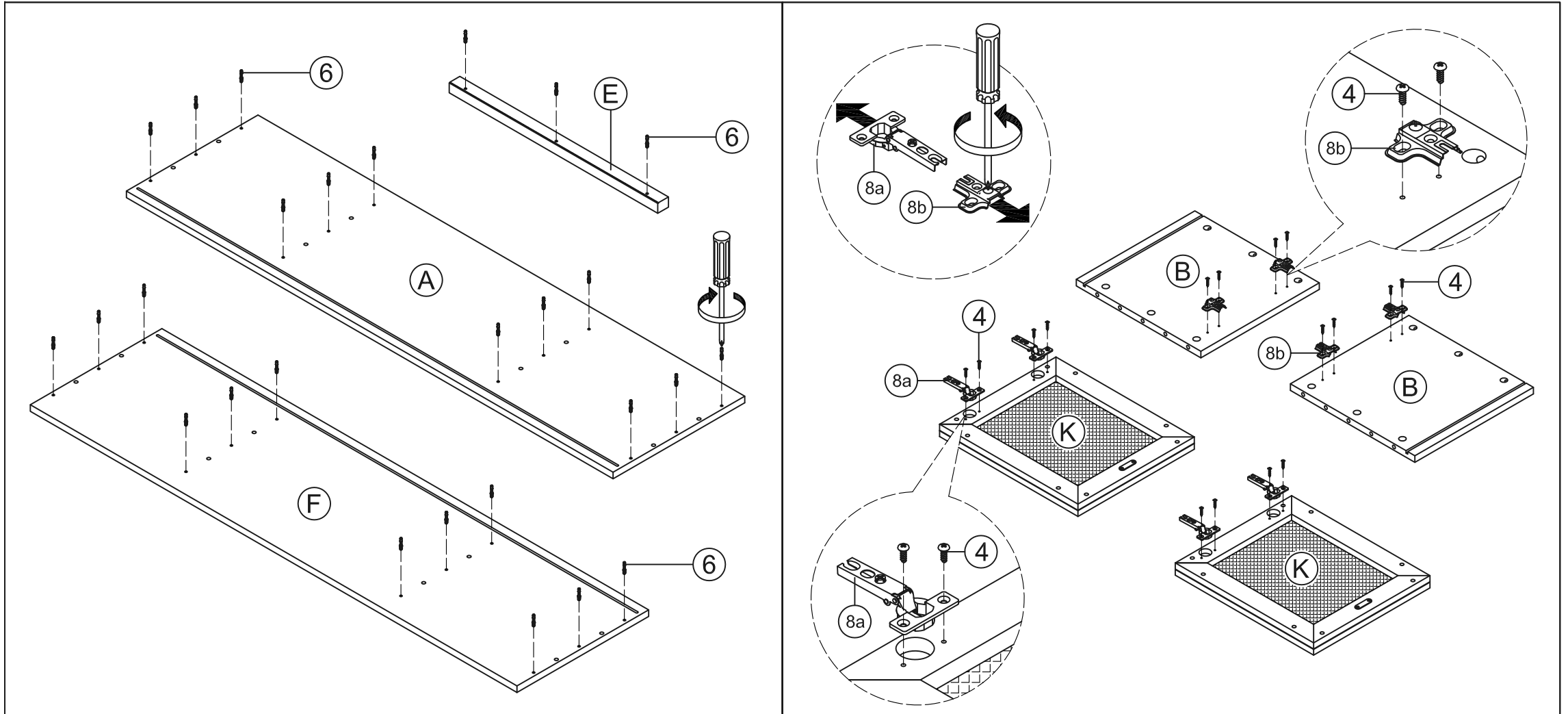
PREPARATION

Before beginning assembly of product, make sure all parts are present. Compare parts with package contents list and hardware contents list.

If any part is missing or damaged, do not attempt to assemble the product.

Estimated Assembly Time: 60 minutes.

Tools Required for Assembly : Phillips Screwdriver



STEP 1 ATTACH CAMBOLTS TO TOP PANEL, RAIL SHELF, BOTTOM PANEL.

STEP 2 DETACH THE HINGE FROM THE BASE. ATTACH HINGE BASES TO SIDE PANELS USING 1/2" ROUND HEAD SCREWS.
ATTACH HINGES TO DOORS USING 1/2" ROUND HEAD SCREWS.

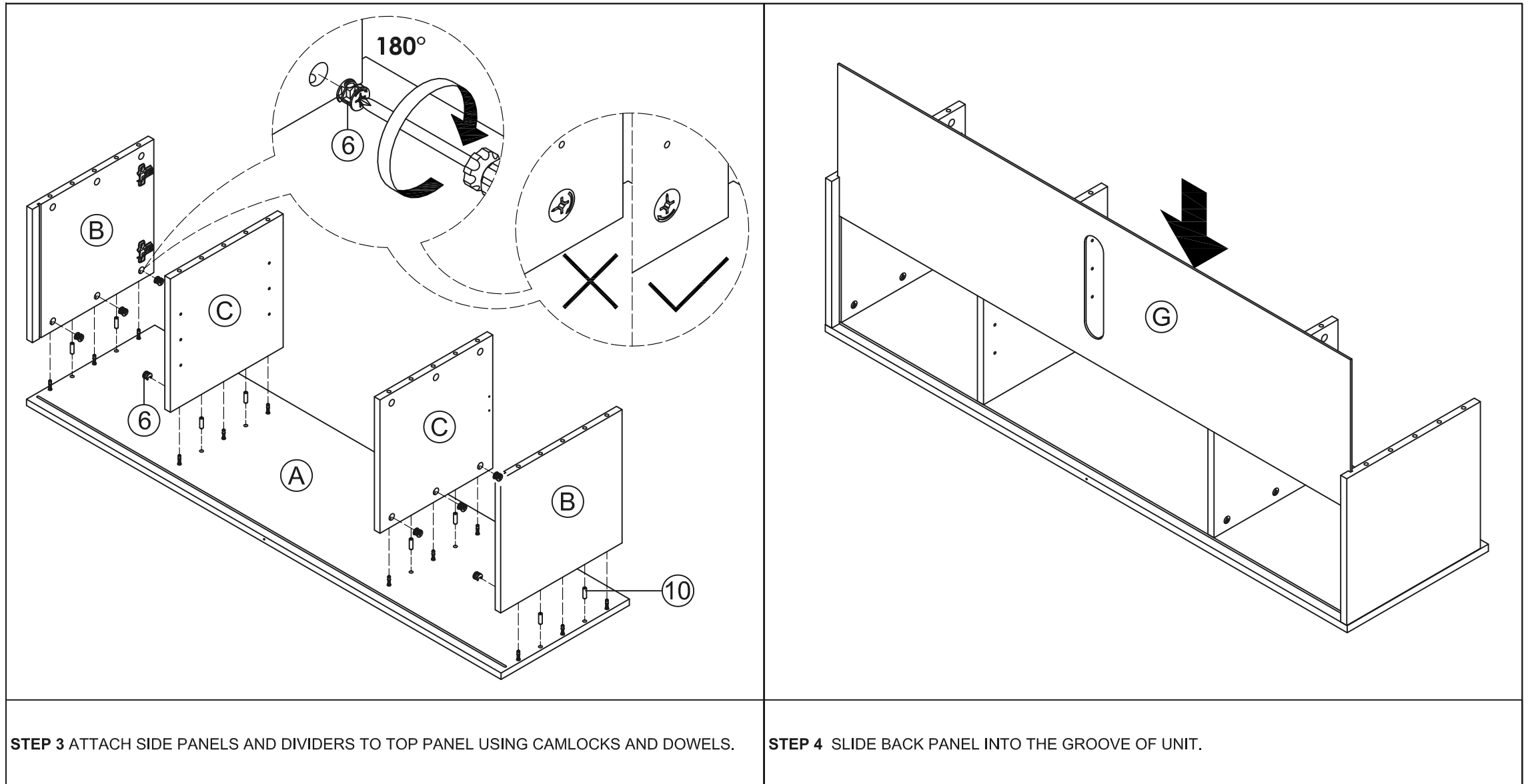
PREPARATION

Before beginning assembly of product, make sure all parts are present. Compare parts with package contents list and hardware contents list.

If any part is missing or damaged, do not attempt to assemble the product.

Estimated Assembly Time: 60 minutes.

Tools Required for Assembly : Phillips Screwdriver



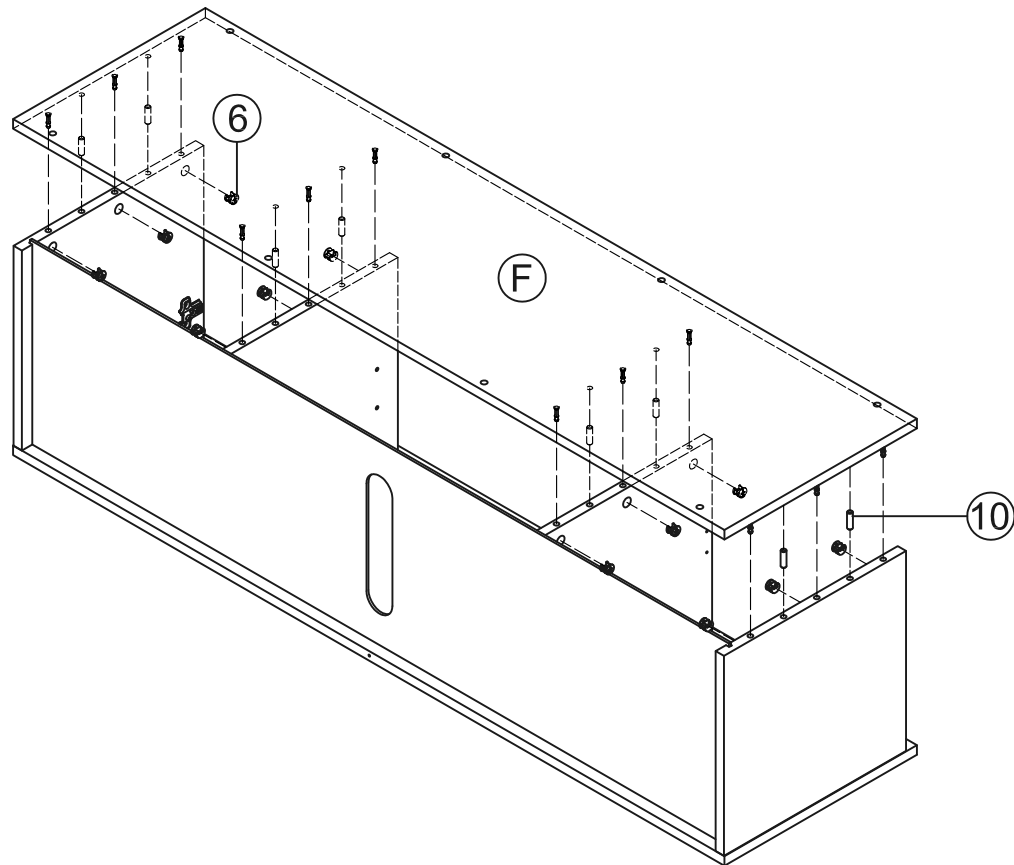
PREPARATION

Before beginning assembly of product, make sure all parts are present. Compare parts with package contents list and hardware contents list.

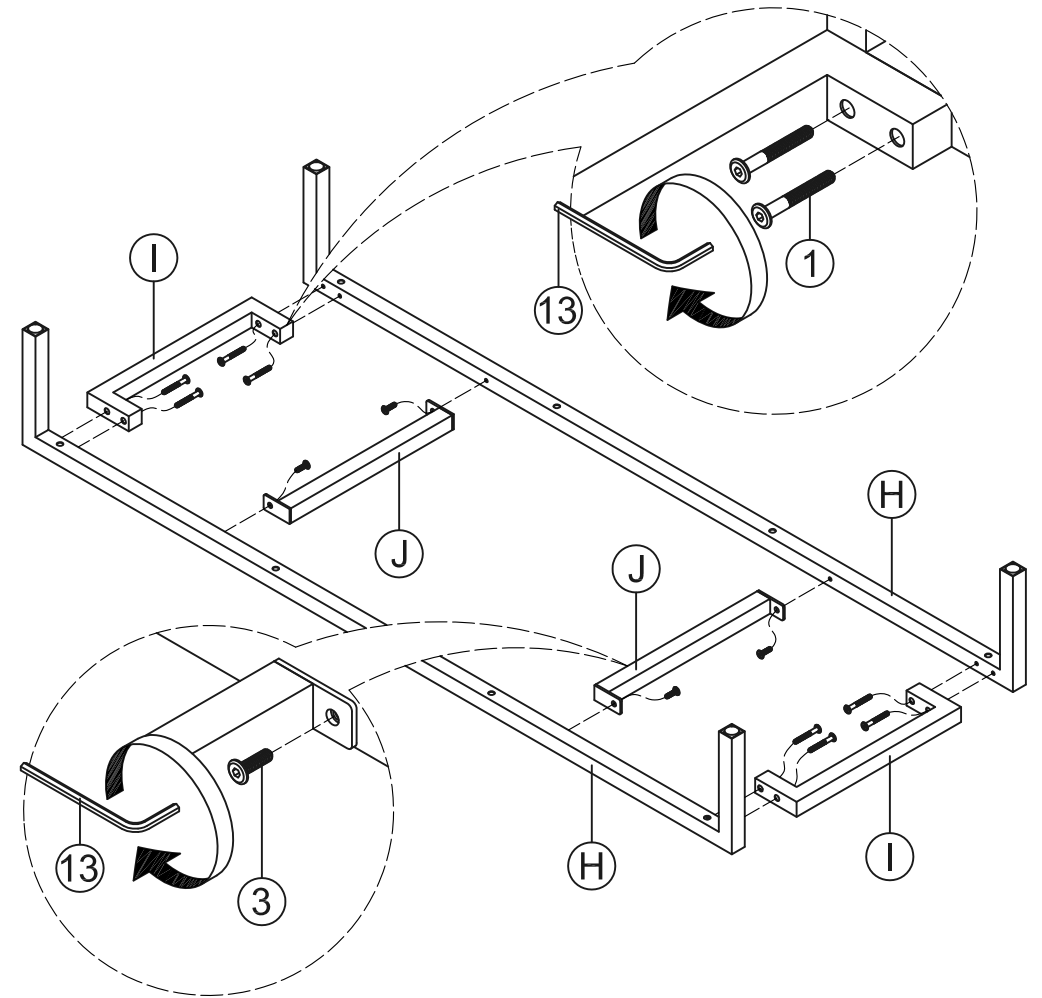
If any part is missing or damaged, do not attempt to assemble the product.

Estimated Assembly Time: 60 minutes.

Tools Required for Assembly : Phillips Screwdriver



STEP 5 ATTACH BOTTOM PANEL TO UNIT USING CAMLOCKS AND DOWELS.



STEP 6 ATTACH SIDE FRAME TO LEG FRAMES USING 45 MM BOLTS.
ATTACH CENTER FRAME TO LEG FRAMES USING 20 MM BOLTS.
TIGHTEN THE BOLTS USING ALLEN KEY.

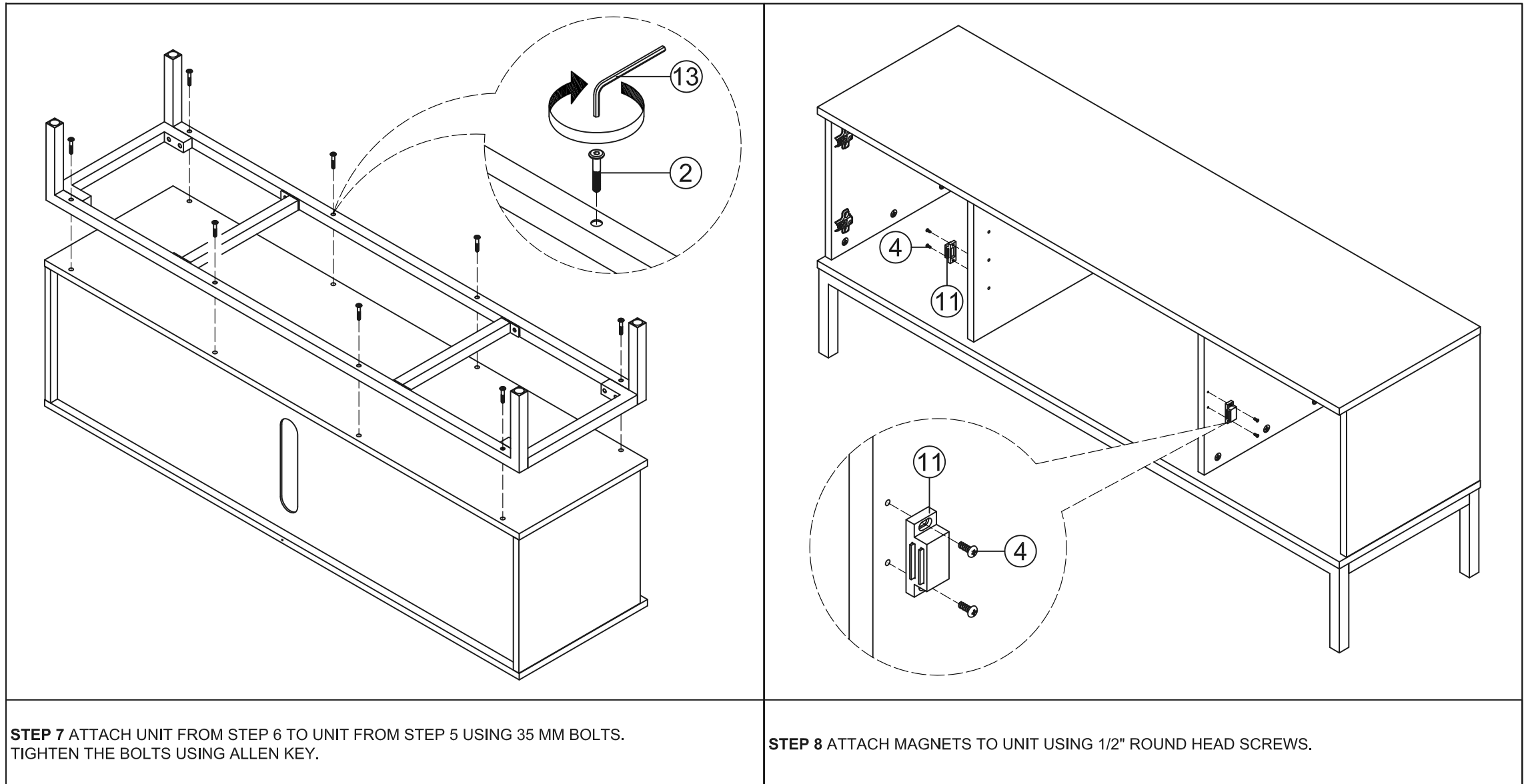
PREPARATION

Before beginning assembly of product, make sure all parts are present. Compare parts with package contents list and hardware contents list.

If any part is missing or damaged, do not attempt to assemble the product.

Estimated Assembly Time: 60 minutes.

Tools Required for Assembly : Phillips Screwdriver



STEP 7 ATTACH UNIT FROM STEP 6 TO UNIT FROM STEP 5 USING 35 MM BOLTS.
TIGHTEN THE BOLTS USING ALLEN KEY.

STEP 8 ATTACH MAGNETS TO UNIT USING 1/2" ROUND HEAD SCREWS.

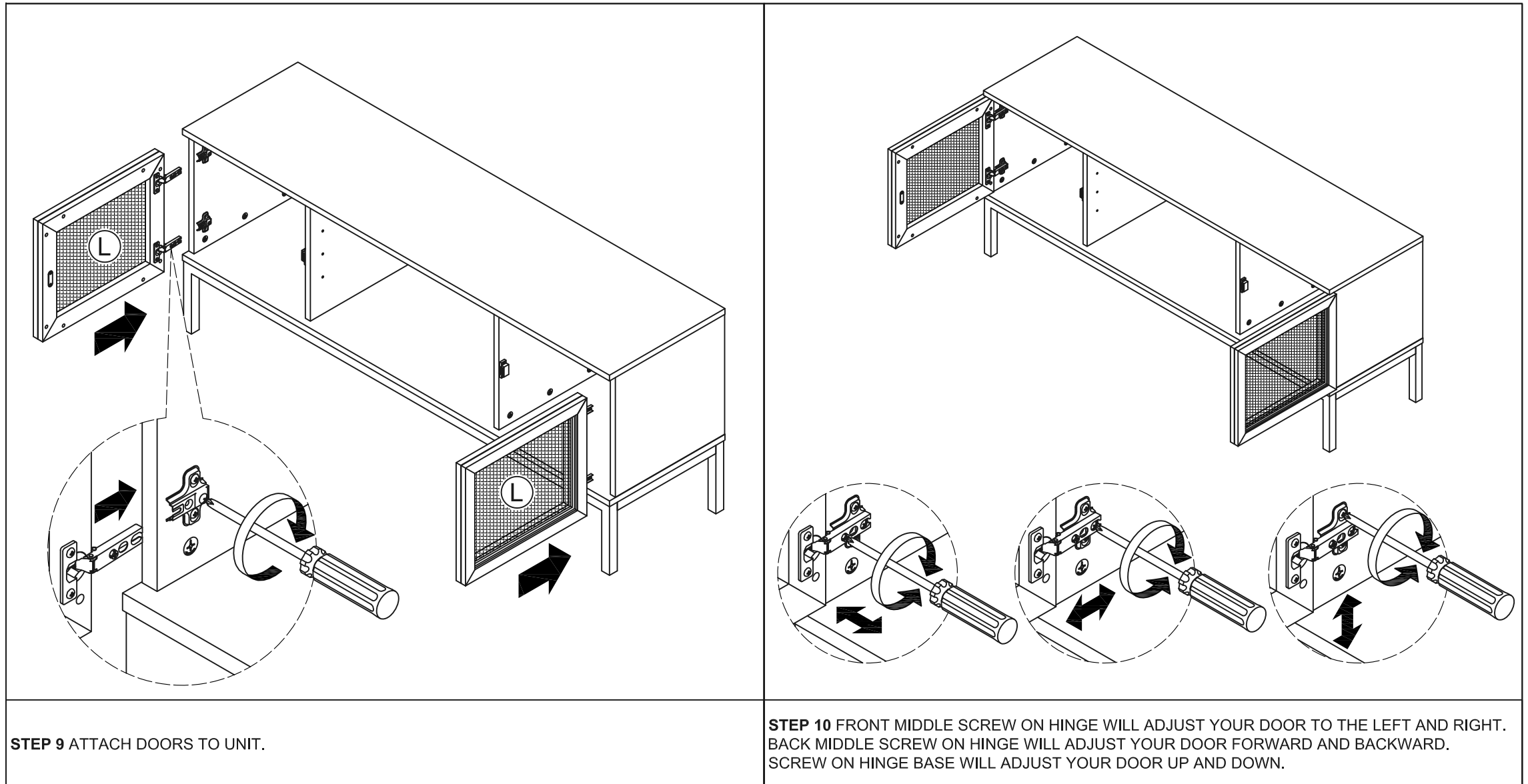
PREPARATION

Before beginning assembly of product, make sure all parts are present. Compare parts with package contents list and hardware contents list.

If any part is missing or damaged, do not attempt to assemble the product.

Estimated Assembly Time: 60 minutes.

Tools Required for Assembly : Phillips Screwdriver



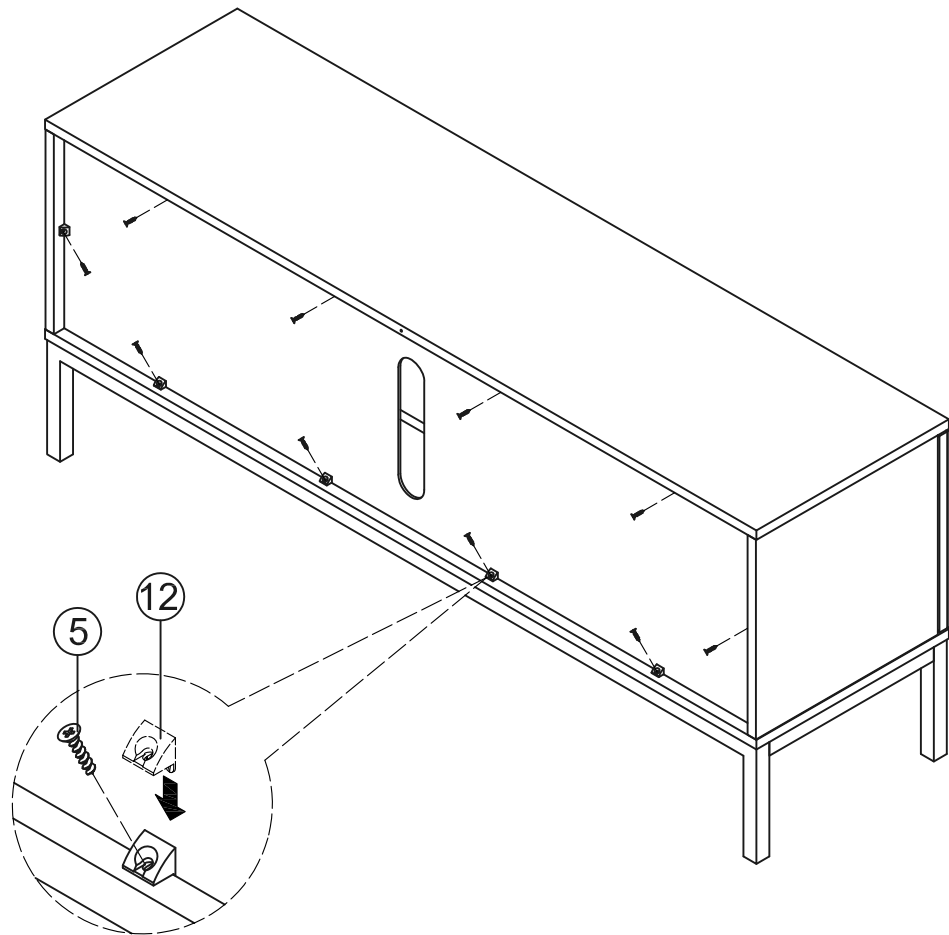
PREPARATION

Before beginning assembly of product, make sure all parts are present. Compare parts with package contents list and hardware contents list.

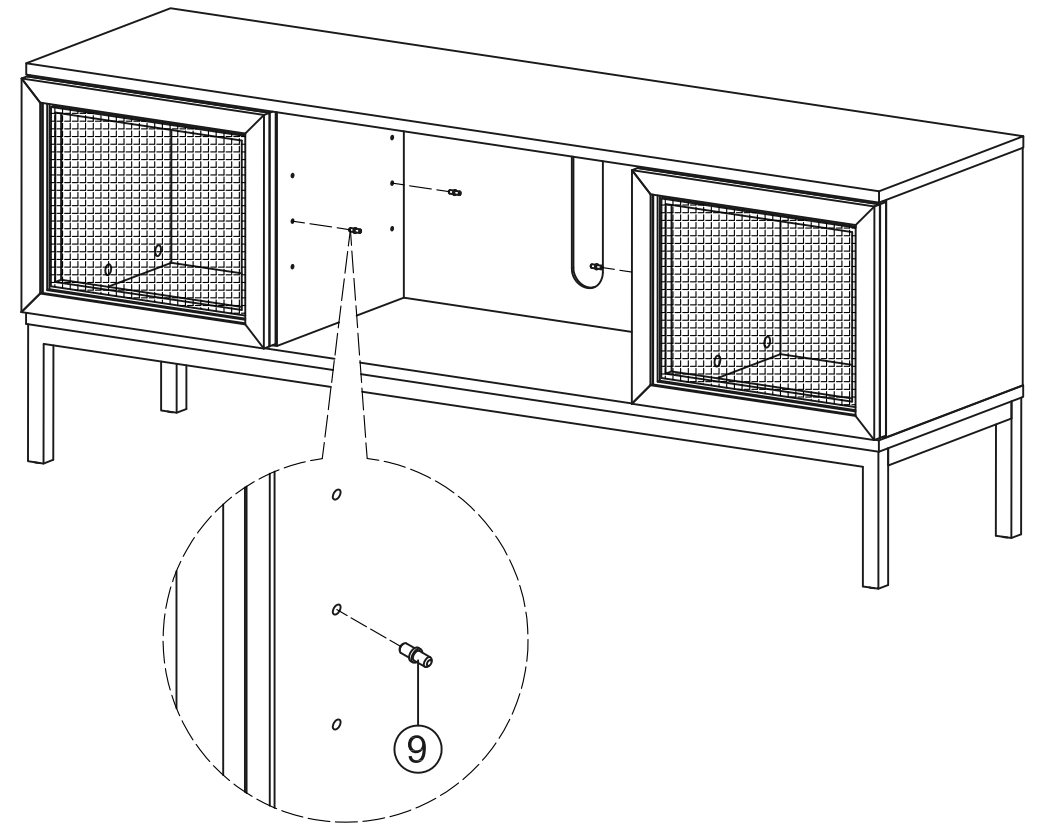
If any part is missing or damaged, do not attempt to assemble the product.

Estimated Assembly Time: 60 minutes.

Tools Required for Assembly : Phillips Screwdriver



STEP 11 ATTACH WEDGES TO UNIT USING 5/8" FLAT HEAD SCREWS.



STEP 12 INSERT SHELF SUPPORT PINS TO UNIT AT DESIRED LEVEL.

PREPARATION

Before beginning assembly of product, make sure all parts are present. Compare parts with package contents list and hardware contents list.

If any part is missing or damaged, do not attempt to assemble the product.

Estimated Assembly Time: 60 minutes.

Tools Required for Assembly : Phillips Screwdriver

