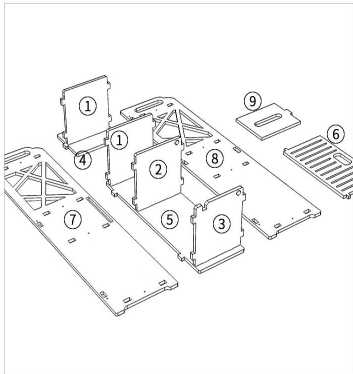
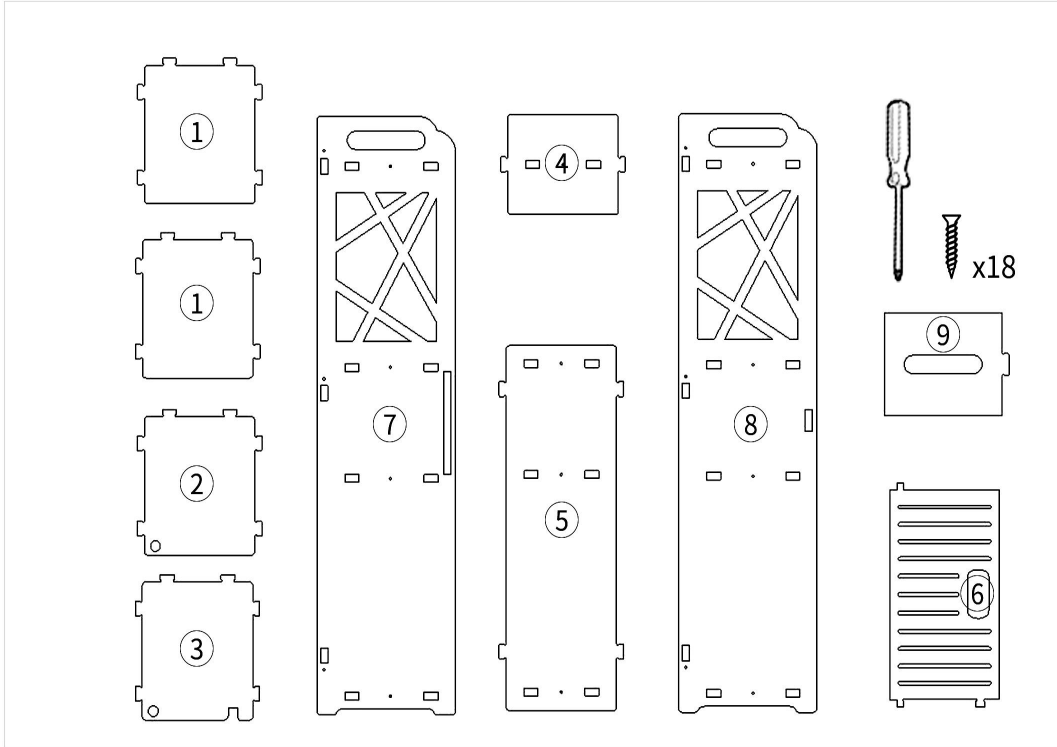
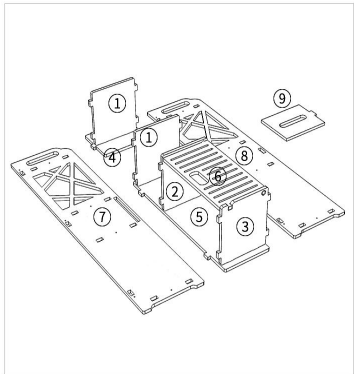


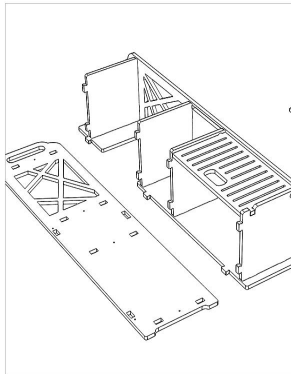
INSTALLATION STEPS



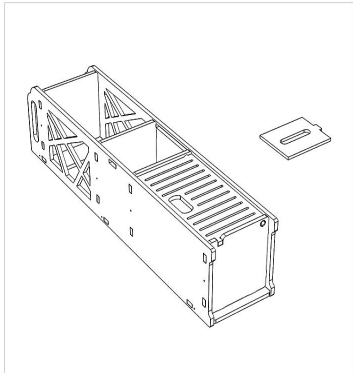
1 As shown in the figure, install the No. 1 board, No. 2 board, and No. 3 board on the No. 4 board and No. 5 board respectively.



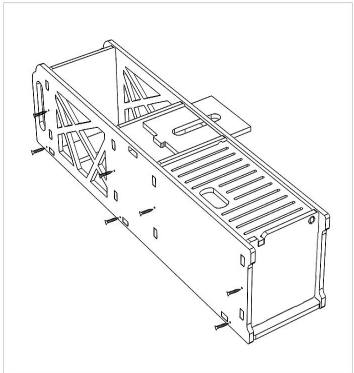
2 Install the No.6 board on the No.2 and No.3 boards.



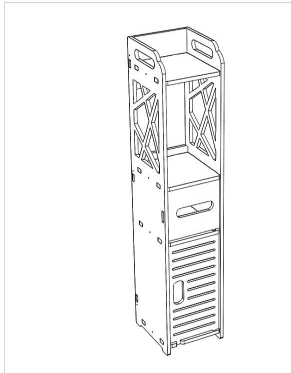
3 Connect the remaining products on No.7 board.



4 Repeat the previous step of the No.8 board.



4 Insert the No. 9 plate from the side hole of the No. 7 plate, and fix it with screws



4 As shown, the entire product has installed.

