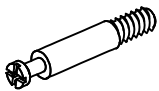

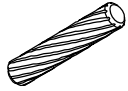
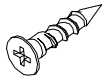
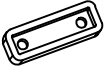
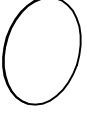
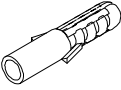
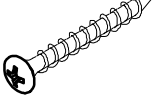





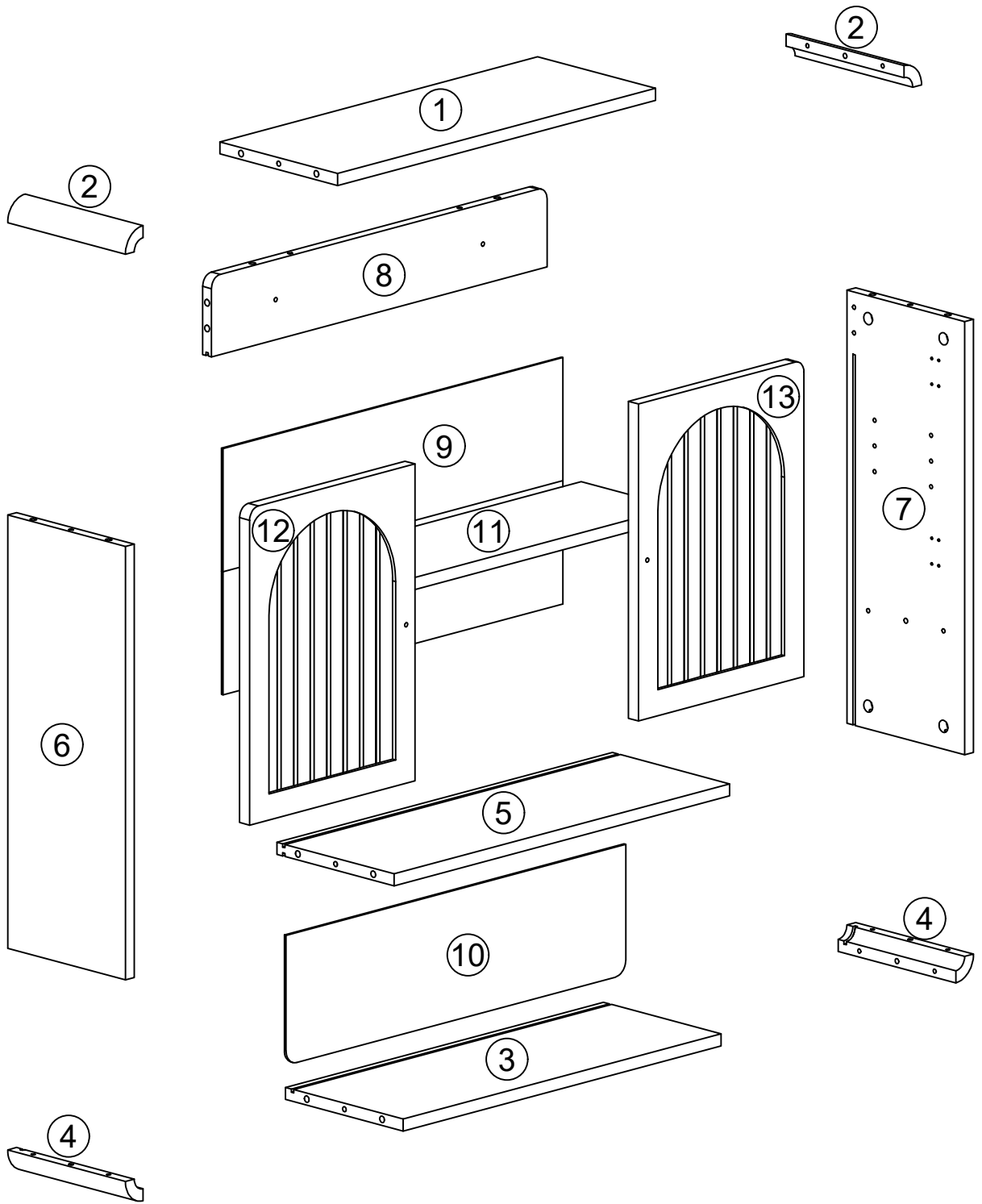
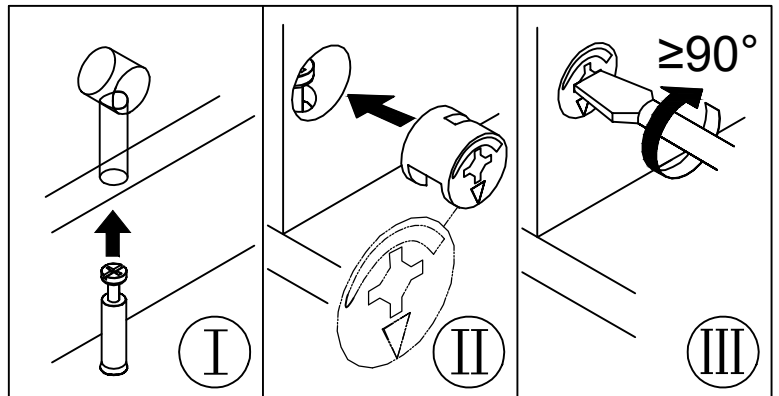
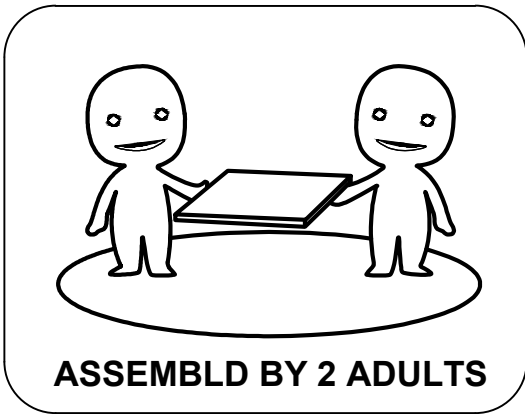


A×26PCS	B×26PCS	C×12PCS	D×34PCS	E×1PC
 M6×35mm	 Ø15×12mm	 Ø6×30mm	 Ø3.5×14mm	
F×22PCS	G×2PCS	H×2PCS	I×1PC	J×2PCS
	 Ø6×30mm	 Ø4×50mm		
K×2PCS	L×4PCS	M×4PCS		
 M4×18mm	 Ø5×19mm			

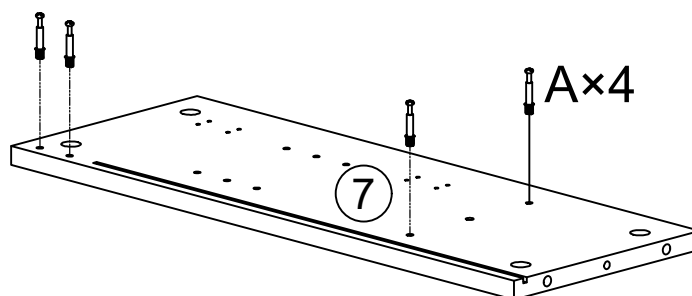
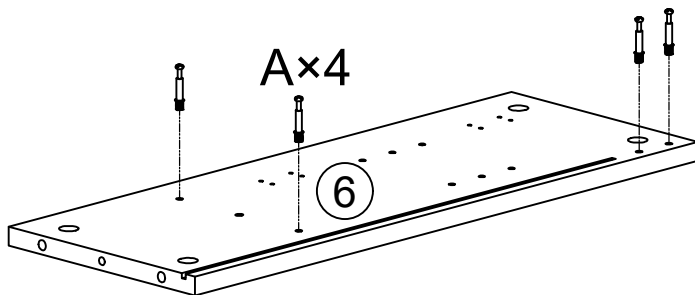




1.



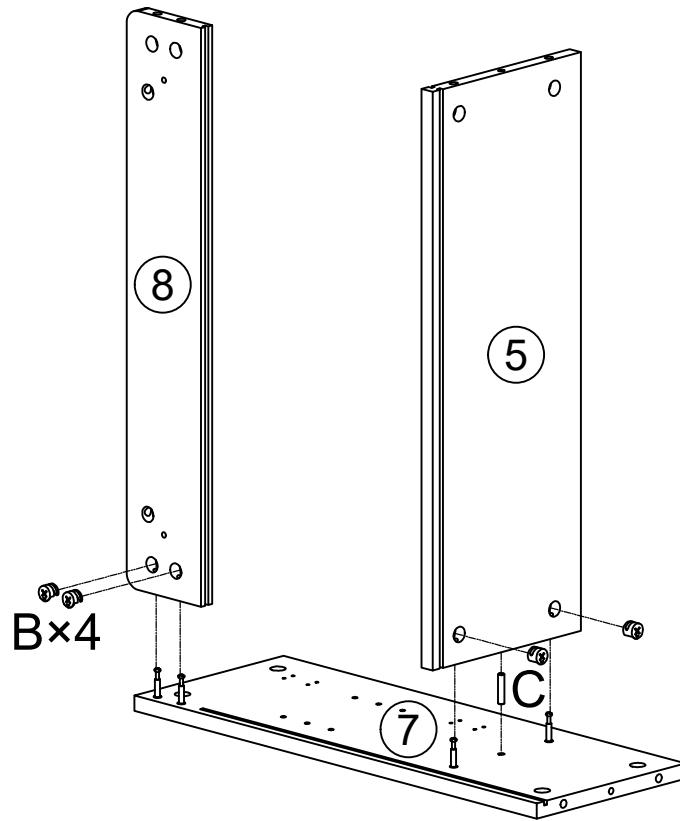
2.

A×8PCS

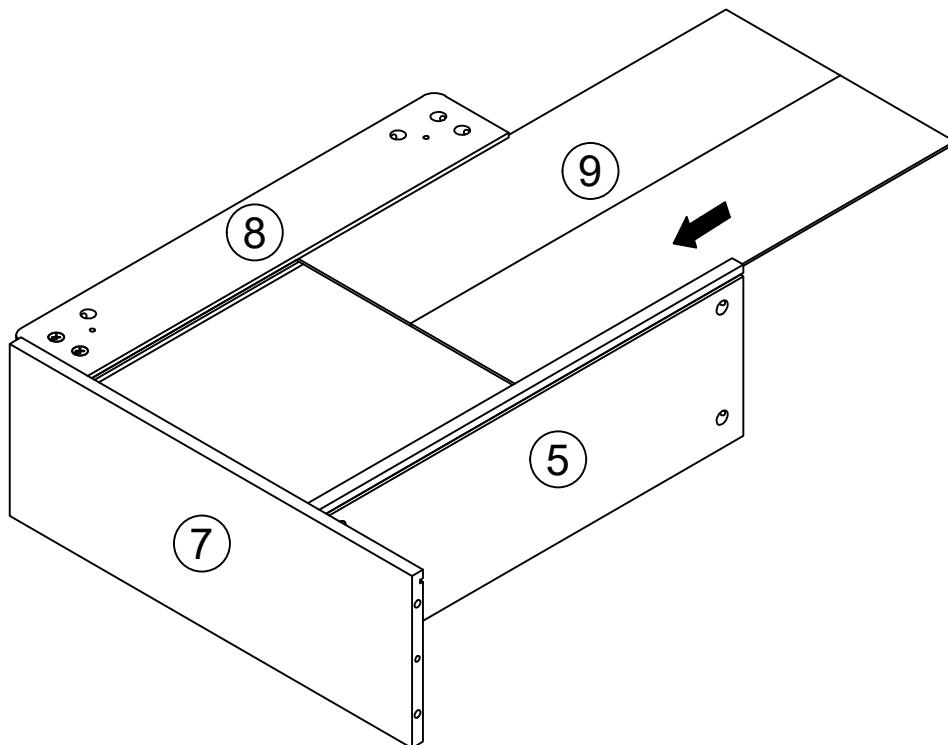


B×4PCS	C×1PC
	
Ø15×12mm	Ø6×30mm



3.

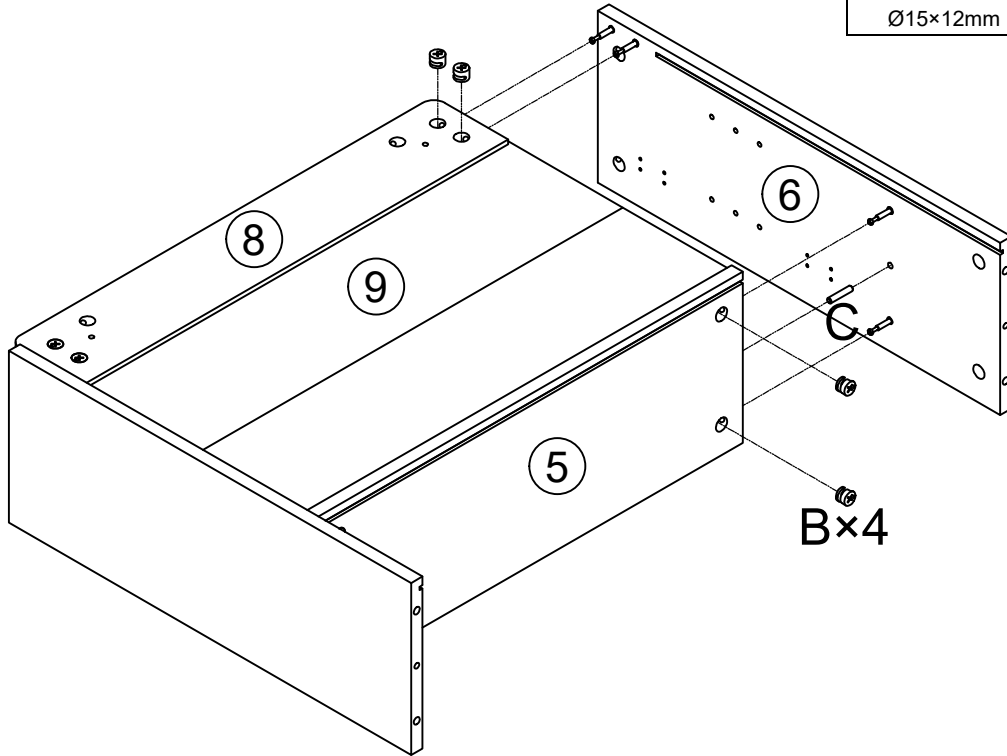


4.



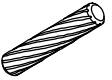

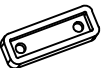


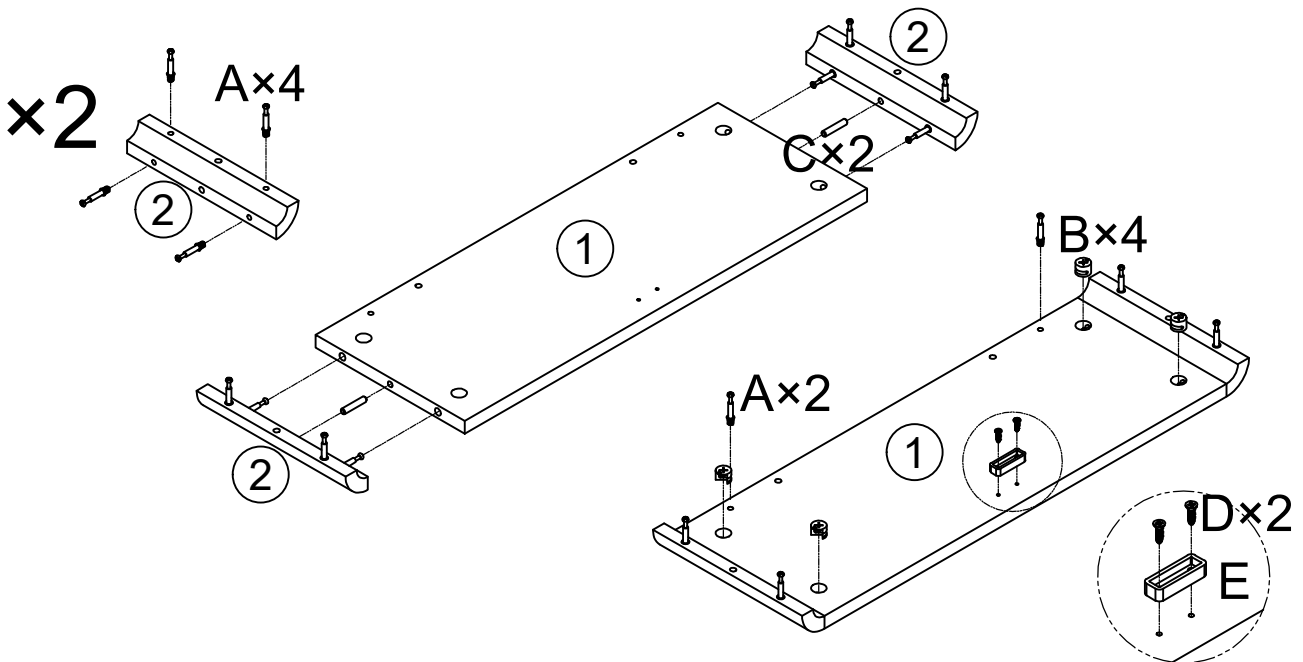
5.



B×4PCS	C×1PC
	
Ø15×12mm	Ø6×30mm



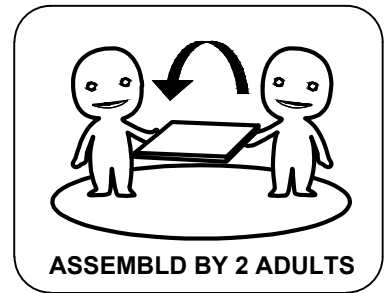
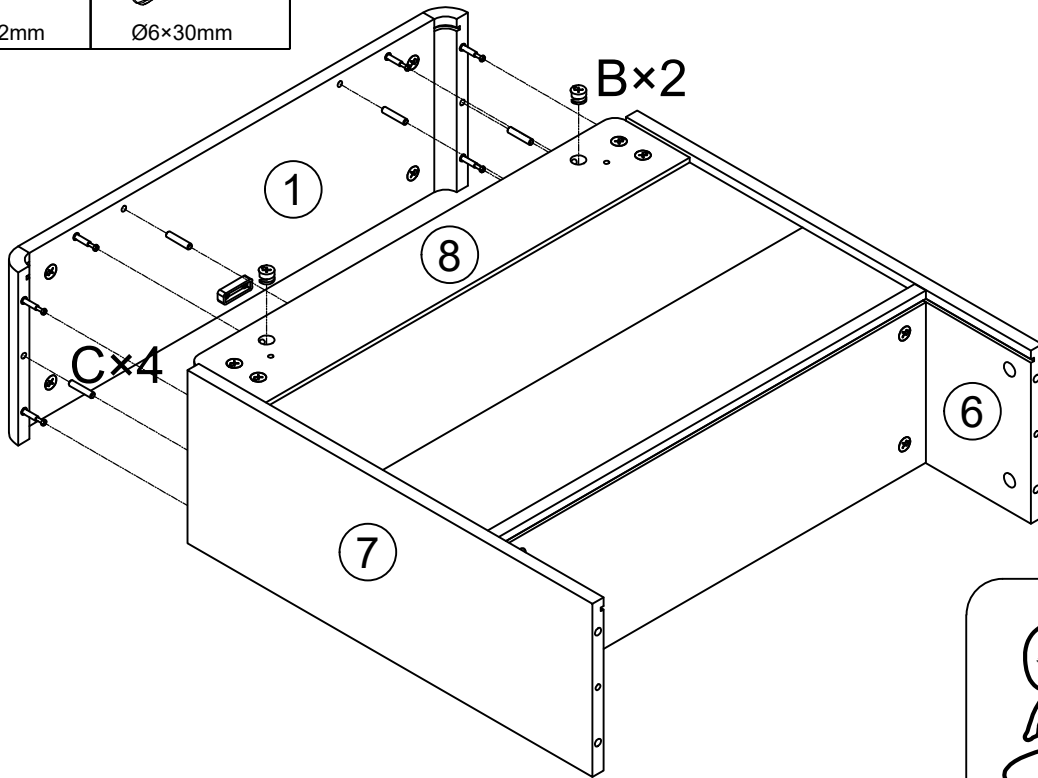
6.


A×10PCS	B×4PCS	C×2PCS	D×2PCS	E×1PC
				
M6×35mm	Ø15×12mm	Ø6×30mm	Ø3.5×14mm	



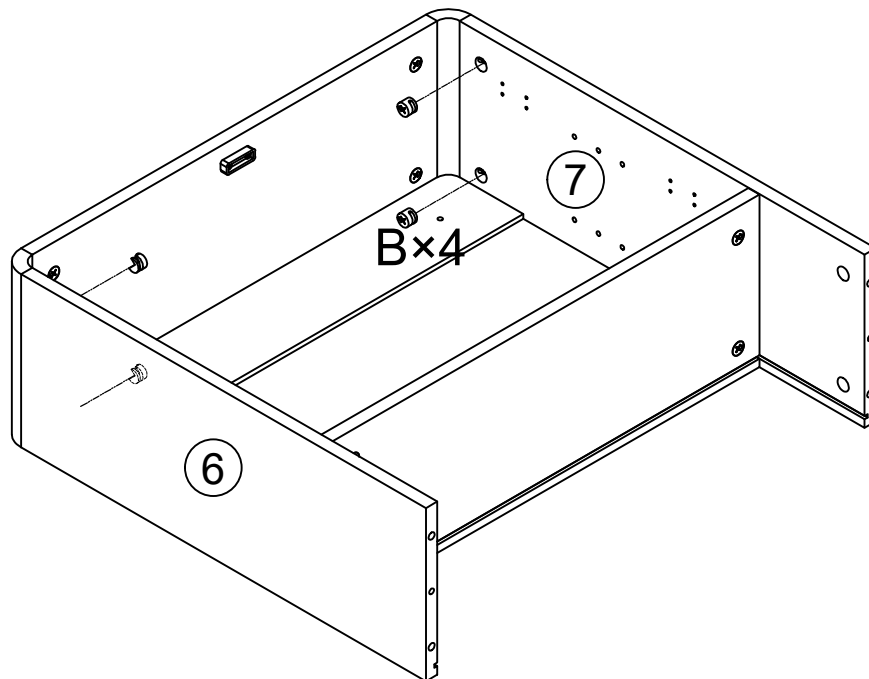
B×2PCS	C×4PCS
	
Ø15×12mm	Ø6×30mm

7.

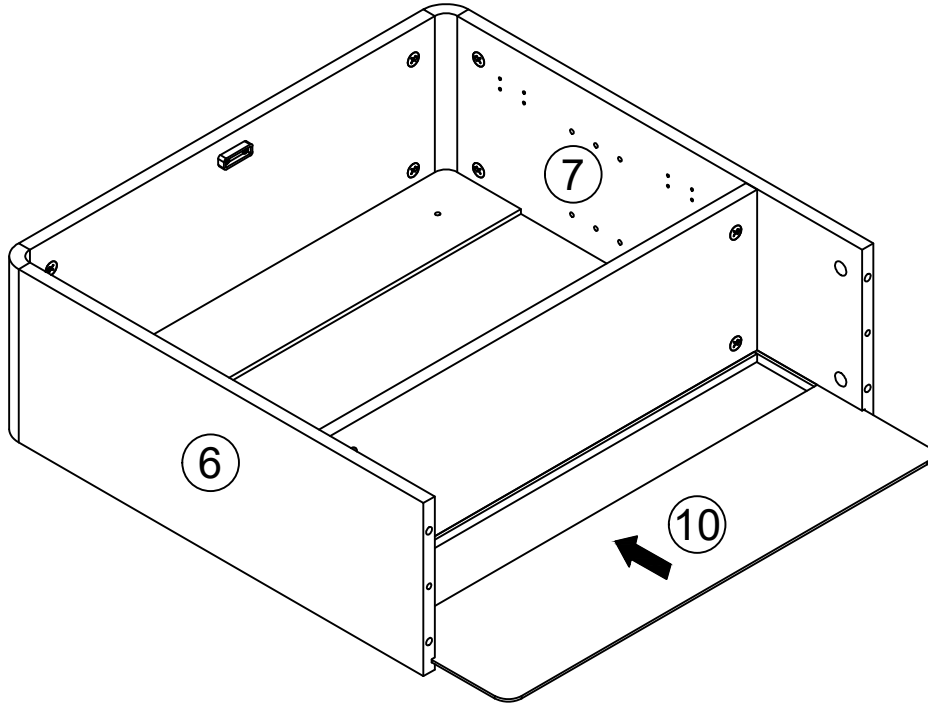


B×4PCS

Ø15×12mm

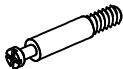


8.

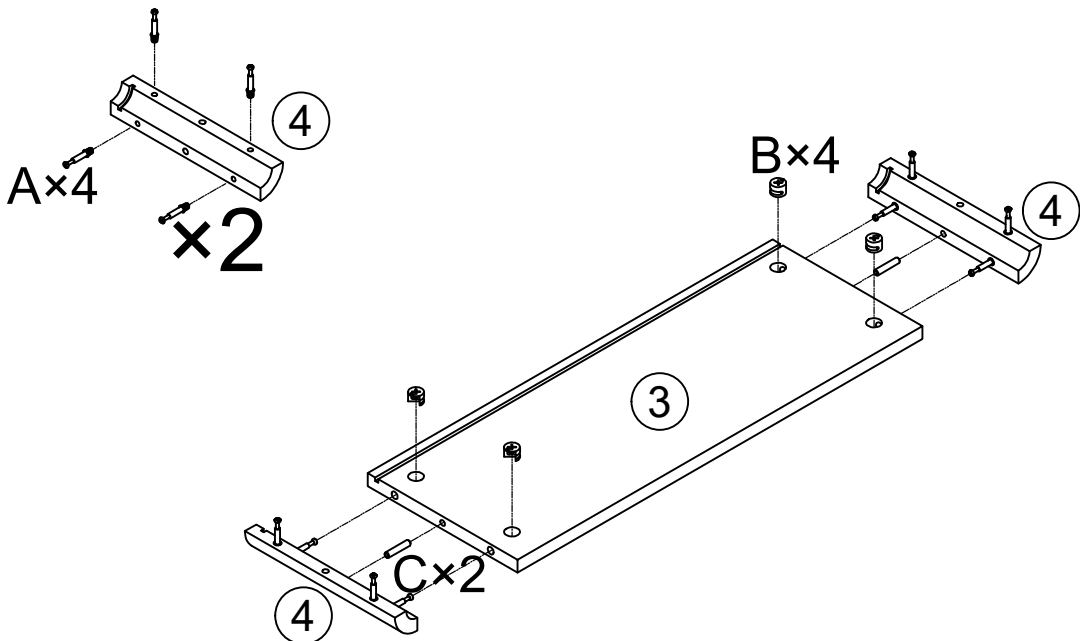





9.



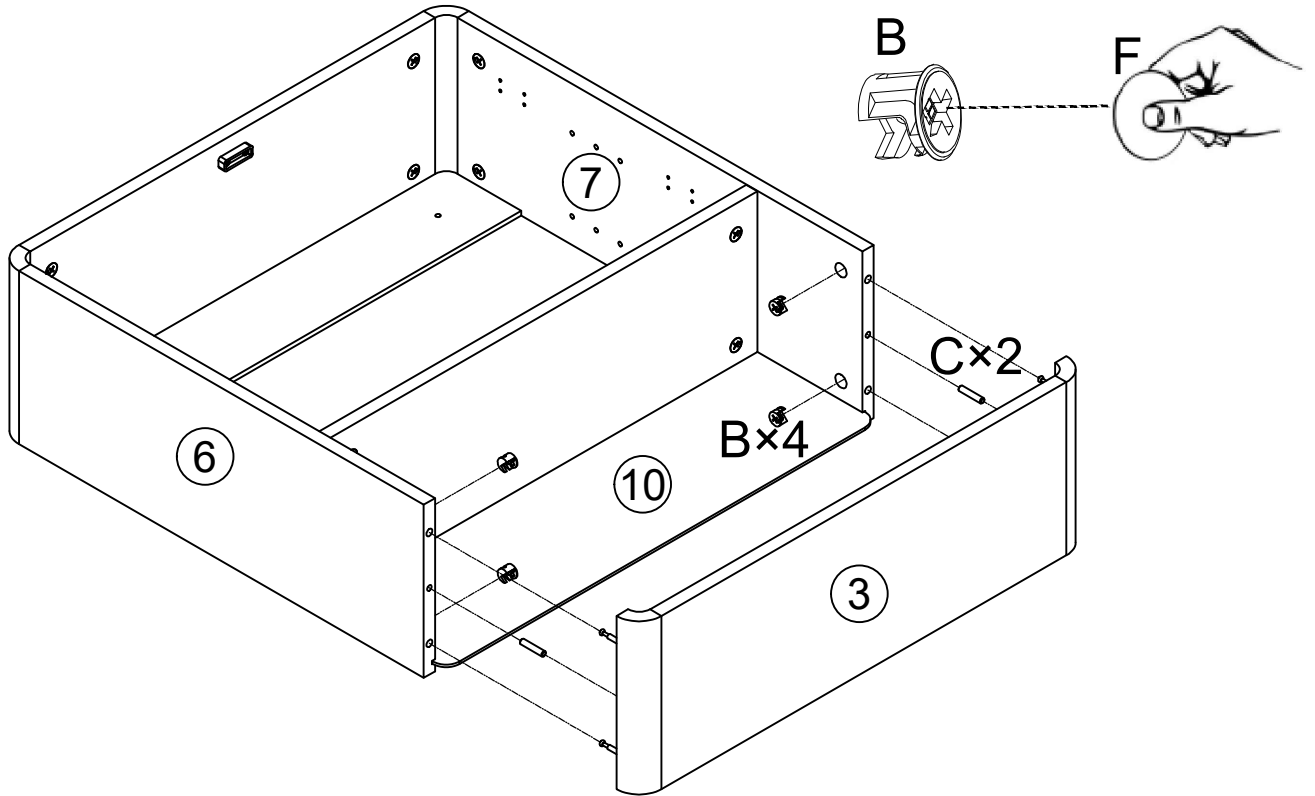
10.





A×8PCS	B×4PCS	C×2PCS
		
M6×35mm	Ø15×12mm	Ø6×30mm



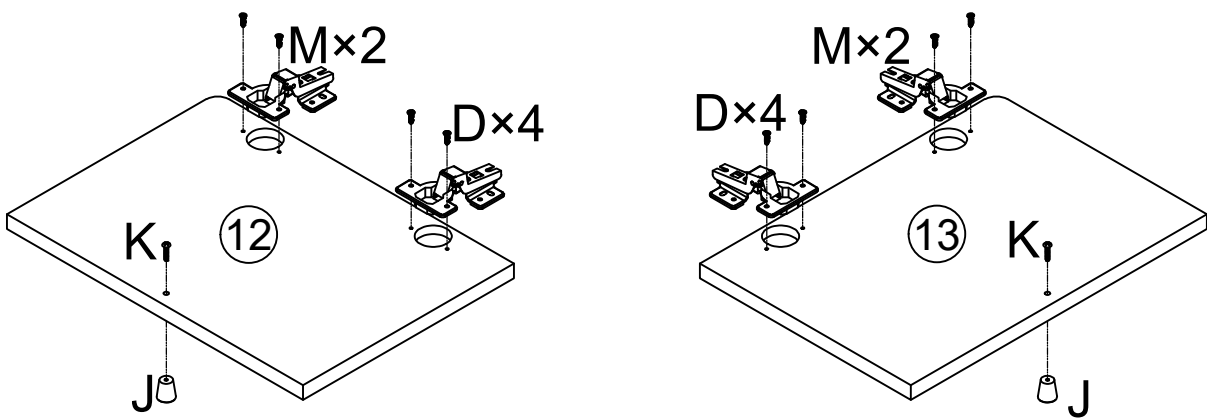
B×4PCS	C×2PCS	F×22PCS
		
Ø15×12mm	Ø8×30mm	

11.

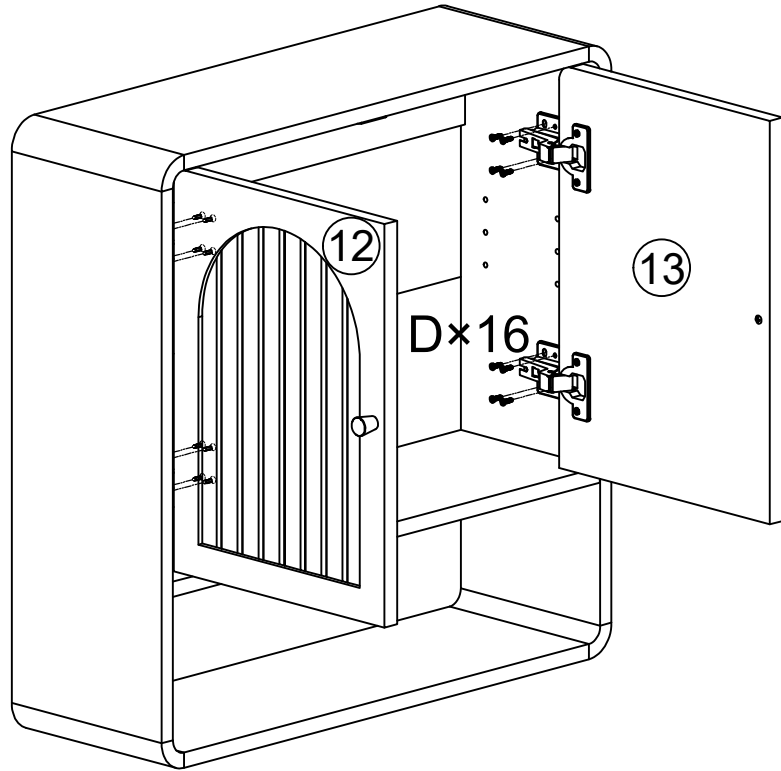


D×8PCS	M×4PCS	J×2PCS	K×2PCS
			
Ø3.5×14mm			M4×18mm

12.



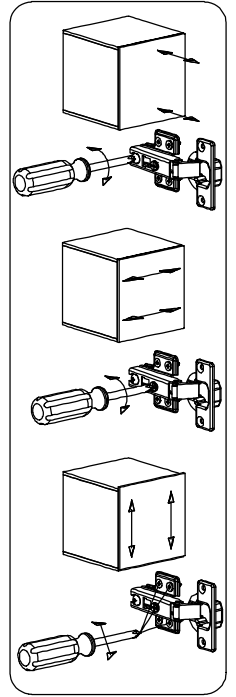
13.



D×16PCS



Ø3.5×14mm



14.

G×2PCS

H×2PCS

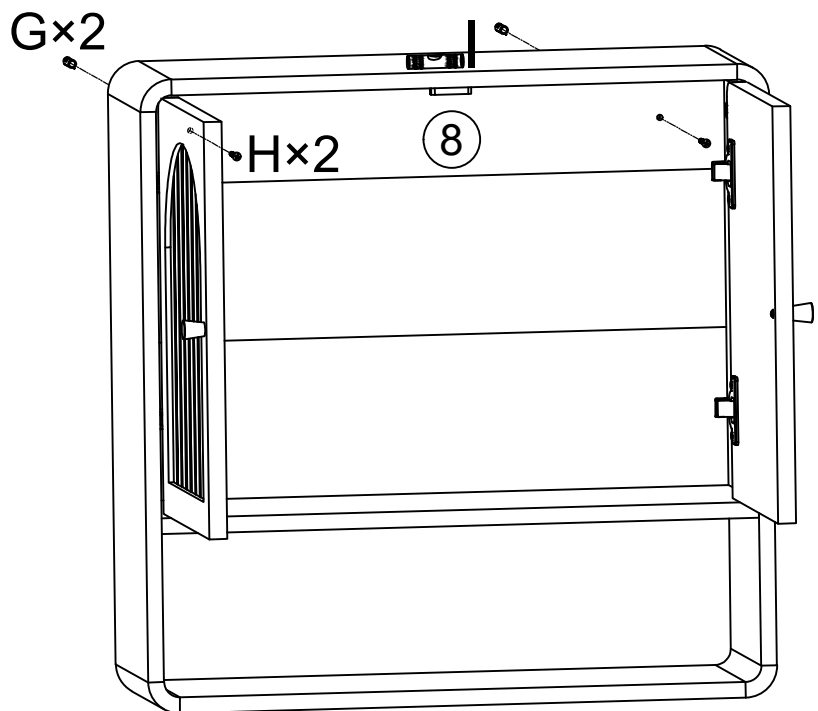
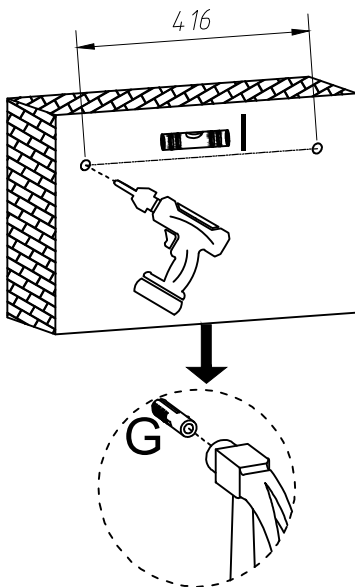
I×1PC



Ø6×30mm



Ø4×50mm

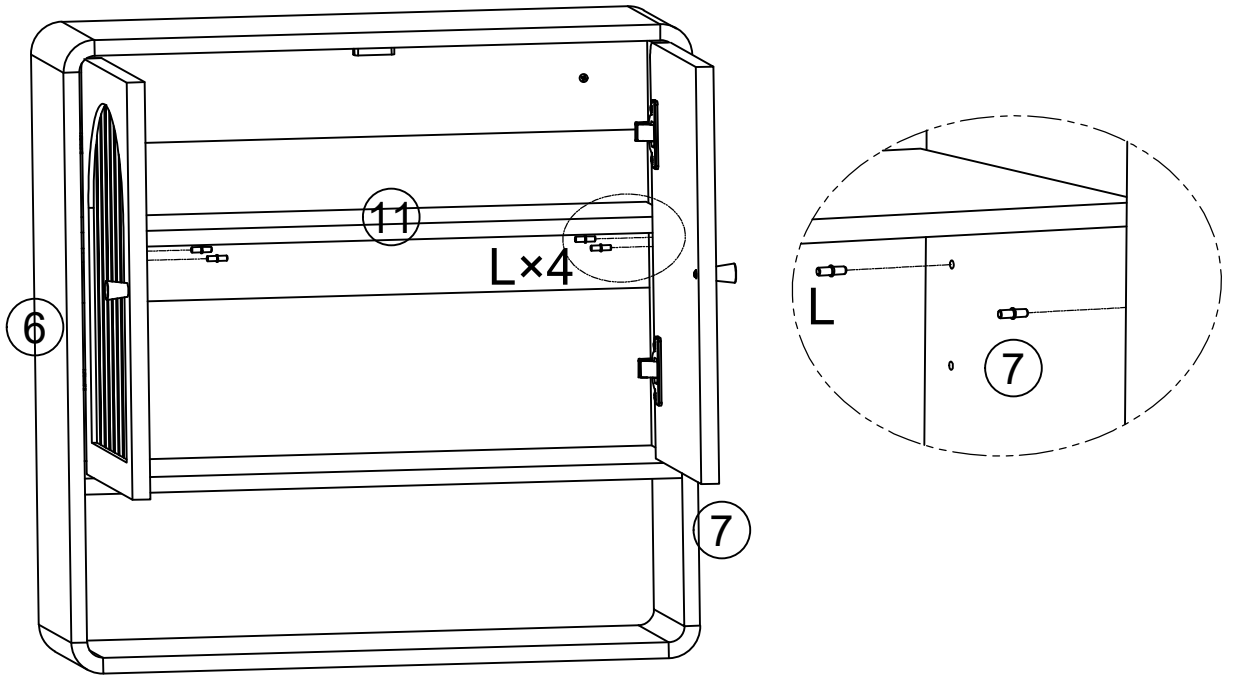


L×4PCS



Ø5×19mm

15.



16.

