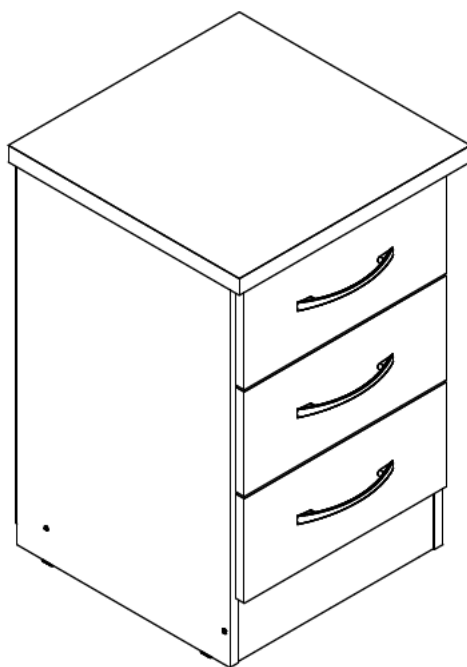


# ASSEMBLY INSTRUCTIONS



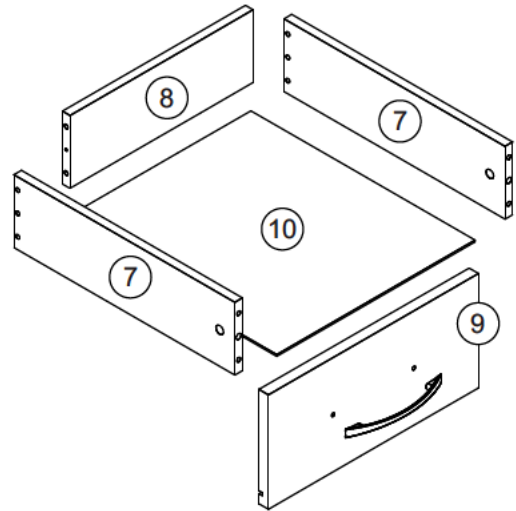
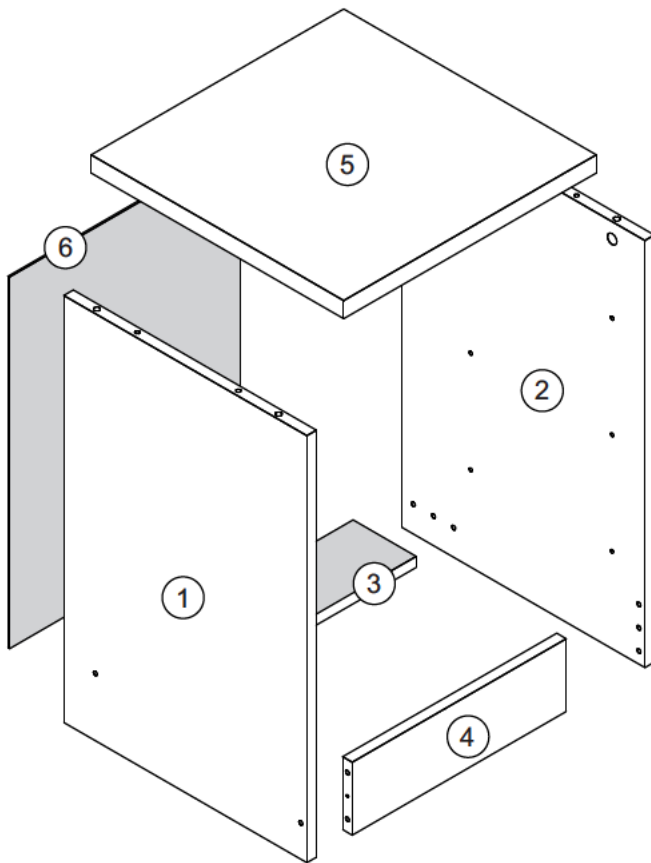
## **IMPORTANT FOR DOMESTIC USE ONLY**

**PLEASE READ BEFORE YOU CONTINUE FURTHER**

## **CARE AND MAINTENANCE**

After unpacking this product please keep the original packaging in case it needs to be returned for any reason.

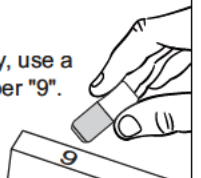
- Please ensure all fittings and parts are present before commencing with assembly.
- Never drag or push products as this could cause damage to the joints making it inferior.
- We strongly recommend that you keep children away from your work area.
- We recommend that you lay a blanket or sheet on the floor to avoid damage to both your floor and the product.
- Assemble this product as close to its final position as possible.
- Do not place this product next to a radiator or in direct sunlight.
- Do not drag or push items across your high gloss furniture as this may cause the surface to scratch
- Wood is a natural product and may expand if subjected to damp and may shrink or crack if subjected to heat. Therefore it is recommended that room temperature is maintained, with no sudden temperature fluctuations.
- Make sure any spillage is wiped off immediately.
- Do not place hot or chilled items directly on to the surface, use a place mat or marking will occur.
- For general cleaning use a soft cotton or micro fibre cloth, and do not use detergents of any kind.
- From time to time it may be necessary to tighten fittings, regular inspections should be carried out.
- Do not place on a wet or damp floor as staining may occur to your floor.



- \* Use of power tools to assemble this product will invalidate any claim and damage this product making it unsafe !!!
- \* Please assemble on a clean soft surface to avoid damage.
- \* Please check contents and read the instructions before commencing assembly.
- \* Assemble this product following the enclosed instructions carefully.
- \* Please take care to avoid damaging panels during assembly.



**TIP**  
If you wish, after assembly, use a rubber to erase part number "9".



## PARTS LIST







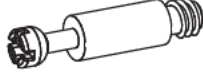





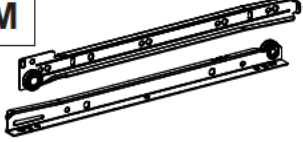
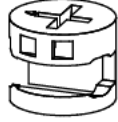
***Please Note:***

The below parts have all been stamped with the part number to help identify them during assembly.

<b>1</b>	Left Side Panel	x1
<b>2</b>	Right Side Panel	x1
<b>3</b>	Back Baseboard	x1
<b>4</b>	Front Baseboard	x1
<b>5</b>	Top Panel	x1

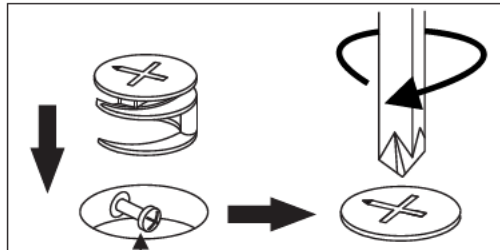
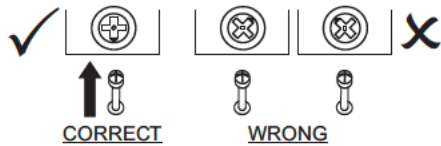
<b>6</b>	Back Panel	x1
<b>7</b>	Drawer Side	x6
<b>8</b>	Drawer Back Panel	x3
<b>9</b>	Drawer Front	x3
<b>10</b>	Drawer Bottom	x3

## FITTINGS LIST

<b>A</b>  Flat Head Screw Ø6,0 x 10mm (12x)	<b>B</b>  Flat Head Screw Ø4,0 x 14mm (18x)	<b>C</b>  Flan Head Screw Ø4,0 x 20mm (6x)	<b>D</b>  Flat Head Screw Ø4,0 x 50mm (10x)
<b>E</b>  Dowel Ø6,0 x 30mm (36x)	<b>F</b>  Nail 10 x 10 (42x)	<b>G</b>  Cam Bolt (10x)	<b>H</b>  Cam Nut Ø12mm (6x)
<b>I</b>  Plastic Foot (4x)	<b>J</b>  Hole Plugs (10x)	<b>K</b>  Glue (1x)	<b>L</b>  Handle (3x)
<b>M</b>  Drawer Runners (3x)	<b>N</b>  Cam Nut Ø15mm (4x)		

## TIPS FOR FITTINGS CAM-LOCKS

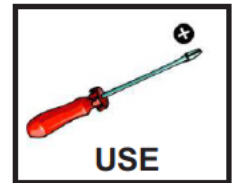
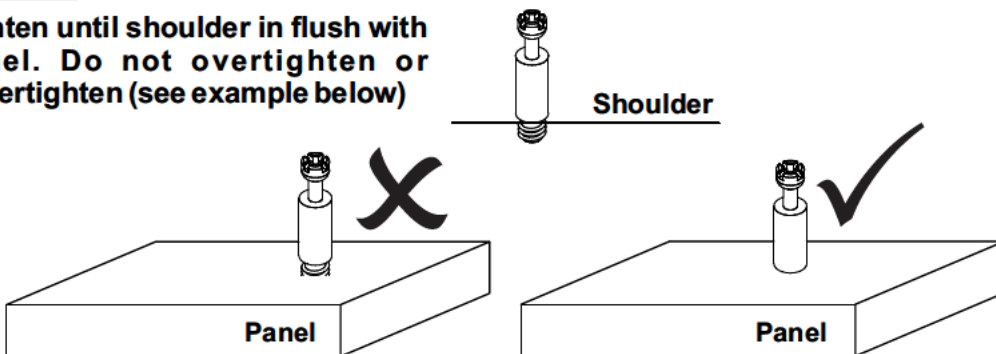
WHEN FITTING CAM NUT. ENSURE STARTING POSITION IS CORRECT BEFORE YOU INSERT CONNECTING CAM BOLT TURN CLOCKWISE UNTIL SECURE



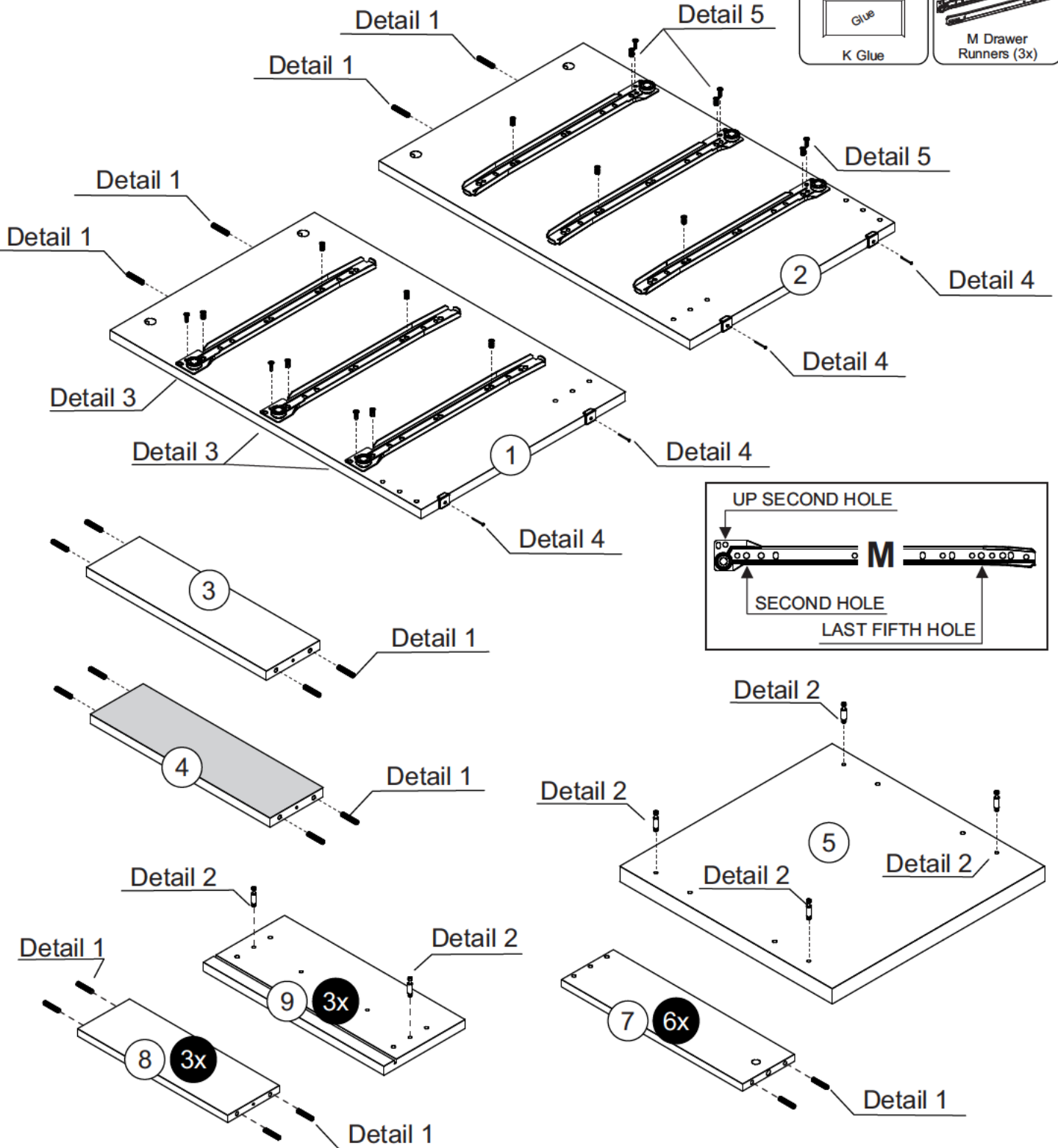
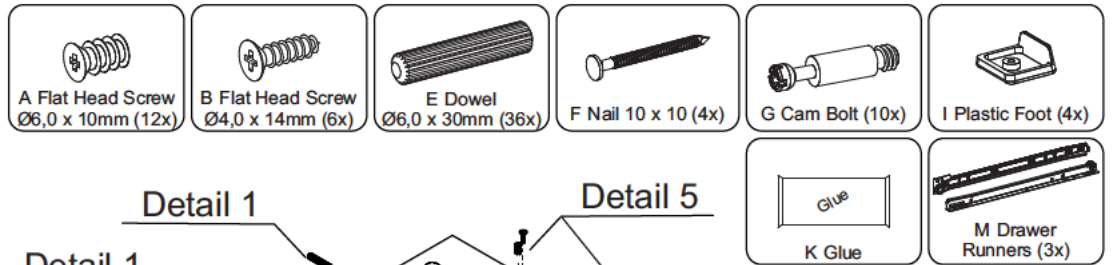
Cam bolt head needs to be in centre

### CAMBOLT

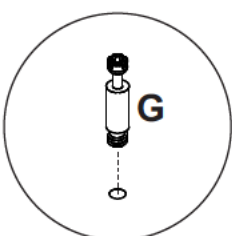
Tighten until shoulder in flush with panel. Do not overtighten or undertighten (see example below)



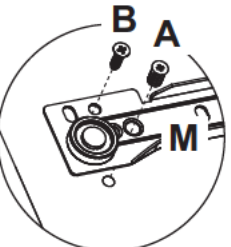
# Pre-Assembly



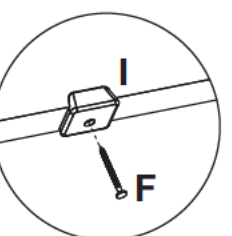
Detail 1



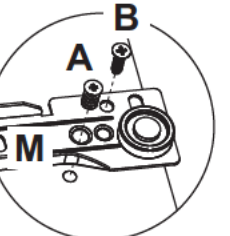
Detail 2



Detail 3

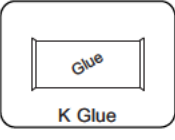
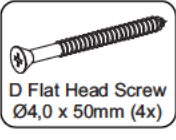


Detail 4

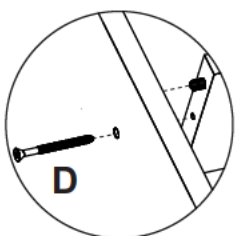


Detail 5

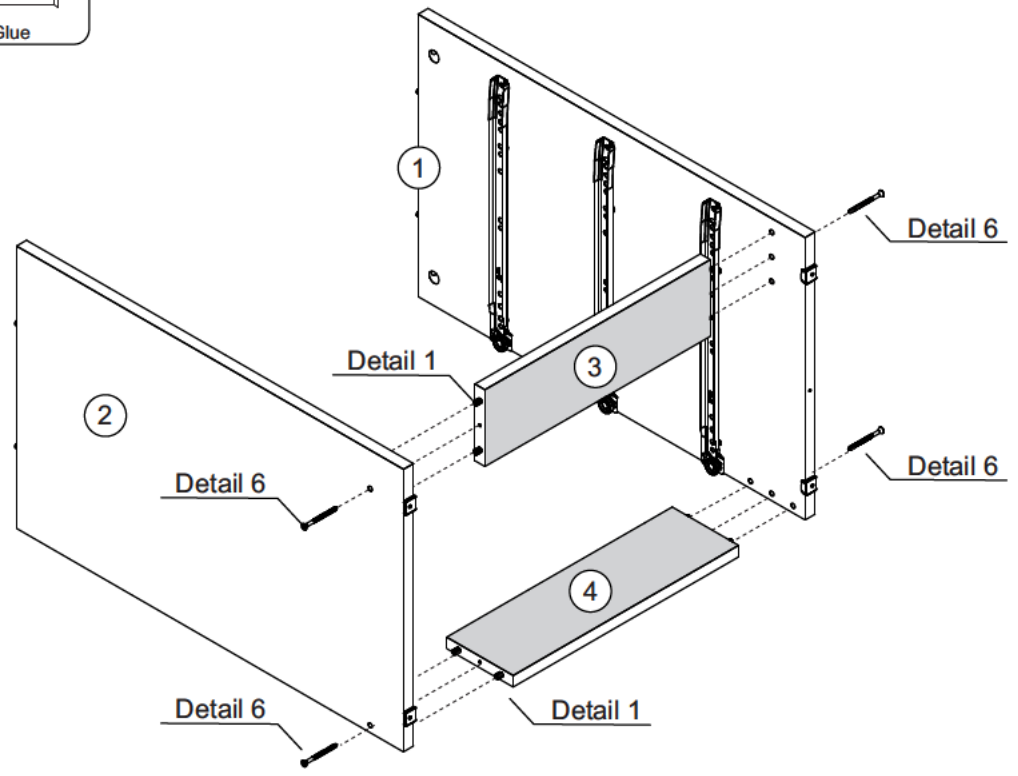
1



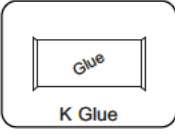
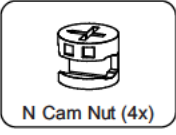
Detail 1



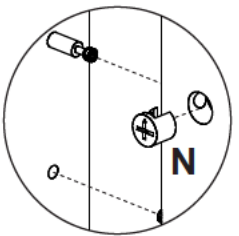
Detail 6



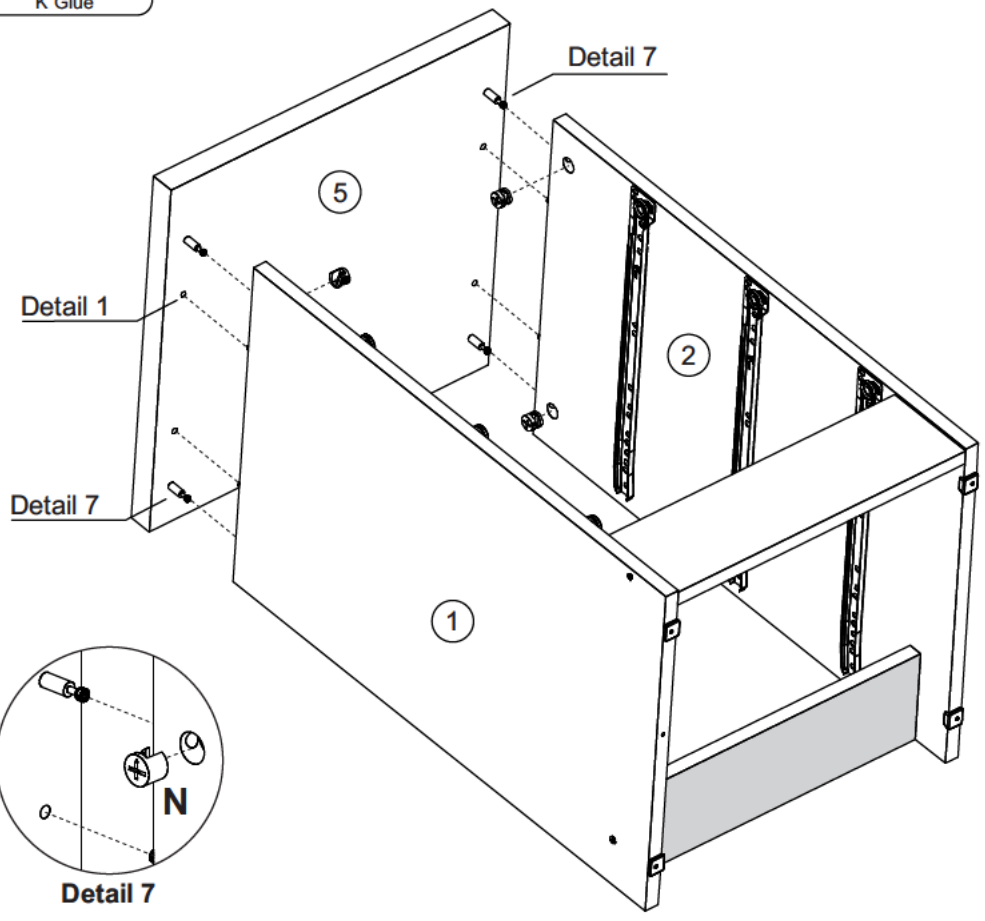
2



Detail 1



Detail 7

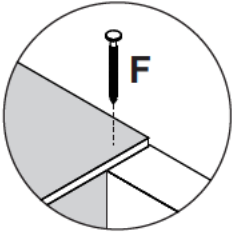
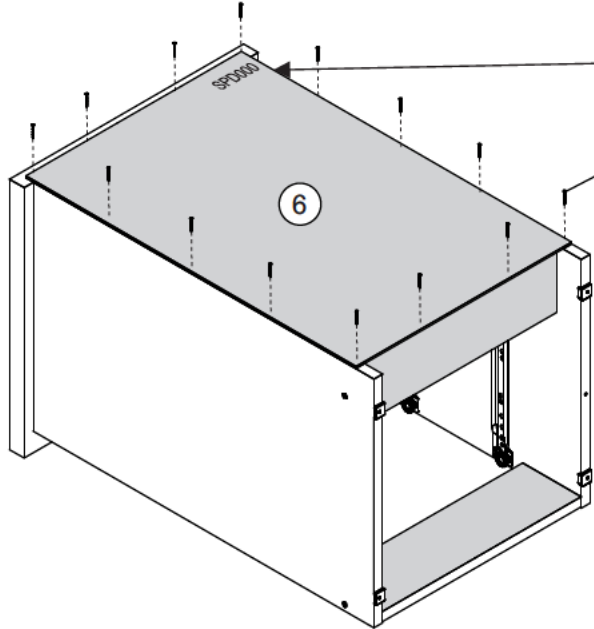


3



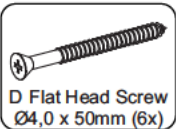
F Nail 10 x 10 (14x)

\* For your future reference  
Order Number should be here

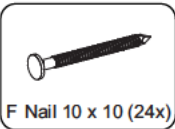


Detail 8

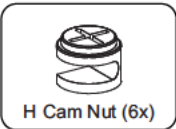
4



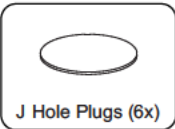
D Flat Head Screw Ø4,0 x 50mm (6x)



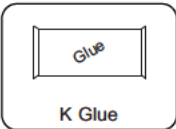
F Nail 10 x 10 (24x)



H Cam Nut (6x)



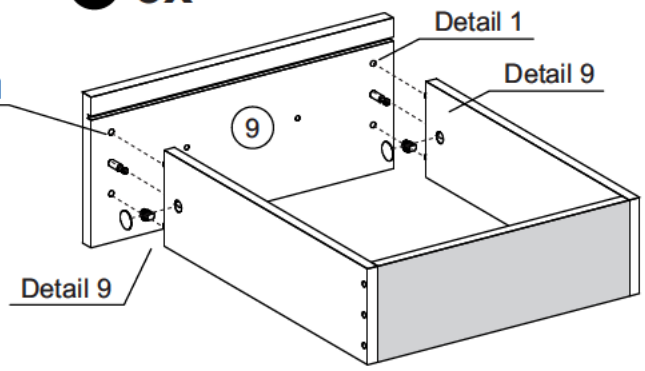
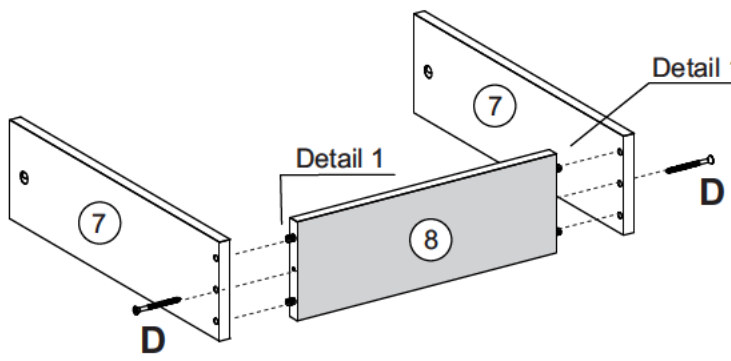
J Hole Plugs (6x)



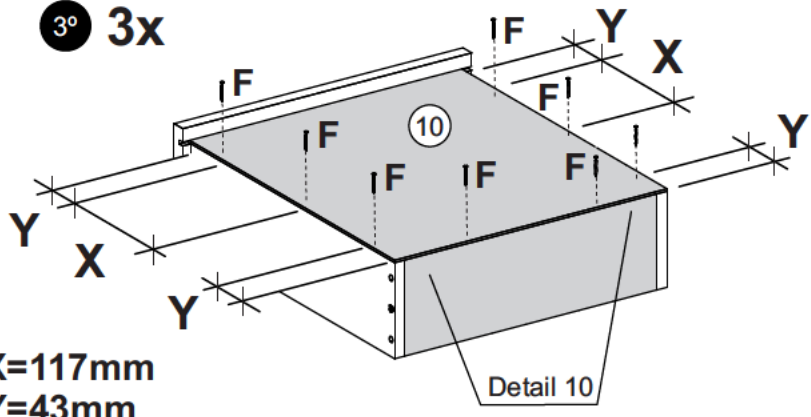
K Glue

1° 3x

2° 3x

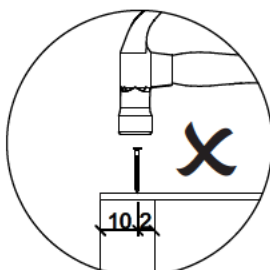
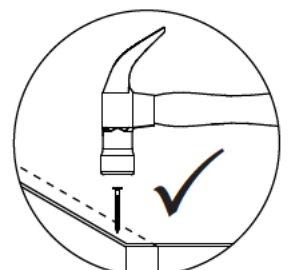
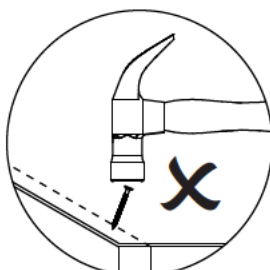


3° 3x

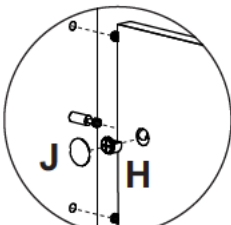


X=117mm  
Y=43mm

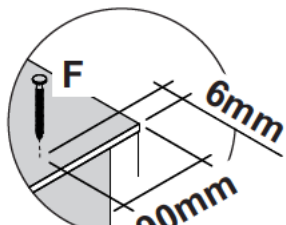
**TIPS FOR FIXING  
DRAWER BOTTOMS**



Detail 1

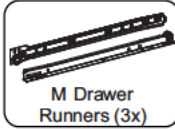
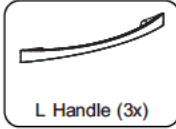
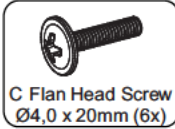
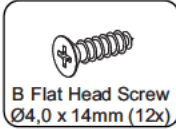


Detail 9

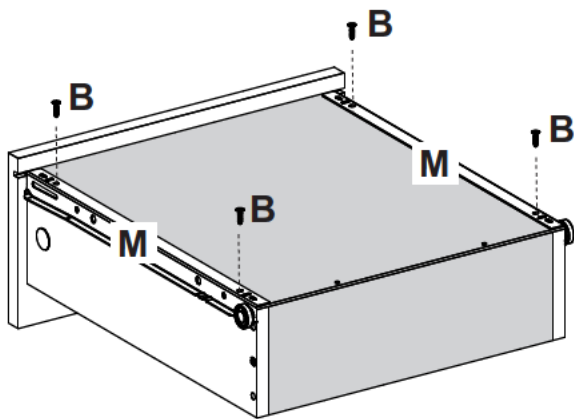


Detail 10

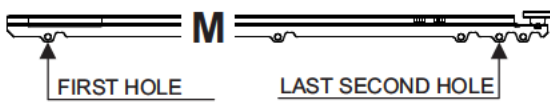
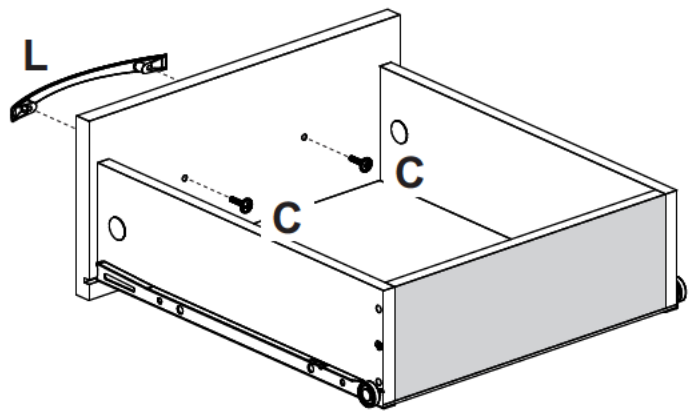
5



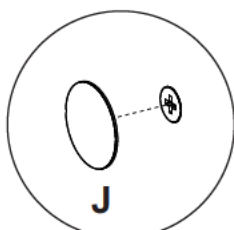
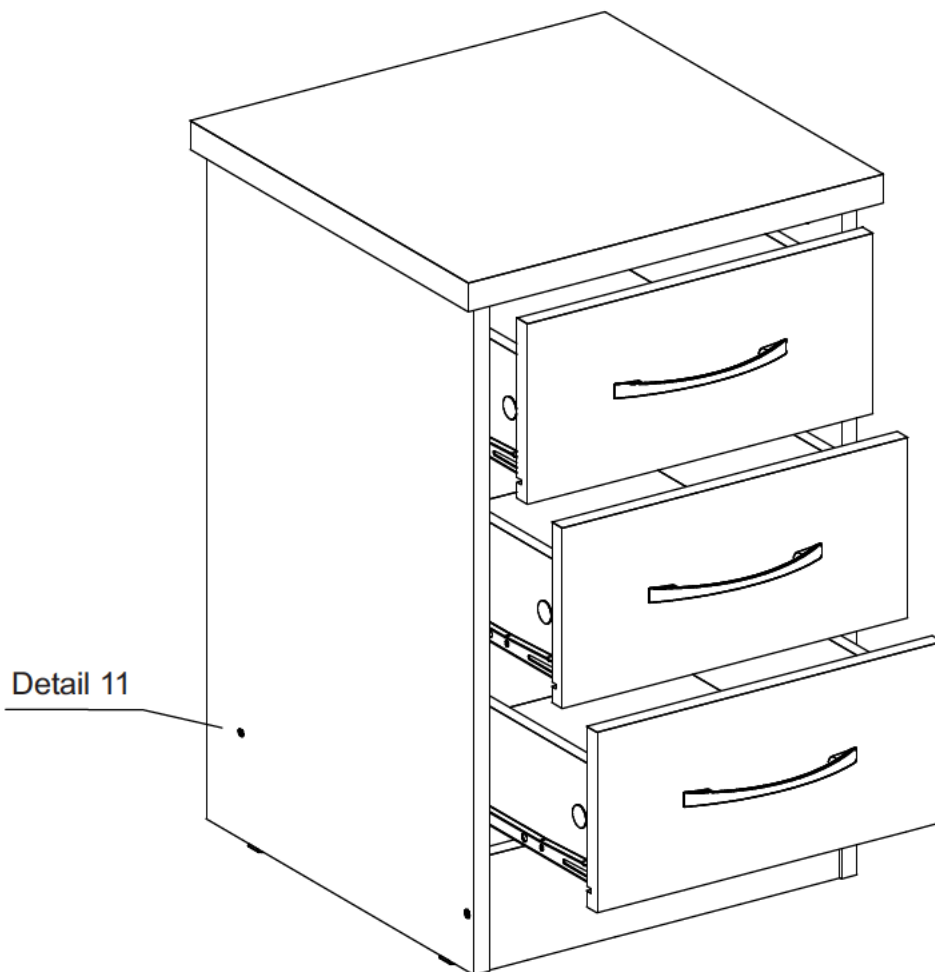
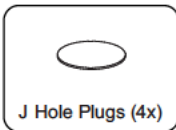
4° 3x



5° 3x



6



Detail 11