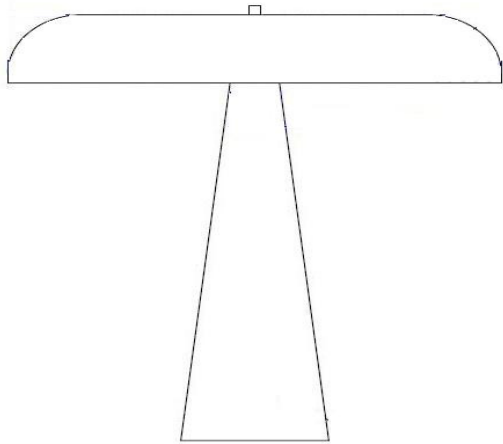


PARTS ENCLOSED:

ITEM	DESCRIPTION	QTY.
(A)	Lamp Base	1
(B)	Metal Shade	1
(C)	Metal Finial	1
(D)	Bulb	2



IMPORTANT SAFETY INSTRUCTIONS:

1. This portable lamp has a polarized plug (one blade is wider than the other) as a feature to reduce the risk of electric shock. This plug will fit in a polarized outlet only one way. If the plug does not fit fully in the outlet, reverse the plug. If it still does not fit, contact a qualified electrician. Never use with an extension cord unless plug can be fully inserted. Do not attempt to defeat this safety features.
2. It is recommended to use 2 x 5 Watt Type A LED bulb.
3. To avoid the risk of fire donot exceed the recommended wattage.
4. The manufacturer and distributor accept no liability for incorrect installation.
5. For indoor use only.
6. Keep away from children.

WARNINGS:

Please read all instructions completely before installation.

TO ASSEMBLE:

1. Carefully unpack the lamp. Do not discard any material till assembly is complete.
2. Stand lamp on the flat surface
3. Place the Metal Shade on to the lamp base by aligning to the threaded post and tighten the same with the help of Metal Finial.
4. Insert 2 x 5 Watt Type A LED Bulbs (included) into the socket.
5. Insert the polarized plug in the outlet & turn on the power, to test the lamp

CAREINSTRUCTIONS:

To clean, use a soft dry cloth only. Donot use any chemical or abrasive cleaners.