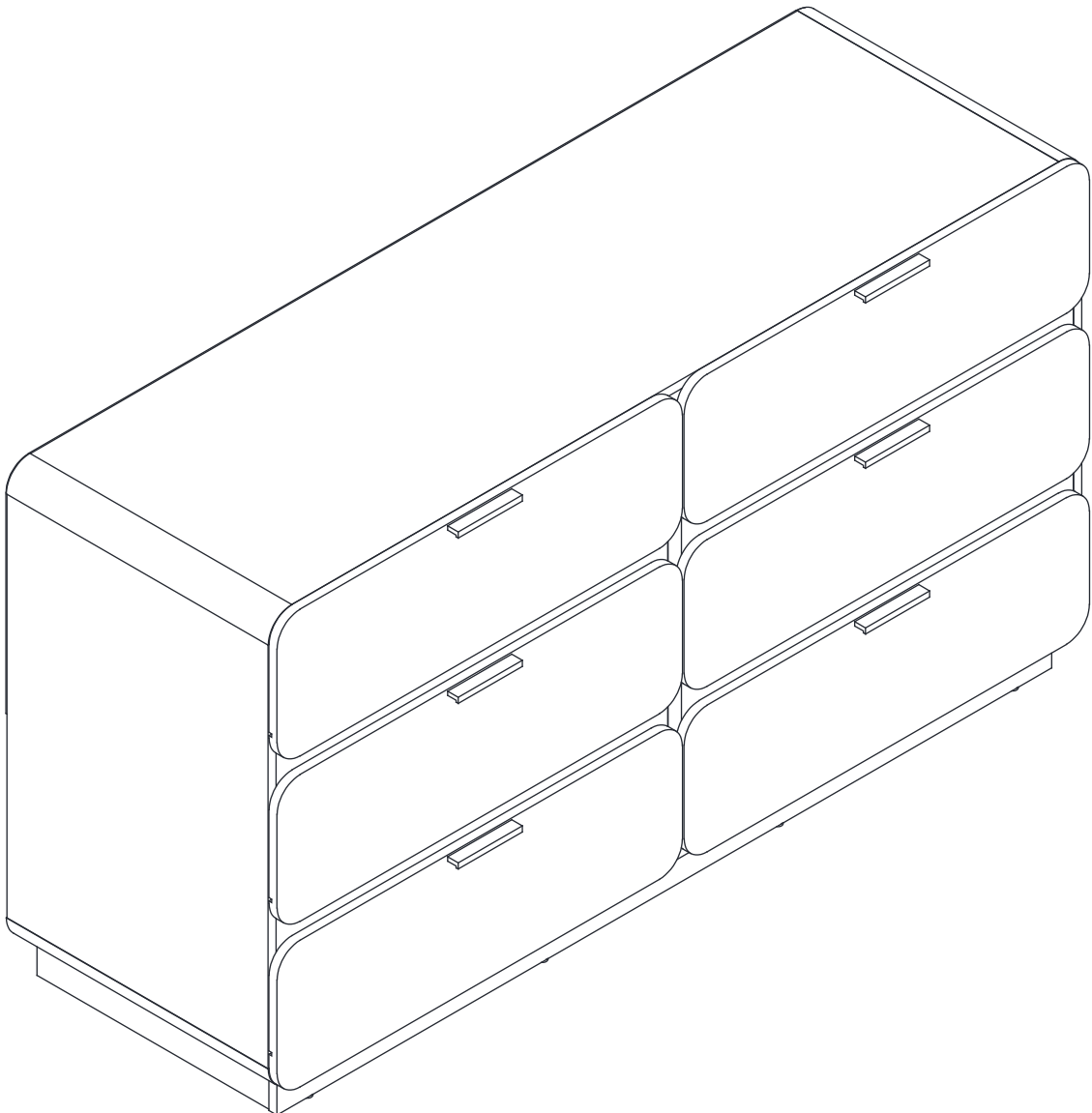




# MANHATTAN COMFORT

---

## DR1606



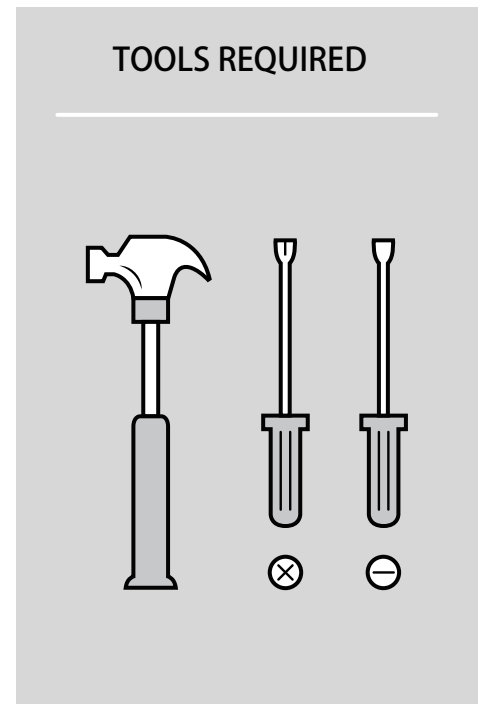
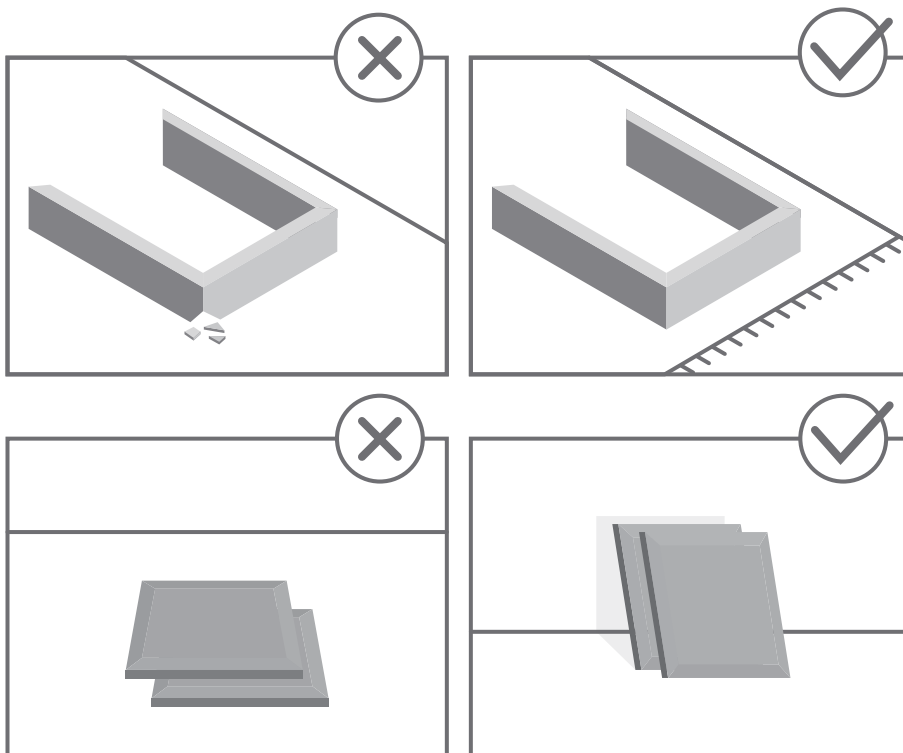


# STOP!

Before beginning the assembly process, ensure all boxes and parts have been delivered.

## FOR BEST RESULTS:

- Do not throw away packaging materials until assembly is complete.
- Assemble item on a soft surface, such as cardboard or carpet, to protect finish.
- Proper assembly requires two people.



View our assembly video online:  
[WWW.MANHATTANCOMFORT.COM](http://WWW.MANHATTANCOMFORT.COM)



Stuck? Question? We are here to help.  
tel: 908-888-0818  
e-mail: [help@manhattancomfort.com](mailto:help@manhattancomfort.com)

Support Site



# Included in this package:

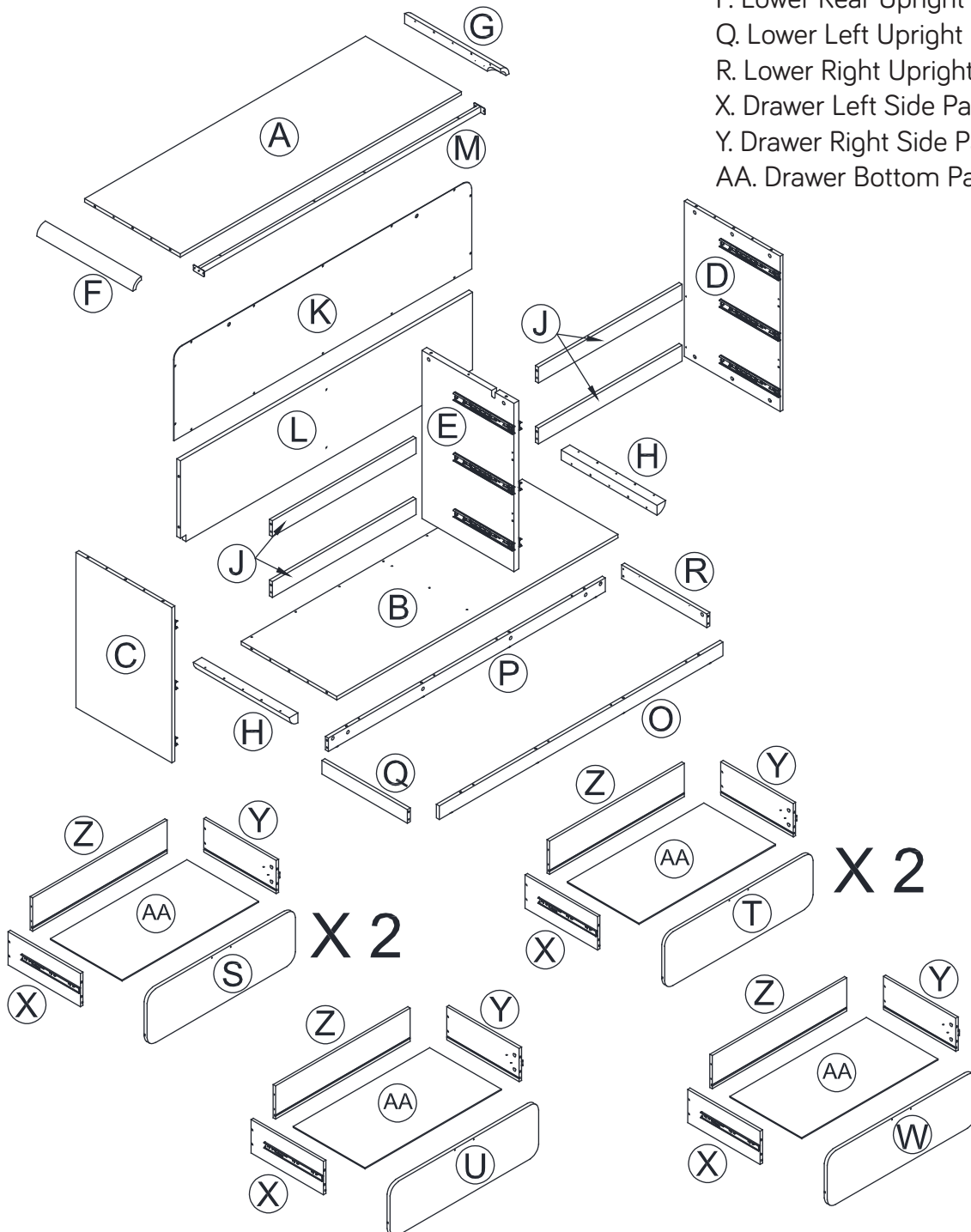
## BOX02/02

- C. Left Side Panel (1)
- D. Right Side Panel (1)
- E. Central Side Panel (1)
- S. Upper Left Drawer Front Panel (2)
- T. Upper Right Drawer Front Panel (2)
- U. Lower Left Drawer Front Panel (1)
- W. Lower Right Drawer Front Panel (1)
- Z. Drawer Back Panel (6)

**ALL HARDWARE ARE IN BOX 02/02**

## BOX 01/02

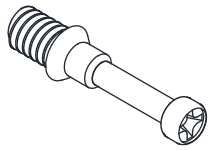
- A. Top Panel (1)
- B. Bottom Panel (1)
- F. Panel Left Upright (1)
- G. Panel Right Upright (1)
- H. Bottom Panel Left & Right Uprights (2)
- J. Central Front Connector Plate (4)
- K. Upper Back Panel (1)
- L. Lower Back Panel (1)
- M. Upper Connecting Tube (1)
- O. Lower Front Upright (1)
- P. Lower Rear Upright (1)
- Q. Lower Left Upright (1)
- R. Lower Right Upright (1)
- X. Drawer Left Side Panel (6)
- Y. Drawer Right Side Panel (6)
- AA. Drawer Bottom Panel (12)



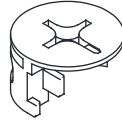
# Hardware Identification

---

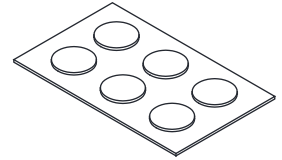
① CAM SCREW - 74PCS



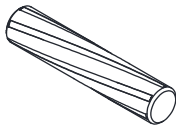
② HIDDEN CAM - 74PCS



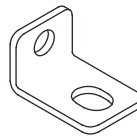
③ APPLIQUE CARD - 13PCS



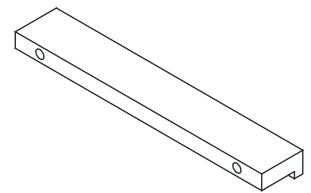
④ WOOD DOWEL - 41PCS



⑤ BRACKET - 4PCS



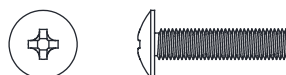
⑥ PULL - 6PCS



⑦ PAN HEAD SCREW  
M5\*35mm - 36PCS



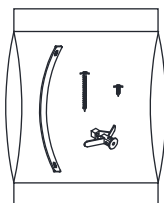
⑧ PAN HEAD SCREW  
M4\*18mm - 12PCS

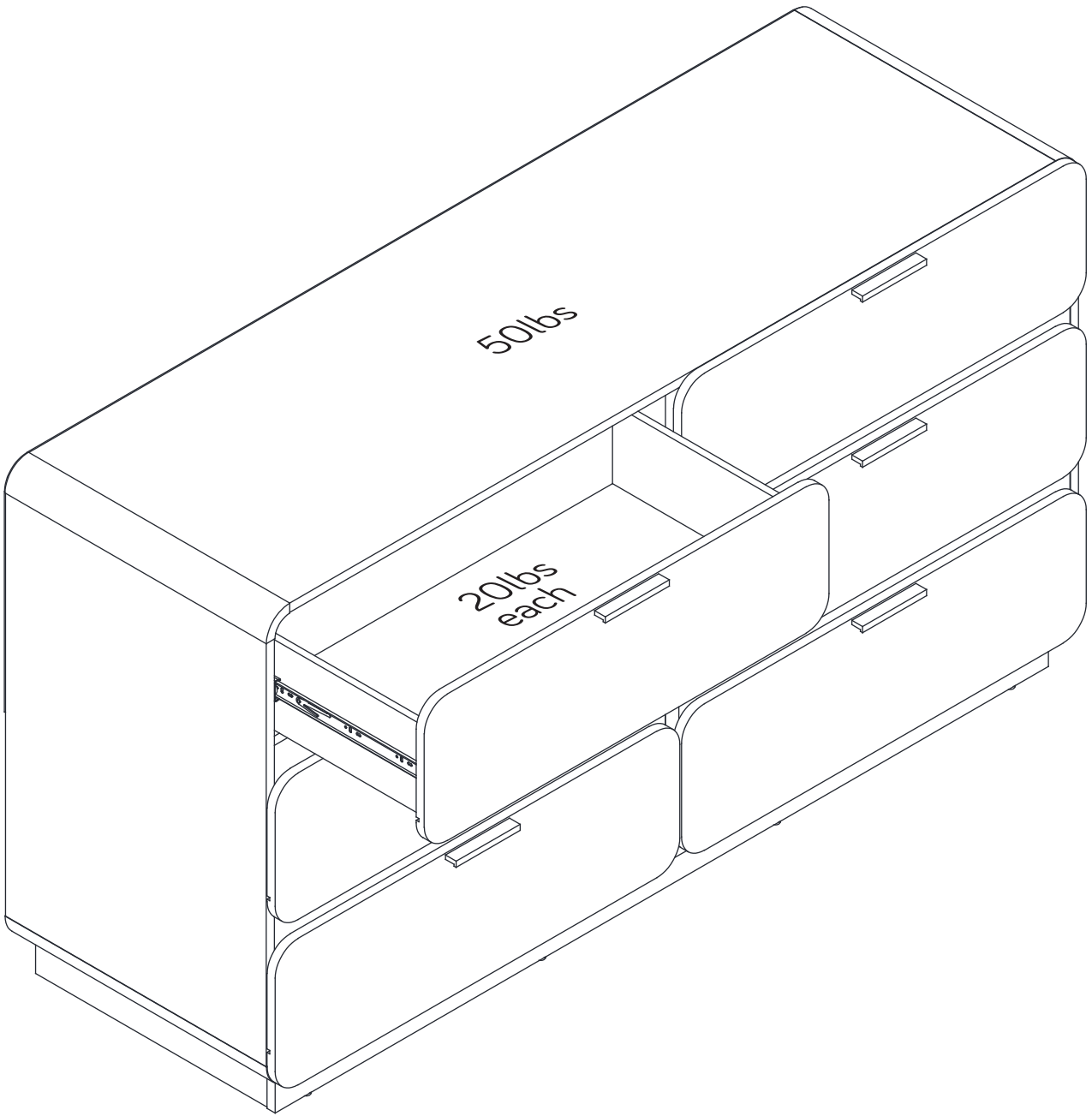


⑨ PAN HEAD SCREW  
M4\*12mm - 26PCS



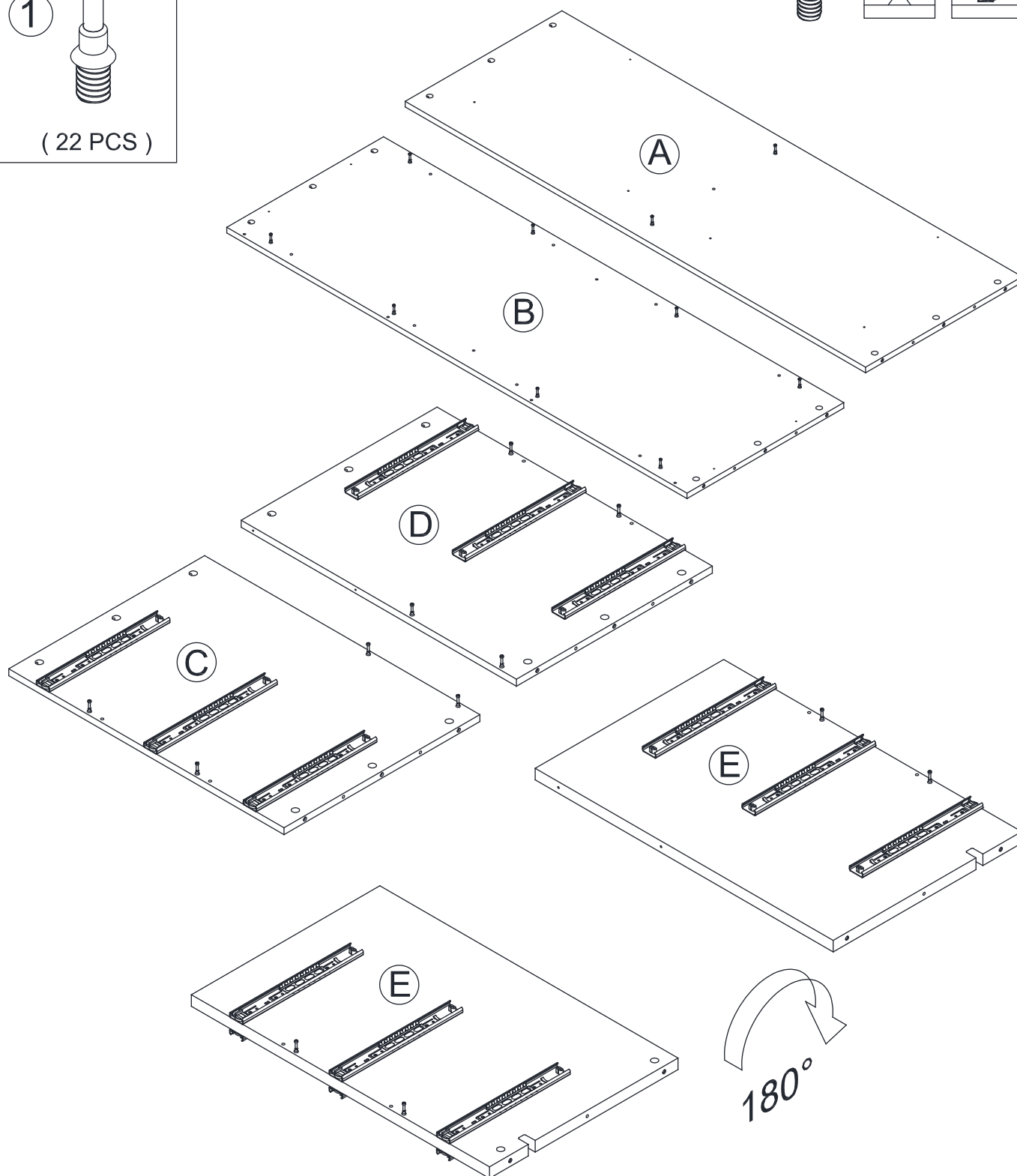
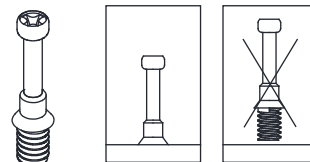
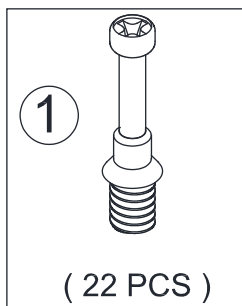
⑨⑥ FURNITURE TIPPING  
RESTRAINI KIT - 2PCS





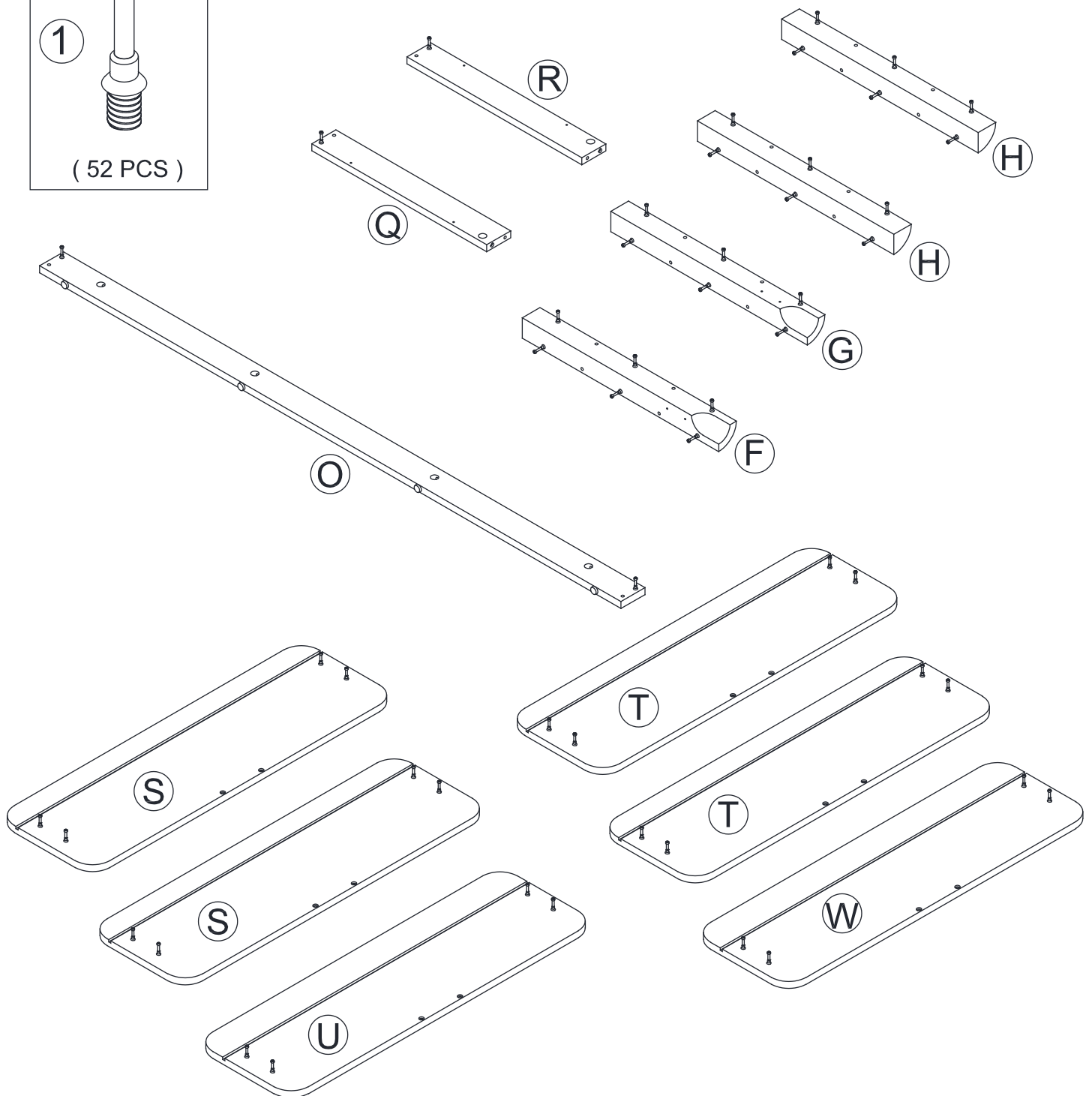
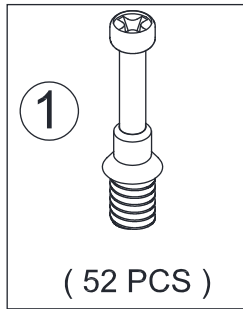
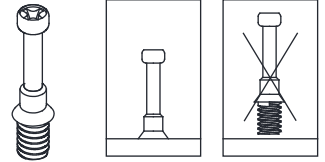
# Step 1

- ◆ Install 22 Cam Screws (1) onto the Top Panel (A), Bottom Panel (B), Left and Right Side Panels (C, D), and Central Side Panel (E).



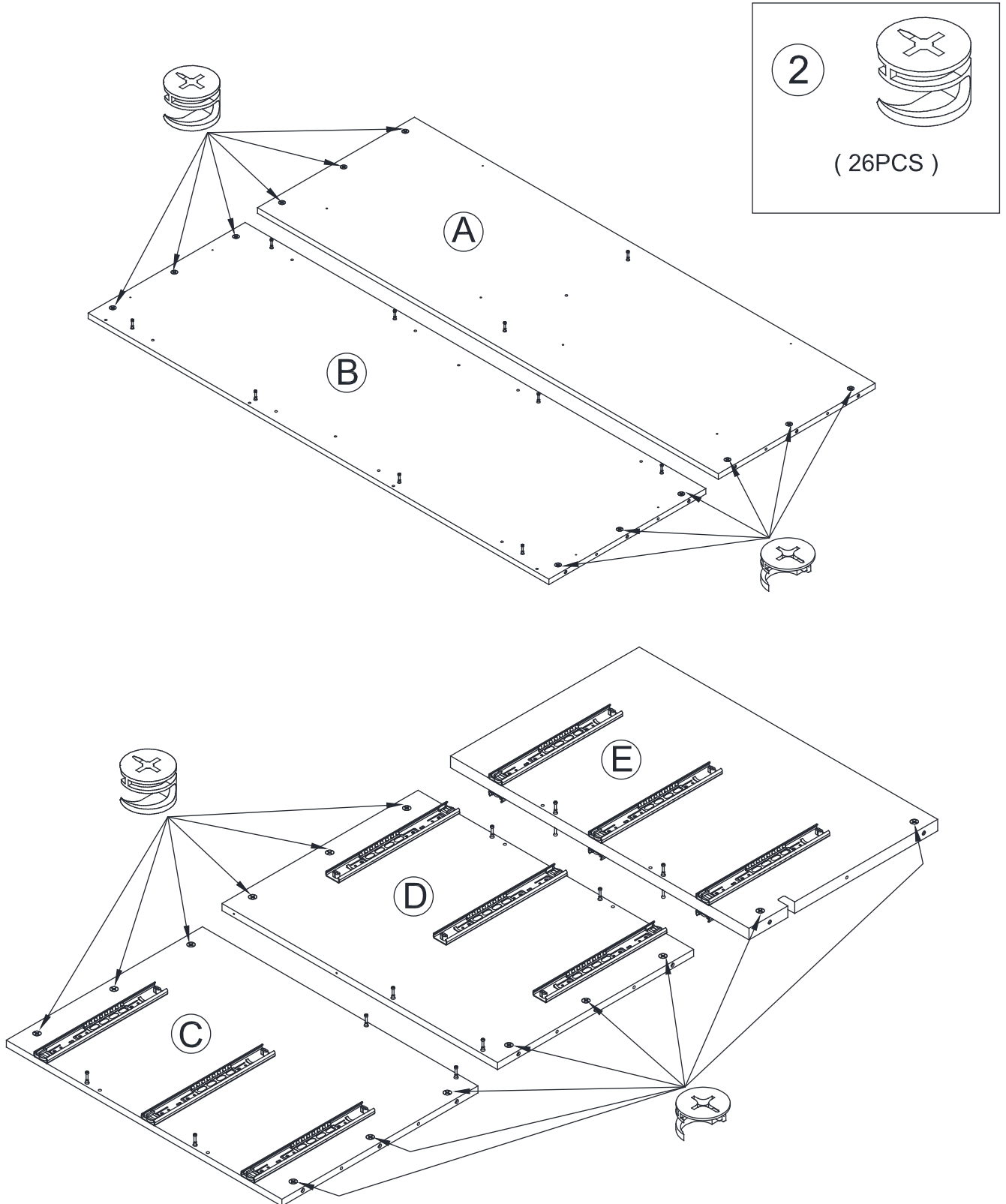
# Step 2

- Secure 52 Cam Screws (1) onto the Lower Left and Right Uprights (Q, R), Lower Front Upright (O), Panel Left and Right Uprights (F, G), Bottom Panel Left and Right Uprights (H), and the Drawer Front Panels (S, T, U, W).



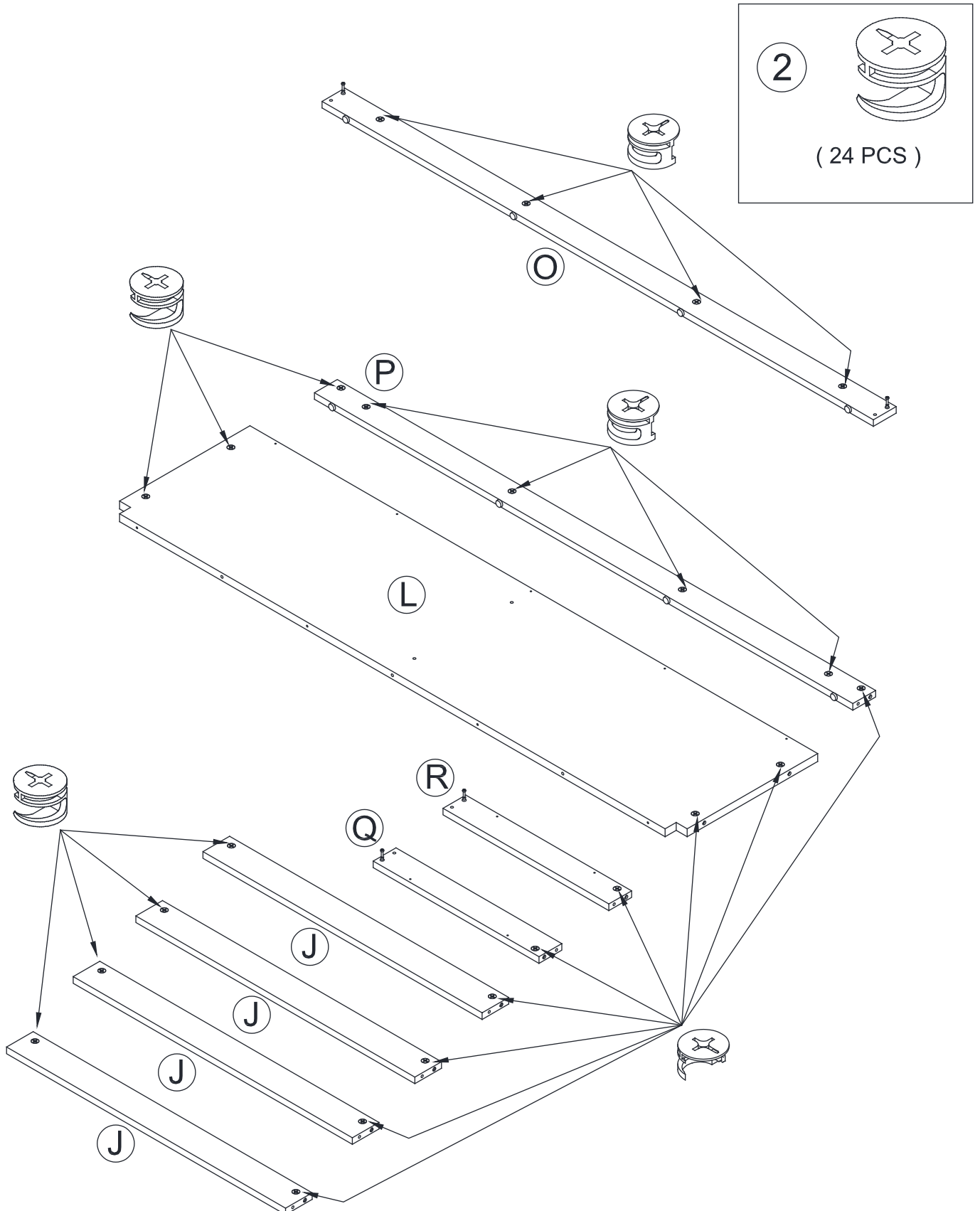
# Step 3

- ◆ Attach 26 Hidden Cam (2) onto the Top Panel (A), Bottom Panel (B), Left and Right Side Panels (C, D), and Central Side Panel (E).



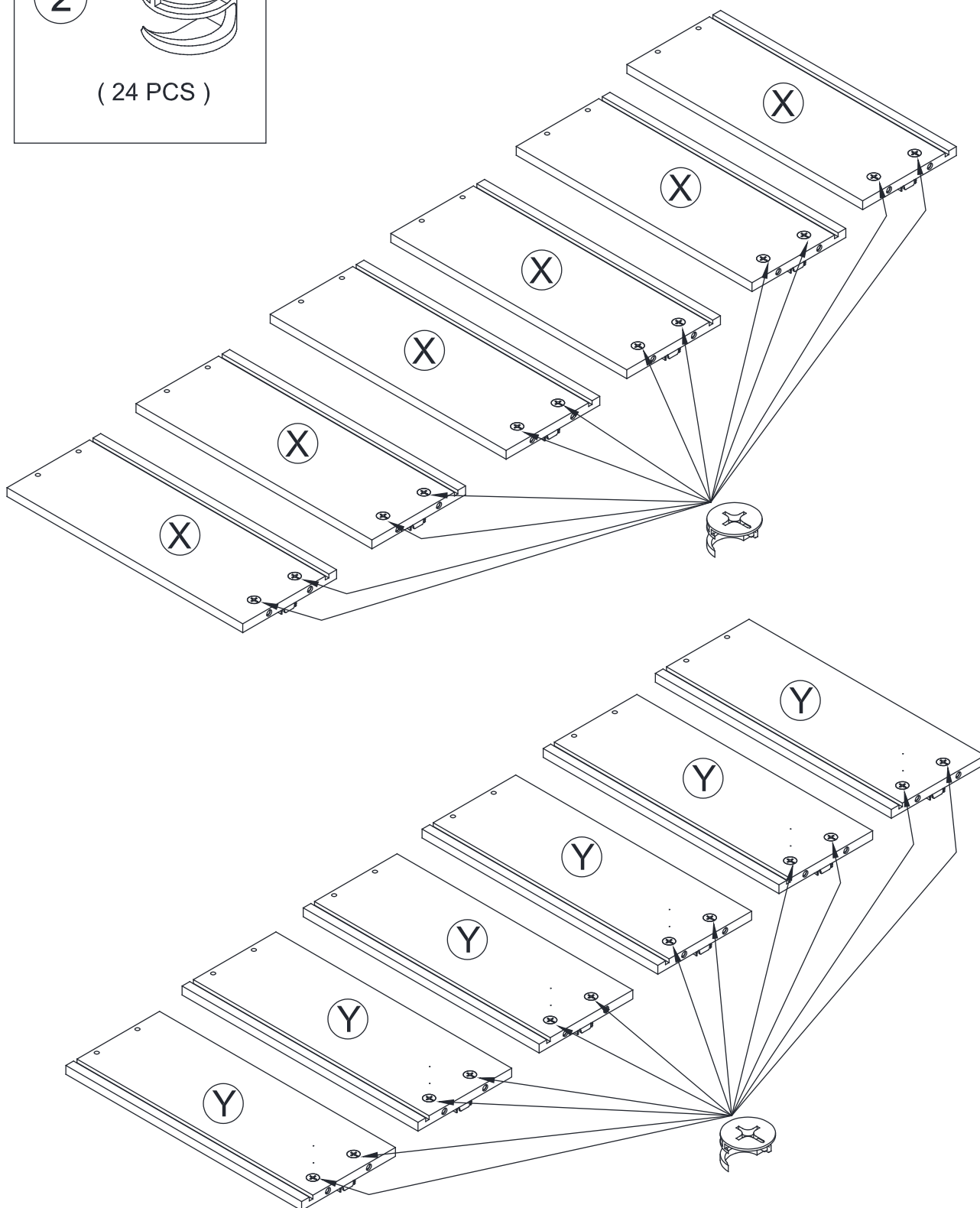
# Step 4

- ◆ Install 24 Hidden Cam (2) onto the Lower Front and Rear Uprights (O, P), Lower Back Panel (L), Lower Left and Right Uprights (Q, R), and the Central Front Connector Plate (J).



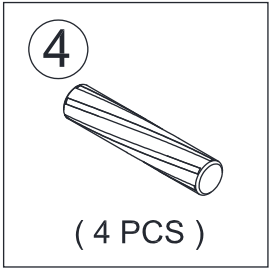
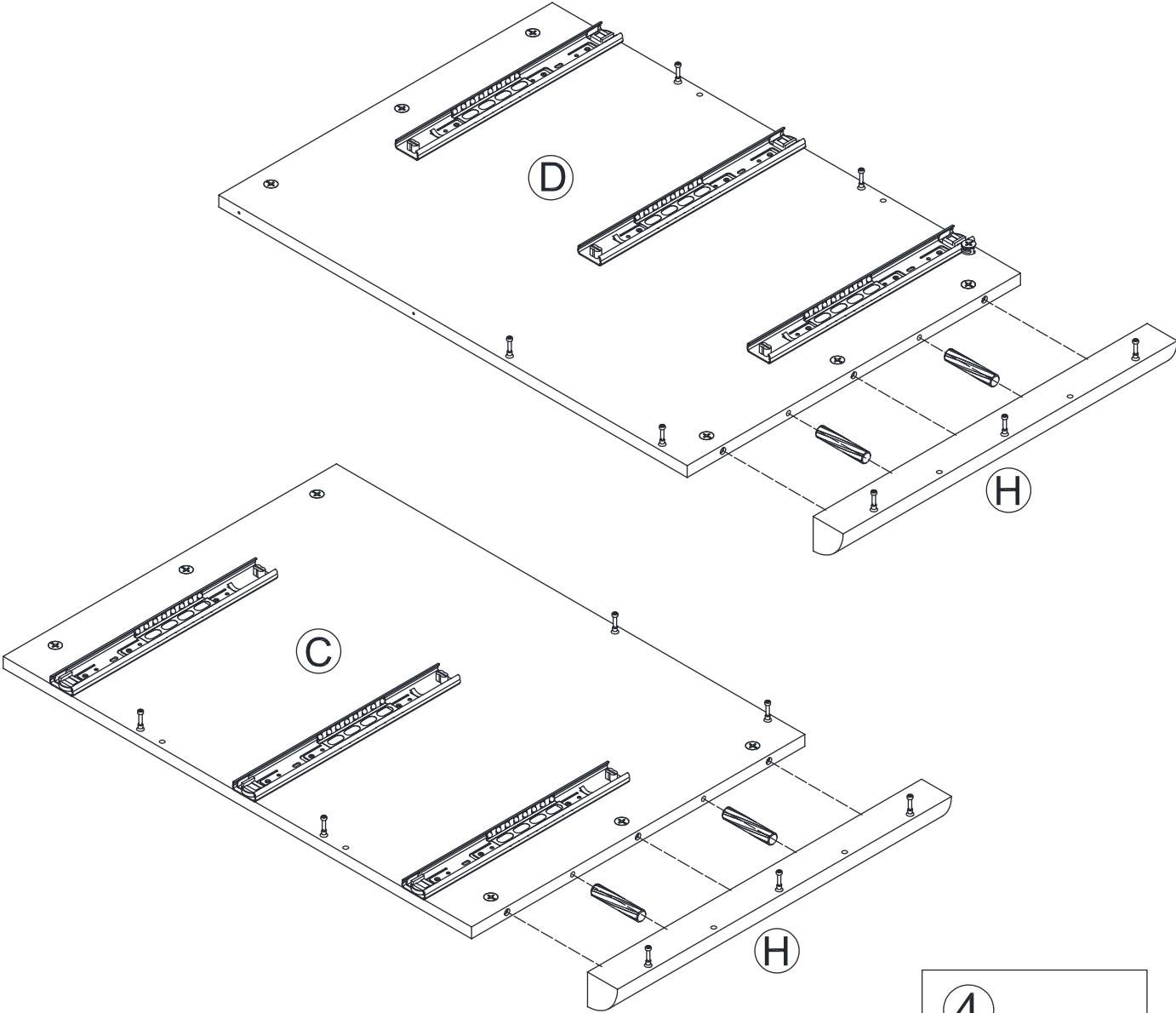
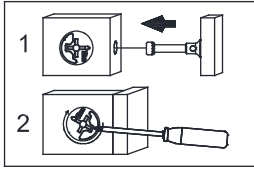
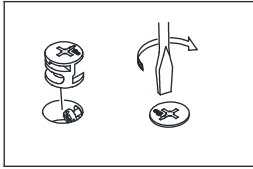
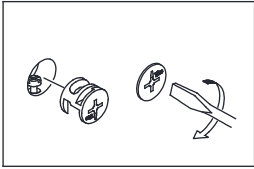
# Step 5

- ◆ Secure 24 Hidden Cam (2) onto the Drawer Left and Right Side Panels (X, Y).



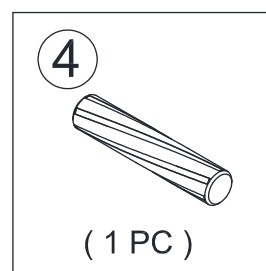
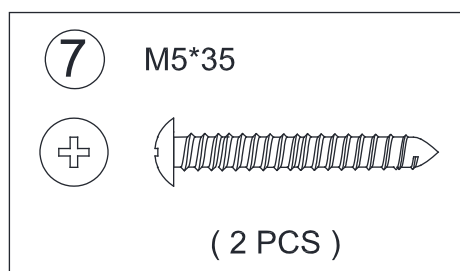
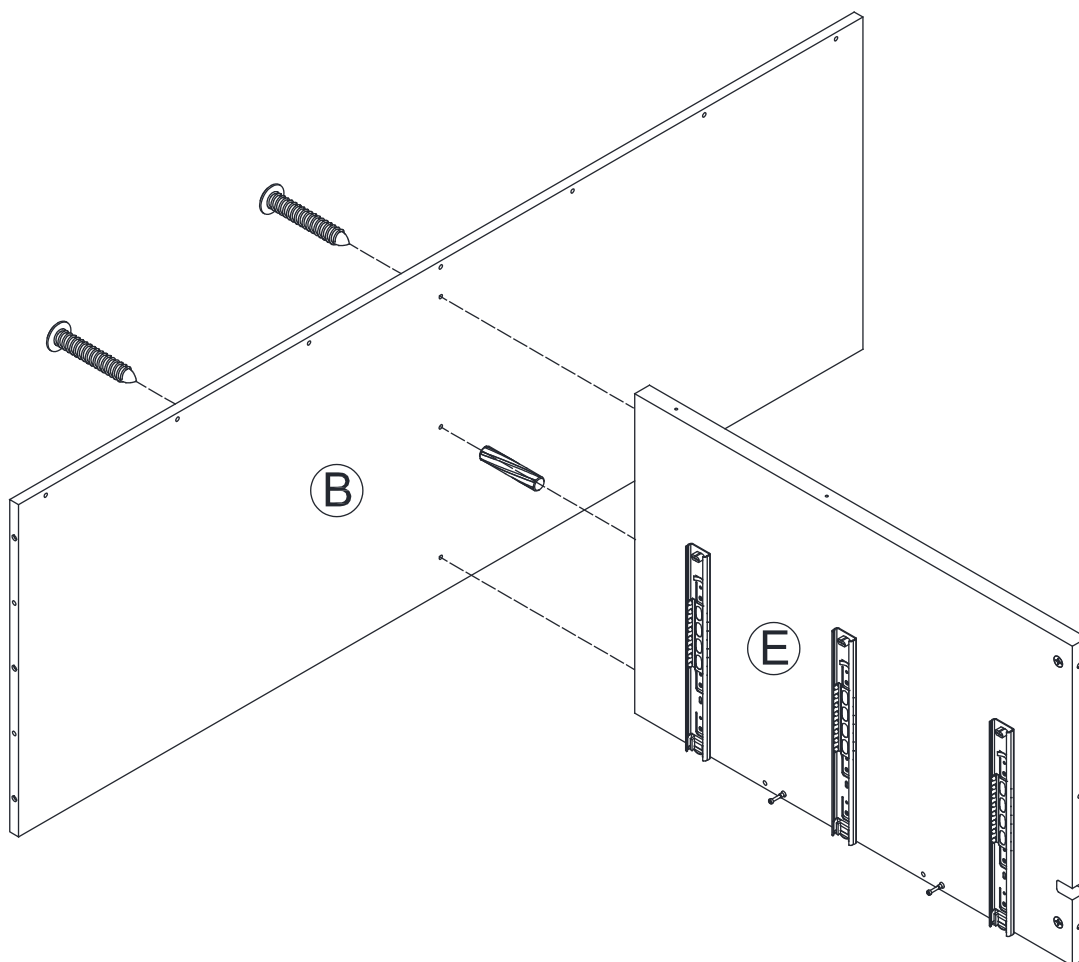
# Step 6

- ◆ Fix the Bottom Panel Left and Right Uprights (H) to the Left and Right Side Panels (C, D) using Wood Dowel (4) and connectors.



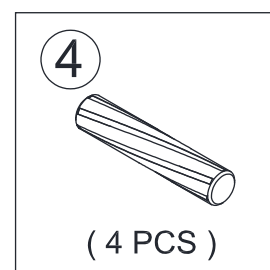
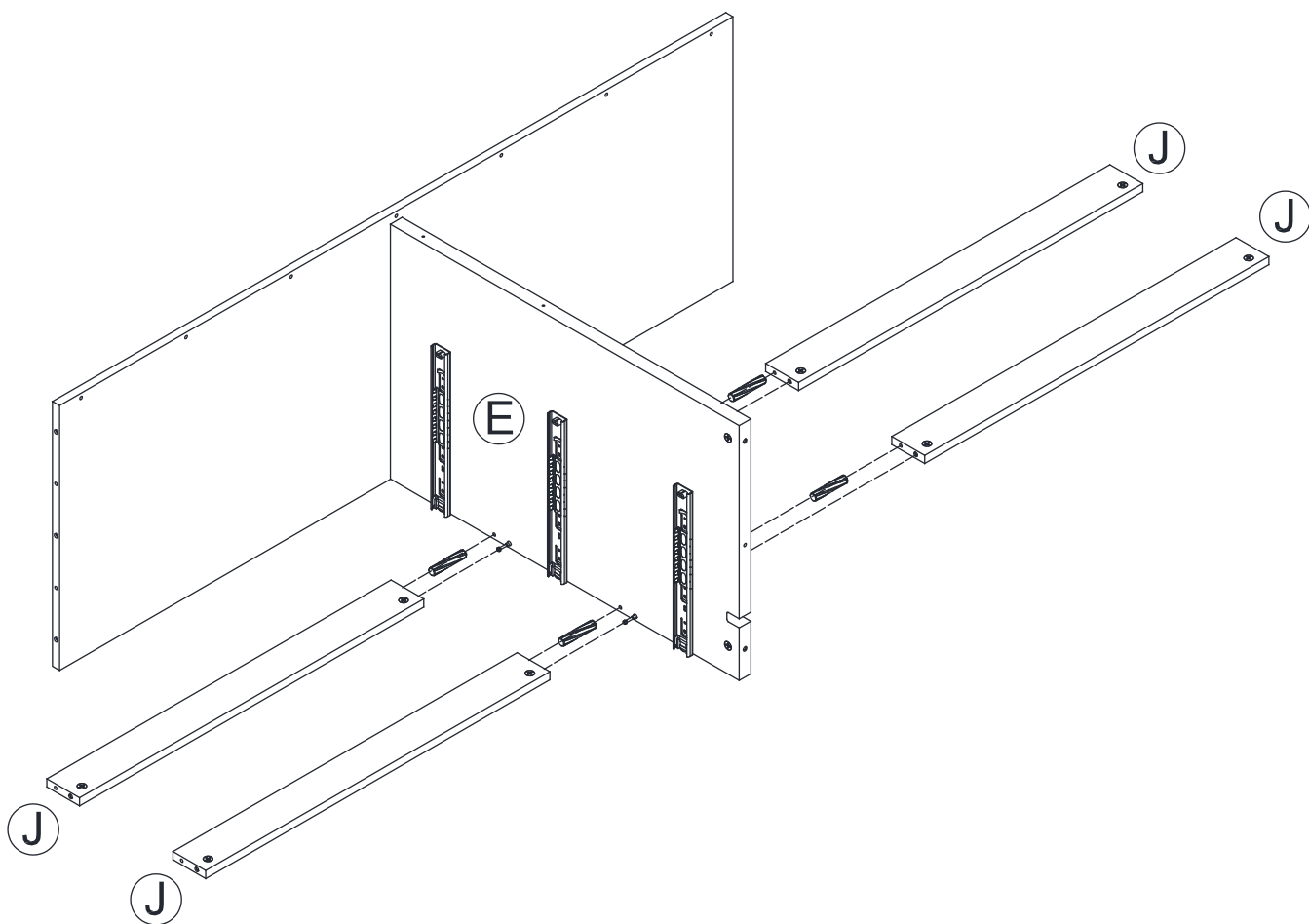
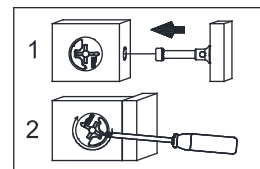
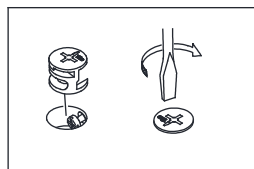
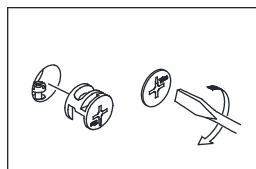
# Step 7

- ◆ Connect the Bottom Panel (B) to the Central Side Panel (E) using screws (7) and Wood Dowels (4).



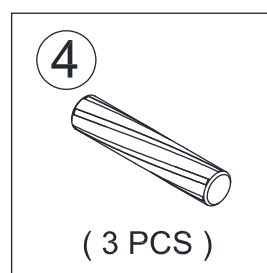
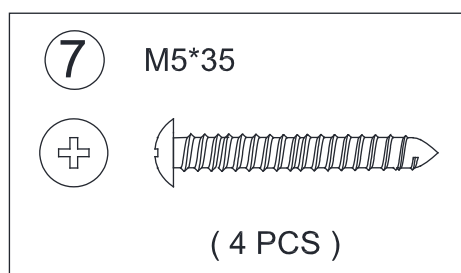
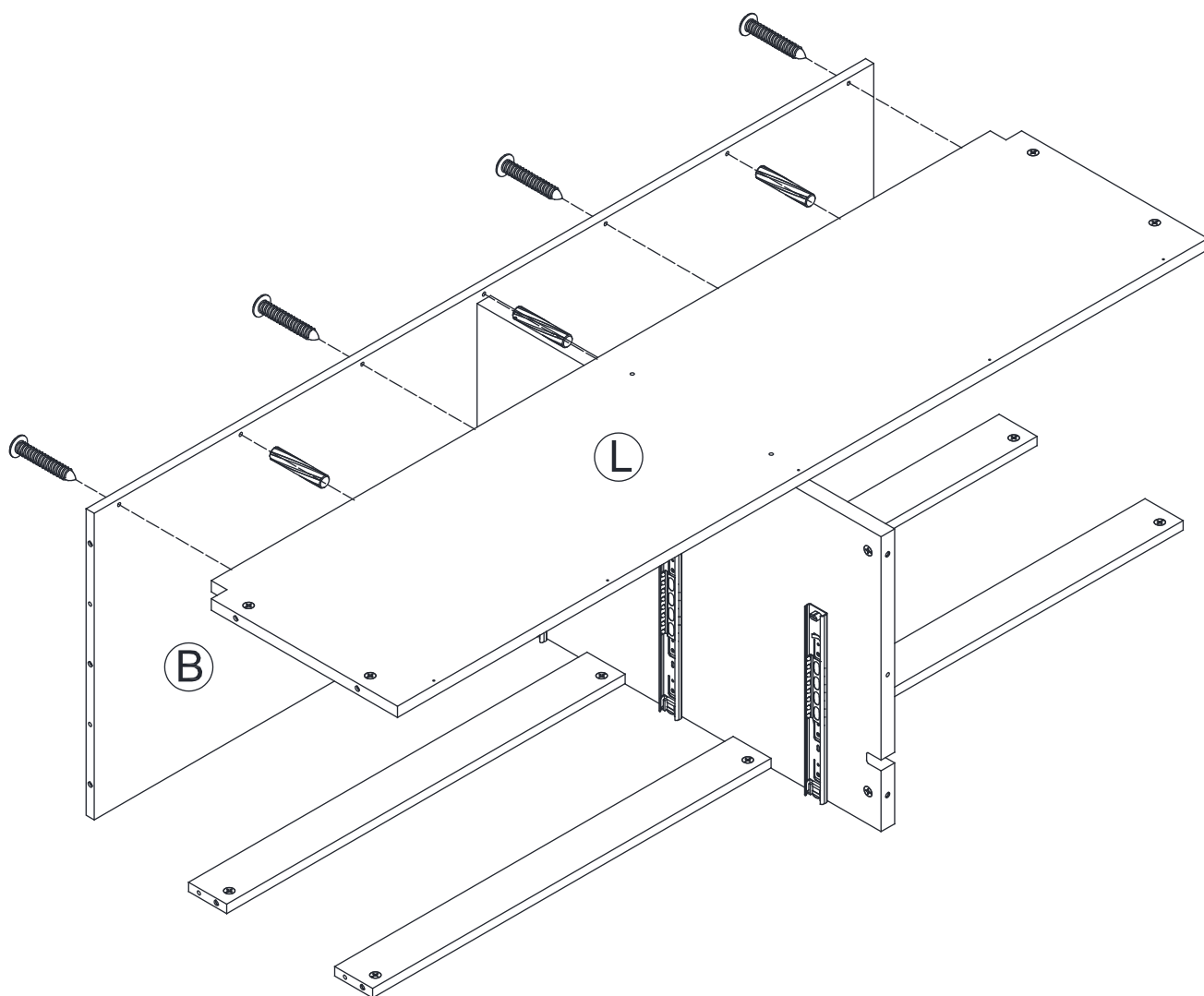
# Step 8

◆ Fix the Central Front Connector Plate (J) to the Central Side Panel (E) using Wood Dowels (4) and connectors.



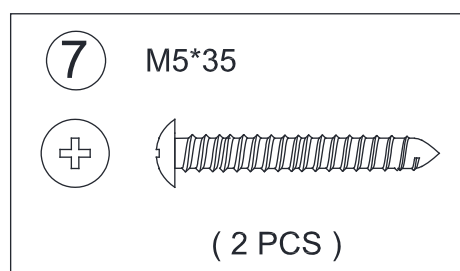
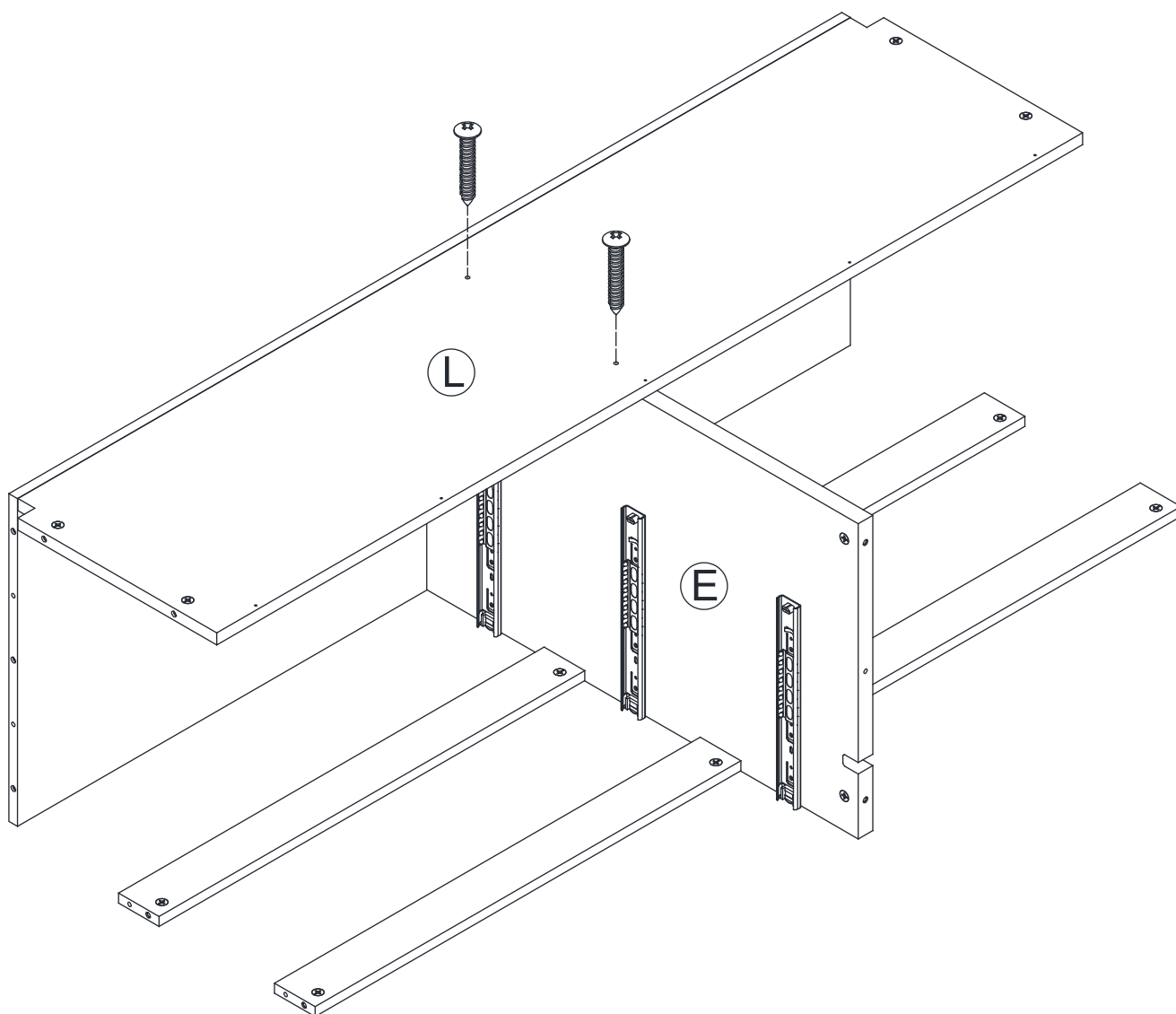
# Step 9

- ◆ Attach the Lower Back Panel (L) to the Bottom Panel (B) using Pan Head Screws (7) and Wood Dowels (4).



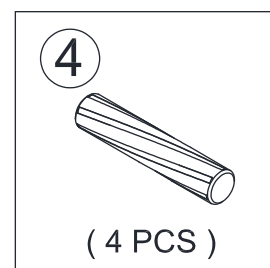
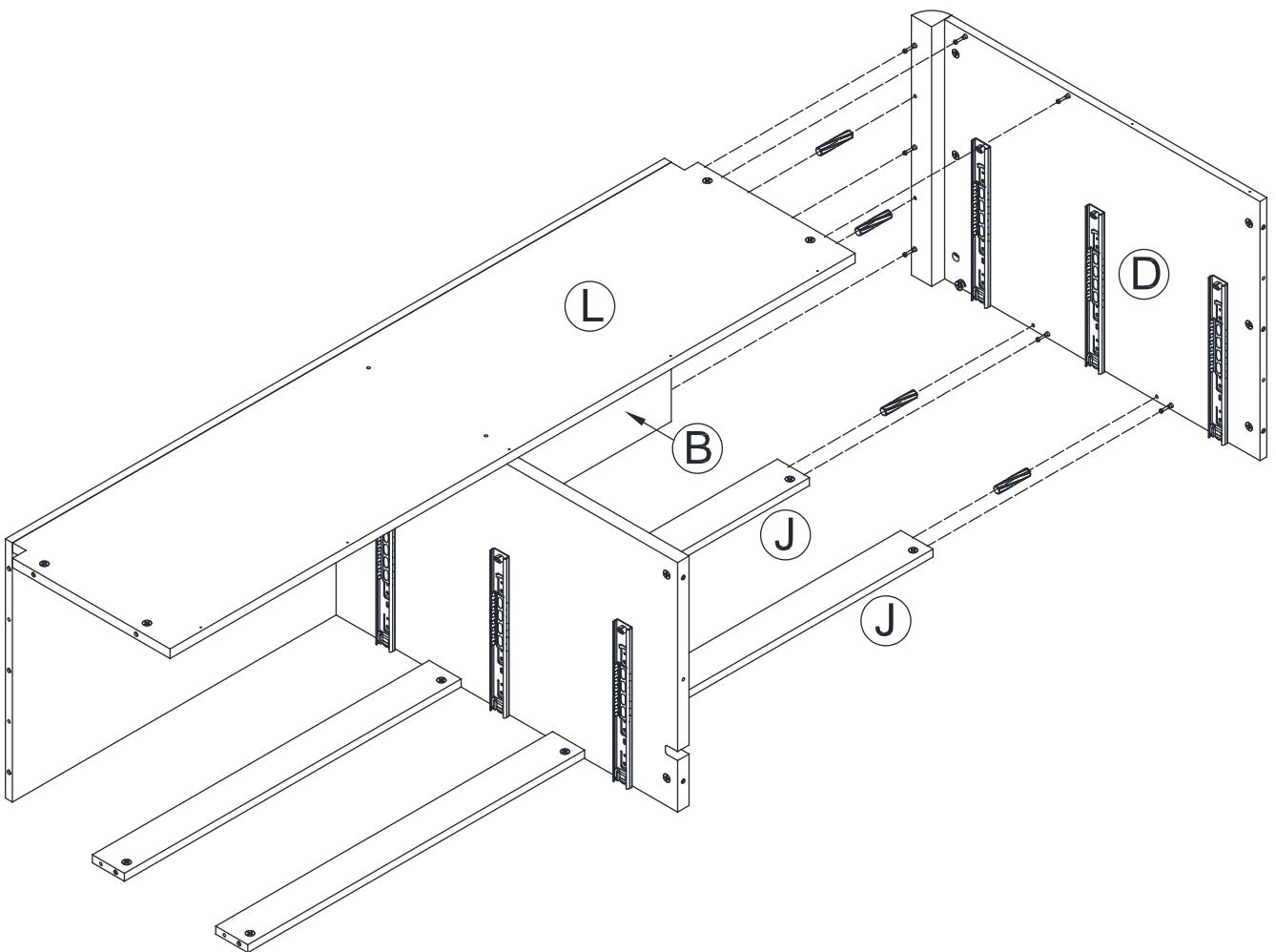
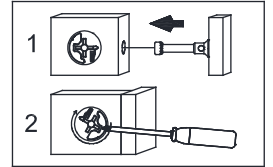
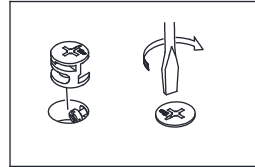
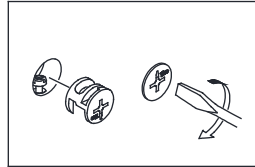
# Step 10

- ◆ Secure the Lower Back Panel (L) to the Central Side Panel (E) using Pan Head Screws (7).



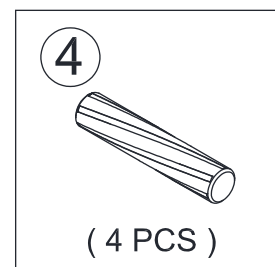
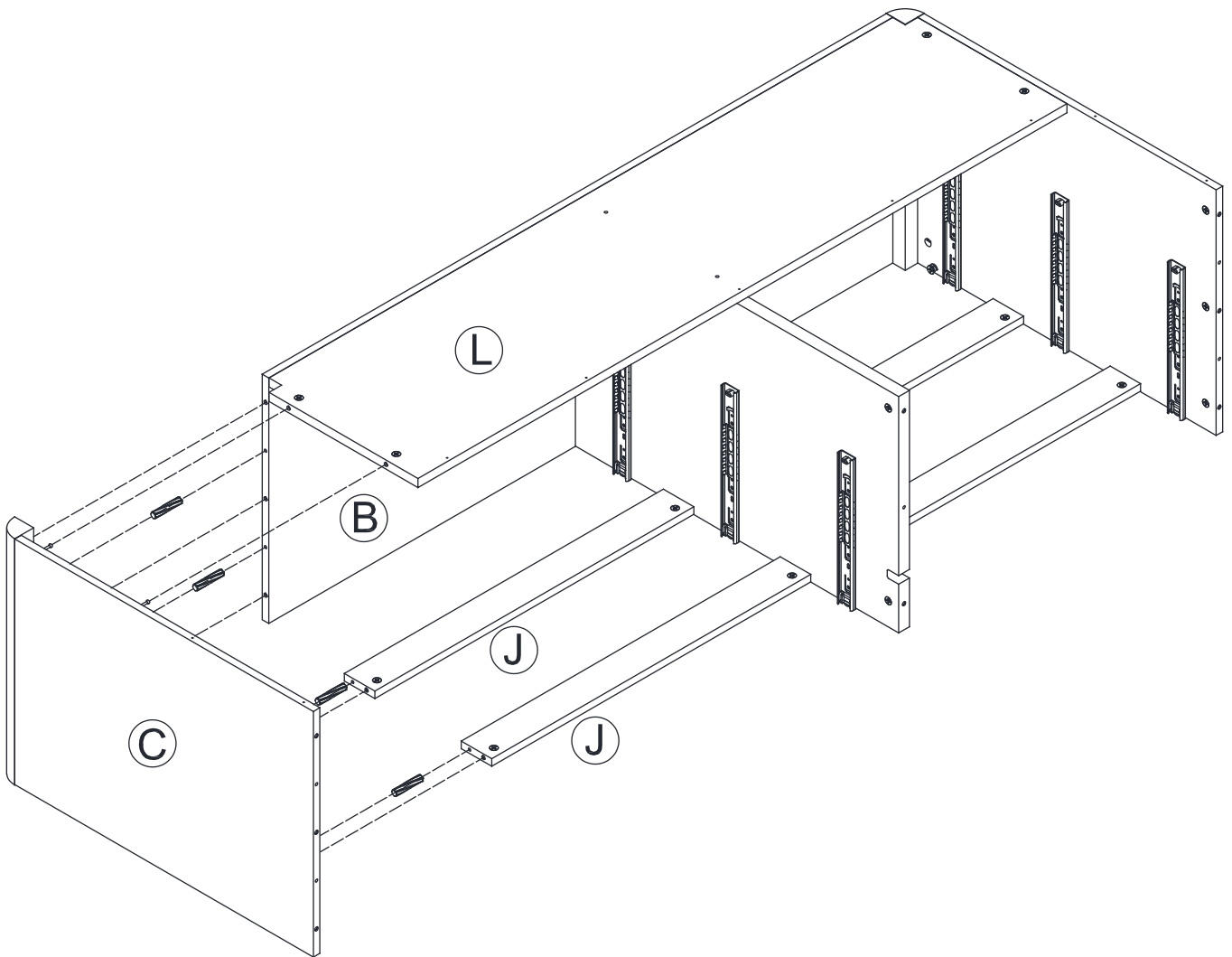
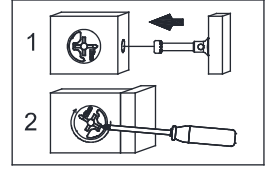
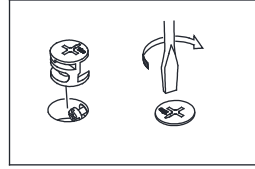
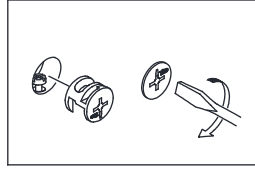
# Step 11

- ◆ Fix the Right Side Panel (D) to the Bottom Panel (B), Lower Back Panel (L), and Central Front Connector Plate (J) using Wood Dowels (4) and connectors.



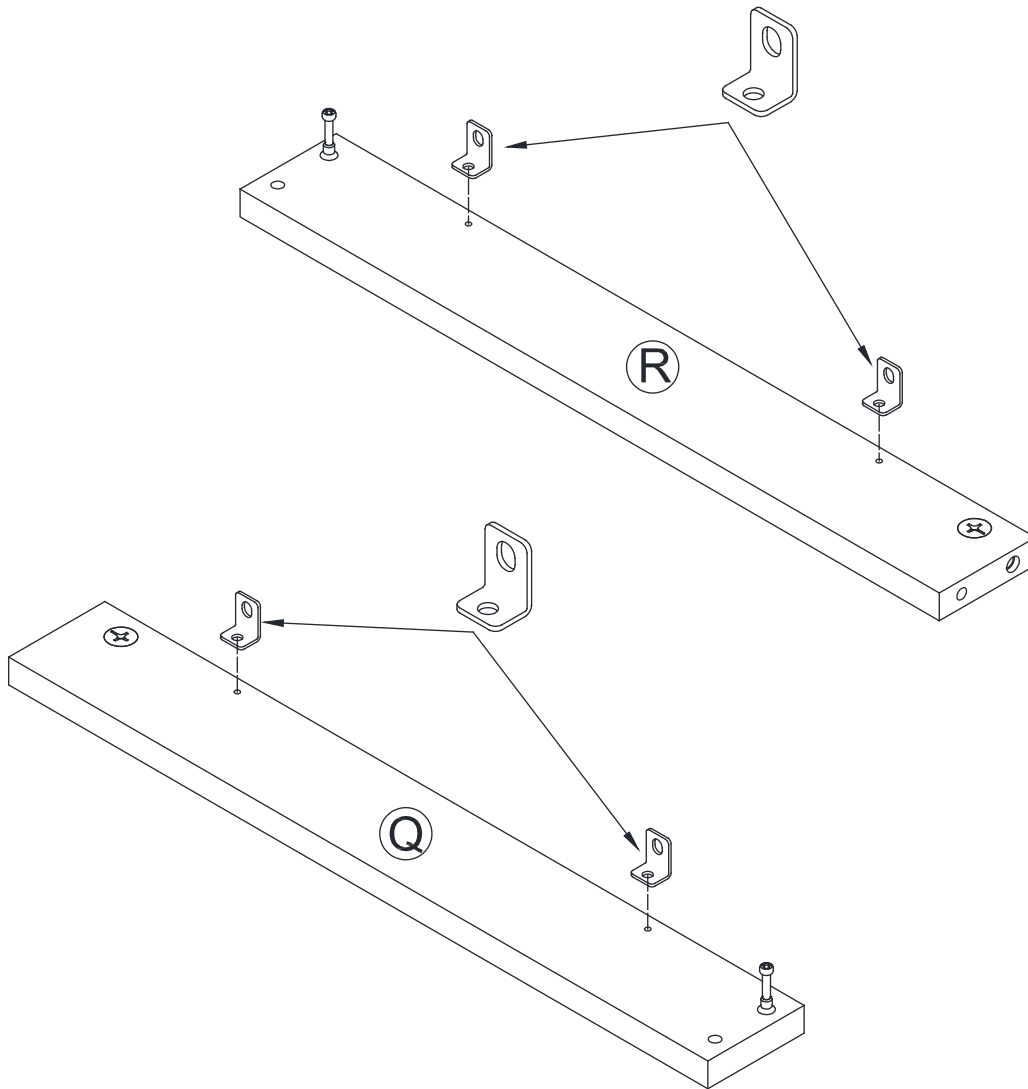
# Step 12

- ◆ Fix the Left Side Panel (C) to the Bottom Panel (B), Lower Back Panel (L), and Central Front Connector Plate (J) using Wood Dowels (4) and connectors.

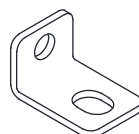


# Step 13

- ◆ Attach the Bracket (5) to the Lower Left and Right Uprights (Q, R) using Pan Head Screws (9).



5



( 4 PCS )

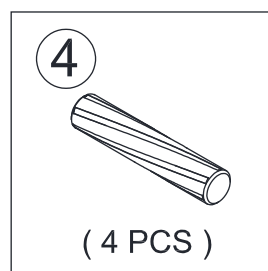
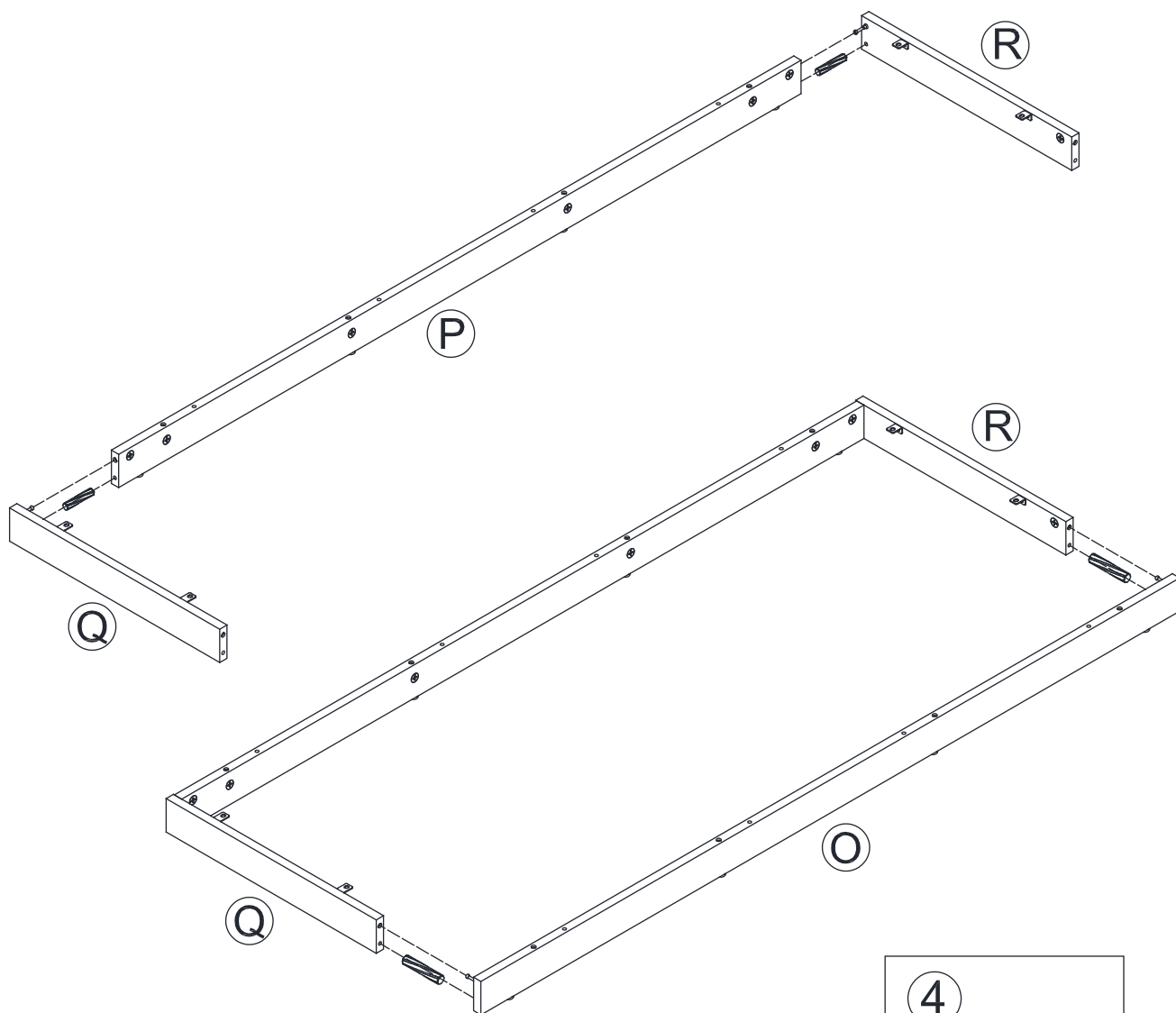
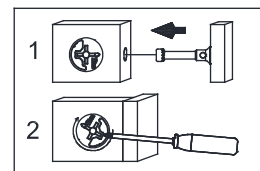
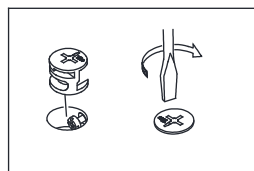
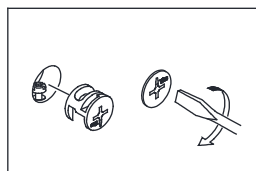
9 M4\*12



( 4 PCS )

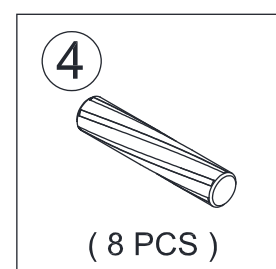
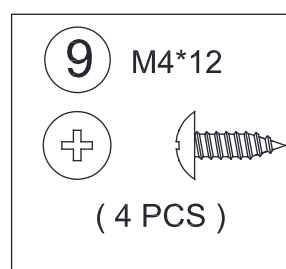
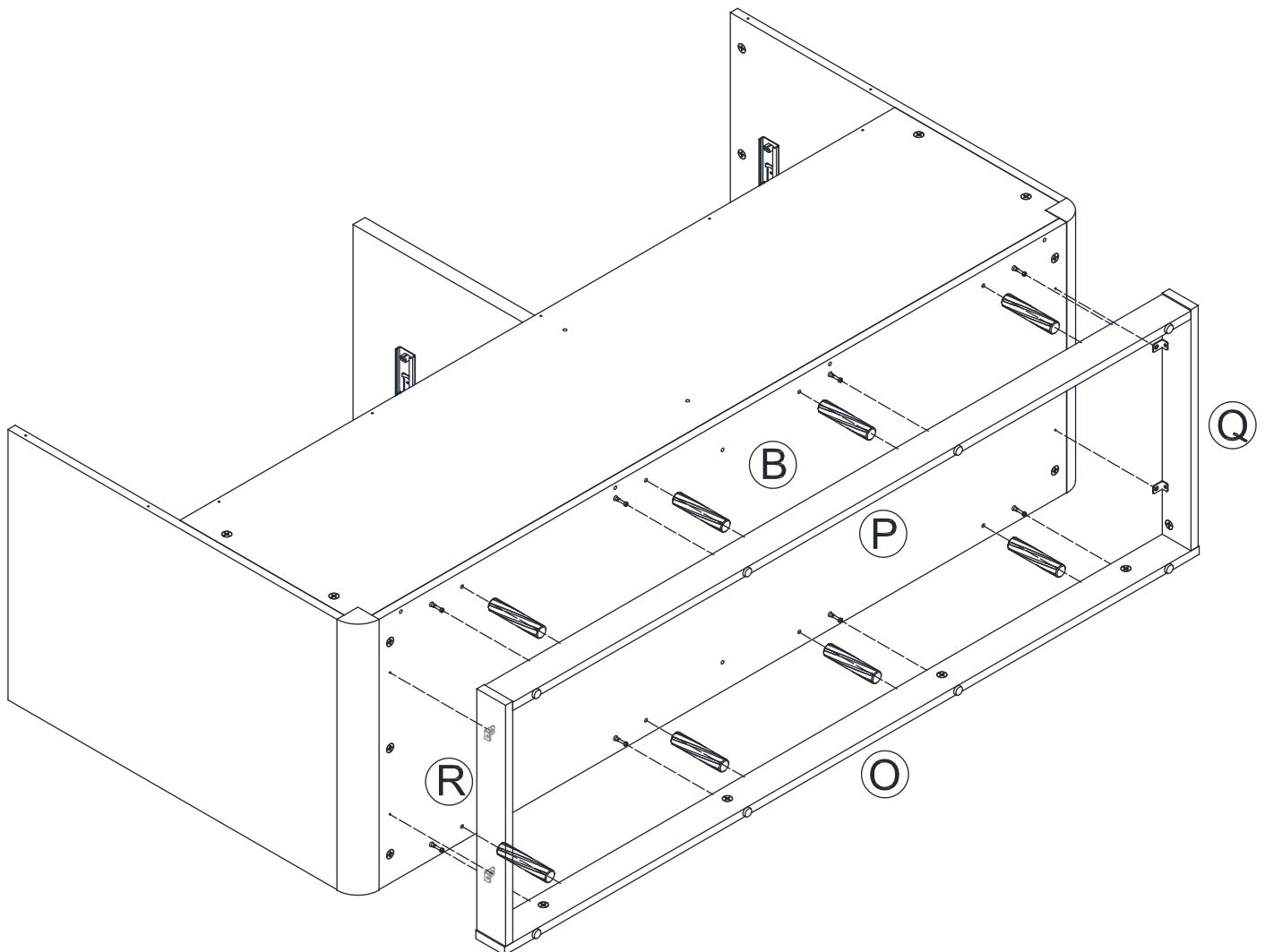
# Step 14

- ◆ 1. Fix the Lower Left and Right Uprights (Q, R) to the Lower Rear Upright (P) using Wood Dowels (4) and connectors.
- ◆ 2. Fix the Lower Front Upright (O) to the Lower Left and Right Uprights (Q, R) using Wood Dowels (4) and connectors.



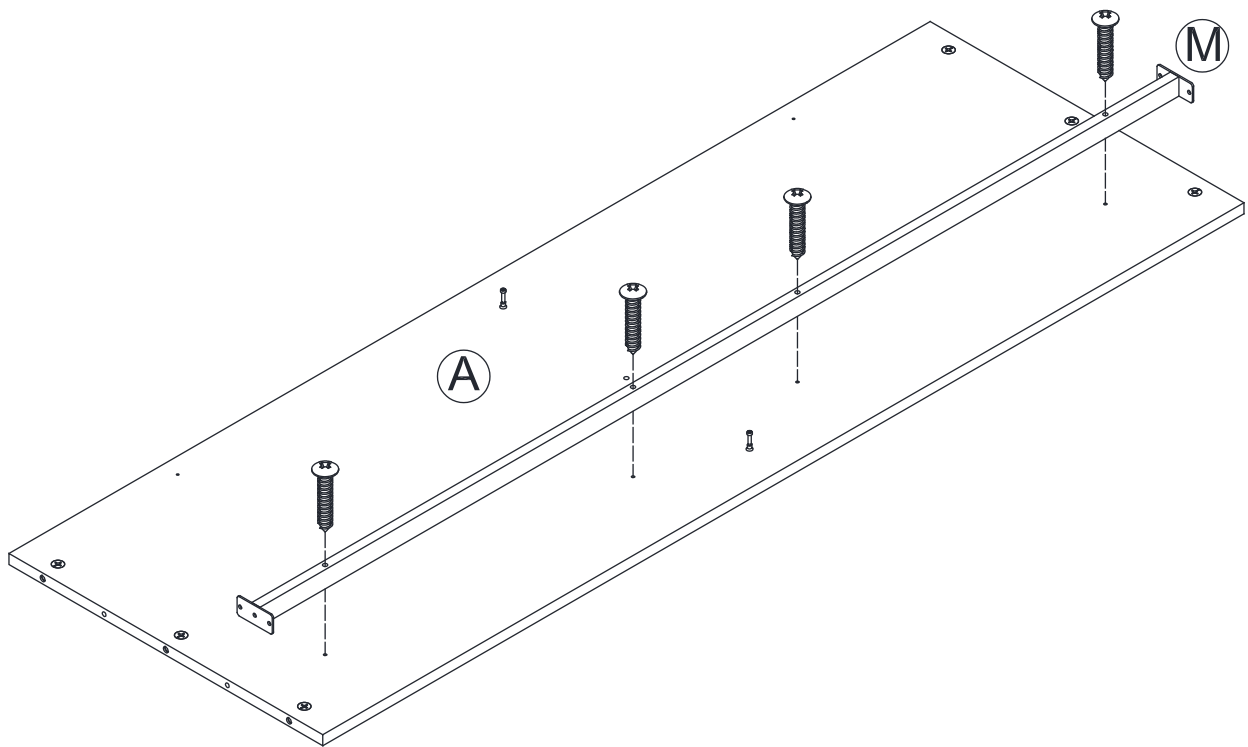
# Step 15

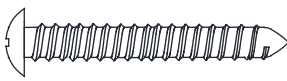
- ◆ Secure the Lower Front and Rear Uprights (O, P), Lower Left and Right Uprights (Q, R) to the Bottom Panel (B) using Wood Dowels (4), connectors, and the Pan Head Screws (9).



# Step 16

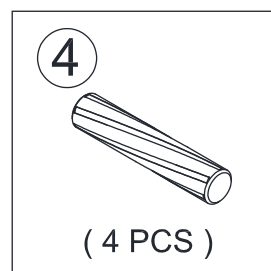
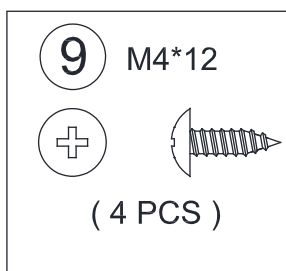
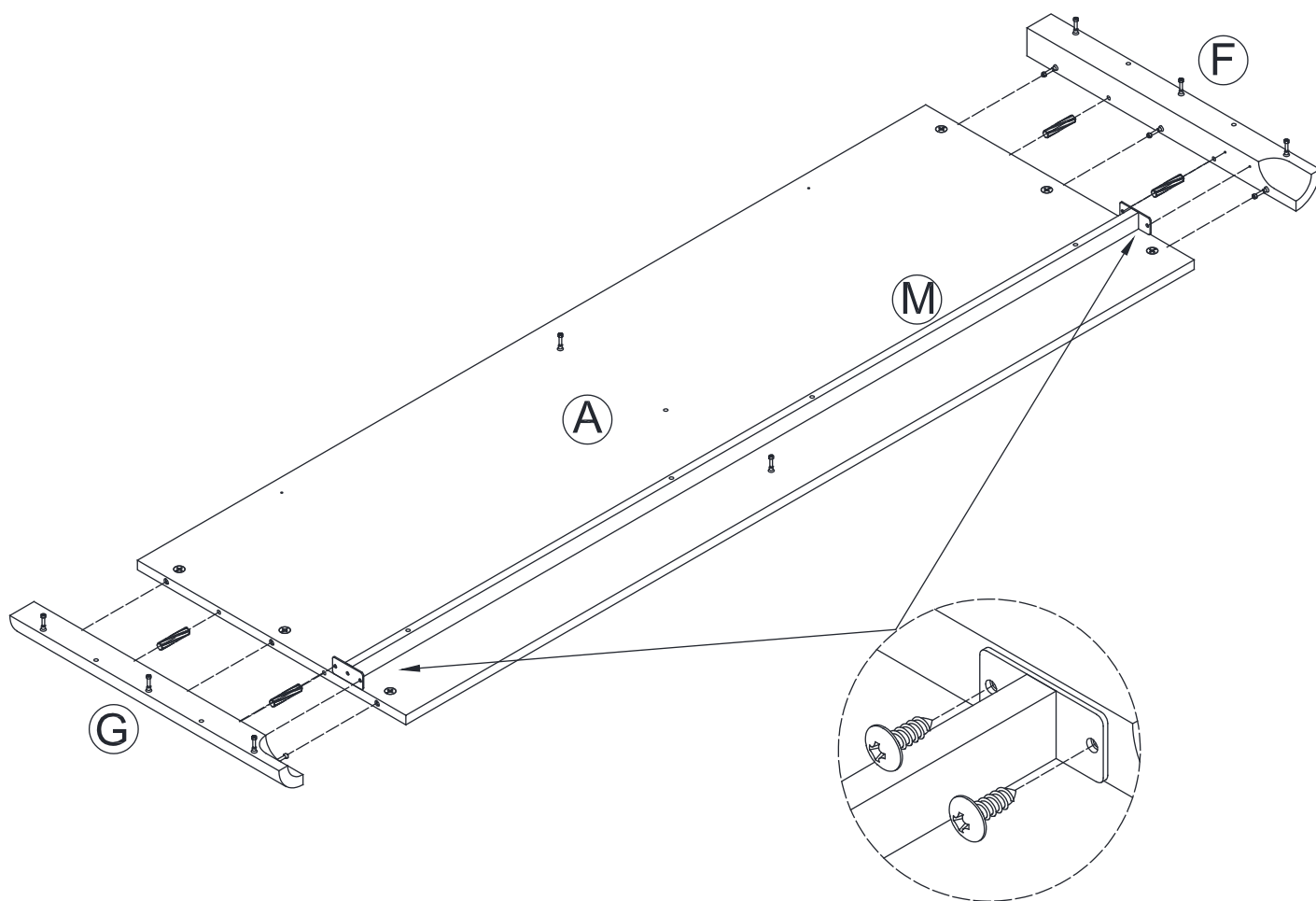
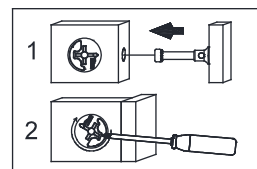
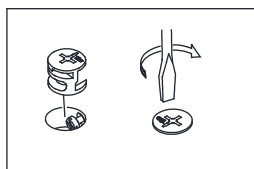
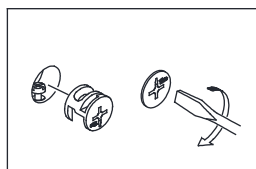
- ◆ Attach the Connecting Tube (M) to the Top Panel (A) using Pan Head Screws (7).



7	M5*35
+	
	( 4 PCS )

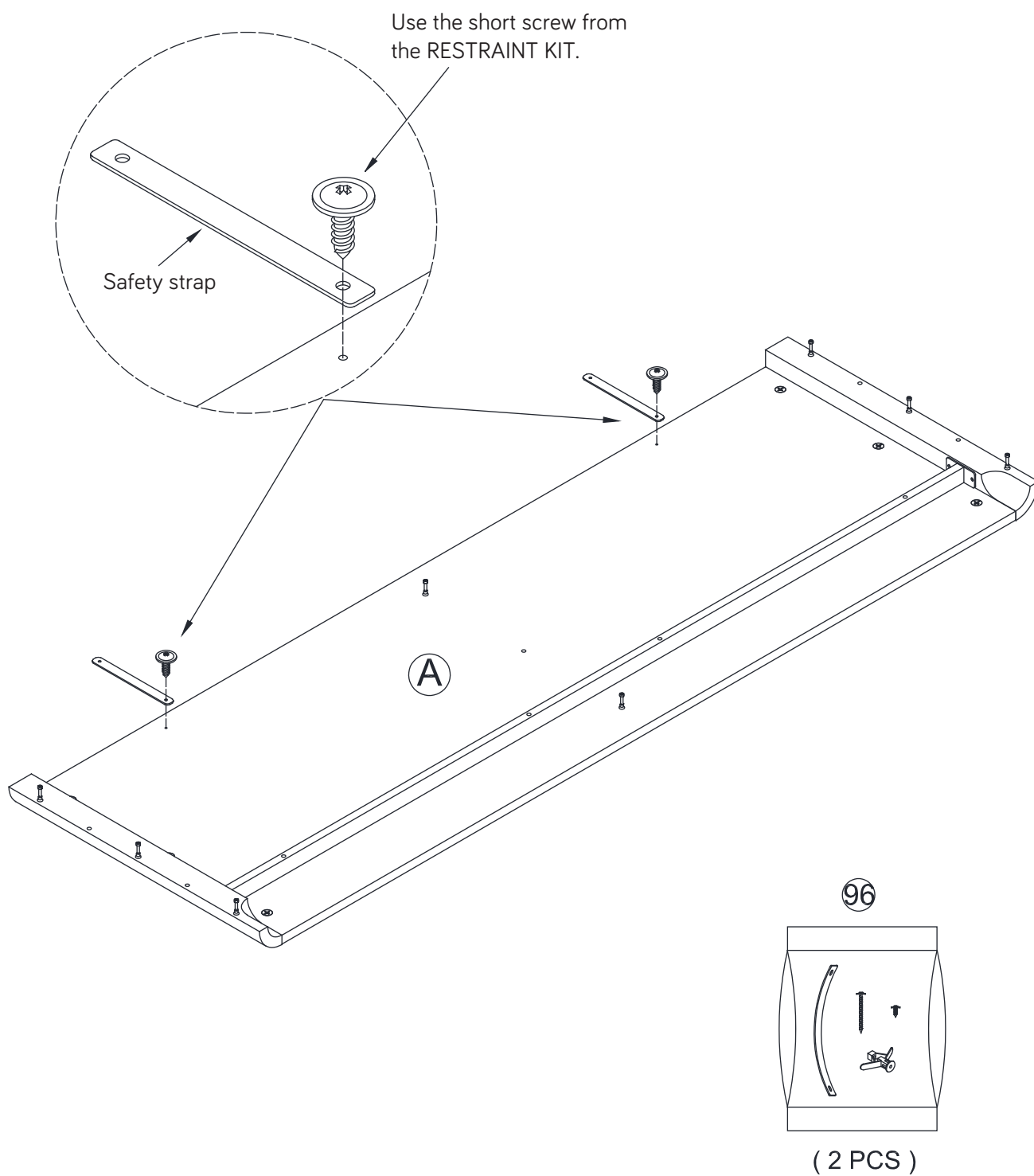
# Step 17

- ◆ Fix the Left and Right Uprights of the Panel (F, G) to the Panel (A) and Connecting Tube (M) using Wood Dowels (4), connectors, and Pan Head Screws (9).



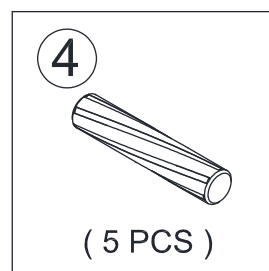
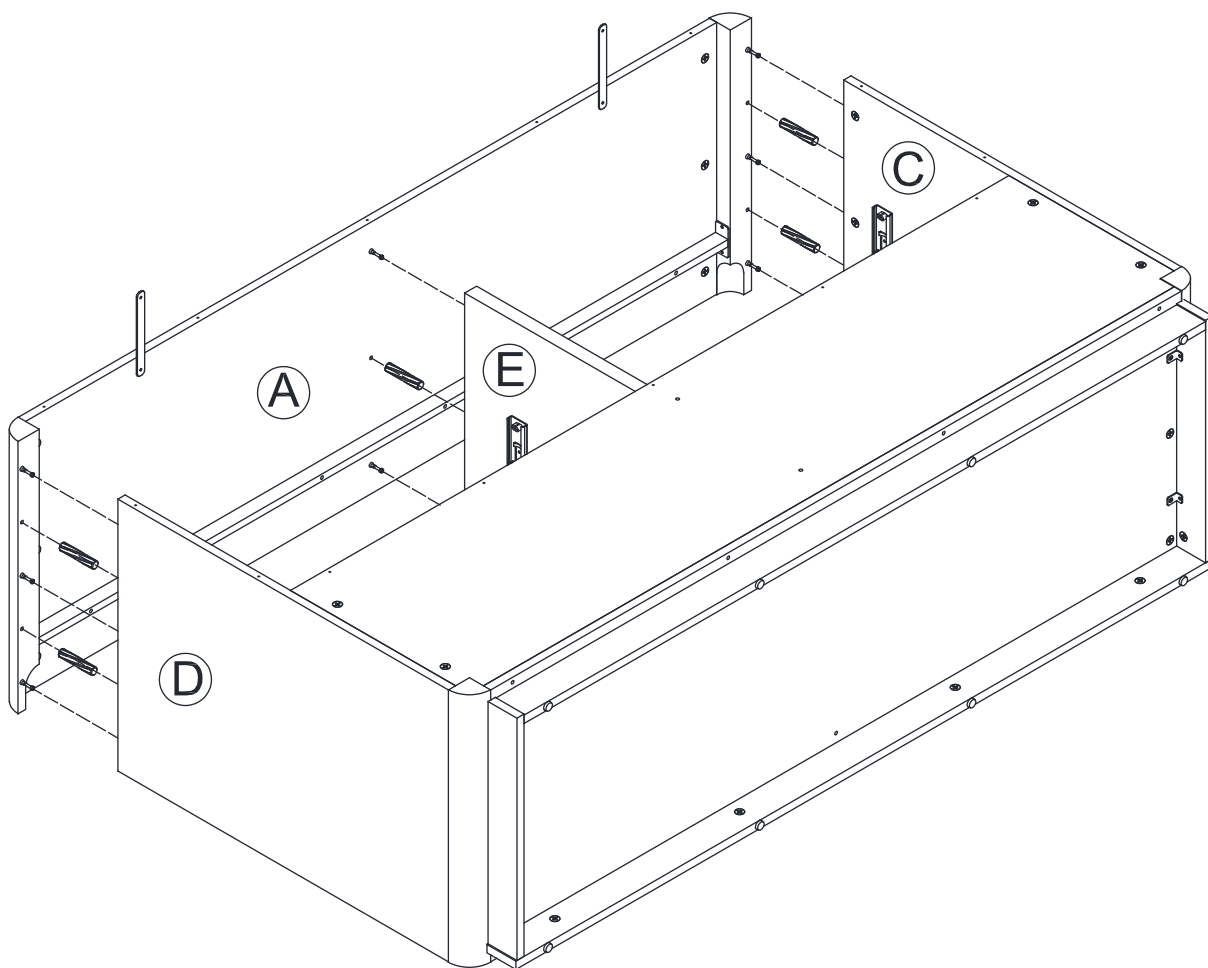
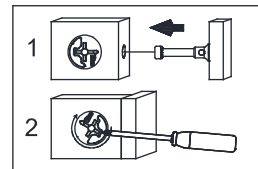
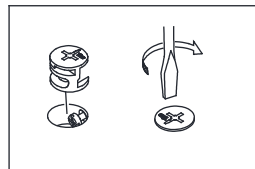
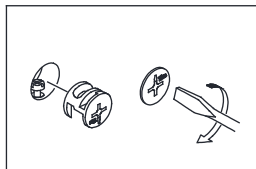
# Step 18

- ◆ Install the Furniture Tipping Restrain Kin (96) onto the Top Panel (A).



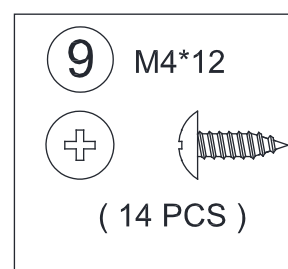
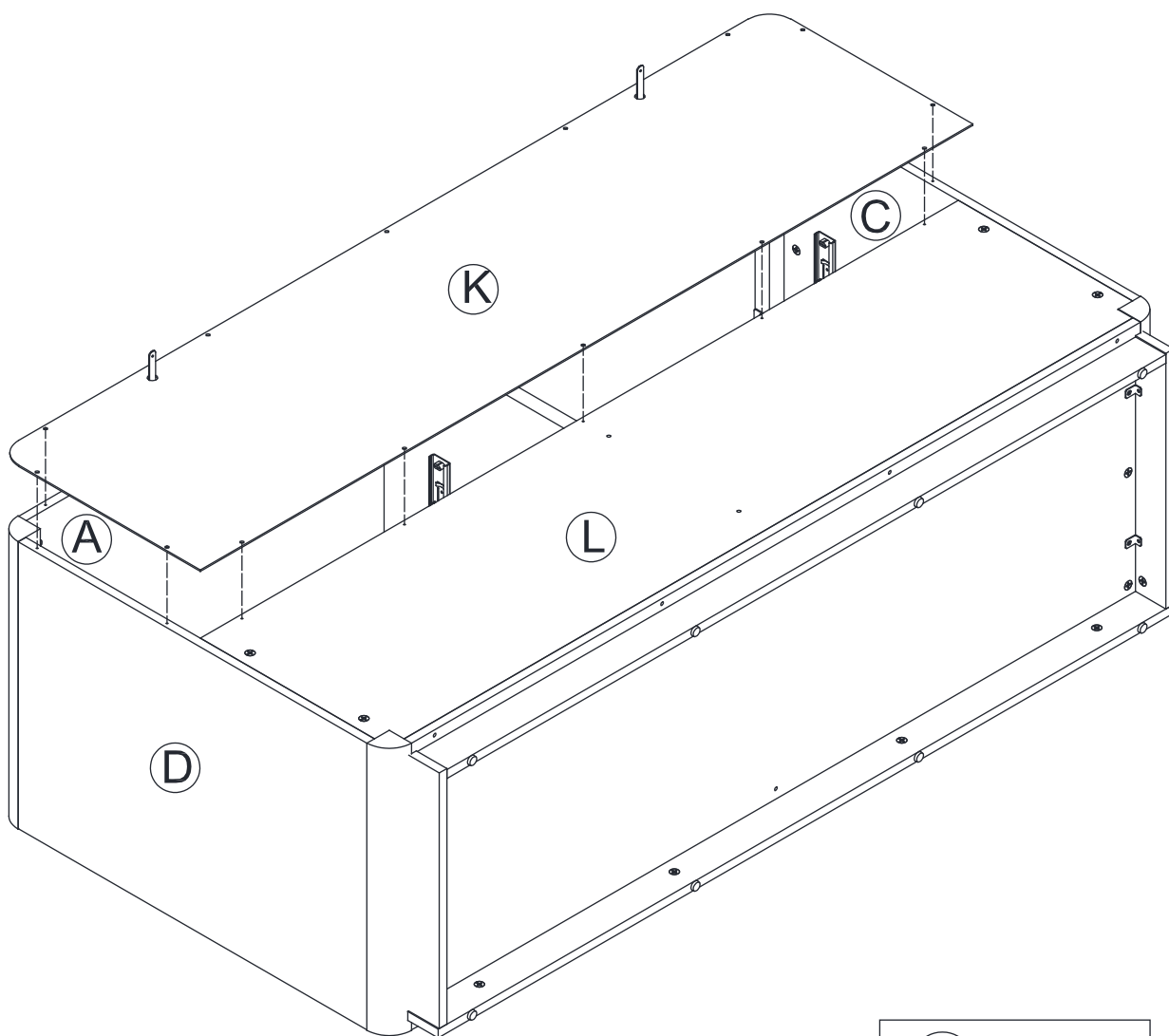
# Step 19

- ◆ Fix the Top Panel (A) to the Left and Right Side Panels (C, D) and the Central Side Panel (E) using Wood Dowels (4) and connectors.



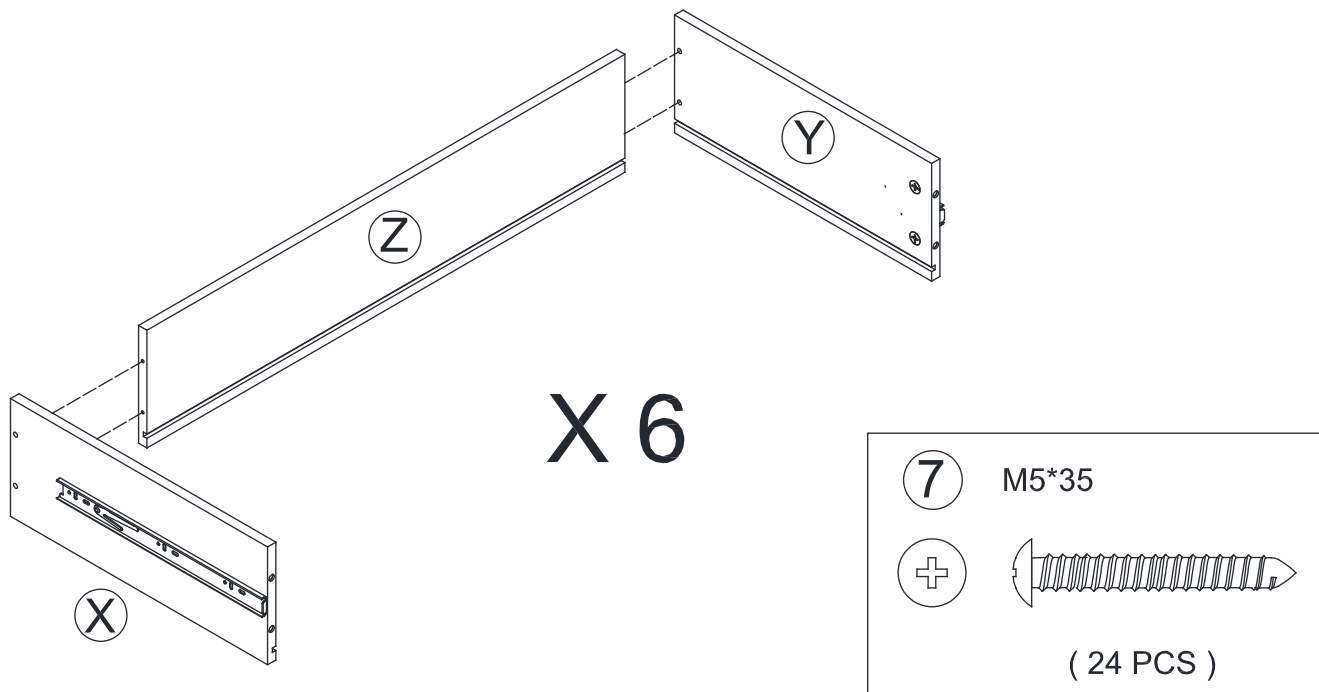
# Step 20

- ◆ Secure the Upper Back Panel (K) to the Left and Right Side Panels (C, D), Top Panel (A), and Lower Back Panel (L) using Pan Head Screws (9).

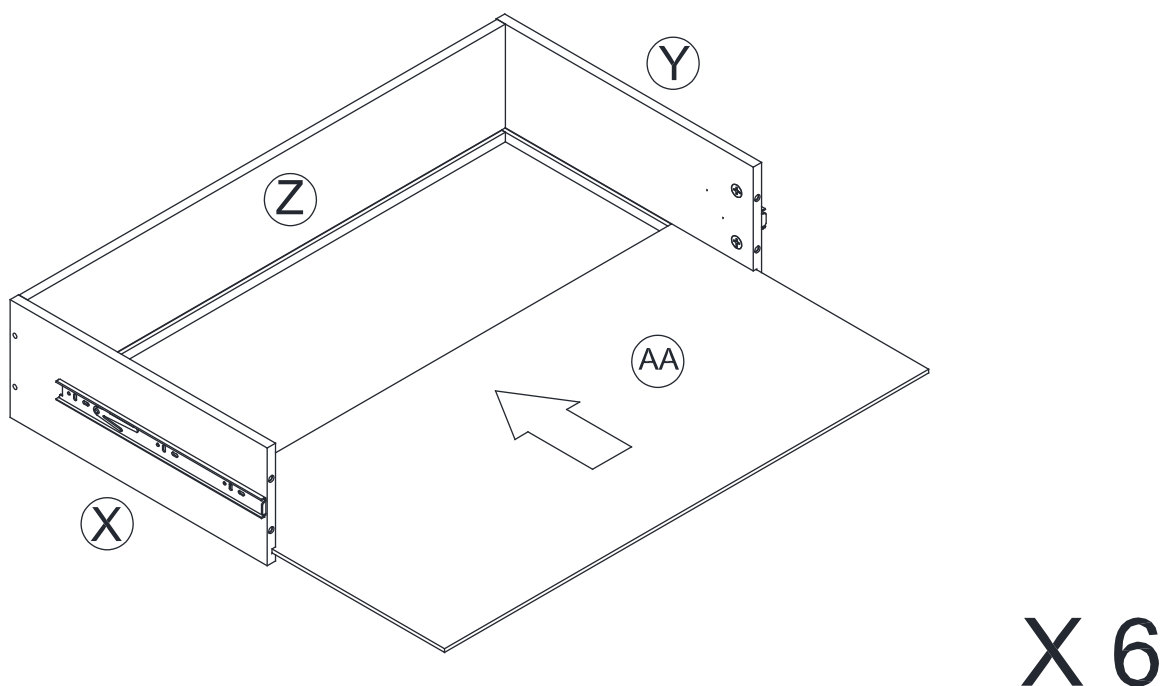


# Step 21

- ◆ Attach the Drawer Side Panels (X, Y) to the Drawer Back Panel (Z) using Pan Head Screws (7).

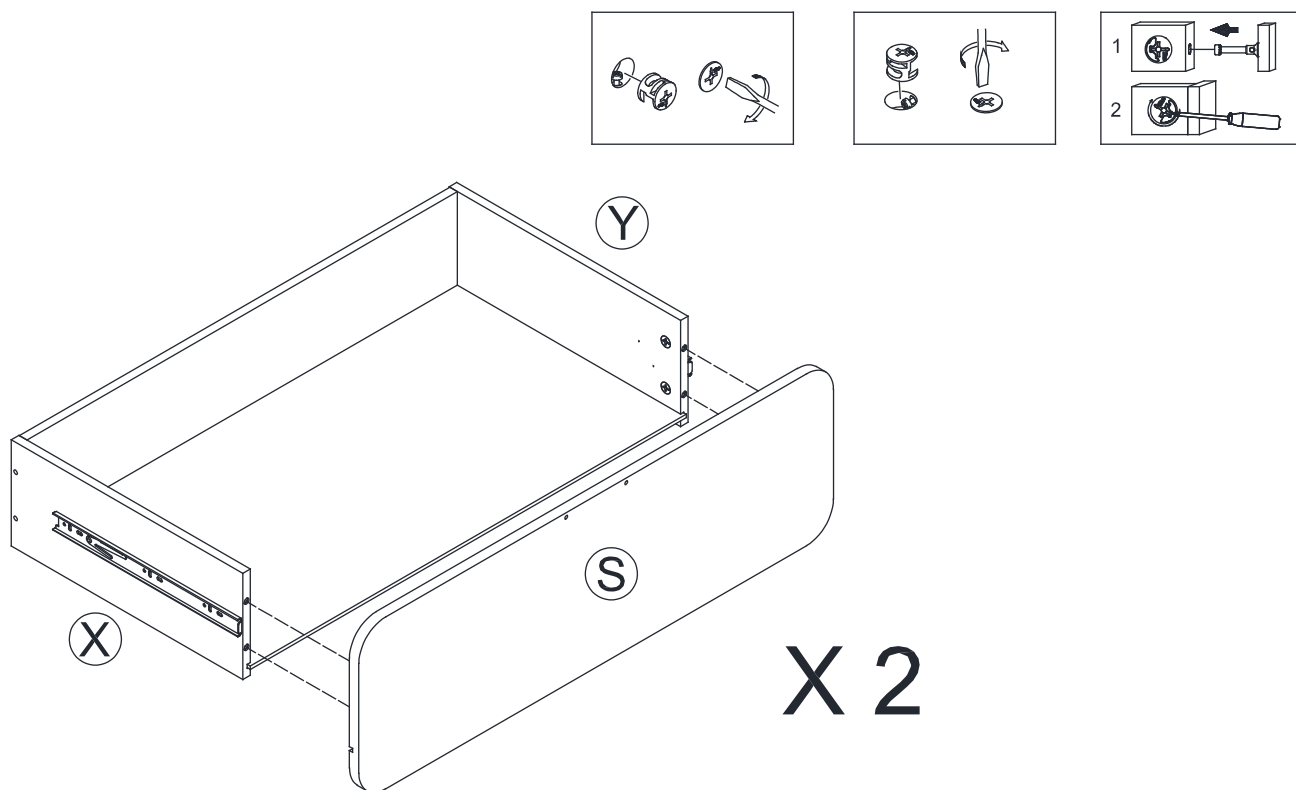


- ◆ Push the Drawer Bottom Panel (AA) into the grooves of the Drawer Left and Right Side Panels (X, Y) and Drawer Back Panel (Z).

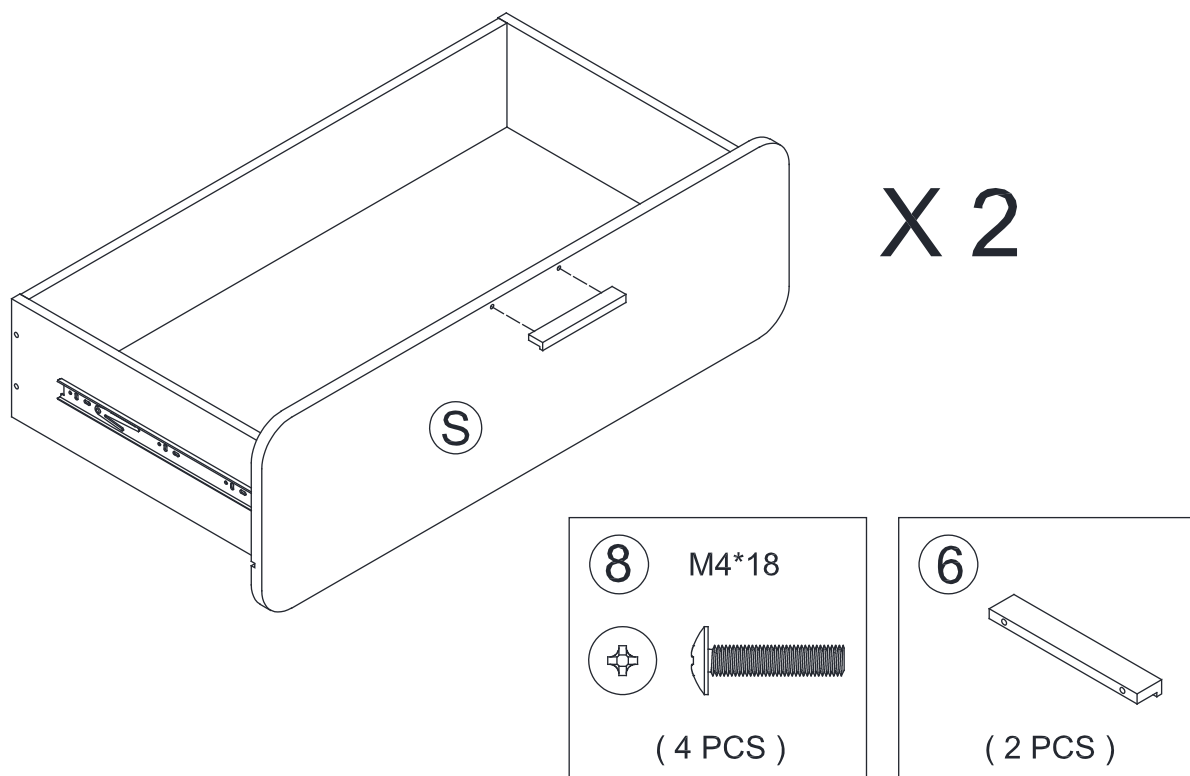


# Step 22

- ◆ Fix the Drawer Front Panel (S) to the Drawer Left and Right Side Panels (X, Y) using connectors.

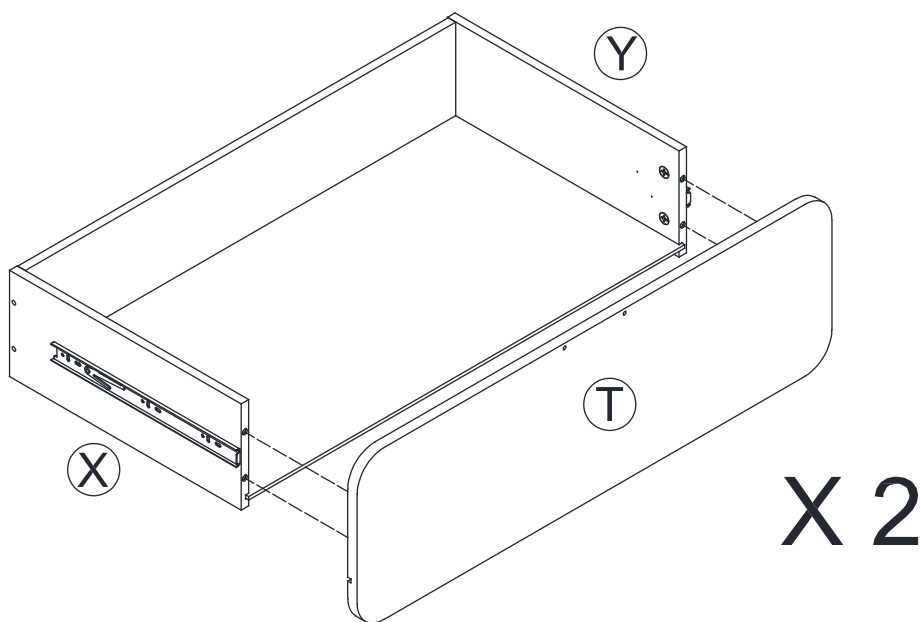
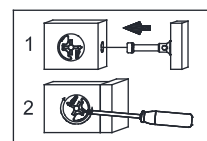
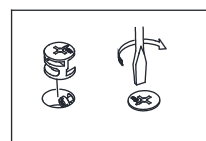
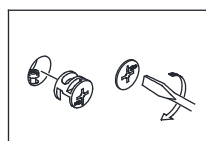


- ◆ Attach the Pull (6) to the Drawer front Panel (S) using Pan Head Screws (8).

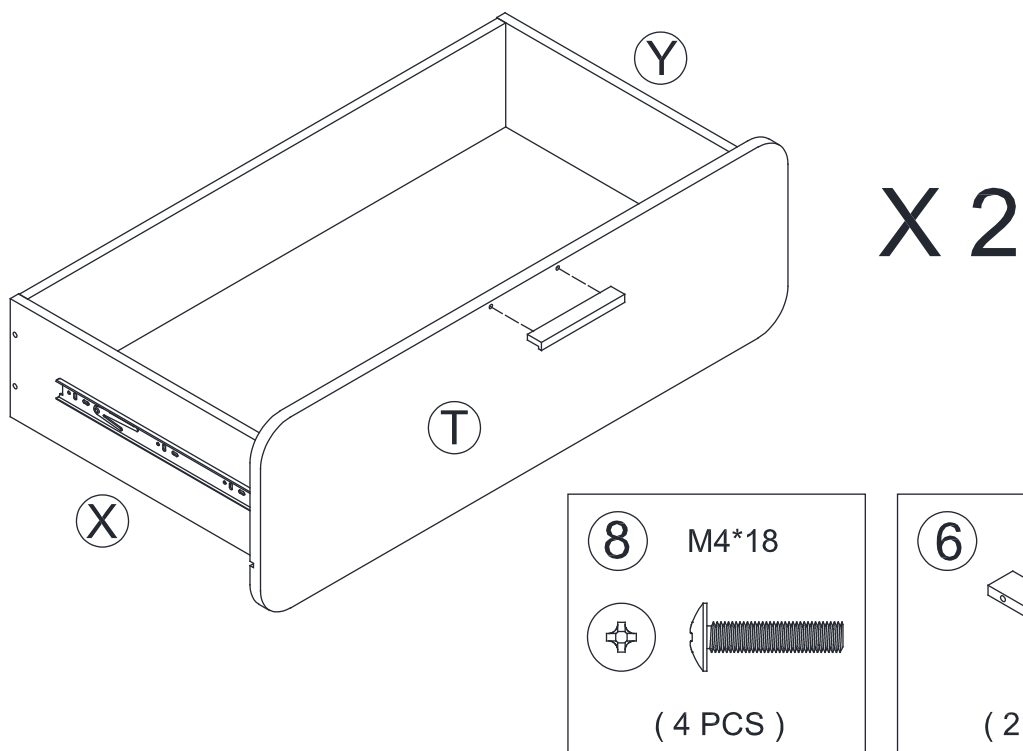


# Step 23

- ◆ Fix the Drawer Front Panel (T) to the Drawer Left and Right Side Panels (X, Y) using connectors.

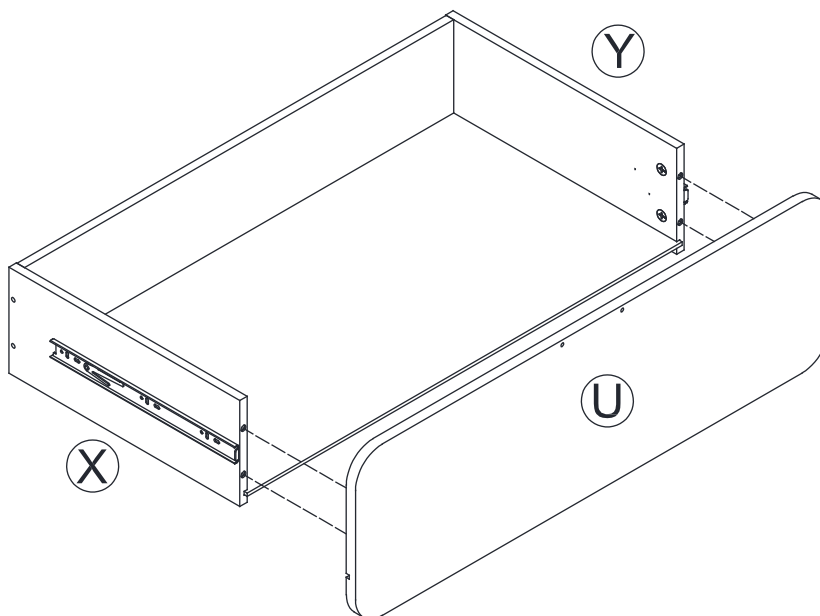
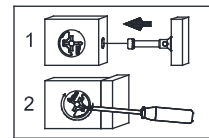
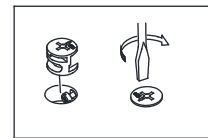
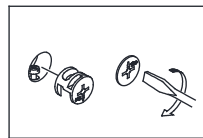


- ◆ Attach the Pull (6) to the Drawer Front Panel (T) using Pan Head Screws (8).

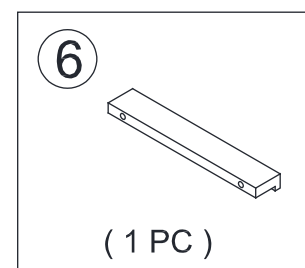
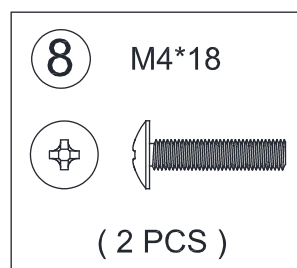
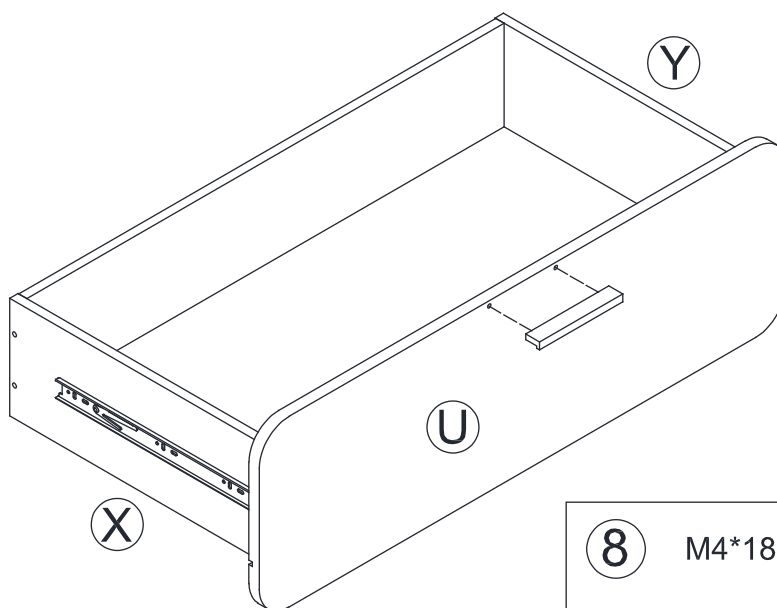


# Step 24

- ◆ Fix the Drawer Front Panel (U) to the Drawer Left and Right Side Panels (X, Y) using connectors.

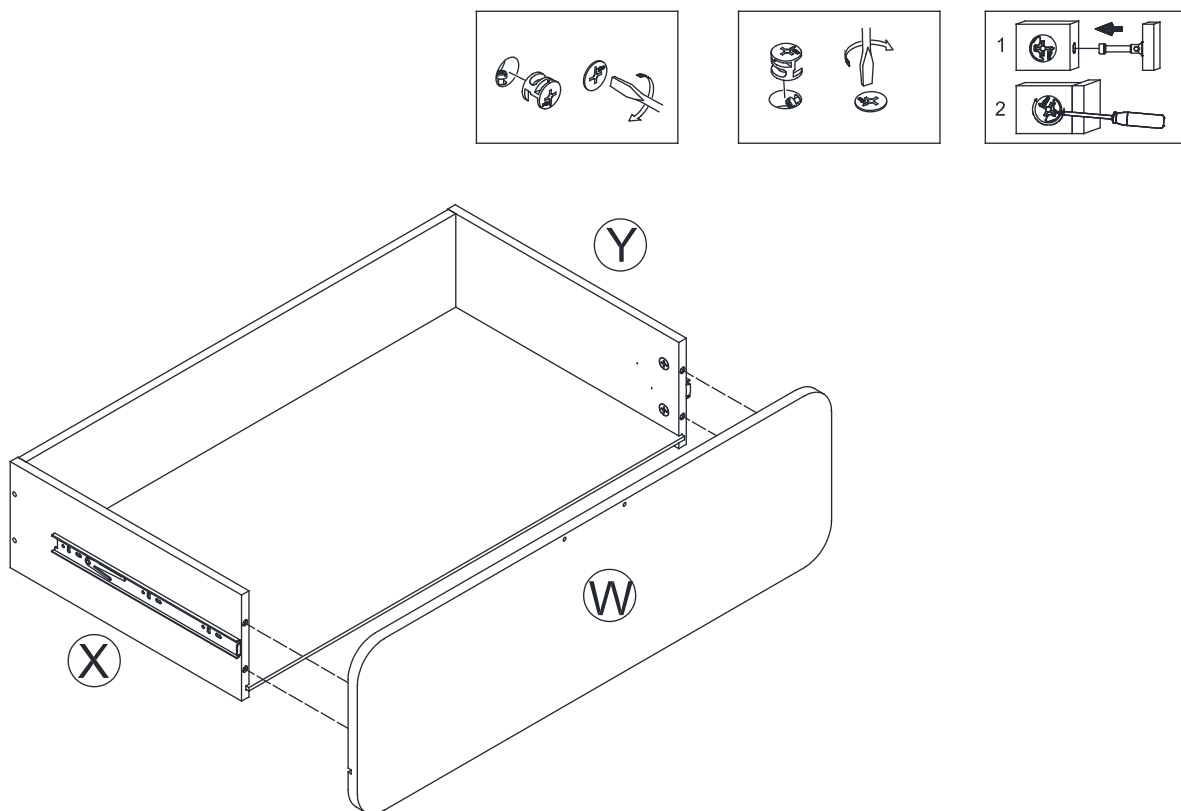


- ◆ Attach the Pull (6) to the Drawer Front Panel (U) using Pan Head Screws (8).

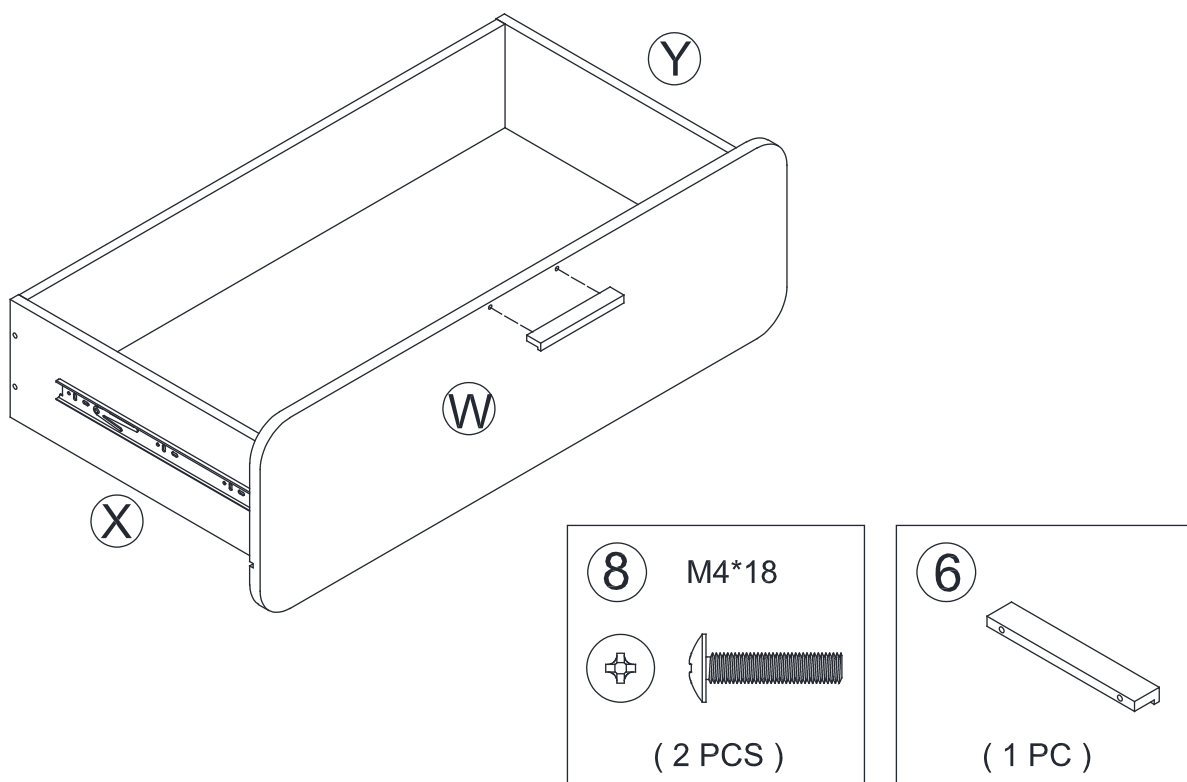


# Step 25

- ◆ Fix the Drawer Front Panel (W) to the Drawer Left and Right Side Panels (X, Y) using connectors.

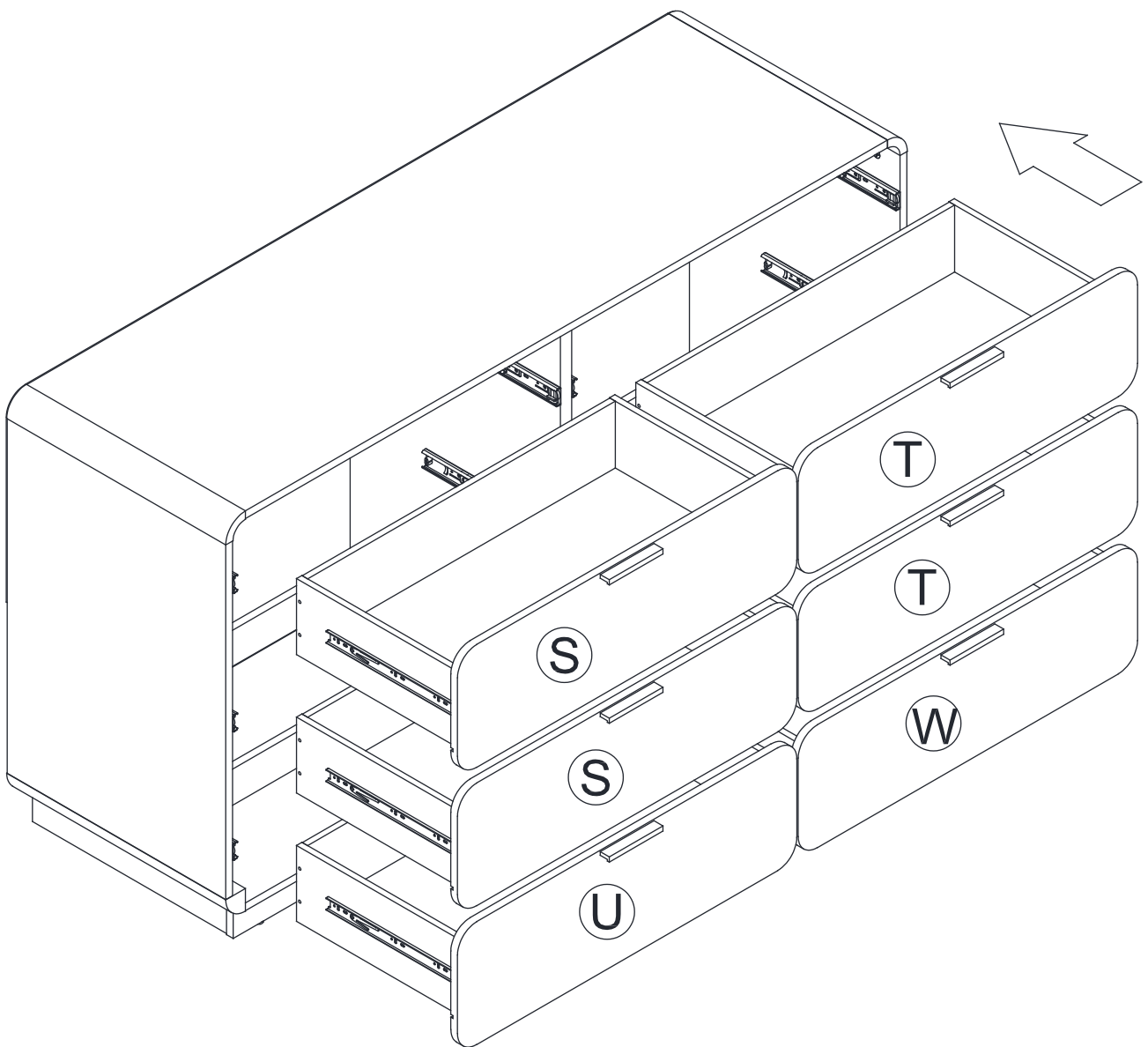
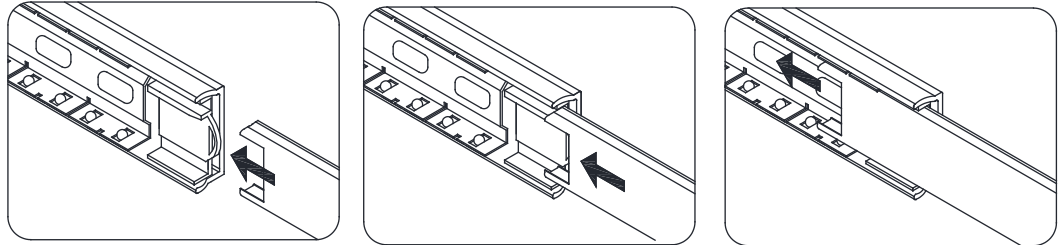


- ◆ Attach the Pull (6) to the Drawer Front Panel (W) using Pan Head Screws (8).



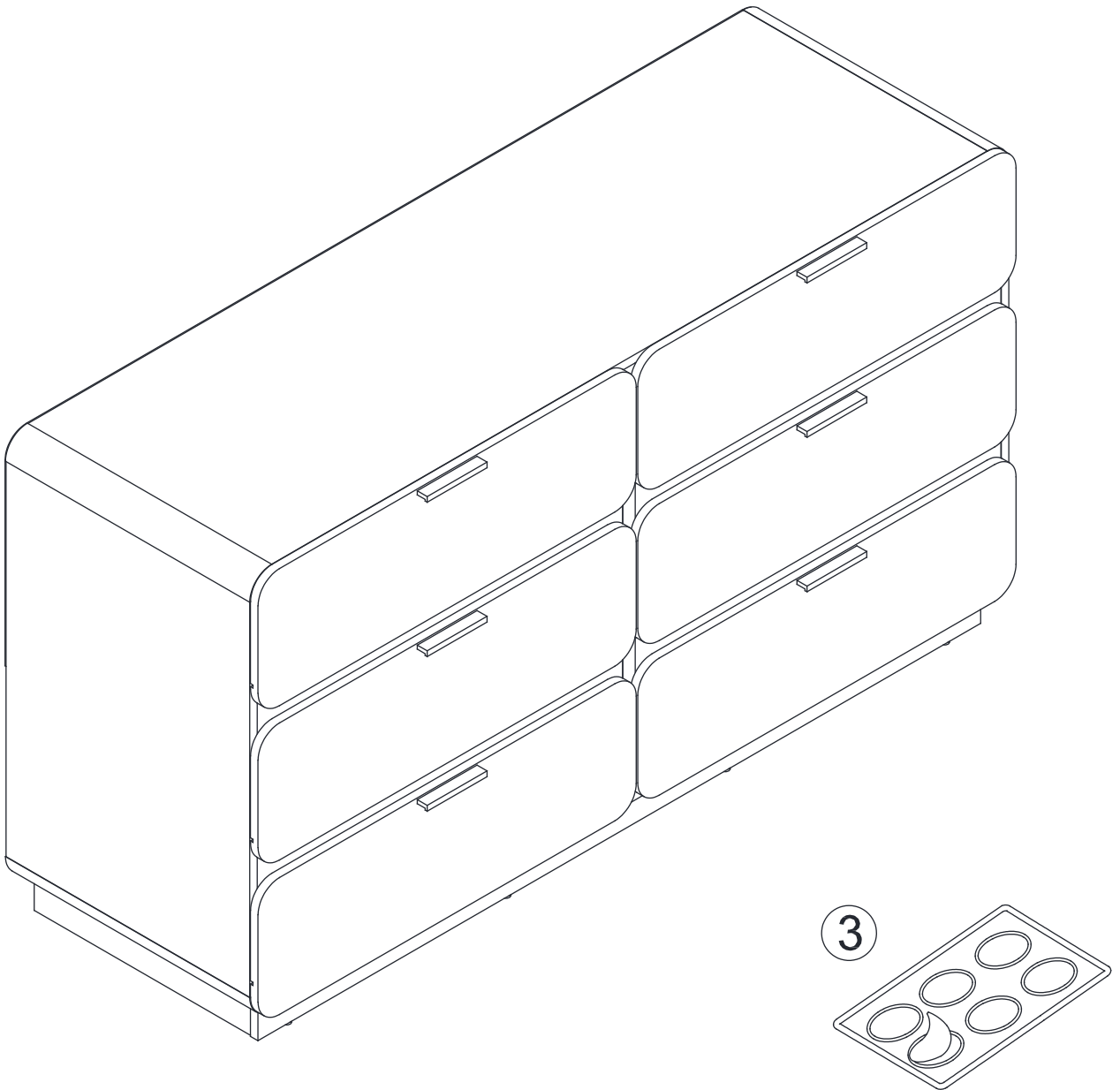
# Step 26

- ◆ Align the sliding rails and insert the six drawers.



# Step 27

- ◆ Peel APPLIQUES from the APPLIQUE CARD (3) and stick them onto each visible HIDDEN CAM.

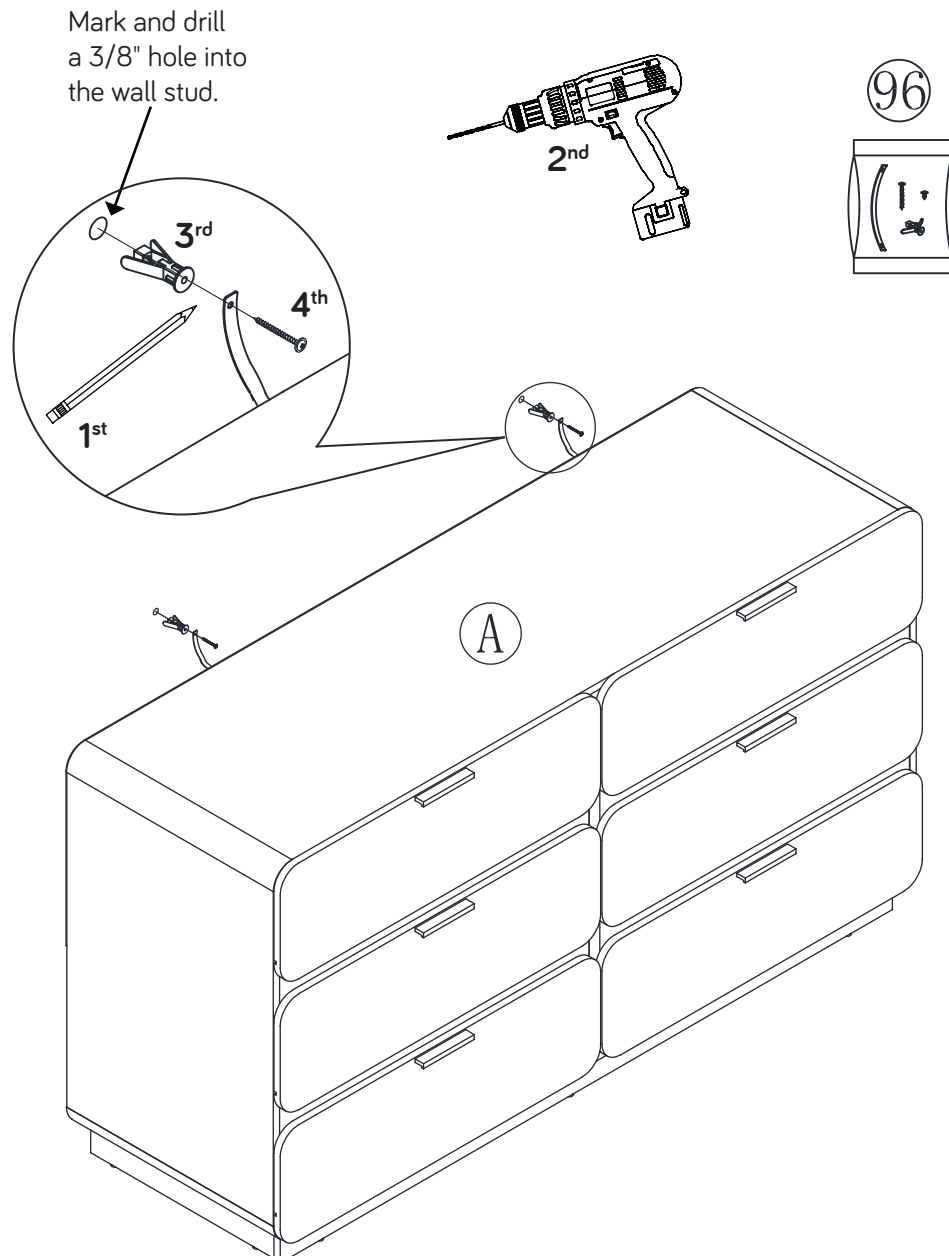


# Step 28

Open the FURNITURE TIPPING RESTRAINT KIT (96) and fasten the SAFETY STRAP to the TOP (A). Use the SHORT SCREW through the hole in the strap and into the top surface of the TOP (A). Place your unit in its final location.

NOTE: The following instructions show your unit being fastened to a wall stud. If you are not fastening your unit wall stud, go to the next step now.

- 1st- Locate the center of a stud in your wall near your unit and mark it with a pencil.
- 2nd- Drill a 3/8" hole on the mark and into the stud in your wall.
- 3rd- Fasten the unit to the wall. Use the LONG SCREW through the other end of the SAFETY STRAP and into the 3/8" hole.



# Step 29

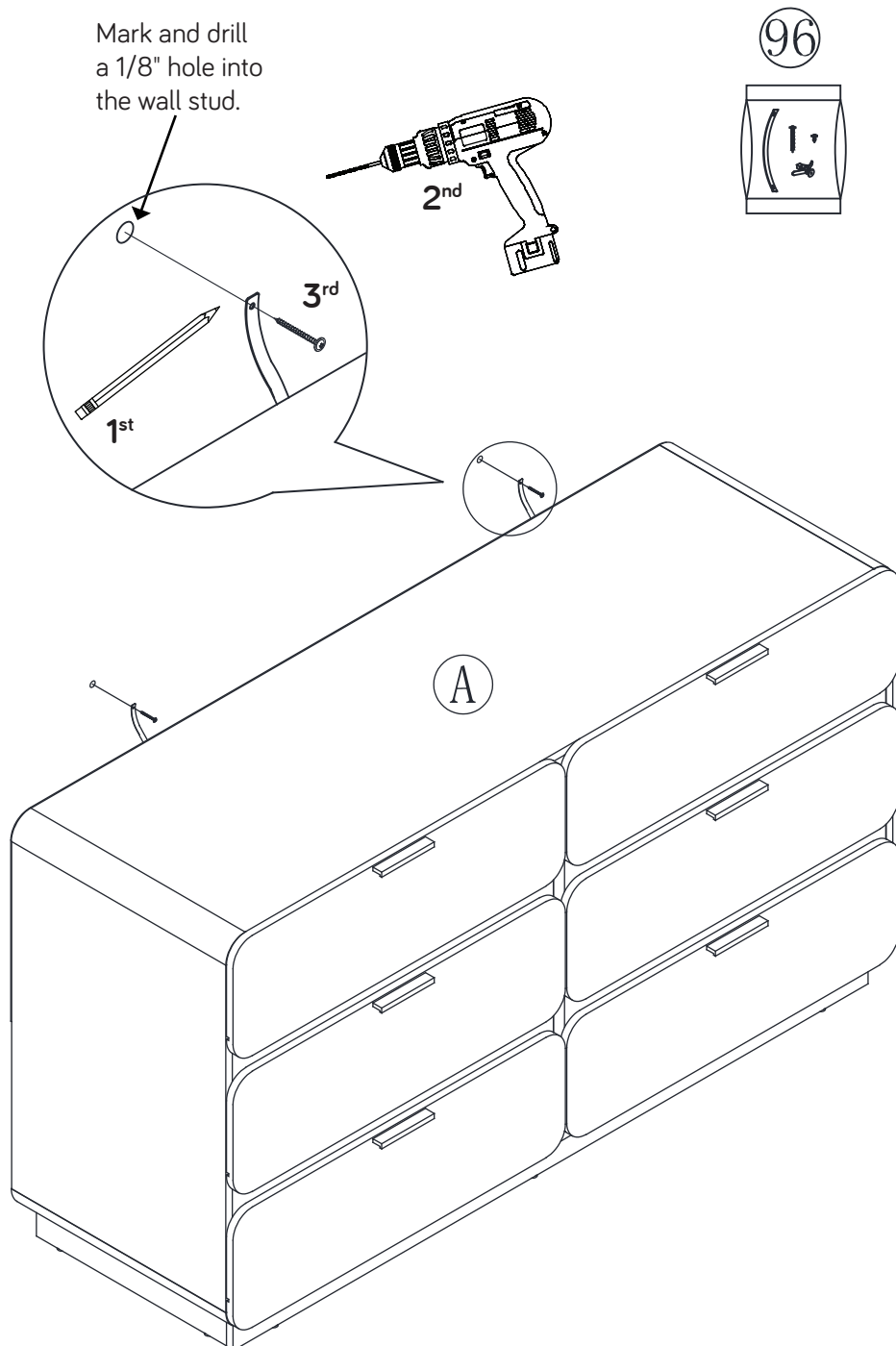
1st- With your pencil, strike a mark through the center of the hole in the SAFETY STRAP.

2nd- Drill a 1/8" hole on the mark.

3rd- While you squeeze the wings together, gently tap the WALL ANCHOR from the FURNITURE TIPPING RESTRAINT KIT (96) into the hole until it is even with the surface of the wall.

4th- Turn the LONG SCREW through the hole in the SAFETY STRAP and into the WALL ANCHOR.

NOTE: You will need to turn the LONG SCREW multiple turns to completely tighten and secure your unit.





# MANHATTAN COMFORT

---

## **WARRANTY POLICY**

All Manhattan Comfort furniture products are warranted, to the original purchaser at the time of purchase and for a period of 30 days thereafter.

Our warranty is limited to new products purchased in factory sealed cartons. This warranty is valid in the United States of America and Canada.

In order to provide you with timely assistance, please thoroughly inspect your furniture for missing or defective parts immediately after opening the carton.

Manhattan Comfort offers a 30-day parts replacement warranty on all items.

Our furniture products are not intended for outdoor use.

### THE WARRANTY DOES NOT COVER:

- Defects/damages by improper assembly or disassembly.
- Defects/damages caused by shipping. Claims for damage during transit should be placed immediately to the transportation company.
- Defects/damages caused by inappropriate use of the furniture.



319 Ridge Rd. Dayton, NJ 08810

908-888-0818