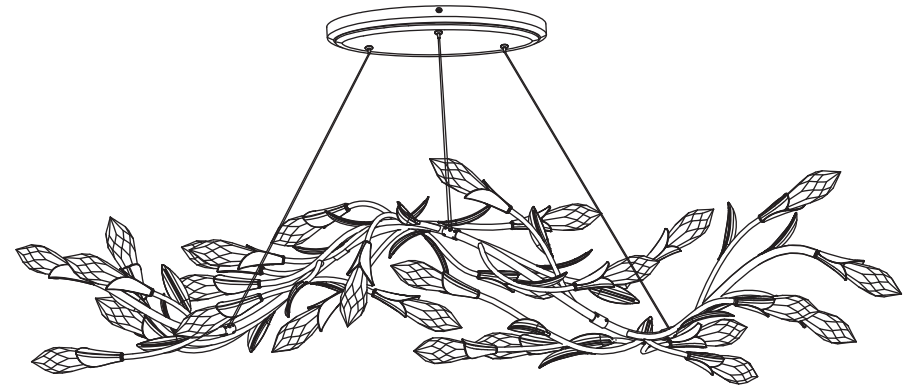


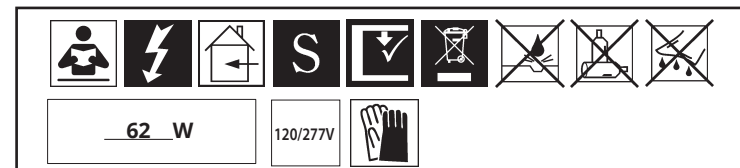
SCHONBEK
*Signature*TM

Secret Garden
S2456- __ __OH

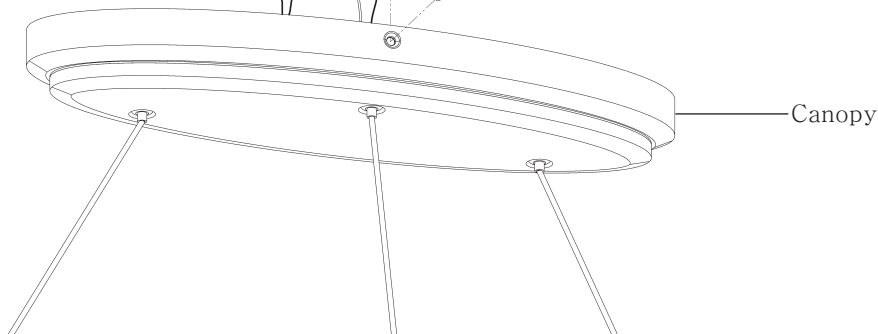
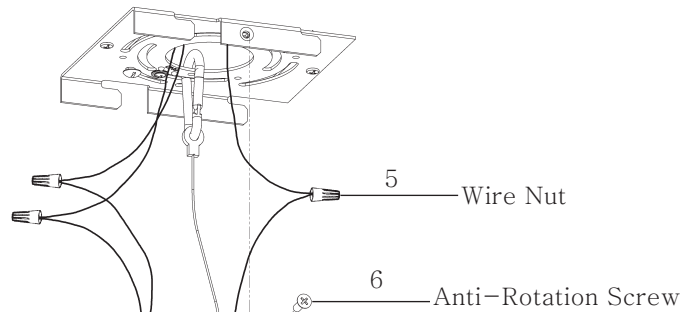
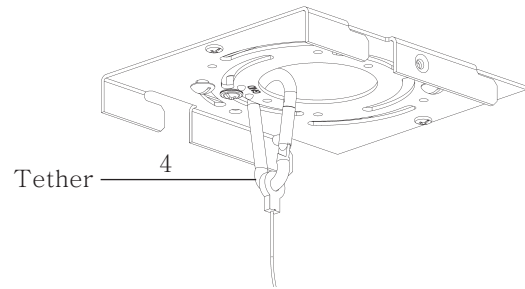
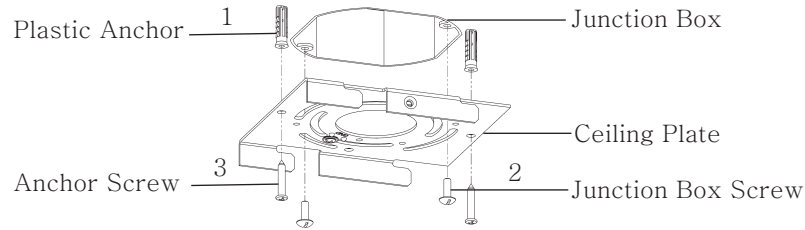


THIS DESIGN IS THE PROPRIETARY
TRADE DRESS/TRADEMARK OF
W SCHONBEK LLC.

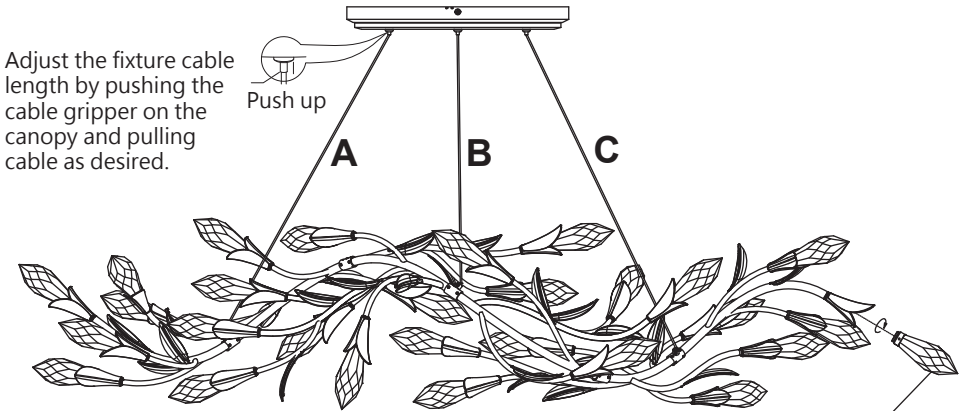
SCHONBEK
*Signature*TM



All electrical components must be installed by a licensed electrician in accordance with the National Electric Code and the appropriate local electrical codes.



Adjust the fixture cable length by pushing the cable gripper on the canopy and pulling cable as desired.

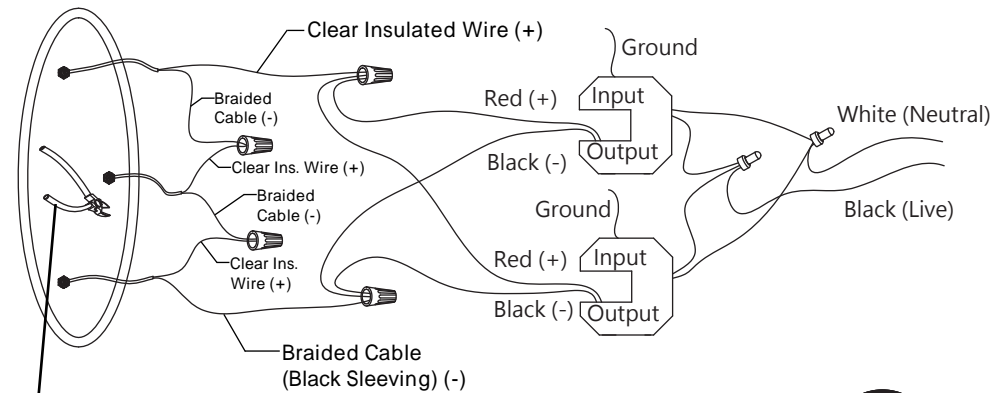


Crystal Bud
RPL-GLA-2434

To achieve appearance shown in image above, use these suggested cable lengths to hang from 9' ceiling:

- Cable A = 41"
- Cable B = 38"
- Cable C = 41"

For other hanging heights, adjust cables accordingly and keep pendant orientation consistent with above image.



If required after adjusting suspension height, trim cables and make wiring connections as shown

