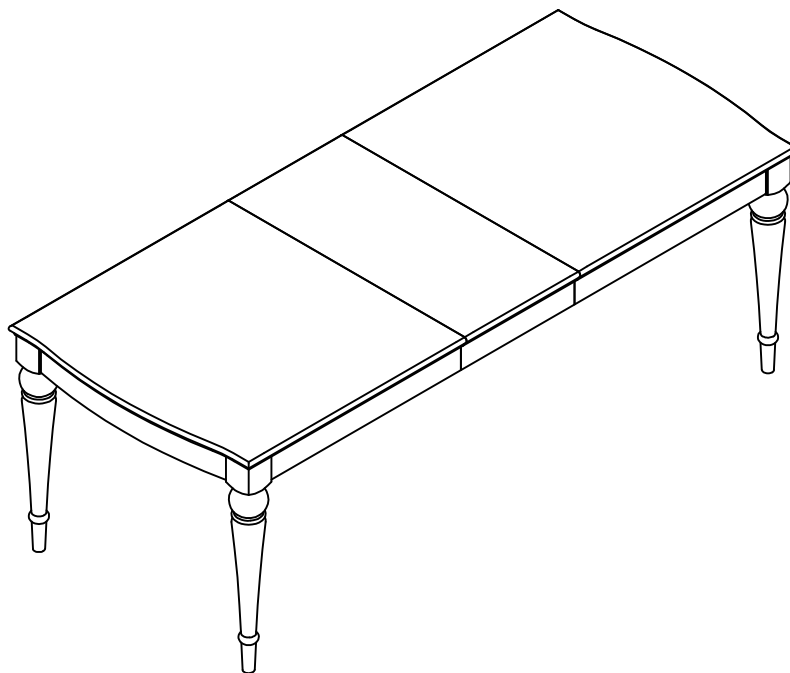


# 6-8 EXTENSION TABLE

---

Thank you for purchasing this product. Please read the instructions carefully before use to ensure safe and satisfactory operation of this product.

---



---

## Pre-assembly preparation

Please ensure instructions are read in full before attempting to assemble this product.

---

## Necessary Tools



---

Please check the pack contents before attempting to assemble this product. A full checklist of components is given in this leaflet. If any components are missing, please contact the retailer from whom you bought this product.

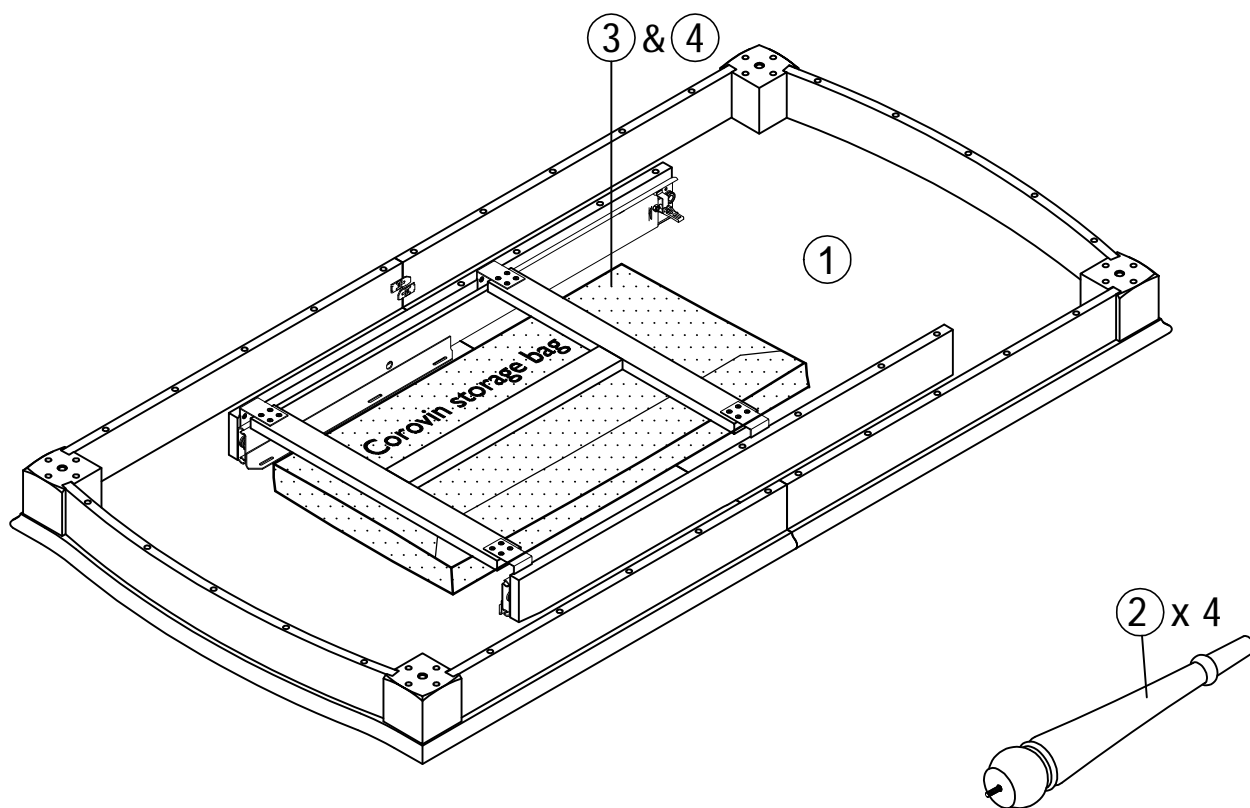
This product takes approximately **45 MINUTES** to assemble with **2 PEOPLE**.

All assembly should be performed on a flat, stable, clean and soft surface.

This product is **HEAVY**, it should be assembled as near as possible to the point of use. **TAKE CARE WHEN LIFTING** to avoid personal injury and (or) damage to the product

The fitting pack contains **SMALL ITEMS** which should be **KEPT AWAY FROM YOUNG CHILDREN**.

**IMPORTANT:** Retain these instructions for future reference.



## Parts checklist

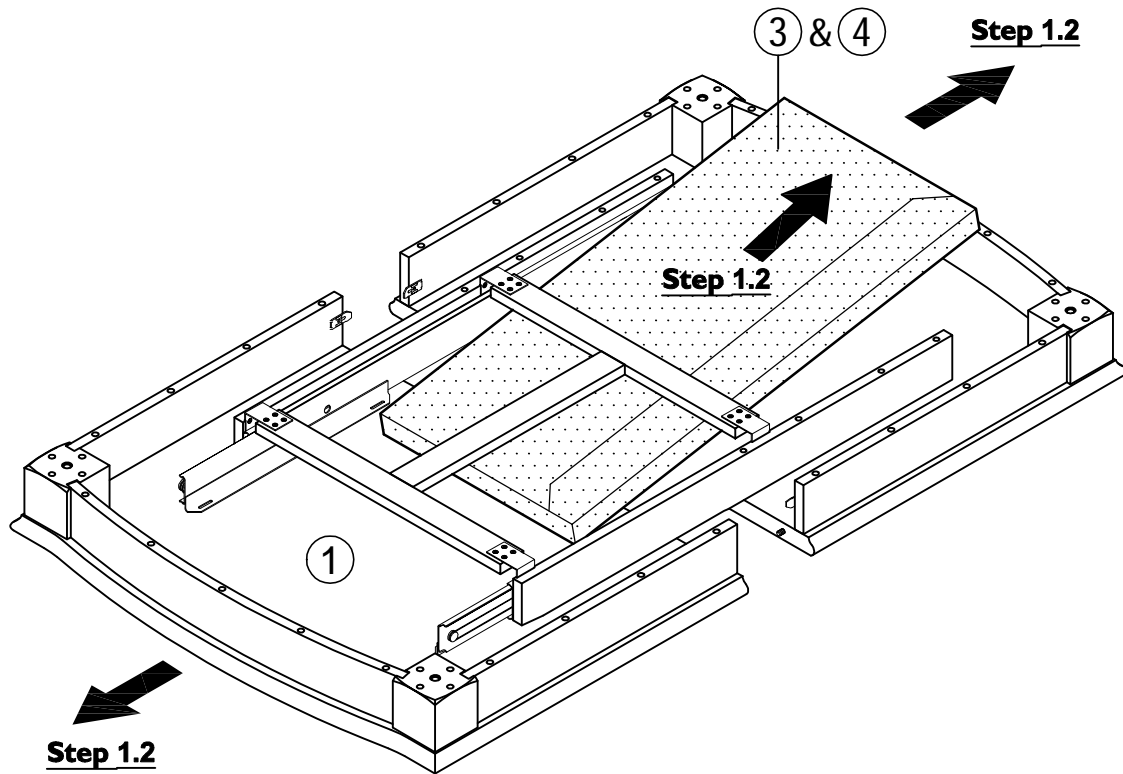
Item	Description	Qty.	Item	Description	Qty.
1	Table top	x 1	3	Leaf	x 1
2	Leg	x 4	4	Corovin storage bag	x 1

---

# Step By Step Assembly Instructions

---

- Step 1**
- 1.1 : Lay all parts on a flat, stable, clean and soft surface.
  - 1.2 : Extend both sides of the table tops (1) then carefully remove storage bag (3) containing leaf (4) as shown.



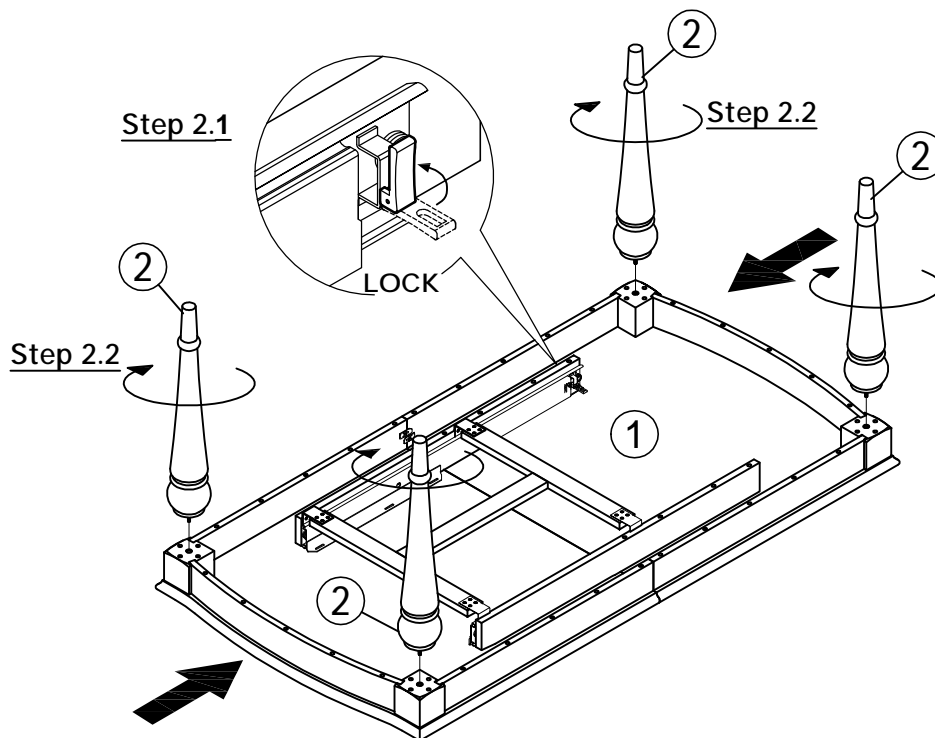
\* **ALERT**: MAKE SURE LEAF IS REMOVED BEFORE ASSEMBLY.

---

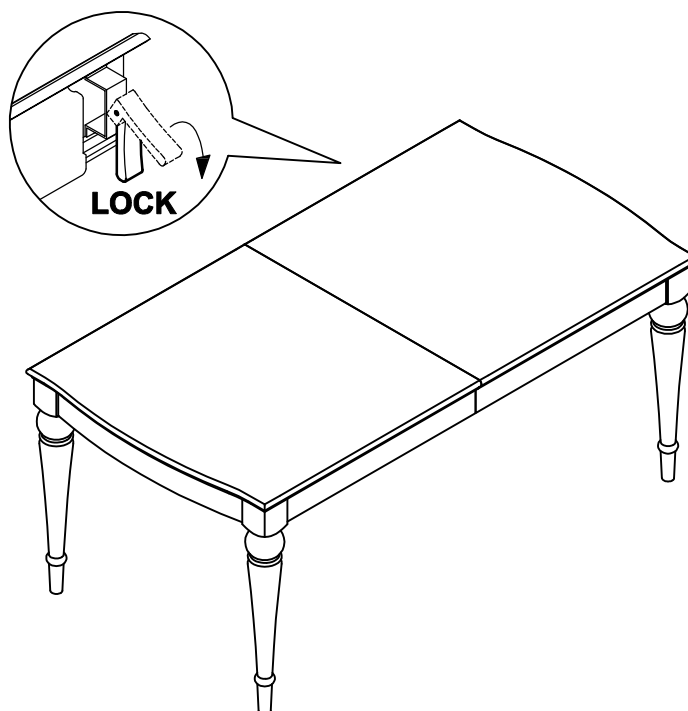
## Step By Step Assembly Instructions

---

- Step 2**
- 2.1 : Close table top and lock the slides as shown.
  - 2.2 : Screw each leg (2) into the fitting that is concealed in the pre-drilled hole on table top (1) as shown. Continue to re-tighten until the leg is securely fastened. Repeat above procedure for the remaining legs (2).



- Step 3**
- Important : Ensure you have already locked the slides in Step 2 before righting the table.  
Note : When moving the table, remove leaf, close table top and lock the slides, then move by gripping or lifting the legs or underframe.  
Caution : This product is heavy, with help of assistant stand the table upright.

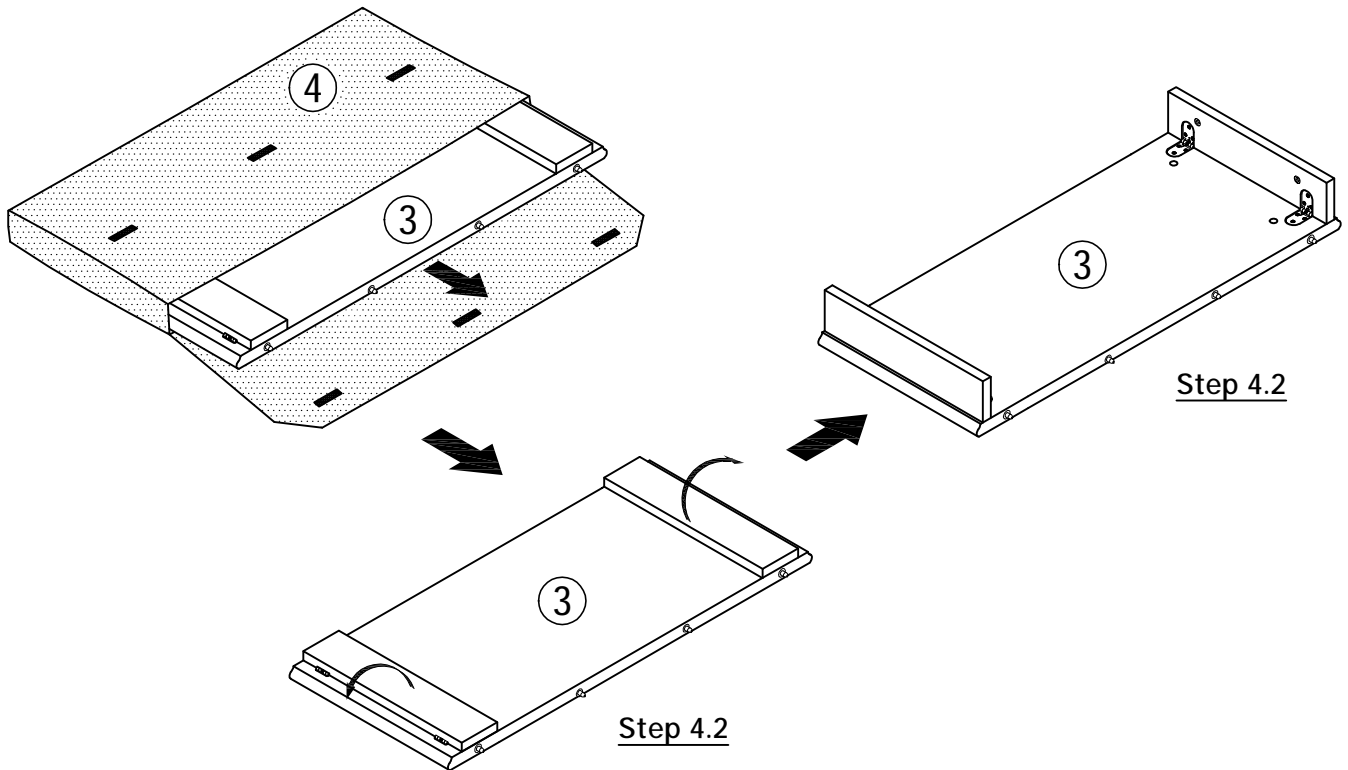


---

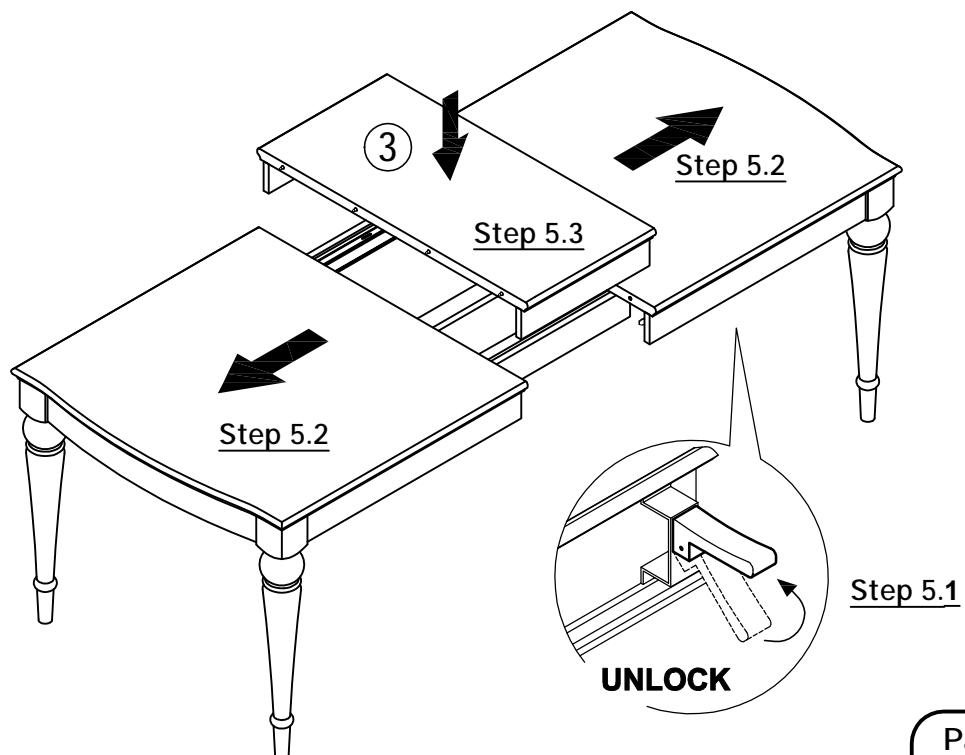
# Step By Step Assembly Instructions

---

- Step 4**
- 4.1 : Place storage bag (4) and leaf (3) onto a flat, stable, clean and soft surface.
  - 4.2 : Remove leaf (3) and fold open the leaf aprons as shown.



- Step 5**
- 5.1 : Unlock the slides that were locked in Step 2.
  - 5.2 : Extend the table by lifting up the end apron, then slide the structure all the way out as shown.
  - 5.3 : Place leaf (3) over the side aprons as shown.



---

## Step by step assembly instructions

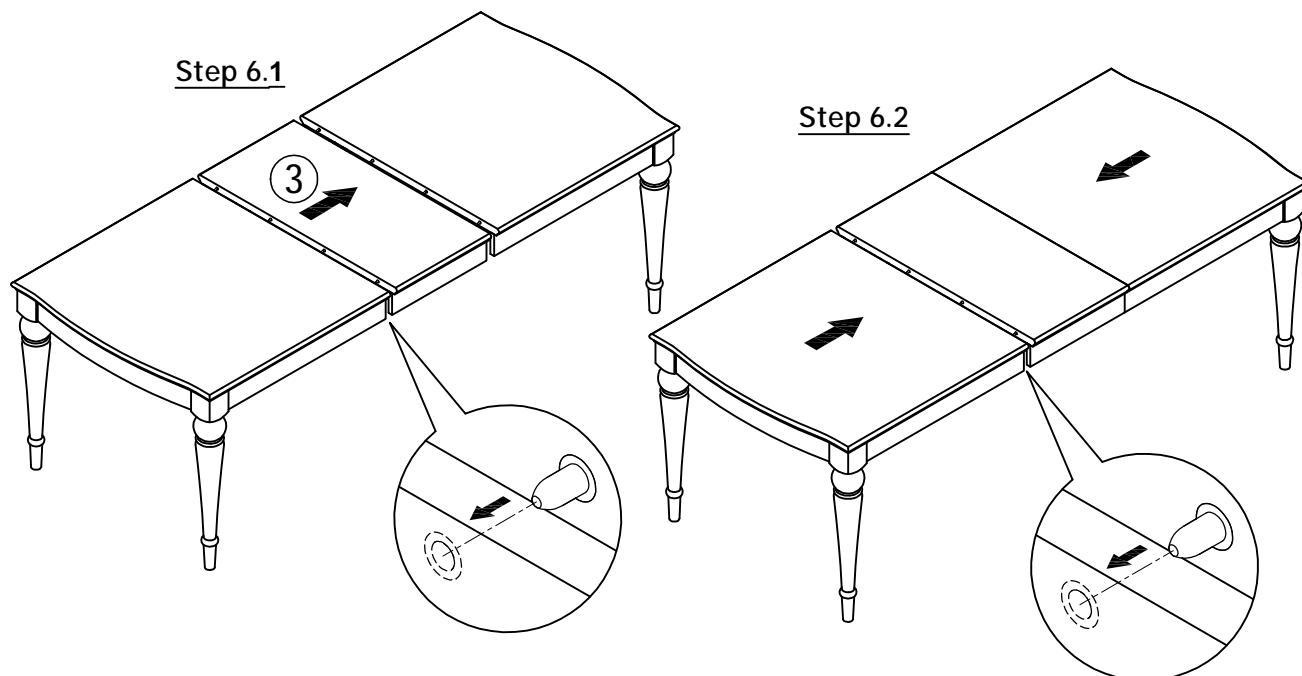
---

### Step 6

6.1: Slide leaf (3) to main table top until no gap is visible.

6.2: Push end apron inwards until no gap is visible.

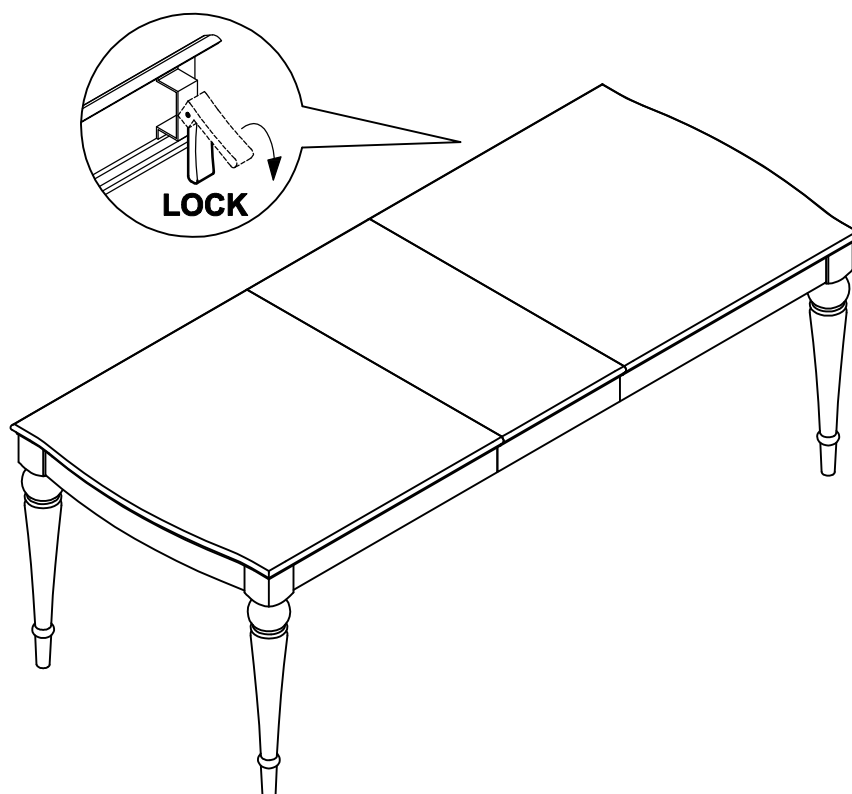
**Note:** Ensure the metal pins are aligned to the holes on the main table tops and the leaf before closing the table.



### Step 7

Ensure that you have locked the slides after closing the table as shown.

**Note:** When moving the table, remove leaf, close table top and lock the slides, then move by gripping or lifting the legs or underframe.



---

## Step By Step Assembly Instructions

---

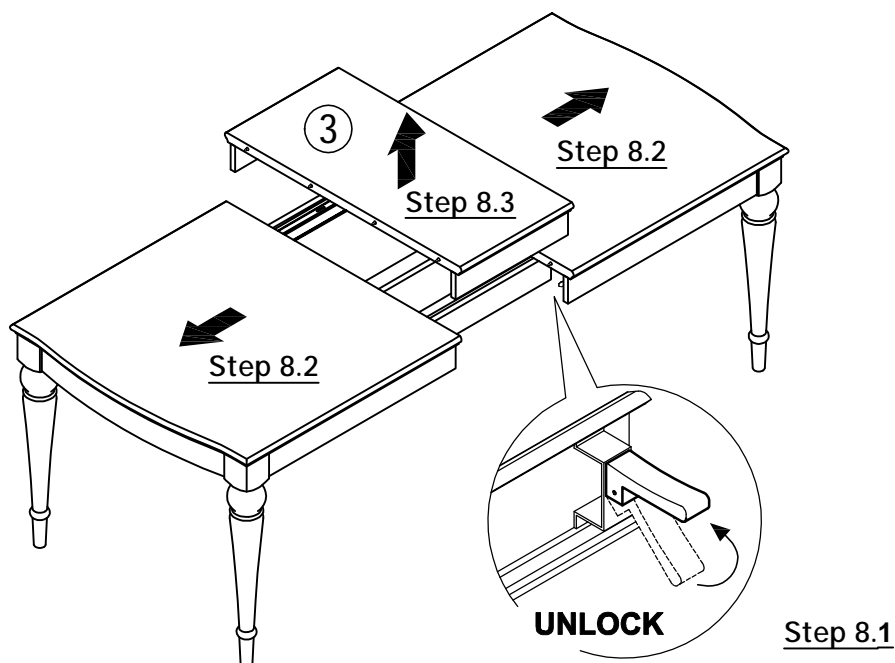
### Step 8

#### Remove the leaf

8.1 : Unlock the slides that were locked in Step 7.

8.2 : Extend the table by lifting up the end apron, then slide the structure all the way out as shown.

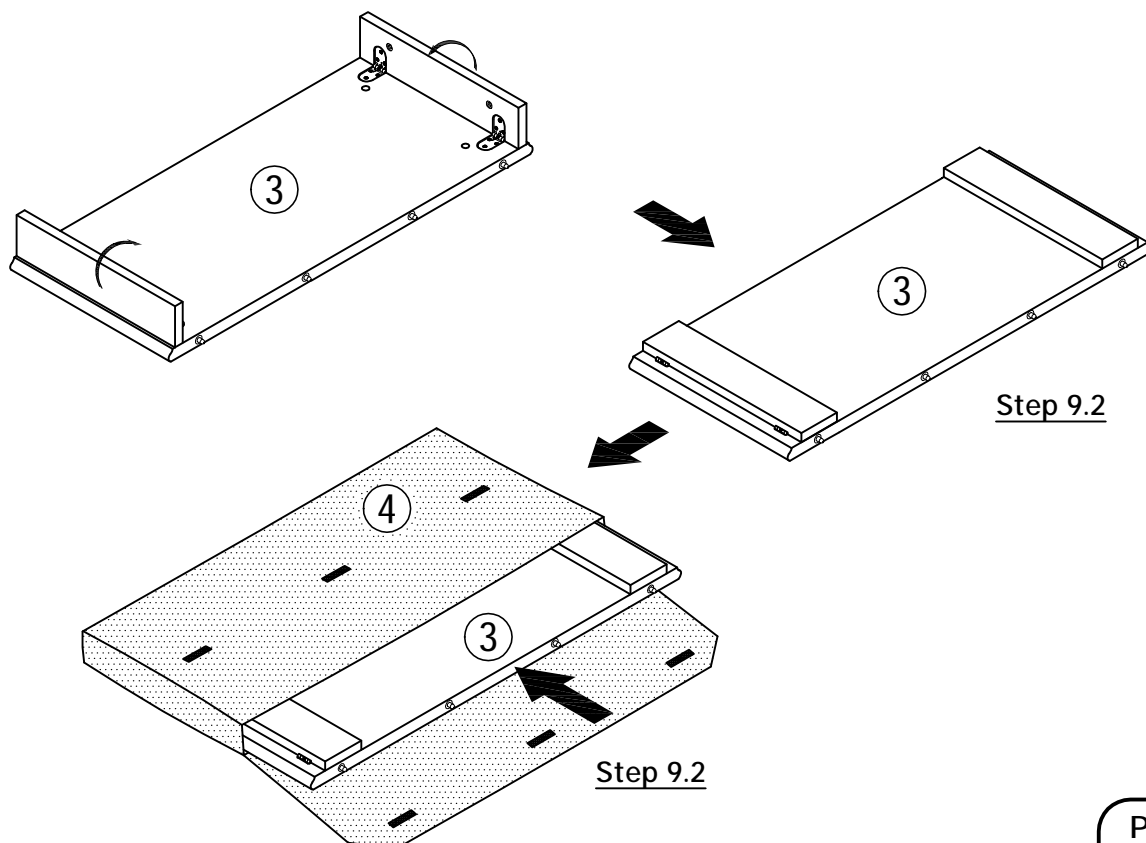
8.3 : Remove leaf (3) .



### Step 9

9.1 : Place leaf (3) and corovin storage bag (4) onto a flat, stable, clean and soft surface.

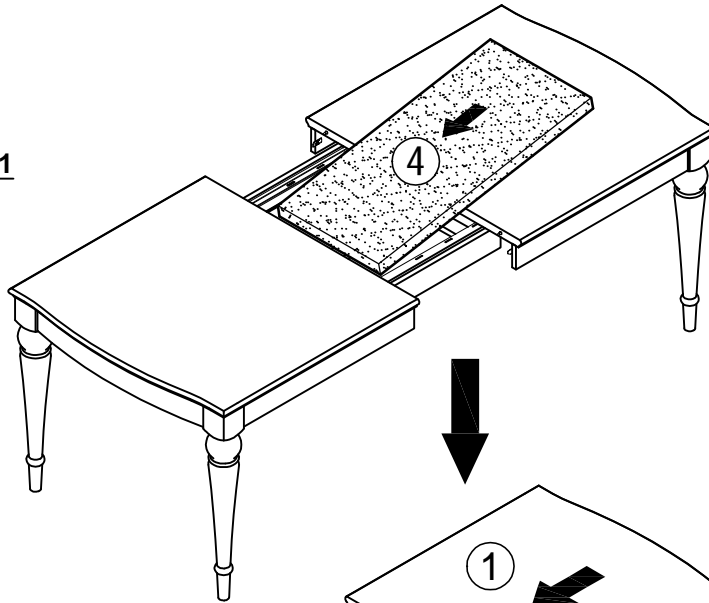
9.2 : Fold down the leaf aprons then place the leaf (3) into corovin storage bag (4) as shown.



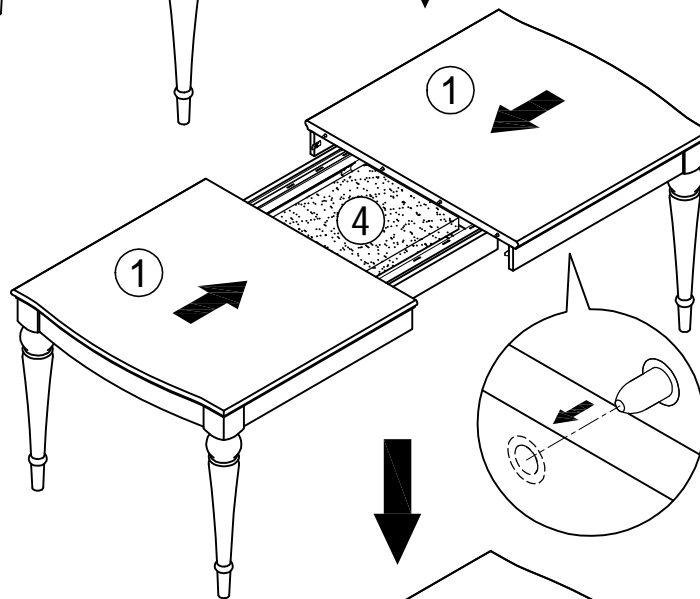
# Step By Step Assembly Instructions

- Step 10**
- 10.1 : Carefully place corovin storage bag (4) with leaf (3) onto wood support storage under table top as shown.
  - 10.2 : Close the table by lifting up the end apron, then slide the structure all the way in as shown. Ensure the metal pins on both table tops (1) are aligned correctly with the mating holes before closing.
  - 10.3 : Ensure that you have locked the slides after closing the table.

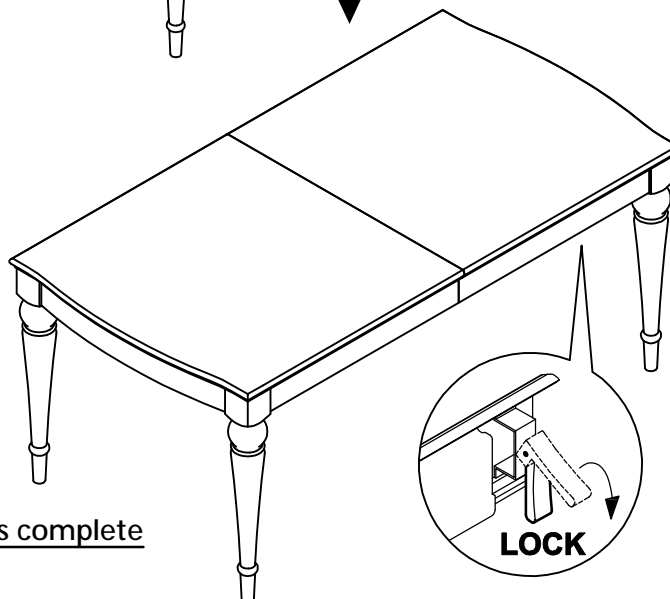
Step 10.1



Step 10.2



Step 10.3



Assembly is complete

---

# Care and Maintenance

## Wood Furniture

Wood displays different grain patterns depending on which way they are cut - for example, the 'medullary ray' which can appear on oak furniture is a mark of good quality timber - these are just characteristics of the natural beauty of the wood.

Some furniture is also deliberately aged and rustic.

Wood veneers also allow distinctive patterns to be created on some surfaces, such as table tops and drawer fronts by the way slivers are arranged.

All timber and veneer surfaces will change colour and mellow over time. New furniture will initially vary in shade from items that have been previously purchased.

### How to care for your wood furniture

Dust with a clean, damp, lint free cloth. Frequent dusting will remove abrasive build up, which can damage the finish over time.

Do not use a very wet cloth or allow any liquid to contact with the veneers for a long period of time as this can permanently damage the surface. Wipe up spills immediately.

Do not use any abrasive cleaner or harsh detergent as this can damage the surface of the furniture.

Spray polishes are best avoided as they contain silicones which may spoil the furniture's surface when building up over time.

Make sure all surfaces are protected from heat and liquids by mats and coasters.

Ensure that a mat or pad is placed under paper when you are writing on the furniture surface.

Do not place rubber, cork, vinyl or plastic materials on the wood finish as chemicals within may react with the finish if left in contact for an extended period of time.

Our furniture will endure most temperatures in the home but it is best to avoid placing furniture next to heat sources such as radiators or fires. Be particularly careful with solid wood as the lack of humidity caused by home heating can cause damage such as warping, cracking or splitting.

Excessive exposure to sunlight can cause fading of your furniture.

Avoid exposing your furniture to any liquids. All liquids should be wiped up immediately with a soft, slightly damp cloth in the direction of the wood grain. If sticky liquid residues do occur, they may be removed with a dilute solution of warm soapy water followed by a clean, damp sponge. The area should then be wiped immediately in the direction of the wood grain with a clean, soft white cloth until completely dry.

Nail polish remover, hairspray, perfume, potpourri & any other products that contains solvents can damage wood upholstery finishes.

### Safety Instructions:

Never drag furniture when moving it. Always lift it.

Periodically check all fixings to ensure none have come loose. Re-tighten when necessary.

Please take care when handling or moving the furniture as careless handling may cause damage or injury.

Furniture can be dangerous if incorrectly assembled. Assembly should be carried out by a competent person.

No liability will be accepted for damage or injury caused by incorrectly installed or assembled furniture.

### Heavy item warning:

It is recommended to seek assistance when moving a heavy object. Take care when lifting to avoid personal injury and (or) damage to the product.

It is recommended that before moving a heavy object to a new location it is completely dis-assembled to avoid personal injury or damage to the furniture. Please be careful to retain all fittings when doing this.

### Extendable table warning:

Extendable dining tables should be left extended for the first few months to avoid an uneven appearance.

Likewise, lamps and ornaments should also be moved regularly.

---

PLEASE KEEP THESE INSTRUCTIONS FOR FUTURE REFERENCE