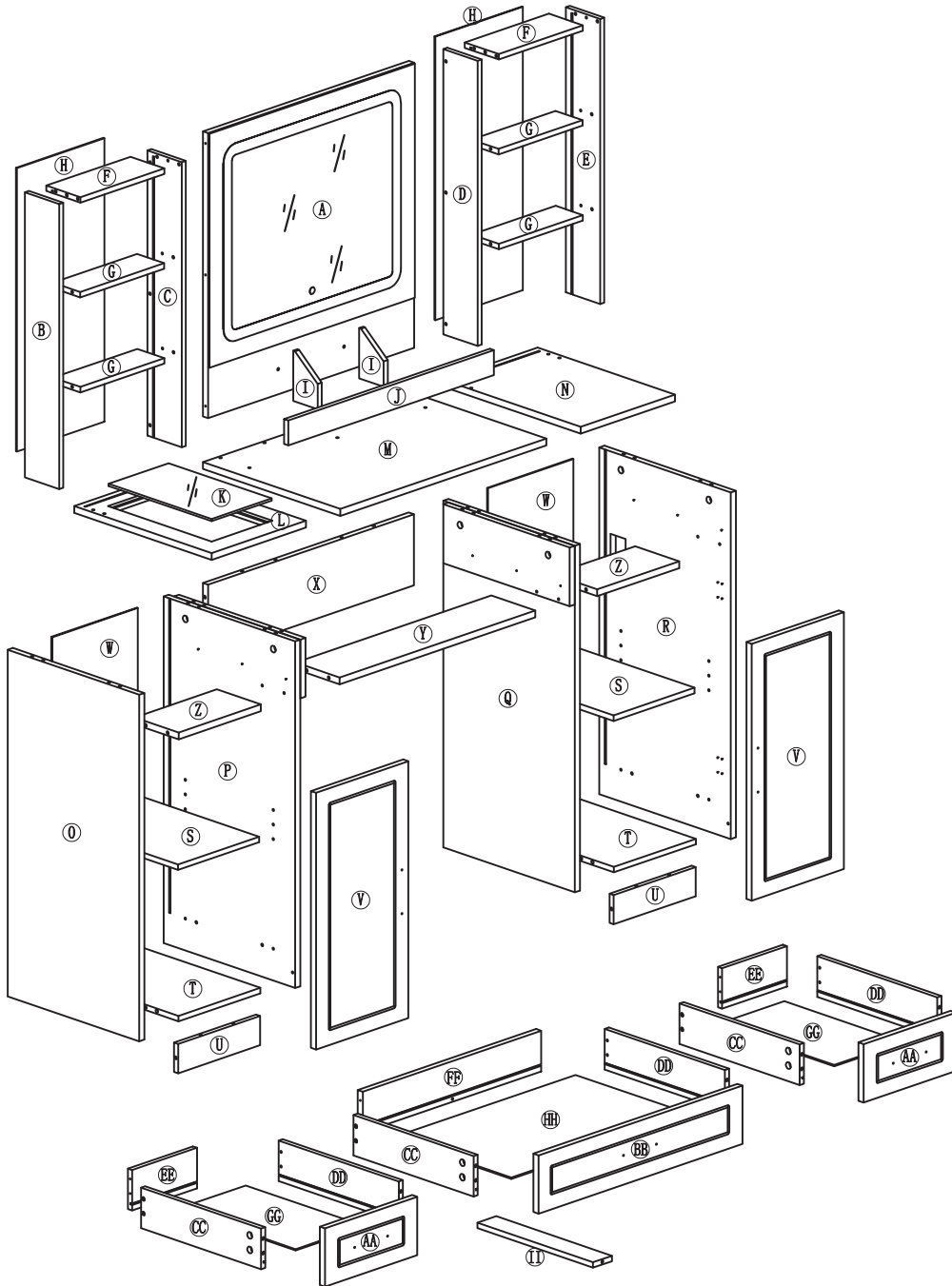


VANITY DESK

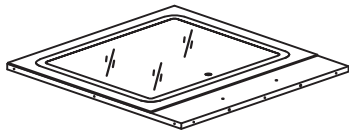
USER MANUAL

1

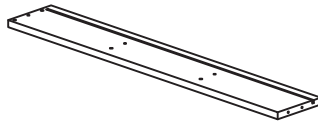
ASSEMBLY INSTRUCTIONS



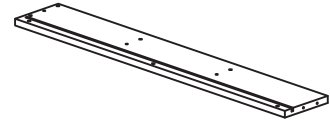
2



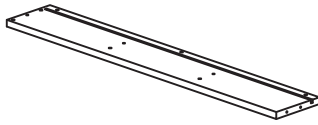
(A) *1PC



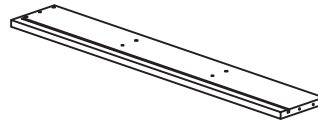
(B) *1PC



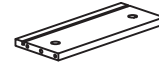
(C) *1PC



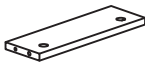
(D) *1PC



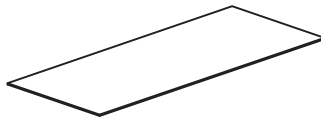
(E) *1PC



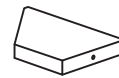
(F) *2PCS



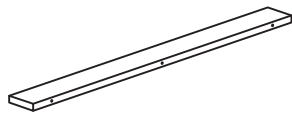
(G) *4PCS



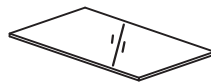
(H) *2PCS



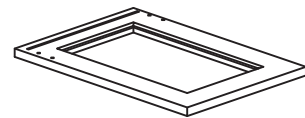
(I) *2PCS



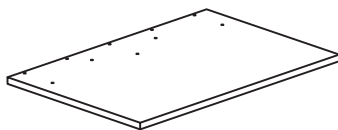
(J) *1PC



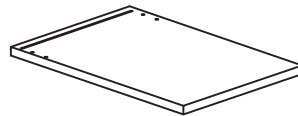
(K) *1PC



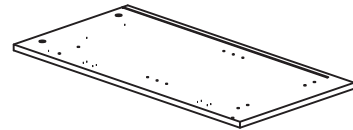
(L) *1PC



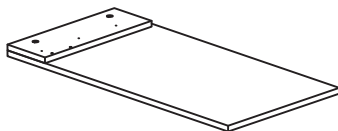
(M) *1PC



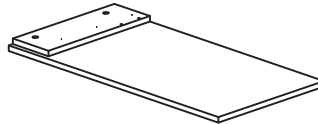
(N) *1PC



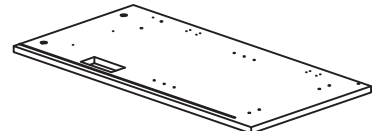
(O) *1PC



(P) *1PC

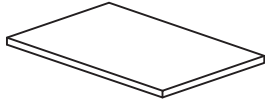


(Q) *1PC

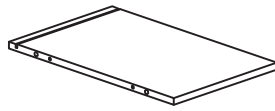


(R) *1PC

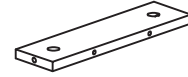
3



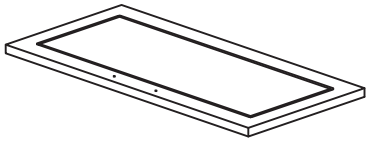
(S) *2PCS



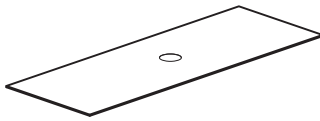
(T) *2PCS



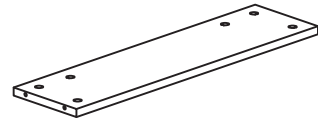
(U) *2PCS



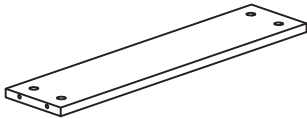
(V) *2PCS



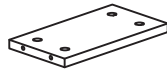
(W) *2PCS



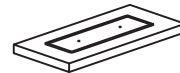
(X) *1PC



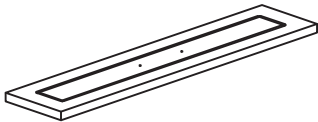
(Y) *1PC



(Z) *2PCS



(AA) *2PCS



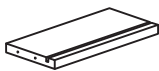
(BB) *1PC



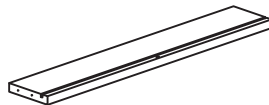
(CC) *3PCS



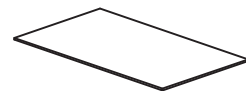
(DD) *3PCS



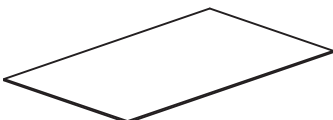
(EE) *2PCS



(FF) *1PCS



(GG) *2PCS

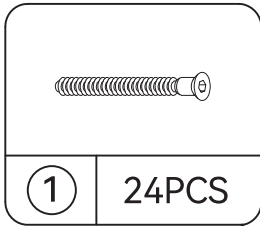


(HH) *1PC



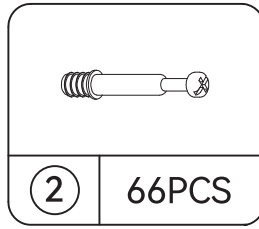
(II) *1PC

4



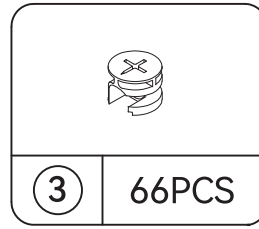
① 24PCS

M5*50



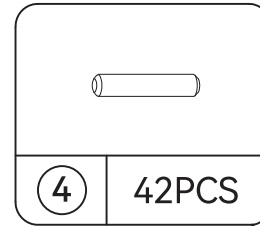
② 66PCS

ØM6*40



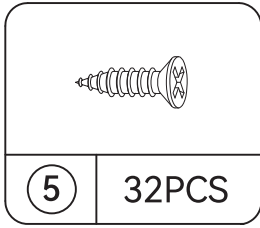
③ 66PCS

Ø15*10



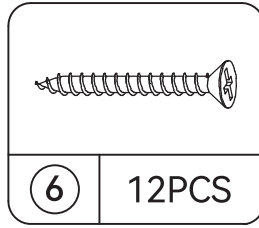
④ 42PCS

Ø 6*30



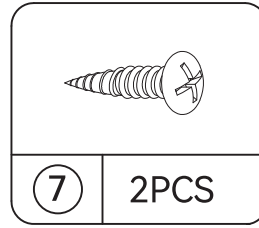
⑤ 32PCS

ØM3.5*14



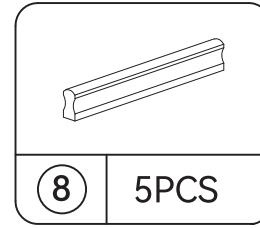
⑥ 12PCS

M4*35

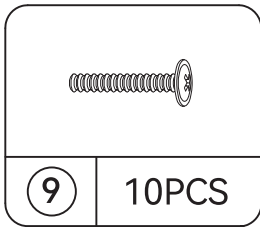


⑦ 2PCS

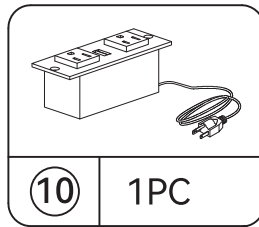
ØM4*14



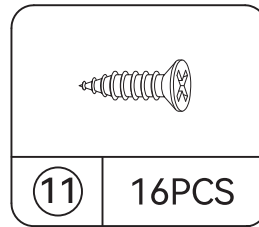
⑧ 5PCS



⑨ 10PCS

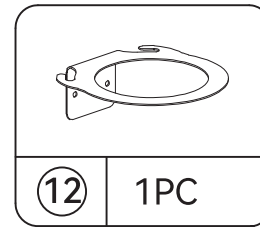


⑩ 1PC

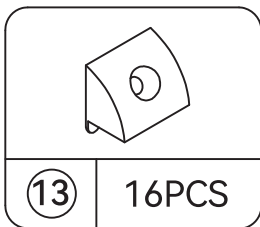


⑪ 16PCS

M3*16

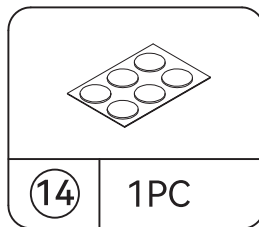


⑫ 1PC

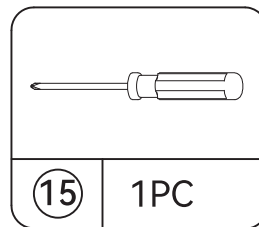


⑬ 16PCS

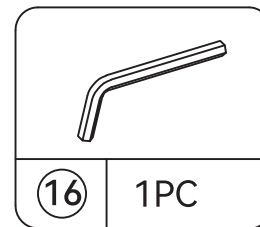
14*14*8.5



⑭ 1PC

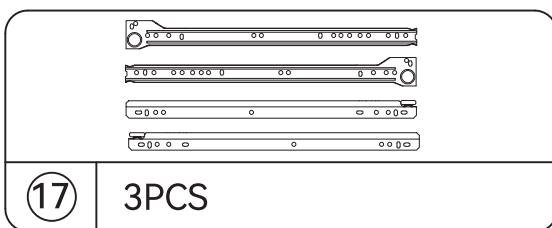


⑮ 1PC

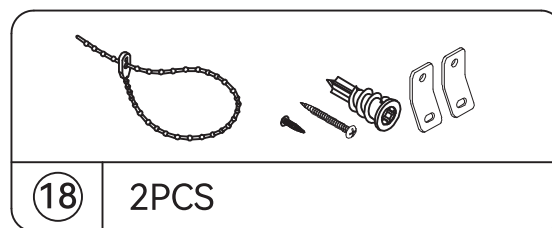


⑯ 1PC

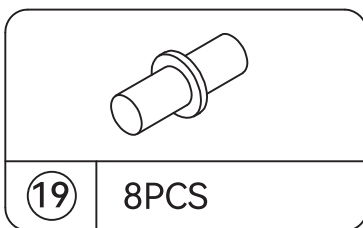
3mm



⑰ 3PCS

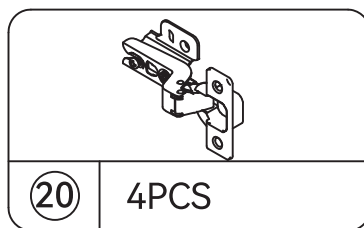


⑱ 2PCS

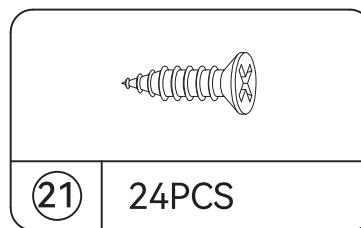


⑲ 8PCS

Ø 5*16



⑳ 4PCS

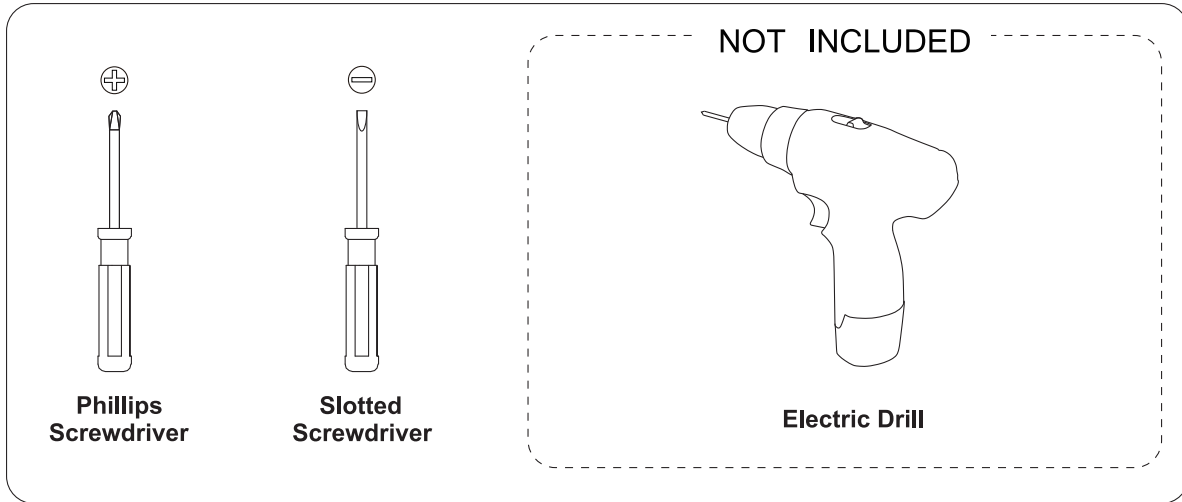


㉑ 24PCS

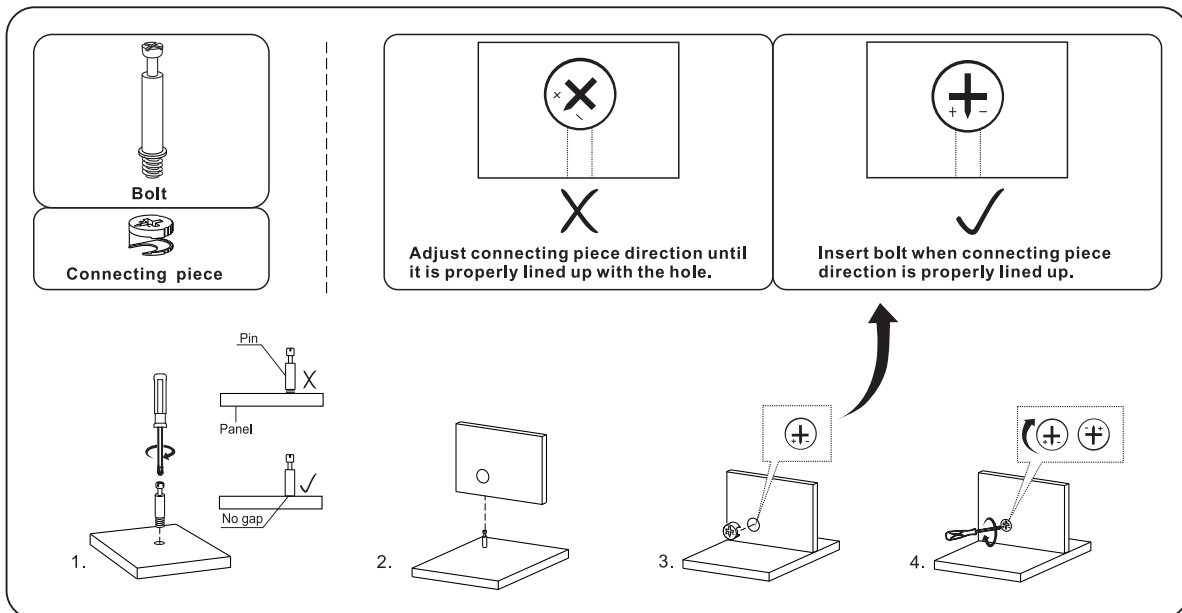
M4*14

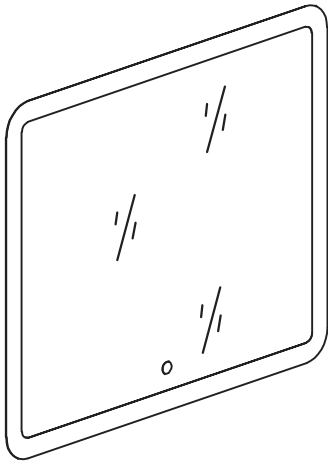
5

TOOL REQUIRED



INTRODUCTION





Please power on and inspect the mirror before assembly to ensure it operates normally. Begin assembly only after confirming its proper functionality.

BUTTON FUNCTION DESCRIPTION

1.Backlight: The backlight of the button displays a white light when on standby. When activated, it displays a blue light.

2.Switch: Press the button to turn on the LED light. When the LED light is on, press the button within 10 seconds to cycle through (white-warm-dual color-off) color temperatures. If no operation is performed for over 10 seconds in any color temperature mode, pressing the button again will turn off the LED light.

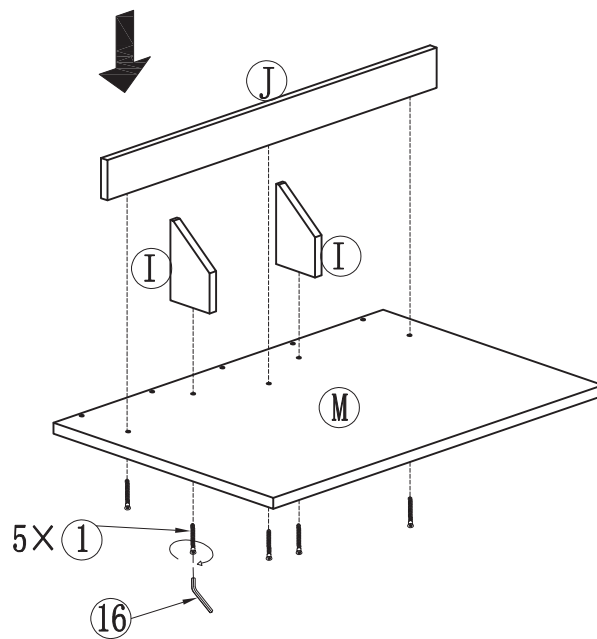
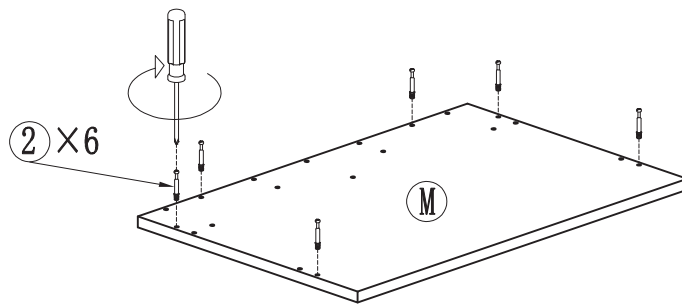
3.Infinite dimming: When the LED light is on, you can hold the switch button for 3 seconds under any light color, which will control the LED light to go from brightest to dimmest. Holding the switch button for 3 seconds again will control the LED light to go from dimmest to brightest.

4.Memory function: After the LED light is turned off in any brightness and color temperature, when turned on again, it will return to the previous color temperature and brightness state.

5.Sleep: When on standby, holding the button can turn off the backlight of the button. Press it again to wake up and turn on the backlight, along with the LED light.

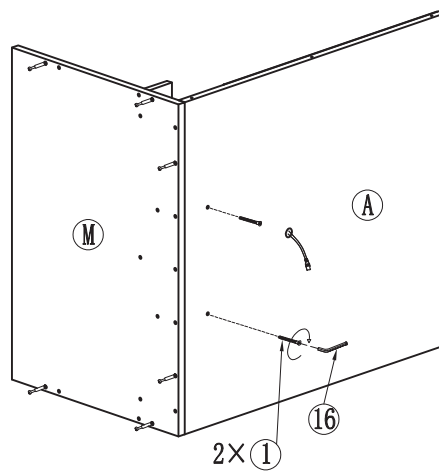
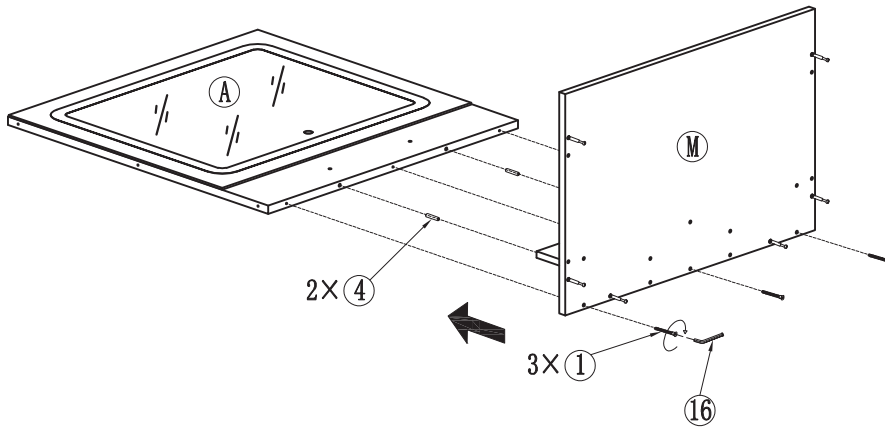
7

STEP 1



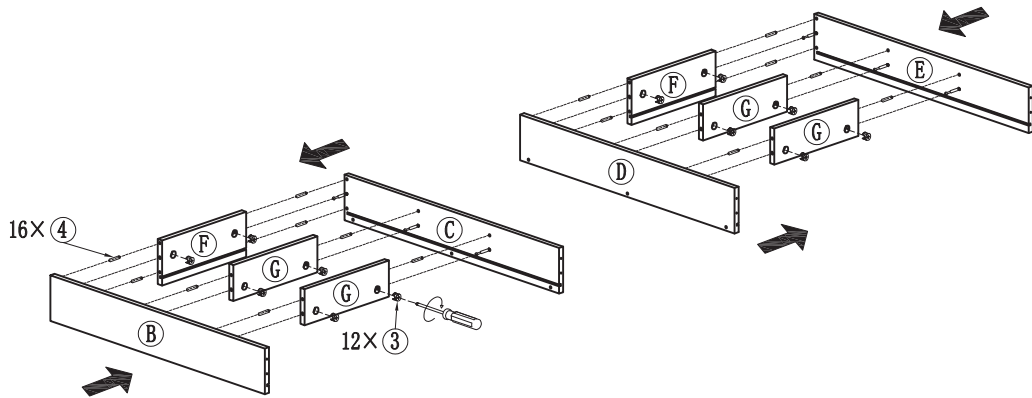
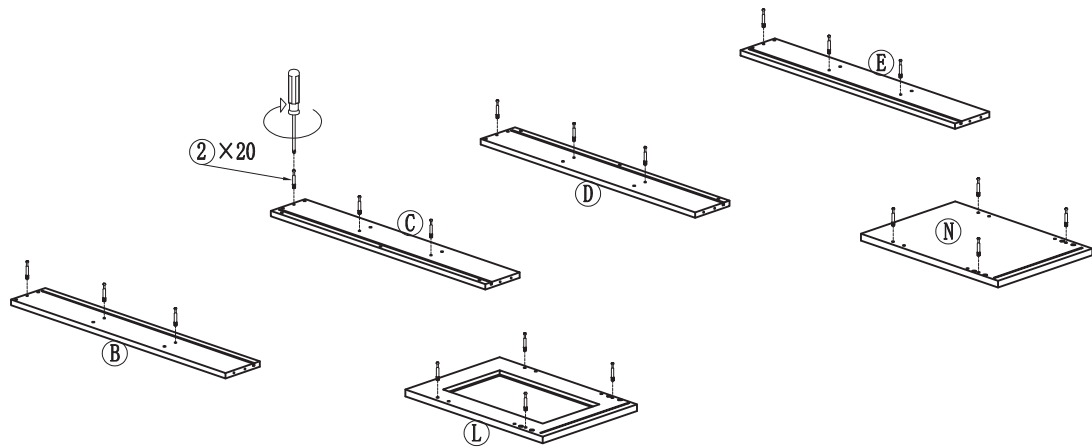
8

STEP 2



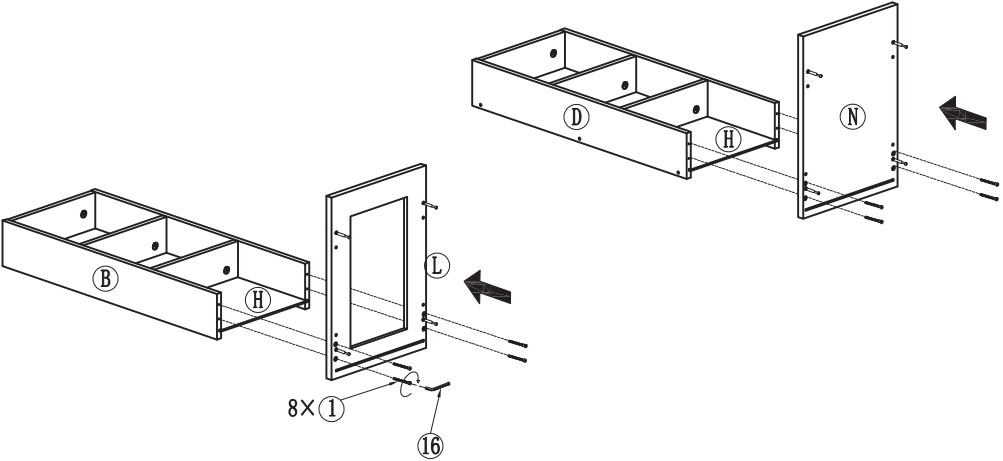
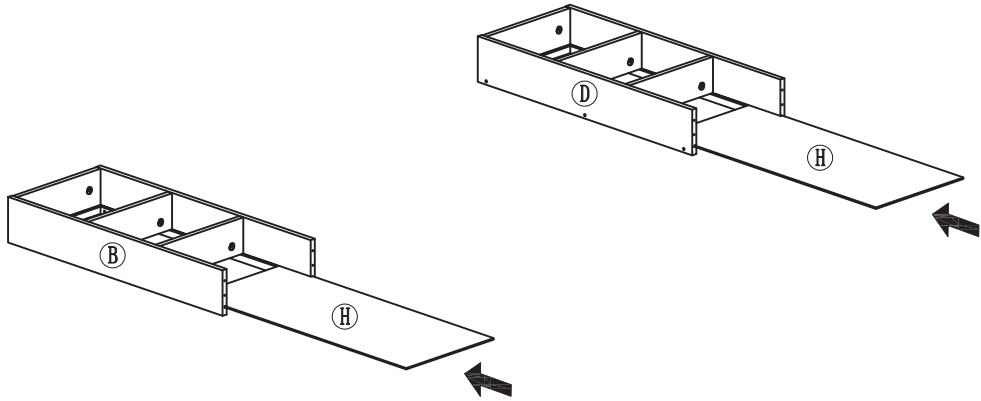
9

STEP 3

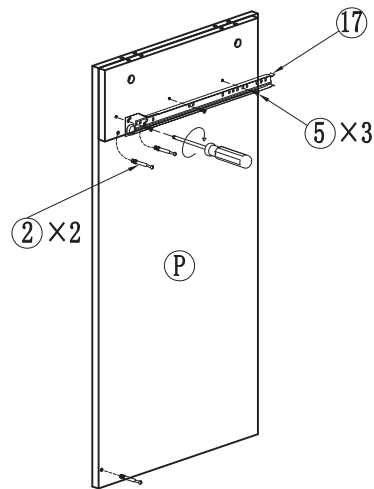
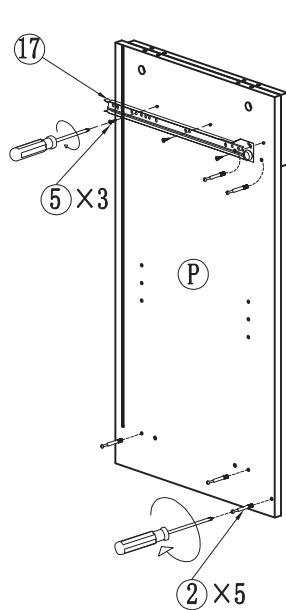
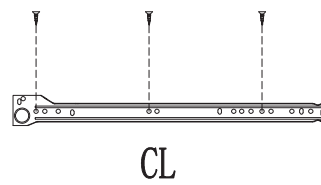
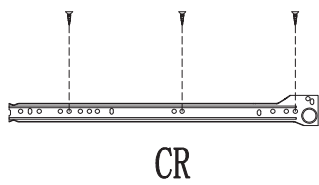
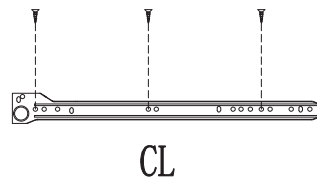
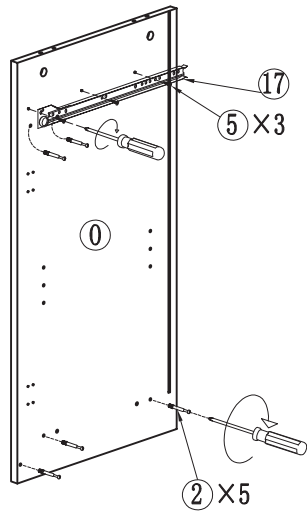


10

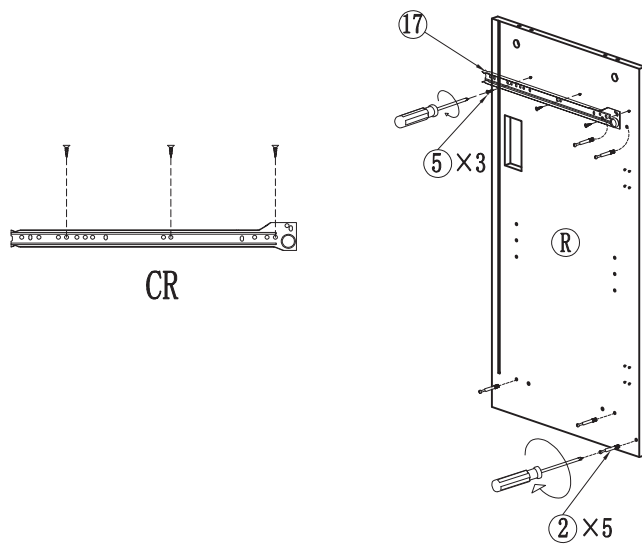
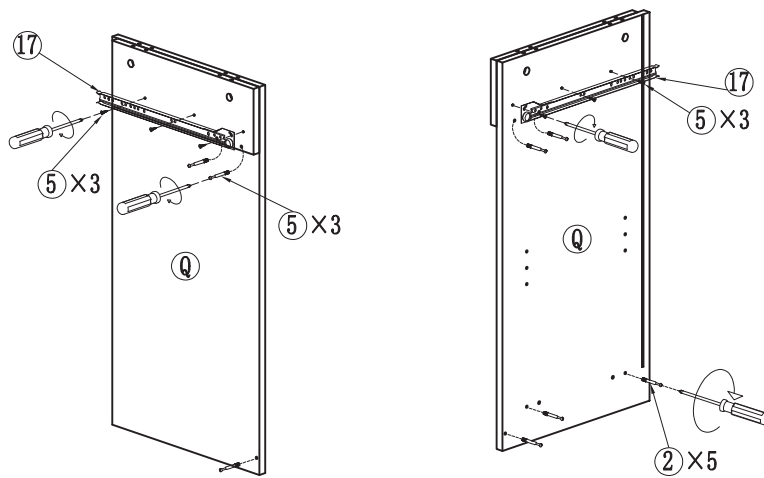
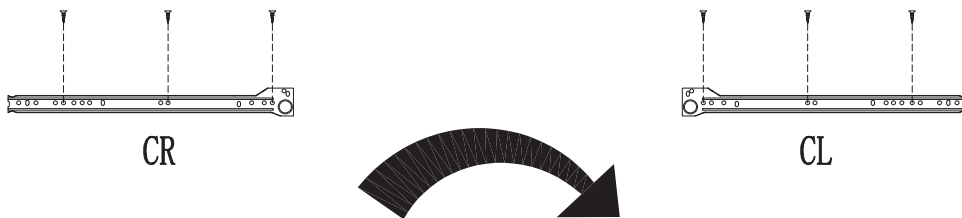
STEP 4



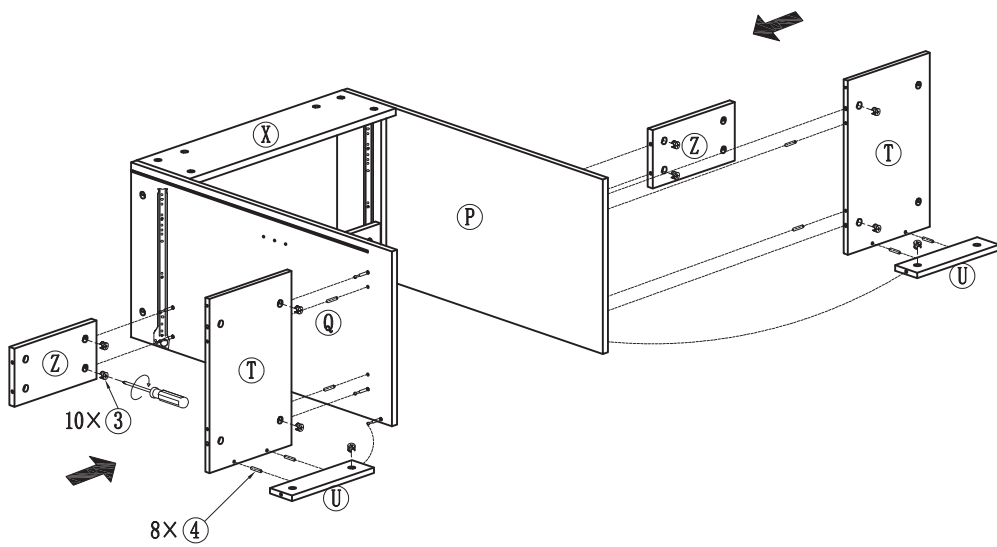
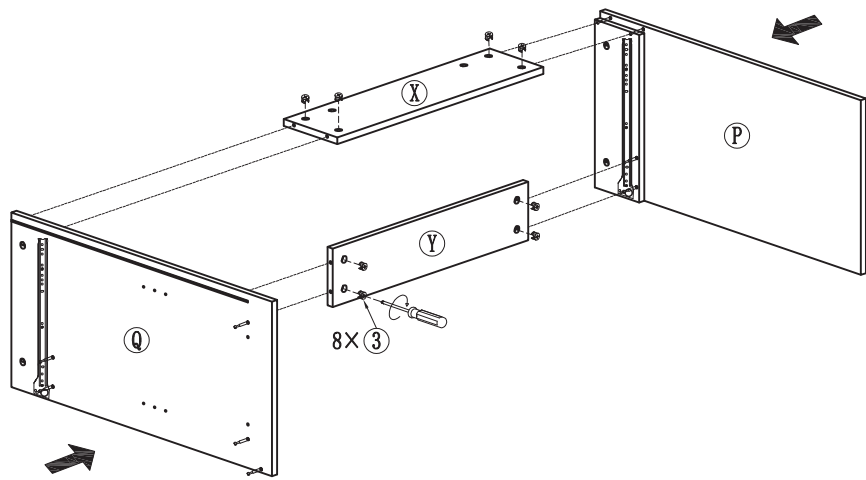
STEP 5



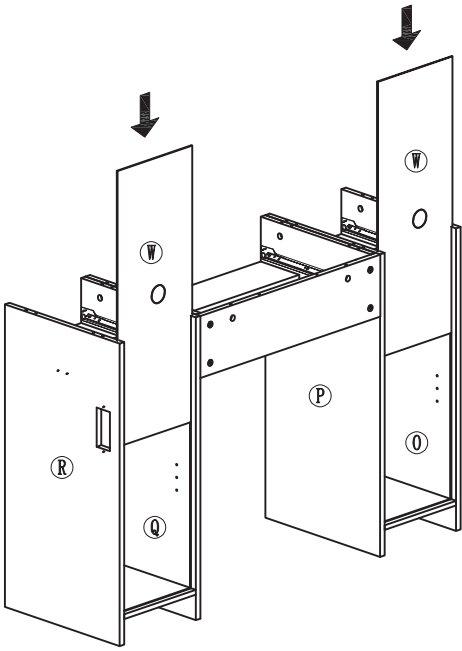
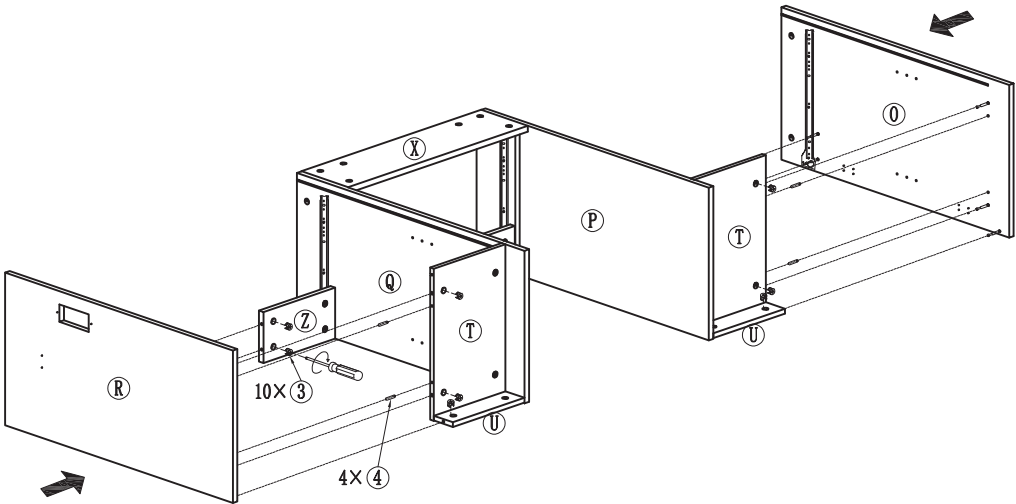
STEP 6



STEP 7

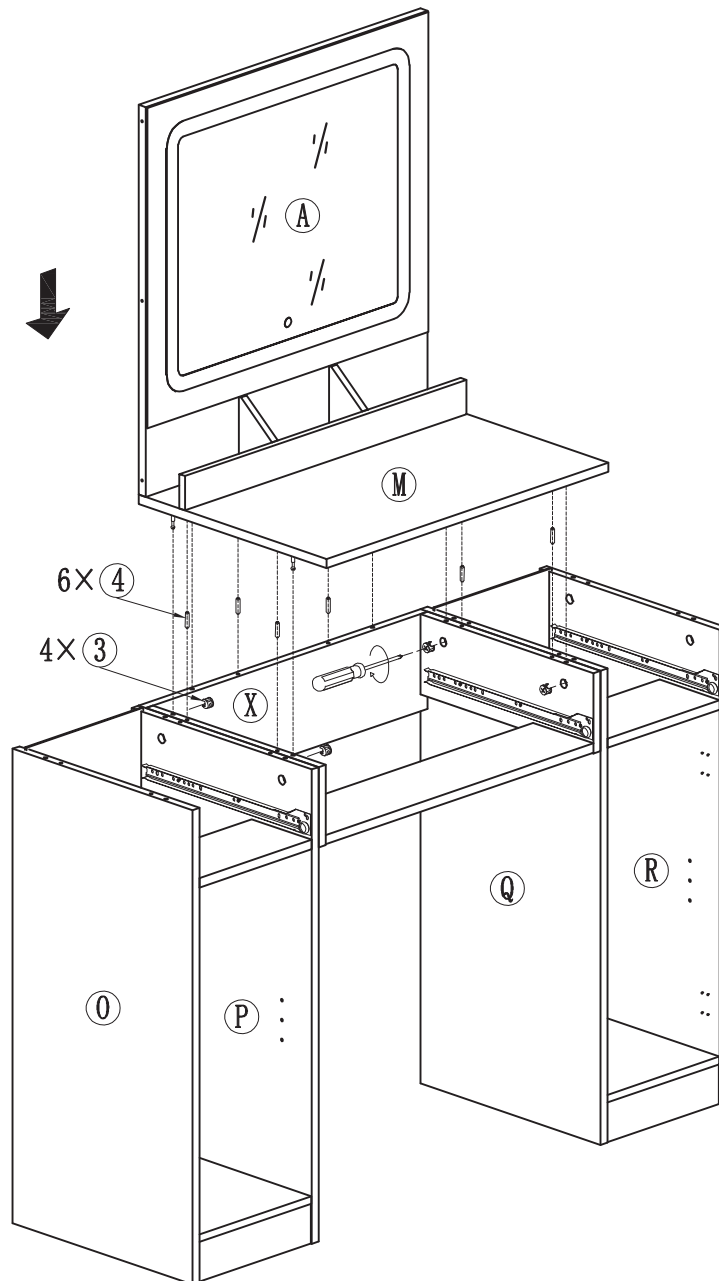


STEP 8

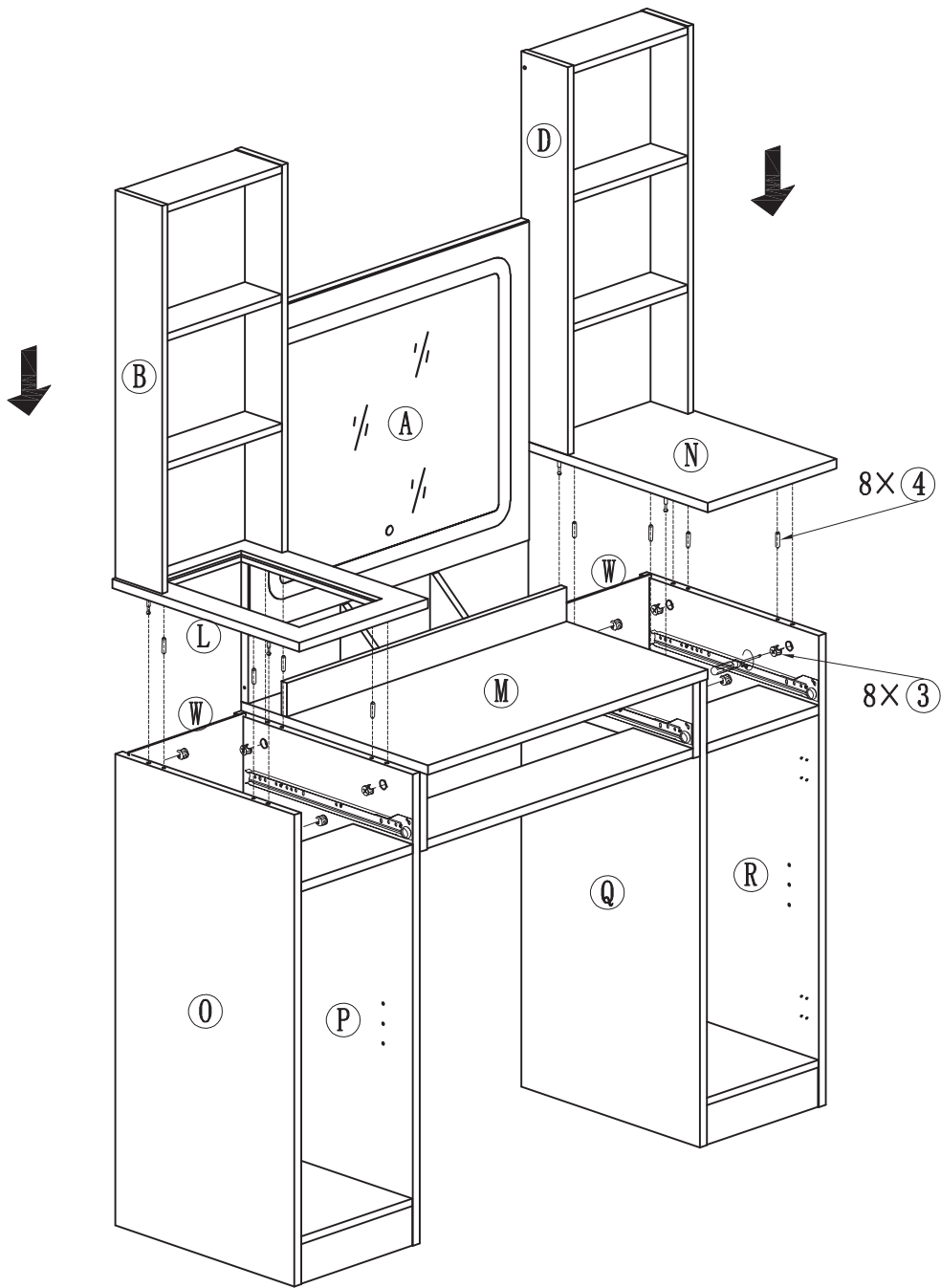


15

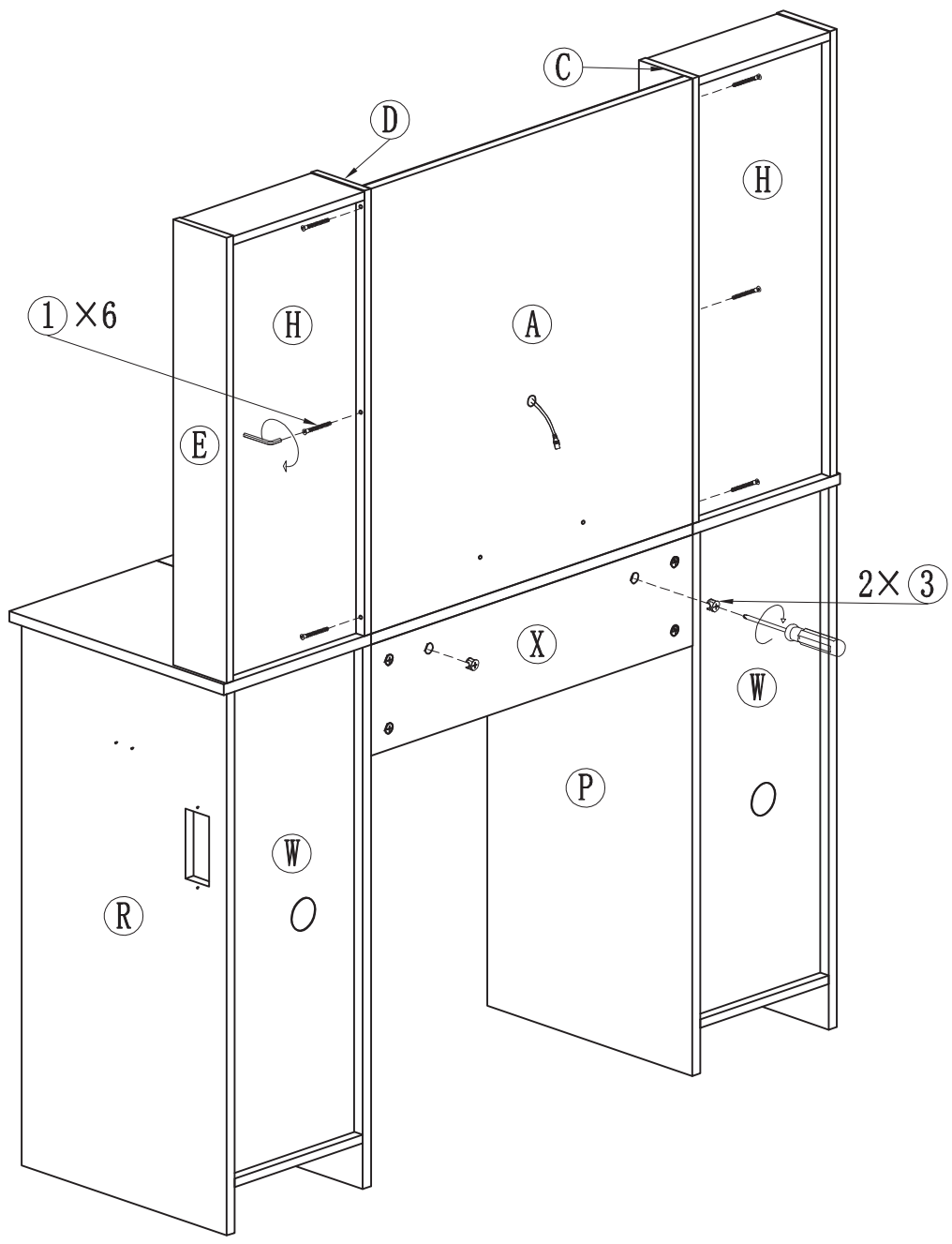
STEP 9



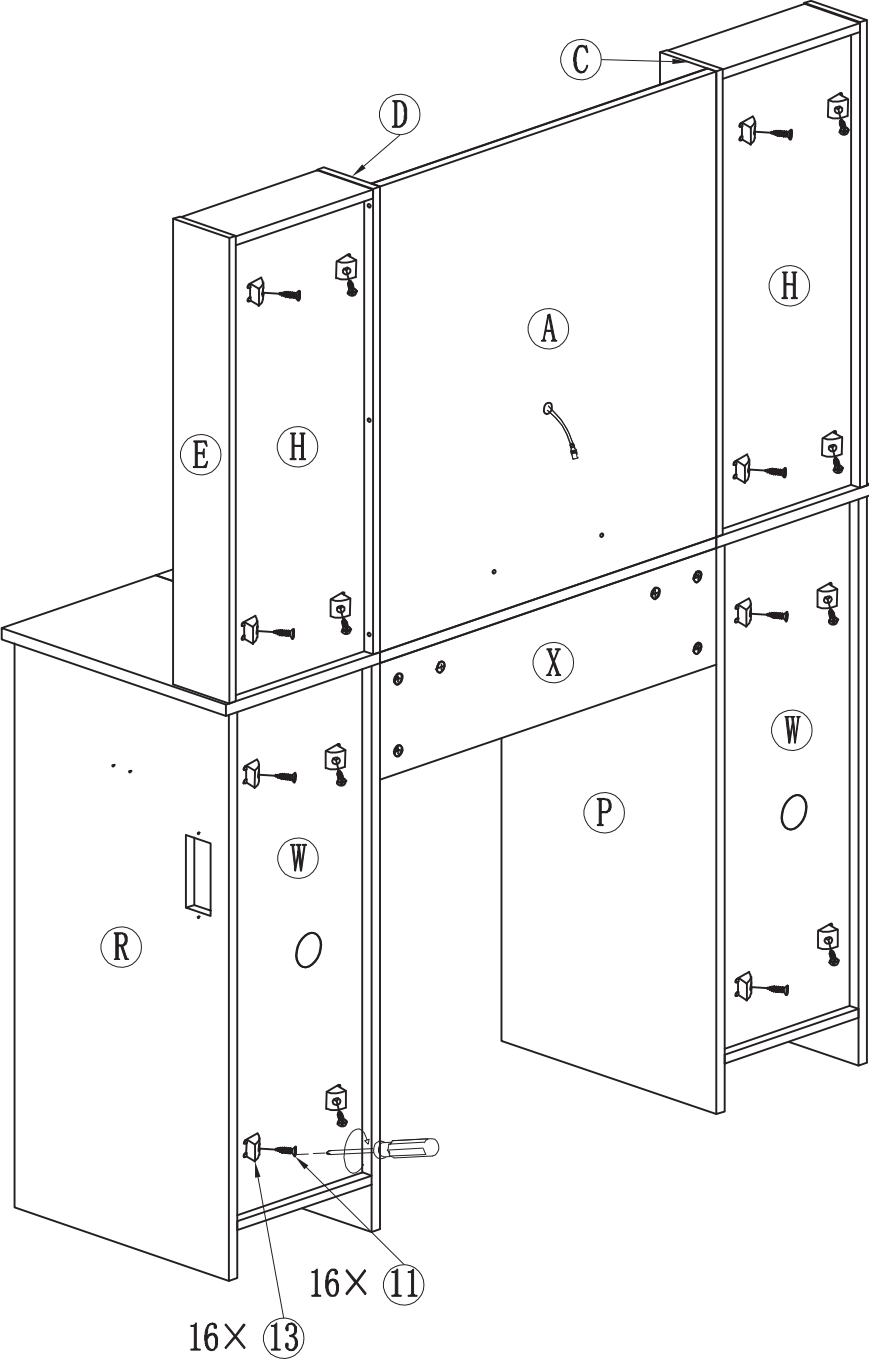
STEP 10



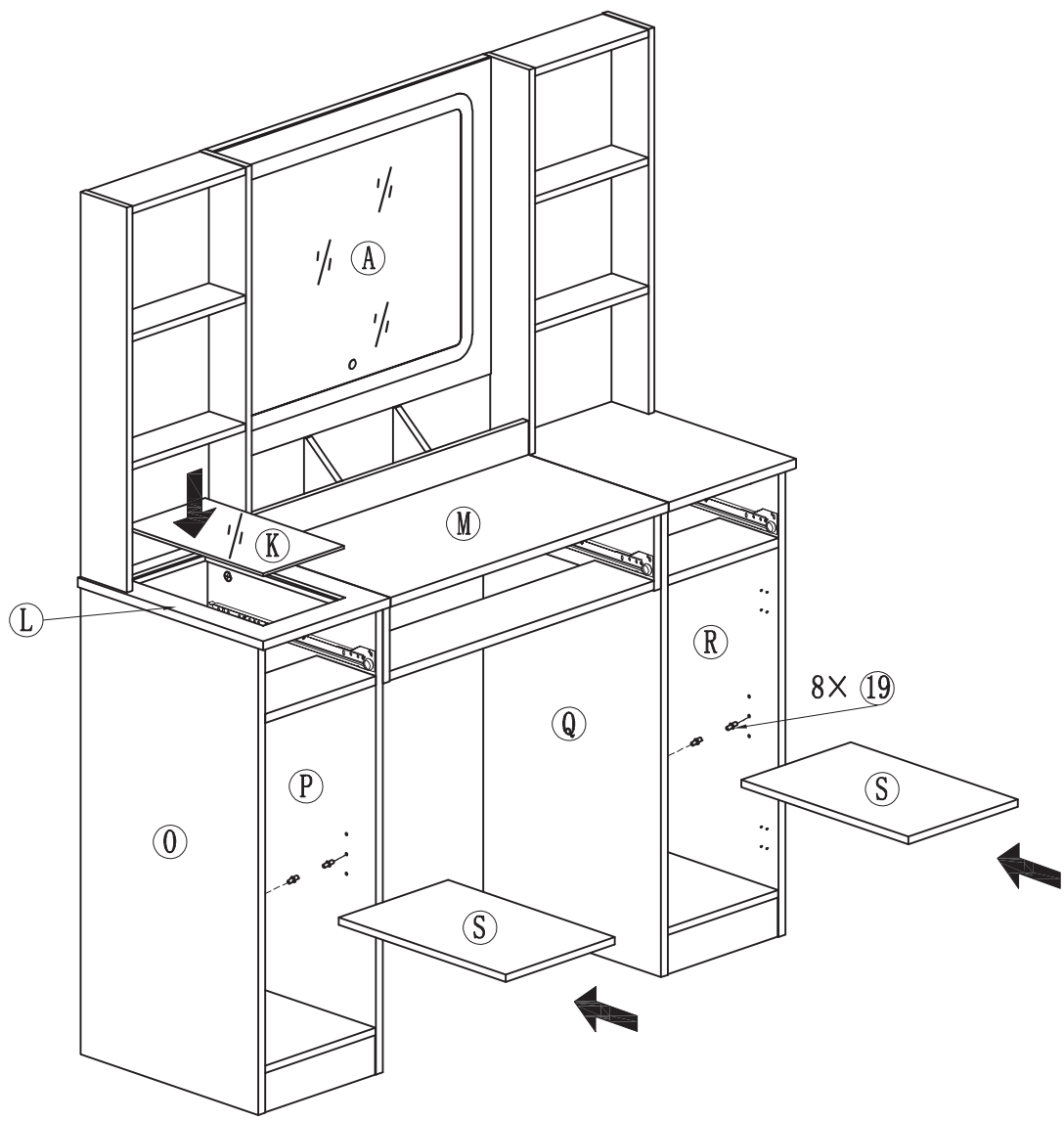
STEP 11



STEP 12



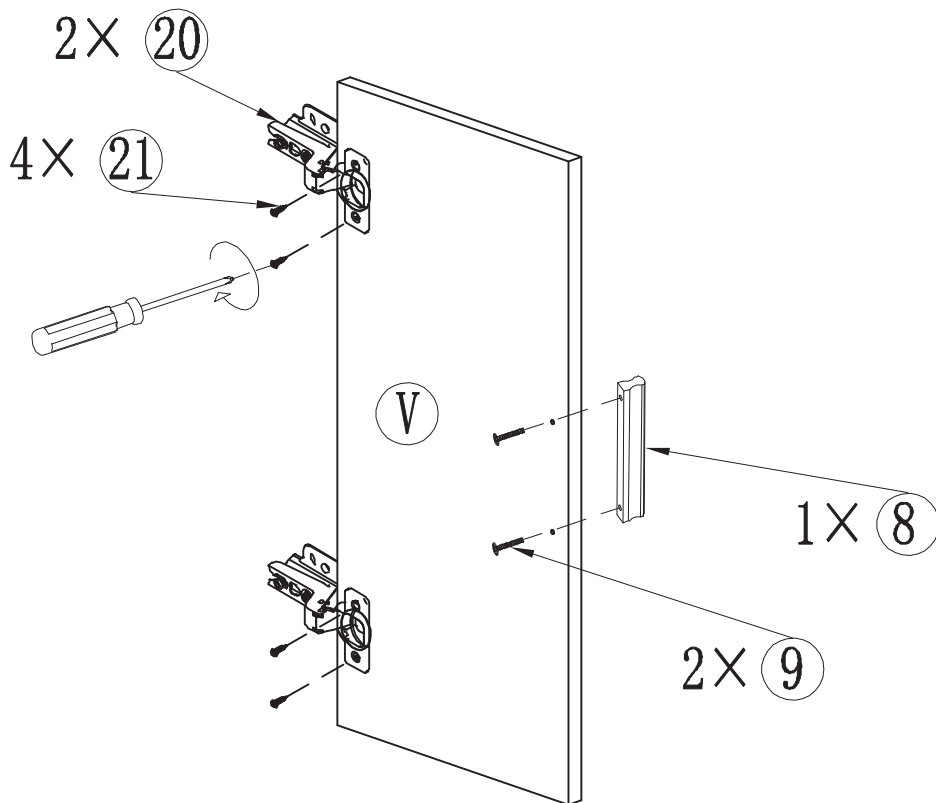
STEP 13



20

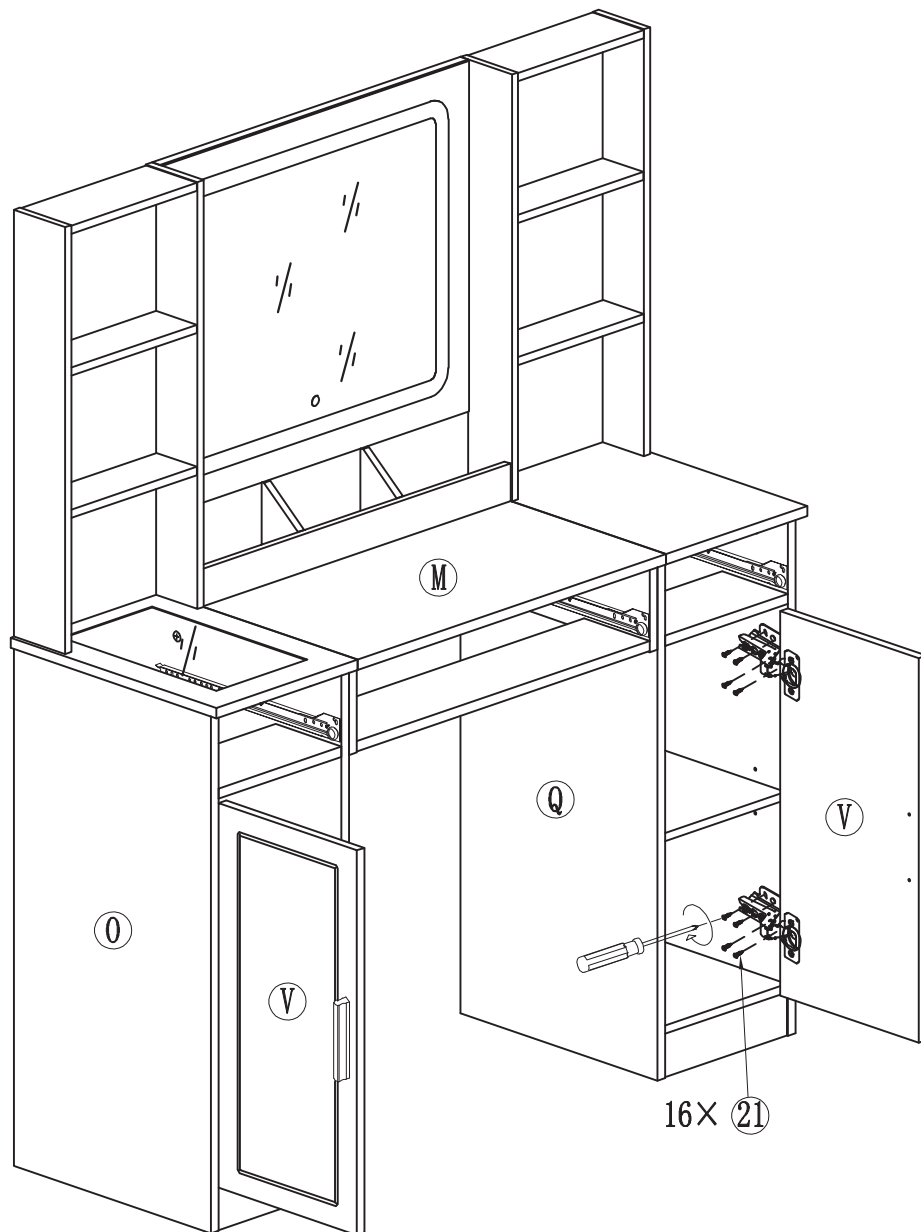
STEP 14

×2



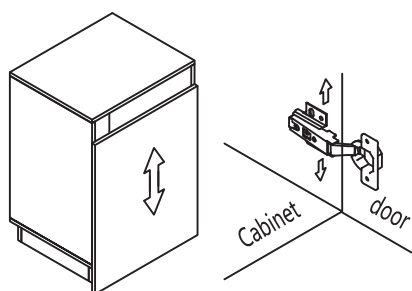
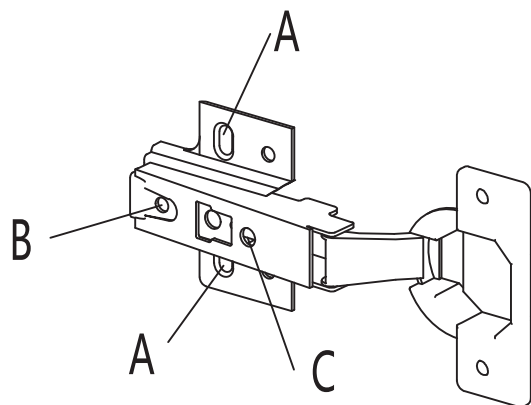
21

STEP 15



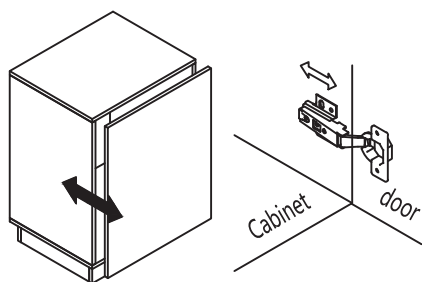
STEP 16

IMPORTANT—The furniture **MUST** be level on a flat, solid floor surface for the doors to work properly. Align the doors as shown for proper operation.



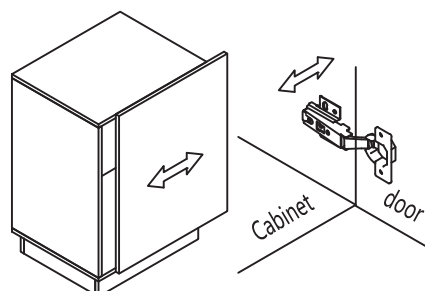
To adjust the vertical height.

Loosen the four screws "A" on both hinges. Two of them are usually in slotted holes which allows you to adjust up or down by a few mm. Then tighten back up.



To adjust depth.

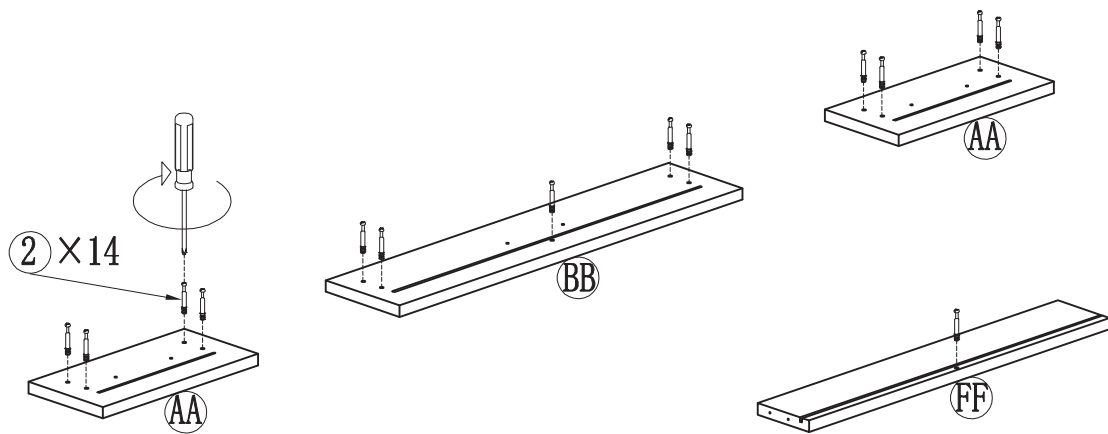
Loosen screw "B" and adjust door, if the door can not be adjusted, please loosen screw "C", then try again. Tighten screw "B" and "C".



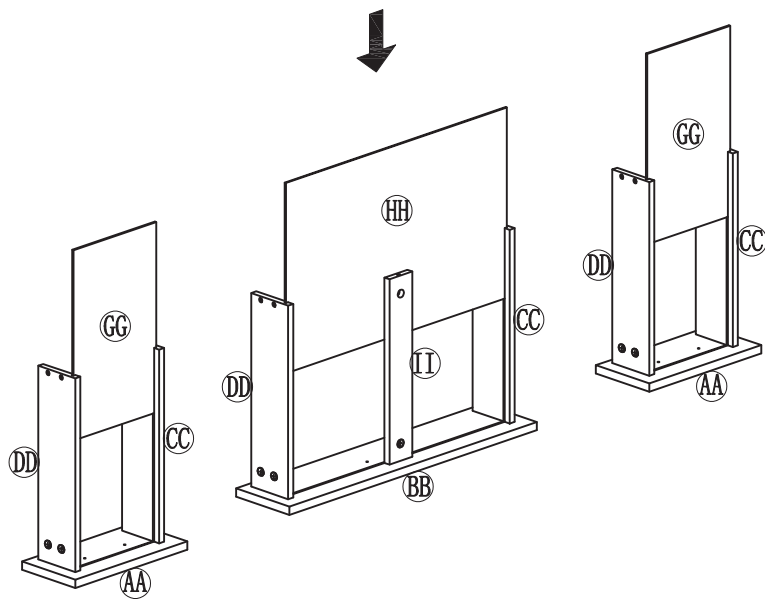
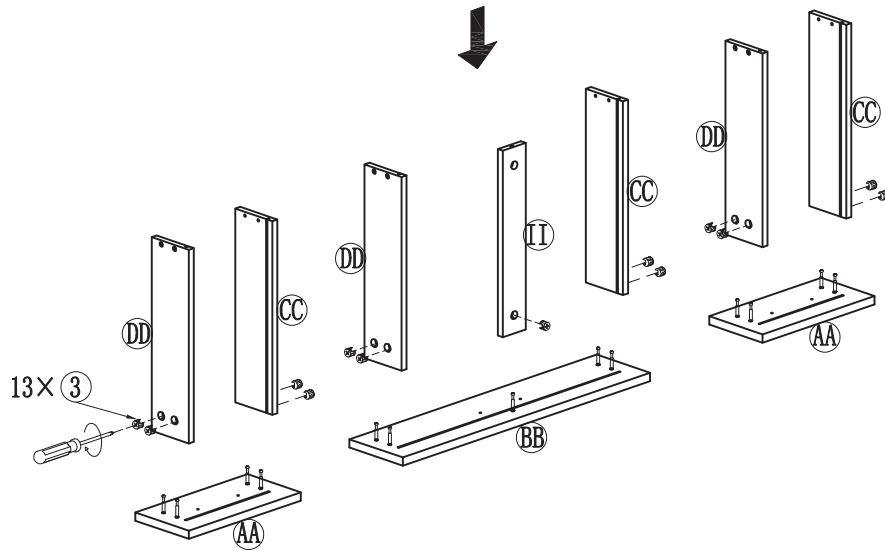
To adjust side ways.

Turning the screw "C" on BOTH hinges on each door.

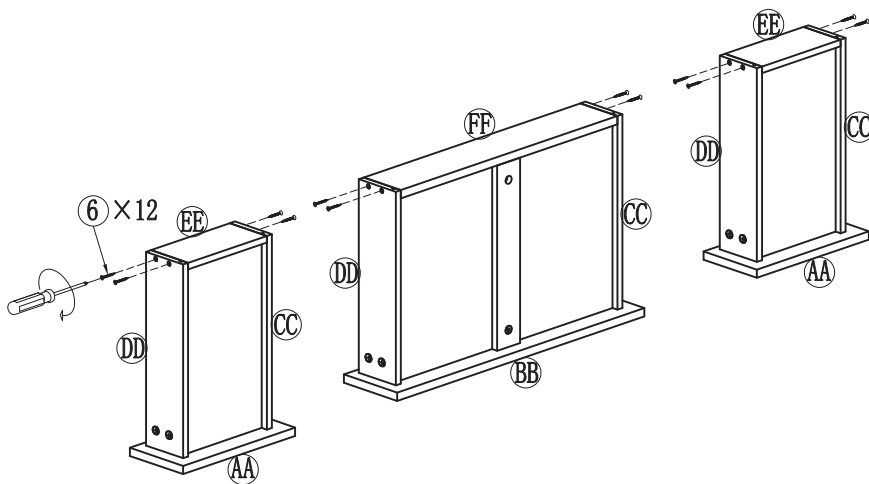
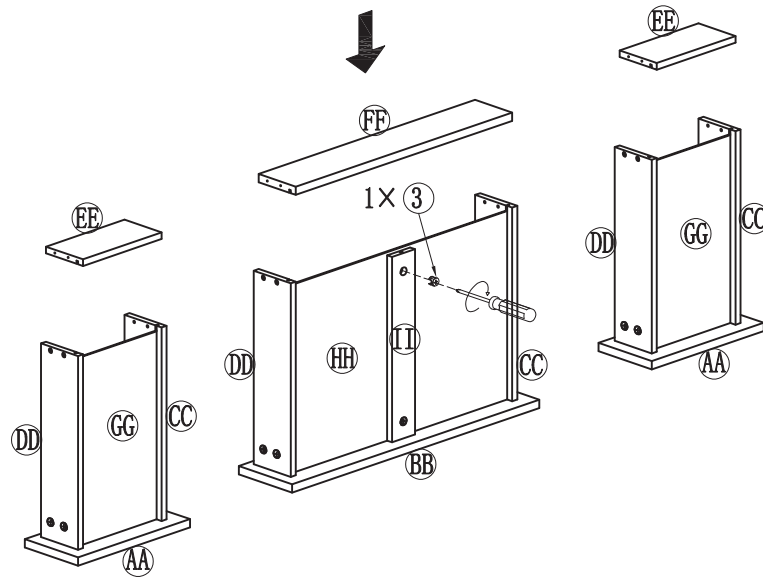
STEP 17



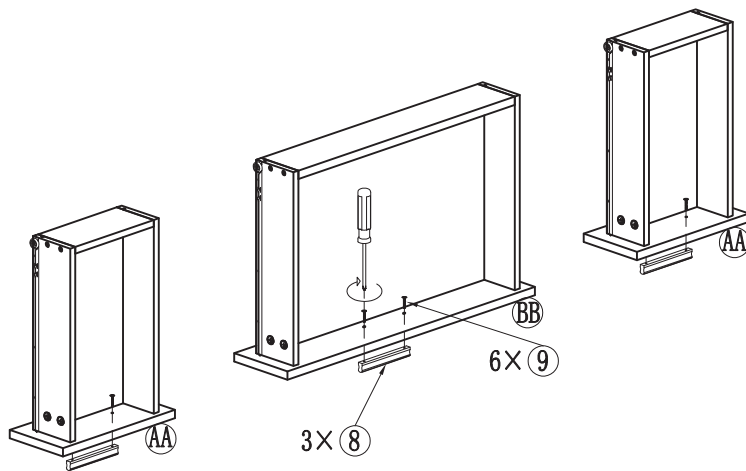
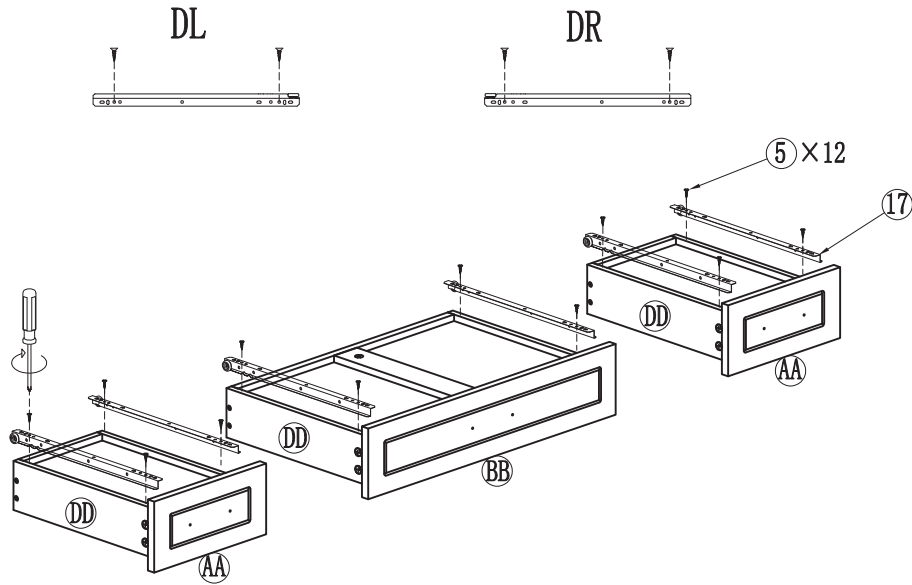
STEP 18



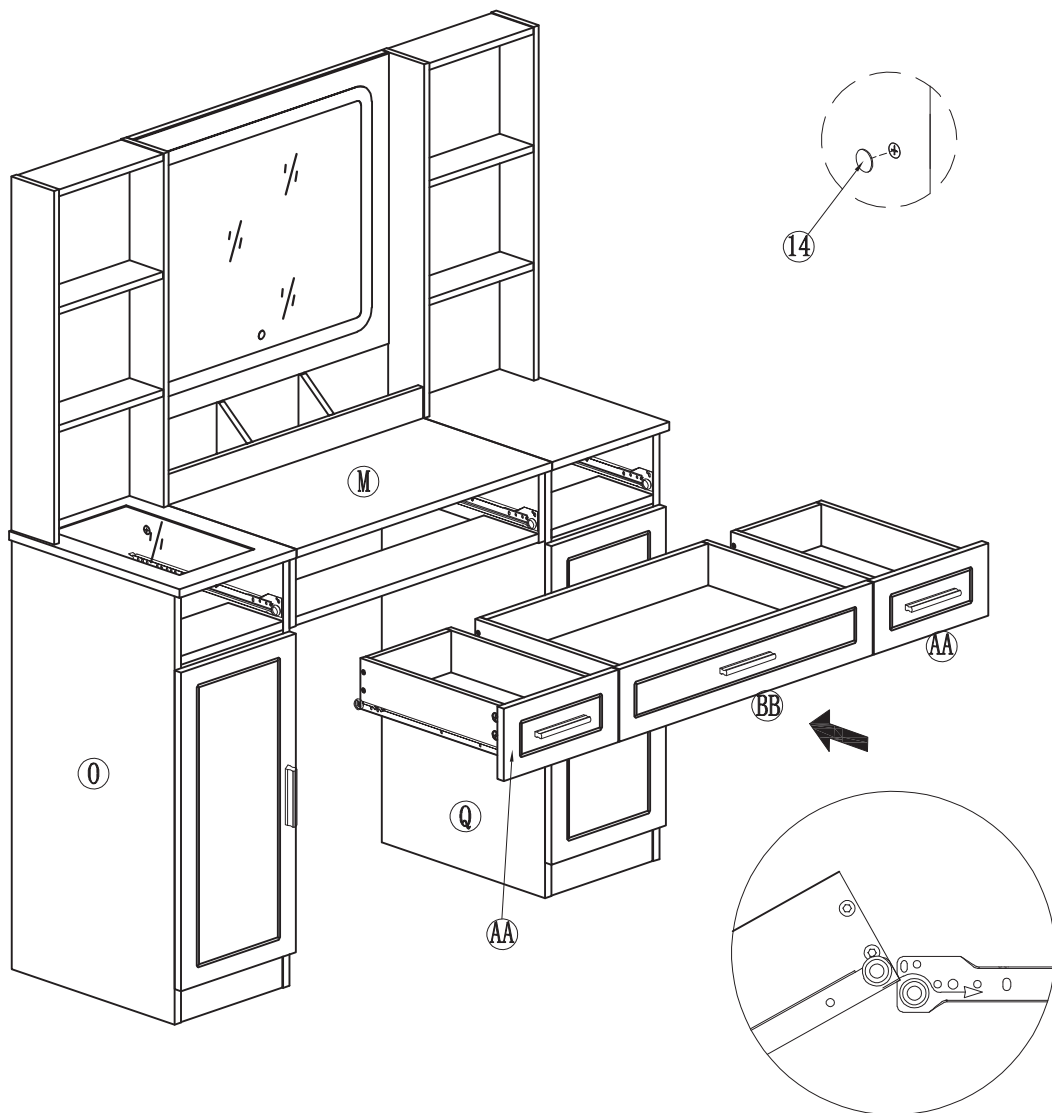
STEP 19



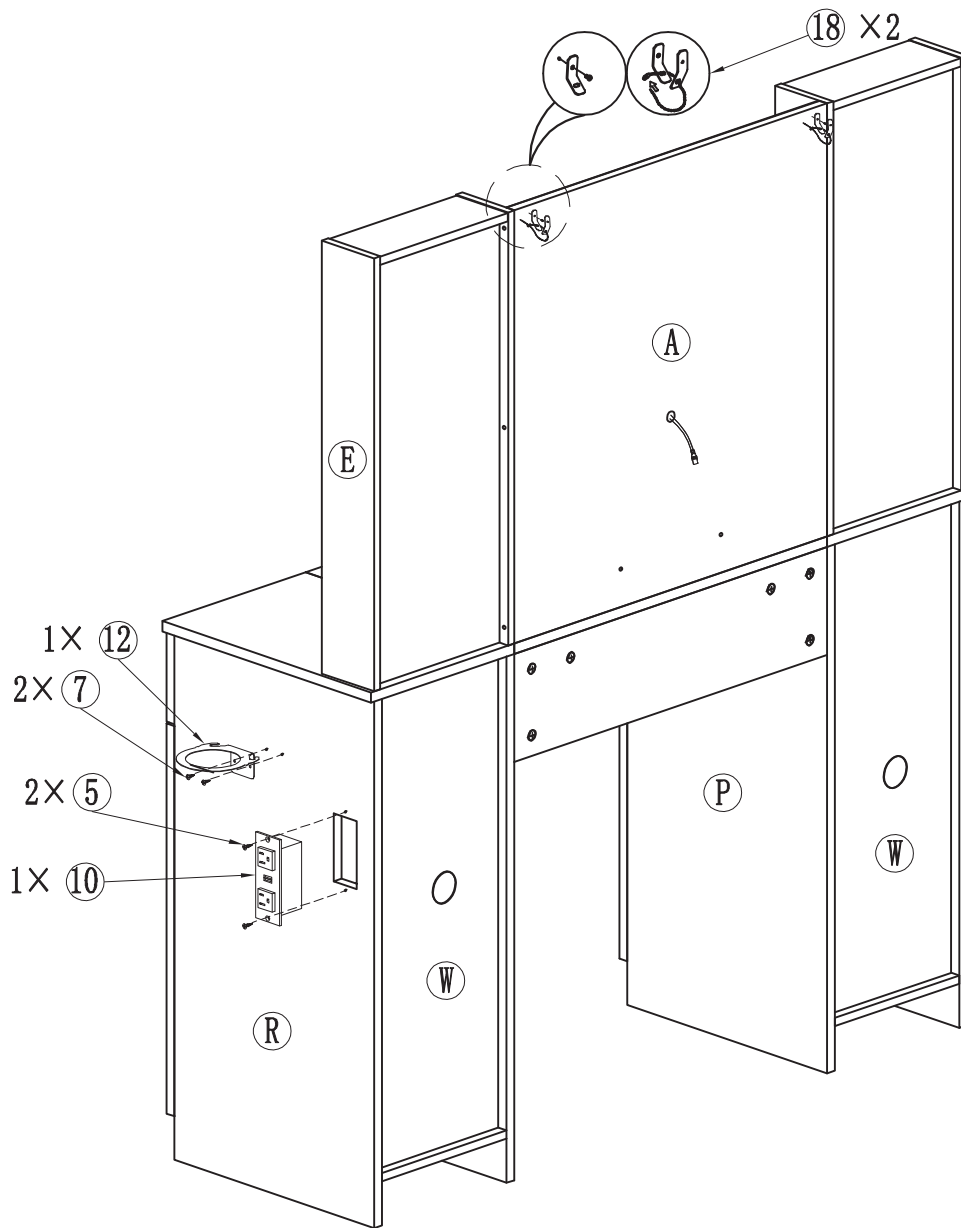
STEP 20



STEP 21



STEP 22



STEP 23

