

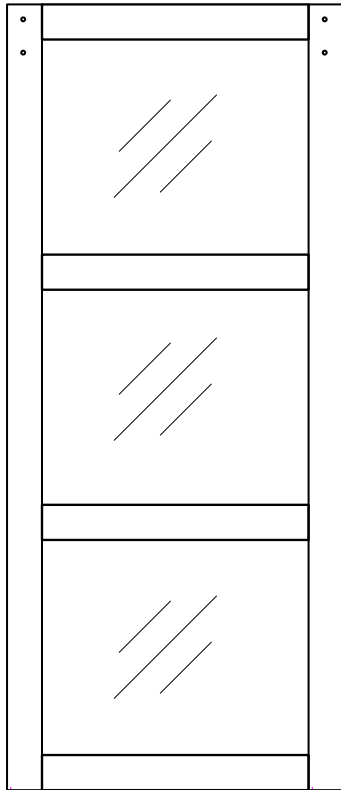
3 Lite Glass Barn Door

INSTALLATION MANUAL

In case of questions or missing parts, please contact

✉ Dooraftersale@gmail.com

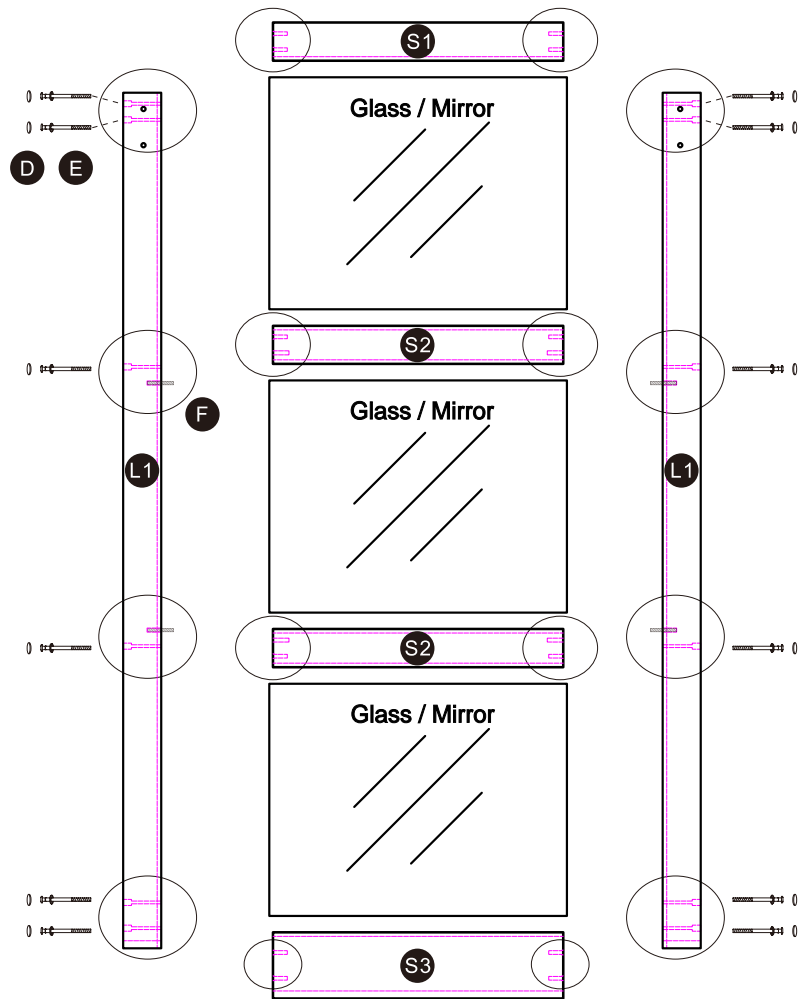
Assembly Diagram



2 PERSON
ASSEMBLY



UP TO 30 MIN.
ASSEMBLY



*Note: S1 S2 S3 must be the same place as above

Hardware List

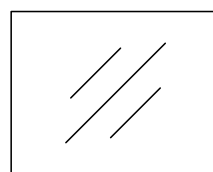


L1



x 2 pcs

Glass / Mirror



x 3 pcs

H



x 1 pc

F



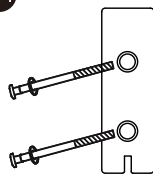
x 4 pcs

D



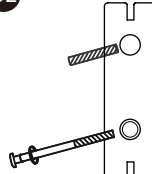
x 12 pcs

S1



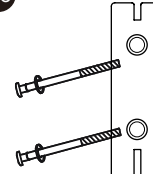
x 1 pcs

S2



x 2 pcs

S3



x 1 pcs

E

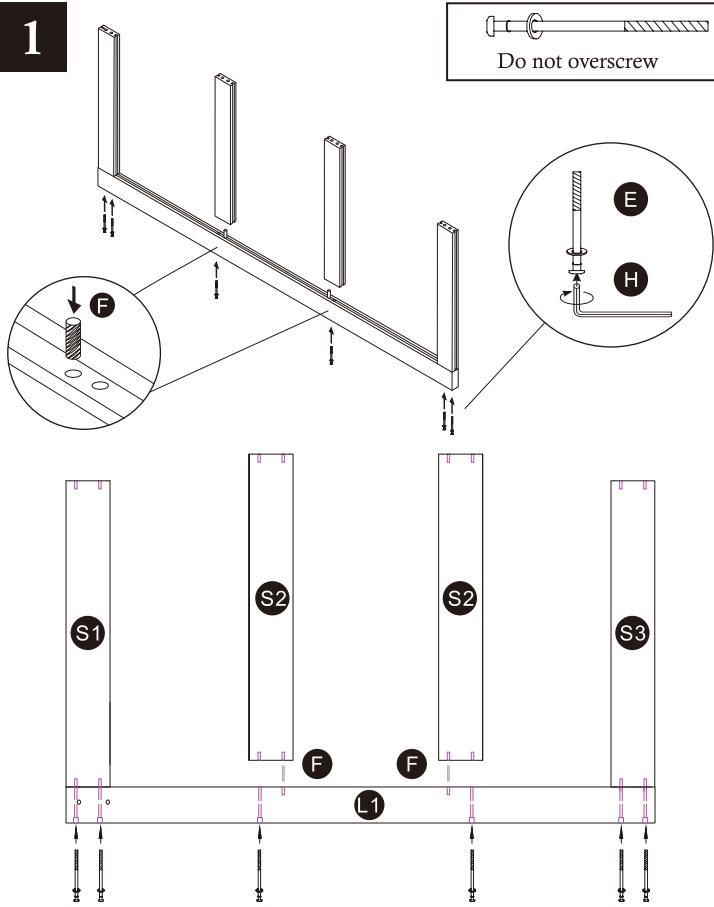


4inch

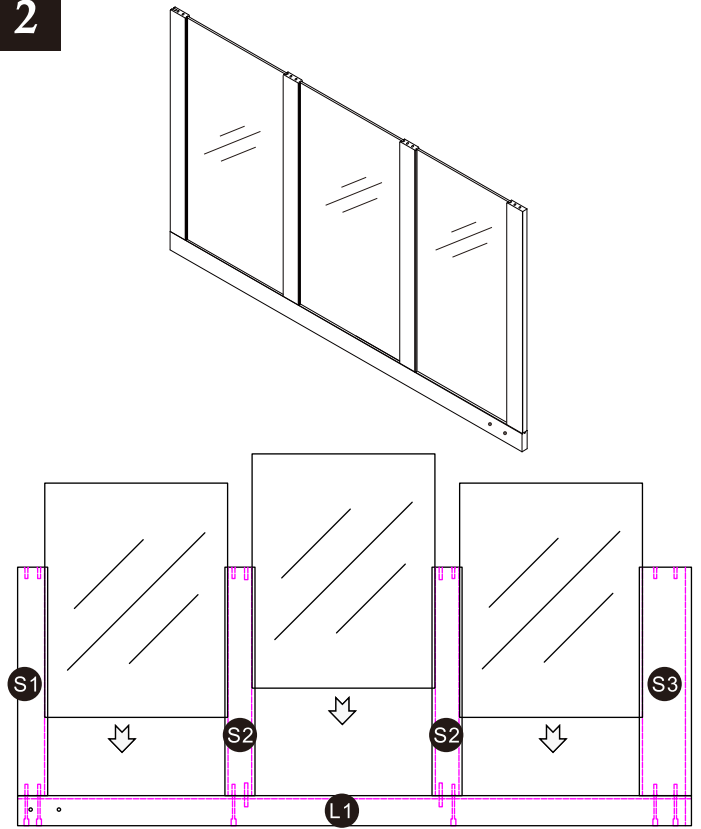
x 12 pcs

Assembly Steps

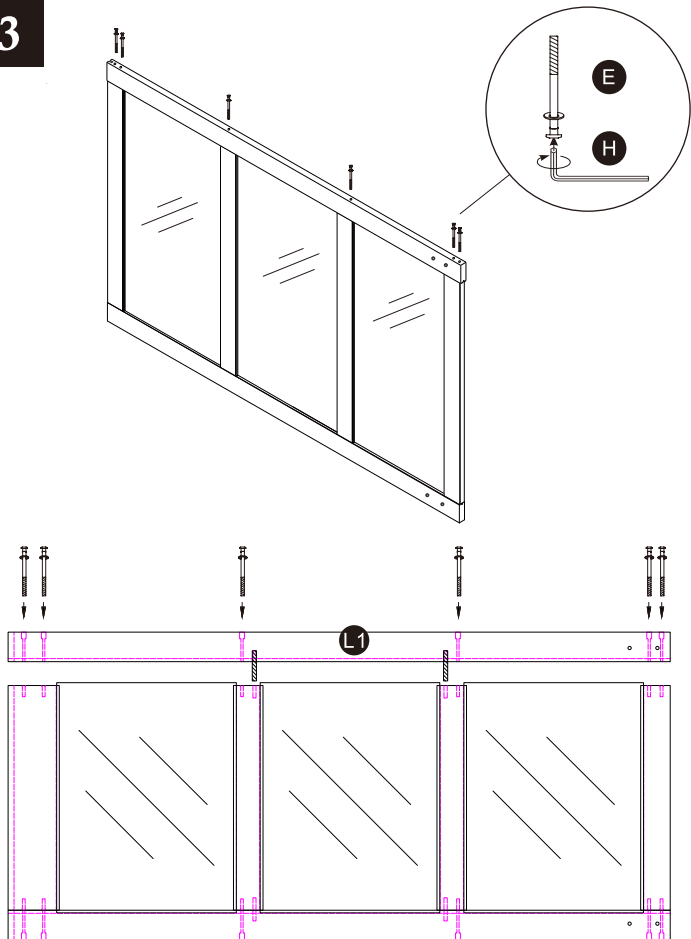
1



2



3



4

