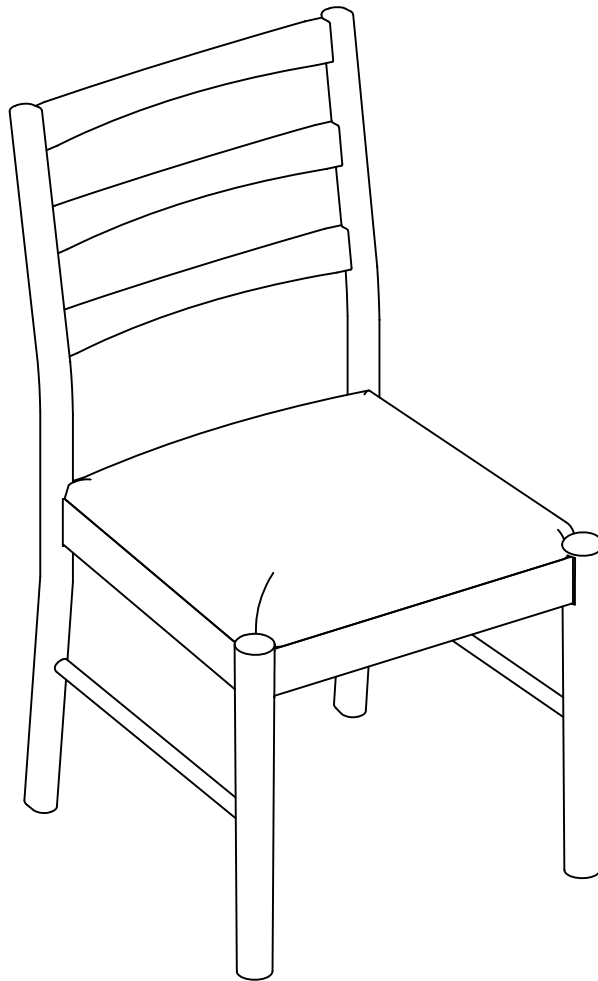


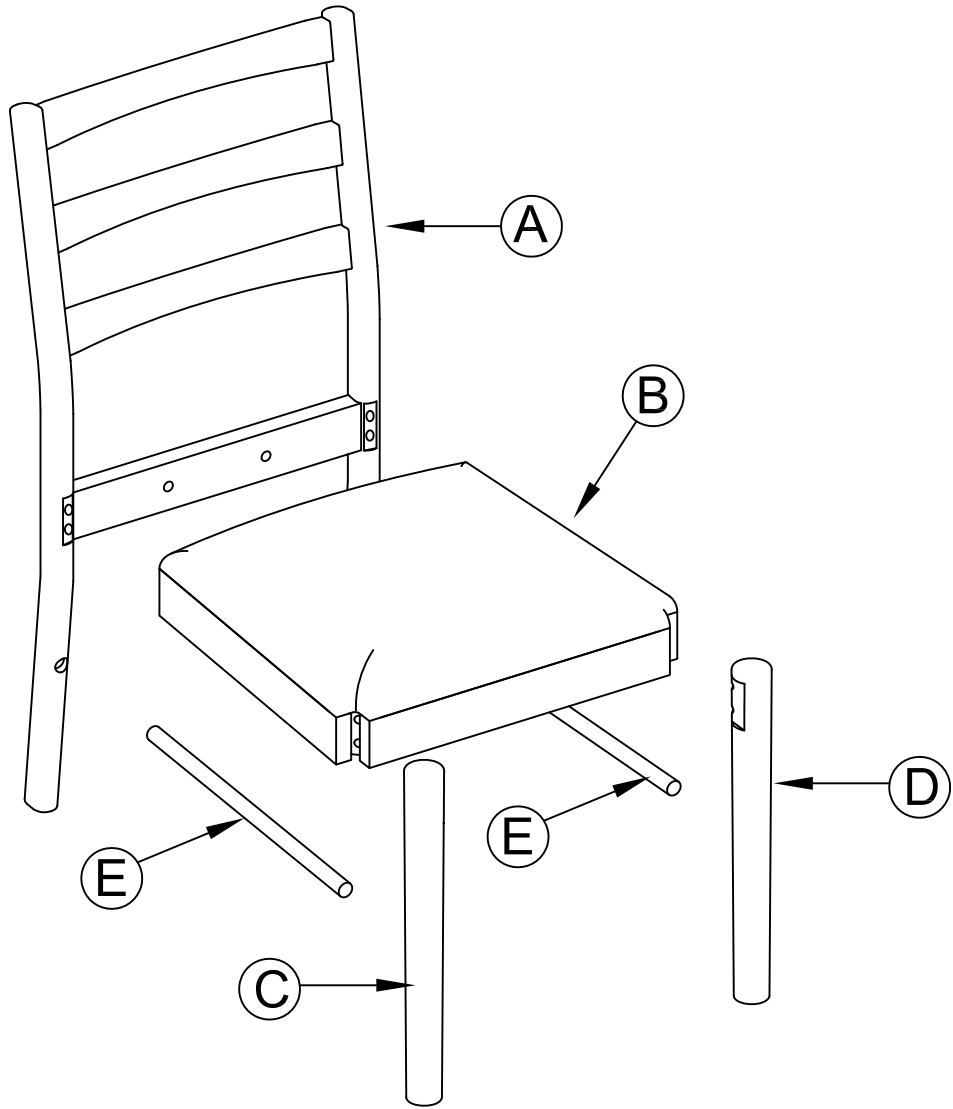
ASSEMBLY INSTRUCTIONS

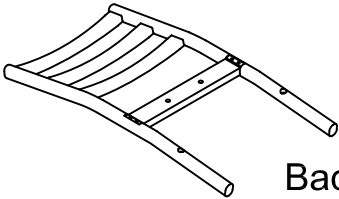


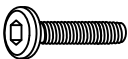
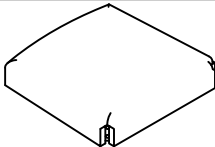

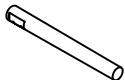

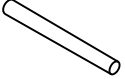
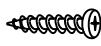
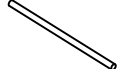

DINING CHAIR



IMPORTANT NOTE :

- 1 PLACE ALL PARTS ON A CLEAN AND SMOOTH SURFACE SUCH AS A RUG OR CAPET TO AVOID THE PARTS FORM BEING SCARTCHED .
- 2 BEFORE YOU BEGIN , KINDLY FOLLOW THE ASSEMBLY INSTRUCTIONS STEP BY STEP
- 3 DO NOT TIGHTEN ALL SCREWS AND BOLTS UNTILL THE CHAIR FULLY SET-UP

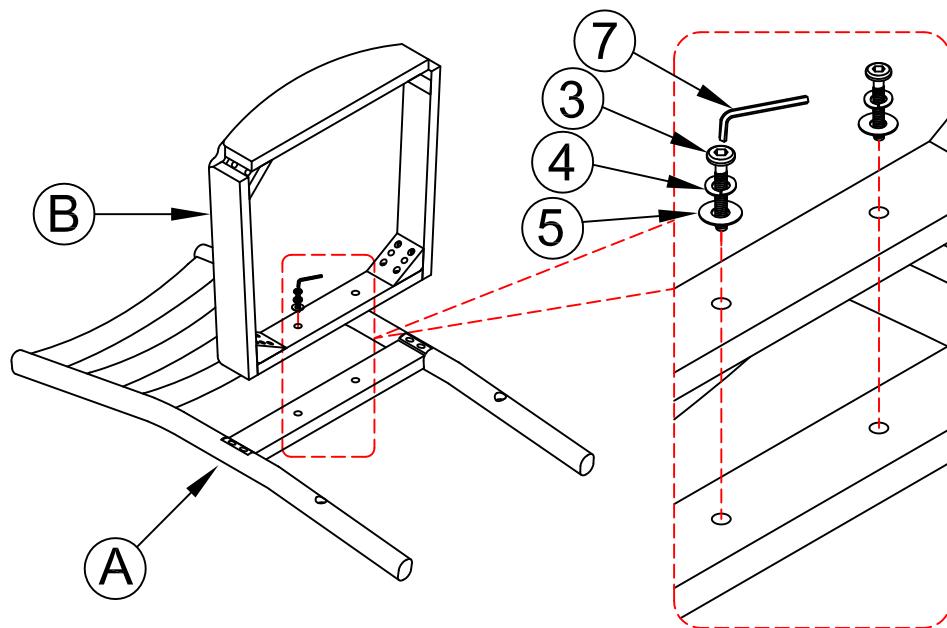


Part List For One			Hardware List For One		
No.	Hardware Description	Q'ty	No.	Hardware Description	Q'ty
A	 Backrest	1pc	1	 Bolt Ø1/4" x 75mm	4pcs
			2	 Bolt Ø1/4" x 65mm	4pcs
			3	 Bolt Ø1/4" x 40mm	2pcs
B	 Seat frame	1pc	4	 Lock washer Ø1/4" x11x1.5mm	10pcs
C	 Front leg	1pc	5	 Flat washer Ø1/4" x16 x1.5mm	10pcs
D	 Front leg	1pc	6	 Screw #4 x 35 mm	4pcs
E	 Side support	2pcs	7	 Allen key 4 x 60 mm	1pc

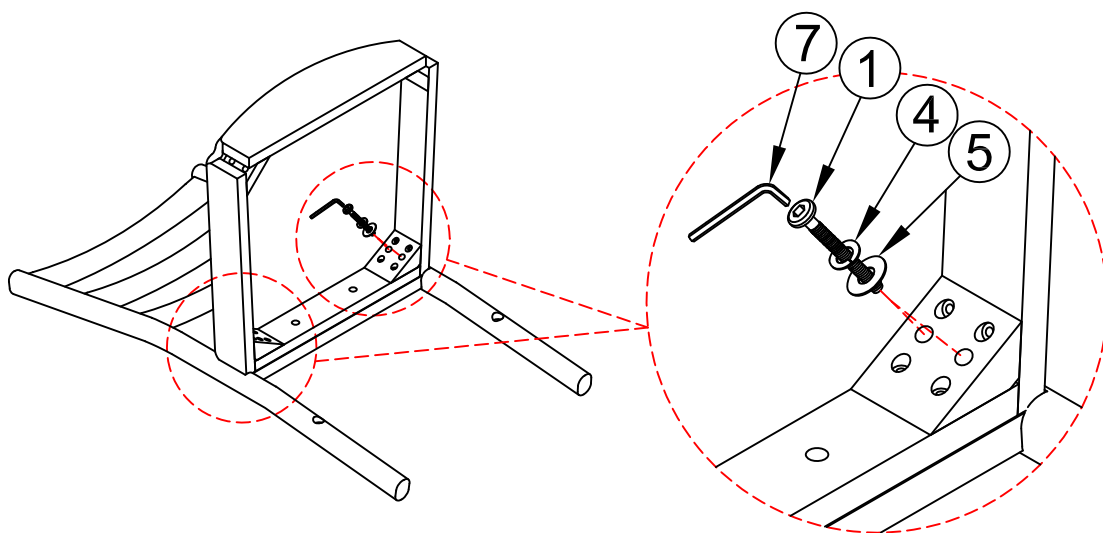
ASSEMBLY TOOLS REQUIRED (NOT INCLUDED)



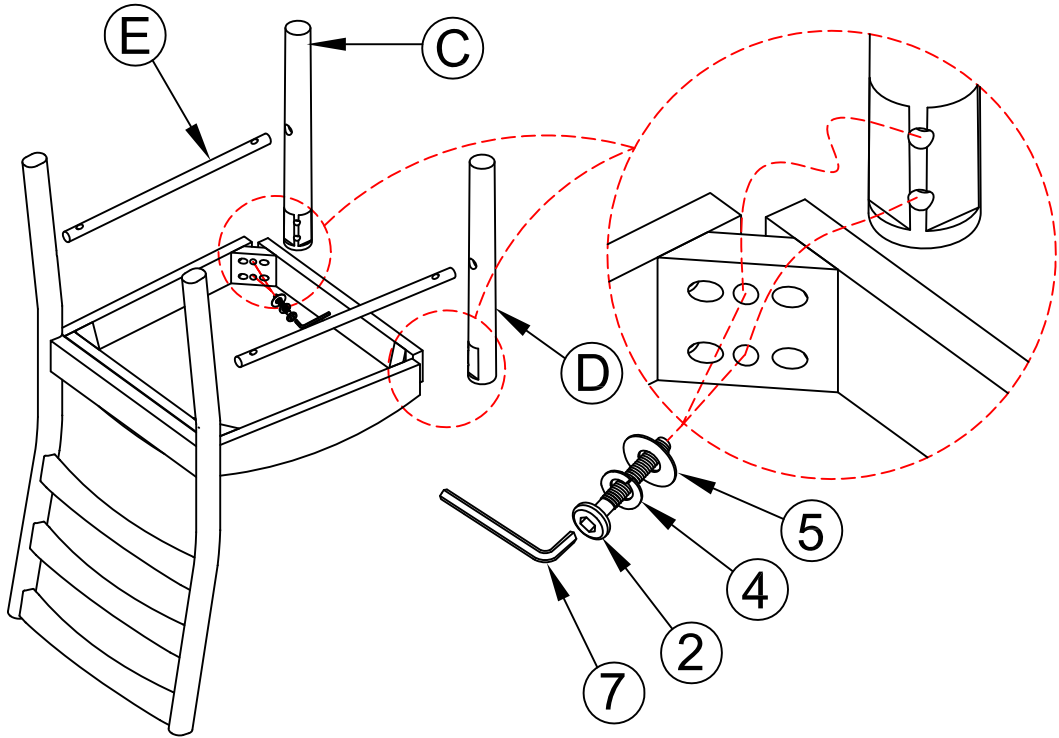
Step 1



Step 2



Step 3



Step 4

