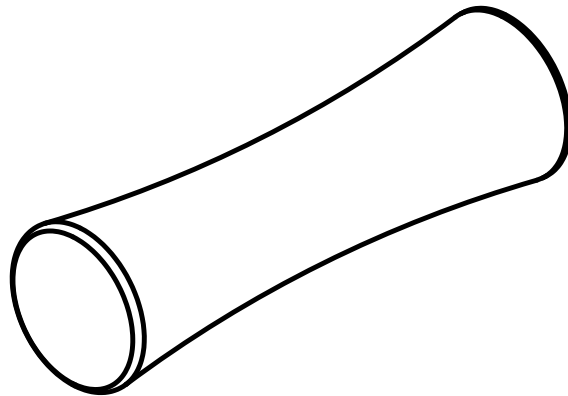


C O O P E R



G R A H A M

## INSTALLATION INSTRUCTIONS

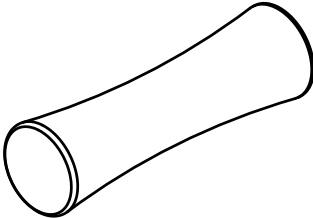


**EMILE ROBE HOOK**

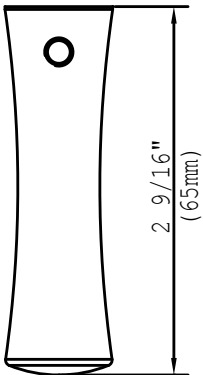
EMI-13300

# DIMENSIONS In Inches & Millimetres

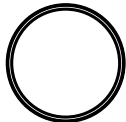
## EMILE ROBE HOOK



TOP VIEW



FRONT VIEW

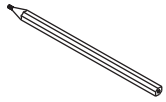


SIDE VIEW

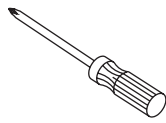


# PRODUCT INFORMATION

## TOOLS



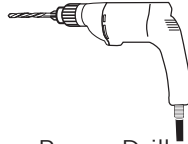
Marking Pencil



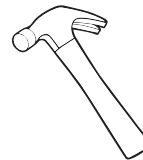
Phillips  
Screwdriver



Allen Key



Power Drill



Hammer

---

## MAINTENANCE

- Your new Cooper and Graham product is designed for years of trouble-free performance.
- Keep it looking new by cleaning it periodically with a soft cloth. Avoid abrasive cleaners, wire wool and harsh chemicals as these will dull the finish and void your warranty.

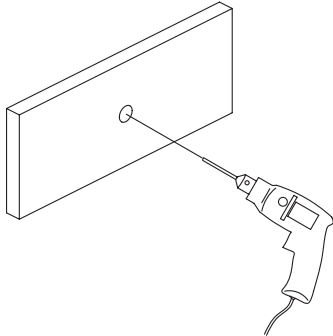
---

## IMPORTANT POINTS

- Overtightening nuts may cause damages.
- When cutting or soldering, use safety glasses to protect your eyes.

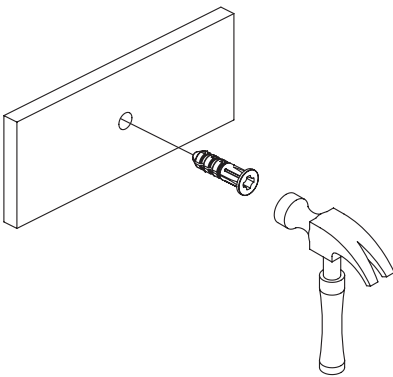
Cooper and Graham always recommends that plumbing products be installed by a licensed professional.

1.



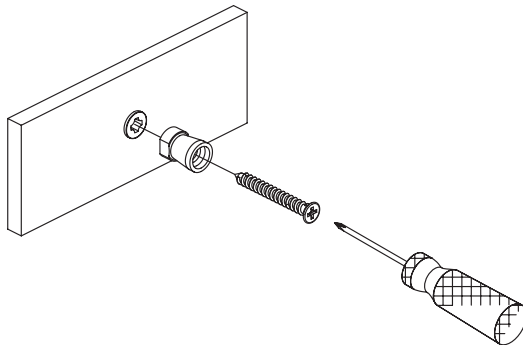
Drill hole in the wall where required.

2.



Tap the plastic anchor into the hole with a hammer.

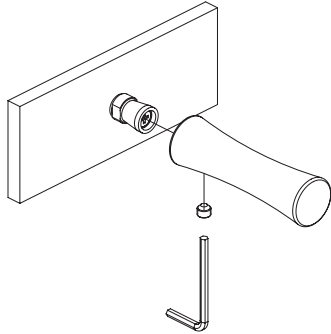
3.



Position the mounting bracket to be mounted on the wall, then thread the fixing screws through the mounting hole into the plastic anchor. Turn the screws slowly until they are tight.

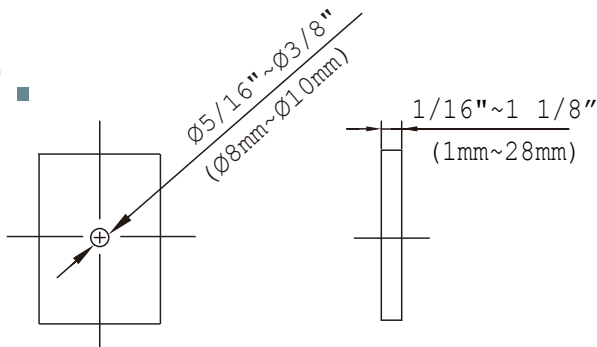
Cooper and Graham always recommends that plumbing products be installed by a licensed professional.

## 4.



Place assembly over the mounting bracket with set screws facing down. Tighten the set screws.

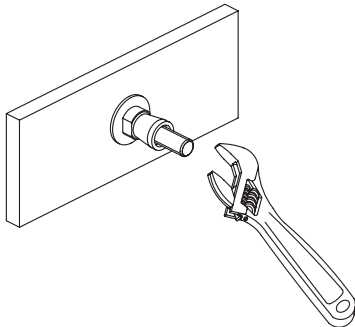
## 5.



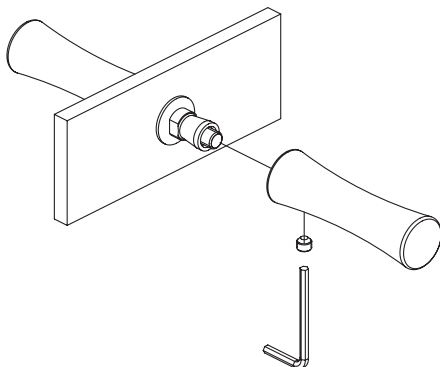
### Back-to-Back Installation:

In case you are buying two sets of this product and want to back-to-back install on a glass door, please take the following steps.

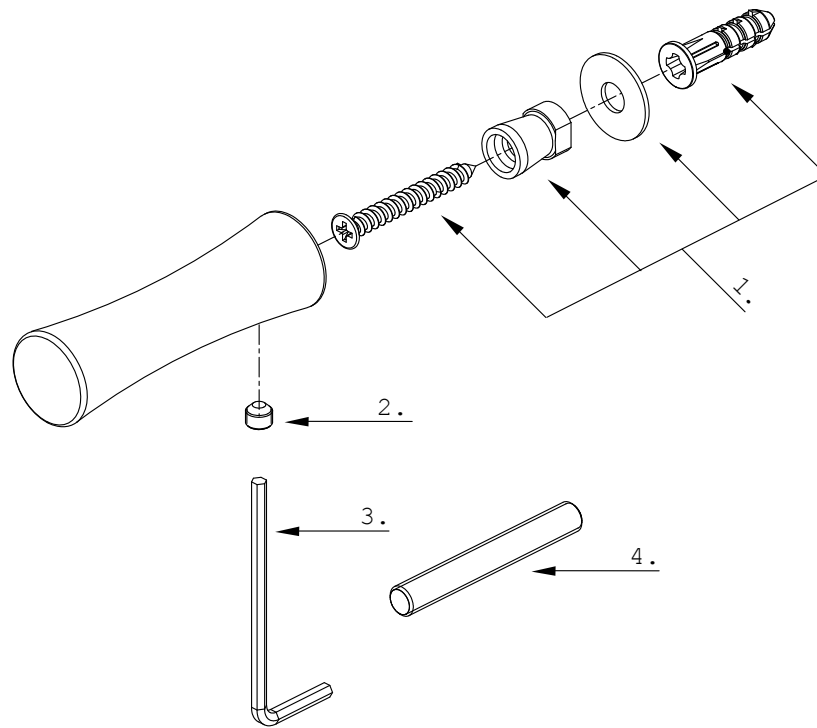
Before installation, make sure the dimensions for the shower door are as indicated.



Insert the stud bolts through the bracket and washer. Stop the stud bolt rotating with an adjustable wrench bracing it. Meanwhile, attach the brackets on the other side to the stud bolts and fix them.



Place assembly over the mounting bracket with set screw facing down. Tighten the set screws.



1. Mounting Hardware (RB0128)
2. Screw (M5\*4mm L) (A008005)
3. Allen Key (A031000)
4. Screw Bolt( M6\*45mm L) (RB0126)



C O O P E R



G R A H A M

FOR ADDITIONAL ASSISTANCE OR SERVICE CALL

**T: 929.432.1699 F: 929.432.1833**

[CUSTOMERSERVICE@COOPERANDGRAHAM.COM](mailto:CUSTOMERSERVICE@COOPERANDGRAHAM.COM)

9AM-5PM EST, MONDAY - FRIDAY

**COOPER AND GRAHAM**

1828 TROUTMAN STREET, RIDGEWOOD, NY, 11385

[WWW.COOPERANDGRAHAM.COM](http://WWW.COOPERANDGRAHAM.COM)