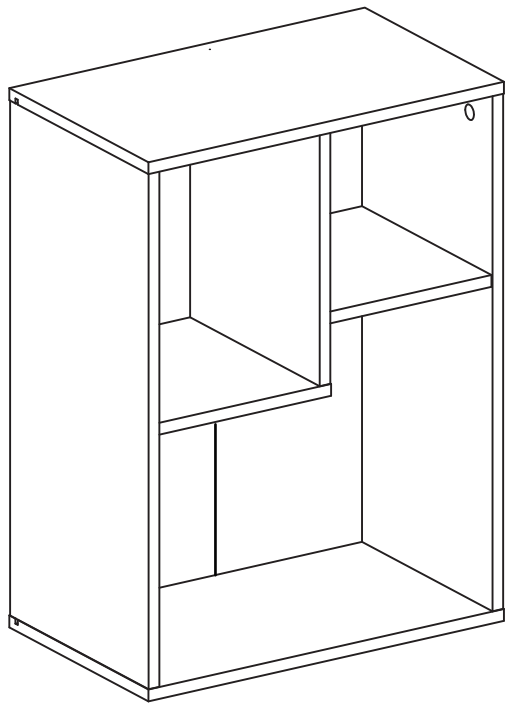


Installation & Assembly



Assembly Guide

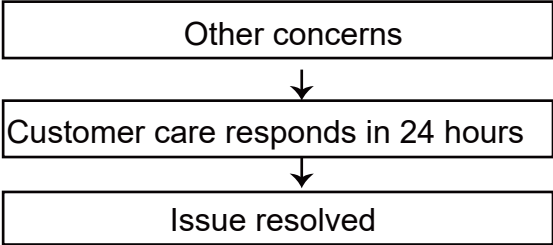
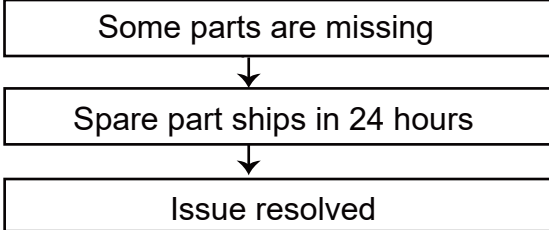
Tip!

Do check for all the components and screws listed in this guide before putting things together.

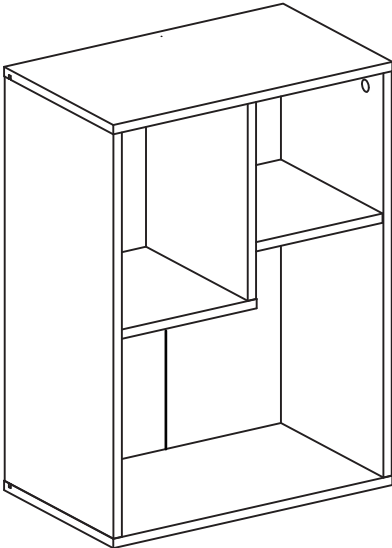
Return Policy

Your satisfaction is our top priority. If our product fails to satisfy you, please let us know how we can make things right for you. Our trained customer care team can handle most concerns and assist you with any questions you may have. To be eligible for a full-refund return, the item must be in pristine condition, in the original packaging, with all of the shipped components intact and not yet assembled, and with the item's unique proof of purchase.

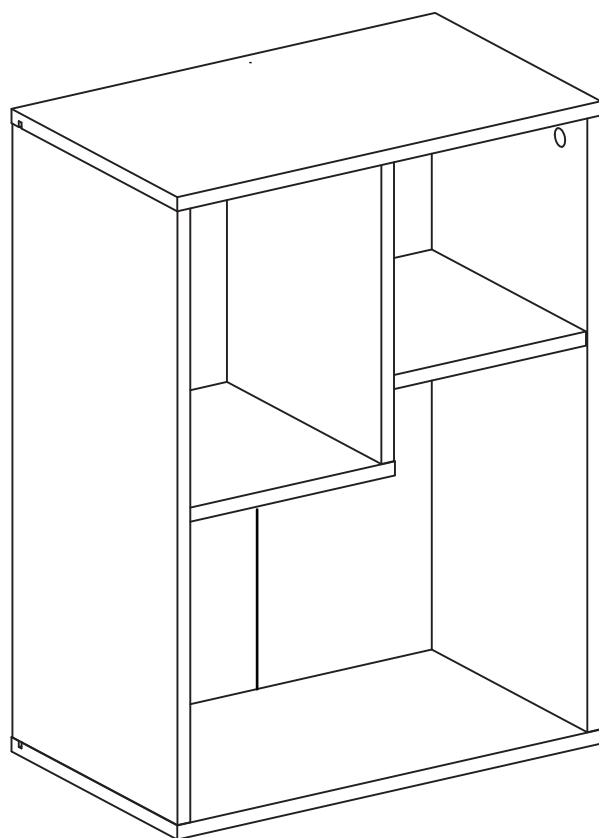
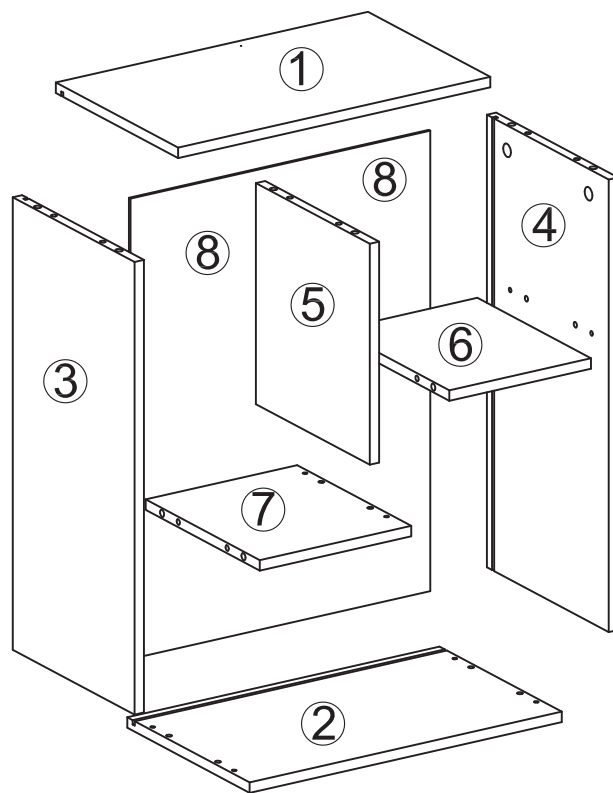
Trouble shooting:

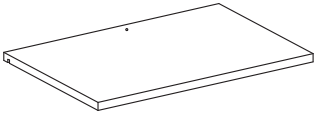
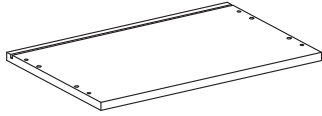

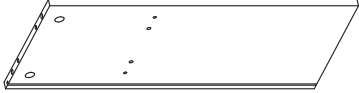

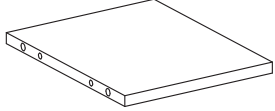
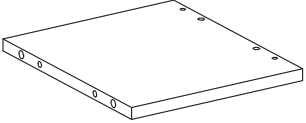
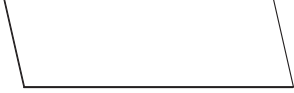


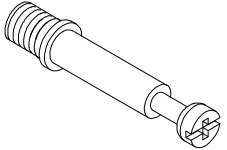
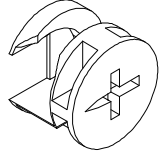
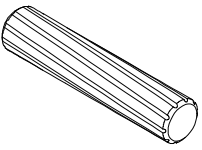
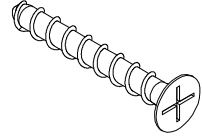
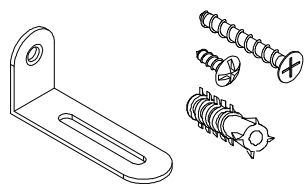
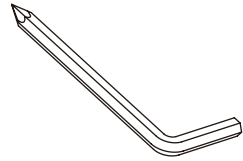
We run our own manufacturer, so rest assured about the quality consistency.

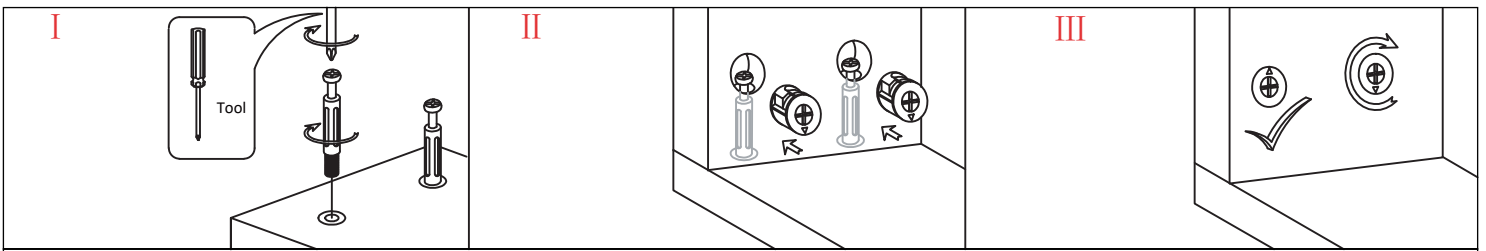


Item Description: Bookcase



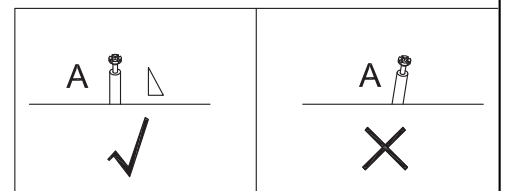
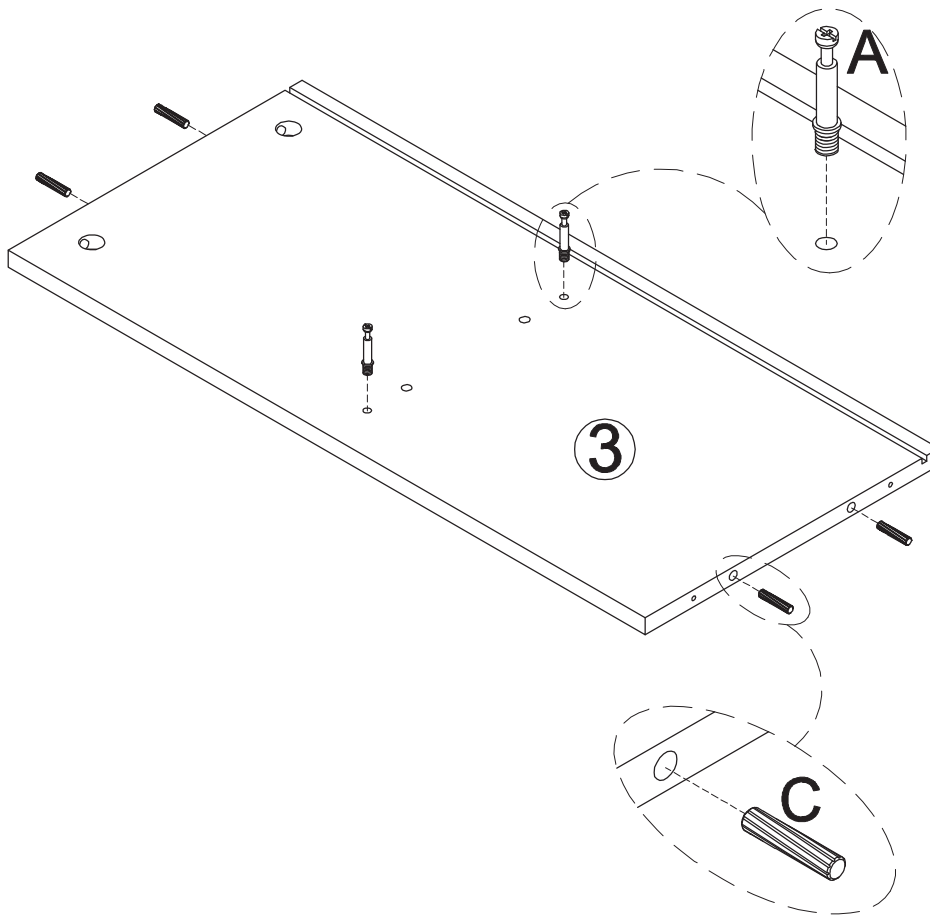
<p>1</p>		<p>1pc</p>	<p>2</p>		<p>1pc</p>
<p>3</p>		<p>1pc</p>	<p>4</p>		<p>1pc</p>
<p>5</p>		<p>1pc</p>	<p>6</p>		<p>1pc</p>
<p>7</p>		<p>1pc</p>	<p>8</p>		<p>2pcs</p>

<p>A</p>		<p>12pcs</p>	<p>B</p>		<p>12pcs</p>
<p>C</p>		<p>18pcs</p>	<p>D</p>		<p>6pcs</p>
<p>E</p>		<p>1pc</p>	<p>F</p>		<p>1pc</p>




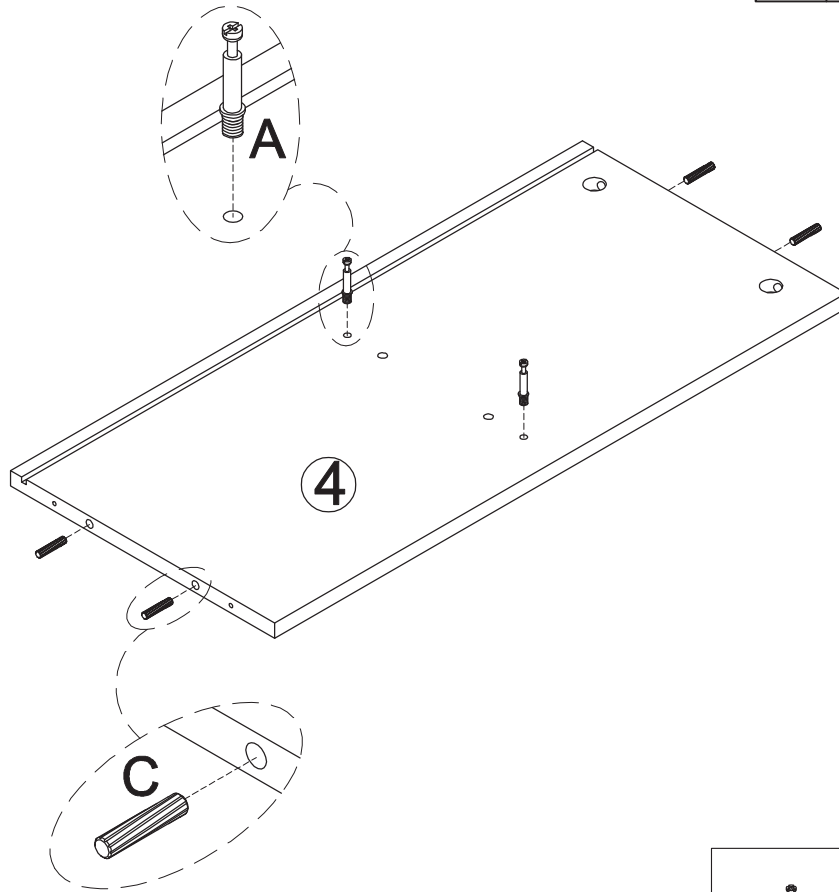
"A&B" Hardware Assembly example
 Mädels, wie bei "a and b" die hardware
 Exemple d'assemblage de quincaillerie "A&B"
 Ejemplo de montaje de Hardware "A&B"
 Esempio di assemblaggio Hardware "A&B"

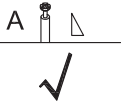
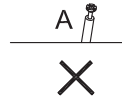
Step 1



Step 2

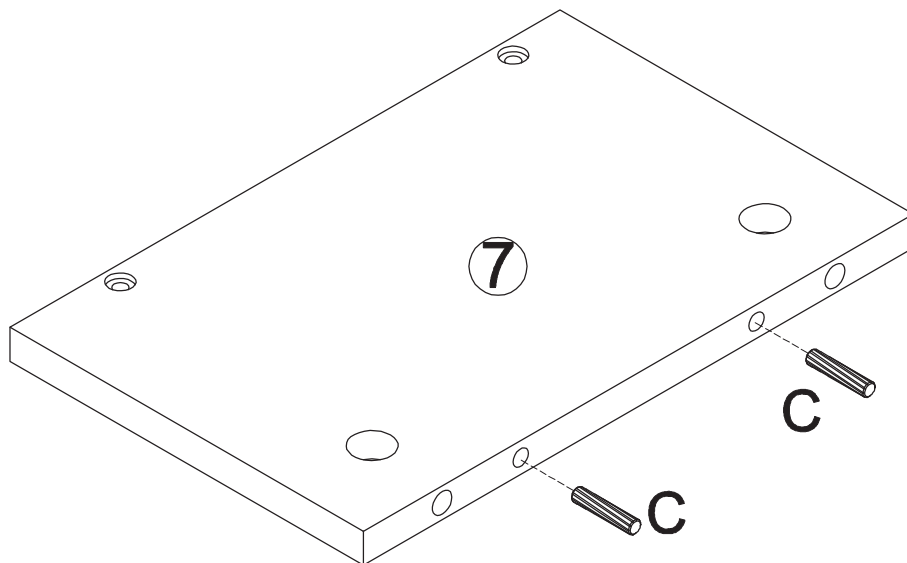
	Ax2		Cx4
--	-----	--	-----



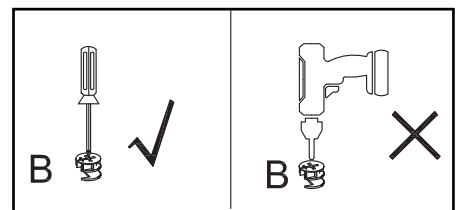
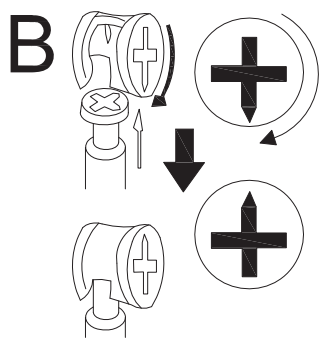
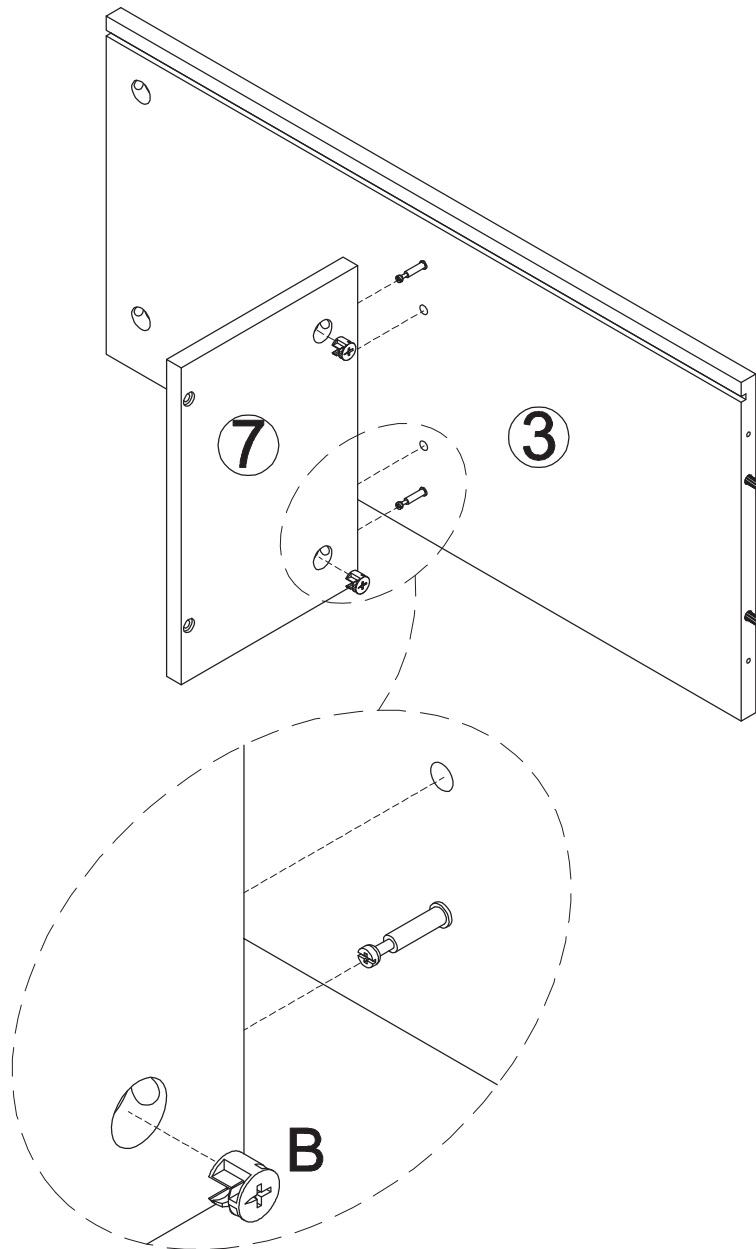
	
---	---

Step 3



	Cx2
---	-----

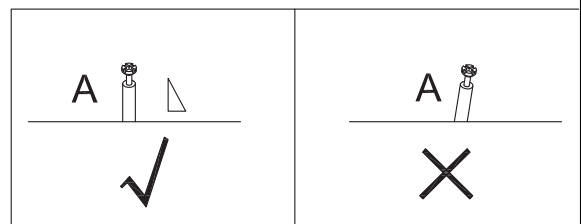
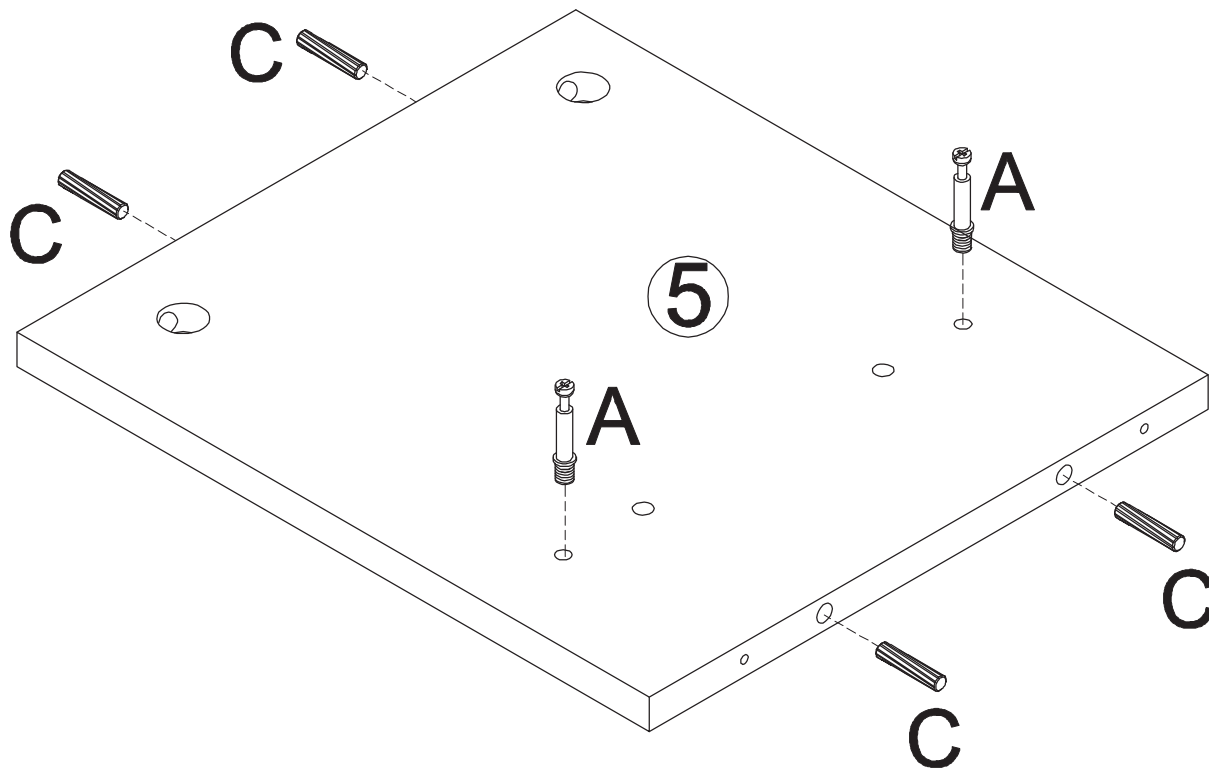


Step 4

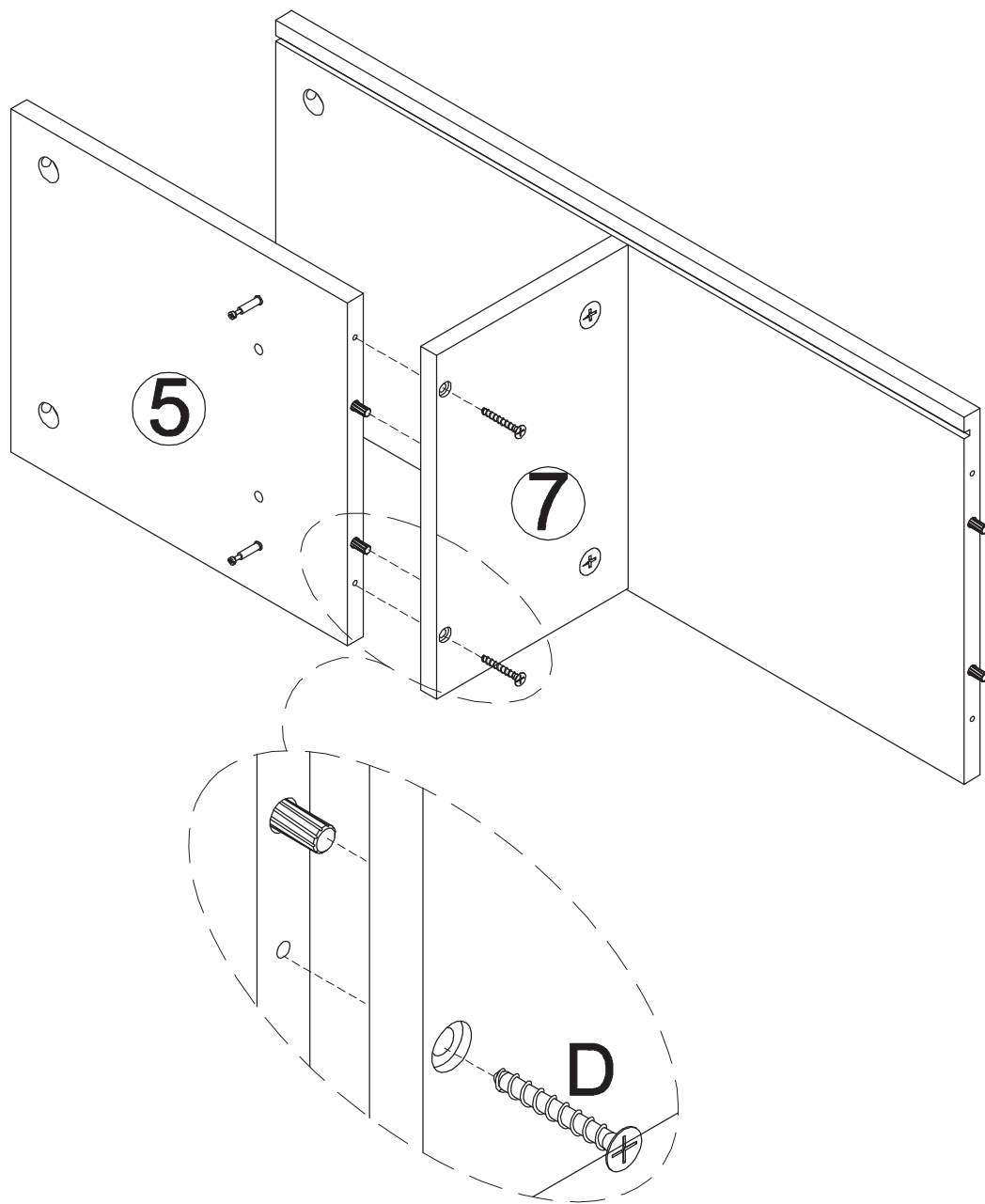


Step 5

	Ax2		Cx4
--	-----	--	-----

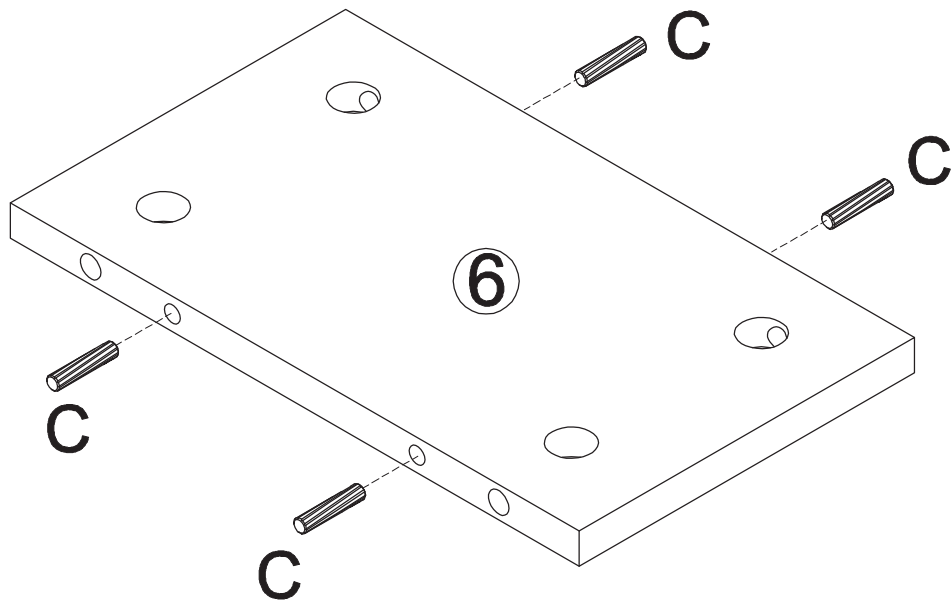


Step 6



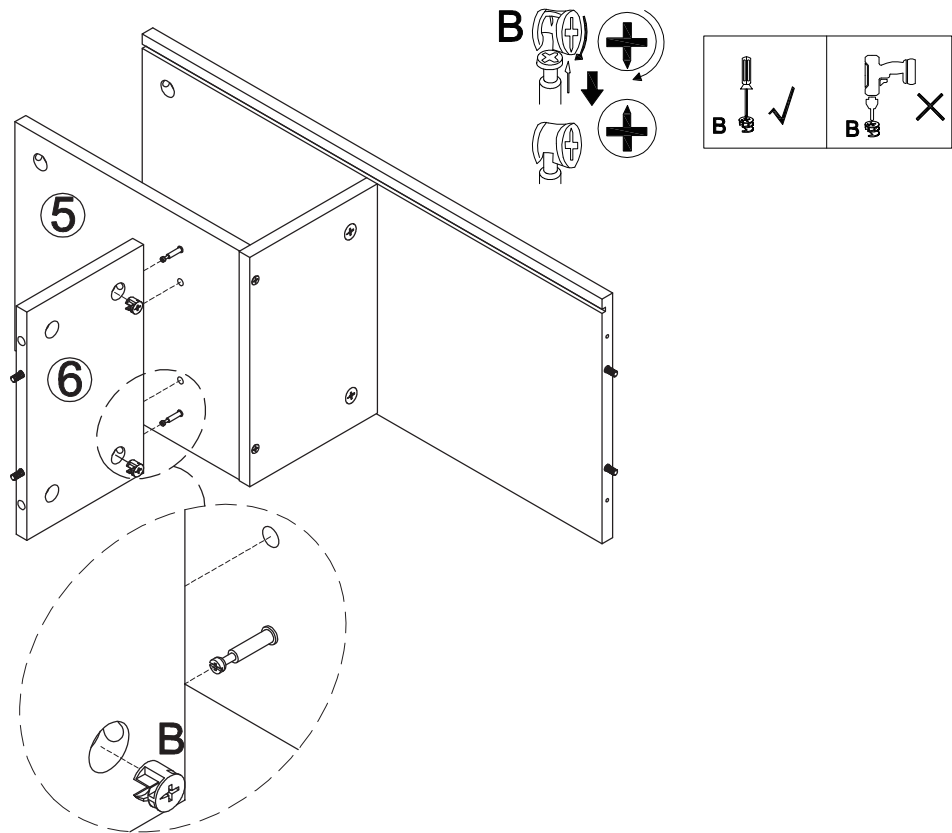
Step 7

 Cx4



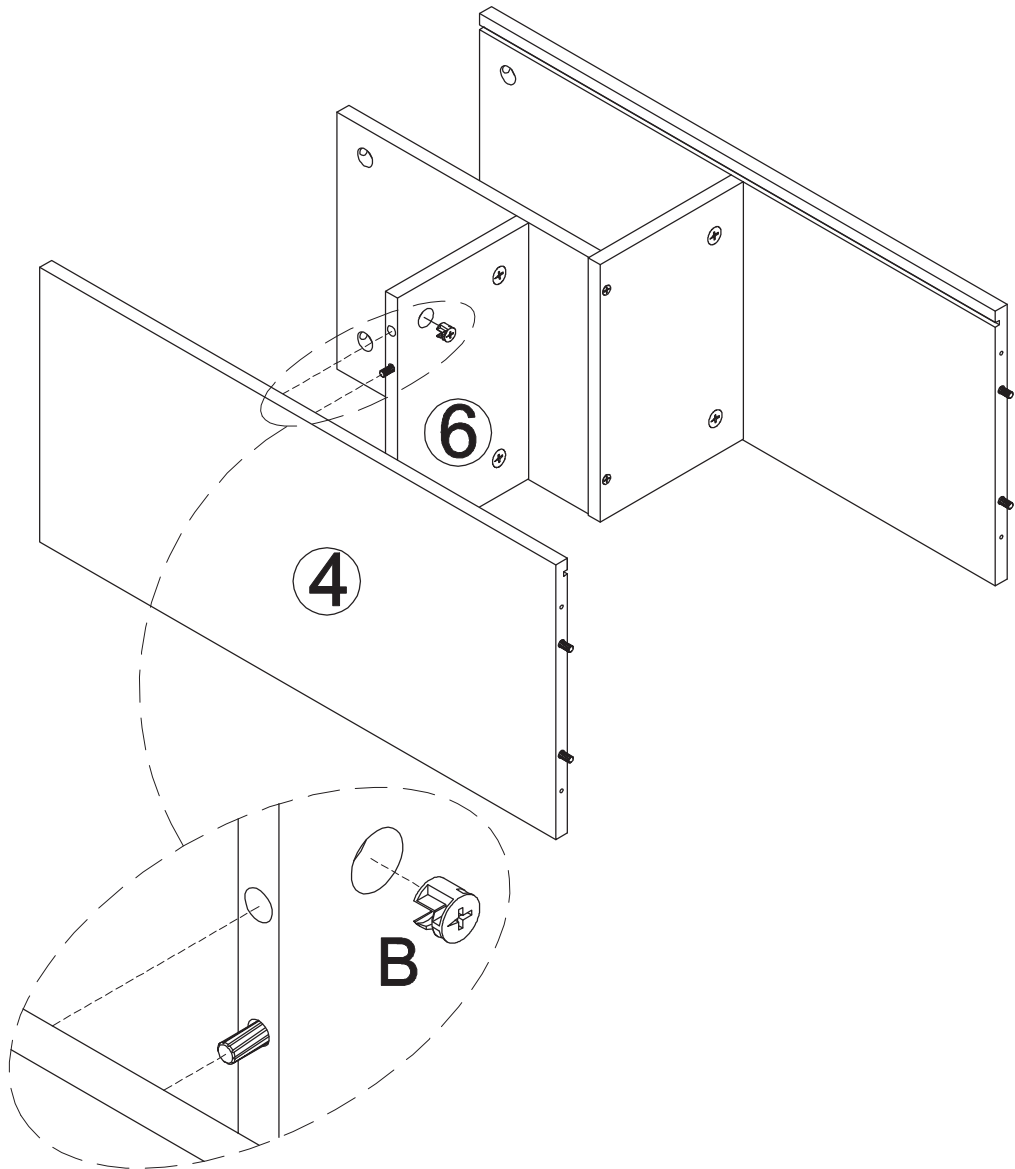
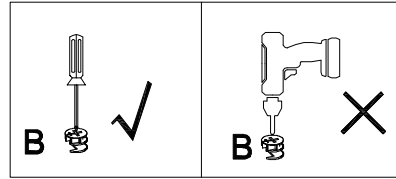
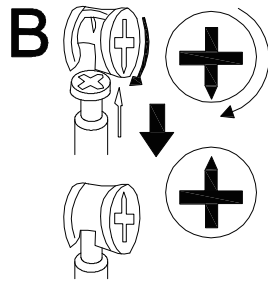
Step 8

 Bx2



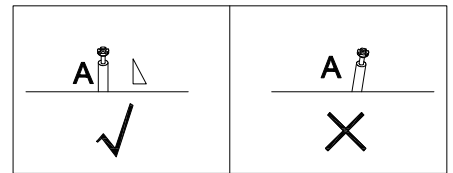
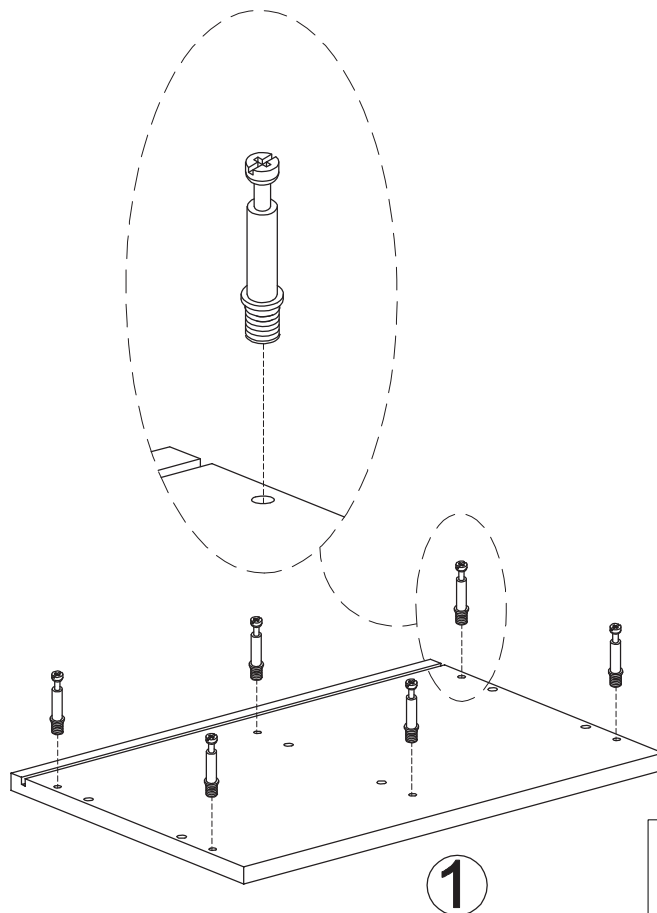


Step 9



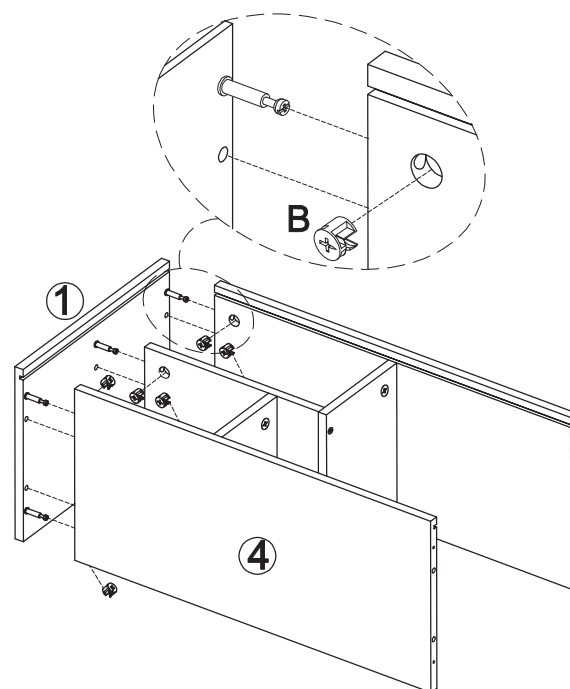
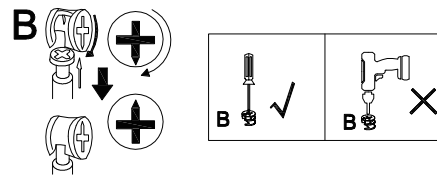
Step 10

 Ax6

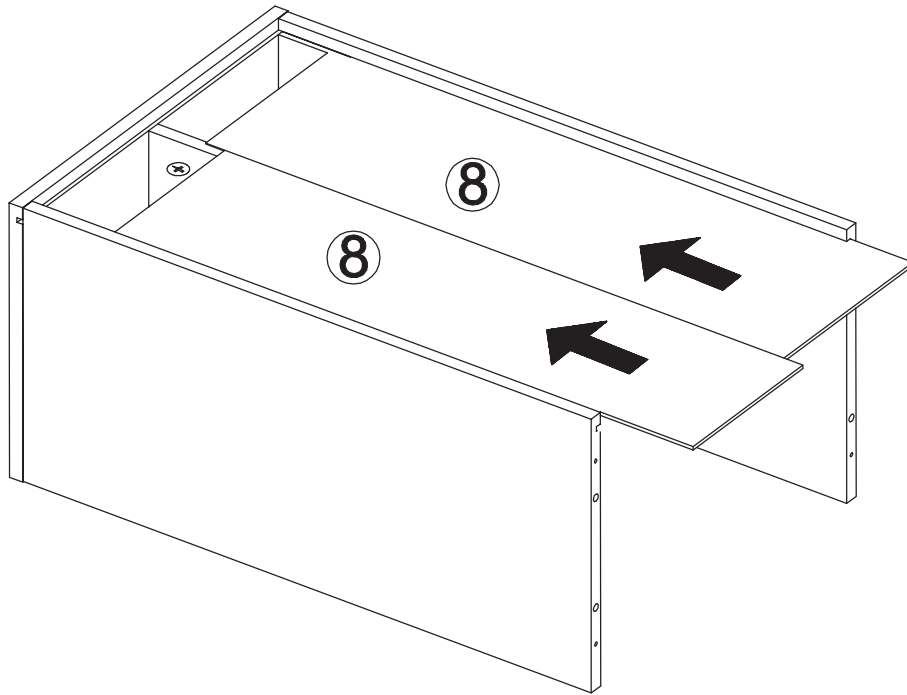


Step 11

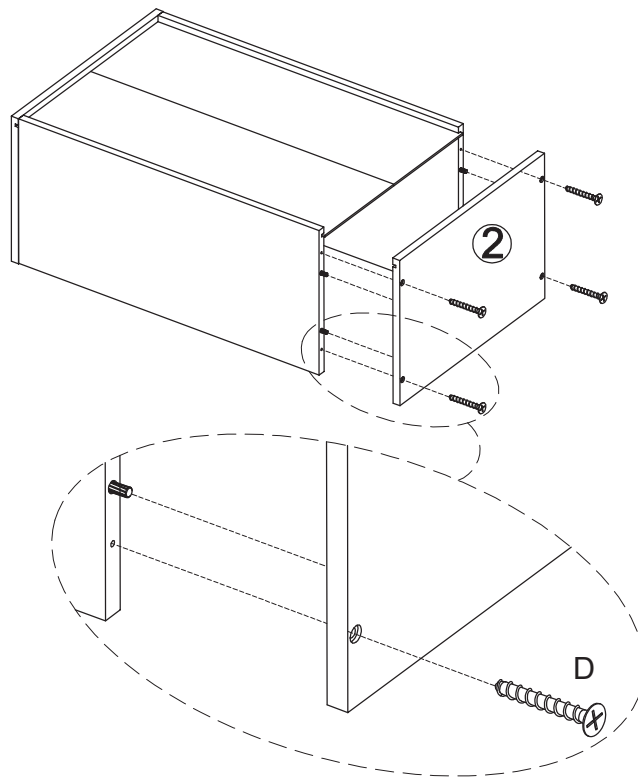
 Bx6



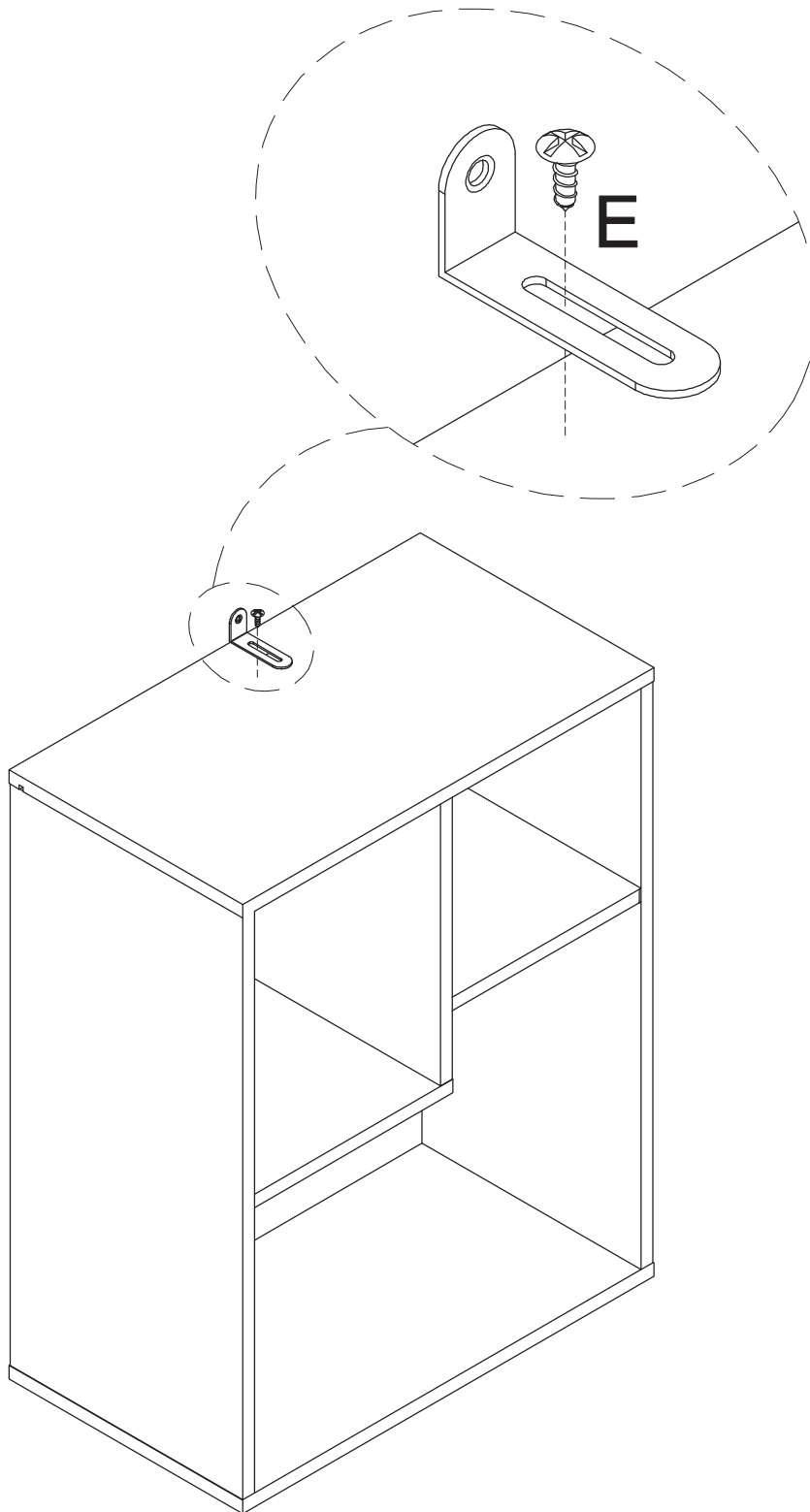
Step 12



Step 13



Step 14



Step 15

