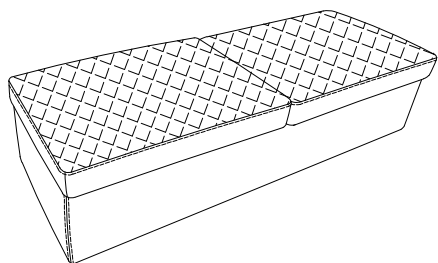


# HC5692

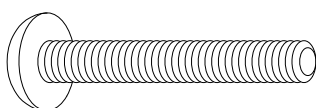
A X 1PC



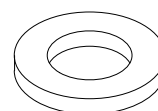
B X 4PC



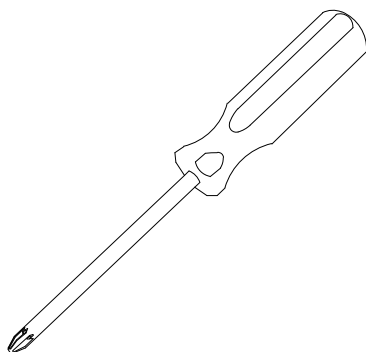
C X 4PC



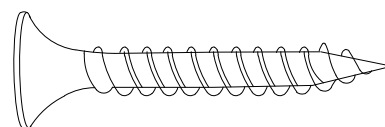
D X 4PC



E X 1PC

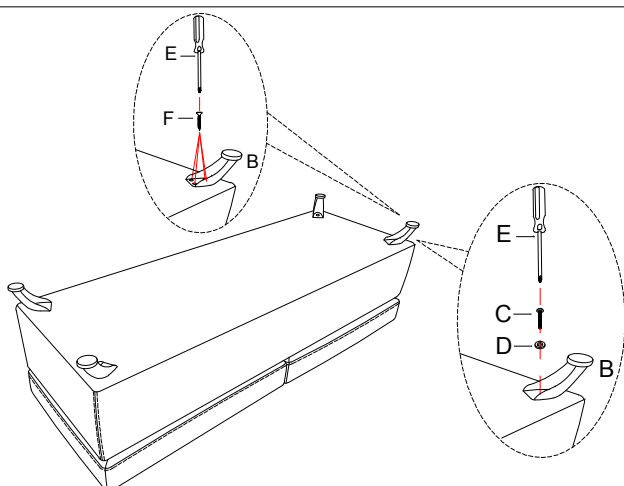


F X 16PC



This screw is used to position the legs and assist with force application

1



2

