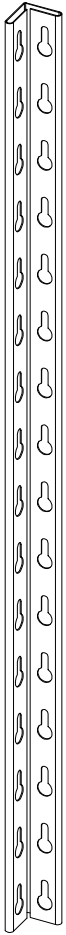
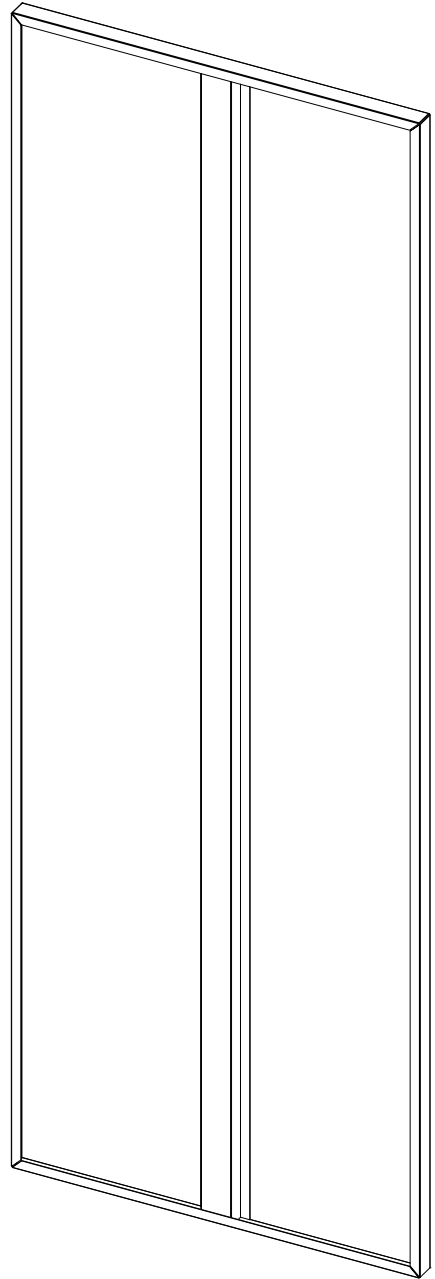
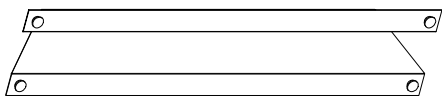
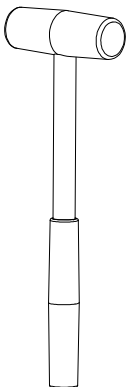
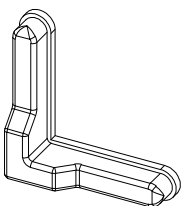
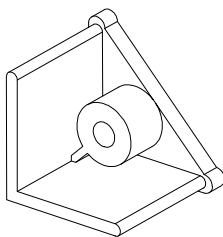
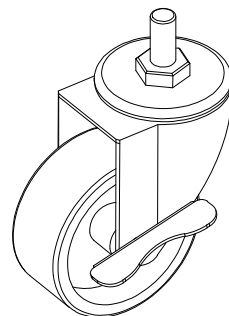
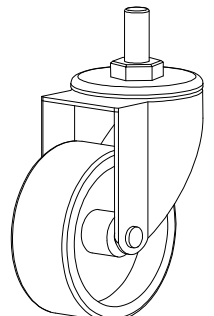




A**x4****B****x6****C****x3****D****x6**

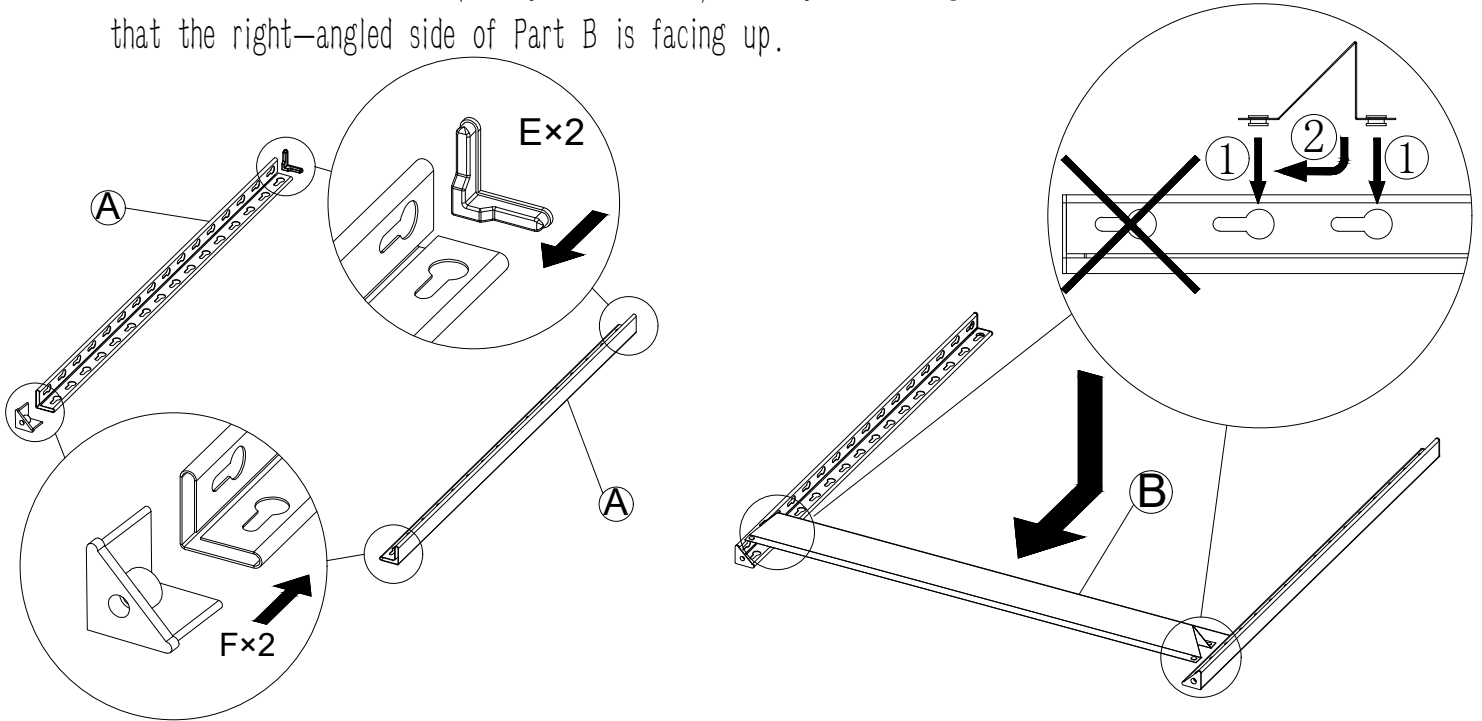
Small hammer

**x1****E****x4****F****x4****G****x2****H****x2**

1

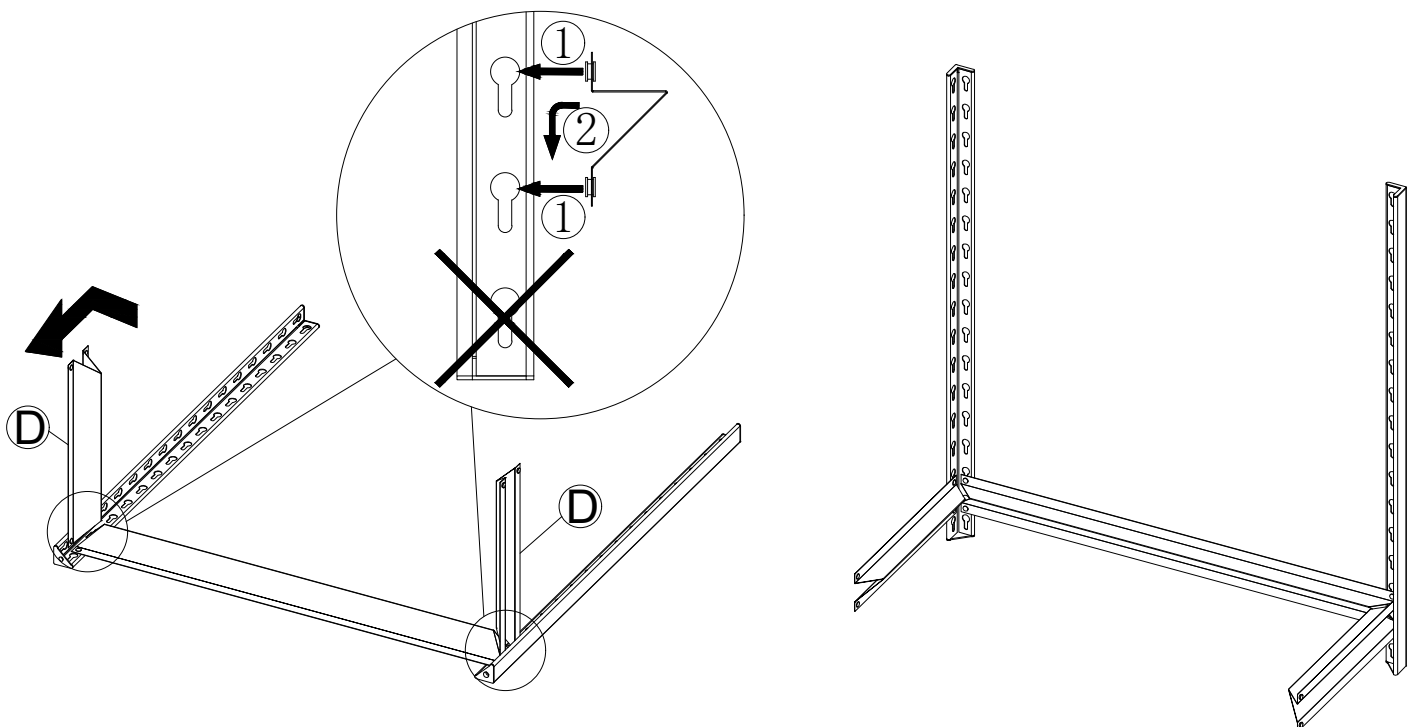
Note the T-shaped round hole on Part A, with the large round hole facing up. Align plastic cover E with the slot of Part A and tap with the small hammer so that it is fully inserted. Similarly, insert the plastic base F completely into the slot of Part A with the small hammer. Start with the second hole at the bottom of Part A, as the plastic parts on the bottom can interfere with the installation.

Snap the two rivets on beam B into the round holes in the two Parts A, and then use the small hammer to hit beam B completely to the end, thereby connecting Part B to the two Parts A. Note that the right-angled side of Part B is facing up.

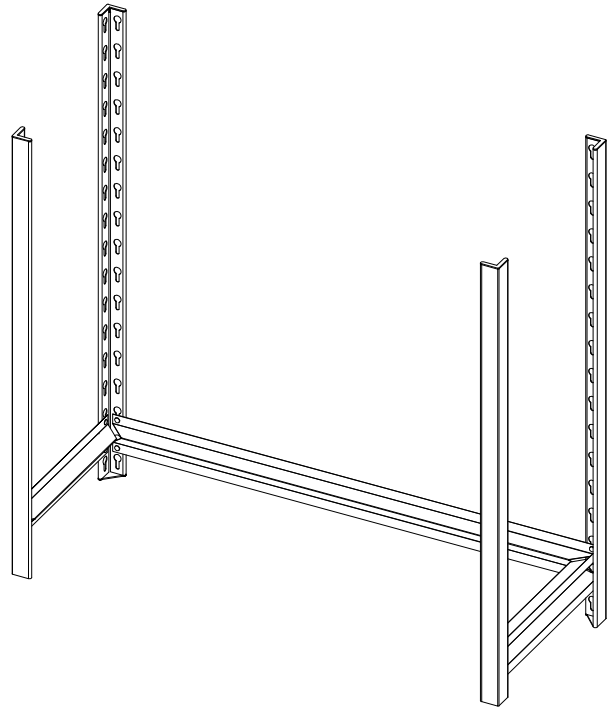
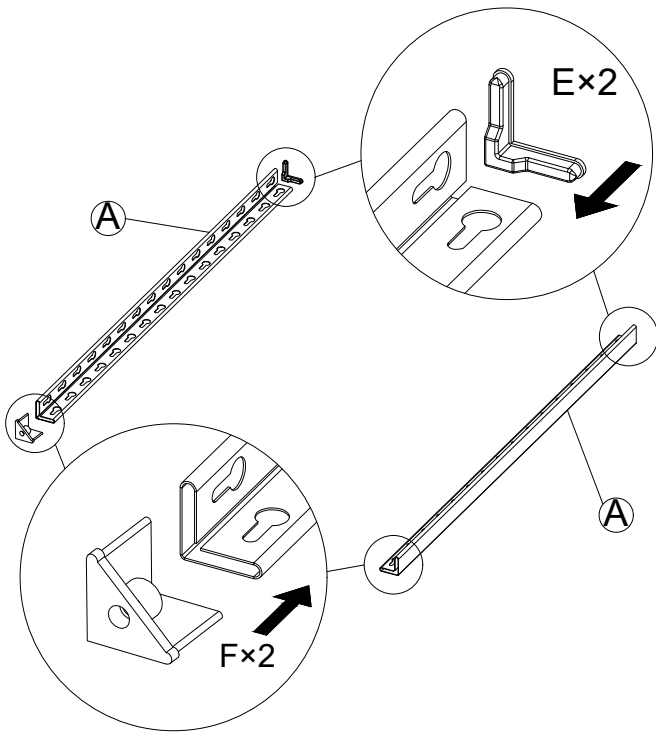


2

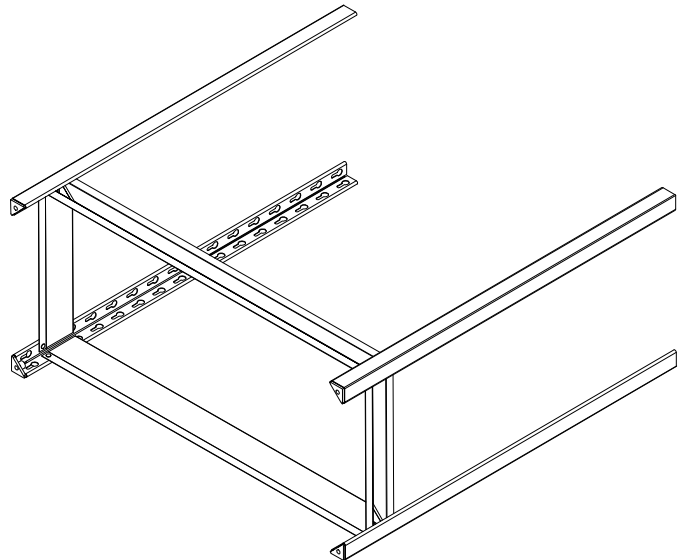
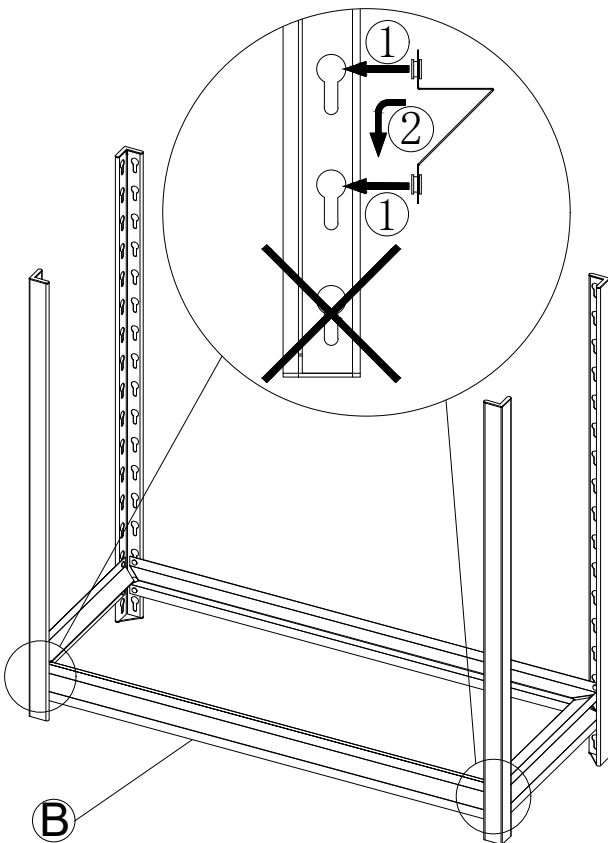
Connect Part D to parts A and B by snapping the two rivets on part D into the round holes of Part A, and then hitting part D completely to the end with the small hammer. Note that the right-angled side of Part D is facing up.



3 Similarly, to install the remaining two Parts A, do not forget to hit them with the small hammer to make them more stable.

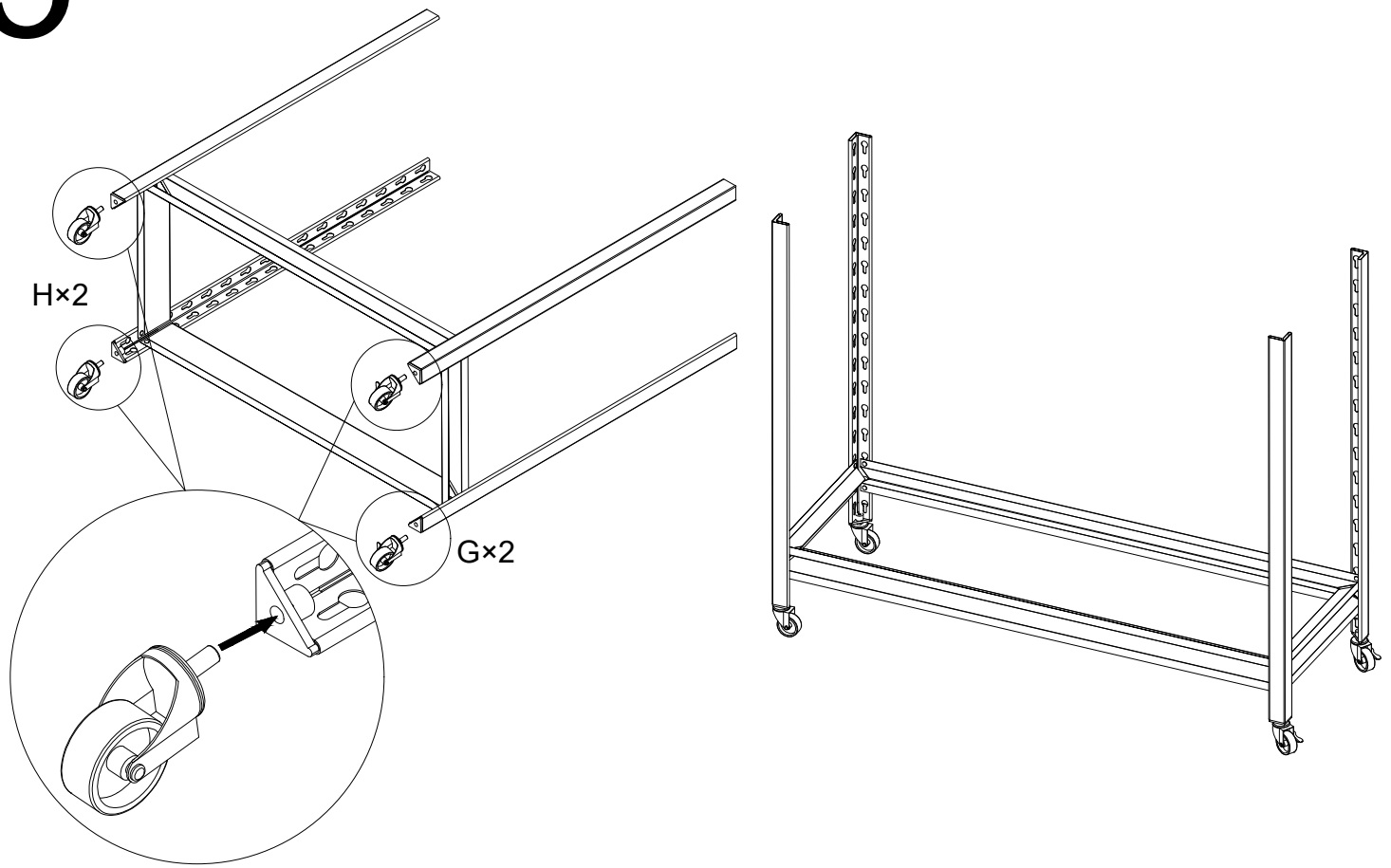


4 Snap the two rivets on beam B into the round holes in the two Parts A, and then use the small hammer to hit beam B completely to the end, thereby connecting Part B to the two Parts A. Note that the right-angled side of Part B is facing up.

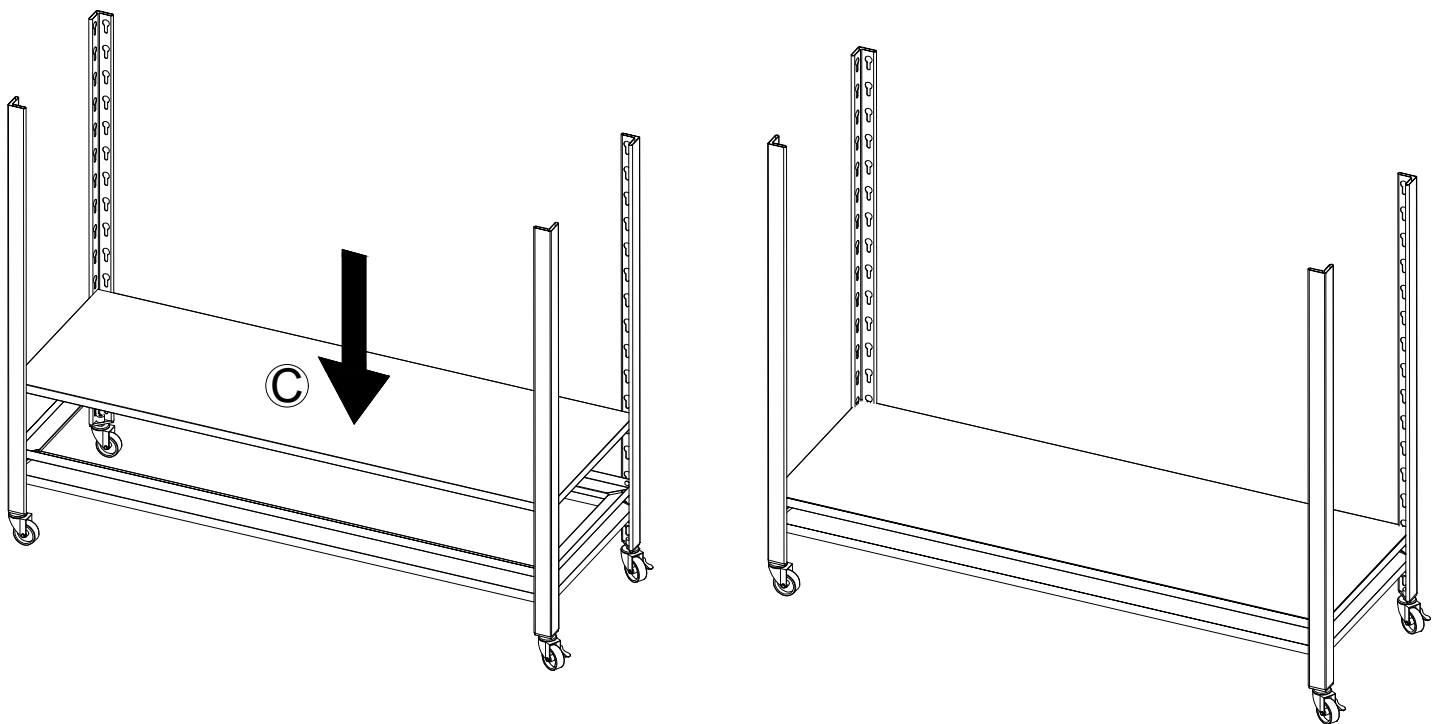


5

Attach the two lockable casters to the same side.

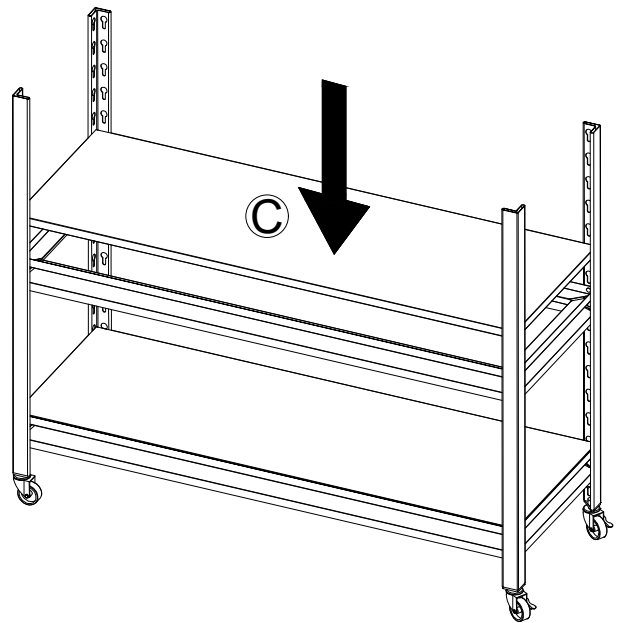
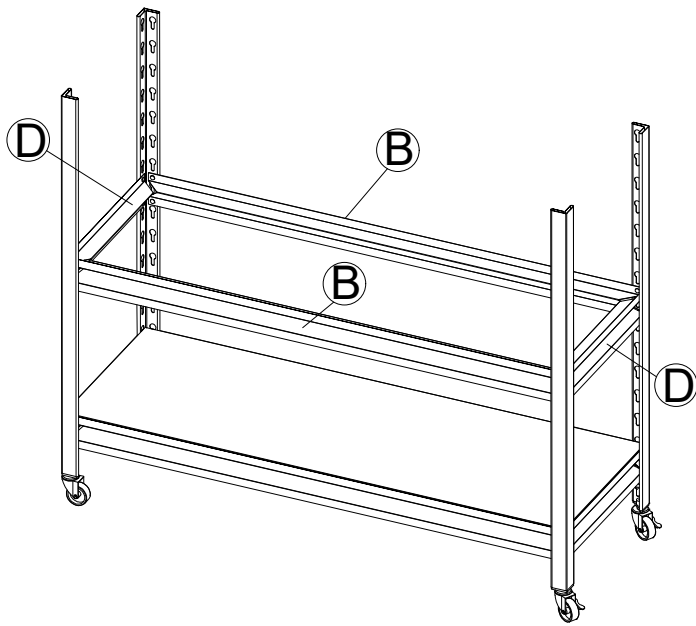


6



7

In general, each shelf is spaced with 7 round holes, and you can adjust the height according to your needs.



8

