













Care & Maintenance

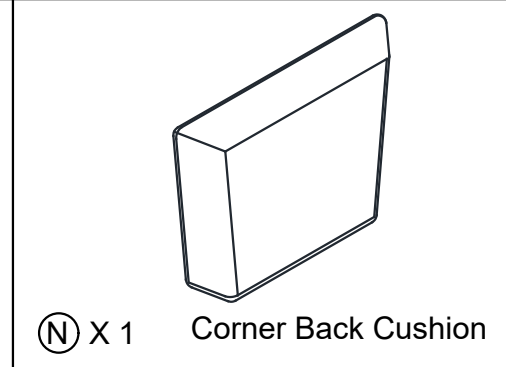
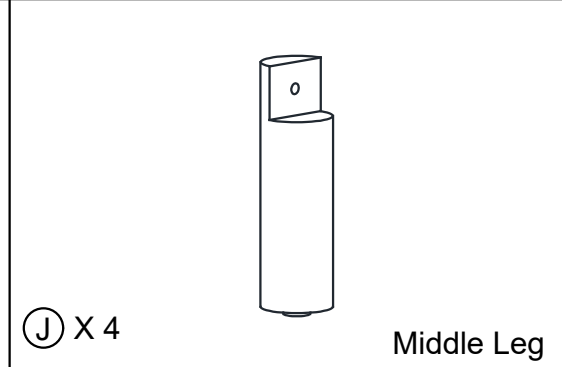
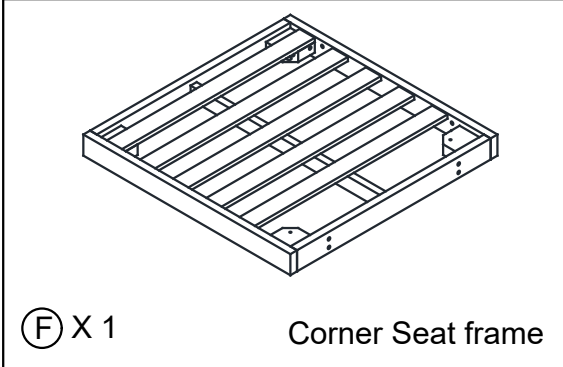
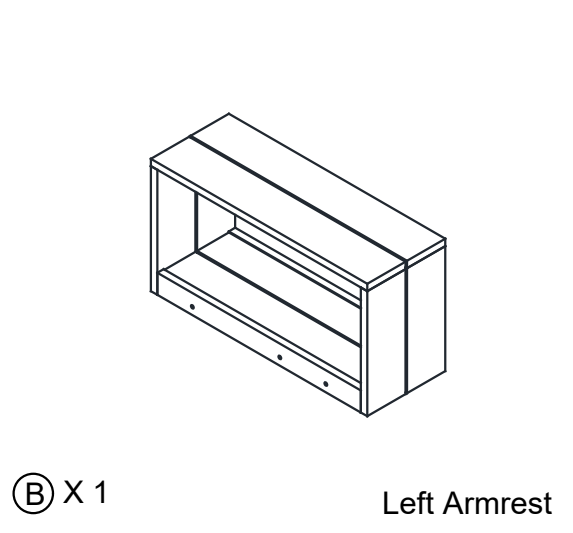
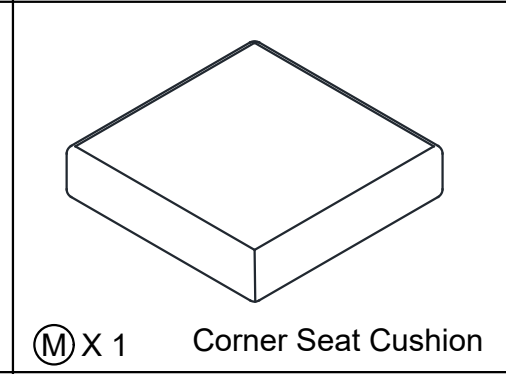
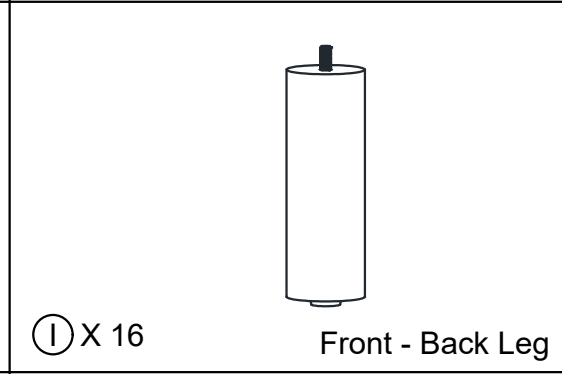
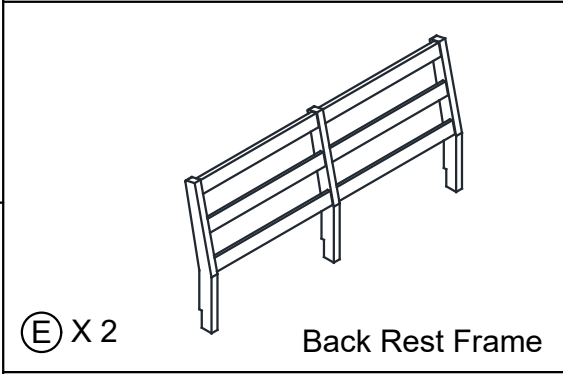
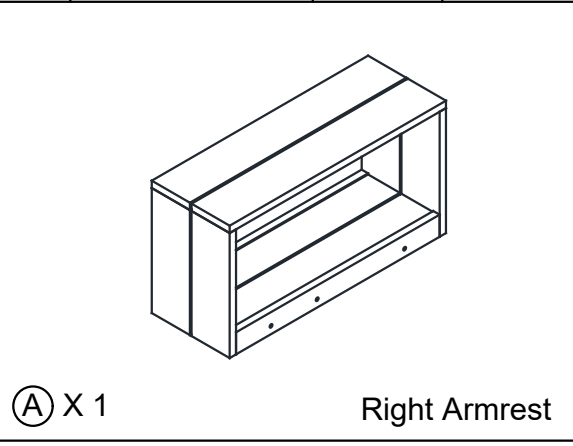
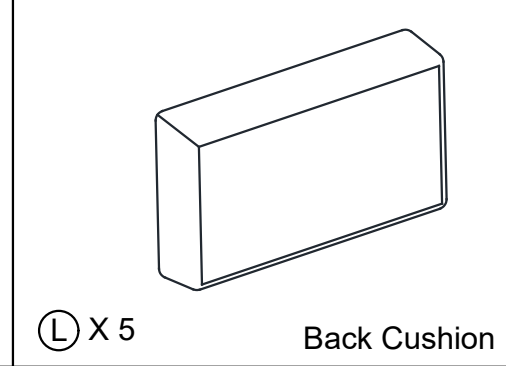
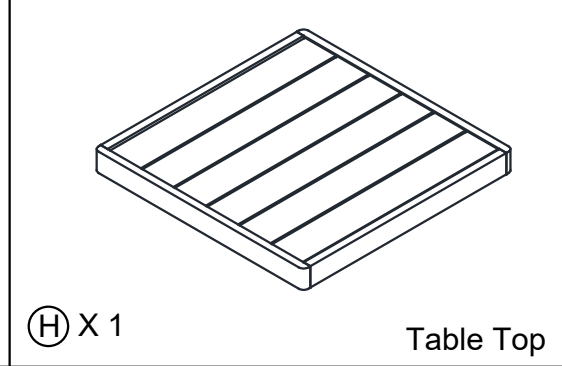
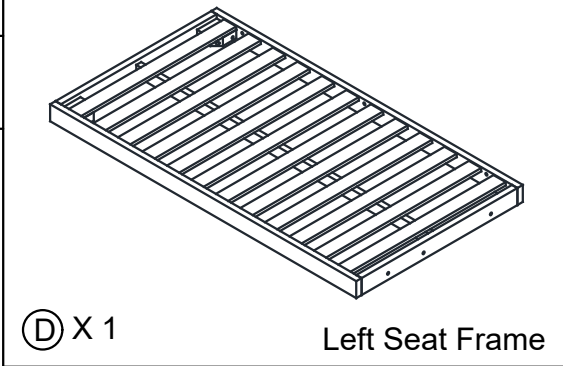
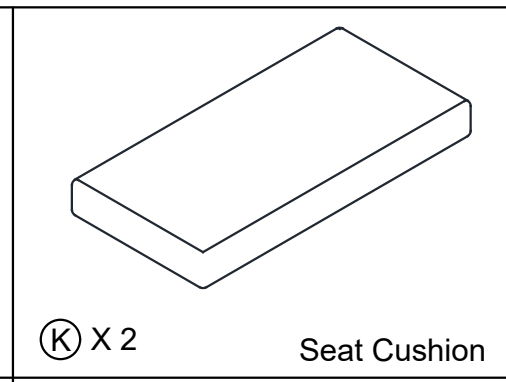
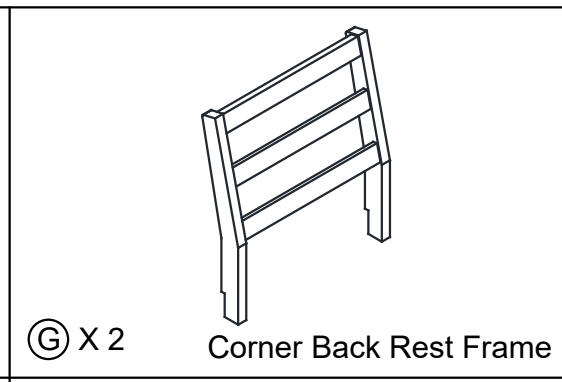
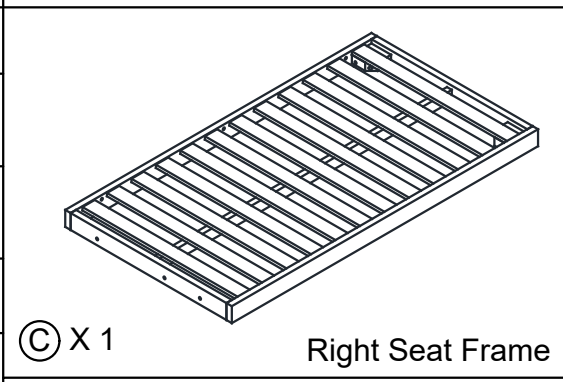
Caution: You must read this before you proceed

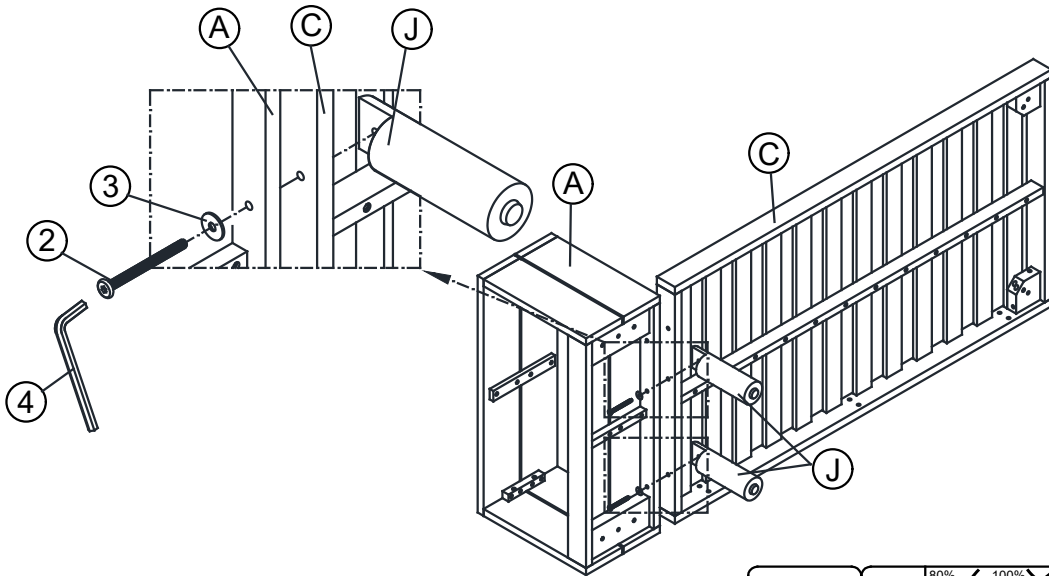
- ⊘  ● Not for commercial use. For residential use only.
- ⊘  ● Prolonged exposure to rain may cause rusting which can stain floors.
- ⊘  ● Do not put hot items directly on furniture surface.
- ⊘  ● Do not clean furniture with harsh cleansers or polish.
- ✓  ● To obtain the longest lifespan of your outdoor products, minimizing exposure to direct sunlight is recommended.
- ⊘  ● Children should not climb or jump on the furniture.
- ⊘  ● Do not write on furniture without a padded barrier to protect the surface.
- ✓  ● To obtain the longest lifespan of your outdoor products, avoid extended and lengthy exposure to rain, snow, and direct sunshine. Whenever possible cover the product and /or place under patio or awnings.
- ⊘  ● Do not place the product in stone areas or areas that absorb too much sunlight.
- ⊘  ● Stains may be removed with mild soap solution and damp cloth.
- ✓  ● Keep away from sources of ignition.
- ✓  ● High-pressure water guns must not be used for cleaning. Dust and pick-up spills using a clean, non-colored, lint-free cloth.

SKU: KS-KFS07/KS-KFS08

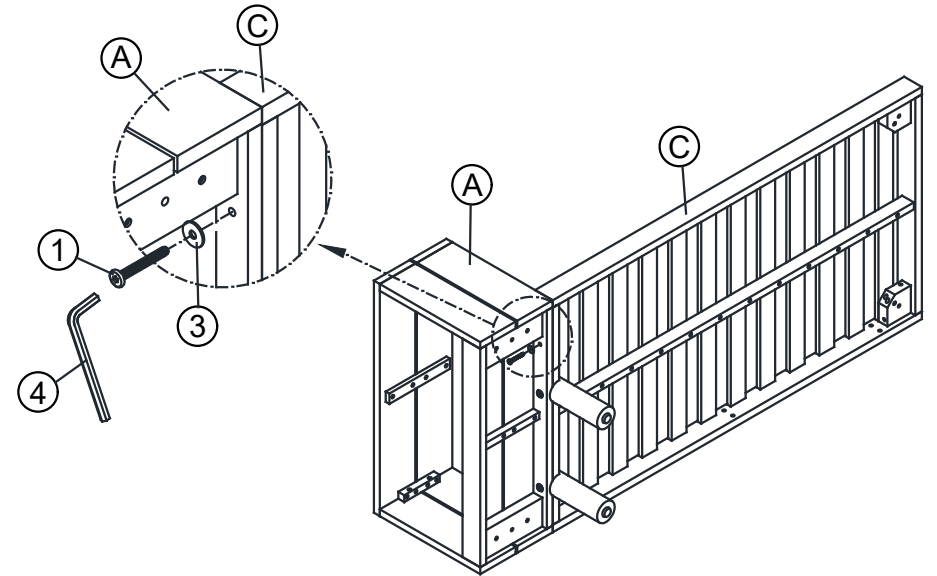
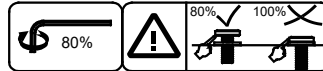
ASSEMBLY INSTRUCTION

No	Hardware	Fig	Q.ty
①	Bolt M6x45mm		22
②	Bolt M6x60mm		4
③	Washer M6x18x2mm		6
④	Allen Key		2
⑤	Velcro		4

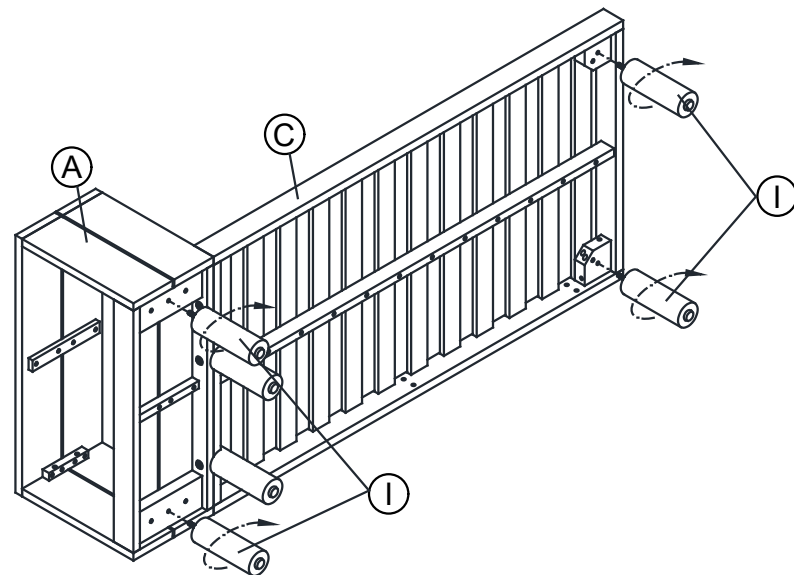




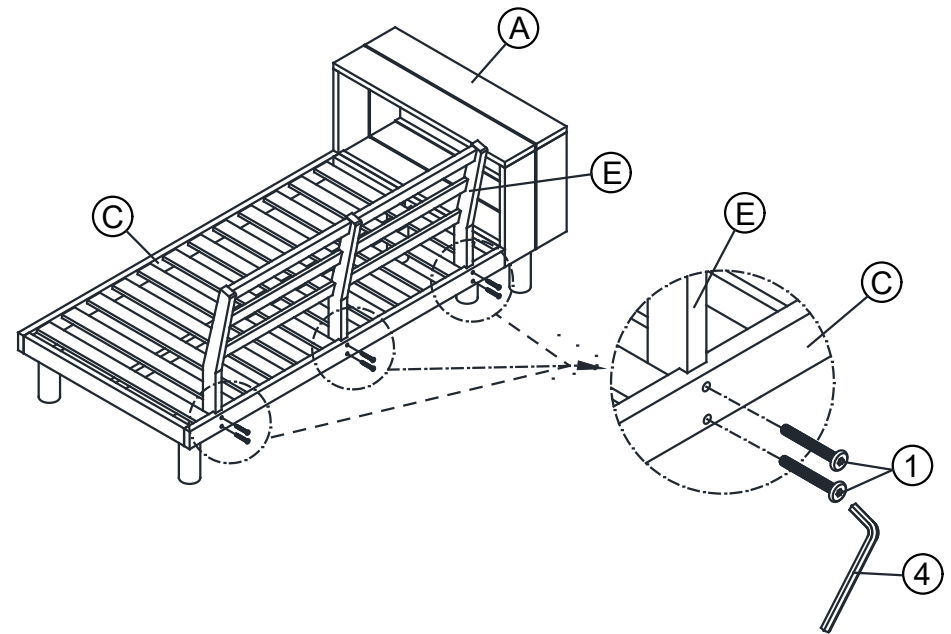
STEP 1



STEP 2

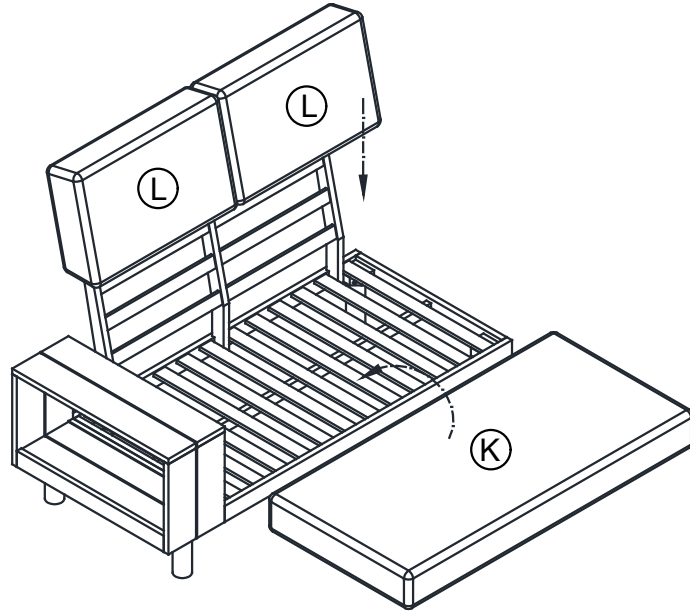


STEP 3

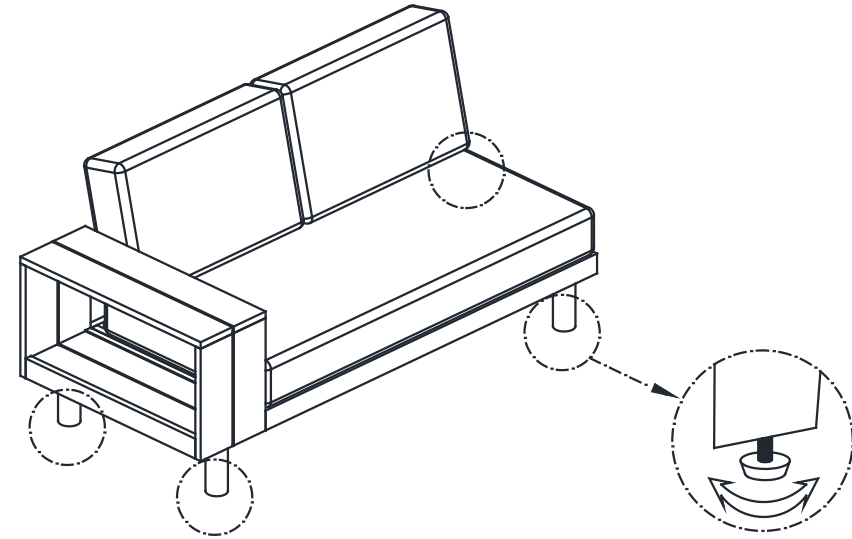


STEP 4





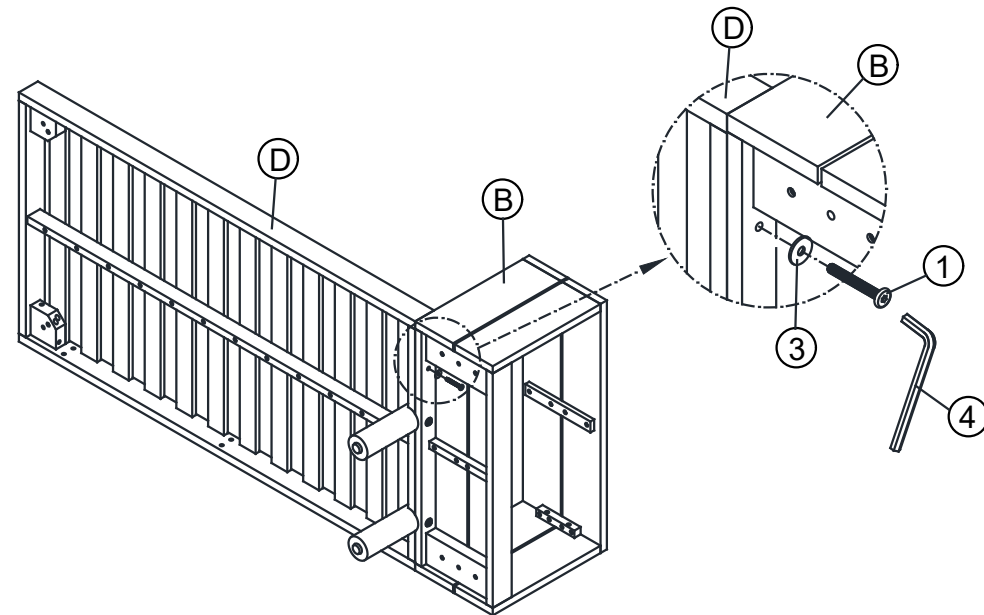
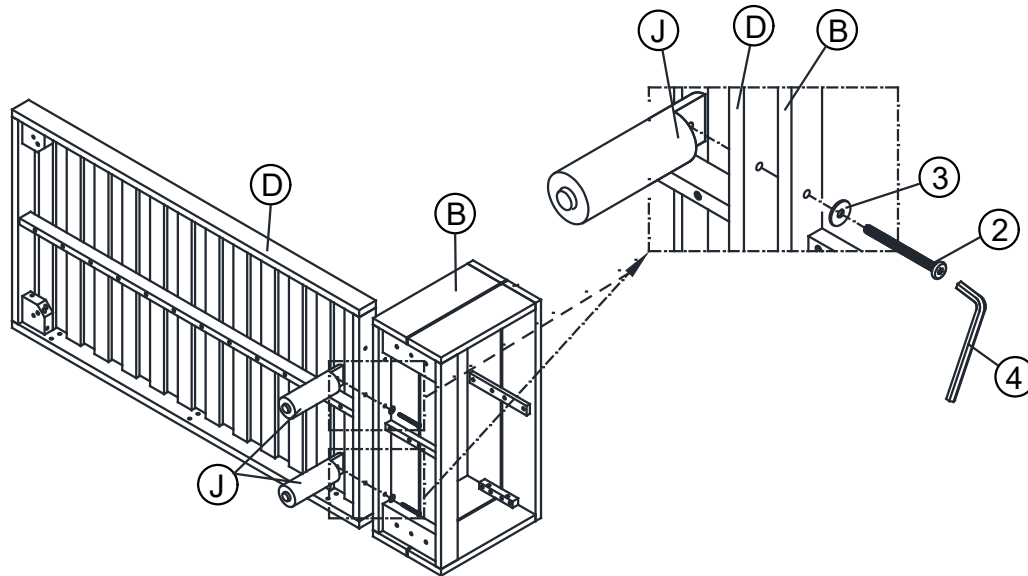
Right Arm sectional Sofa



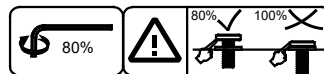
Turn the Right Arm sectional Sofa upright and adjust the levelers at the bottom of the legs (if needed) to balance the Sofa.

STEP 5

STEP 6

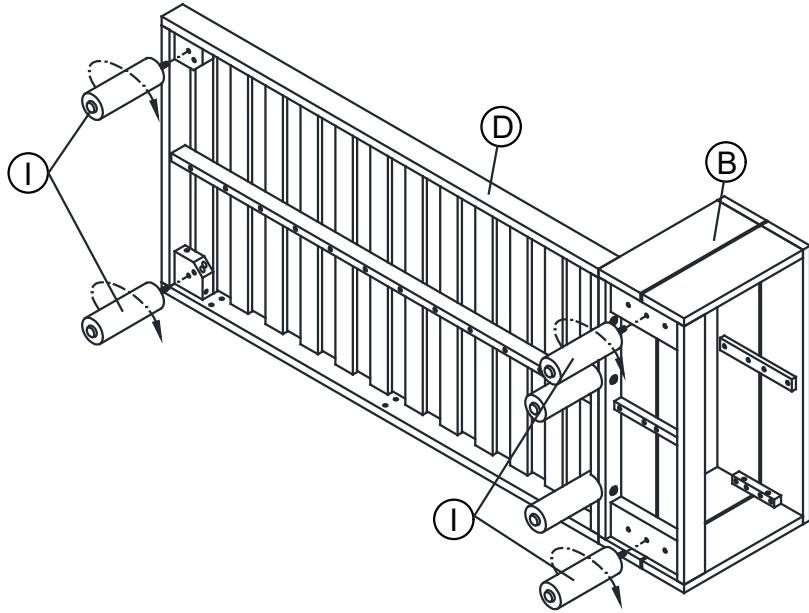


STEP 7

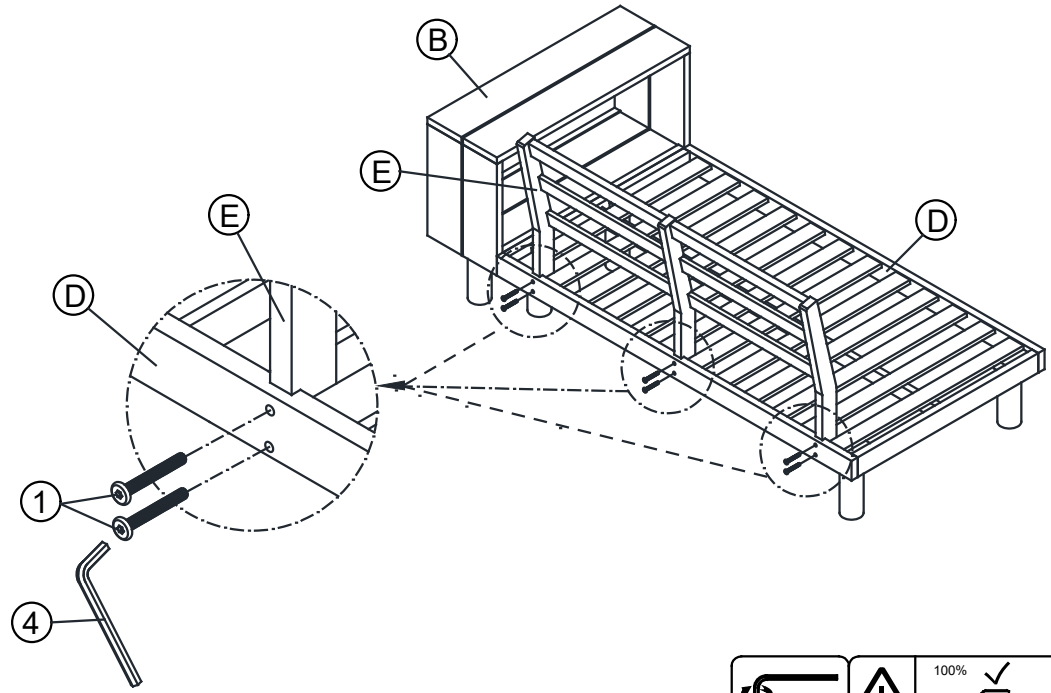


STEP 8

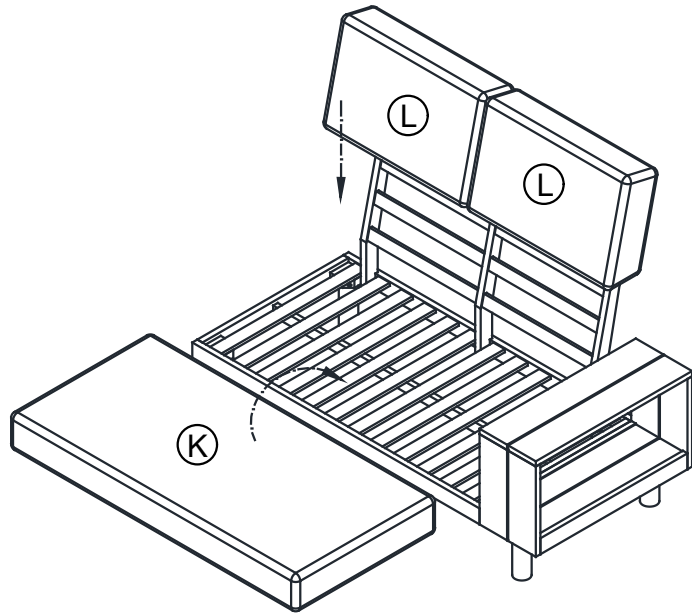




STEP 9

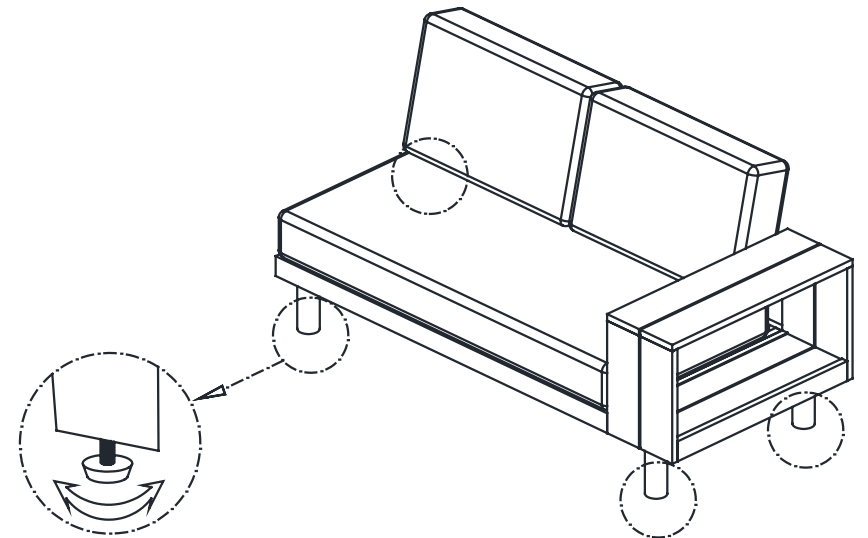


STEP 10



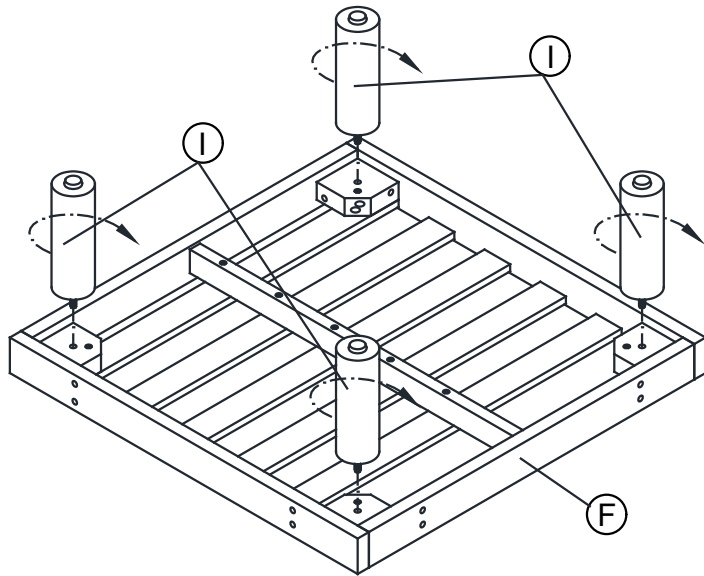
STEP 11

Left Arm sectional Sofa

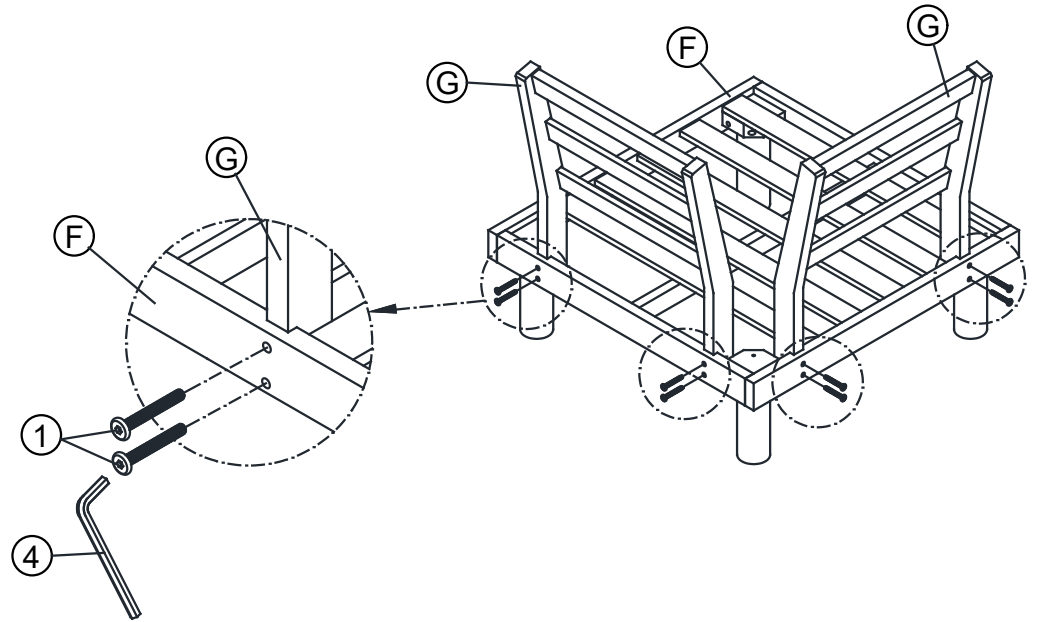


Turn the Left Arm sectional Sofa upright and adjust the levelers at the bottom of the legs (if needed) to balance the Sofa.

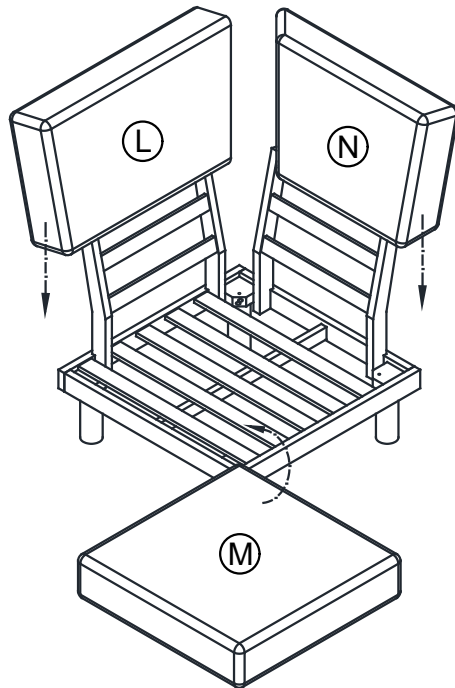
STEP 12



STEP 13

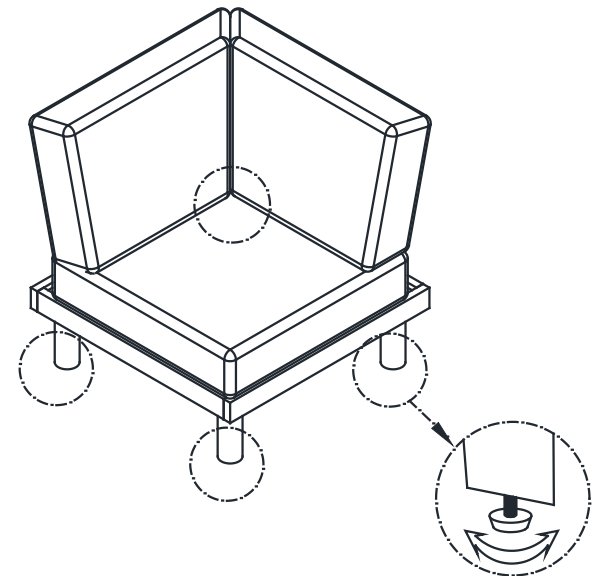


STEP 14



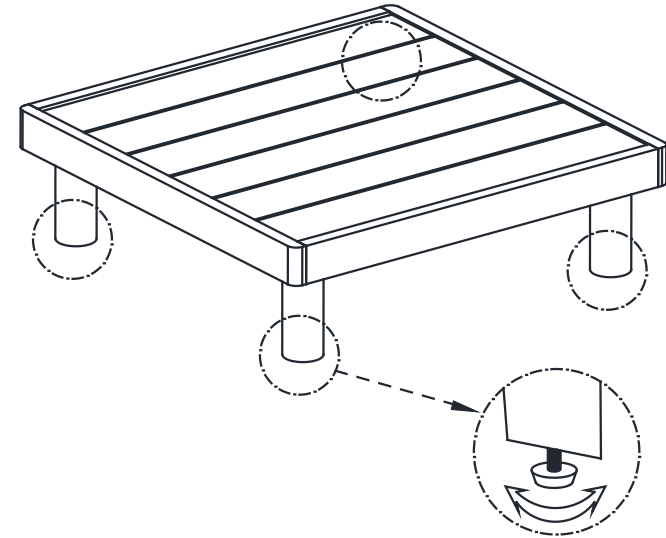
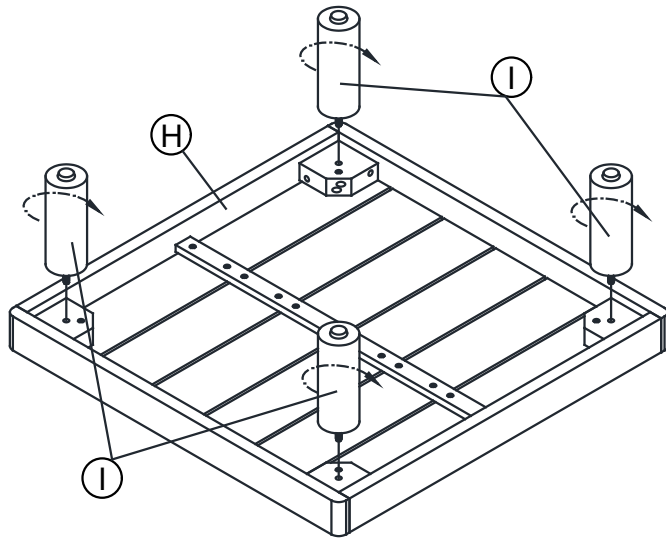
STEP 15

Corner sectional Sofa



Turn the Corner sectional Sofa upright and adjust the levelers at the bottom of the legs (if needed) to balance the Sofa.

STEP 16

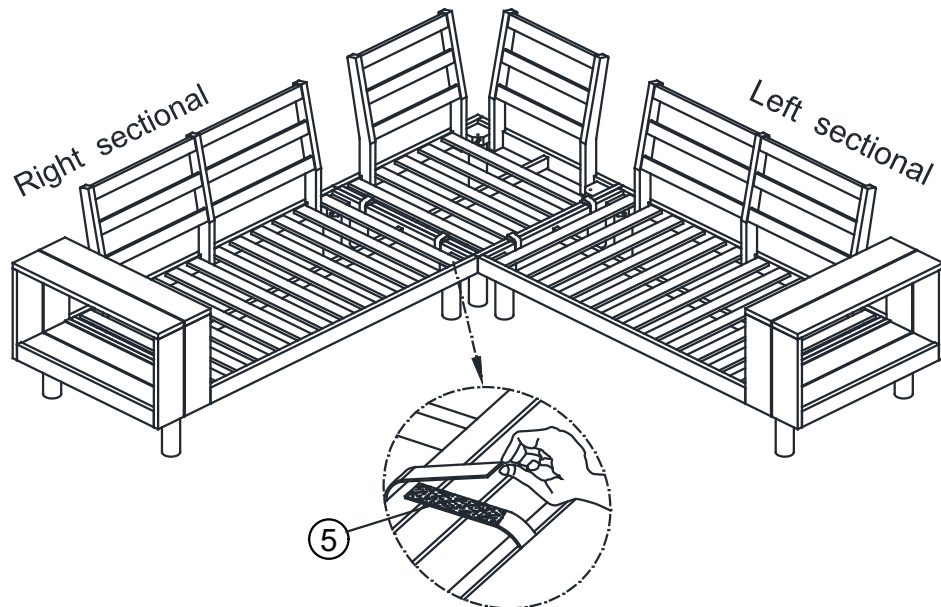


Turn the Table upright and adjust the levelers at the bottom of the legs (if needed) to balance the Table.

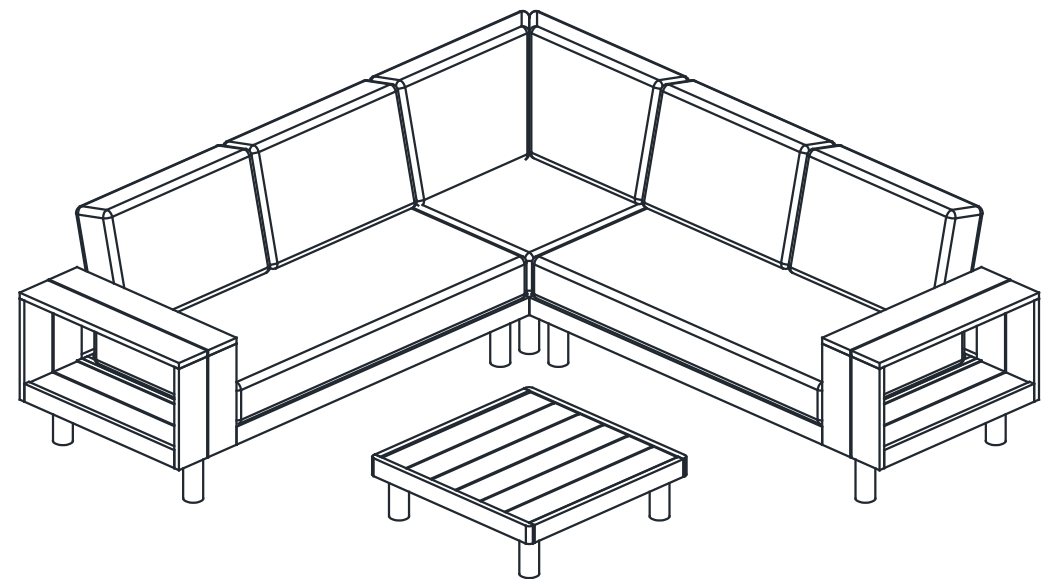


STEP 17

STEP 18



Ensure Corner Sectional and Left + Right Arm Sectional connect to each other by using velcro straps (5).



STEP 19

STEP 20

NOTE:

Vaccum compressed cushions,
Will return to normal shape after 5-7 days use.

