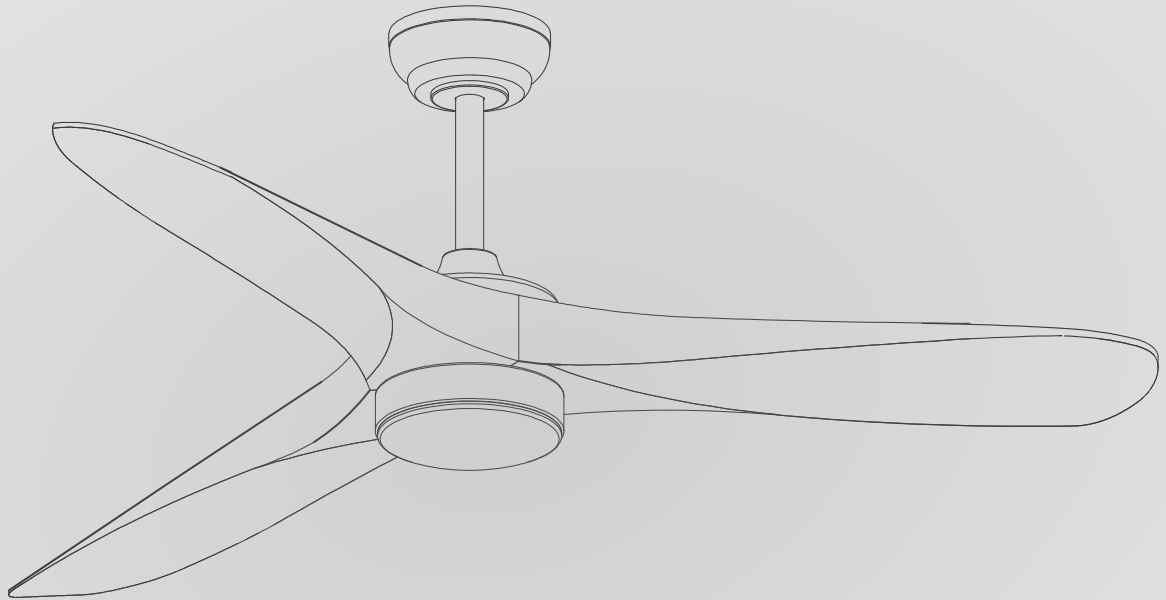



CEILING FAN LIGHT

Model No.: HY-6257-3-52



 Install Video Via
Scan The QR
Code, Or Website
As Follow:



USER'S MANUAL

Thank you for purchasing the our Smart Ceiling Fan.

To get the best long-lasting performance, please read and follow this User's Manual carefully before operating.

Atter reading, please store this manual in a safe place, and refer to it when needed.

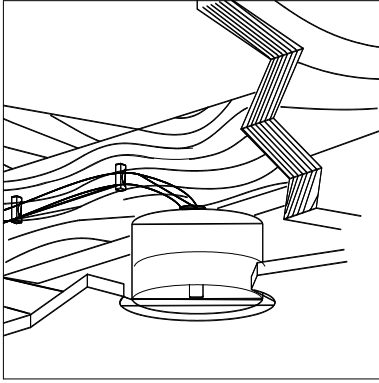


Table Of Contents

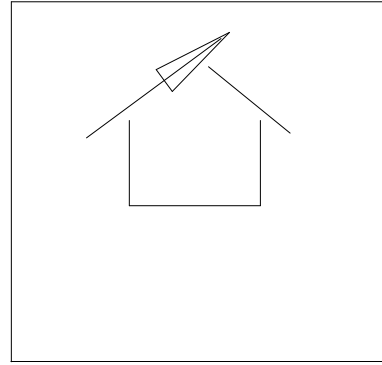
Safety precautions and tools-----	02
Package Contents-----	03
Assembling The Ceiling Fan-----	04-06
Install Hanging Plates-----	07
Wiring Ana Mounting-----	08-09
Remote Control-----	10
Connection Guide-----	11
Maintenance & Repair-----	13

Safety Precautions And Tools

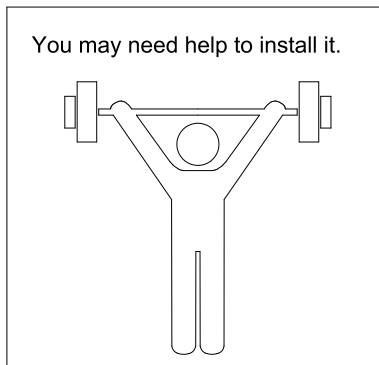
Safety Precautions:



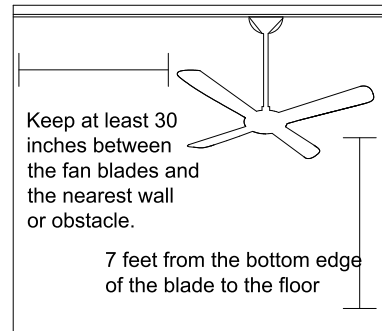
- ✓ Make sure the fan is firmly attached to the building structure or a proper outlet box.



- ✓ The ceiling angle for inclined ceiling installation should be less than 30 degrees

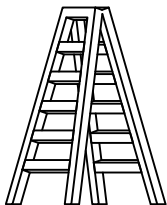


- ✓ Ensure the mounting can support the fan's

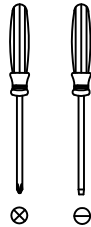


- ✓ Evaluate location.

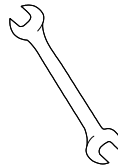
Installation Tools:



Ladder



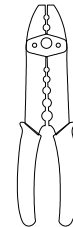
Screwdriver



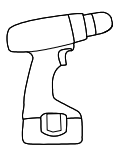
11mm wrench



Pliers



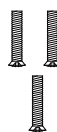
Wire stripping machine



Power drill

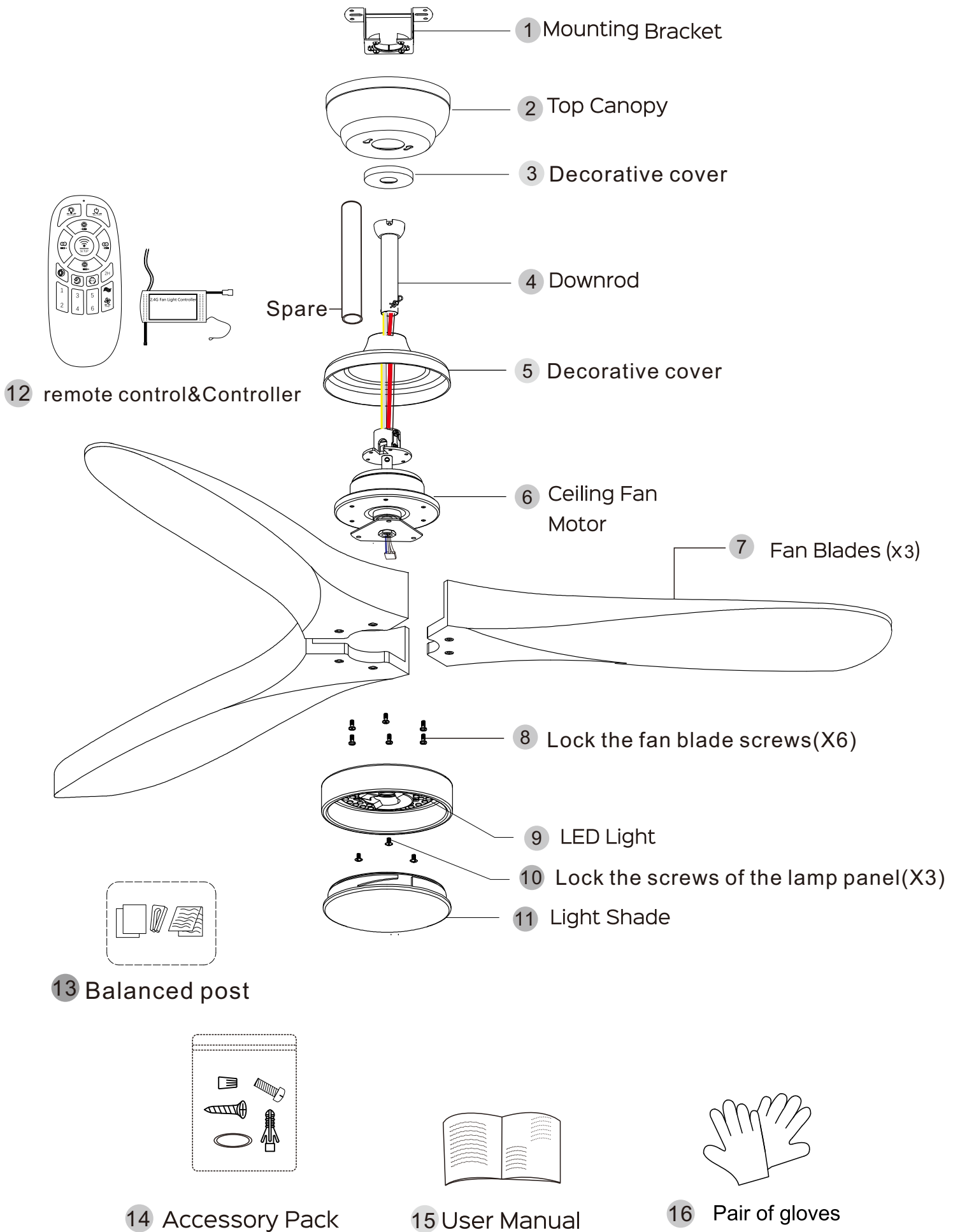


Drill



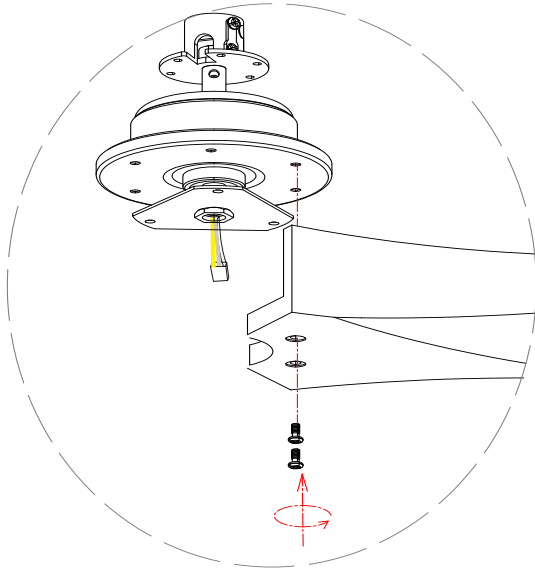
Machine screws

Package Contents

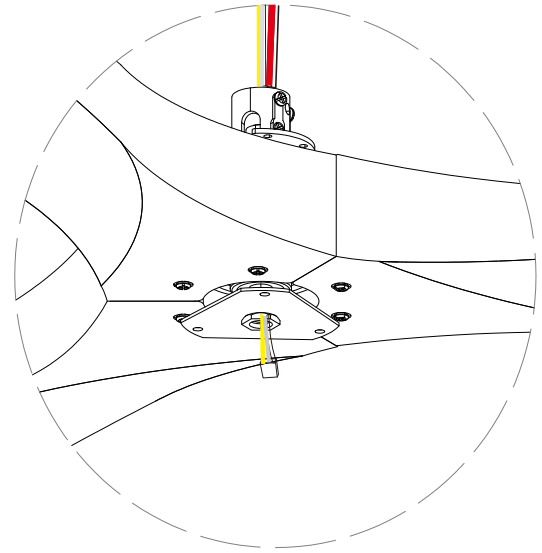


Assembling The Ceiling Fan

1. install The Blade

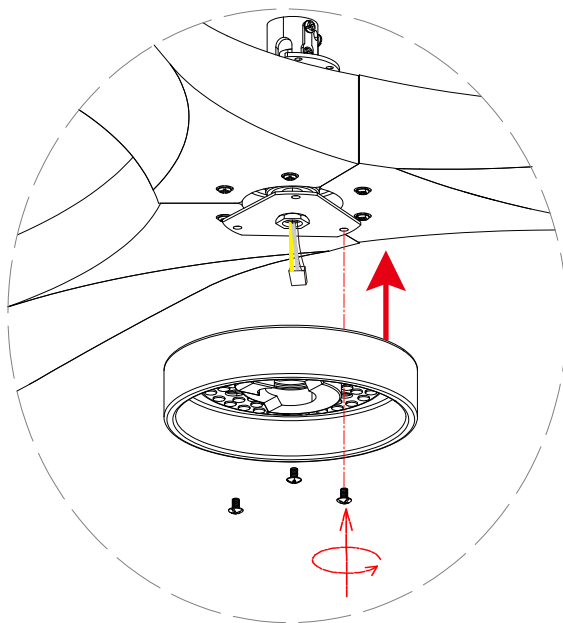


- 1 Secure the fan blades to the motor with screws

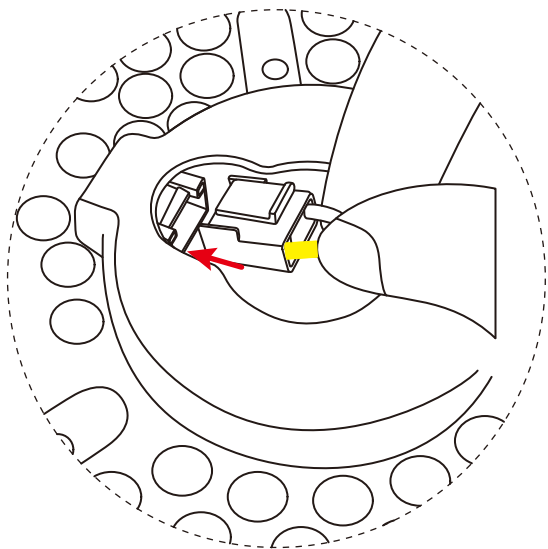


- 2 Complete the installation of the fan blades

2. Install the LED light panel



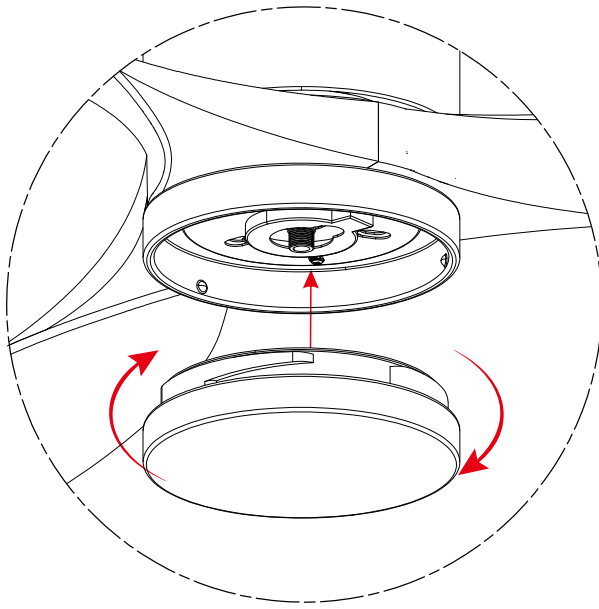
- 1 Secure the light fixture to the triangular piece with screws



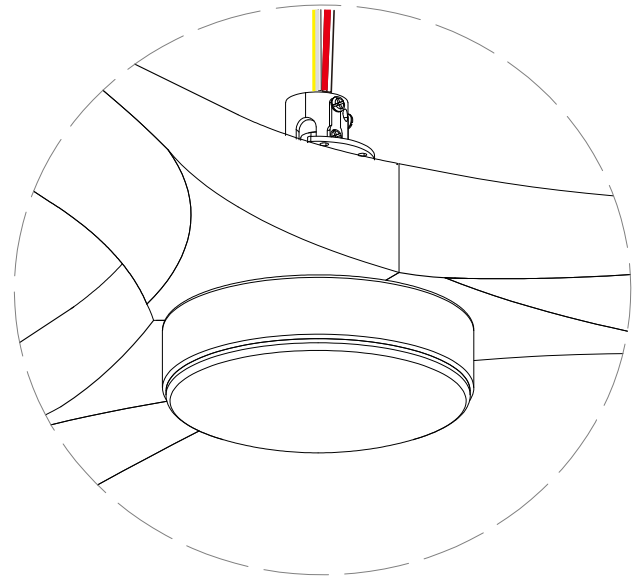
- 2 Insert the power cord of the LED panel light properly

Assembling The Ceiling Fan

3. Install the lampshade

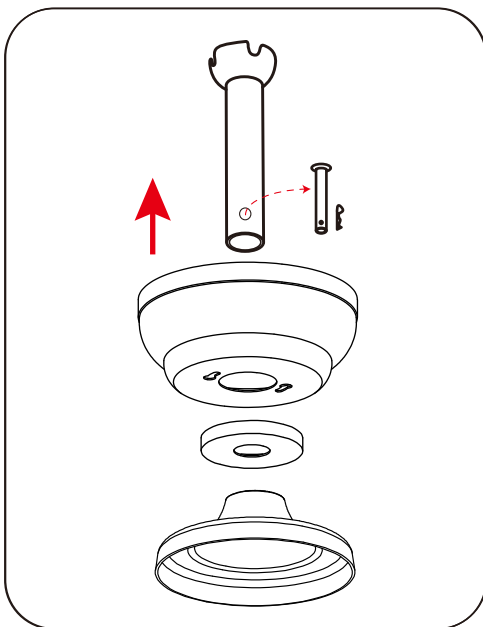


1 Screw the acrylic cover into the fixing plate

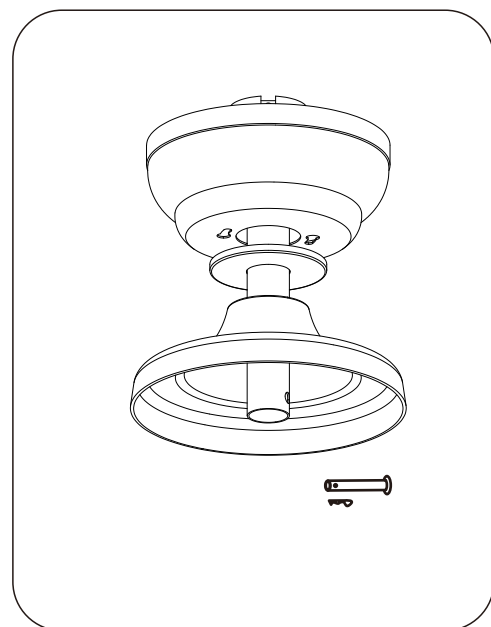


2 The installation of the lampshade is completed.

4. Assemble the suspender rod



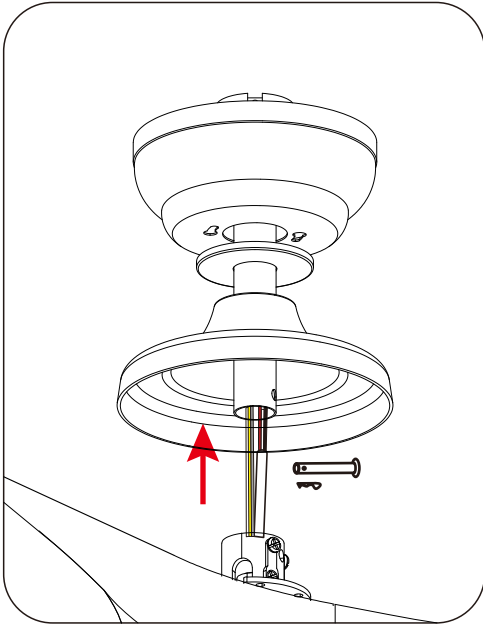
1 The downrod passes through the bottom decorative cup and the top hanging cup



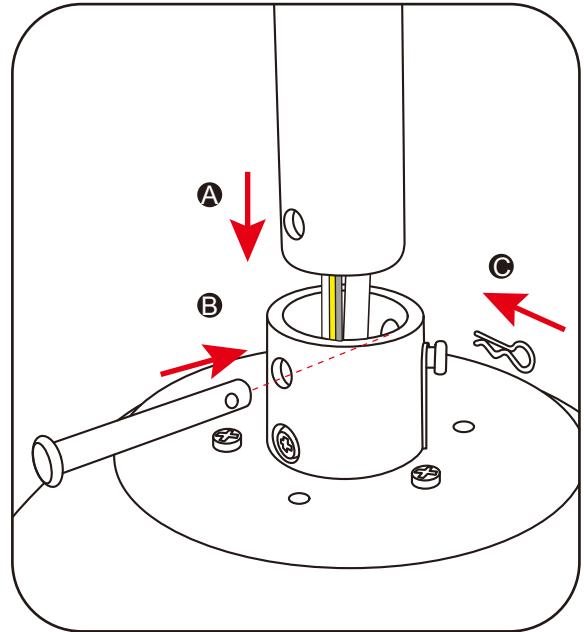
2 Connection result

Assembling The Ceiling Fan

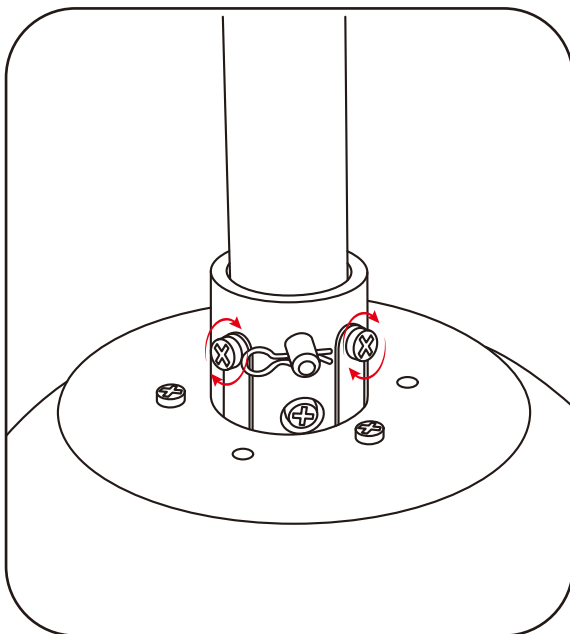
5. Connect the lamp body with the suspender rod



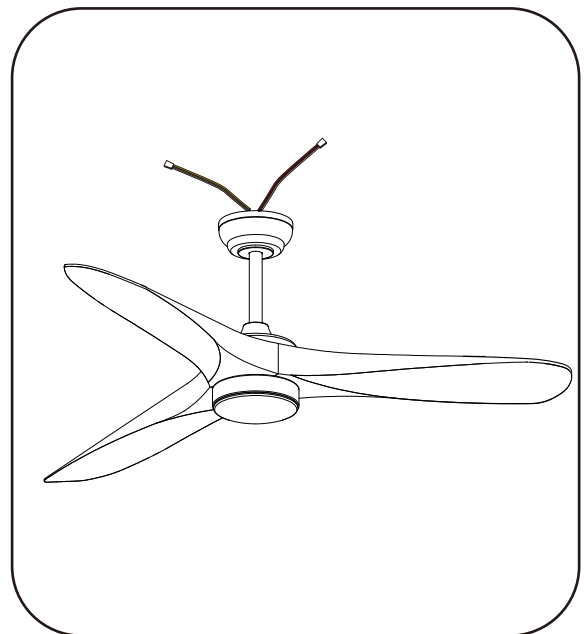
1 The downrod passes through the bottom decorative cup and the top hanging cup



2 A. Insert the rod into the hole
B. Insert the safety pin
C. Lock the withdrawal pin



3 Tighten the two screws on the side



4 The lamp body assembly is completed.

Install Hanging Plates



Turn off the power supply

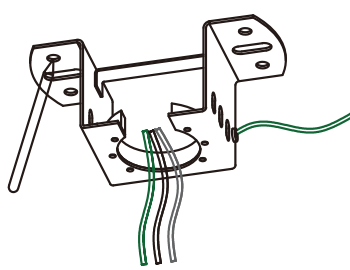
6. Fix the hanger bracket to the ceiling.
Choose the installation method based on your home's ceiling structure.

A

B

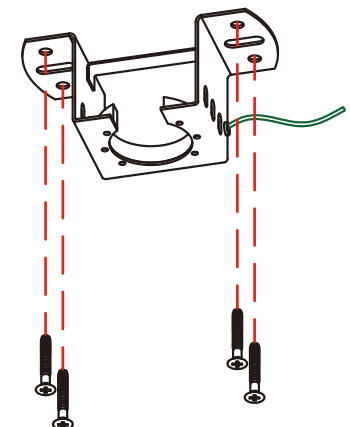
C

① wooden ceiling



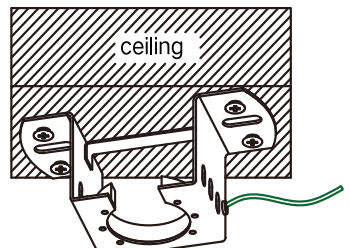
Mark the holes with a pencil

②



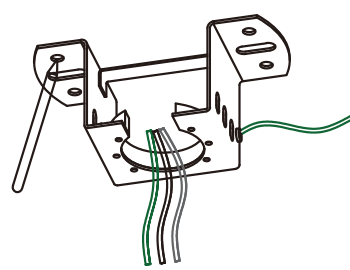
Tighten the screws with a screwdriver

③



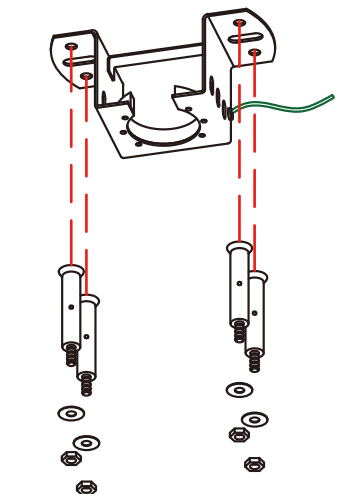
Complete ceiling mount installation

① concrete ceiling



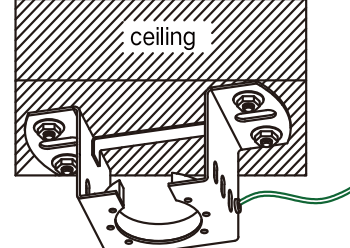
Mark the holes with a pencil

②



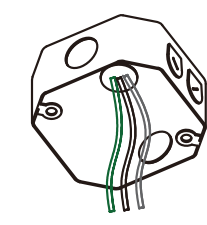
Use an electric drill to drill holes for the mark, then drive in the expansion screws, put on the hanger, put on the washers, nuts, and tighten with a wrench.

③

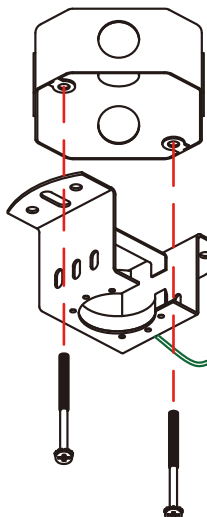


Complete ceiling mount installation

① Embedded junction box

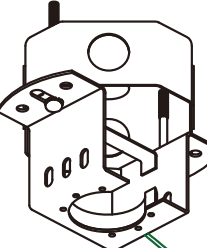


②



Tighten the screws with a screwdriver

③

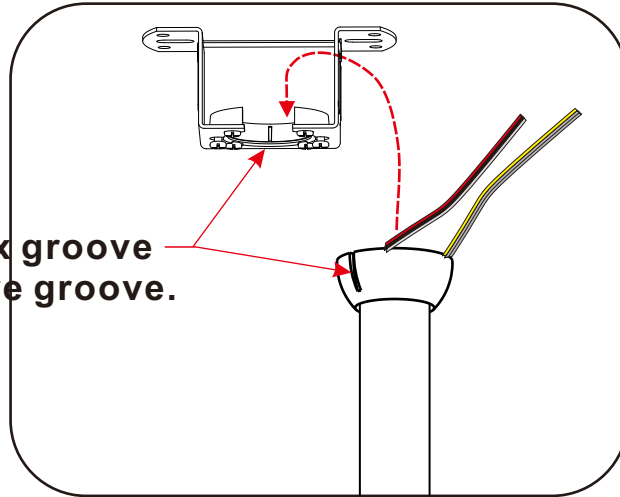


Complete ceiling mount installation

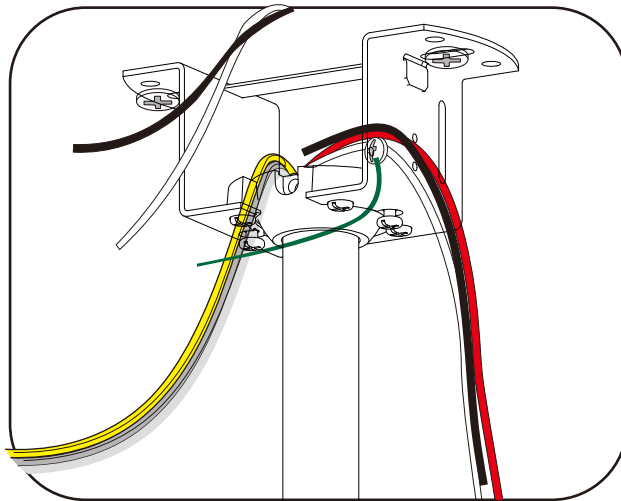
Wiring Ana Mounting

- 7.** Hang the downrod onto the mounting base, make sure it fits the groove, then insert the controller into the slot of the mounting bracket, make sure the wires are not twisted or bent.

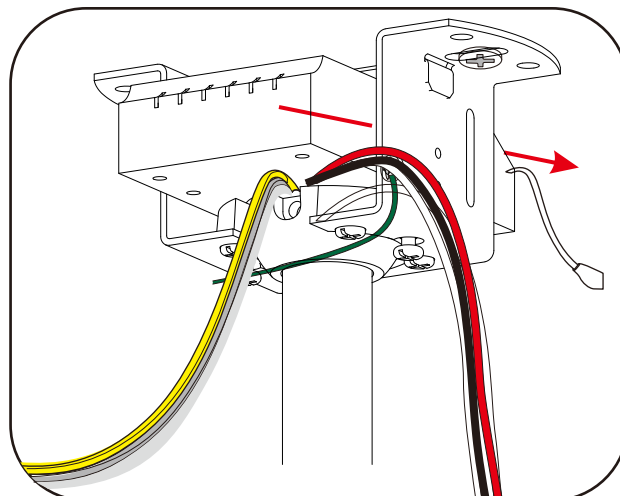
Align the convex groove with the concave groove.



- 1** Put the semi - spherical ball into the support.



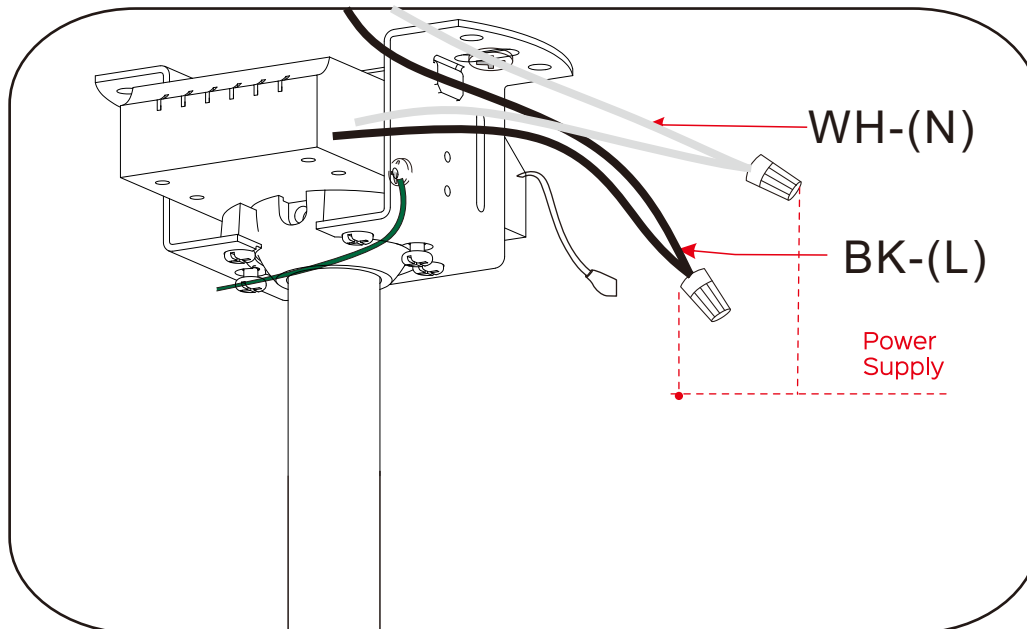
- 2** The completed effect



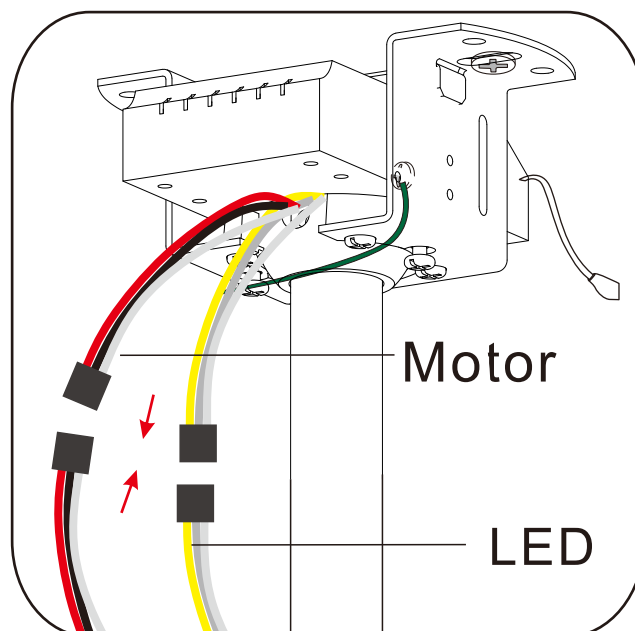
- 3** Insert the controller into the hanging plate.

Wiring Ana Mounting

7. Circuit connection



- 1 .Use wire nuts to connect connect the thick Black wire to the live wire,thickWhite to the neutral wire of the mains power cord.Connect the Greenground wire

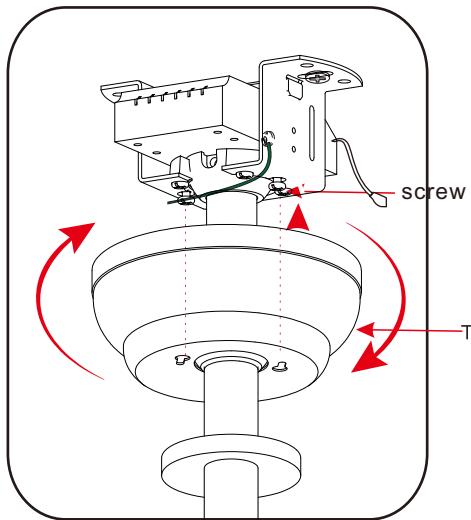


The colors of the lines are the same

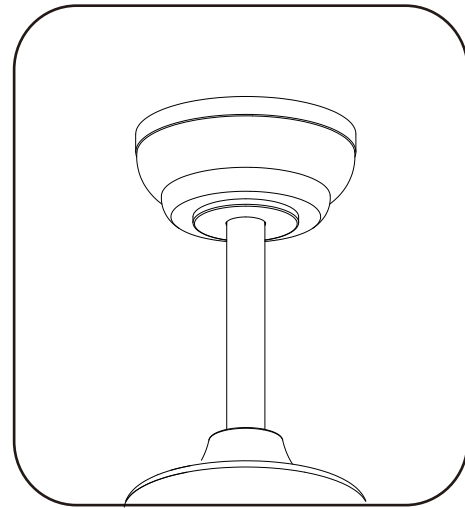
- 2 .Connect the fan motor and light connectors to the sockets of the controller.

Wiring Ana Mounting

8. Install the ceiling-mounted plate

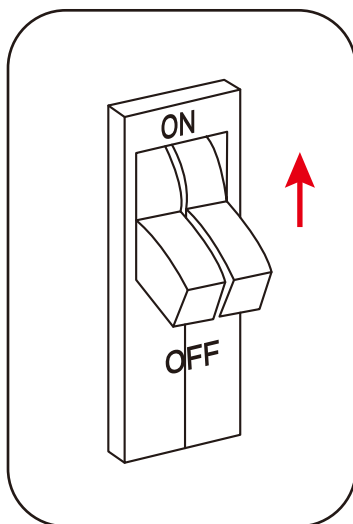


1 Rotate the ceiling - mounted plate

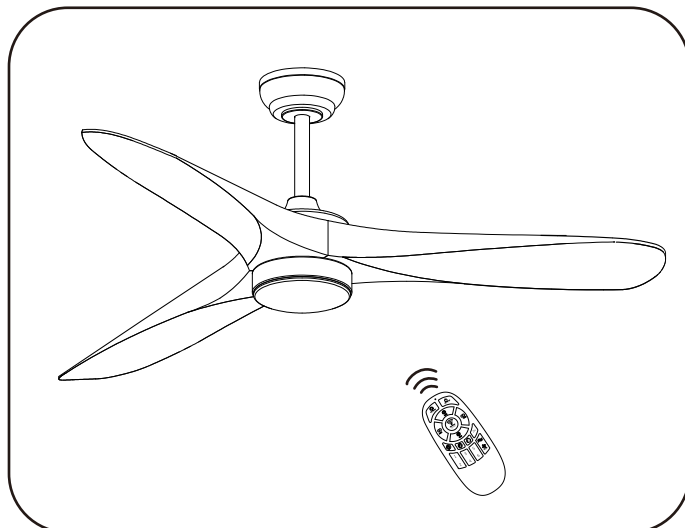


2 Close the ceiling - mounted plate

9. Installation end



1 ON switch

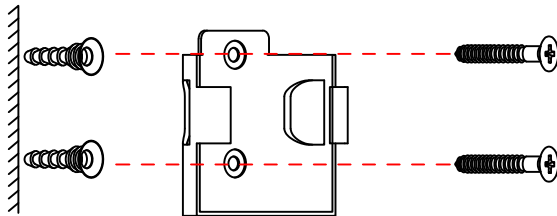
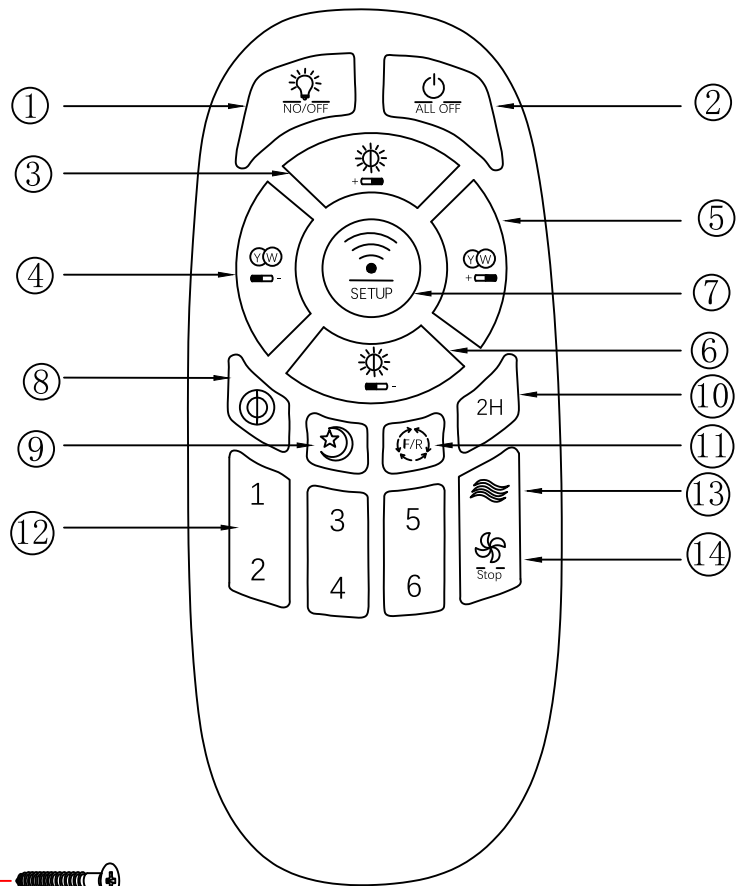


2 The installation is complete!

Remote Control

Remote Control Use Guide

- ①: Turn on/off the light
- ②: All off
- ③⑥: Brightness adjustment
- ④⑤: Color temperature adjustment
- ⑦: Remote control pairing
- ⑧: Color temperature switching
- ⑨: Night light
- ⑩: 2H fan timing
- ⑪: Fan forward/reverse rotation
- ⑫: Fan adjusting gear 1-6
- ⑬: Natural wind mode
- ⑭: Turn off the fan



The remote control bracket can be mounted on the wall using two expansion rubber screws for easy later use.

How to programmed the remote?

- 1, Turn on the wall switch.
- 2, Press and hold the 'SETUP Pairing button' for 3 seconds.
- 3, And look at the LED Light,if the LED light flashes 3-4 times, pairing is successful. now you can use the remote to control the fan light.

Maintenance & Repair

Care and Maintenance:

- Turn off power before cleaning or performing maintenance.
- dust the fan blades to maintain optimal performance.
- Check and clean the light fixture periodically.

Troubleshooting:

If the fan does not start:

1. Check if electricity is turned on at the fuse or circuit breaker.
2. Make sure the wall controller is "ON" and do not use a dimmer.
2. Check all electrical connections to ensure proper electrical connections are made.

If the fan sounds noisy:

1. Make sure all motor housing screws are tight.
2. Make sure the screws that attach the fan blades to the motor are tight.
in place.
4. Allow a 24-hour "breaking-in" period. Most noises associated with a new fan disappear during this time.
3. Make sure the screws securing the light are tight. Make sure the light shade is fixed securely

If the fan wobbles:

1. Make sure that the semi-circular ball of the upper end of down rod is clamped in the groove gap of the hanger without loosening.
2. To check if the two screws at the lower end of the downrod tightly locked
3. Check that all blade screws are secure.
4. Most fan wobbling problems are caused by blades unlevel. To check if all blades are at one level by measuring the distance to the ceiling from the tip of each blade.
5. Use the BLADE BALANCING KIT in the package to solve the problem of the blade not at one level.

If the light doesn't work:

1. Check the wiring between the motor and the driver, and the contact between the driver cable terminals.
 2. Check whether there are loose or disconnected wires in the fan body.
 3. Check whether the LED light source board is loose.
- NOTE: Before entering the body, make sure the body circuit is turned off.

THANK YOU FOR USING!



Install Video Via
Scan The QR
Code, Or Website
As Follow:



Model No.: HY-6257-3-52

WARRANTY

We offer 1 year limited warranty for our product, and if there is a quality issue with the product under normal use, please contact us within the warranty period for a solution. Note that accidental or intentional damage is not included in the warranty coverage.