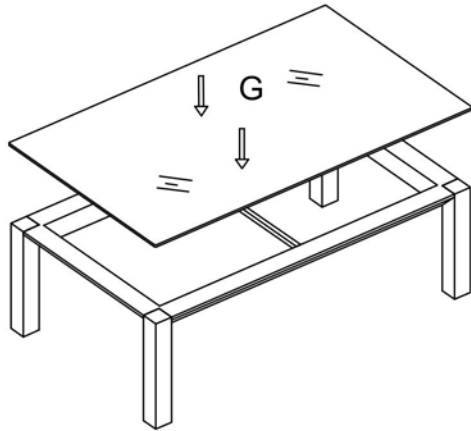


INSTRUCTION MANUAL

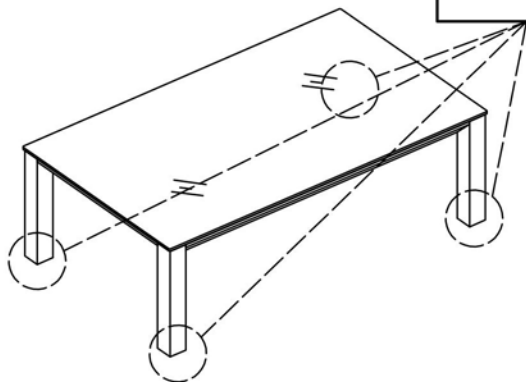
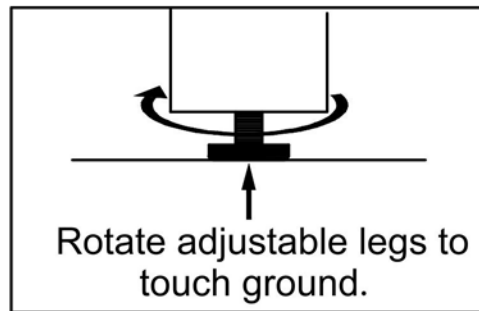
Assembly Instructions

Table

③

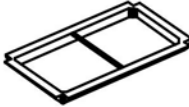
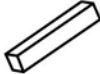




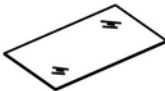


④



Assembly Instructions

Caution: You must read this before you proceed

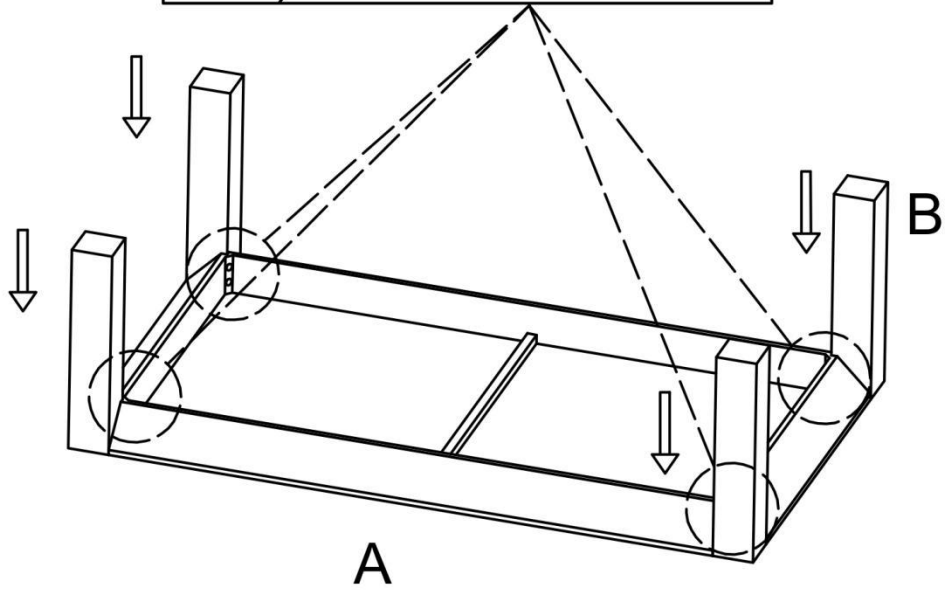
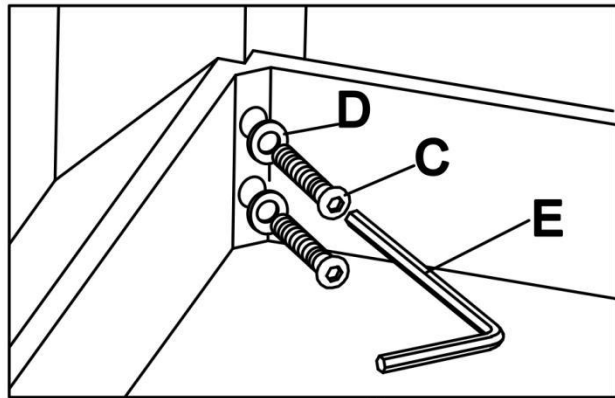
A		Table Top Frame	x 1
B		Legs	x 4
C		Bolt M8 x 35 mm	x 8
D		Washer 15 mm	x 8
E		Hex Key 5mm	x 1
F		Bolt Head Cap	x 8
G		Table Top	x 1

- ① Before assembling, please check if you have all the assembled parts on the assembly instructions.
- ② When you assemble, place all parts of the product on a thick carpet to prevent product scratches.
- ③ Tighten the screws one by one after fitting all of them in their setting, otherwise you may have troubles in fixing the product.
- ④ Easy assembly for two people.

Assembly Instructions

Table

①



Assembly Instructions

Table

②

