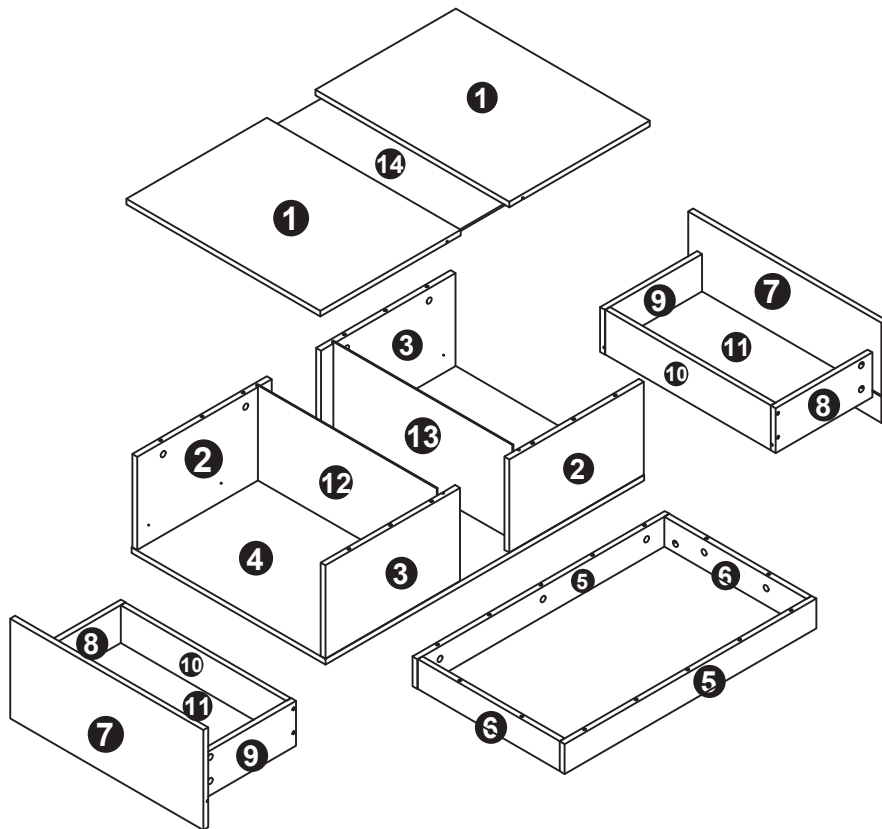
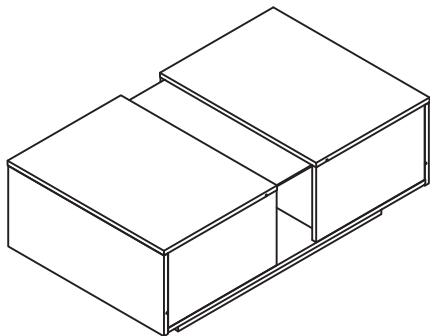


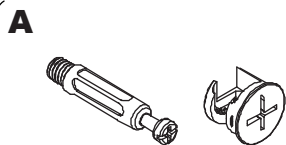
Part List



Open the package, and put the item on the mat with care. Please install it carefully to ensure your fingers will not be scratched.

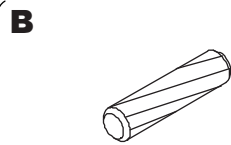


Hardware List



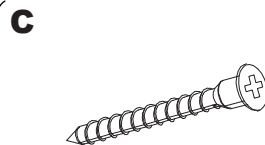
M6*40mm
φ15*12mm

×30 (+2)



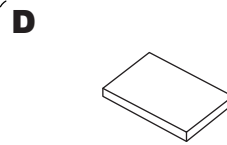
M8*30mm

×16 (+2)

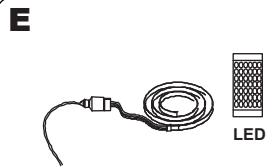


M5*40mm

×16 (+2)

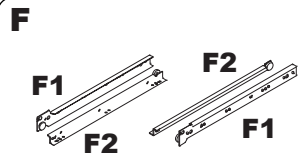


×4

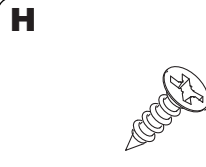


LED

×1

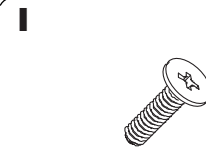


×2



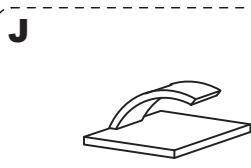
M3.5*14mm

×16 (+2)

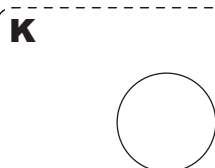


M6*15mm

×6 (+2)



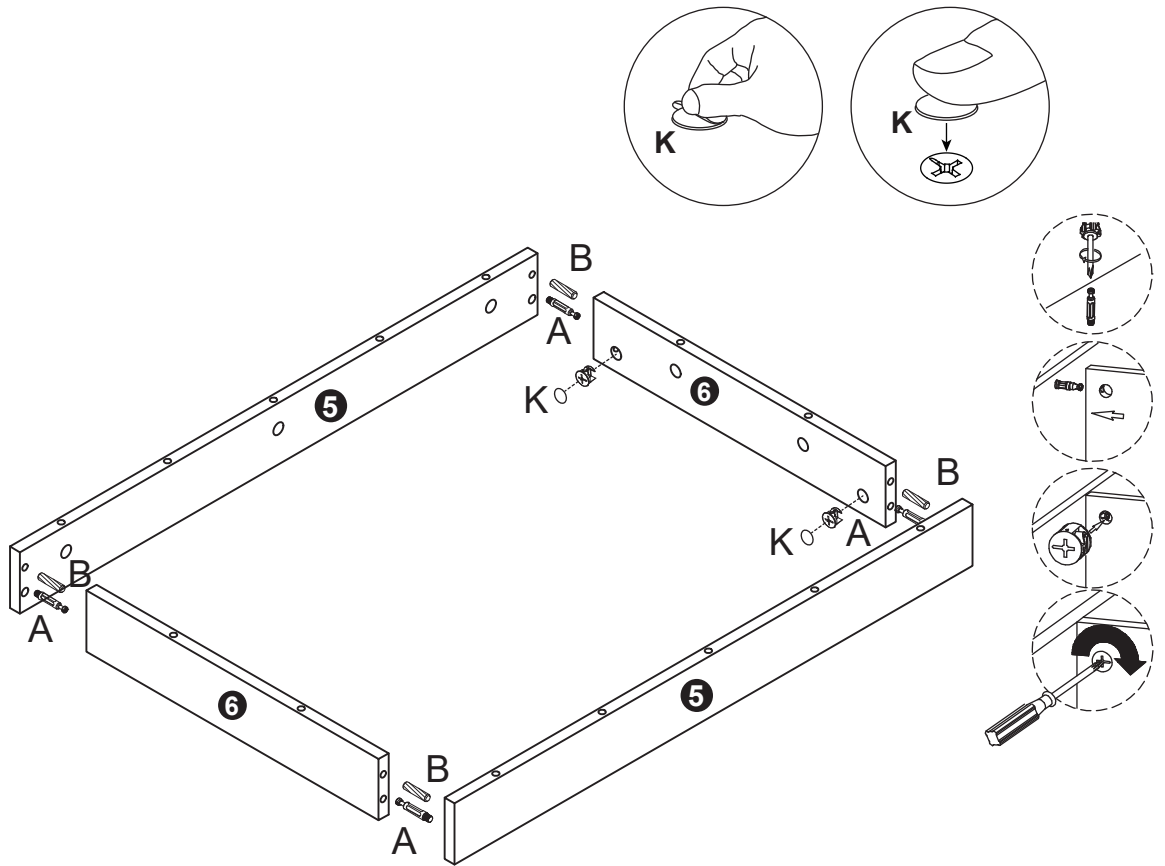
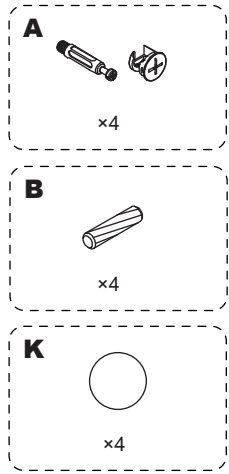
×6 (+2)



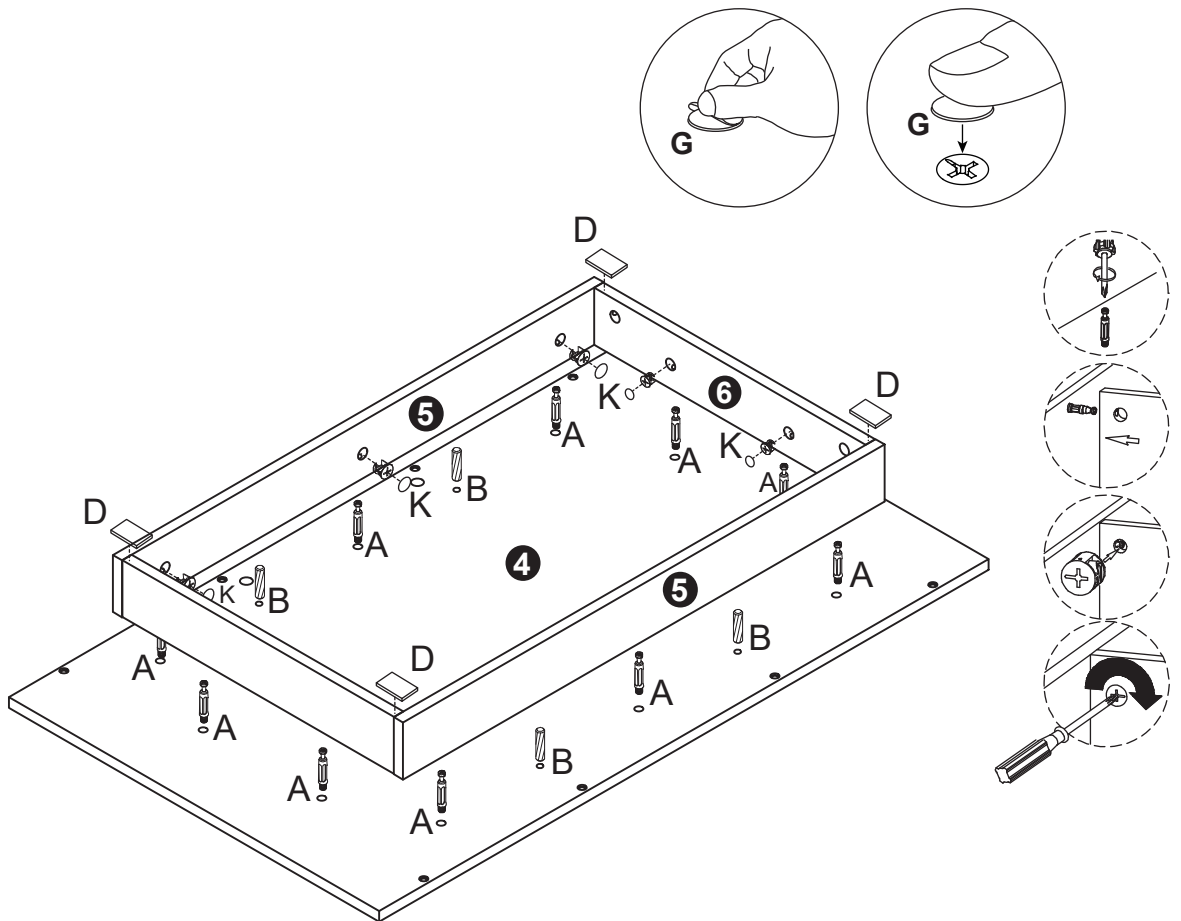
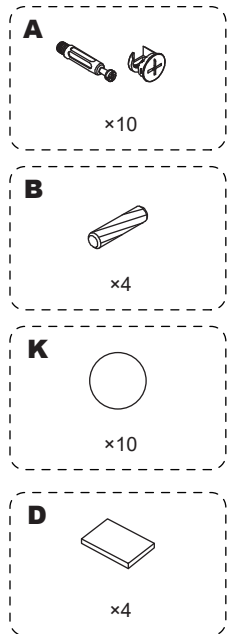
×30 (+2)

Start...

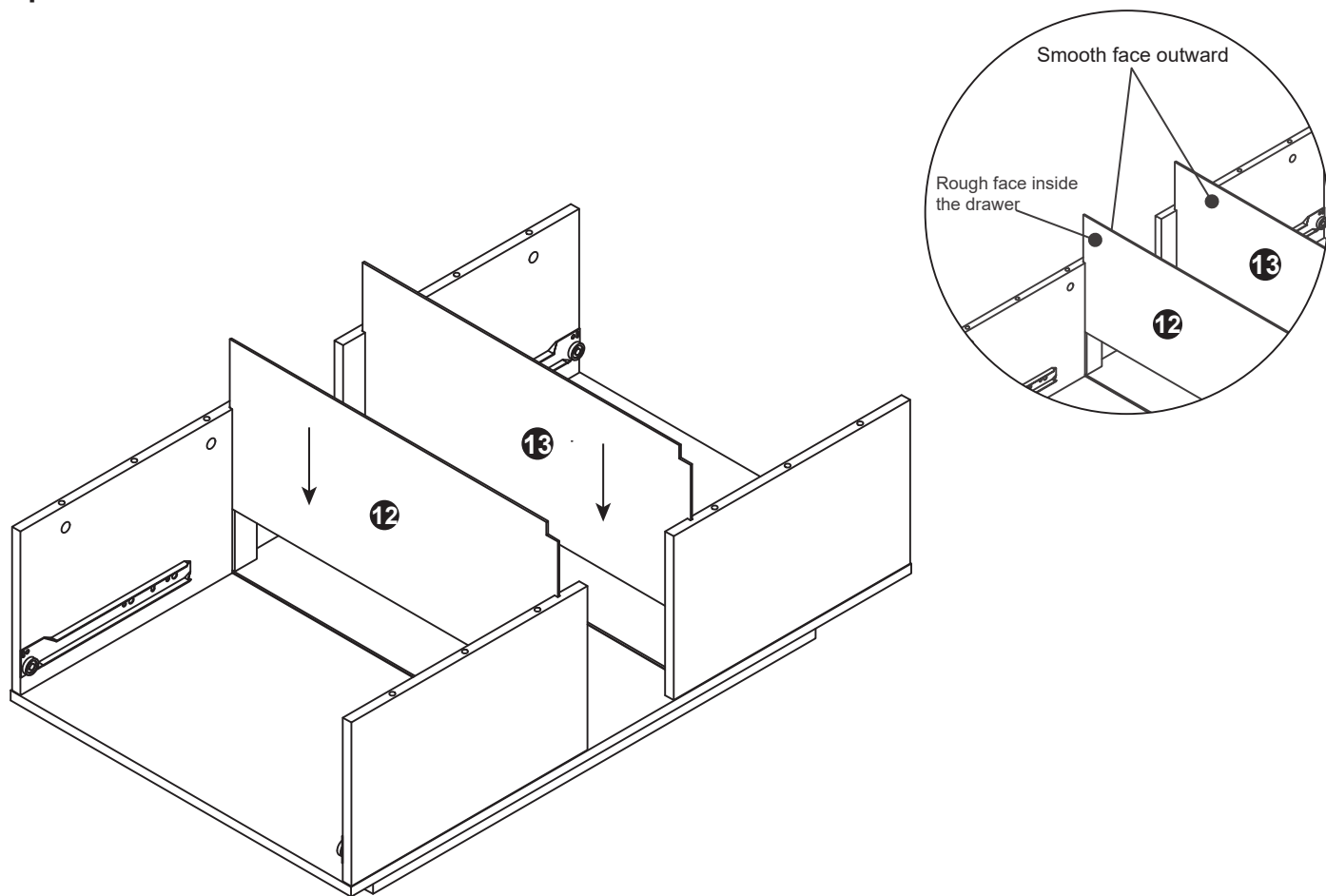
| Step1



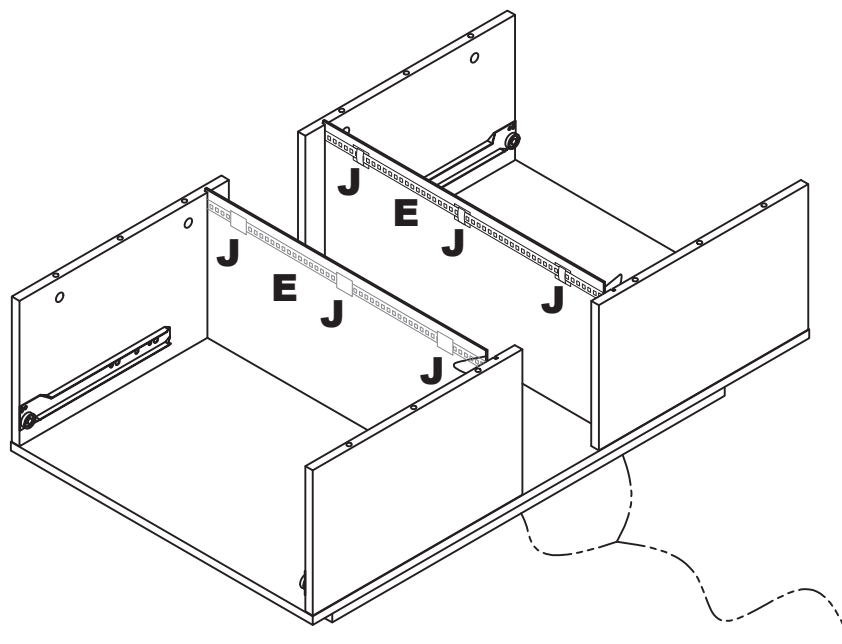
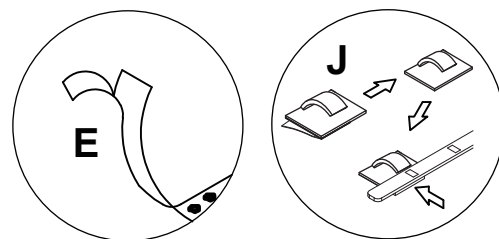
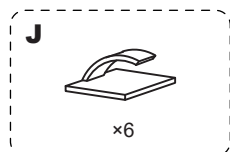
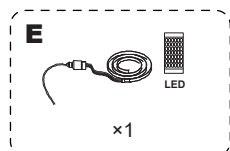
| Step2



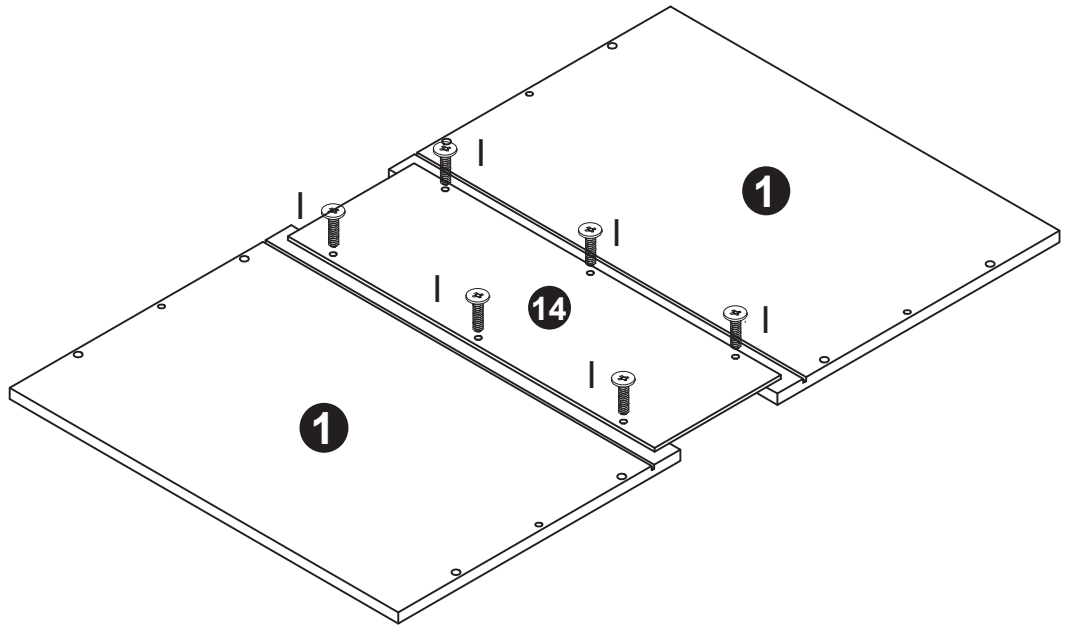
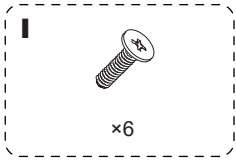
| Step5



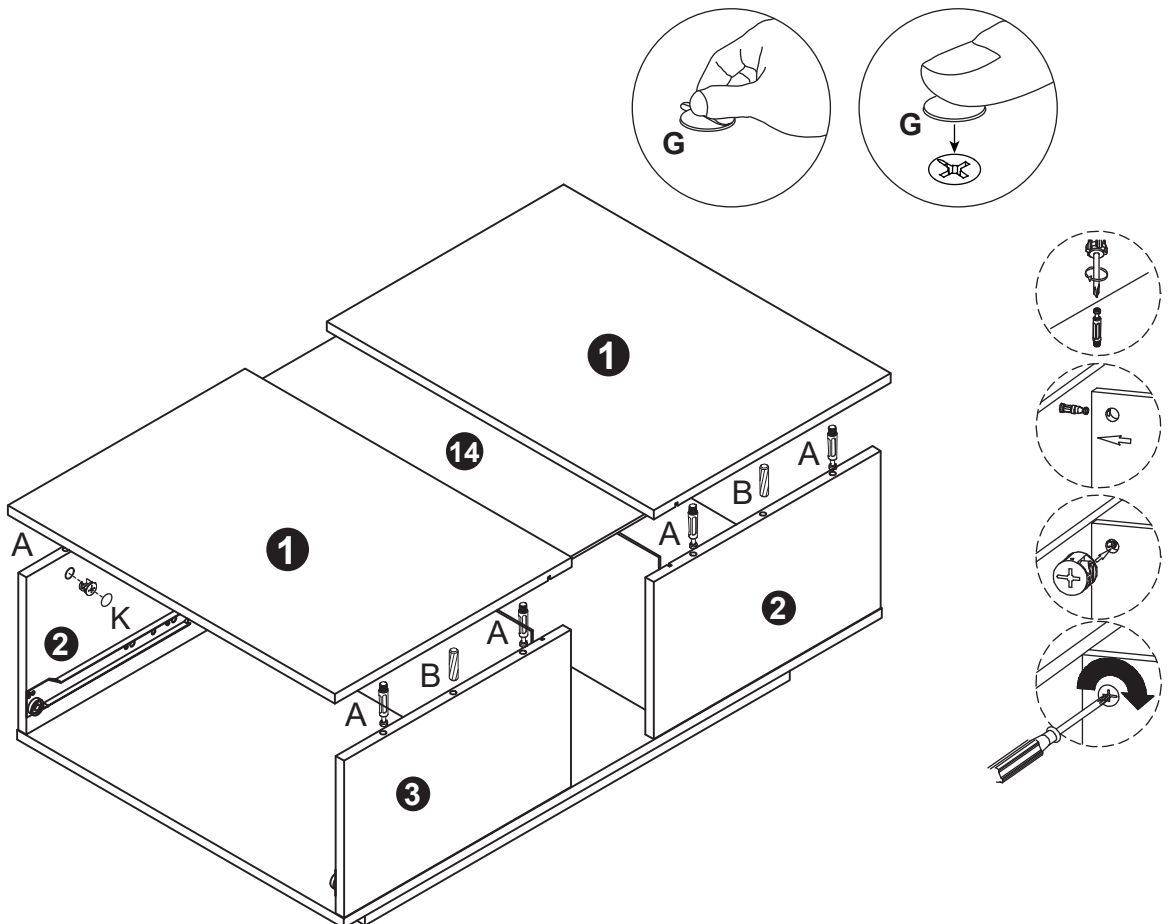
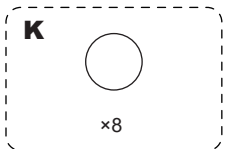
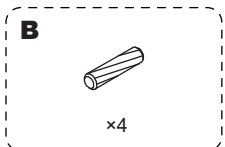
| Step6



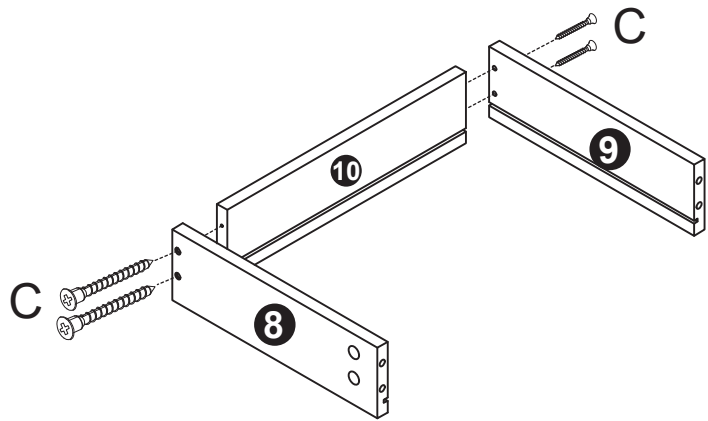
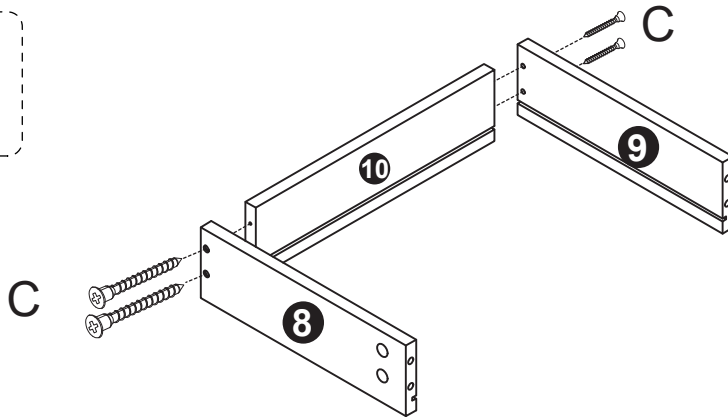
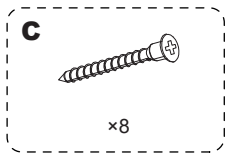
Step 7



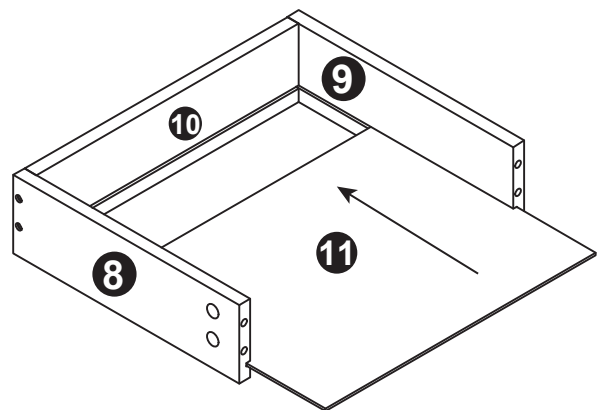
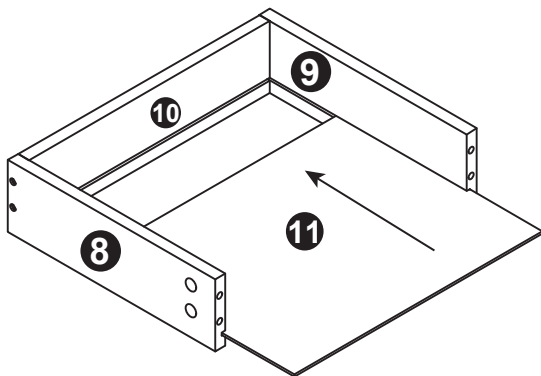
Step 8



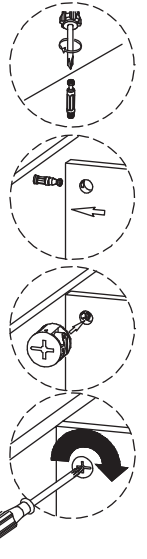
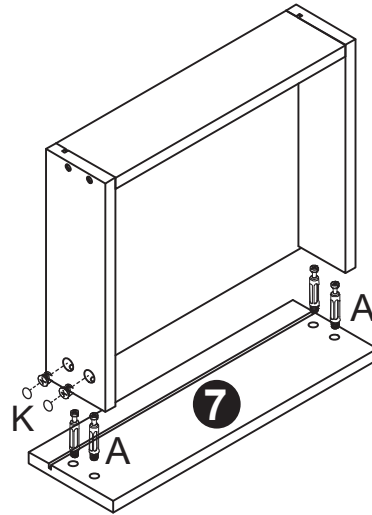
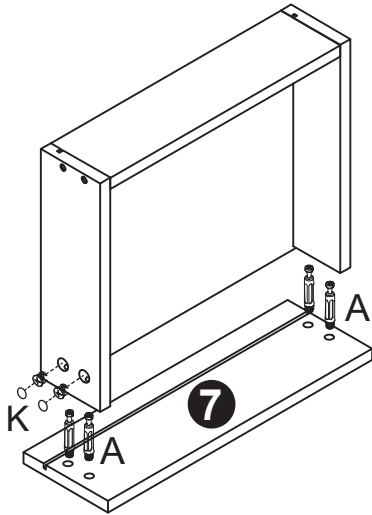
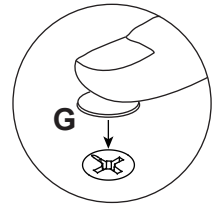
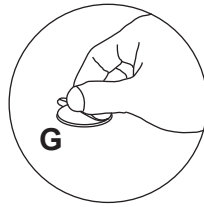
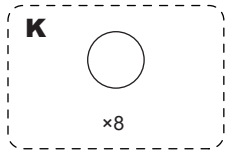
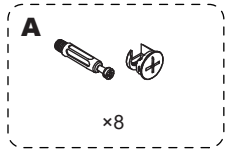
| Step9



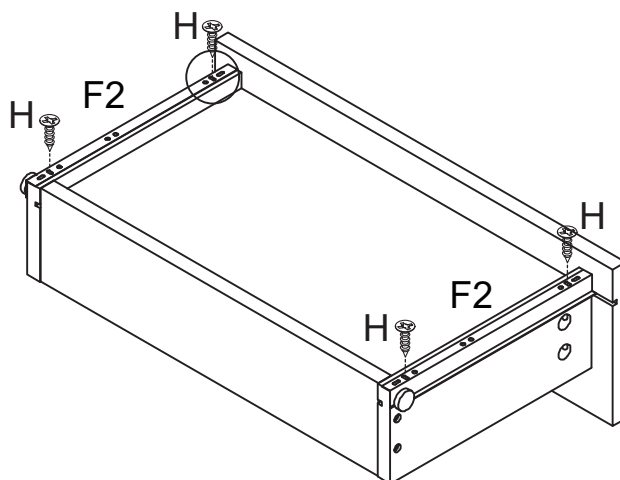
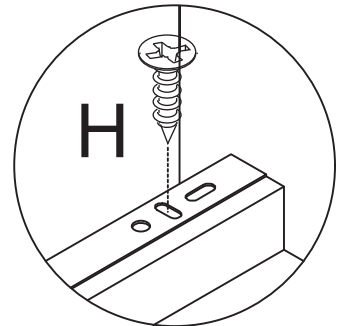
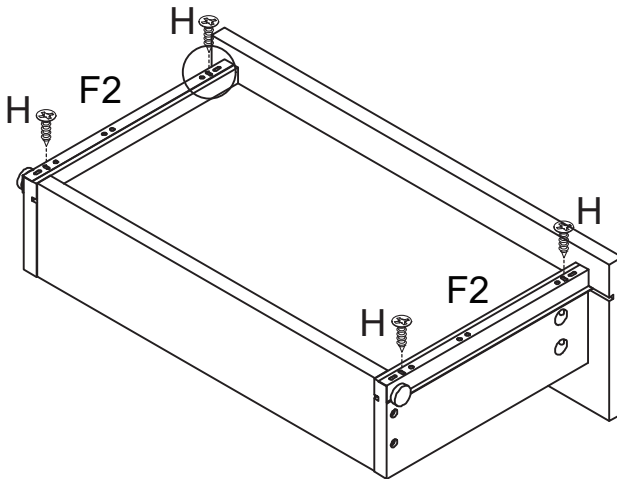
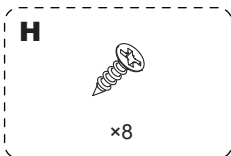
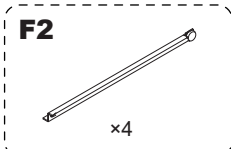
| Step10



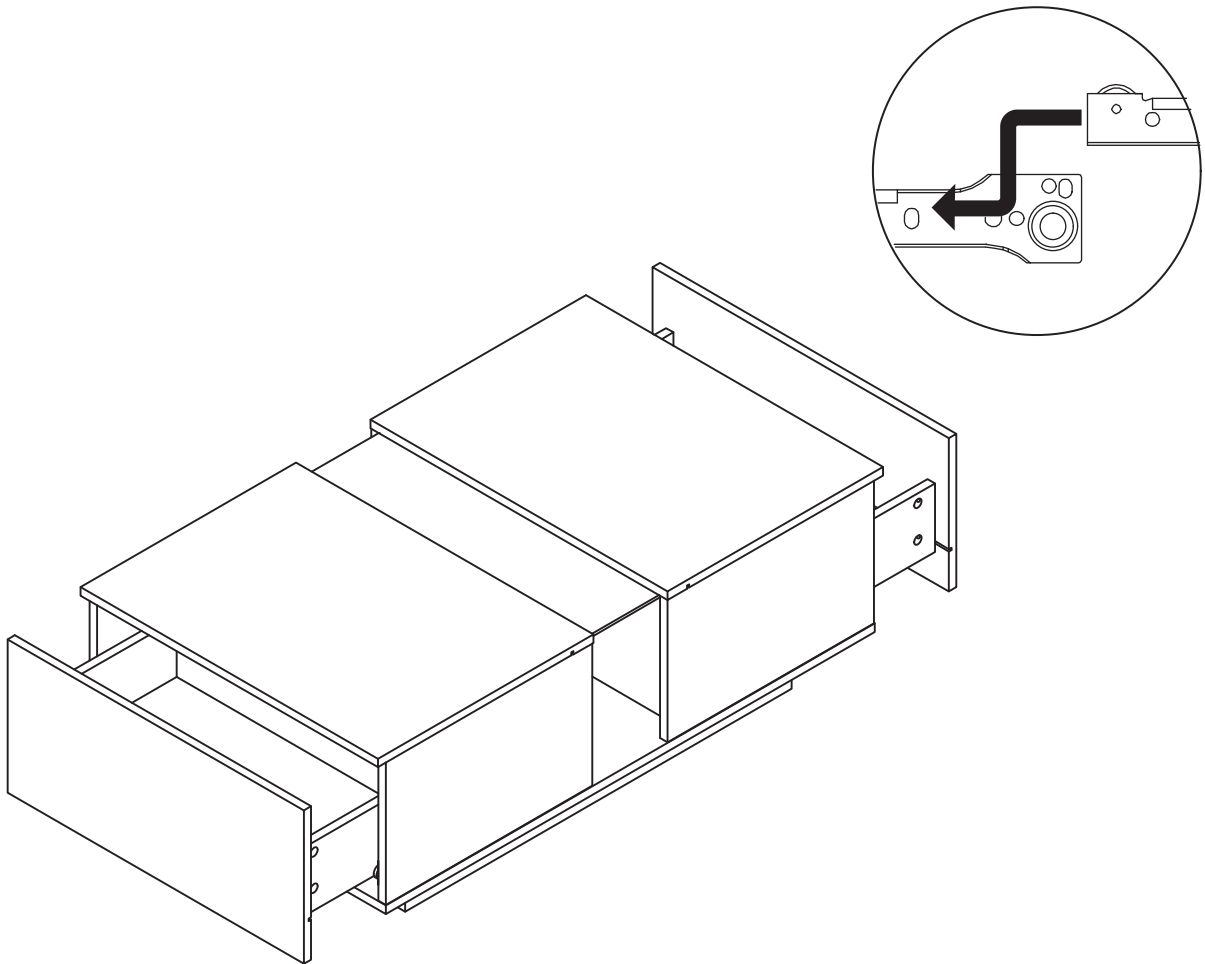
Step 11



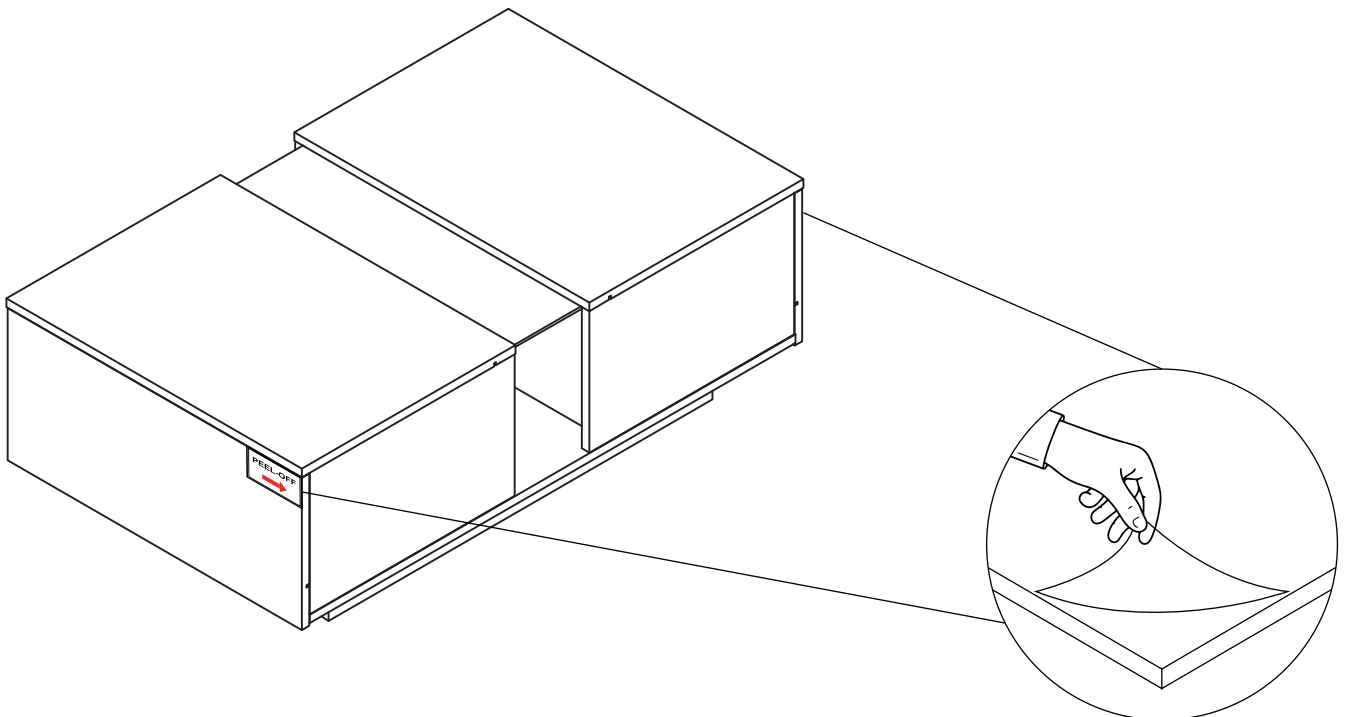
Step 12



| Step13

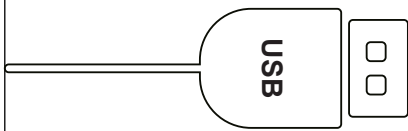


NOTES: The coffee tables of **CT07305601WH (white)** and **CT07305602BK (black)** need to follow this step to remove the film from the opposite position. **CT07305603GR (gray)** coffee table, please ignore this step.



LED LIGHTS OPERATION MANUAL

1 Power on

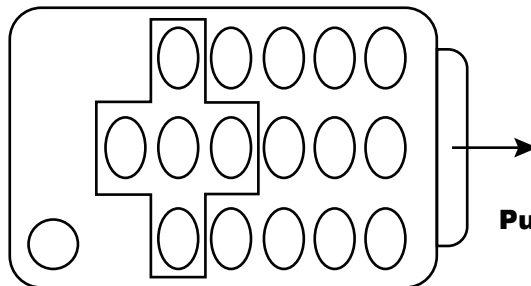


Portable Charger

Power Strip

PC Computer

2 Remove the plastic insulation at the bottom of the remote control



Pull it out

3 Light color and mode

Static red

Static orange

Static dark yellow

Static yellow

Static straw yellow

Static grean

Static pea green

Static cyan

Static light biue

Static sky blue

Static blue

Static dark biue

Static brown

Static pink

Static purple

Static white

7 colorjumpy change All fade out&fde in 7 color fade changs 3 base colorjumpy

4 Remote control

