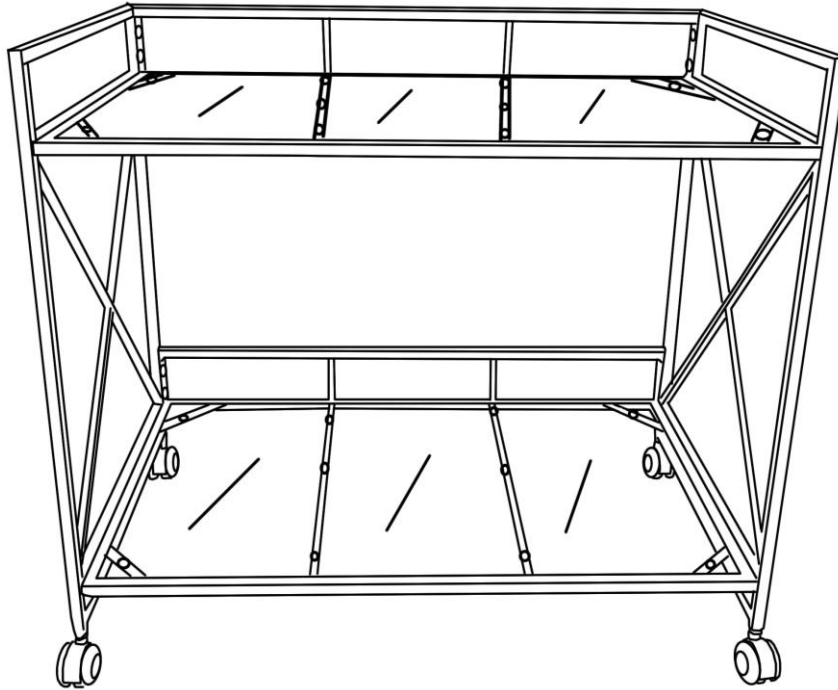


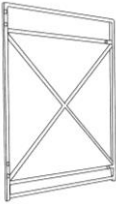
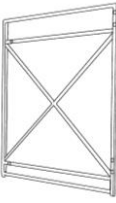
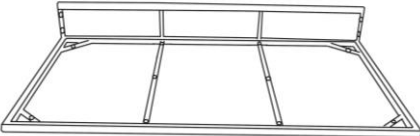
Assembly Instructions



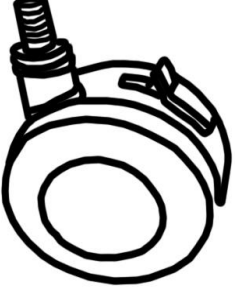
Caution: You must read this before you proceed

Bar Cart



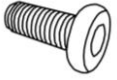
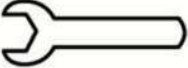



Parts List

Label	Picture	Description	QTY
A		Left Frame	1
B		Right Frame	1
C		Top&Bottom Shelf Frame	2

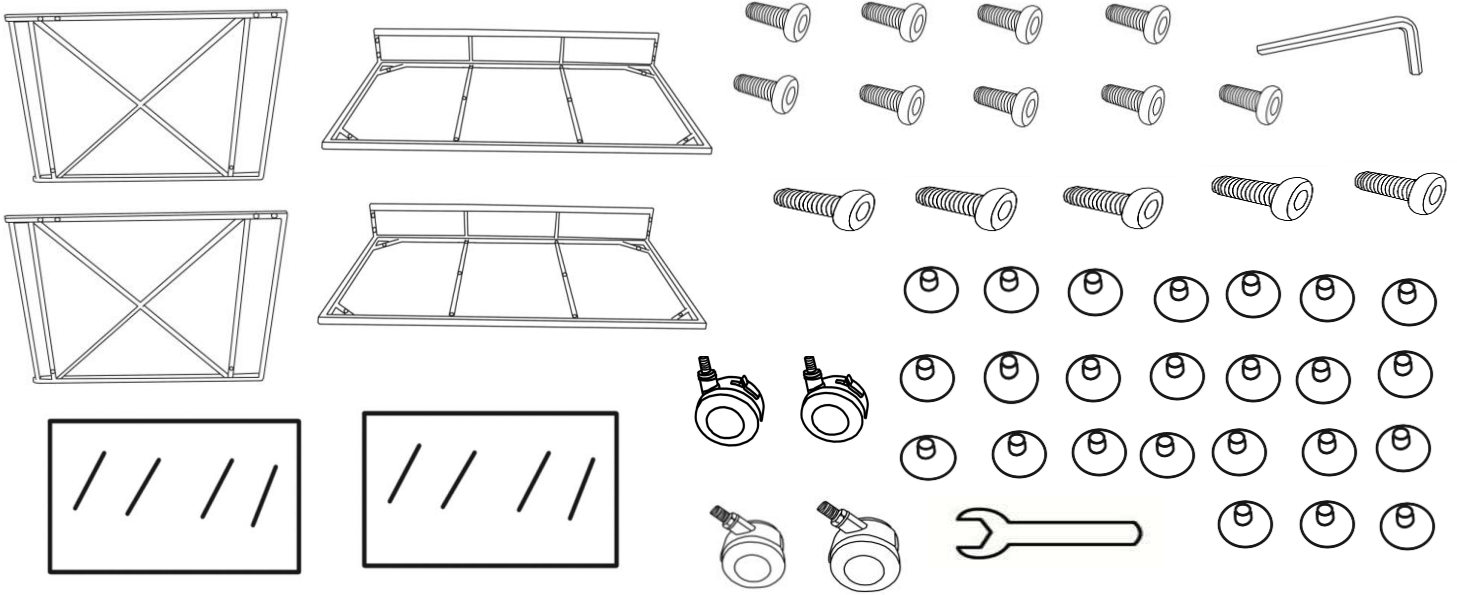
D		Top & Bottom Glass	2
E		Wheel	2
F		Wheel with Brake	2

Hardware

Label	Picture	Description	QTY
①		Allen Key (M4mm)	1
②		Bolt (M6*30MM)	5
③		Bolt (M6*15MM)	9
④		Spanner (M6)	1
⑤		Glass Suction Cup	24

Assembly Preparation

Before Beginning Assembly:



- Read instructions, cover to cover-



- Have 2 adults on hand for assembly-



- Do not assemble on flooring or carpet-



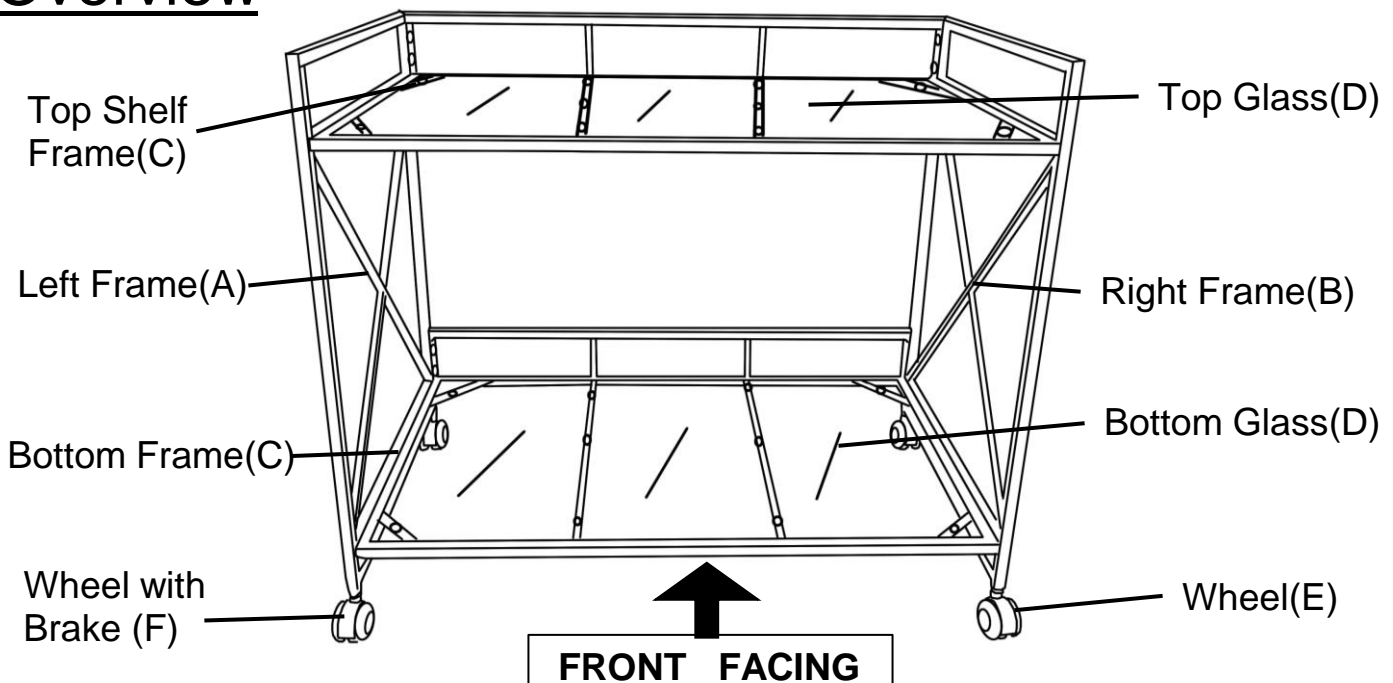
- Assemble on a clean non-marring surface (packing foam)-



- Save all packaging until finished-

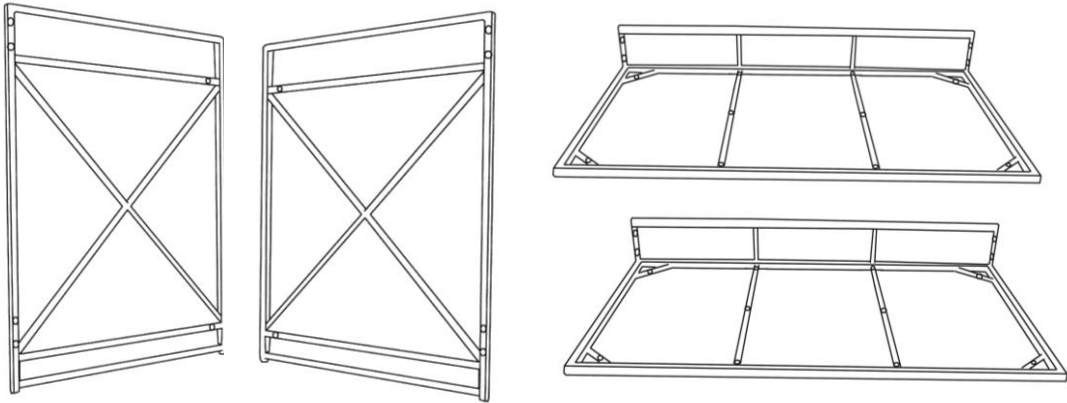
Assembly Steps

Overview



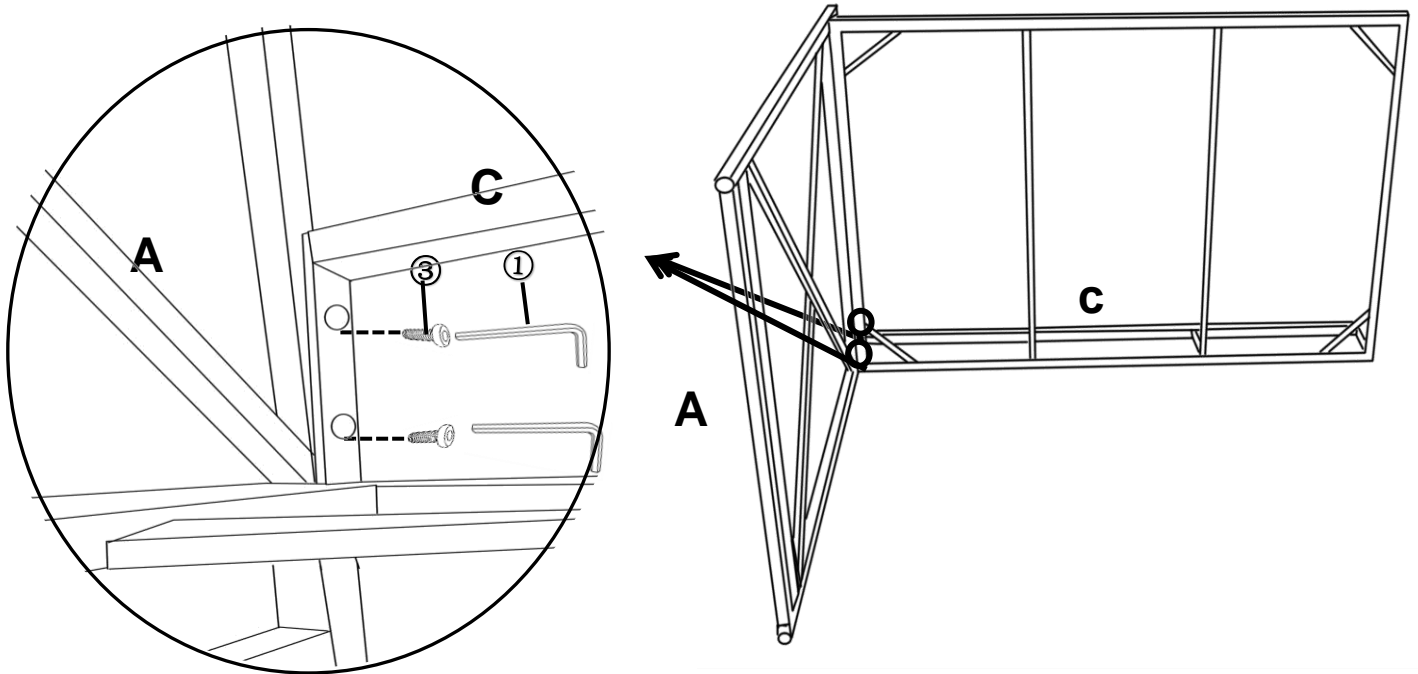
This Bar Cart has multiple parts and may require up to 30 minutes to assemble. To give you an overview of the Bar Cart parts, the above picture is to help you put the various parts into perspective. Please read through the instructions below to familiarise yourself with the parts and steps before assembly.

Step 1



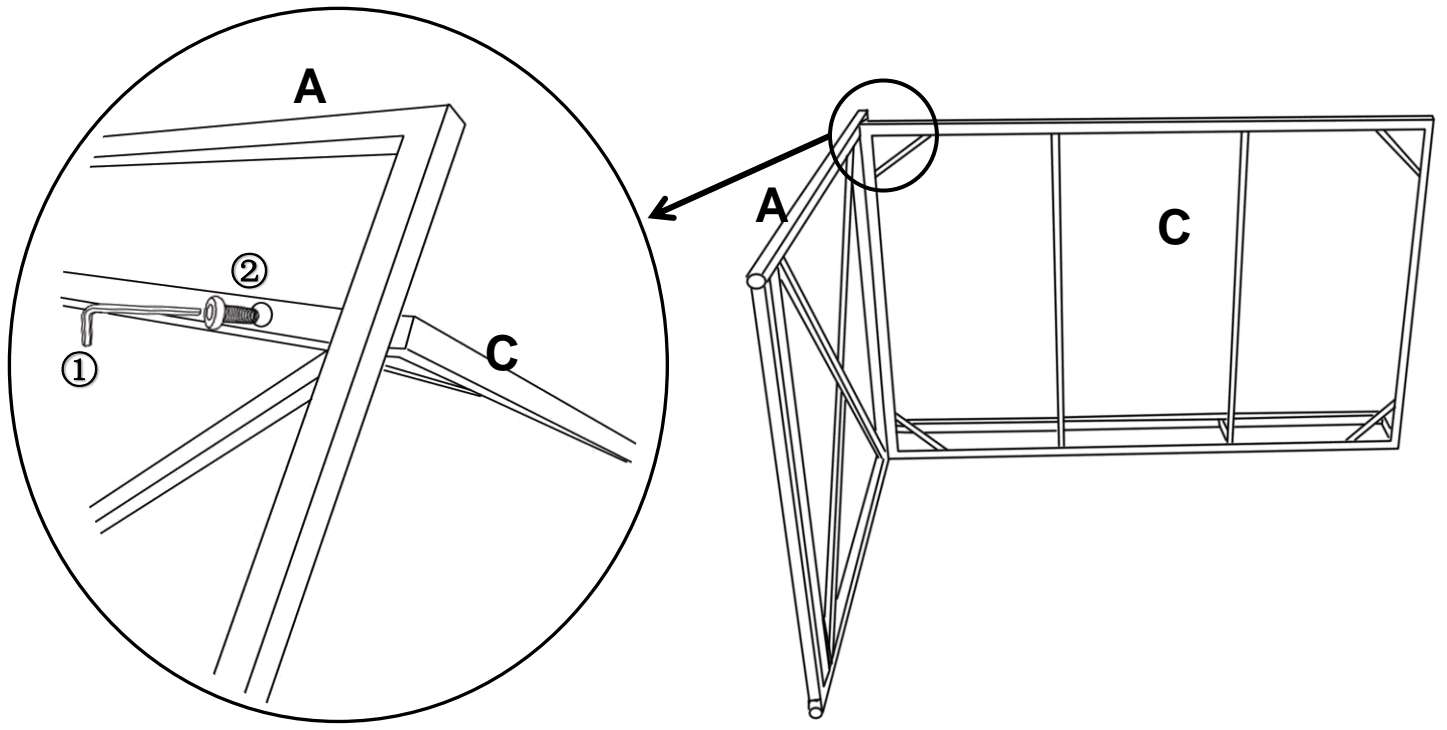
Unpack all parts and place on a clean, non-marring surface.

Step 2



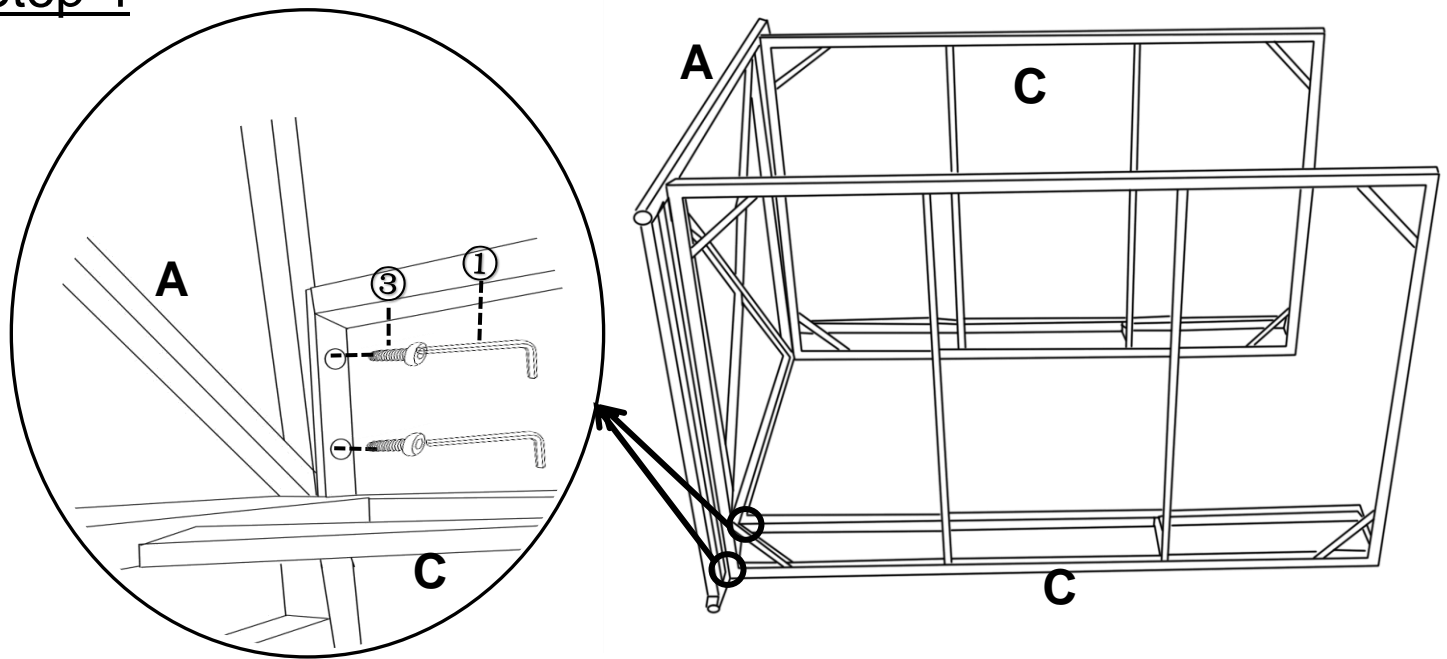
Attach Top Shelf Frame(C) to Left Frame(A) using Bolts(③) with Allen Key(①).
Do not fully tighten the Bolts.

Step 3



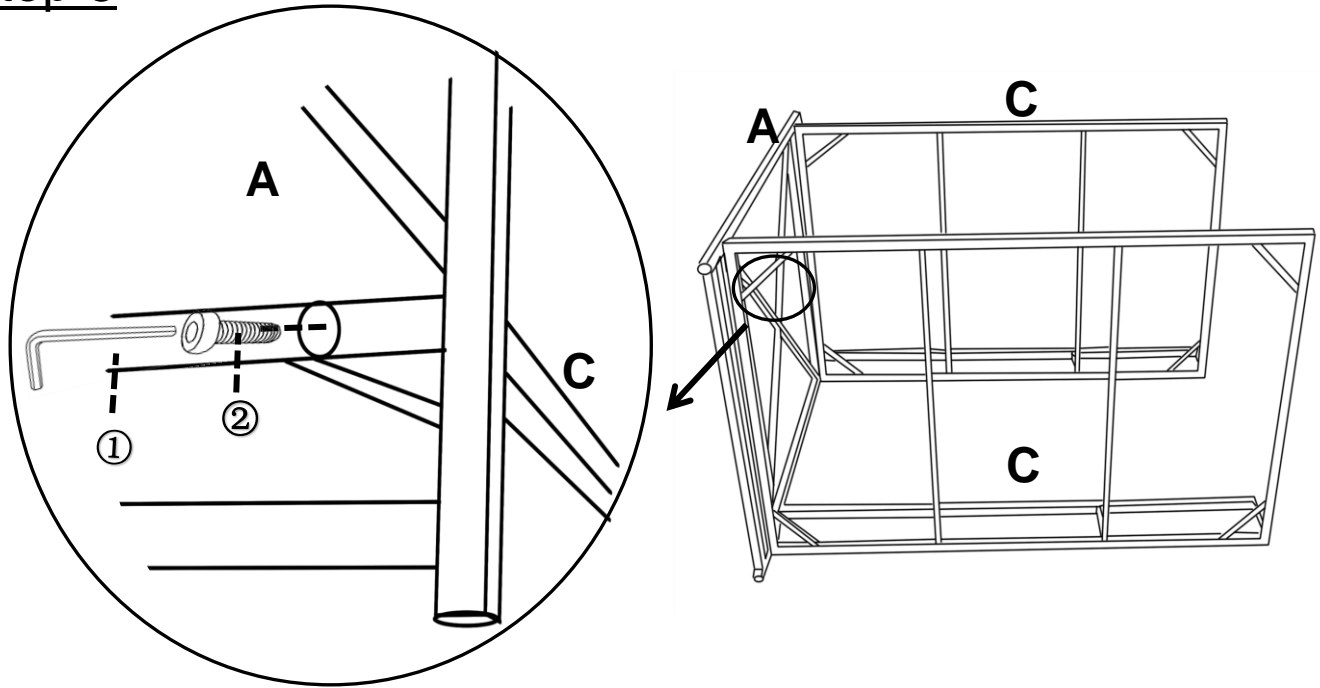
Attach Top Frame(C) to Left Frame(A) using Bolts(②) with Allen Key(①).
Do not fully tighten the Bolts.

Step 4



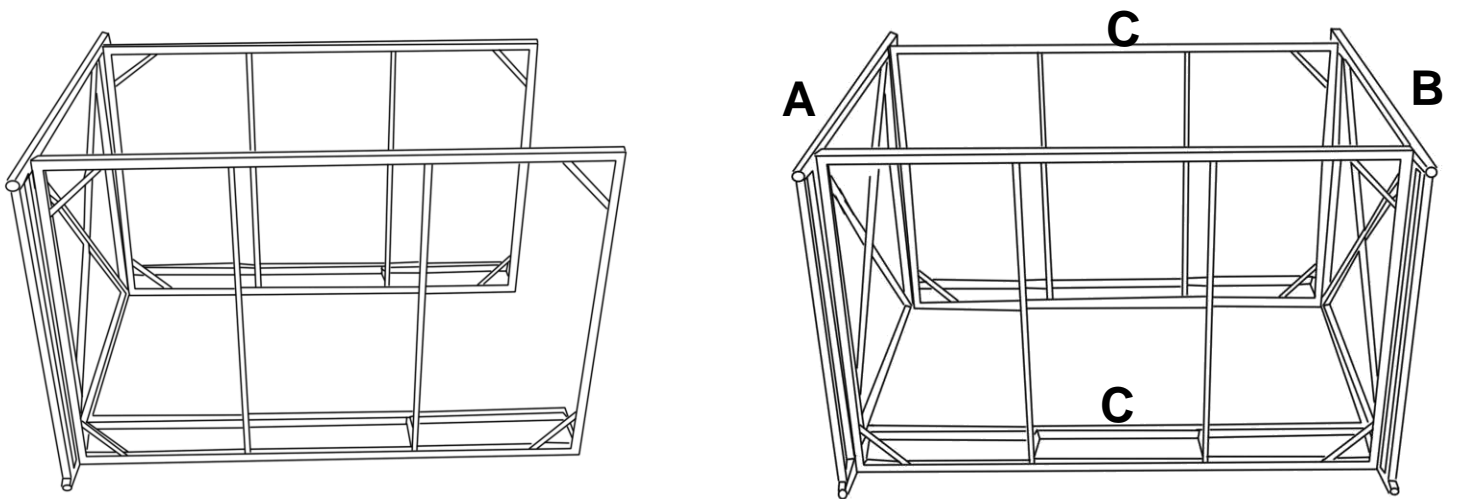
Attach Bottom Frame(C) to Left Frame(A) using Bolts(③) with Allen Key(①).
Do not fully tighten the Bolts.

Step 5



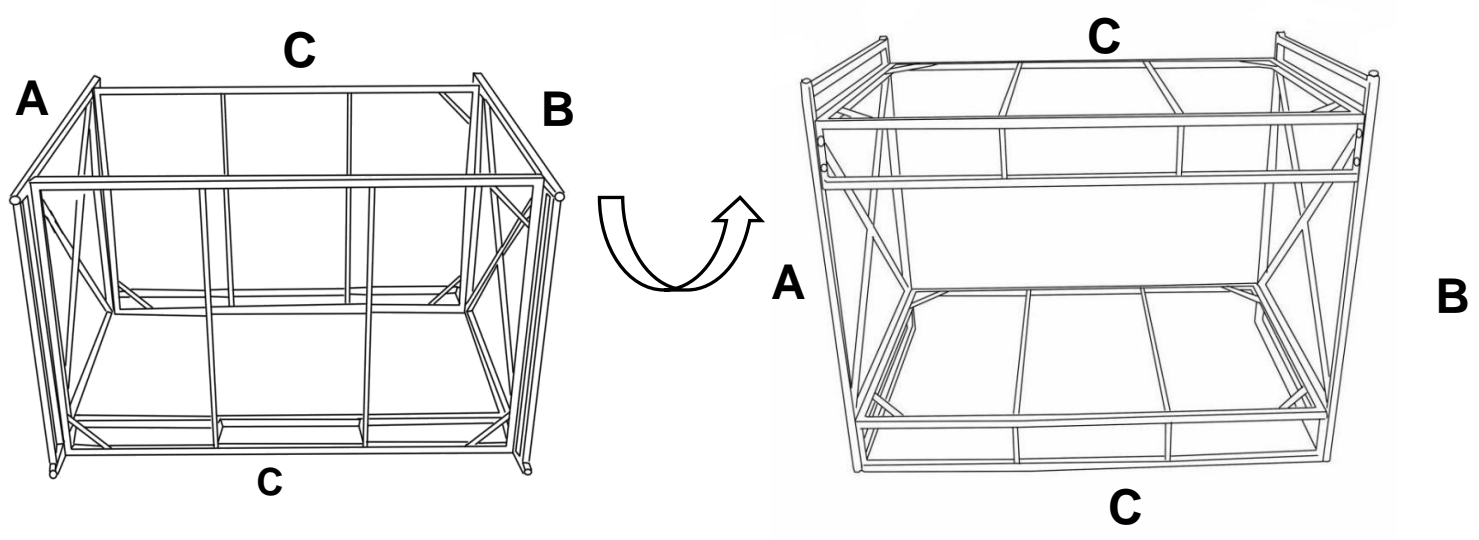
Attach Top Frame(C) to Left Frame(A) using Bolts(②) with Allen Key(①).
Do not fully tighten the Bolts.

Step 6



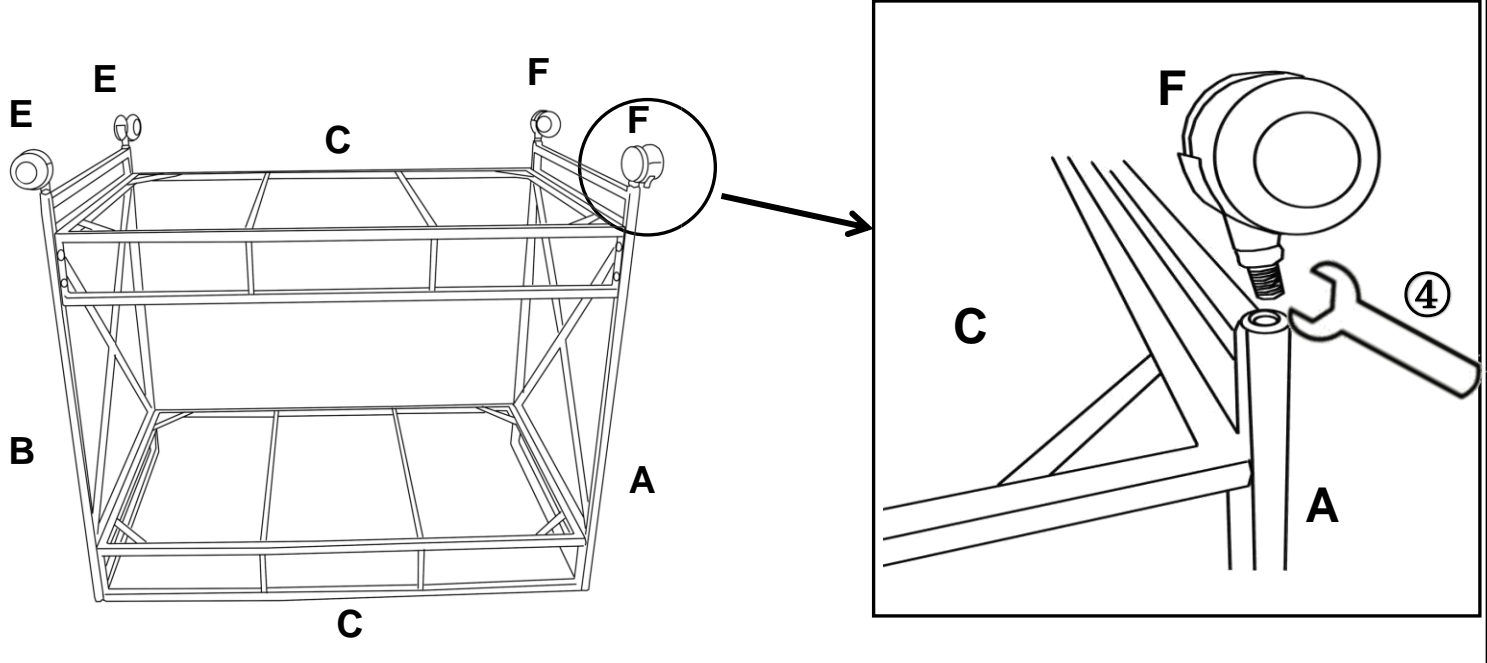
Repeat Steps 2 - 5 to assemble Right Frame(B).
Do not fully tighten the Bolts.

Step 7



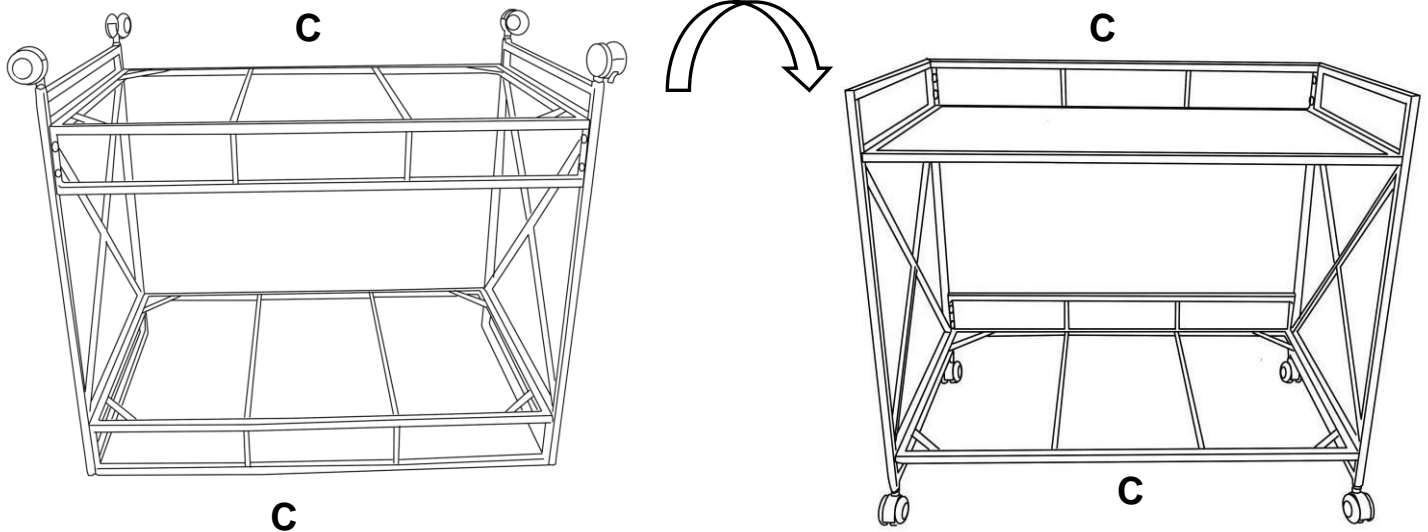
Turn the bar cart upside down, as shown.

Step 8



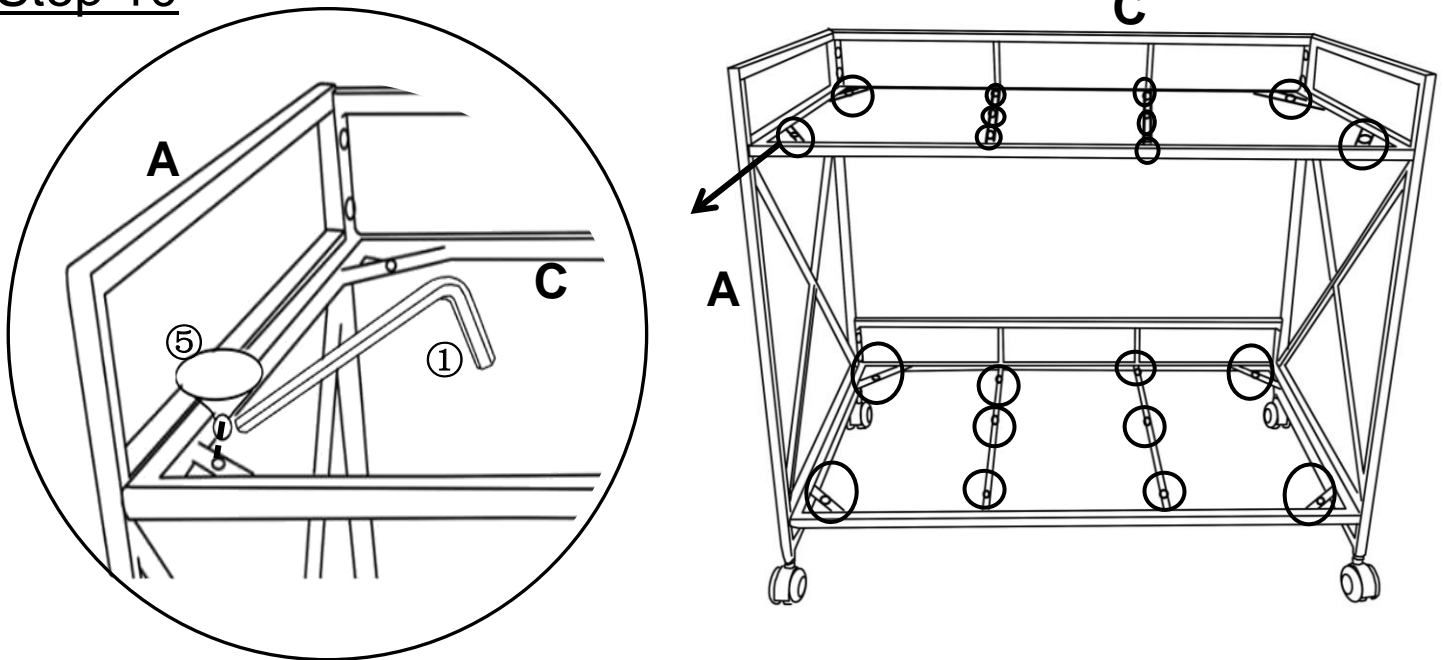
Attach Wheels with Brakes(F) to Left Frame(A) using Spanner(4).
Attach Wheels(E) to Right Frame(B) using Spanner(4).

Step 9



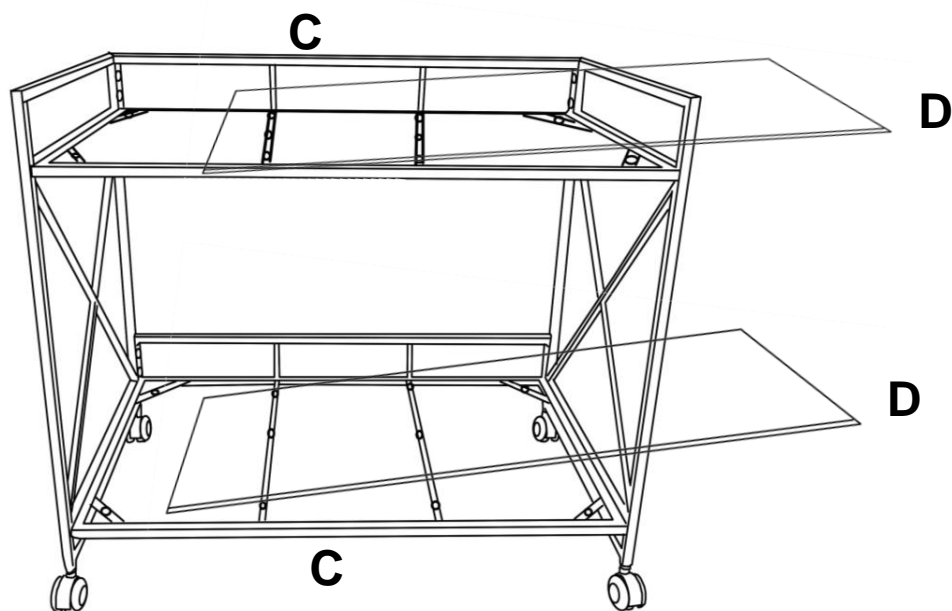
Stand the Bar Cart up, as shown.

Step 10



Attach Glass Suction Cup(5) to Top Shelf Frame(C) and Bottom Frames(C), as shown.
You can press the Glass Suction Cup(5) with Allen Key(1) if donot assemble easily .

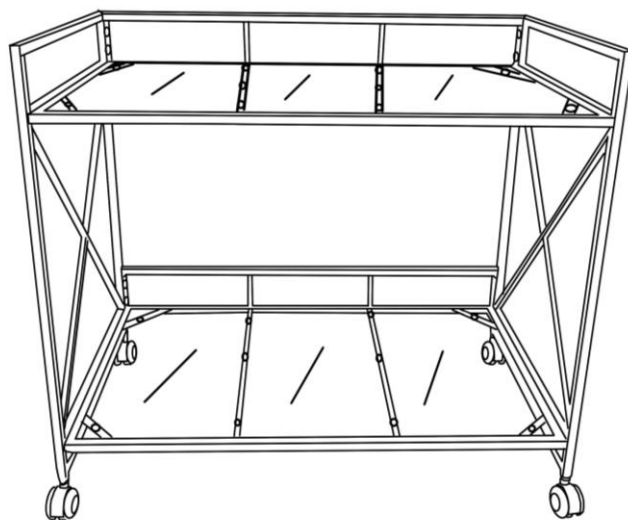
Step 11



Insert Top Glass(D) into Top Shelf Frame(C) and Bottom Glass(D) into and Bottom Frame(C) Carefully.

Remind:Gently press the glass after you put it into the frame.










Step 12



Your Bar Cart is ready for use.

This Bar Cart can only be used on a flat, level surface.

Care & Maintenance

- ⊘  • Do not put hot items directly on furniture surface.
 - ⊘  • Do not clean furniture with harsh cleansers or polish.
 - ✓  • To obtain the longest lifespan of your outdoor products, minimizing exposure to direct sunlight is recommended.
 - ⊘  • Children should not climb or jump on the furniture.
 - ⊘  • Do not write on furniture without a padded barrier to protect the surface.
 - ✓  • To obtain the longest lifespan of your outdoor products, avoid extended and lengthy exposure to rain, snow, and direct sunshine. Whenever possible cover the product and /or place under patio or awnings.
 - ⊘  • Not for commercial use. For residential use only .
 - ⊘  • Stains may be removed with mild soap solution and damp cloth.
-
- ✓  • Dust and pick-up spills using a clean, non-colored, lint-free cloth .