

comfort gear™
HEATERS FOR WORK, HOME AND PLAY!

USER'S MANUAL AND OPERATING INSTRUCTIONS



US

ANSI Z21.103-2017 Unvented portable type gas camp heaters for indoor and outdoor use

READ INSTRUCTIONS CAREFULLY: Read and follow all instructions. Place instructions in a safe place for future reference. Do not allow anyone who has not read these instructions to assemble, light, adjust or operate the heater.

PORTABLE PROPANE HEATER FOR:
RECREATIONAL, COMMERCIAL AND EMERGENCY INDOOR USE



PPH360-10



PPH360-18

"FOR US SALE EXCEPT MASSACHUSETTS"

World Marketing of America, Inc. (WMAI)
PO Box 192
Mill Creek, PA 17060

Patent Pending

PORTABLE GAS CAMP HEATER FOR OUTDOOR USE

⚠ WARNING: If the information in this manual is not followed exactly, a fire or explosion may result causing property damage, personal injury or loss of life.

- An LP cylinder not connected for use shall not be stored in the vicinity of this or any other appliance.
- **WHAT TO DO IF YOU SMELL GAS**
 1. Do not try to light appliance and make sure appliance is in the "OFF" position.
 2. Extinguish any nearby flames.
 3. Shut off the cylinder fuel supply valve, if so equipped.
 4. Disconnect the disposable fuel cylinder, if so equipped.
 5. Leave the area immediately.
 6. Allow gas to dissipate for 5 minutes.
 7. If gas smell has dissipated from the area, the appliance, and fuel supply, follow gas connection procedures. If you smell gas again, follow steps 1-6 and have appliance serviced.
- Service must be performed by a qualified service agency.

This is an unvented gas-fired portable heater. It uses air (oxygen) from the area in which it is used.

Adequate combustion and ventilation air must be provided. Refer to page 4.

CONSUMER: Retain this manual for future reference.

Questions, problems, missing parts? Before returning to your retailer, call our customer service department at 800-776-9425 8:30 a.m. – 5:00 pm EST, Monday – Friday

or email us at info@worldmkting.com

www.worldmkting.com

WMAIPPH36010K_18K_23

TABLE OF CONTENTS

Service / Parts Ordering Information 1

General Safety Instructions 2

General Information 3

Tank Installation Instructions 5

Operating with Disposable Propane Cylinders 5

Operating With Hose Connected to Remote Cylinder. 5

Lighting Operation Instructions..... 6

Maintenance 8

Troubleshooting 9

Parts List 11

Warranty..... 12

⚠️ WARNING:

Every time hose or tank is connected to unit, connection must be checked for leaks in one or more ways: Apply soapy water to connection, look for bubbles, listen for hiss of escaping gas, feel for extreme cold, smell for rotten egg odor. Do not use if leaking!

⚠️ WARNING:

Any changes to this heater or its controls can be dangerous.

⚠️ WARNING:

Early signs of carbon monoxide poisoning resemble the flu, with headache, dizziness and/or nausea. If you have these signs, heater may not be working properly.
Get fresh air at once! Have heater serviced.

⚠️ WARNING:

Some people-pregnant women, persons with heart or lung disease, anemia, those under the influence of alcohol, those at high altitudes - are more affected by carbon monoxide than others.

⚠️ WARNING:

Improper installation, adjustment, alteration, service or maintenance can cause injury or property damage. Refer to this manual. For assistance or additional information, consult a qualified installer, service agency or the gas supplier.

⚠️ WARNING:

This product and the fuels used to operate this product (liquid propane), and the products of combustion of such fuels, can expose you to chemicals including benzene, which is known to the State of California to cause cancer and reproductive harm. **For more information go to www.p65Warnings.ca.gov**

⚠️ DANGER



CARBON MONOXIDE HAZARD
This appliance can produce carbon monoxide which has no odor.
Using it in an enclosed space can kill you.
Never use this appliance in an enclosed space such as a camper, tent, car or home.

FOR YOUR SAFETY

Do not store or use gasoline or other flammable vapors and liquids in the vicinity of this or any other appliance.

NEVER LEAVE THE HEATER UNATTENDED WHILE BURNING!

WARNING:

If the recreational or commercial enclosure does not have a window or roof vent that is open, DO NOT USE THIS HEATER inside.

FOR US ONLY EXCEPT MASSACHUSETTS

This heater is safe for indoor use in small recreational enclosures, having means for providing combustion air and ventilation, such as enclosed porches, cabins, fishing huts, trailers, tent trailers, tents, truck caps and vans. It may be used for emergency indoor heating when connected to a disposable 1 lb. propane cylinder and for indoor use in commercial enclosures, having means for providing combustion air and ventilation, such as construction trailers or temporary work enclosures. Do not operate heater in any moving vehicle. This heater can also be used in a recreational or commercial enclosure with a window or roof vent. It may also be used outdoors. This heater requires a vent area of 18 square inches (example 4 1/4" x 4 1/4" opening) minimum for adequate ventilation during operation. Do not use other fuel burning appliances inside.

GENERAL INFORMATION:

- When the heater is cold or at room temperature, it will take a few minutes for the burner to turn bright orange. This is normal and the heater is working properly. Also, during the initial lighting, the oil used during manufacturing process needs to burn off. This can take up to 60 minutes of continuous burning. Some odor and yellow flames may occur during this time but will diminish after the burn-in period.
- It is recommended not to use the heater in windy conditions. The heater may flutter reducing the effectiveness of the appliance and could have excessive pilot outages.
- When operating the heater at altitudes over 7,000 FT. above sea level, the unit may not burn as bright as in lower altitudes. This is normal. At higher altitudes, the heater may shut-off. If this happens, provide fresh air, wait 5 minutes and re-light. Due to local atmospheric conditions heater may not re-light.
- When moving heater when lit or bumping heater setting it down, tip over switch may shut off heater. If this happens, re-light.
- Operating time will vary depending on the heater setting and the supply cylinder size. See chart and "Cold Weather Operations" section.
- **NOTE: This HEATER MAY BE OPERATED WITH (1) DISPOSABLE 1 LB. PROPANE CYLINDERS OR WITH (1) REMOTE REFILLABLE PROPANE CYLINDER MAX. 20 LBS USING BOTH (1) WMAI # 20-7512F 12' Extension Hose and (1) WMAI Model # 20-7512F Fuel Filter (Sold Separately)**

COLD WEATHER OPERATION:

- Cold weather is generally defined as ambient temperatures below 32 degrees F.
- 1 lb. propane cylinders have difficulty producing sufficient gas at lower temperatures and can "freeze-up", reducing the time of operation by as much as 50-70%. For this reason, it is recommended to use only 20 lb. propane tanks under these conditions.
- If a 1 lb. tank is used in cold weather, such as in an ice fishing hut, following are some operating suggestions;
 1. Expect operating times to be significantly reduced.
 2. Never set the heater directly on the ice. Set the heater on a rigid piece of flame retardant insulation and make sure the ventilation slots on the bottom of the heater are not obstructed.
 3. Elevate the heater slightly above the ground level. Insure the unit is level and secure and cannot be knocked over.
 4. Keep the tank access door open. This provides some additional heat to warm the 1 lb. cylinder.
 5. Adequate ventilation and combustion air must be provided.
 6. Maintain all clearances as specified on Page 4.



Carefully watch the Heater for signs of the 1 lb. cylinder "freezing-up". If the lower portion of the burner starts to turn from orange to blue and begins sputtering, immediately shut off the heater and remove it from any enclosure.

**NEVER LEAVE THE HEATER
UNATTENDED WHILE BURNING!**

MODEL NO.....PPH360-10 / PPH360-18
 GAS TYPEPROPANE
 INPUT BTU/HR.PPH10 Series - 5,500 - 10,000
 INPUT BTU/HR.PPH18 Series - 18K, 9K, and 4K
 MAX. SUPPLY PRESSURE.....BOTTLE PRESSURE
 CLEARANCE TO COMBUSTIBLES (FROM EDGE OF GUARD)
 TOP30 inches
 FRONT24 inches
 SIDES6 inches
 REAR0 inches

CAUTION:

- Some linoleum surfaces may discolor if heater is placed directly on these floor coverings.
- When operating the heater at altitudes over 7,000 FT above sea level the heater may shut off. (Please read the GENERAL INFORMATION)
- Minimum environmental temperature -4° F (-20° C) for safe storage and operation of the appliance.

Cylinder Size	Operating Time PPH360-10	Operating Time PPH360-18
One 1 lb. cylinder	2.7 hrs (high) - 3.2 hrs (low)	NOT RECOMMENDED
Two 1 lb. cylinders	N/A	2.4 hrs (H) 4.7 hrs (M) 10.7 hrs (L)
One 20 lb. cylinder	45 hrs (high) - 58 hrs (low)	24 hrs (H), 48 hrs (M), 108 hrs (L)

GENERAL SAFETY INSTRUCTIONS

THIS IS A HEATING APPLIANCE. DO NOT OPERATE THIS APPLIANCE WITHOUT THE WIRE GUARD INSTALLED. DO NOT ATTEMPT TO WARM OR COOK FOOD ON THIS HEATER.

- Do not use non-approved attachments on this heater.
- **Due to high temperatures, the appliance should be located out of traffic and away from combustible materials.**
- **Children and adults should be alerted to the hazard of high surface temperatures and should stay away to avoid burns or clothing ignition.**
- **Young children should be carefully supervised when they are near the appliance.**
- **Do not place clothing or other flammable material on or near the appliance.**
- GAS PRESSURE AT HEATER IS REGULATED AND FIXED AT 11" W.C. WHEN USING A REMOTE HOSE CONNECTION TO HEATER REGULATOR(S), DO NOT REGULATE OR REDUCE PROPANE TANK SUPPLY PRESSURE TO HEATER.
- REGULATOR(S) IN HEATER MUST ALWAYS BE IN PLACE DURING OPERATION.
- **Any safety screen or guard removed for servicing the appliance must be replaced prior to operating the heater.**
- **The appliance should be inspected before each use. Frequent cleaning may be required. The control compartments, burner(s) and circulating air passageways of the appliance must be kept clean, see MAINTENANCE.**
- DO NOT use this heater if any part has been under water. Immediately call a qualified service technician to inspect the heater and to replace any part of the control system and any gas control, which has been under water.
- When used without adequate combustion and ventilation air, this heater may give off excessive CARBON MONOXIDE, an odorless, poisonous gas.
- Some people - pregnant women, persons with heart or lung disease, anemia, those under the influence of alcohol, those at high altitudes - are more affected by carbon monoxide than others.
- Cylinders must be disconnected when the heater is not in use.
- When the heater is placed on the ground, make sure the ground is level and keep any objects at least 15" from the edge of the heater. THIS HEATER IS EQUIPPED WITH A TIP OVER SWITCH THAT WILL SHUT THE HEATER OFF IF THE HEATER TIPS OVER. HOWEVER, DO NOT LEAVE THIS APPLIANCE UNATTENDED WHILE IT IS IN OPERATION. KEEP CHILDREN AND PETS AWAY FROM THE APPLIANCE AT ALL TIMES. NEVER OPERATE THE HEATER WHILE SLEEPING!
- Keep remote 20 lb. refillable cylinders at least 8 ft. away from heater at all times.

NEVER LEAVE THE HEATER UNATTENDED WHILE BURNING!

TANK INSTALLATION INSTRUCTIONS

Tank Installation for DOT Certified 1 lb. Propane Cylinder(s) (Fig. 1)

- Open easy access tank compartment door(s).
- Locate regulator and swivel it upward by hand to provide better access for cylinder
- Attach cylinder(s) to swivel mount by gently turning clockwise until it is hand tight. Do not overtighten. Do not use tools to tighten.
- Check for gas leaks by using a 50% soap-water solution at the joint of the regulator and cylinder.
- The LP-gas cylinder(s) must be constructed and marked in accordance with the specifications for *Cylinders, Spheres and Tubes for the Transportation of Dangerous Goods*, CSA B339;
- We recommend using the WMAI 20 lb. tank connection kit model# 20-7512F, which includes (1) 12' extension hose and (1) fuel filter (sold separately).
- Disconnect the disposable fuel cylinder when the unit is not being used.
- 1 lb. cylinders must be Dept. of Transportation (DOT) constructed and approved and have an outlet connection compatible with a CGA 600 fitting.

Tank Installation for 20 lb. Propane Cylinder (Fig. 1a)

- Open easy access tank compartment door.
- Locate regulator and swivel it upward by hand to provide better access for hose end adapter.
- Attach Fuel Filter, Model 20-7512F, to swivel mount by gently turning clockwise until it is hand tight. Do not over tighten. Do not use tools to tighten.
- Attach WMAI hose end adapter (No. 20-7512F) to fuel filter by gently turning clockwise until it is hand tight. Do not overtighten. Do not use tools to tighten.
- Check for gas leaks by using a 50% soap-water solution at the joint of the regulator and hose end adapter.

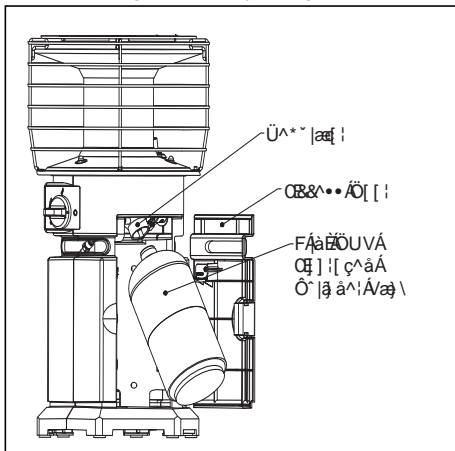


Fig. 1 - 1 lb. Cylinder Tank Installation

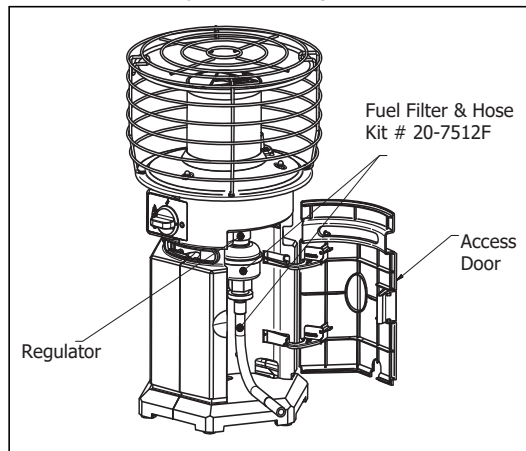
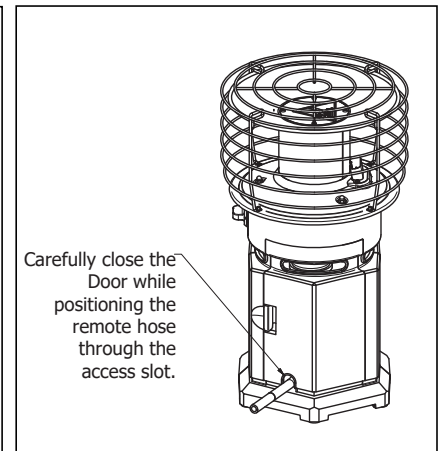


Fig. 1a - Remote Tank Installation



ADDITIONAL INFORMATION REGARDING OPTIONAL ACCESSORIES TO CONNECT A 20 LB LP TANK

- Please note: this heater may be operated with (1) remote refillable propane cylinder max. 20 Lbs.
- Any CSA certified hose with a CGA 600 fitting and excess flow device, that is appropriate for this application, may be used to connect a 20 lb. propane tank.
- Non-certified or handmade hoses and adapters may not be used to connect a 20 lb. propane tank.
- The use of a fuel filter is also recommended but not mandatory. The fuel filter can reduce potential contaminants from the 20 lb. LP tank/hose and extend the life of the heater.
- We recommend using the WMAI 20 lb. tank connection kit model# 20-7512F, which includes (1) 12' extension hose and (1) fuel filter (sold separately).

FOR US ONLY EXCEPT MASSACHUSETTS

EMERGENCY INDOOR USE

Adequate combustion and ventilation air must be provided when the appliance is in use. Refer to General Safety Instructions on Page 4 for additional information. Only disposable 1 lb. cylinders, marked as PROPANE can be used with this heater. NEVER bring a refillable propane cylinder indoors. A fire or explosion can occur causing property damage, serious injury, or death.

**NEVER LEAVE THE HEATER
UNATTENDED WHILE BURNING!**

LIGHTING, OPERATION, AND SHUTDOWN INSTRUCTIONS

1. Make sure the control knob is in the OFF position. "O"
2. Open the access door and install the propane fuel source;
 - a. Install a DOT certified 1 lb. propane cylinder.
 - b. Install the WMAI hose connector model # 20-7512F. Check for gas leaks by using a 50% soap-water solution at the joint of the regulator and cylinder.
3. Depress and turn the control knob to the pilot position "🔥".
 - a. **If fueled by a 1 lb. propane cylinder, hold for 30 seconds.**
 - b. **If fueled by a 20 lb. propane cylinder, hold for 4-5 minutes.**
 Push and turn knob back to the off position. From the OFF "O" position, push and turn counter clockwise to the PILOT position. "🔥". The Igniter will spark each time this step is performed. Repeat until the pilot flame lights.
4. Continue holding the knob down in the PILOT position for **30 seconds or until pilot flame holds.**
5. Release the knob. The knob should return to the fully extended position and the pilot should remain lit.
6. Turn on the burner by depressing the knob slightly and gently turn the knob to the HI position "🔥".
7. Adjust heat output by turning the knob between HI and LOW position "🔥".
8. To shut down the heater turn the knob clockwise to the OFF position and remove the gas cylinder or close the propane tank shut off valve and allow the heater to burn off the gas in the hose, then turn the heater knob to the OFF position.

⚠️ CAUTION

Do not try to adjust heating levels by using the propane tank shutoff valve. After turning heater off the guard will remain hot. Allow the heater to cool down before storing the heater.

Do not operate, store, connect or remove cylinder/hose connection near flammable items or ignition sources.

Do not expose this heater to any flammable vapors or liquids during the lighting process.

LIGHTING / OPERATING INSTRUCTIONS FOR USE WITH HOSE(S) CONNECTED TO A REMOTE CYLINDER, MAXIMUM SIZE 20 LBS:

- WMAI Hose No. 20-7512F includes a hand-tightening tank connector and a #600 hose connector fitting.
- **⚠️ WARNING:** NEVER bring a refillable propane cylinder indoors. A fire or explosion can occur causing property damage, serious injury or death!
- Inspect the hose before each use of the heater. If there is excessive abrasion or wear, or the hose is cut, replace prior to using the heater with WMAI 20-7512F.
- The propane cylinder must include a listed overfilling protection device as well as a collar to protect the cylinder valve.
- Heater must be in an upright position during operation.
- Screw hose connector into tank swivel on heater and screw opposite end of hose into LP gas tank valve. Tighten all hose connections. DO NOT use thread sealant on any of these connections.
- Open valve at LP-gas supply cylinder.
- Check all hose connections for leaks with soapy water at the threaded connection where the hose connector screws into the regulator and at LP-gas supply cylinder. SEE WARNING! ON ATTACHED HANG TAGS.

LIGHTING IN WINDY AREAS

1. Position the heater such that the Pilot is opposite the direction that the wind is coming from.
2. Position your body behind the heater such that your body blocks the wind while you are following the instructions for lighting the unit.

- Both the 1 lb. and 20 lb. cylinders must be in an upright position during use to insure proper vapor withdraw
- Clearance from Combustibles: Top: 30 Inches, Front: 24 Inches, Sides: 6 Inches, Rear: 0 Inches

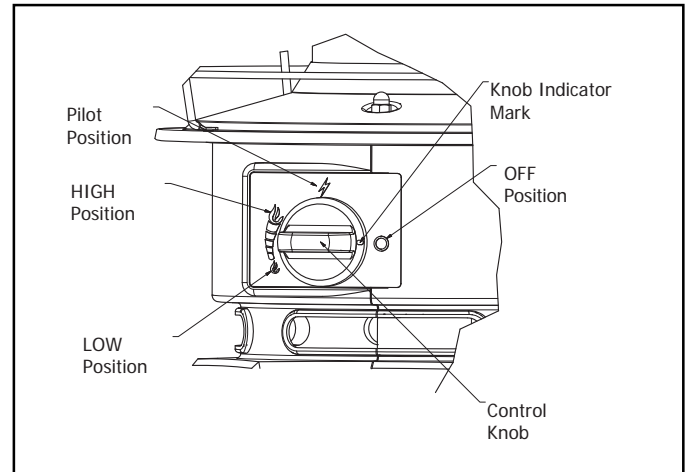


Fig. 2 - Lighting Instruction

FOR US ONLY EXCEPT MASSACHUSETTS

This Heater may be used in a Recreational Enclosure or Temporary Construction Work Enclosure with a Remote Refillable Propane Cylinder ONLY when the Cylinder is Located Outdoors and the Heater is Used with WMAI Hose No. 20-7512 .

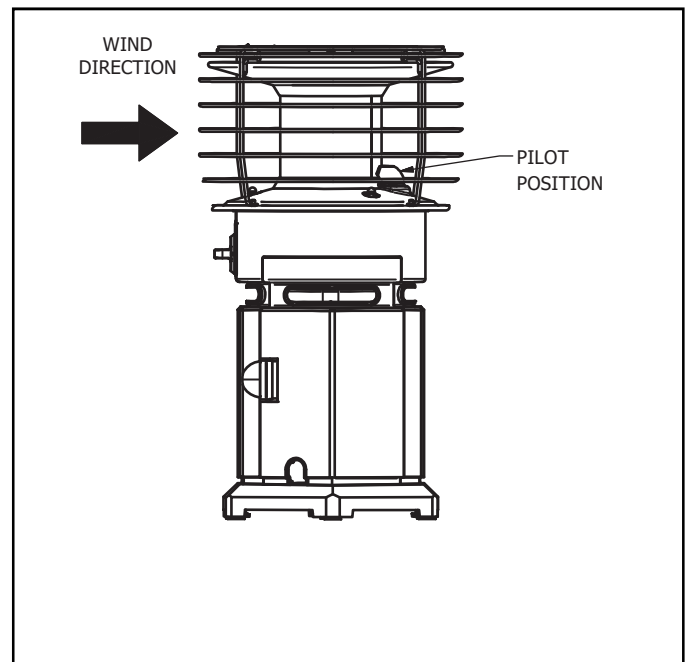


Fig. 3 - Lighting in Windy Areas

NEVER LEAVE THE HEATER UNATTENDED WHILE BURNING!

IMPORTANT NOTICE

REGARDING THIRD PARTY ATTACHMENTS TO ALL WORLD MARKETING OF AMERICA, INC. PERSONAL PROPANE HEATERS

These heaters, which are sold by World Marketing of America, Inc. (WMAI), feature an Oxygen Depletion Sensor (“ODS”), which shuts off the heater if the oxygen in the room gets below a certain point, and a tip-over safety switch that turns it off in the event of it being knocked on its side. These features allow the heater to be safely used during numerous indoor and outdoor activities.

WMAI recognizes the many different third party attachments for the personal propane heater and is aware of their intended purpose of using the product to heat or cook food. WMAI strongly encourages that these third party attachments NOT be used as they are neither certified, nor safe to be used to warm or cook food of any kind. These Heaters are not certified as a cooker and are not designed to operate in this manner. WMAI explicitly prohibits the use of any type of non-approved attachments with its personal propane heaters.

WARNING:




This product is a heater. It is certified to **ANSI Z21.103-2017** Unvented portable type gas camp heaters for indoor and outdoor use.

This product is NEVER to be used for the cooking or warming of foods as doing so can interfere with the safety systems of the heater, which may result in a fire, explosion, the production of deadly carbon monoxide, and personal injury or death to you or others. NEVER use hand-made or third party accessories or attachments with this heater; this is extremely dangerous and may result in personal injury or death to you or others

WARRANTY LANGUAGE

WMAI warrants its heaters and accessories to be free from defects in material and workmanship for a period of 1-year from date of purchase. WMAI will repair or replace this product free of charge if it has been proven to be defective within the 1-year period and is returned at customer expense with proof of purchase to WMAI within the warranty period. **DISCLAIMER:** This warranty does not cover any product that: a) has been subject to misuse or neglect; b) has been used in a manner inconsistent with the warnings and instructions contained in the owner’s manual, including but not limited to using a heater for the cooking or warming of foods; or c) has been used with hand-made or third party accessories or attachments.

WMAI prohibits the personal propane heaters from being used for cooking or warming foods. Third party attachments intended to change the intended operation of the heaters are prohibited for use as they could cause serious harm to consumers. Using such products with WMAI heaters will immediately void the product warranty. WMAI values the safety of its consumers above all else and appreciates your continual trust in all WMAI products. Please feel free to contact us at info@worldmkting.com with any questions.

-  **CAUTION:** After turning heater off, wire guard will remain hot. Allow to thoroughly cool before moving or storing.
-  **CAUTION:** When not in use, the gas must be turned off at the LP-gas supply cylinder. As stated before, allow heater to use up propane in supply line until heater shuts off. When the LP-gas supply cylinder is not disconnected from the heater, the cylinder must be stored outdoors, in a well ventilated space, out of reach of children, and must not be stored in a building, garage or any other enclosed area. Disconnect all cylinders when heater is not in use.
-  **CAUTION:** Indoor storage of the heater is permissible only if the cylinder is disconnected and removed from the heater. Cylinders must be stored outdoors out of the reach of children and must not be stored in a building, garage or any other enclosed area. 1 lb. cylinders must be Dept. of Transportation (DOT) constructed and approved and have an outlet connection compatible with a CGA 600 fitting.

**NEVER LEAVE THE HEATER
UNATTENDED WHILE BURNING!**

MAINTENANCE:

Always keep the heater area clear and free from combustible materials, gasoline and other flammable vapors and liquids. Keep the vent areas (slots in the bottom and the top at the front of heater) clear at all times so combustion and ventilation air is not obstructed. Visually inspect the pilot flame and burner periodically during use so combustion and ventilation air is not obstructed. The pilot flame should be blue in color (not yellow) and will extend beyond the thermocouple. The flame will surround the thermocouple just below the tip, see Figure 4. A slight yellow flame may occur where the pilot flame and main burner flame meet. The burner(s) should be bright orange (with a slight blue color around the border, a red-orange haze that is visible on the burner is acceptable) and without a noticeable flame. A blue flame that rolls out at the top indicates an accumulation of dust, lint or spider webs inside the main burner assembly. If the pilot is yellow or the burner has a noticeable flame, cleaning may be required. Use the following procedure to inspect main burner assembly. It is necessary to periodically check the burner(s) orifice and burner venturi tube to make sure they are clear of insects/nests or spider webs that may accumulate over time. It is strongly recommended that these maintenance instructions be performed annually. A clogged tube can lead to a fire.

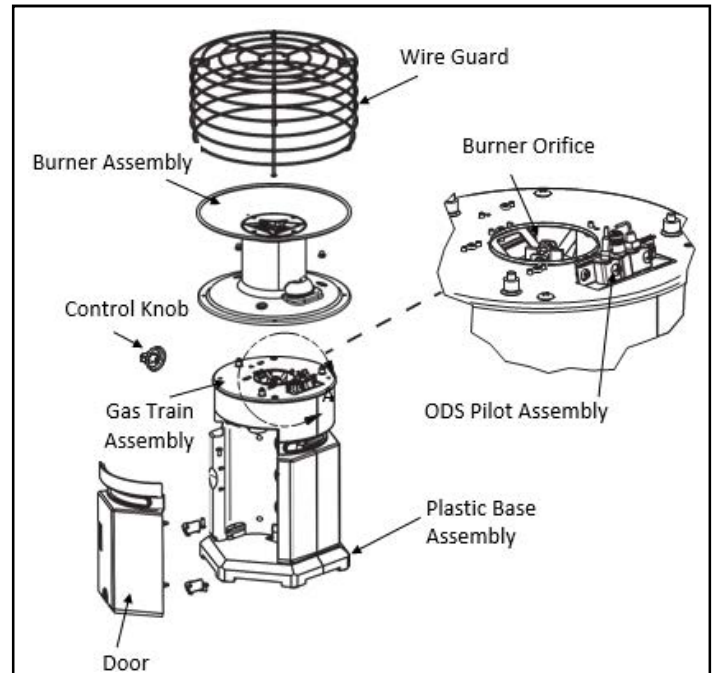


Fig. 4 - Burner Orifice Location

- 1 Allow heater to thoroughly cool before performing any maintenance.
- 2 Remove disposable 1 lb. cylinder from heater or turn OFF gas supply at remote cylinder valve, and disconnect hose from heater.
3. Inspect and clean main burner orifice located at bottom of burner venturi tube, by using a vacuum or apply air pressure at orifice opening.
- 4 Inspect and clean pilot (mounted to bracket) by using a vacuum or apply air pressure through the holes in the pilot indicated by the arrows in Figure 5.
WARNING: Never use needles, wires, or similar cylindrical objects to clean the pilot to avoid damaging the calibrated orifice that controls the gas flow.
- 5 Apply air pressure onto burner tiles and pilot to remove dust lint or spider webs.
- 6 Use a vacuum or compressed air to blow dust/dirt off the burner to clean the pilot.
- 7 Clean outer casting with a damp cloth.

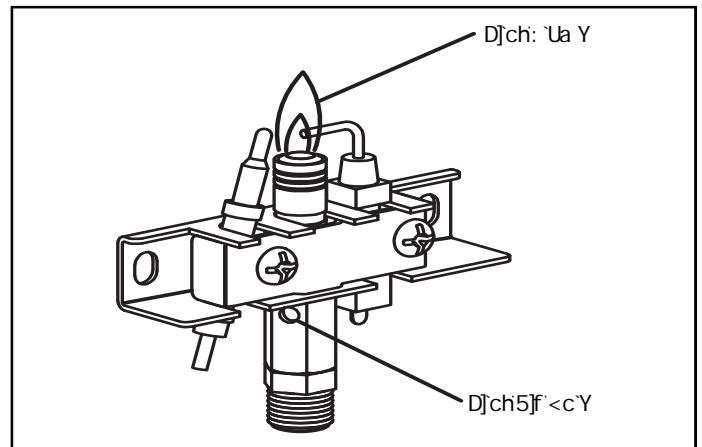


Fig. 5 - Pilot Assembly

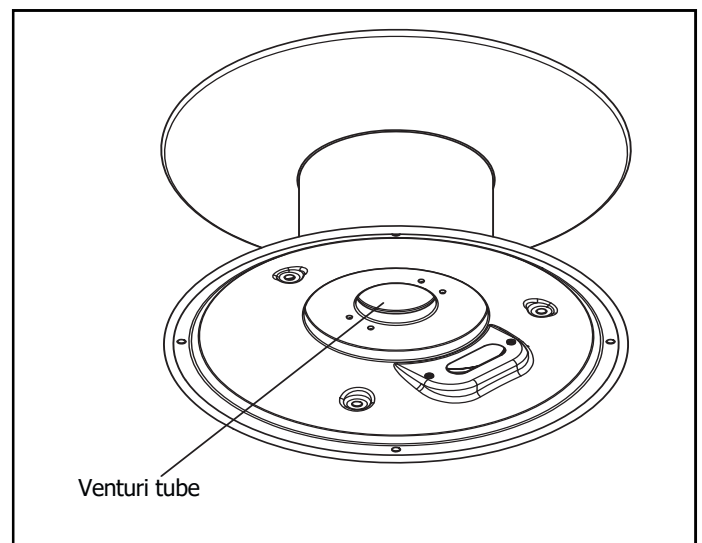


Fig. 6 - Burner Assembly

NEVER LEAVE THE HEATER UNATTENDED WHILE BURNING!

TROUBLESHOOTING

⚠ WARNING: If you smell gas:

- Shut off gas supply.
- Do not try to light any appliance.
- Do not touch any electrical switch; do not use any phone in your building.
- Immediately call your gas supplier from a neighbor's phone. Follow the gas supplier's instructions.
- If you cannot reach your gas supplier, call the fire department.

IMPORTANT: Operating heater where impurities in air exist may create odors. Cleaning supplies, paint, paint remover, cigarette smoke, cements and glues, new carpet or textiles, etc., create fumes. These fumes may mix with combustion air and create odors.

⚠ WARNING: Turn off and let cool before servicing. Only a qualified service person should service and repair heater.

⚠ CAUTION: Never use a wire, needle, or similar object to clean ODS/pilot. This can damage ODS/ pilot unit.

TROUBLESHOOTING

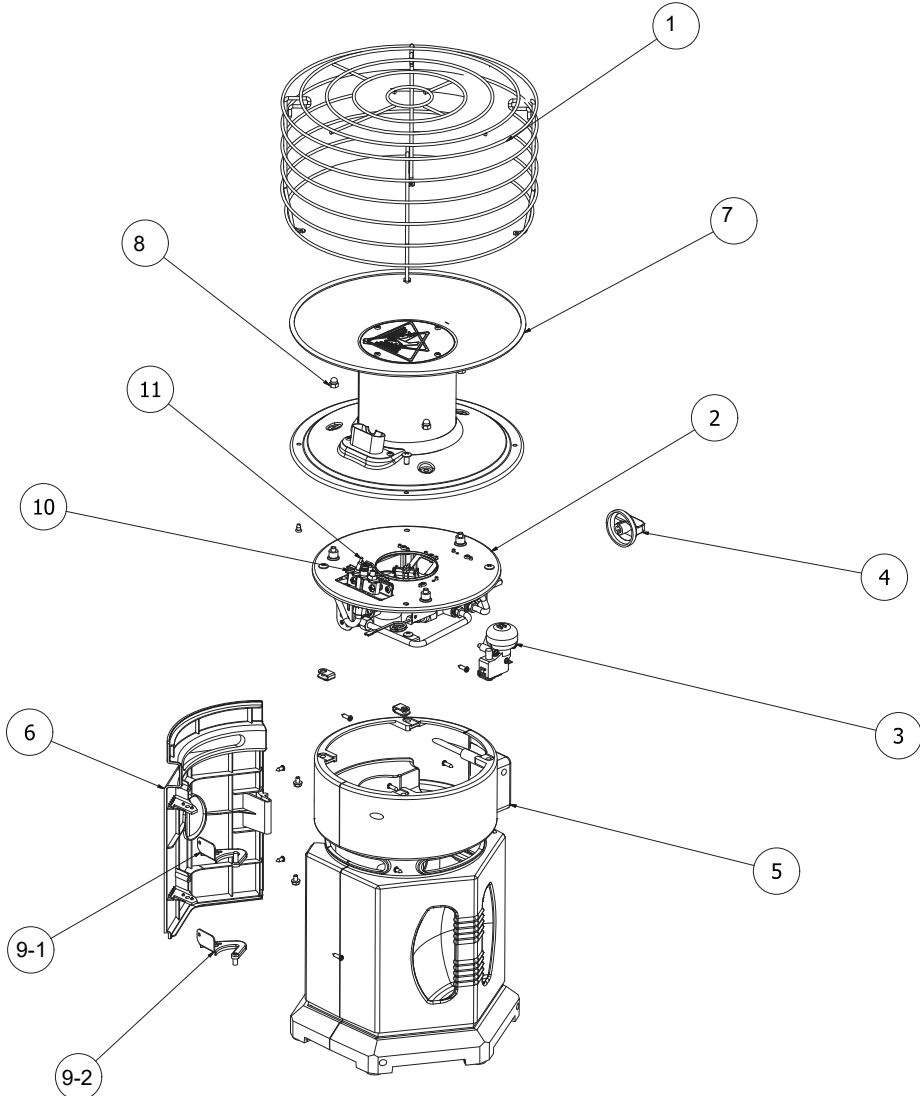
PROBLEM	POSSIBLE CAUSE	CORRECTIVE ACTION
When ignitor knob is turned, there is no spark at ODS/pilot.	<ol style="list-style-type: none"> 1. Ignitor electrode is positioned wrong. 2. Ignitor electrode is broken. 3. Ignitor electrode is not connected to ignitor cable. 4. Ignitor cable is pinched or wet. 5. Damaged ignitor cable. 	<ol style="list-style-type: none"> 1. Replace electrode. 2. Replace electrode. 3. Replace ignitor cable 4. Free ignitor cable if pinched by any metal or tubing. Keep ignitor cable dry. 5. Replace ignitor cable.
When ignitor knob is turned, there is a spark at ODS/ pilot but no ignition.	<ol style="list-style-type: none"> 1. Tank shutoff valve is closed. 2. Control knob not fully pressed in while pressing ignitor button. 3. Air in gas lines when installed. 4. ODS / pilot is clogged. 5. Control knob not in PILOT position. 6. Depleted gas supply (propane) 	<ol style="list-style-type: none"> 1. Turn on gas supply valve. 2. Fully press in control knob while pressing ignitor button. 3. Continue holding down control knob. Repeat igniting operation until air is removed. 4. Clean ODS/pilot (see Care and Maintenance, page 8) or replace ODS/pilot assembly. 5. Turn control knob to PILOT position. 6. Purchase new tank or refill 20 lb tank.
ODS/pilot lights but flame goes out when control knob is released.	<ol style="list-style-type: none"> 1. Control knob is not fully pressed in. 2. Control knob is not pressed in long enough. 3. Equipment shutoff valve is not fully open. 4. Thermocouple connection is loose. 5. Thermocouple damaged. 6. Control valve damaged. 	<ol style="list-style-type: none"> 1. Press in control knob fully. 2. After ODS/pilot lights, keep control knob pressed in 30 seconds. 3. Fully open equipment shutoff valve. 4. Hand tighten until snug, and then tighten ¼ turn more. 5. Replace thermocouple. 6. Contact customer service.
Burner(s) does not light after ODS/pilot is lit.	<ol style="list-style-type: none"> 1. Burner orifice is clogged. 2. Burner orifice diameter is too small. 3. Inlet gas pressure is too low. 	<ol style="list-style-type: none"> 1. Clean burner orifice (see Care and Maintenance, page 8) or contact customer service. 2. Contact customer service. 3. Change tanks.

NEVER LEAVE THE HEATER UNATTENDED WHILE BURNING!

PROBLEM	POSSIBLE CAUSE	CORRECTIVE ACTION
Burner backfiring during combustion.	<ol style="list-style-type: none"> 1. Burner orifice is clogged or damaged. 2. Burner is damaged. 3. Gas regulator is damaged. 	<ol style="list-style-type: none"> 1. Clean burner orifice (see Care and Maintenance, page 8 or contact customer service. 2. Contact dealer or customer service. 3. Replace gas regulator.
High yellow flame during burner combustion	<ol style="list-style-type: none"> 1. Not enough air. 2. Gas regulator is defective. 3. Outside temperature is too low. 	<ol style="list-style-type: none"> 1. Check burner for dirt and debris. If found, clean burner (see Care and Maintenance, page 8). 2. Replace gas regulator. 3. Buy new tank or refill 20lb tank.
Gas odor during combustion.	<ol style="list-style-type: none"> 1. Foreign matter between control valve and burner. 2. Gas leak. (See Warning Statement on page 2). 	<ol style="list-style-type: none"> 1. Take apart gas tubing and remove foreign matter. 2. Locate and correct all leaks.
Heater produces a clicking/ticking noise just after burner is lit or shut off.	<ol style="list-style-type: none"> 1. Metal is expanding while heating or contracting while cooling. 	<ol style="list-style-type: none"> 1. This is common with most heaters. If noise is excessive, contact qualified service technician.
Heater shuts off in use (ODS operates).	<ol style="list-style-type: none"> 1. Not enough fresh air is available. 2. Low line pressure. 3. ODS/pilot is partially clogged. 	<ol style="list-style-type: none"> 1. Open window and/or door for ventilation. 2. Contact local gas supplier. 3. Clean ODS/pilot (see Care and Maintenance, page 8).
Gas odor exists even when control knob is in OFF position.	<ol style="list-style-type: none"> 1. Gas leak. See Warning Statement on page 2. 2. Control valve is defective. 	<ol style="list-style-type: none"> 1. Locate and correct all leaks (see "Checking Gas Connections" page 4). 2. Contact customer service.
Slight smoke or odor during initial operation	<ol style="list-style-type: none"> 1. Residues from manufacturing process. 	<ol style="list-style-type: none"> 1. Problem will stop after a few hours of operation.

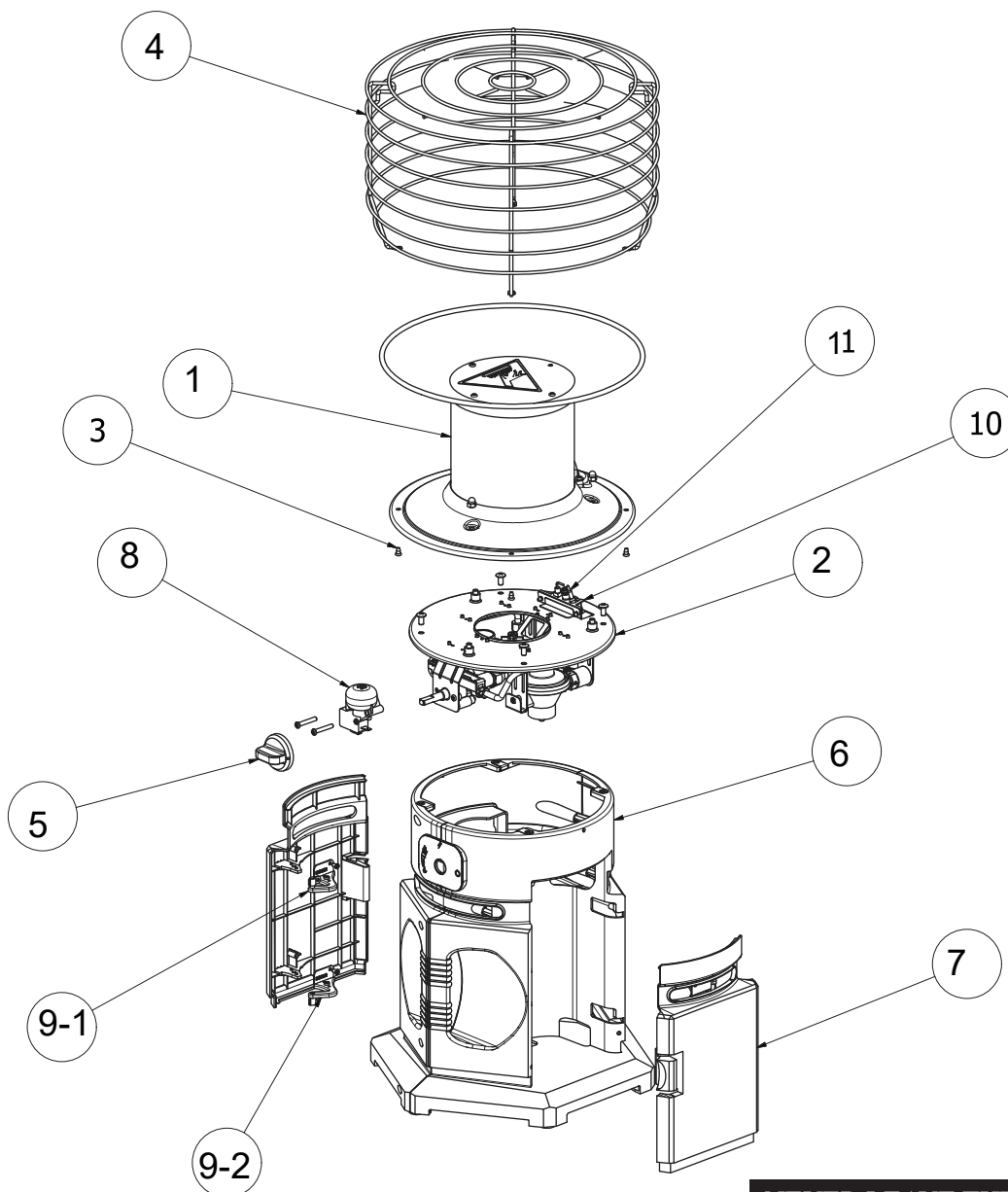
NEVER LEAVE THE HEATER UNATTENDED WHILE BURNING!

ITEM	QTY	PPH360-10	DESCRIPTION
1	1	23-5410	WireGuard
2	1	Call for Information	Gas TrainAssembly
3	1	KW-16B	Tip Switch
4	1	23-1708	Control Knob
5	1	Call for Information	Plastic Base Assembly
6	1	HA1360-15-RD	Access Door
7	1	23-0110	Burner Assembly
8	N/A	23-6008	HardwareKit(Includesall hardware to assemble unit)
9-1	1	Call for Information	HingeAssembly, upper
9-2	1	Call for Information	Hinge Assembly, lower
10	1	23-3010	LPODSPilotAssy.
11	1	Call for Information	Thermocouple



NEVER LEAVE THE HEATER UNATTENDED WHILE BURNING!

ITEM	QTY	PPH360-18	DESCRIPTION
1	1	23-0118	Burner Assembly
2	1	Call for Imforamtion	Gas Train Assembly
3	N/A	23-6008	Hardware Kit
4	1	23-5418	WireGuard
5	1	23-1708	Control Knob
6	1	Call for Imforamtion	Plastic Base Assembly
7	2	Call for Imforamtion	Door
8	1	23-6461	Tip Switch
9-1	2	Call for Imforamtion	DoorHinge, Upper
9-2	2	Call for Imforamtion	Door Hinge, Lower
10	1	23-3018	LPODSPilotAssy.
11	1	Call for Imforamtion	Thermocouple



NEVER LEAVE THE HEATER UNATTENDED WHILE BURNING!



LIMITED WARRANTY:

This limited warranty is extended to the original retail purchaser of this Forced Air/Convection/Radiant Heater and warrants against any defect in materials and workmanship for a period of one (1) year from the date of retail sale. World Marketing of America, Inc. (WMAI) at its option, will either provide replacement parts or replace or repair the unit, when properly returned to the retailer where purchased or one of our service centers as directed by WMAI within one (1) year of retail purchase. (Shipping costs, etc. are the responsibility of the purchaser.)

DUTIES OF THE OWNER:

This heating appliance must be operated in accordance with the written instructions furnished with this heater. This warranty shall not excuse the owner from properly maintaining this heater in accordance with the written instructions furnished with this heater. A bill of sale, canceled check or payment record must be kept to verify purchase date and establish warranty period. Original carton should be kept in case of warranty return of unit.

WHAT IS NOT COVERED:

1. Damage resulting from use of improper fuel.
2. Damage caused by misuse or use contrary to the owners manual and safety guidelines.
3. Damage caused by a lack of normal maintenance.
4. Use of non-standard parts or accessories.
5. Damage caused in transit. Freight charges on warranty parts or heaters to and from the factory shall be the responsibility of the owner.

This warranty does not imply or assume any responsibility for consequential damages that may result from the use, misuse, or the lack of routine maintenance of this heating appliance. A cleaning fee and the cost of parts may be charged for appliance failures resulting from lack of maintenance. This warranty does not cover claims which do not involve defective workmanship or materials. **FAILURE TO PERFORM GENERAL MAINTENANCE (INCLUDING CLEANING) WILL VOID THIS WARRANTY.**

THIS LIMITED WARRANTY IS GIVEN TO THE PURCHASER IN LIEU OF ALL OTHER WARRANTIES, EXPRESSED OR IMPLIED, INCLUDING BUT NOT LIMITED TO THE WARRANTIES OF MERCHANTABILITY OF FITNESS FOR A PARTICULAR PURPOSE. THE REMEDY PROVIDED IN THIS WARRANTY IS EXCLUSIVE AND IS GRANTED IN LIEU OF ALL OTHER REMEDIES. IN NO EVENT WILL WMAI. BE LIABLE FOR INCIDENTAL OR CONSEQUENTIAL DAMAGES.

Some states do not allow limitations on how long an implied warranty lasts, so the above limitation may not apply to you. Some states do not allow the exclusion or limitation of incidental or consequential damages so the above limitation or exclusion may not apply to you.

CLAIMS HANDLED AS FOLLOWS:

1. Contact your retailer and explain the problem.
2. If the retailer is unable to resolve the problem, contact our Customer Service Dept. detailing the heater model, the problem, and proof of date of purchase.
3. A representative will contact you. DO NOT RETURN THE HEATER TO WMAI unless instructed by our Representative. This warranty gives you specific legal rights and you may also have other rights which vary from state to state.

TO REGISTER THE WARRANTY ON YOUR HEATER, PLEASE FILL OUT THIS CARD COMPLETELY AND MAIL WITHIN 14 DAYS FROM DATE OF PURCHASE OR REGISTER ON-LINE AT www.worldmktng.com

NAME: _____ PHONE: () _____ EMAIL: _____
ADDRESS: _____ CITY: _____ STATE: _____ ZIP: _____
MODEL: _____ SERIAL #: _____ DATE PURCHASED: _____
DEALER PURCHASED FROM: _____ TYPE OF STORE: _____
CITY & STATE WHERE PURCHASED: _____ PRICE PAID: _____

Please Take a Minute To Give Us Your Answers To The Following Questions.

All Responses Are Used Solely For Market Research And Are Held In Strict Confidence.

Who primarily decided this purchase? Male Female 18-24 25-39 40-59 60 and over
Purpose of Purchase? _____
Do you own any other portable heaters? Yes No If yes, type _____ brand _____
How do you intend to use your new heater? Construction Site Farm Warehouse/Commercial Garage/Outbuilding Other
How did you become aware of this heater? In-Store Display Newspaper Ad Magazine Ad Friend/Relative
 TV Commercial Store Salesperson Other _____
What made you select this heater? Style Size/Portability Price Package Brand Other _____
Do you: own rent Would you recommend this heater to a friend? Yes No
Please give us your comments: _____

THANK YOU FOR COMPLETING THIS FORM!
Information will be held confidential.

WARRANTY REGISTRATION

IMPORTANT: We urge you to fill out your warranty registration card within fourteen (14) days of date of purchase. You can also register your warranty on the internet at www.worldmkting.com. Complete the entire serial number. Retain this portion of the card for your records.

World Marketing of America, Inc.

PO Box 192

Mill Creek PA 17060-0192

Tel) 1-814-643-1775

www.worldmkting.com

SAVE THIS CARD!

Place
Postage
Stamp
Here

World Marketing of America, Inc.

PO Box 192

Mill Creek PA 17060-0192



comfort gear™

HEATERS FOR WORK, HOME AND PLAY!

MANUAL DEL USUARIO E INSTRUCCIONES DE FUNCIONAMIENTO

LEA ATENTAMENTE LAS INSTRUCCIONES:

Lea y respete todas las instrucciones. Guarde las instrucciones en un lugar seguro para consultarlas en el futuro. No permita que nadie ensamble, encienda, ajuste ni utilice el calefactor sin leer estas instrucciones.

CALEFACTOR PORTÁTIL A PROPANO PARA USO EN INTERIORES, RECREATIVO, COMERCIAL Y DE EMERGENCIA

PARA VENTA EN EE. UU. EXCEPTO EN MASSACHUSETTS

Patente en trámite

World Marketing of America, Inc.
(WMAI)
PO Box 192
Mill Creek, PA 17060



PPH360-10



PPH360-18

⚠️ ADVERTENCIA: Si la información de este manual no se respeta con exactitud, se podría ocasionar una descarga eléctrica o un incendio, lo que podría provocar daños materiales y lesiones personales, incluso la muerte.

- No guarde ni utilice gasolina u otros vapores y líquidos inflamables cerca de este artefacto ni de ningún otro.
- Cuando los cilindros de gas propano líquido no estén conectados, no deben quedar guardados cerca de este artefacto ni de ningún otro.
- **QUÉ HACER SI SIENTE OLOR A GAS**
 - No intente encender el artefacto.
 - Apague toda llama abierta.
 - Cierre la conexión de gas que va al artefacto.
- Las reparaciones deben ser realizadas por una agencia de servicio calificada.



ANSI Z21.103-2017 Calentadores de campamento a gas de tipo portátil sin ventilación para uso en interiores y exteriores

Este es un calefactor portátil a gas sin salida al exterior. Utiliza el aire (oxígeno) del área en que se utiliza. Se debe proporcionar cantidad adecuada de aire de combustión y ventilación. Consulte la página 18.

CONSUMIDOR: conserve este manual para consultarlo cuando sea necesario.

¿Dudas, problemas, piezas faltantes? Antes de volver a la tienda, llame a nuestro departamento de servicio al cliente al 800-776-9425 de lunes a viernes de 8:30 a 5:00 EST o escriba a info@worldmktng.com

www.worldmktng.com

CONTENIDO

Información sobre reparación/solicitud de piezas	14
Instrucciones generales sobre seguridad	15
Información general	16
Instrucciones de instalación del tanque	18
Funcionamiento con cilindros de gas propano desechables	18
Funcionamiento con manguera conectada a cilindro remoto.	18
Instrucciones de funcionamiento del encendido	19
Mantenimiento	21
Solución de problemas	22
Lista de piezas	24
Garantía.....	25

ADVERTENCIA:

Cada vez que se conecta la manguera o el tanque a la unidad, se debe verificar que la conexión no tenga fugas. Para esto: Aplique agua jabonosa en la conexión, observe si hay burbujas, escuche si hay un silbido de escape de gas, palpe para comprobar si está muy frío y verifique que no haya olor a huevo podrido. ¡No utilice el artefacto si hay fugas!

ADVERTENCIA:

Realizar cambios en el calefactor o en sus controles puede ser peligroso.

ADVERTENCIA:

Los signos tempranos de intoxicación por monóxido de carbono se asemejan a los de la gripe, con dolores de cabeza, mareos y/o náuseas. Si presenta estos signos, es posible que el calefactor no esté funcionando correctamente. ¡Tome aire fresco inmediatamente! Haga reparar el calefactor.

ADVERTENCIA:

Algunas personas —embarazadas, personas con enfermedades cardíacas o pulmonares, anémicas, las que están bajo los efectos del alcohol o las que están a alturas elevadas— se ven más afectadas por el monóxido de carbono que otras.

ADVERTENCIA:

Si se trata de un espacio cerrado recreativo o comercial sin ventana ni ventilación en el techo que esté abierta, **NO UTILICE ESTE CALEFACTOR** en el interior.

ADVERTENCIA:

Este producto y los combustibles utilizados para poner en funcionamiento este producto (propano líquido), y los productos de la combustión de tales combustibles, pueden exponerlo a sustancias químicas como el benceno que, según el estado de California puede provocar cáncer y daños reproductivos.

Para obtener más información, visite www.p65Warnings.ca.gov

**NUNCA DEJE DESATENDIDO EL CALEFACTOR
MIENTRAS ESTÁ ENCENDIDO.**

INFORMACIÓN GENERAL:

- Este calefactor es seguro para ser utilizado en el interior de espacios cerrados pequeños de uso recreativo que tengan medios para proporcionar aire de combustión y ventilación, como galerías cerradas, cabinas, cabañas de pescadores, remolques, tienda-remolques, tiendas de campaña, capotas de camionetas y furgonetas. Se puede utilizar como calefacción de emergencia para interiores si se conecta a un cilindro de gas propano de 1 lb desechable y también en espacios cerrados comerciales que tengan medios para proporcionar aire de combustión y ventilación, como casillas de obrador o compartimentos para trabajos temporarios.
 - Cuando el calefactor está frío o a temperatura ambiente, demorará unos minutos para que el quemador se torne de color naranja brillante. Esto es normal y significa que el calefactor está funcionando correctamente. Además, durante el procedimiento de encendido inicial, el aceite utilizado en el proceso de fabricación debe quemarse. Observará un quemado continuo que puede llevar hasta 60 minutos, y tal vez perciba cierto olor y observe llamas de color amarillo. Esto disminuirá una vez finalizado el quemado del aceite.
 - Después de unas horas de funcionamiento, la placa superior del quemador se descolorará debido al calor del funcionamiento normal. Esto es normal y no afecta al funcionamiento seguro de la unidad.
 - No se recomienda el uso del calefactor cuando hay mucho viento. Se pueden agitar las llamas del calentador, lo que reduce la eficacia del artefacto y podría ocasionar excesivos apagados del piloto.
 - Cuando la unidad esté encendida, habrá un borde de aproximadamente un cuarto de pulgada que no se tornará de color naranja brillante. Esto es normal.
 - Cuando el calefactor funciona a alturas superiores a los 7000 pies sobre el nivel del mar, es posible que la unidad no queme con tanta intensidad como en alturas inferiores. Esto es normal. A alturas más elevadas, el calefactor podría apagarse. Si esto sucede, procure que haya aire fresco, espere 5 minutos y vuelva a encenderlo. Debido a las condiciones atmosféricas locales, es posible que el calefactor no se vuelva a encender.
 - Si mueve el calefactor cuando está encendido o si, al colocarlo en el suelo, lo golpea, es posible que el interruptor de vuelco haga que se apague el calefactor. Si esto sucede, vuelva a encenderlo.
 - El tiempo de funcionamiento variará según el lugar y el tamaño del cilindro. Consulte el gráfico y la sección "Funcionamiento en clima frío".
- NOTA: ESTE CALEFACTOR PUEDE FUNCIONAR CON (1) CILINDROS DE GAS PROPANO DESECHABLES DE 1 LB O CON (1) CILINDRO DE GAS PROPANO RECARGABLE REMOTO DE 20 LB COMO MÁXIMO UTILIZANDO (1) manguera de extensión de 12' WMAI modelo n.º 20-7512F y (1) fi ltro de combustible WMAI modelo n.º 20-7512F (se venden por separado)**

FUNCIONAMIENTO EN CLIMA FRÍO:

- Por lo general, el clima frío se define como temperaturas ambiente inferiores a 32 °F.
- Los cilindros de gas propano de 1 lb tienen dificultad para producir suficiente gas a bajas temperaturas y se pueden congelar, lo que reduce el tiempo de funcionamiento entre un 50 % y un 70 %. Por esta razón, se recomienda utilizar únicamente tanques de gas propano de 20 lb bajo estas condiciones.
- Si se utiliza un tanque de 1 lb en climas fríos, por ejemplo, en una cabaña para pescadores escarchada, tenga en cuenta las siguientes sugerencias:
 1. Los tiempos de funcionamiento se reducirán considerablemente.
 2. Nunca coloque el calefactor directamente sobre el hielo. Coloque el calefactor sobre una pieza de material aislante rígido resistente a las llamas y asegúrese de que las ranuras de ventilación de la parte inferior del calefactor no estén obstruidas.
 3. Levante ligeramente el calefactor sobre el nivel del suelo. Asegúrese de que la unidad esté nivelada y firme y no se pueda volcar.
 4. Mantenga abierta la puerta de acceso del tanque. Esto proporciona calor adicional para calentar el cilindro de 1 lb.
 5. Se debe proporcionar cantidad adecuada de aire de ventilación y combustión.
 6. Mantenga todas las distancias según se especifican en la página 18.

ADVERTENCIA:

Observe cuidadosamente el calefactor para verificar que no haya signos de congelamiento del cilindro de 1 lb. Si la parte inferior del quemador comienza a tornarse de naranja a azul y comienza a chisporrotear, apague inmediatamente el calefactor y retirelo del espacio cerrado.

NUNCA DEJE DESATENDIDO EL CALEFACTOR MIENTRAS ESTÁ ENCENDIDO.

ESPECIFICACIONES

N.º DE MODELO	PPH360-10 / PPH360-18
TIPO DE GAS	PROPANO
ENTRADA BTU/H.....	Serie HA1360 - 7500 - 10 000
ENTRADA BTU/H.	Serie PPH18 - 18K, 9K y 4K
PRESIÓN MÁX. DE SUMINISTRO.....	PRESIÓN DEL TUBO
DISTANCIA A COMBUSTIBLES (DESDE EL BORDE DE PROTECCIÓN)	
SUPERIOR	17 pulgadas
FRONTAL	15 pulgadas
LATERALES	15 pulgadas
TRASERA	15 pulgadas

PRECAUCIÓN:

- Las superficies de linóleo se pueden decolorar si el calefactor se coloca directamente sobre el revestimiento.
- Cuando el calefactor funciona a alturas superiores a los 7000 pies sobre el nivel del mar, es posible que se apague. (Lea la INFORMACIÓN GENERAL).

Tamaño del cilindro	Tiempo de funcionamiento PPH360-10	Tiempo de funcionamiento PPH360-18
Un cilindro de 1 lb	2.7 h (alto) - 3.2 h (bajo)	NO RECOMENDADO
Dos cilindros de 1 lb	N/A	2,4 horas (H) 4,7 horas (M) 10,7 horas (L)
Un cilindro de 20 lb	45 h (alto) - 58 h (bajo)	24 h (H), 48 h (M), 108 h (L)

INSTRUCCIONES GENERALES SOBRE SEGURIDAD

ESTE ES UN ARTEFACTO DE CALEFACCIÓN. NO PONGA EN FUNCIONAMIENTO ESTE ARTEFACTO SI LA REJILLA DE PROTECCIÓN NO ESTÁ INSTALADA. NO INTENTE CALENTAR NI COCINAR ALIMENTOS SOBRE ESTE CALEFACTOR.

- No utilice accesorios no aprobados en este calefactor.
- **Debido a las altas temperaturas, el artefacto se debe colocar fuera del tráfico y apartado de materiales combustibles.**
- **Tanto los niños como los adultos deben estar al tanto de los peligros de las altas temperaturas y mantenerse alejados para evitar quemaduras o riesgo de que se les prenda fuego la ropa.**
- **Cuando haya niños cerca del lugar donde se encuentra el artefacto, se los deberá supervisar atentamente.**
- **Nunca coloque ropa u otro material inflamable sobre el artefacto o cerca de este.**
- No ponga en funcionamiento el calefactor sobre un vehículo en movimiento.
- Este calefactor también se puede utilizar en un espacio cerrado de uso recreativo o comercial que tenga una ventana o una ventilación en el techo. También se puede utilizar en exteriores.
- Este calefactor requiere un área de ventilación mínima de 18 pulgadas cuadradas (por ejemplo, una abertura de 4 1/4" x 4 1/4") para que la ventilación sea adecuada durante el funcionamiento. No utilice otros artefactos que queman combustible en el interior.
- **LA PRESIÓN DE GAS DEL CALEFACTOR SE REGULA Y SE FIJA EN 11" DE COLUMNA DE AGUA. AL UTILIZAR UNA CONEXIÓN DE MANGUERA REMOTA A LOS REGULADORES DEL CALEFACTOR, NO REGULE NI REDUZCA LA PRESIÓN DE SUMINISTRO DEL TANQUE DE GAS PROPANO AL CALEFACTOR.**
- **LOS REGULADORES DEL CALEFACTOR SIEMPRE DEBEN ESTAR EN SU LUGAR DURANTE EL FUNCIONAMIENTO.**
- **Antes de poner en funcionamiento el calefactor, vuelva a colocar todas las protecciones o pantallas de seguridad que hayan sido retiradas para realizar la reparación del artefacto.**
- **El artefacto debe ser inspeccionado antes de cada uso. Posiblemente se requiera una limpieza frecuente. Los compartimentos de control, los quemadores y los conductos de aire circulante deben mantenerse limpios; consulte la sección MANTENIMIENTO.**
- NO utilice este calefactor si se ha mojado alguna de las piezas. Llame inmediatamente a un técnico calificado para que inspeccione el calefactor y reemplace las piezas del sistema de control y los controles de gas que se hayan mojado.
- Si se lo utiliza sin un flujo adecuado de aire de combustión y ventilación, el calefactor puede emitir una cantidad excesiva de MONÓXIDO DE CARBONO, un gas tóxico que no produce olor.
- Algunas personas —embarazadas, personas con enfermedades cardíacas o pulmonares, anémicas, las que están bajo los efectos del alcohol o las que están a alturas elevadas— se ven más afectadas por el monóxido de carbono que otras.
- Los cilindros se deben desconectar cuando el calefactor está fuera de uso.
- Cuando el calefactor se coloque sobre el suelo, asegúrese de que el suelo esté nivelado y mantenga cualquier objeto a una distancia mínima de 15" desde el borde del calefactor. ESTE CALEFACTOR ESTÁ EQUIPADO CON UN INTERRUPTOR DE VUELCO QUE APAGA EL ARTEFACTO SI SE VUELCA. NO OBSTANTE, NUNCA DEJE EL CALEFACTOR DESATENDIDO O EN UN LUGAR DONDE LOS NIÑOS PUEDAN VOLCARLO. ¡NUNCA DEJE EN FUNCIONAMIENTO EL CALEFACTOR MIENTRAS DUERME!
- Mantenga los cilindros recargables remotos de 20 lb. por lo menos a 6 pies del calentador en todo momento.

NUNCA DEJE DESATENDIDO EL CALEFACTOR MIENTRAS ESTÁ ENCENDIDO.

INSTRUCCIONES DE INSTALACIÓN DEL TANQUE

Instalación del tanque para cilindros de gas propano de 1 lb con certificación del Departamento de Transporte (DOT) (Fig. 1)

- Abra las puertas de fácil acceso del compartimento del tanque.
- Localice el regulador y gírelo hacia arriba con la mano de manera que tenga mejor acceso para el cilindro.
- Conecte los cilindros en el montaje giratorio girando suavemente en sentido de las agujas del reloj hasta que quede ajustado. No ajuste demasiado. No utilice herramientas para ajustar.
- Coloque una solución de agua con 50 % de jabón en la junta entre el regulador y el cilindro para detectar fugas de gas.

Instalación del tanque para cilindros de gas propano de 20 lb (Fig. 1a)

- Abra las puertas de fácil acceso del compartimento del tanque.
- Localice el regulador y gírelo hacia arriba con la mano de manera que tenga mejor acceso para el adaptador del extremo de la manguera.
- Conecte el fi ltro de combustible modelo 20-7512 en el montaje giratorio girando suavemente en sentido de las agujas del reloj hasta que quede ajustado. No lo ajuste demasiado. No utilice herramientas para ajustar.
- Conecte el adaptador del extremo de la manguera WMAI (n.º 20-7512 al fi ltro de combustible girando suavemente en sentido de las agujas del reloj hasta que quede ajustado. No ajuste demasiado. No utilice herramientas para ajustar.
- Coloque una solución de agua con 50 % de jabón en la junta entre el regulador y el adaptador del extremo de la manguera para detectar fugas de gas.

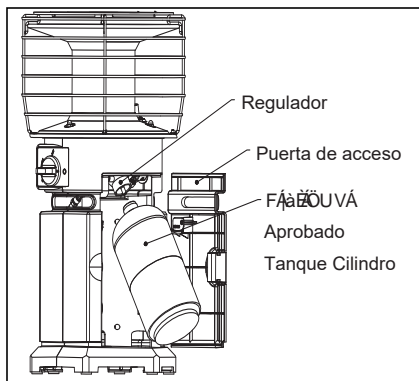


Fig. 1 - Instalación del tanque del cilindro de 1 lb

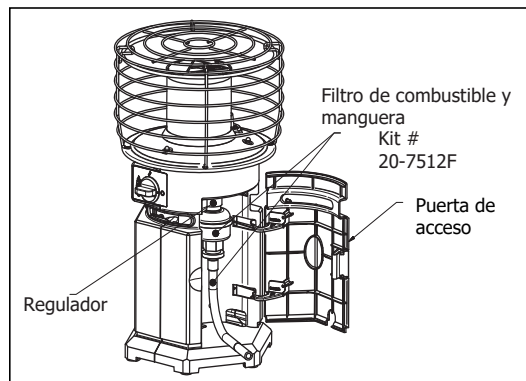
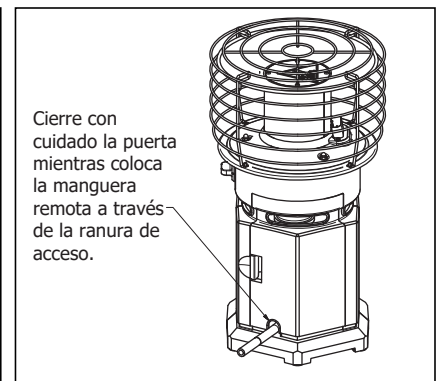


Fig. 1a - Instalación del tanque remoto



INFORMACIÓN ADICIONAL SOBRE ACCESORIOS OPCIONALES PARA CONECTAR UN TANQUE DE GAS PROPANO DE 20 LB

- Atención: este calefactor puede funcionar con (1) tanque de gas propano recargable remoto de 20 lb. como máximo.
- Para conectar el tanque de gas propano de 20 lb. se puede utilizar cualquier manguera certificada por CSA que tenga un acceso CGA 600 y un dispositivo de exceso de flujo, y que sea adecuada para esta aplicación.
- No se recomienda utilizar mangueras ni adaptadores no certificados o confeccionados a mano para conectar el tanque de gas propano de 20 lb.
- El uso de un filtro de combustible es recomendable, pero no obligatorio. El filtro de combustible puede reducir los potenciales contaminantes de la manguera o del tanque de gas propano de 20 lb. y prolongar la vida útil del calefactor.
- Se recomienda usar el kit de conexión del tanque de gas propano de 20 lb. WMAI o, modelo n.º 20-7512 , que incluye (1) manguera de extensión de 12' y (1) fi ltro de combustible (se vende por separado).

PARA USO EN INTERIORES Y DE EMERGENCIA

- Cuando el artefacto está en uso, se debe proporcionar cantidad adecuada de aire de combustión y ventilación. Para obtener más información, consulte las Instrucciones generales sobre seguridad en la página 18.
- En este calefactor solo se pueden utilizar cilindros de 1 lb. marcados con la leyenda PROPANO.
- NUNCA use un cilindro de gas propano recargable en lugares cerrados. Podría producirse un incendio o una explosión, con daños materiales y lesiones graves o mortales.

NUNCA DEJE DESATENDIDO EL CALEFACTOR MIENTRAS ESTÁ ENCENDIDO.

INSTRUCCIONES DE ENCENDIDO, FUNCIONAMIENTO Y APAGADO

1. Asegúrese de que la perilla de control esté en la posición de APAGADO "O".
2. Abra la puerta de acceso e instale la fuente de combustible propano:
 - a. Instale un cilindro de gas propano de 1 lb con certificación del Departamento de Transporte (DOT).
 - b. Instale el conector de manguera WMAI modelo n.º 20-7512
Coloque una solución de agua con 50 % de jabón en la junta entre el regulador y el cilindro para detectar fugas de gas.
3. Oprima y gire la perilla de control hasta la posición piloto "🔥".
 - a. Si está alimentado por un tanque de gas propano de 1 lb, manténgala oprimida por 30 segundos.**
 - b. Si está alimentado por un tanque de gas propano de 20 lb, manténgala oprimida por 4 a 5 minutos**

Presione la perilla y gírela hasta la posición de apagado
Desde la posición APAGADO "O", presiónela y gírela en sentido contrario a las agujas del reloj hasta la posición PILOTO.
4. Mantenga presionada la perilla en la posición PILOTO durante **30 segundos o hasta asegurarse de que la llama piloto permanece encendida.**
5. Suelte la perilla. Esta debería regresar a la posición completamente extendida y el piloto debería permanecer encendido.
6. Encienda el quemador presionando levemente la perilla y girándola con suavidad hasta colocarla en la posición ALTO "🔥".
7. Regule la salida de calor girando la perilla entre la posición ALTO y BAJO "🔥".
8. Para apagar el calefactor, gire la perilla en sentido de las agujas del reloj hasta la posición de APAGADO, retire el cilindro de gas o cierre la válvula del tanque de gas propano para que el calefactor pueda quemar el gas en la manguera y luego gire la perilla del calefactor hasta la posición APAGADO.

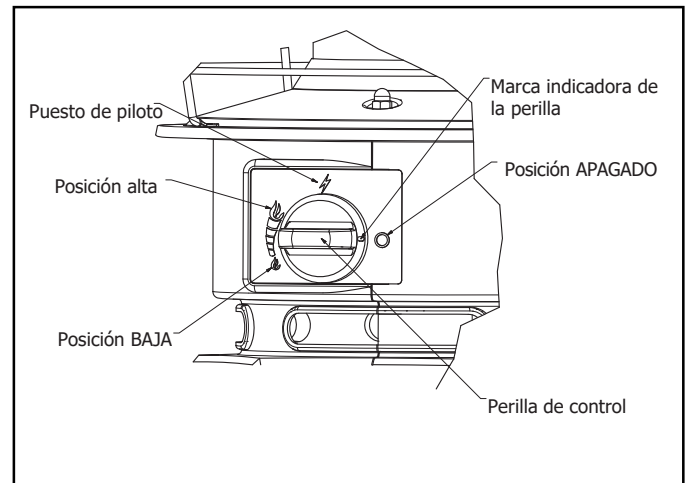


Fig. 2 - Instrucciones de encendido

⚠️ PRECAUCIÓN

No intente regular la temperatura con la válvula de paso del tanque de gas propano. Una vez que se apague el calefactor, la protección seguirá estando caliente. Deje que el calefactor se enfríe antes de guardarlo.
No utilice, guarde, conecte ni retire la conexión de la manguera/cilindro cerca de elementos inflamables o fuentes de ignición.

INSTRUCCIONES DE ENCENDIDO/ FUNCIONAMIENTO CON MANGUERAS CONECTADAS A UN CILINDRO REMOTO, TAMAÑO MÁXIMO DE 20 LB

- Este calefactor se puede utilizar, en un espacio cerrado de uso recreativo o en un espacio cerrado destinado al trabajo temporario de constructores, con un cilindro de gas propano recargable remoto ÚNICAMENTE cuando el cilindro se encuentra en el exterior y el calefactor se utiliza con una manguera WMAI n.º 20-7512
- La manguera de WMAI n.º 20-7512 incluye un conector de tanque que se ajusta con la mano y un accesorio conector de manguera n.º 600.
- **⚠️ ADVERTENCIA:** NUNCA use un cilindro de gas propano recargable en lugares cerrados. Podría producirse un incendio o una explosión, con daños materiales y lesiones graves o mortales.
- Inspeccione la manguera antes de cada uso. Si hay demasiada abrasión o está demasiado gastada, reemplácelas antes de usar el calefactor con WMAI 20-7512.
- El cilindro de gas propano debe incluir un dispositivo de protección contra sobrellenado registrado y un collarín para proteger la válvula del cilindro.
- El calefactor debe estar en posición vertical durante el funcionamiento.
- Atornille el conector de la manguera en el montaje giratorio del tanque del calefactor y atornille el extremo opuesto de la manguera en la válvula del tanque de gas propano líquido. Ajuste todas las conexiones de la manguera. NO utilice sellador de roscas en ninguna de estas conexiones.
- Abra la válvula del cilindro de suministro de gas propano líquido.
- Verifique todas las conexiones de la manguera para detectar fugas colocando agua jabonosa en la conexión roscada, donde el conector de la manguera se atornilla al regulador y al cilindro de suministro de gas propano líquido. LEA LAS ADVERTENCIAS DE LAS ETIQUETAS COLGANTES.

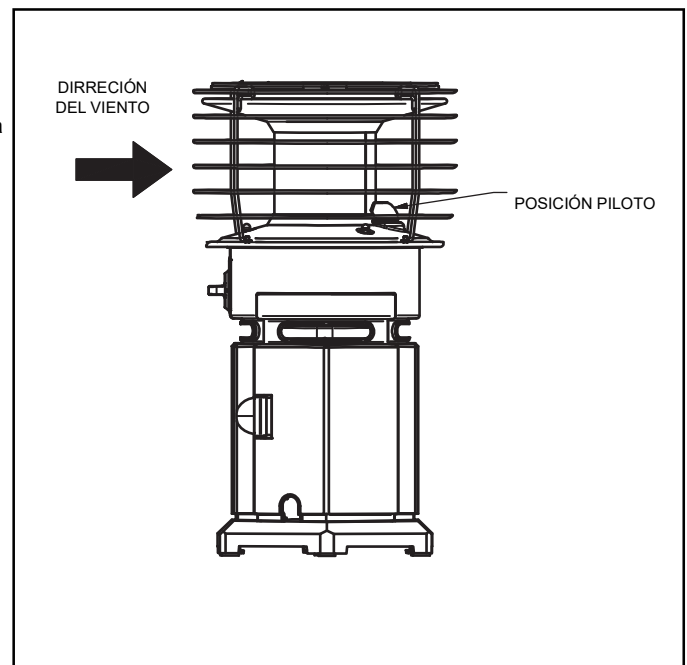


Fig. 3 - Encendido en áreas ventosas

ENCENDIDO EN ÁREAS VENTOSAS

1. Coloque el calefactor de manera que el piloto quede en dirección opuesta al viento.
2. Colóquese detrás del calefactor de manera que su cuerpo bloquee el viento y siga las instrucciones para encender la unidad.

NUNCA DEJE DESATENDIDO EL CALEFACTOR MIENTRAS ESTÁ ENCENDIDO.

AVISO IMPORTANTE

SOBRE EL USO DE ACCESORIOS DE TERCEROS EN TODOS LOS

WORLD MARKETING OF AMERICA, INC. CALENTADORES PERSONALES DE PROPANO

Estos calentadores, vendidos por World Marketing of America, Inc. (WMAI), cuentan con un sensor de agotamiento de oxígeno ("ODS"), que apaga el calentador si el oxígeno en la habitación desciende por debajo de cierto punto, y un interruptor de seguridad contra vuelcos que lo apaga en caso de ser golpeado de lado. Estas características permiten que el calentador se use de manera segura durante numerosas actividades en interiores y exteriores.

WMAI reconoce los diferentes accesorios de terceros para el calentador de propano personal y está al tanto de su intención. finalidad de utilizar el producto para calentar o cocinar alimentos. WMAI recomienda encarecidamente que estos archivos adjuntos de terceros NO se utilicen como no están certificados ni son seguros para calentar o cocinar alimentos de ningún tipo. Estos calentadores no están certificados como cocina y no están diseñados para operar de esta manera. WMAI prohíbe explícitamente el uso de cualquier tipo de archivos adjuntos no aprobados con sus calentadores personales de propano.

ADVERTENCIA:

Este producto es un calefactor. Está certificado por ANSI Z21.103-2017 para Calefactores de gas portátiles para campamentos sin ventilación para uso en interiores y exteriores.




Este producto NUNCA se debe utilizar para cocinar o calentar alimentos, ya que esto puede interferir en los sistemas de seguridad del calefactor, lo que podría provocar un incendio, una explosión, la producción de monóxido de carbono mortal y lesiones personales o mortales a usted o a otras personas. NUNCA utilice accesorios ni dispositivos de terceros ni hechos a mano en este calefactor; es muy peligroso y podría ocasionar lesiones personales o mortales a usted o a otras personas.

INFORMACIÓN DE GARANTÍA

WMAI garantiza que sus calentadores y accesorios están libres de defectos de material y mano de obra por un período de 1 año a partir de la fecha de compra. WMAI reparará o reemplazará este producto sin cargo si se demuestra que tiene defectos dentro del período de 1 año y se devuelve a cargo del cliente con el comprobante de compra a WMAI dentro del período de garantía.

DESCARGO DE RESPONSABILIDAD: Esta garantía no cubre ningún producto que: a) haya sido objeto de mal uso o negligencia; b) se ha utilizado de manera incompatible con las advertencias e instrucciones contenidas en el manual del propietario, incluido, entre otros, el uso de un calentador para cocinar o calentar alimentos; o c) se ha utilizado con accesorios o aditamentos hechos a mano o de terceros.

WMAI prohíbe el uso de calentadores personales de propano para cocinar o calentar alimentos. Se prohíbe el uso de accesorios de terceros destinados a cambiar el funcionamiento previsto de los calentadores, ya que podrían causar daños graves a los consumidores. El uso de dichos productos con calentadores WMAI anulará inmediatamente la garantía del producto. WMAI valora la seguridad de sus consumidores por encima de todo y aprecia su confianza continua en todos los productos de WMAI. No dude en contactarnos en info@worldmktng.com si tiene alguna pregunta.

-  **PRECAUCIÓN:** Una vez que se apague el calefactor, la rejilla de protección seguirá estando caliente. Deje que se enfríe completamente antes de mover o guardar el calefactor.
-  **PRECAUCIÓN:** Cuando no esté en uso, se debe cerrar el gas en el cilindro de suministro de gas propano líquido. Como se indicó anteriormente, deje que el calefactor utilice todo el gas propano de la tubería de suministro hasta que el calefactor se apague. Cuando el cilindro de suministro de gas propano líquido no está conectado en el calefactor, el cilindro se deben guardar al aire libre, en un espacio bien ventilado, fuera del alcance de los niños, y no se debe guardar dentro de un edificio, garaje ni ningún otro lugar cerrado. Desconecte todos los cilindros cuando el calefactor no esté en uso.
-  **PRECAUCIÓN:** El calefactor se puede guardar en un espacio interior siempre que se haya desconectado y extraído el cilindro. Los cilindros se deben guardar al aire libre, fuera del alcance de los niños; no se deben guardar dentro de un edificio, garaje ni ningún otro lugar cerrado.

Los cilindros de 1 lb y 20 lb deben estar en posición vertical durante el uso para garantizar que el vapor se extraiga correctamente.

Los cilindros de 1 lb deben estar fabricados y aprobados por el Departamento de Transporte (DOT) y deben tener una conexión de salida compatible con el accesorio CGA 600.

NUNCA DEJE DESATENDIDO EL
CALEFACTOR MIENTRAS ESTÁ ENCENDIDO.

MANTENIMIENTO:

Siempre asegúrese de que no haya material combustible, gasolina ni otros vapores y líquidos inflamables en el lugar donde se encuentra el calefactor. Mantenga en todo momento despejadas las áreas de ventilación (ranuras en la parte inferior y superior, en el frente del calefactor) de manera que la combustión y el aire de ventilación no estén obstruidos. Con frecuencia, inspeccione visualmente la llama piloto y el quemador durante el uso para verificar que la combustión y el aire de ventilación no estén obstruidos. La llama del piloto debe ser de color azul (no amarillo) y se debe extender más allá de la termocupla. La llama rodeará la termocupla debajo de la punta; consulte la Figura 4. Se puede producir una llama de color levemente amarillo cuando la llama del piloto se cruza con la llama del quemador principal. Los quemadores deben ser de color naranja brillante (con un color levemente azul en torno al borde; una sombra de color naranja rojizo visible en el quemador es aceptable) y sin una llama perceptible. Una llama azul que se despliega en la parte superior indica una acumulación de polvo, pelusas o telarañas adentro del conjunto del quemador principal. Si el piloto es amarillo o el quemador tiene una llama perceptible, posiblemente se requiera una limpieza. Utilice el siguiente procedimiento para inspeccionar el conjunto del quemador principal. Si es necesario revise periódicamente el orificio y el tubo de Venturi del quemador para asegurarse de que estén limpios y no tengan insectos, nidos o telarañas que se suelen acumular con el tiempo. Se recomienda especialmente que estas instrucciones de mantenimiento se realicen una vez por año. Un tubo obstruido puede ocasionar un incendio.

1. Deje que el calefactor se enfríe completamente antes de realizar cualquier tarea de mantenimiento.
 2. Extraiga los cilindros de 1 lb del calefactor o cierre el suministro de gas en la válvula del cilindro remoto y desconecte la manguera del calefactor.
 3. Retire la rejilla de protección del calefactor extrayendo con cuidado los cuatro tornillos que sujetan la rejilla.
 4. Extraiga las (3) tuercas ciegas y retire con cuidado el conjunto del quemador exponiendo el conjunto del piloto y el tubo de Venturi.
 5. Inspeccione que no haya polvo, pelusas ni telarañas acumulados en el interior del conjunto de la carcasa. Si es necesario, limpie el interior del conjunto de la carcasa con una aspiradora o aplique presión de aire. Tenga cuidado de no dañar ningún componente del conjunto de la carcasa durante la limpieza.
 6. Inspeccione y limpie el orificio del quemador principal en la parte inferior del tubo de Venturi del quemador utilizando una aspiradora o aplicando presión de aire en la abertura del orificio.
 7. Inspeccione y limpie el piloto (montado en el soporte) utilizando una aspiradora o aplicando presión de aire a través de los orificios del piloto, que se indican con flechas en la figura 5.
- ADVERTENCIA:** Nunca utilice agujas, alambres ni otros objetos cilíndricos similares para limpiar el piloto ya que podría dañar el orificio calibrado que controla el flujo de gas.
8. Aplique presión de aire en el conjunto del quemador para quitar el polvo, las pelusas o las telarañas.
 9. Vuelva a instalar el conjunto del quemador y la rejilla de protección.

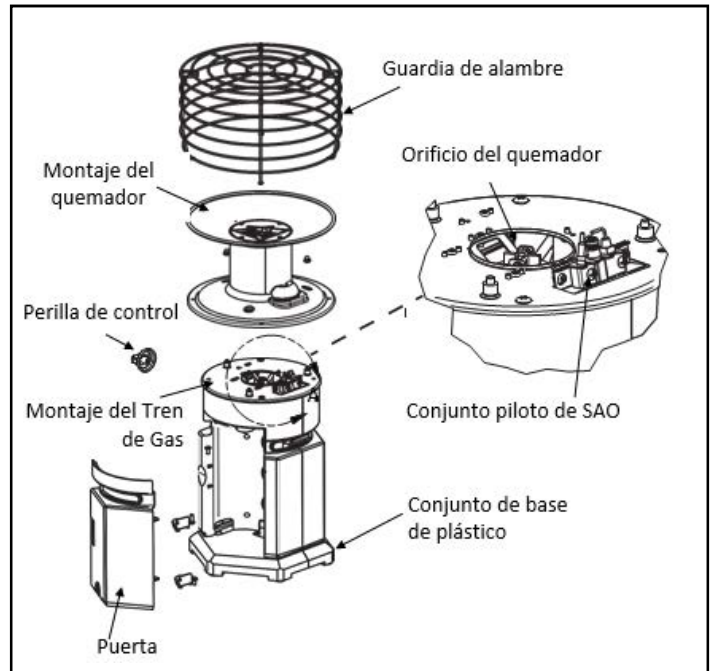


Fig. 4 - Ubicación del orificio del quemador

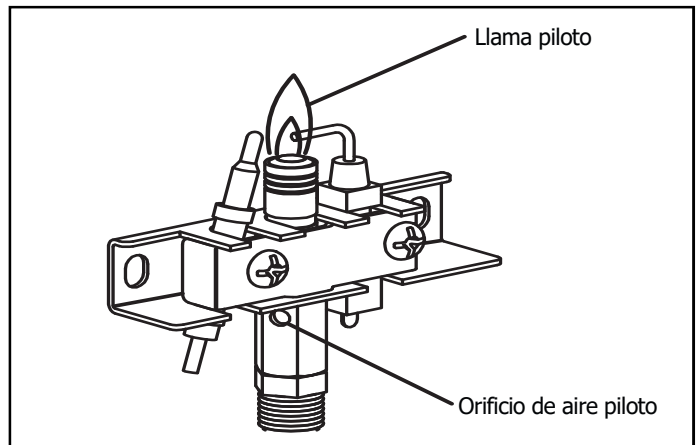


Fig. 5 - Conjunto del piloto

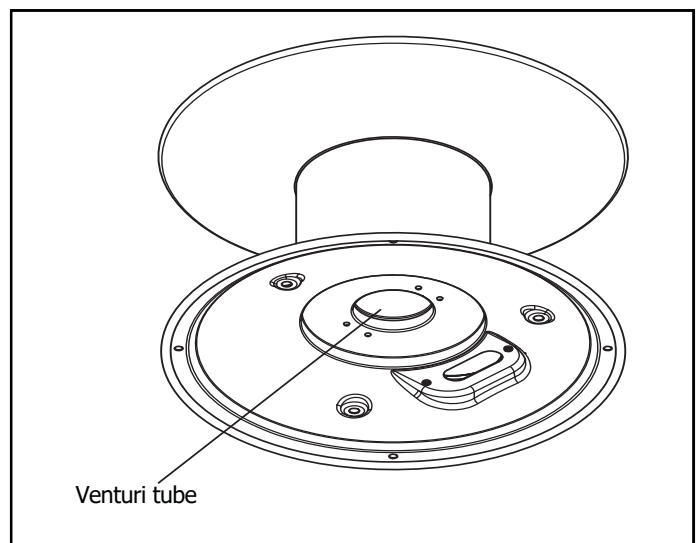


Fig. 6 - Conjunto del quemador

NUNCA DEJE DESATENDIDO EL CALEFACTOR MIENTRAS ESTÁ ENCENDIDO.

SOLUCIÓN DE PROBLEMAS

⚠️ ADVERTENCIA: Si percibe olor a gas:

- Cierre el suministro de gas.
- No intente encender el artefacto.
- No toque ningún interruptor eléctrico; no utilice ningún teléfono del edificio.
- Llame inmediatamente al proveedor de gas desde el teléfono de un vecino. Siga las instrucciones del proveedor de gas.
- Si no puede comunicarse con el proveedor de gas, llame al departamento de bomberos.

IMPORTANTE: Poner en funcionamiento el calefactor cuando hay impurezas en el aire podría causar olores. Los elementos de limpieza, las pinturas, los removedores de pintura, el humo del cigarrillo, el cemento y los pegamentos, las alfombras o telas nuevas, etc. generan humos. Estos humos se pueden mezclar con el aire de combustión y crear olores.

⚠️ ADVERTENCIA: Apague el calefactor y déjelo enfriar antes de repararlo. Solamente un técnico capacitado debe realizar el mantenimiento y la reparación del calefactor.

⚠️ PRECAUCIÓN: Nunca utilice un alambre, una aguja ni un objeto similar para limpiar el ODS/piloto. Esto puede dañar la unidad del ODS/piloto.

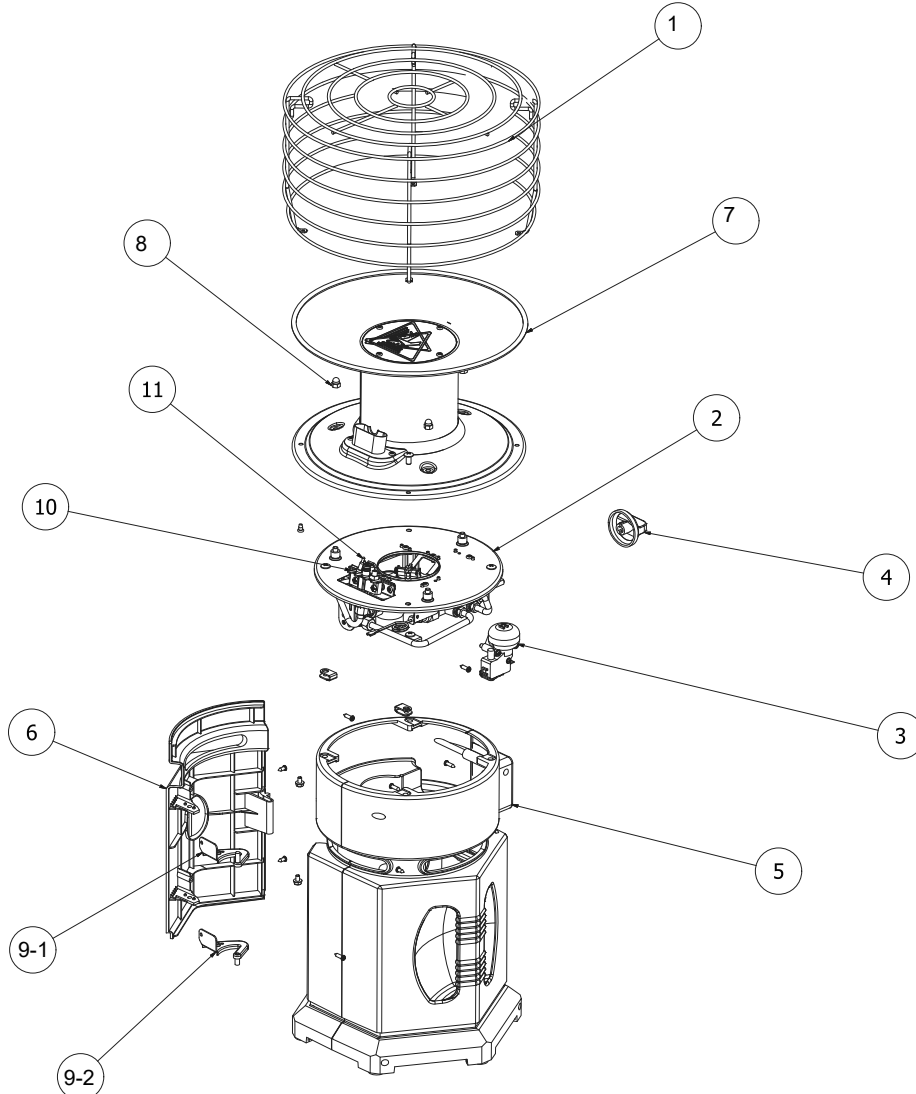
SOLUCIÓN DE PROBLEMAS

PROBLEMA	POSIBLE CAUSA	ACCIÓN CORRECTIVA
Cuando se gira la perilla del dispositivo de encendido, no hay chispas en el ODS/piloto.	<ol style="list-style-type: none"> 1. El electrodo del dispositivo de encendido está mal ubicado. 2. El electrodo del dispositivo de encendido está roto. 3. El electrodo del dispositivo de encendido no está conectado al cable del dispositivo. 4. El cable del dispositivo de encendido está aplastado o húmedo. 5. El cable del dispositivo de encendido está dañado. 	<ol style="list-style-type: none"> 1. Reemplace el electrodo. 2. Reemplace el electrodo. 3. Reemplace el cable del dispositivo de encendido. 4. Libere el cable del dispositivo de encendido si está aplastado debajo de un metal o una tubería. Mantenga seco el cable del dispositivo de encendido. 5. Reemplace el cable del dispositivo de encendido.
Cuando se gira la perilla del dispositivo de encendido, hay una chispa en el ODS/piloto, pero no se enciende.	<ol style="list-style-type: none"> 1. La válvula de cierre del tanque está cerrada. 2. La perilla de control no se presiona completamente al pulsar el botón del dispositivo de encendido. 3. Quedó aire en la tubería de gas cuando se instaló. 4. El ODS/piloto está obstruido. 5. La perilla de control no está en la posición PILOTO. 6. El suministro de gas (propano) está agotado. 	<ol style="list-style-type: none"> 1. Abra la válvula de suministro de gas. 2. Presione completamente la perilla de control al pulsar el botón del dispositivo de encendido. 3. Mantenga presionada la perilla de control. Repita el procedimiento de encendido hasta que se elimine el aire. 4. Limpie el ODS/piloto (consulte Cuidado y mantenimiento, página 22) o reemplace el conjunto del ODS/piloto. 5. Gire la perilla de control a la posición PILOTO. 6. Compre un tanque nuevo o recargue el tanque de 20 lb.
El ODS/piloto se enciende, pero la llama se apaga cuando se suelta la perilla de control.	<ol style="list-style-type: none"> 1. La perilla de control no está bien presionada. 2. La perilla de control no se mantiene presionada lo suficiente. 3. La válvula de cierre del equipo no está completamente abierta. 4. La conexión de la termocupla está floja. 5. La termocupla está dañada. 6. La válvula de control está dañada. 	<ol style="list-style-type: none"> 1. Presione completamente la perilla de control. 2. Una vez que el ODS/piloto se encienda, mantenga presionada la perilla de control durante 30 segundos. 3. Abra completamente la válvula de cierre del equipo. 4. Ajuste con la mano hasta que quede bien apretada y luego ajuste ¼ giro más. 5. Reemplace la termocupla. 6. Comuníquese con el servicio al cliente.
Los quemadores no se encienden después de encender el ODS/piloto.	<ol style="list-style-type: none"> 1. El orificio del quemador está obstruido. 2. El diámetro del orificio del quemador es demasiado pequeño. 3. La presión del gas de entrada es demasiado baja. 	<ol style="list-style-type: none"> 1. Limpie el orificio del quemador (consulte Cuidado y mantenimiento, página 22) o comuníquese con el servicio al cliente. 2. Comuníquese con el servicio al cliente. 3. Cambie los tanques.

NUNCA DEJE DESATENDIDO EL CALEFACTOR MIENTRAS ESTÁ ENCENDIDO.

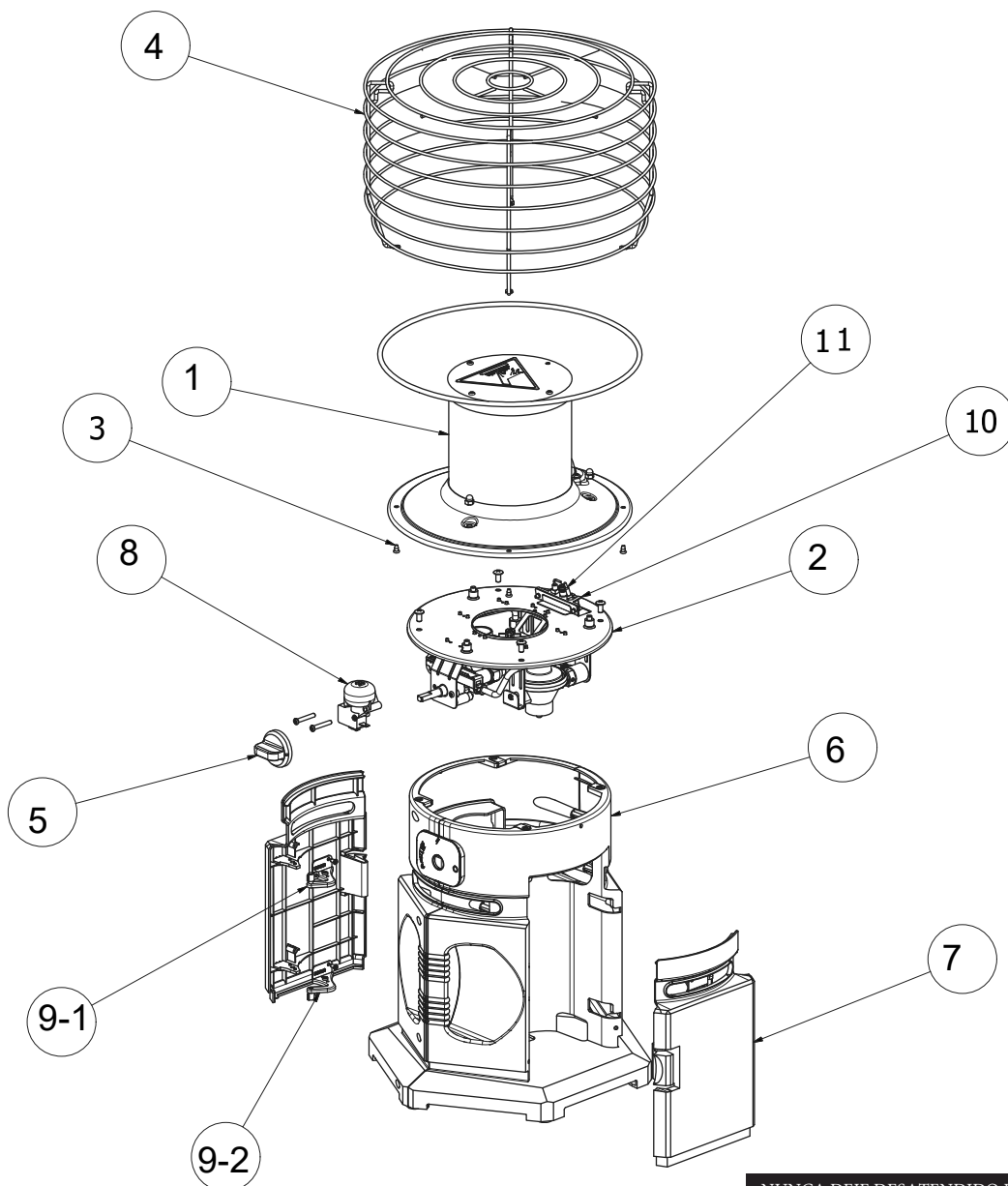
PROBLEMA	POSIBLE CAUSA	ACCIÓN CORRECTIVA
El quemador hace explosiones durante la combustión.	<ol style="list-style-type: none"> 1. El orificio del quemador está obstruido o dañado. 2. El quemador está dañado. 3. El regulador de gas está dañado. 	<ol style="list-style-type: none"> 1. Limpie el orificio del quemador (consulte Cuidado y mantenimiento, página 22) o comuníquese con el servicio al cliente. 2. Comuníquese con el distribuidor o el servicio al cliente. 3. Reemplace el regulador de gas.
La llama es alta y amarilla durante la combustión del quemador.	<ol style="list-style-type: none"> 1. No hay suficiente aire. 2. El regulador de gas tiene un defecto. 3. La temperatura del exterior es demasiado baja. 	<ol style="list-style-type: none"> 1. Verifique que no haya suciedad ni desechos en el quemador. En este caso, limpie el quemador (consulte Cuidado y mantenimiento, página 22). 2. Reemplace el regulador de gas. 3. Compre un tanque nuevo o recargue el tanque de 20 lb.
Hay olor a gas durante la combustión.	<ol style="list-style-type: none"> 1. Hay una materia extraña entre la válvula de control y el quemador. 2. Hay fuga de gas. (Consulte la advertencia de la página 16). 	<ol style="list-style-type: none"> 1. Desmonte la tubería de gas y extraiga la materia extraña. 2. Localice y corrija todas las fugas.
El calentador produce un ruido de chasquido inmediatamente después de encender o apagar el quemador.	<ol style="list-style-type: none"> 1. El metal se expande al calentarse y se contrae al enfriarse. 	<ol style="list-style-type: none"> 1. Esto es común en la mayoría de los calefactores. Si el ruido es excesivo, comuníquese con un técnico capacitado.
El calentador se apaga cuando está en uso (se activa el ODS).	<ol style="list-style-type: none"> 1. No hay suficiente aire fresco. 2. La presión en la tubería es baja. 3. El ODS/piloto está parcialmente obstruido. 	<ol style="list-style-type: none"> 1. Abra una ventana y/o una puerta para que haya ventilación. 2. Comuníquese con el proveedor de gas local. 3. Limpie el ODS/piloto (consulte Cuidado y mantenimiento, página 22).
Hay olor a gas aunque la perilla de control está en posición APAGADO.	<ol style="list-style-type: none"> 1. Hay fuga de gas. Consulte la advertencia de la página 30. 2. La válvula de control está dañada. 	<ol style="list-style-type: none"> 1. Localice y corrija todas las fugas (consulte "Verificación de las conexiones de gas", página 18). 2. Comuníquese con el servicio al cliente.
Se observa humedad/condensación en las ventanas.	<ol style="list-style-type: none"> 1. No hay suficiente aire de combustión/ventilación. 	<ol style="list-style-type: none"> 1. Consulte los requisitos de "Aire para combustión y ventilación", página 18.
Hay un poco de humo u olor cuando se enciende por primera vez.	<ol style="list-style-type: none"> 1. Residuos del proceso de fabricación. 	<ol style="list-style-type: none"> 1. El problema se solucionará después de unas horas de funcionamiento.

ITEM	QTY	PPH360-10	DESCRIPTION
1	1	23-5410	Guardia de alambre
2	1	LLAME PARA INFORMACION	Montaje del Tren de Gas
3	1	KW-16B	Interruptor de punta
4	1	23-1708	Perilla de control
5	1	LLAME PARA INFORMACION	Conjunto de base de plástico
6	1	LLAME PARA INFORMACION	Puerta
7	1	23-0110	Montaje del quemador
8	N/A	23-6008	Kit de hardware (incluye todo el hardware para ensamblar la unidad)
9-1	1	LLAME PARA INFORMACION	Bisagra de puerta superior
9-2	1	LLAME PARA INFORMACION	Conjunto de bisagra, inferior
10	1	23-3010	Conjunto piloto LP ODS.
11	1	LLAME PARA INFORMACION	Par termoeléctrico



NUNCA DEJE DESATENDIDO EL CALEFACTOR MIENTRAS ESTÁ ENCENDIDO.

ITEM	QTY	PPH360-18	DESCRIPTION
1	1	23-0118	Rejilla de protección
2	1	Call for Imforamtion	Montaje del Tren de Gas
3	N/A	23-6008	juego de herrajes
4	1	23-5418	Guardia de alambre
5	1	23-1708	Perilla de control
6	1	Call for Imforamtion	Conjunto de base de plástico
7	2	Call for Imforamtion	Puerta
8	1	23-6461	Interruptor de punta
9-1	2	Call for Imforamtion	Bisagra de puerta superior
9-2	2	Call for Imforamtion	Conjunto de bisagra, inferior
10	1	23-3018	Conjunto piloto LP ODS.
11	1	Call for Imforamtion	Par termoeléctrico



NUNCA DEJE DESATENDIDO EL CALEFACTOR MIENTRAS ESTÁ ENCENDIDO.



GARANTÍA LIMITADA:

Esta garantía limitada se extiende al comprador minorista original de este calentador de aire forzado/convección/radiante y garantiza contra cualquier defecto en materiales y mano de obra por un período de un (1) año a partir de la fecha de venta minorista. World Marketing of America, Inc. (WMAI), a su elección, proporcionará piezas de repuesto o reemplazará o reparará la unidad, cuando se devuelva correctamente al minorista donde se compró o a uno de nuestros centros de servicio según lo indique WMAI dentro de un (1) año, de compra al por menor. (Los gastos de envío, mano de obra, etc. corren a cargo del comprador).

DEBERES DEL PROPIETARIO:

Este aparato de calefacción debe operarse de acuerdo con las instrucciones escritas provistas con este calentador. Esta garantía no excusará al propietario de mantener adecuadamente este calentador de acuerdo con las instrucciones escritas provistas con este calentador. Se debe mantener una factura de venta, un cheque cancelado o un registro de pago para verificar la fecha de compra y establecer el período de garantía. La caja original debe conservarse en caso de devolución de garantía de la unidad.

LO QUE NO ESTÁ CUBIERTO:

1. Daños resultantes del uso de combustible inadecuado.
2. Daños causados por mal uso o uso contrario al manual del propietario y las pautas de seguridad.
3. Daños causados por falta de mantenimiento normal.
4. Uso de piezas o accesorios no estándar.
5. Daños causados en tránsito. Los gastos de flete de las piezas o calentadores en garantía hacia y desde la fábrica serán responsabilidad del propietario.

Esta garantía no implica ni asume ninguna responsabilidad por daños consecuentes que puedan resultar del uso, mal uso o la falta de mantenimiento de rutina de este aparato de calefacción. Se puede cobrar una tarifa de limpieza y el costo de las piezas por fallas en el aparato que resulten de la falta de mantenimiento. Esta garantía no cubre reclamos que no involucren mano de obra o materiales defectuosos. LA FALTA DE REALIZACIÓN DEL MANTENIMIENTO GENERAL (INCLUIDA LA LIMPIEZA) ANULARÁ ESTA GARANTÍA.

ESTA GARANTÍA LIMITADA SE OTORGA AL COMPRADOR EN LUGAR DE TODAS LAS DEMÁS GARANTÍAS, EXPLÍCITAS O IMPLÍCITAS, INCLUIDAS, ENTRE OTRAS, LAS GARANTÍAS DE COMERCIABILIDAD O IDONEIDAD PARA UN PROPÓSITO EN PARTICULAR. EL RECURSO PROPORCIONADO EN ESTA GARANTÍA ES EXCLUSIVO Y SE CONCEDE EN LUGAR DE TODOS LOS DEMÁS RECURSOS. EN NINGÚN CASO WMAI. SER RESPONSABLE POR DAÑOS INCIDENTALES O CONSECUENTES.

Algunos estados no permiten limitaciones sobre la duración de una garantía implícita, por lo que es posible que la limitación anterior no se aplique a usted. Algunos estados no permiten la exclusión o limitación de daños incidentales o consecuentes, por lo que es posible que la limitación o exclusión anterior no se aplique a usted.

LAS RECLAMACIONES SE GESTIONAN DE LA SIGUIENTE MANERA:

1. Póngase en contacto con su distribuidor y explíquelo el problema.
2. Si el minorista no puede resolver el problema, comuníquese con nuestro Departamento de Servicio al Cliente detallando el modelo de calentador, el problema y el comprobante de la fecha de compra.
3. Un representante se comunicará con usted. NO DEVUELVA EL CALENTADOR A WMAI a menos que se lo indique nuestro representante. Esta garantía le otorga derechos legales específicos y también puede tener otros derechos que varían de un estado a otro.

PARA REGISTRAR LA GARANTÍA DE SU CALENTADOR, POR FAVOR LLENE ESTA TARJETA COMPLETAMENTE Y ENVÍE POR CORREO DENTRO DE LOS 14 DÍAS A PARTIR DE LA FECHA DE COMPRA O REGÍSTRESE EN LÍNEA EN www.worldmktg.com

NOMBRE: _____ TELÉFONO: () _____ CORREO ELECTRÓNICO: _____
DIRECCIÓN: _____ CIUDAD: _____ ESTADO: _____ CÓDIGO POSTAL: _____
MODELO: _____ N° DE SERIE: _____ FECHA DE COMPRA: _____ DISTRIBUIDOR
EN EL QUE SE COMPRÓ: _____ TIPO DE TIENDA: _____ CIUDAD Y ESTADO DONDE
SE COMPRÓ: _____ PRECIO PAGADO: _____

Por favor, tómese un minuto para responder las siguientes preguntas:

Todas las respuestas son usadas con propósitos de investigación de mercado y se conservan en estricta confidencialidad.

- ¿Quién decidió realizar esta compra? Hombre Mujer 18-24 25-39 40-59 60+
- ¿Ocupación? Labores del hogar Operador/trabajador/obrero Profesional Servicios Personal de oficina
 Retirado Estudiante Otro _____
- ¿Ingreso del hogar? Menos de \$20 000 \$20-39,000 \$40-59,000 \$60-79,000 \$80,000+
- ¿Cómo se enteró de este aparato? Exhibición en una tienda Anuncio en periódico Anuncio en revista
 Amigo/pariente Anuncio publicitario en TV Vendedor de la tienda Otro _____
- ¿Qué influyó sobre su decisión de elegir este aparato? Estilo Tamaño/portabilidad Durabilidad
 Garantía Empaque Otro _____
- Especifique si usted: Es propietario Es inquilino

¿Recomendaría este calefactor a un amigo? Sí No

Por favor, escriba aquí sus comentarios. _____

REGISTRO DE GARANTÍA

IMPORTANTE: Le recomendamos que complete su tarjeta de registro de garantía dentro de los catorce (14) días posteriores a la fecha de compra. También puede registrar su garantía en Internet en www.worldmkting.com. Complete el número de serie completo. Conserve esta parte de la tarjeta para sus registros.

World Marketing of America, Inc.

PO Box 192

Mill Creek PA 17060-0192

Tel) 1-814-643-1775

www.worldmkting.com

¡GUARDE ESTA TARJETA!

Coloque aquí
el sello postal

World Marketing of America, Inc.

PO Box 192

Mill Creek PA 17060-0192