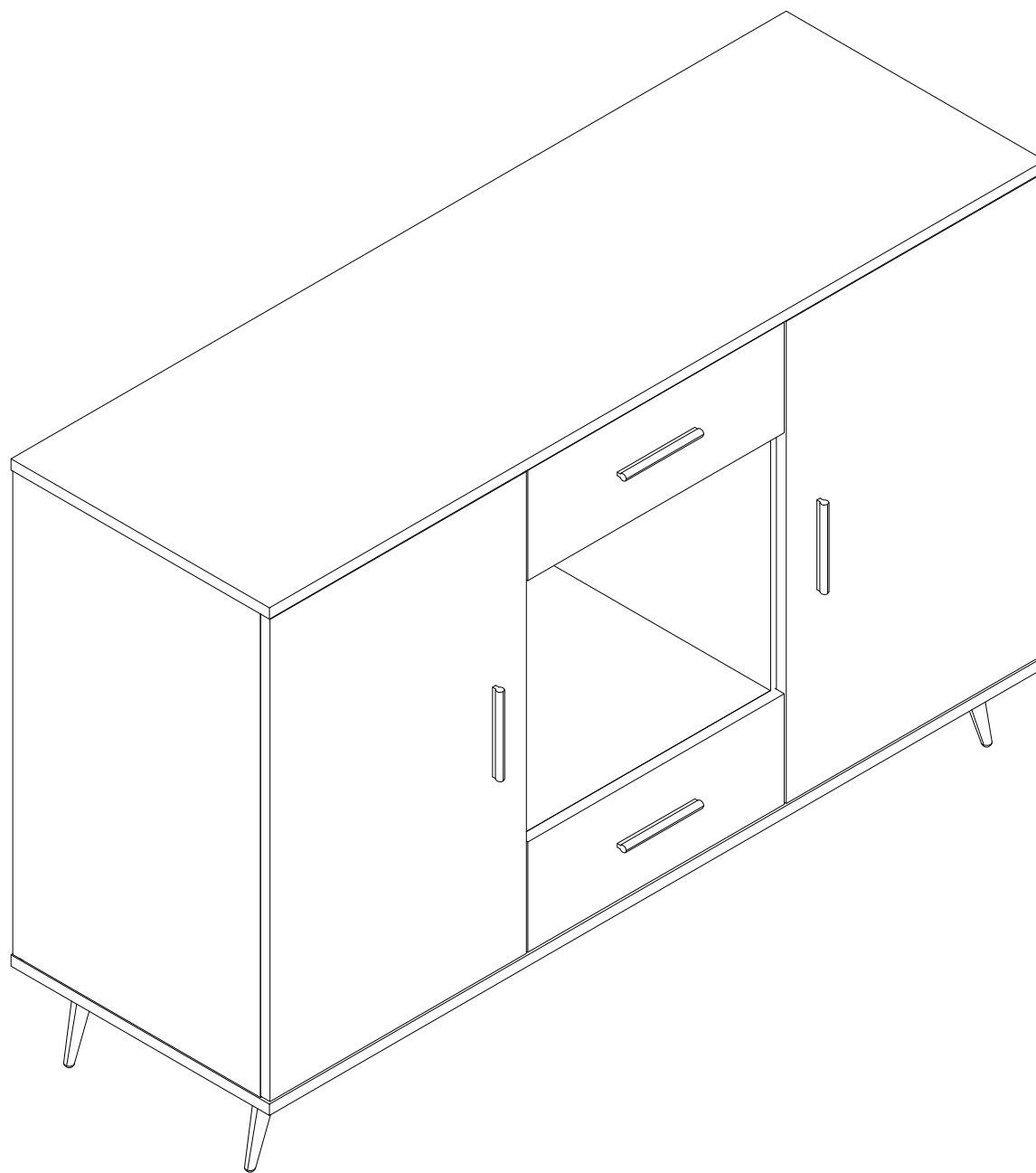
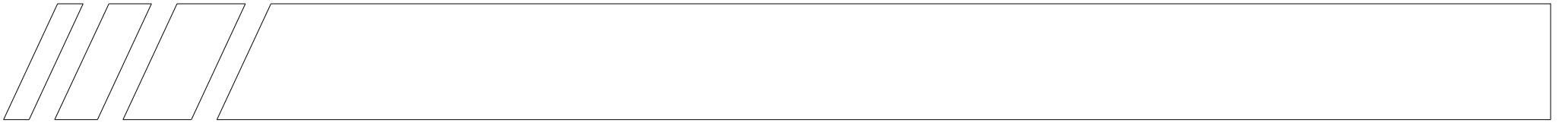


ASSEMBLY INSTRUCTIONS

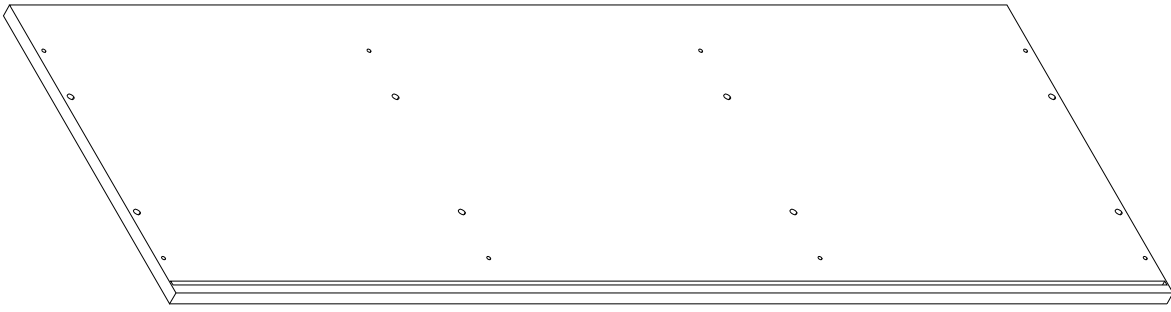


Notice:

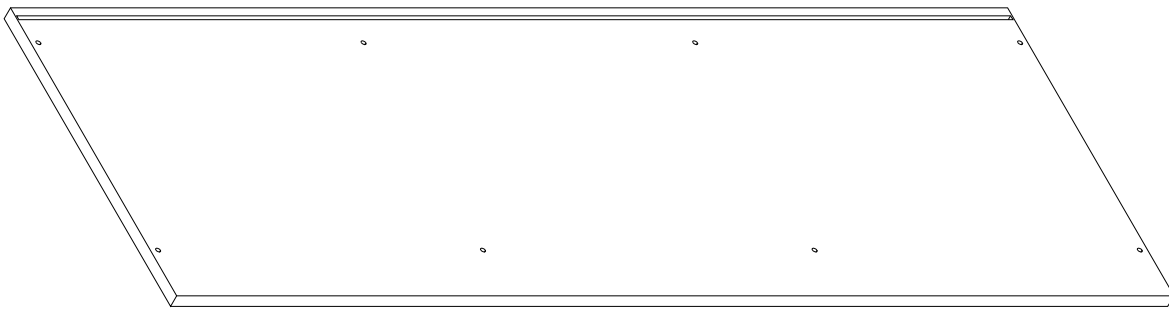
1. Follow the installation instructions. Please confirm all accessories are preset before installation.
2. Do not fully tighten the screws during initial assembly, Fully tighten screws only once all pieces
3. If you encounter any problems during installation, please contact our customer service



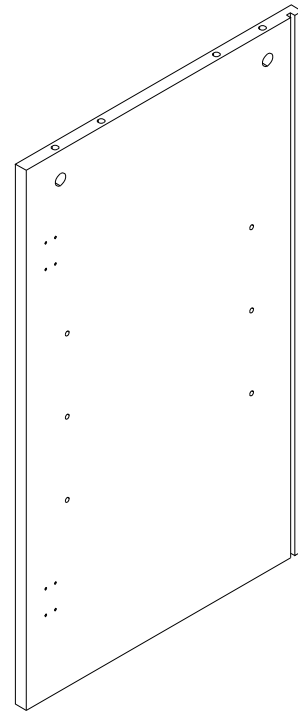
1



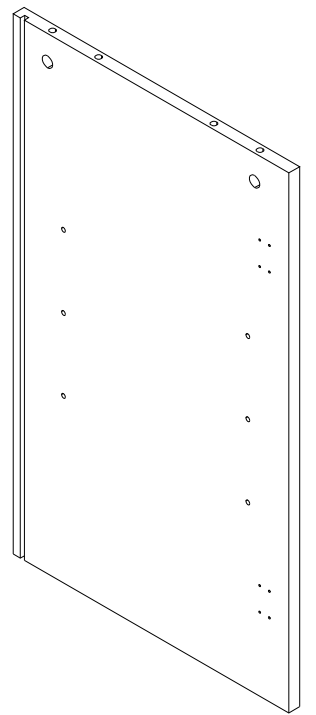
2



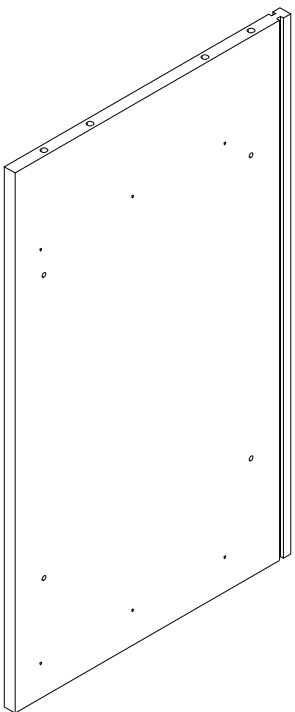
3



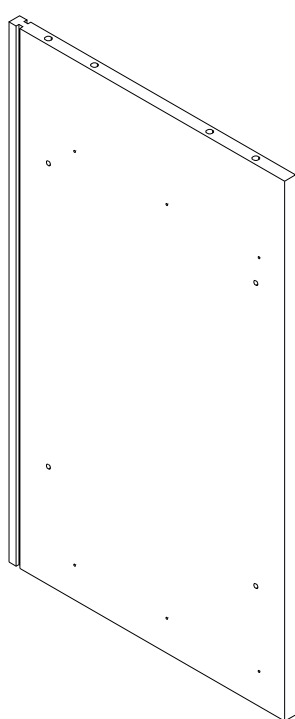
4



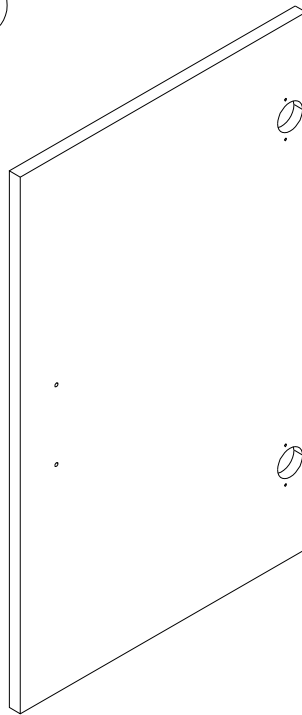
5



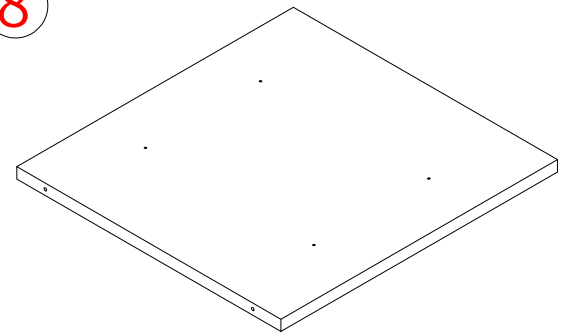
6



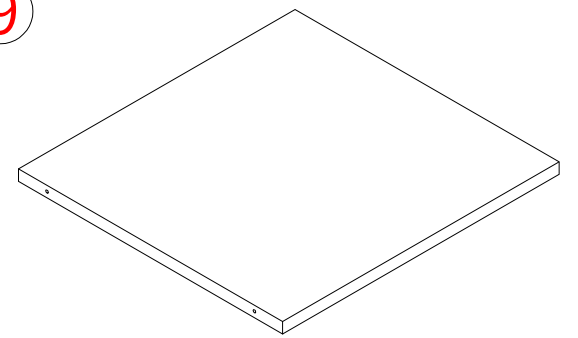
7



8

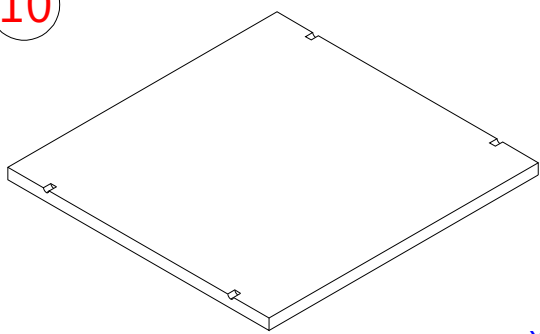


9



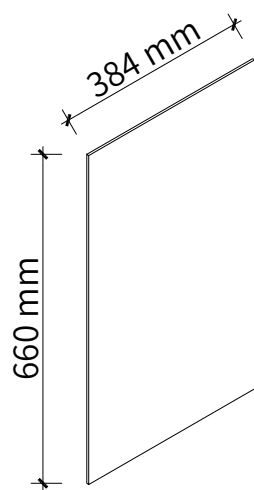
x2

10



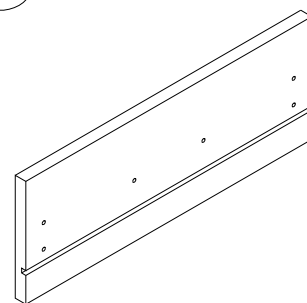
x2

12



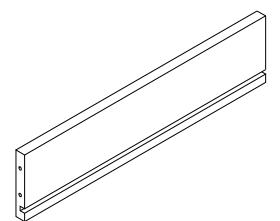
x2

13



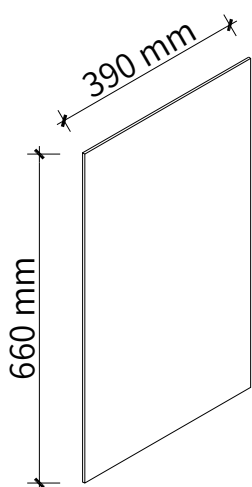
x2

14

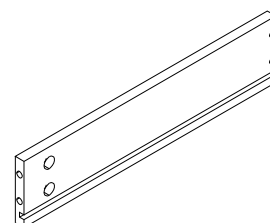


x2

11

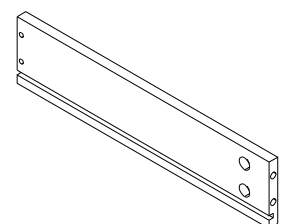


15

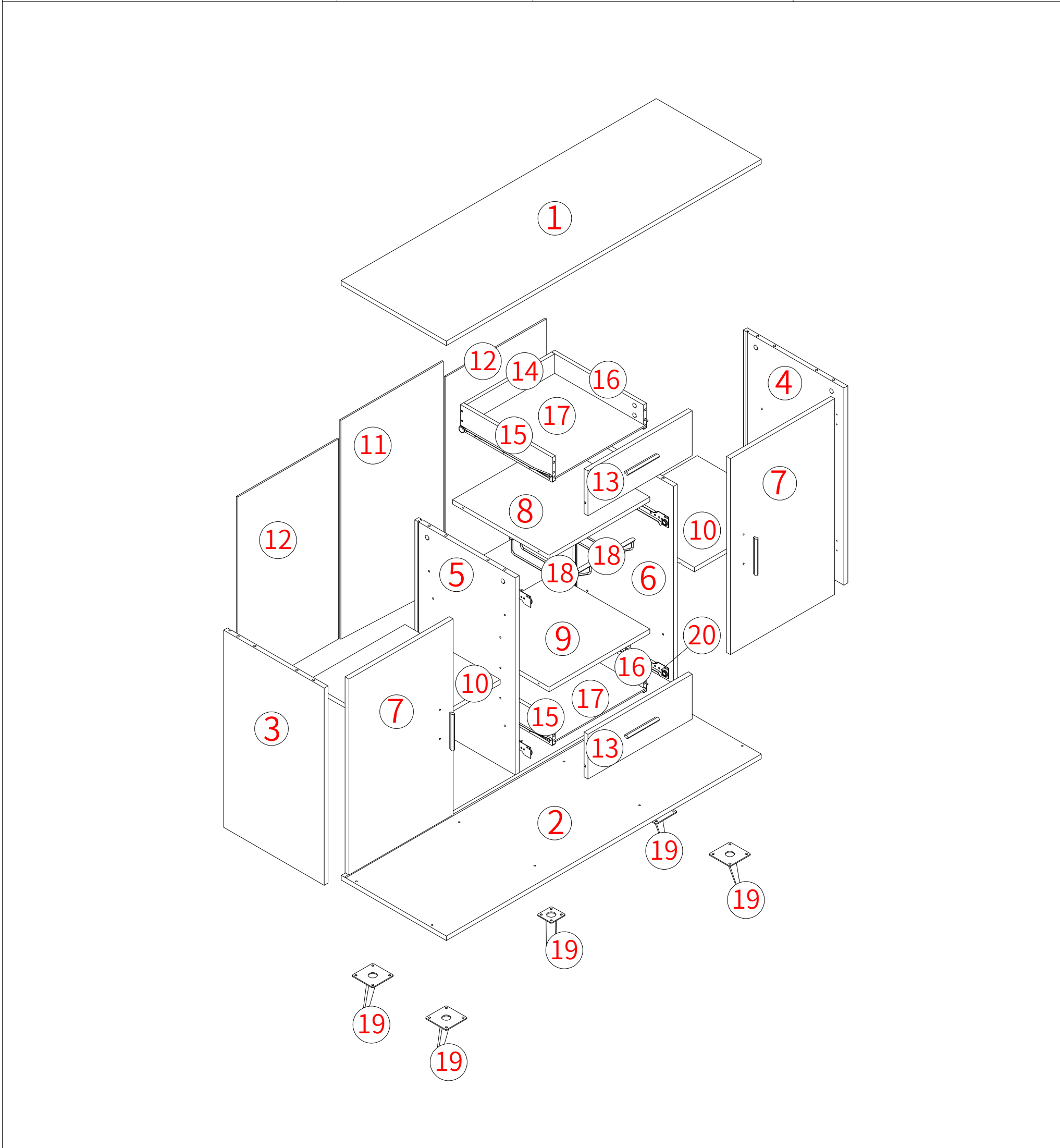
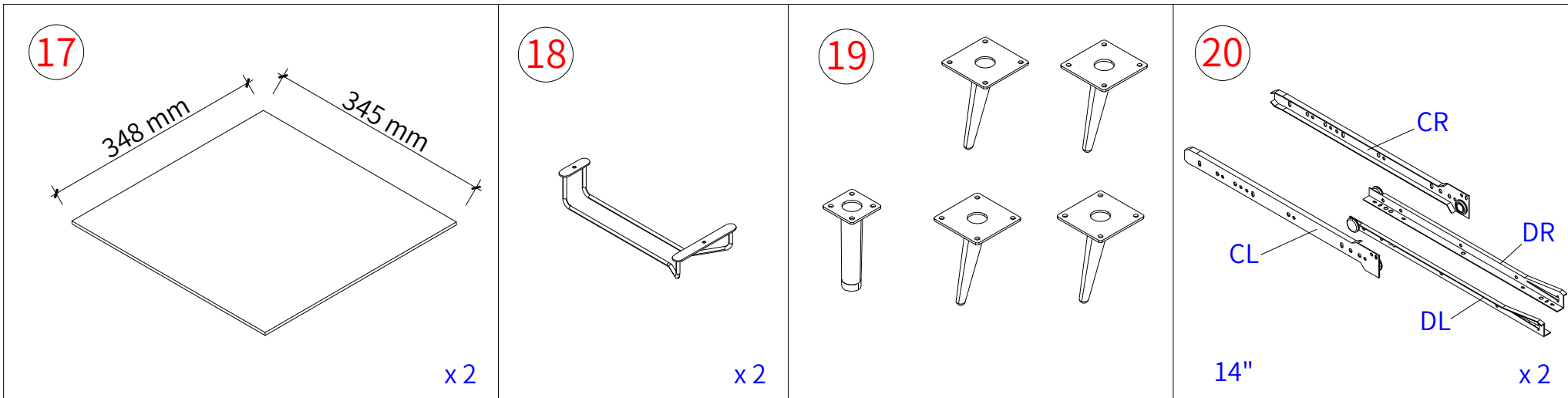
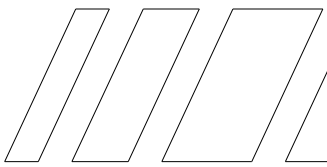


x2

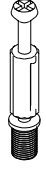

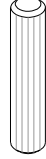


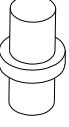
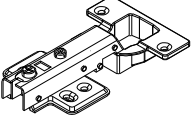
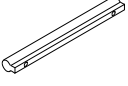
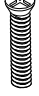
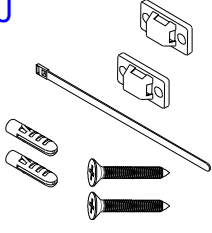
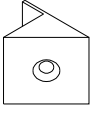
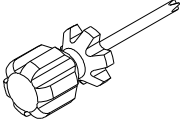
16



x2

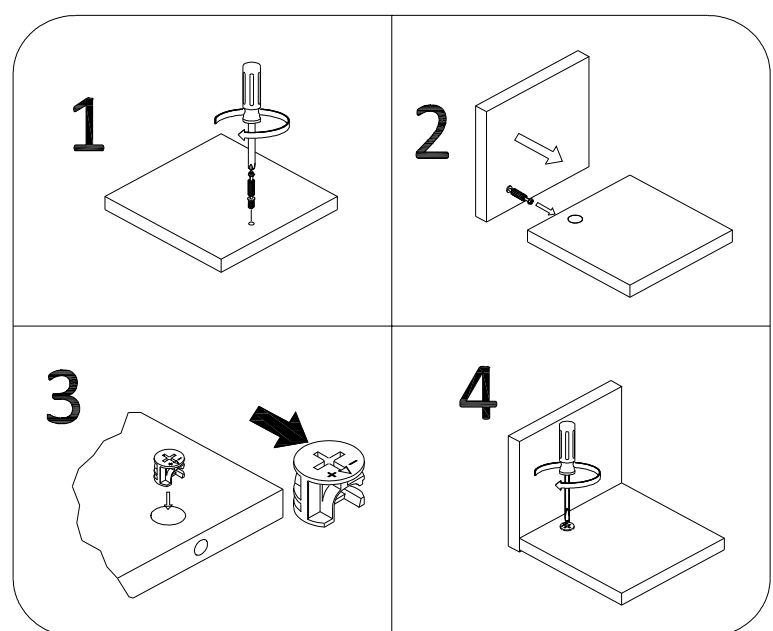
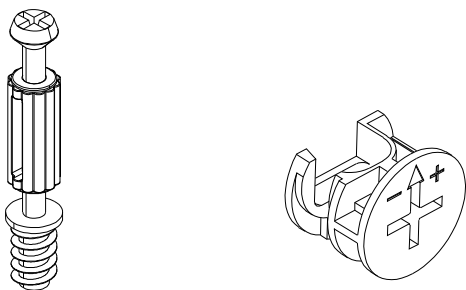




A M6x42  16 PCS	B Ø15x10  16 PCS	C Ø8x40  8 PCS	D M3.5x14  80 PCS	E M5x40  24PCS	F Ø5  8 PCS	G WG  4 PCS
H M4x96  4 PCS	I M4x18  8 PCS	J  2 SETS	K  12 PCS	 1 PCS		

Cam Lock Fastening System

This Cam Lock Fastening System will be used throughout the assembly process

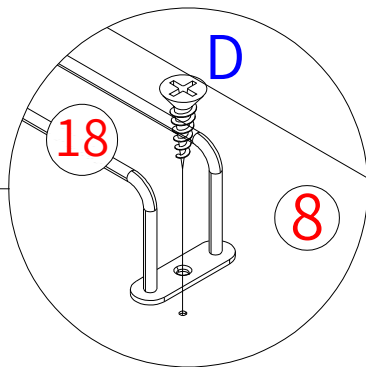
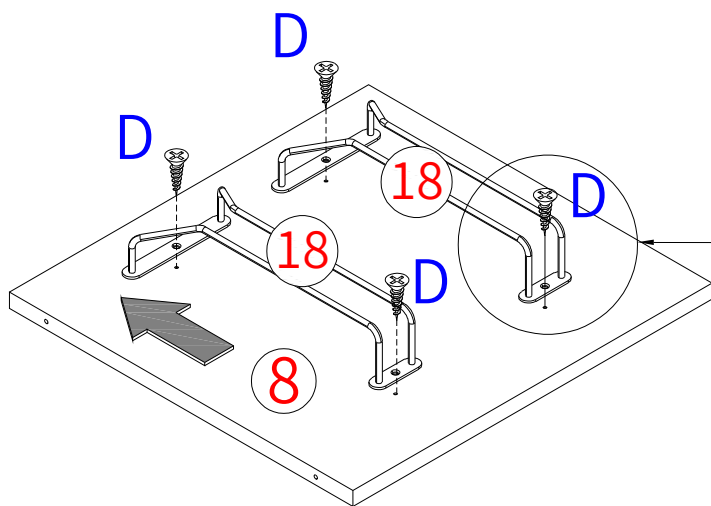
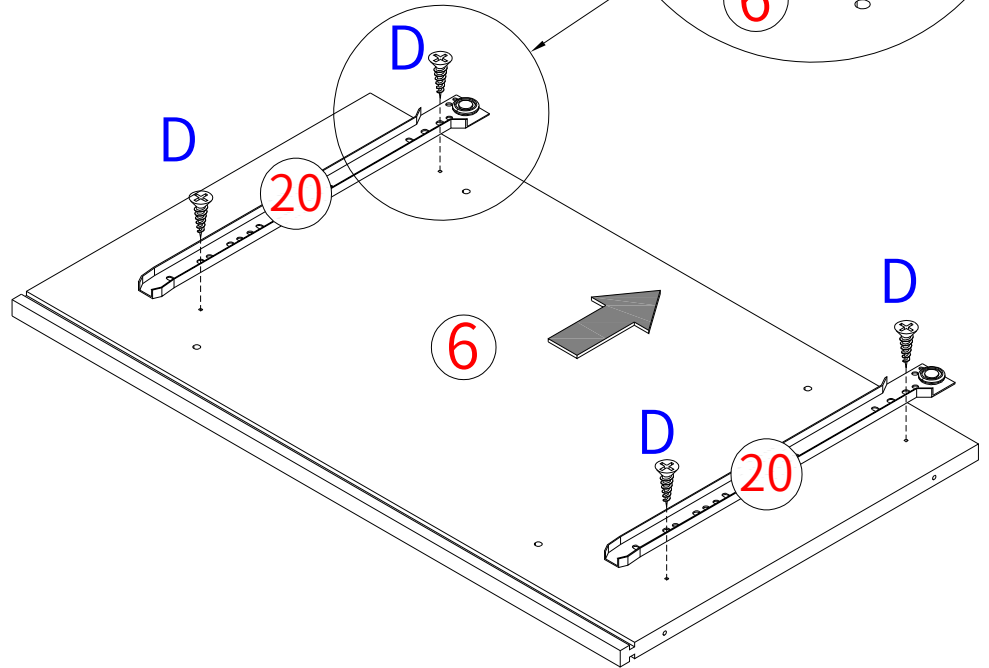
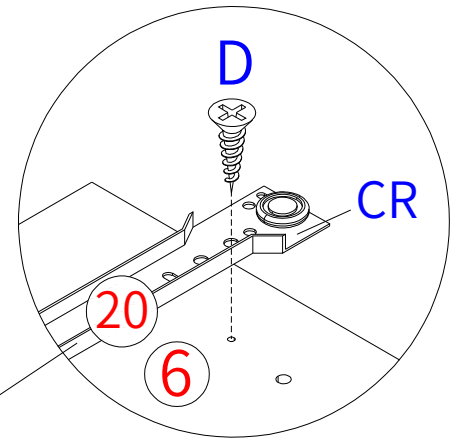
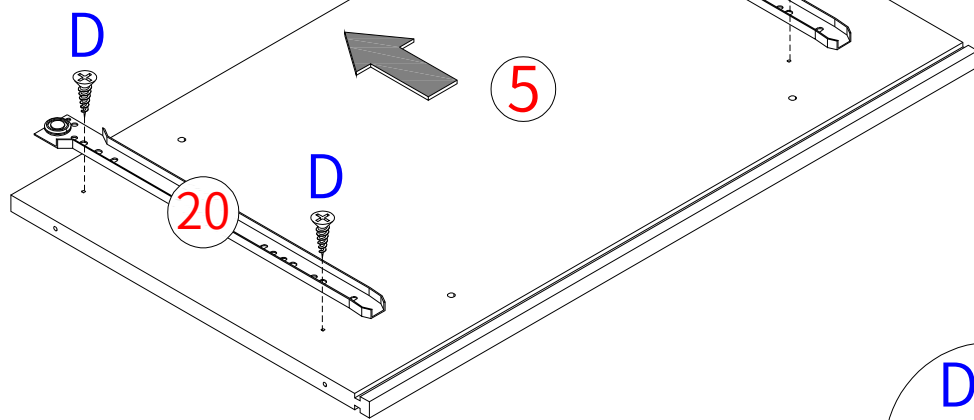
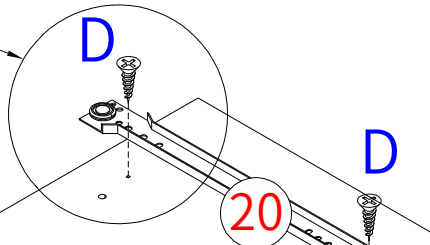
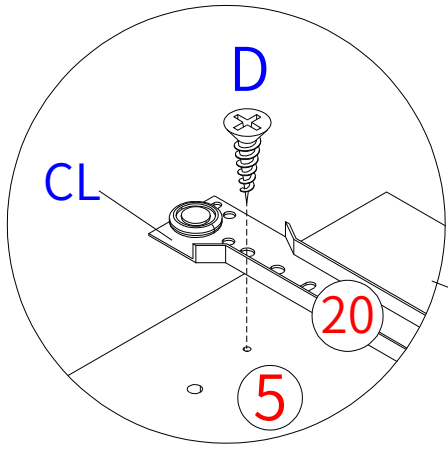


1

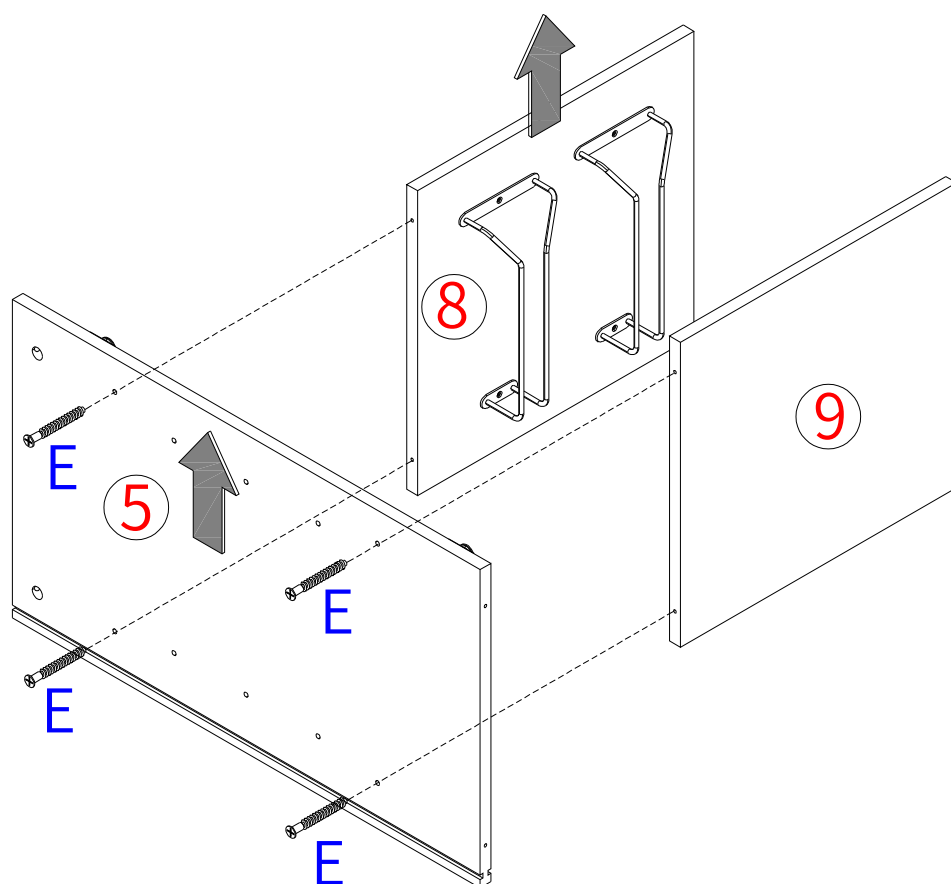
D M3.5x14



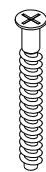
12 PCS



2

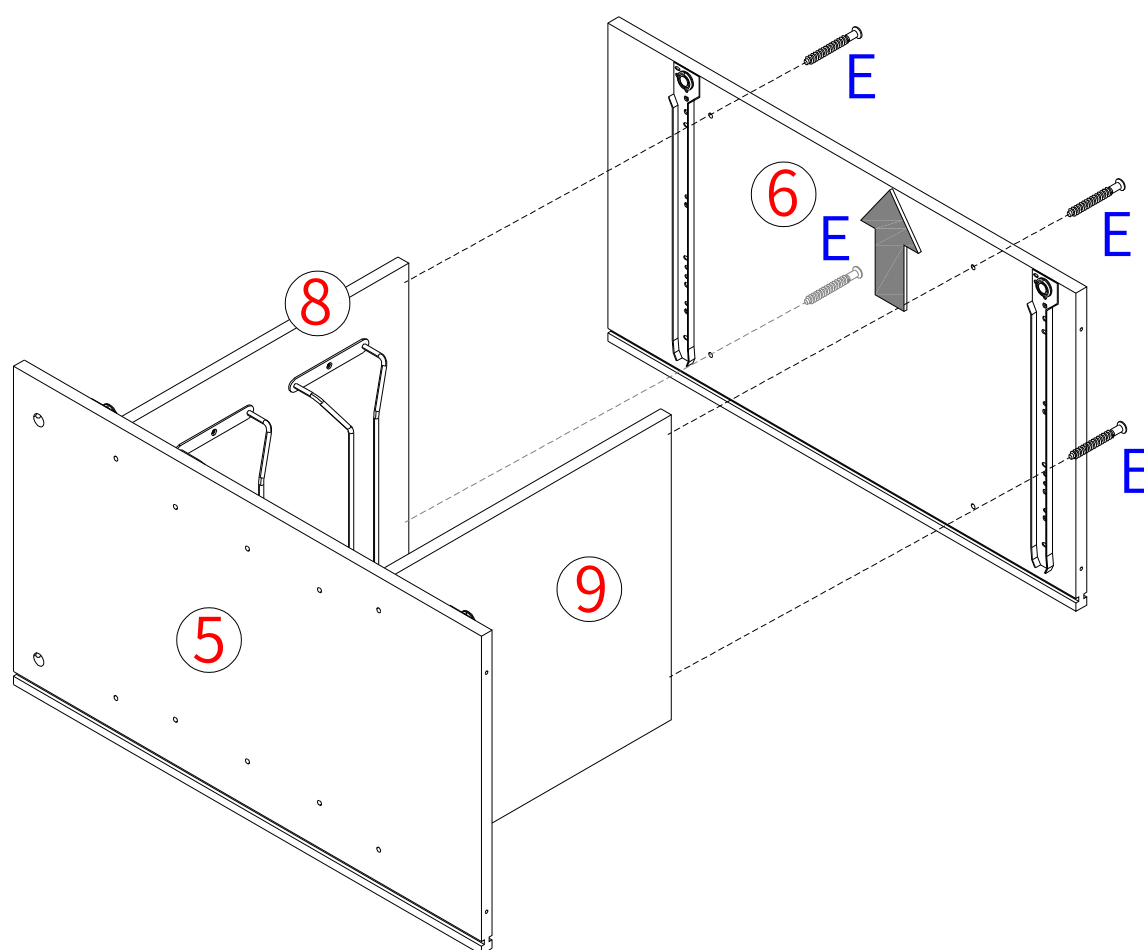


E M5x40



4PCS

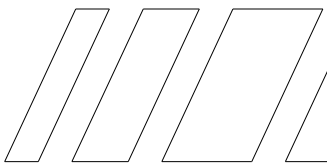
3



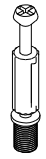

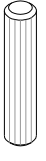
E M5x40

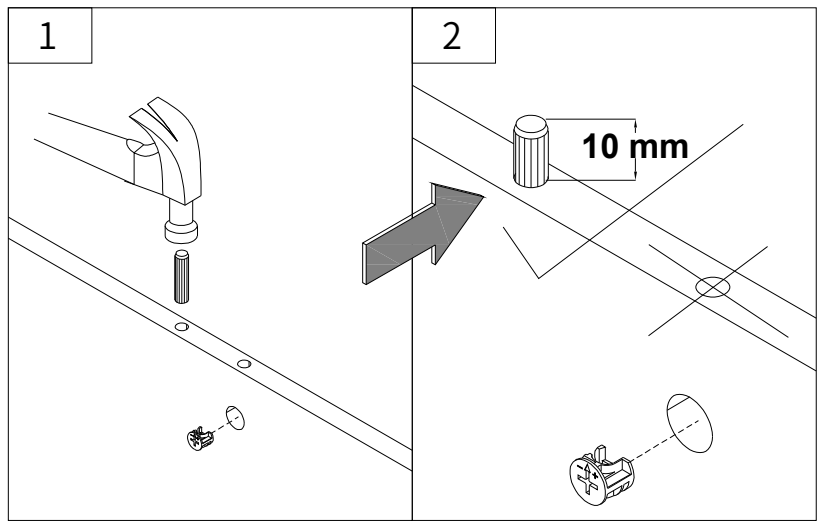
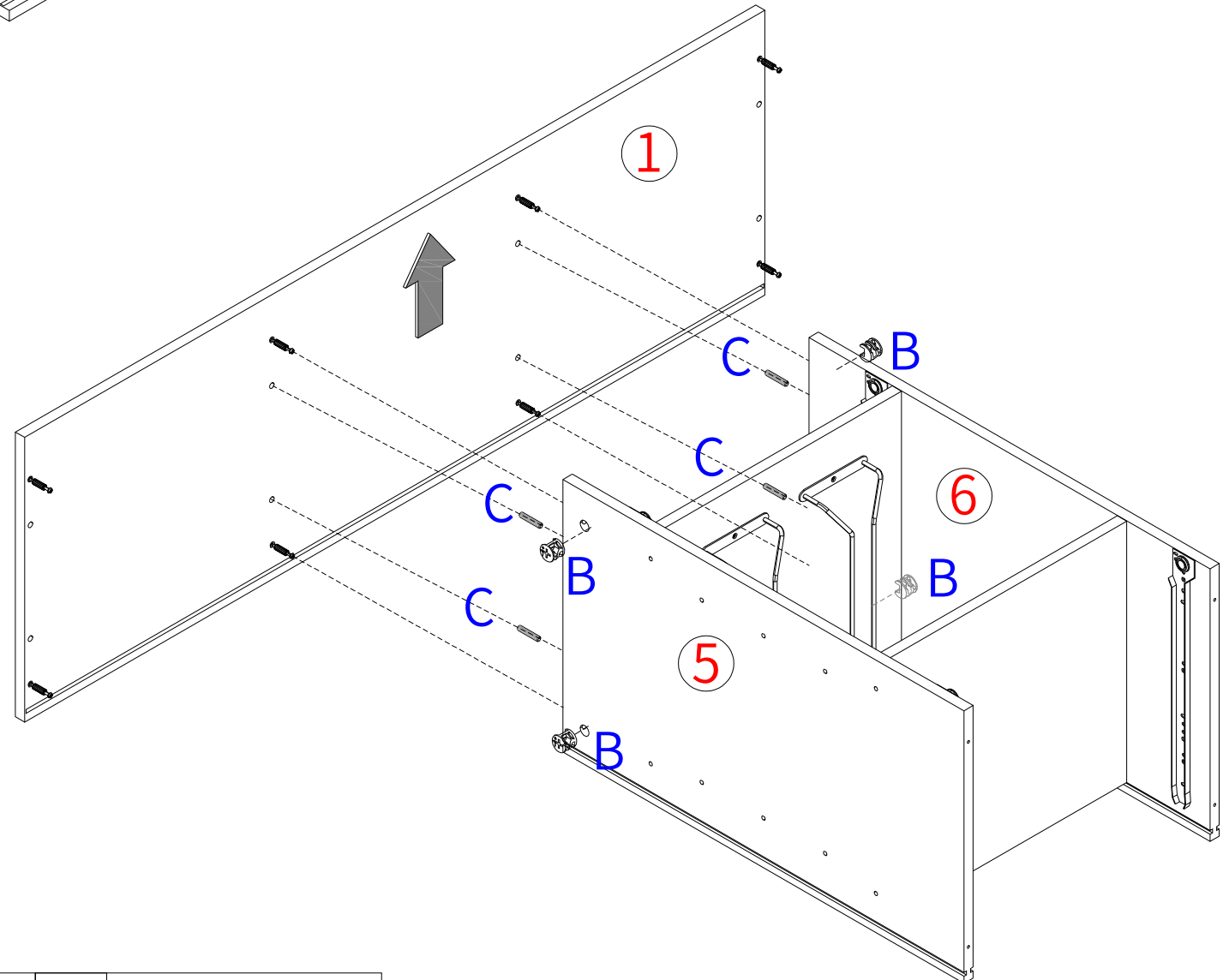
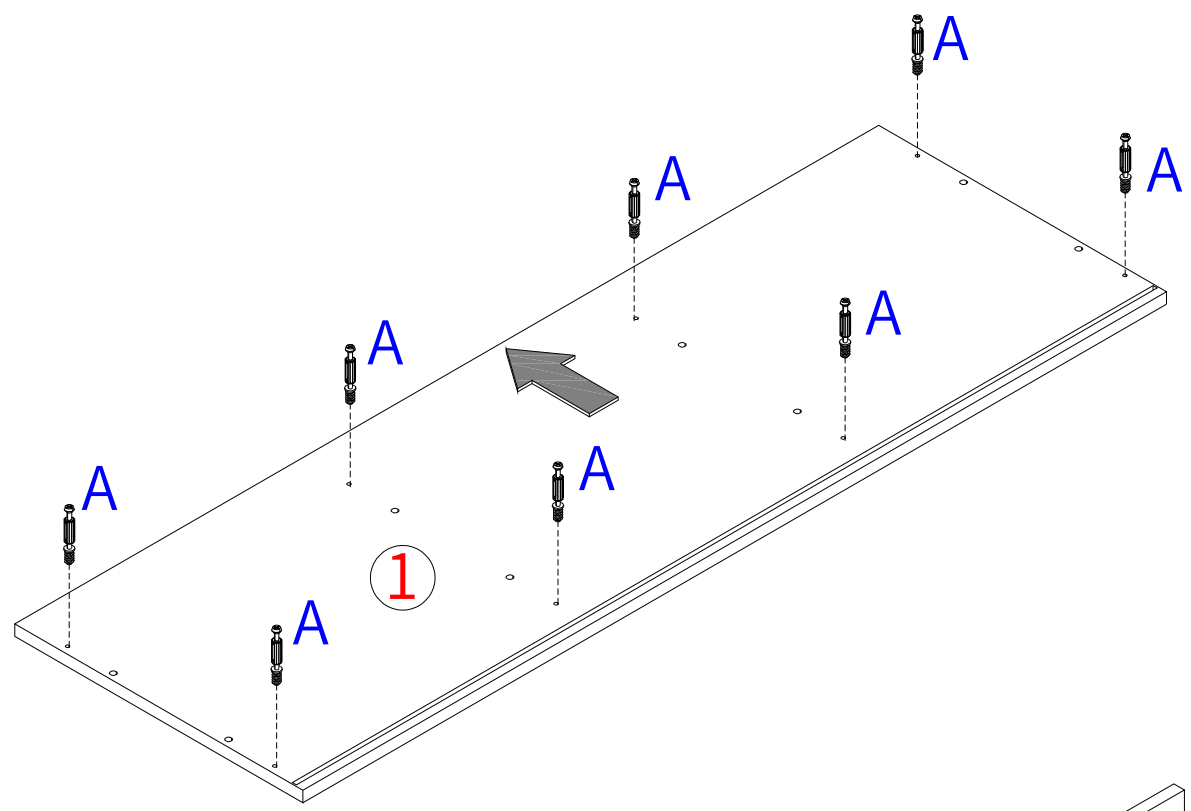


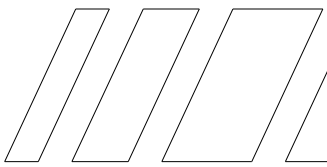
4 PCS



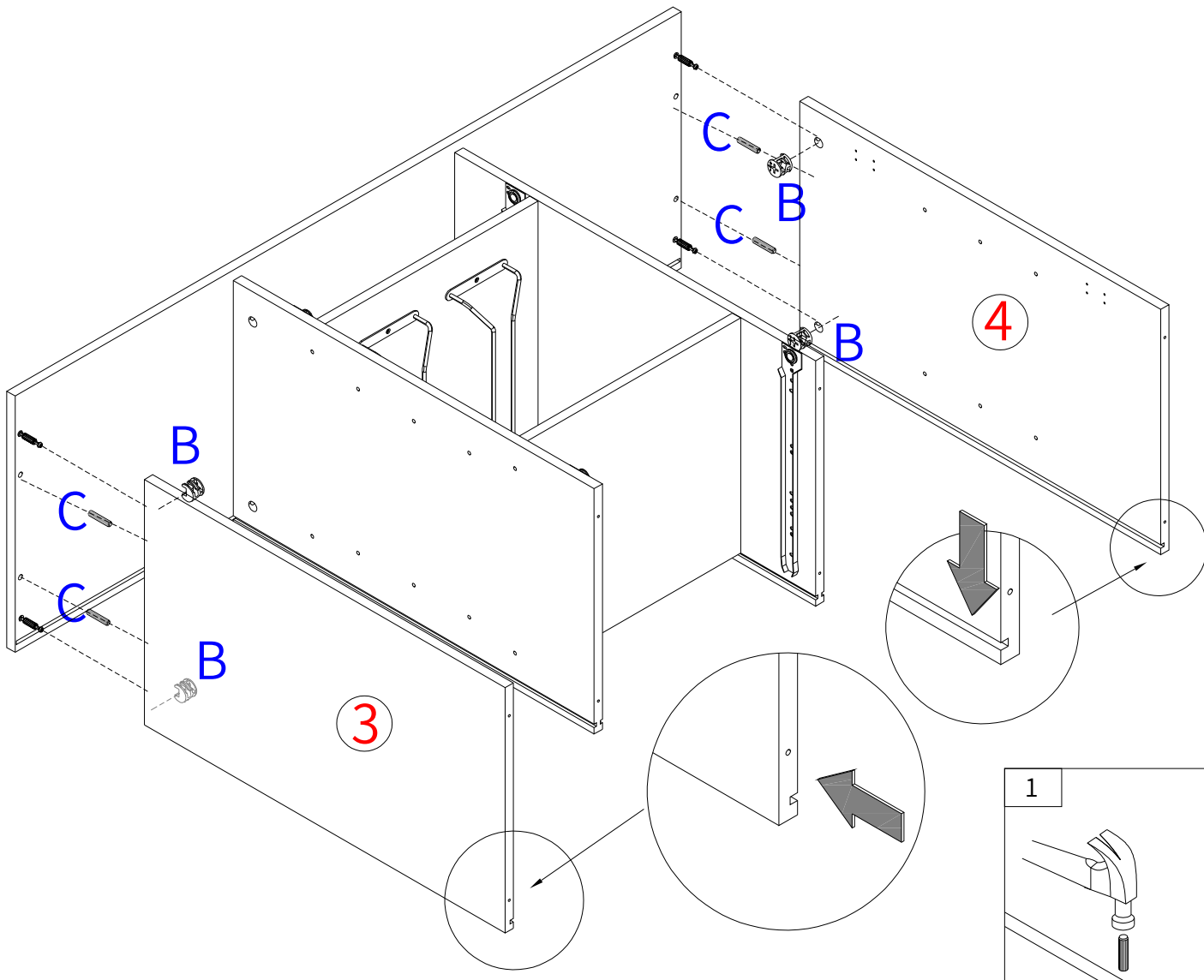
4

A M6x42  8 PCS	B Ø15x10  4 PCS
	C Ø8x40  4 PCS





5

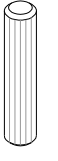


B Ø15x10

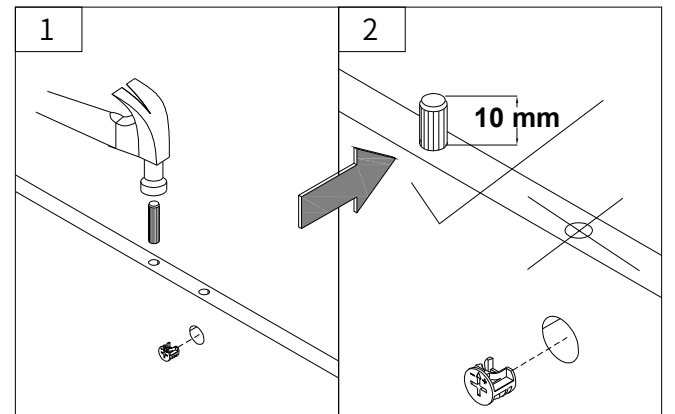


4 PCS

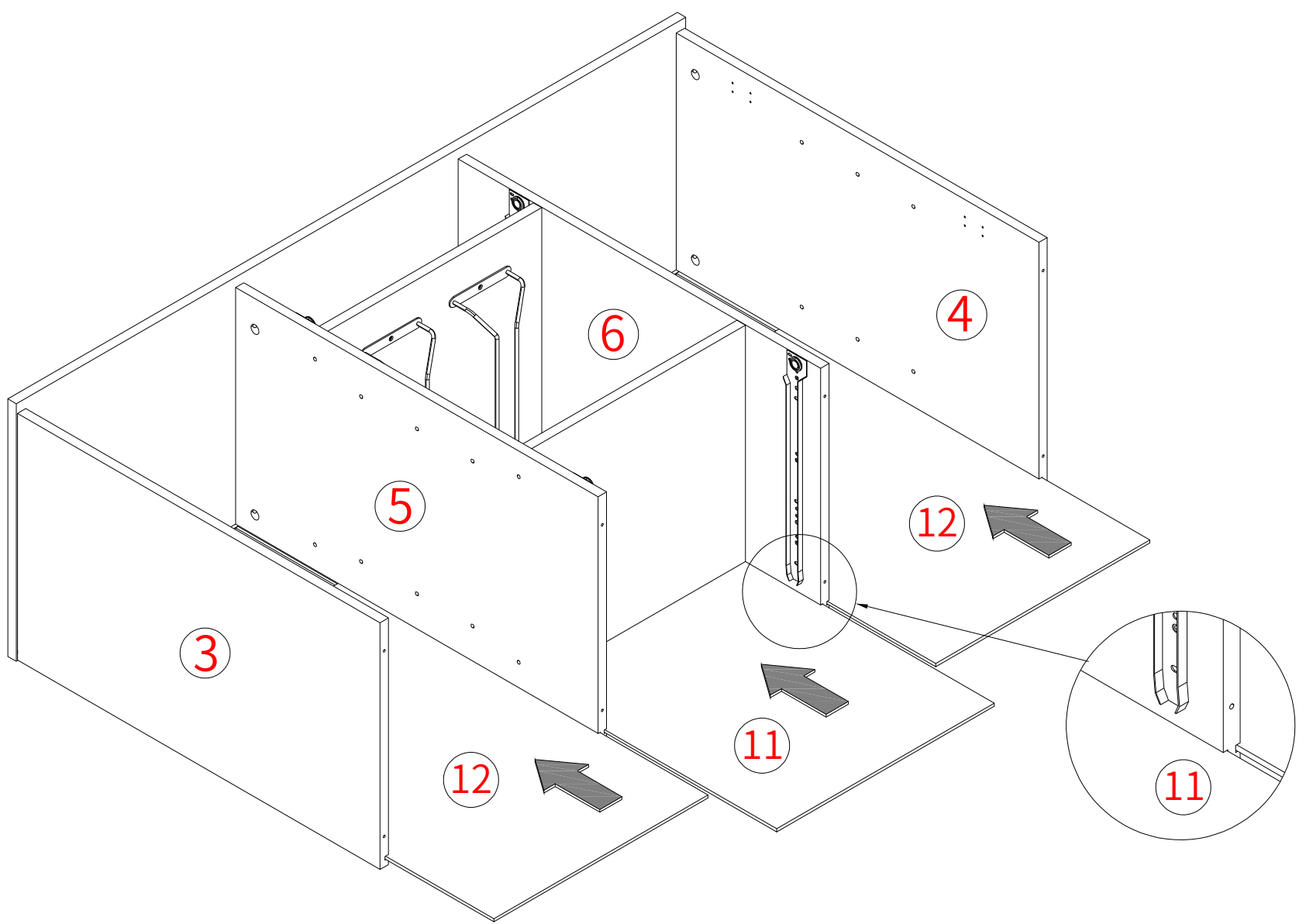
C Ø8x40

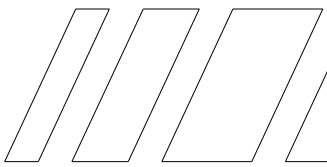


4 PCS



6



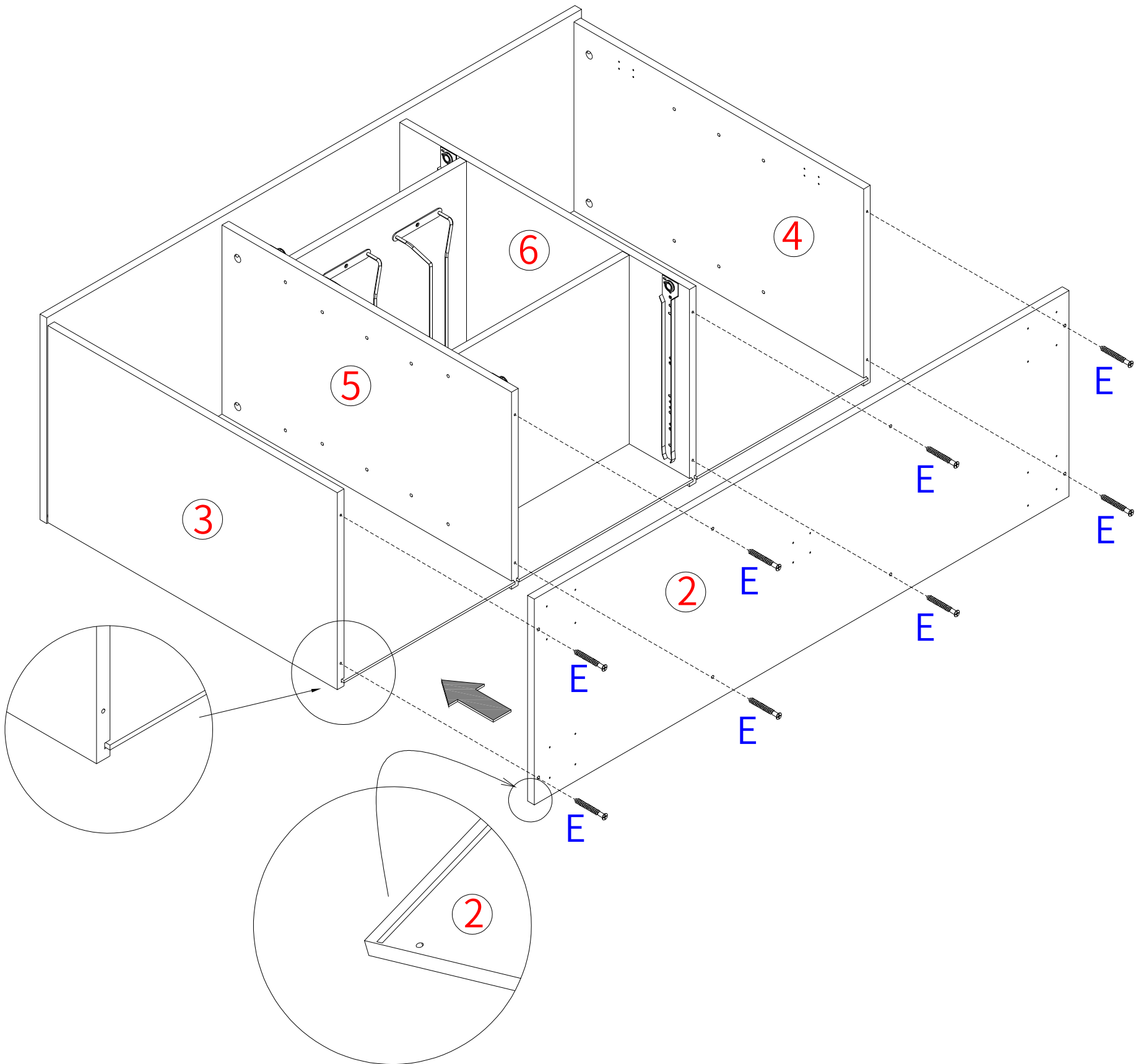


7

E M5x40



8 PCS



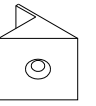
8

D M3.5x14

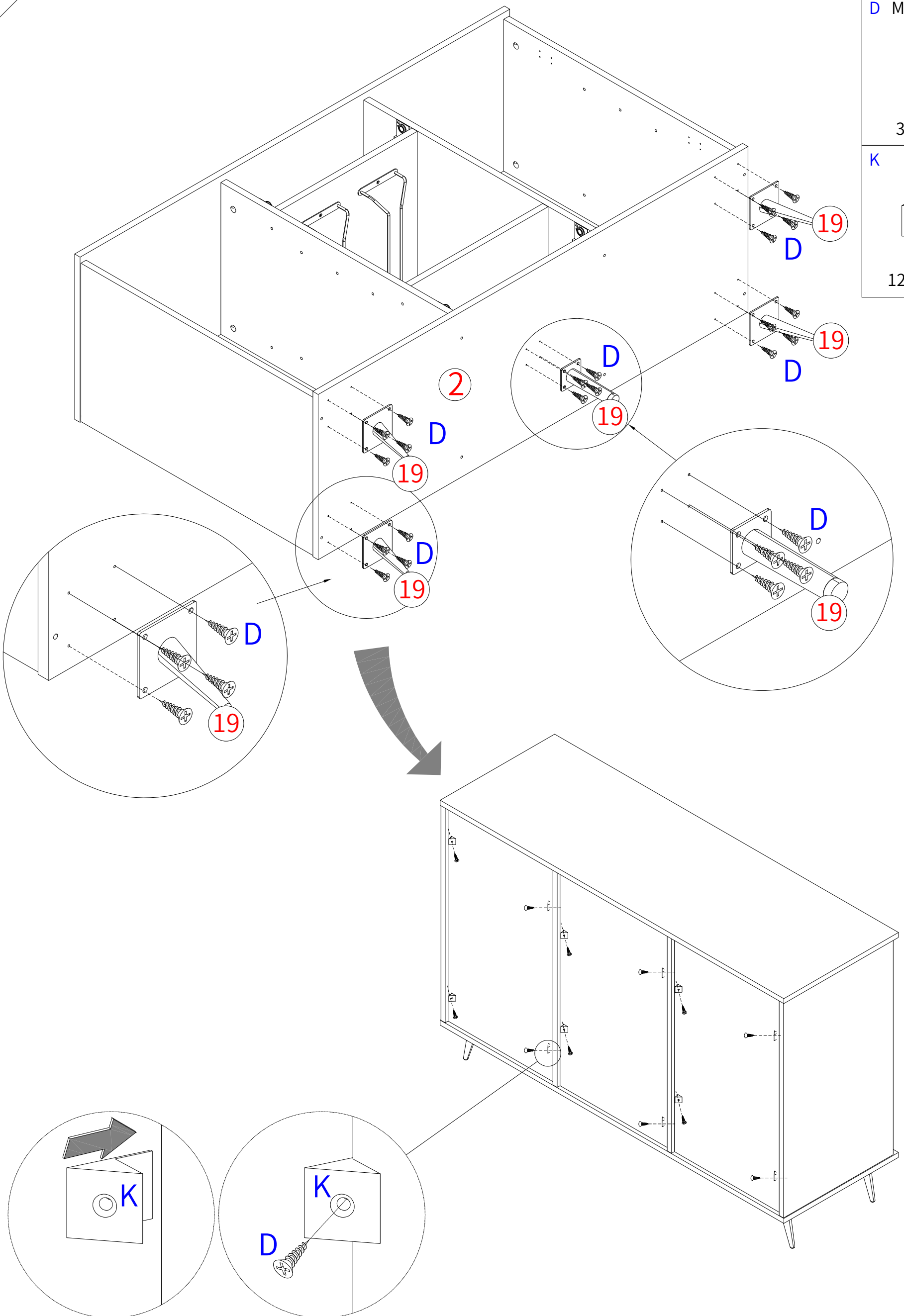


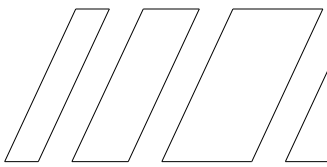
32 PCS

K



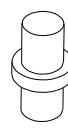
12 PCS



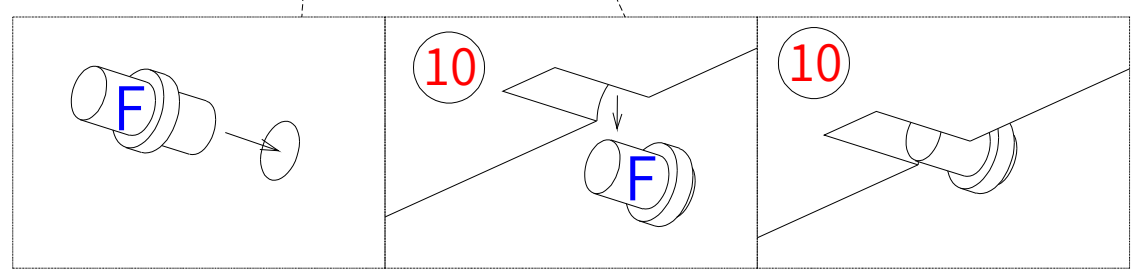
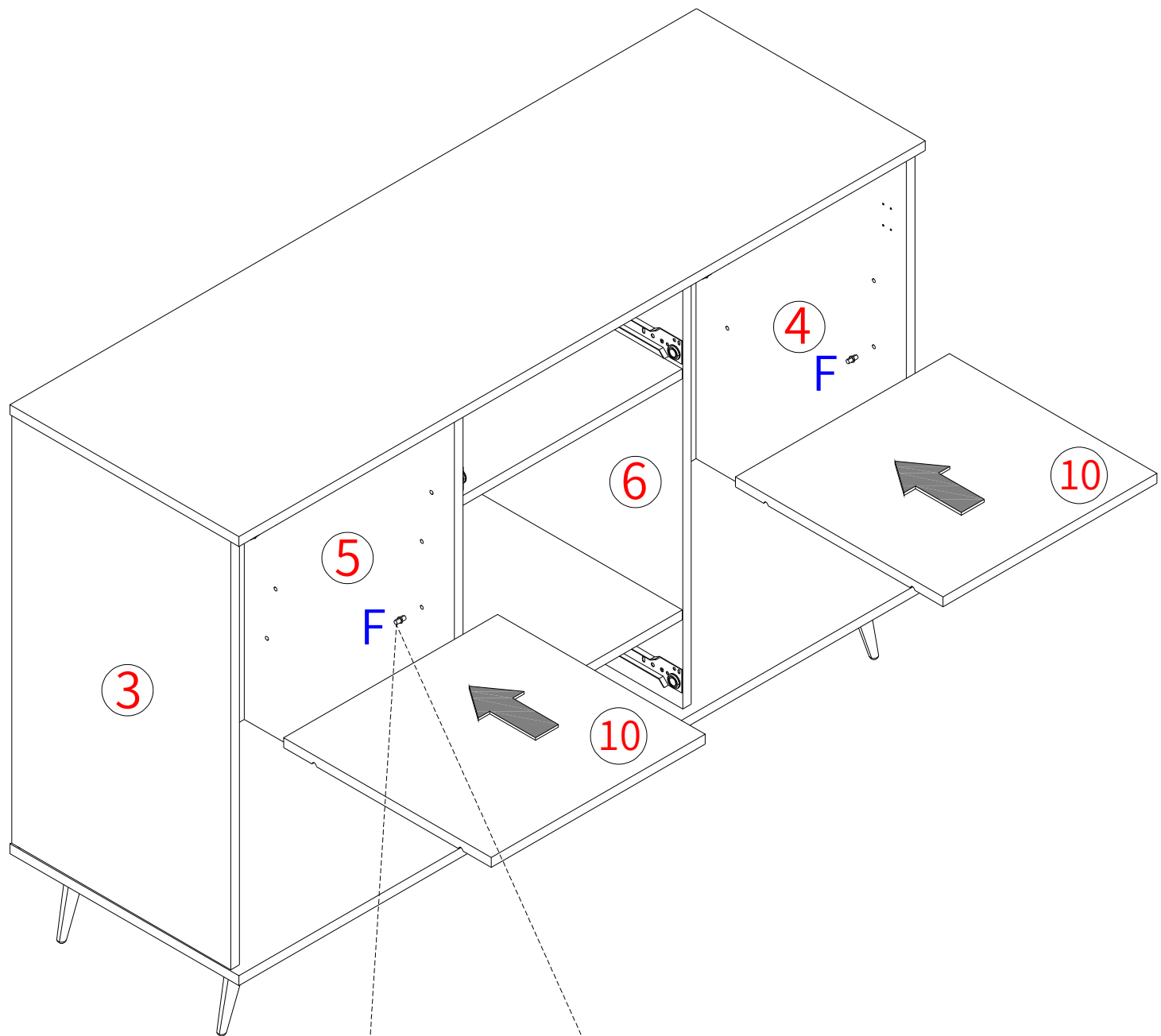


9

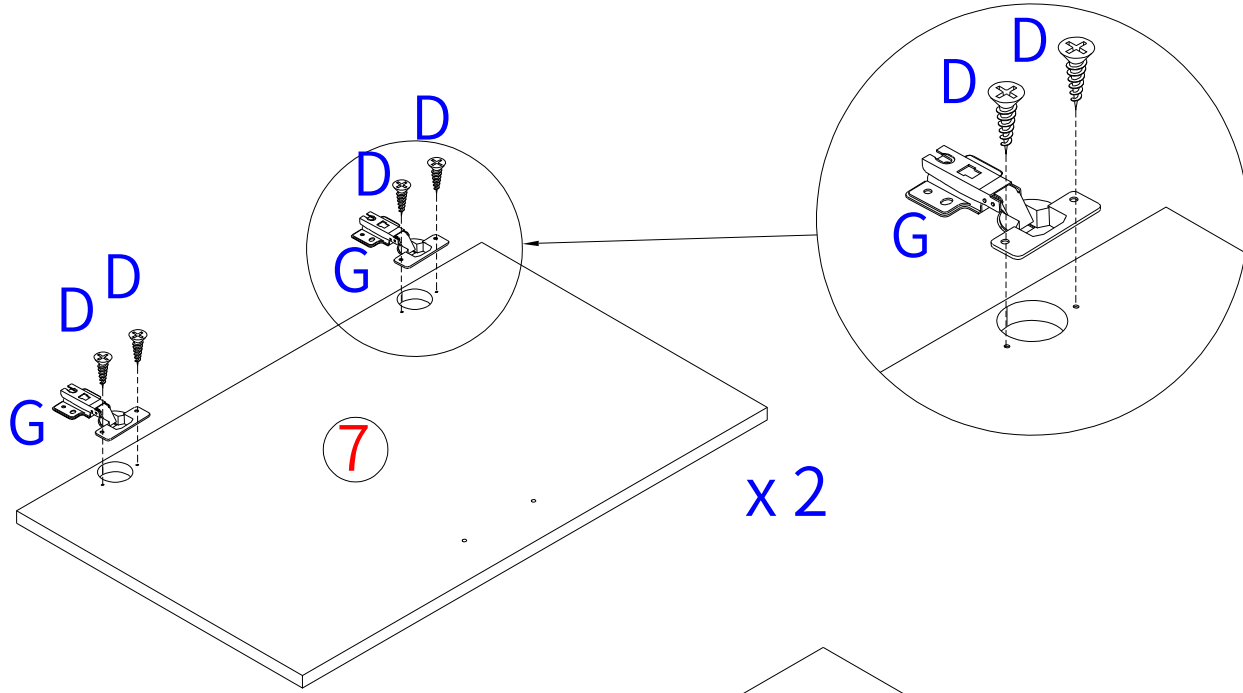
F Ø5



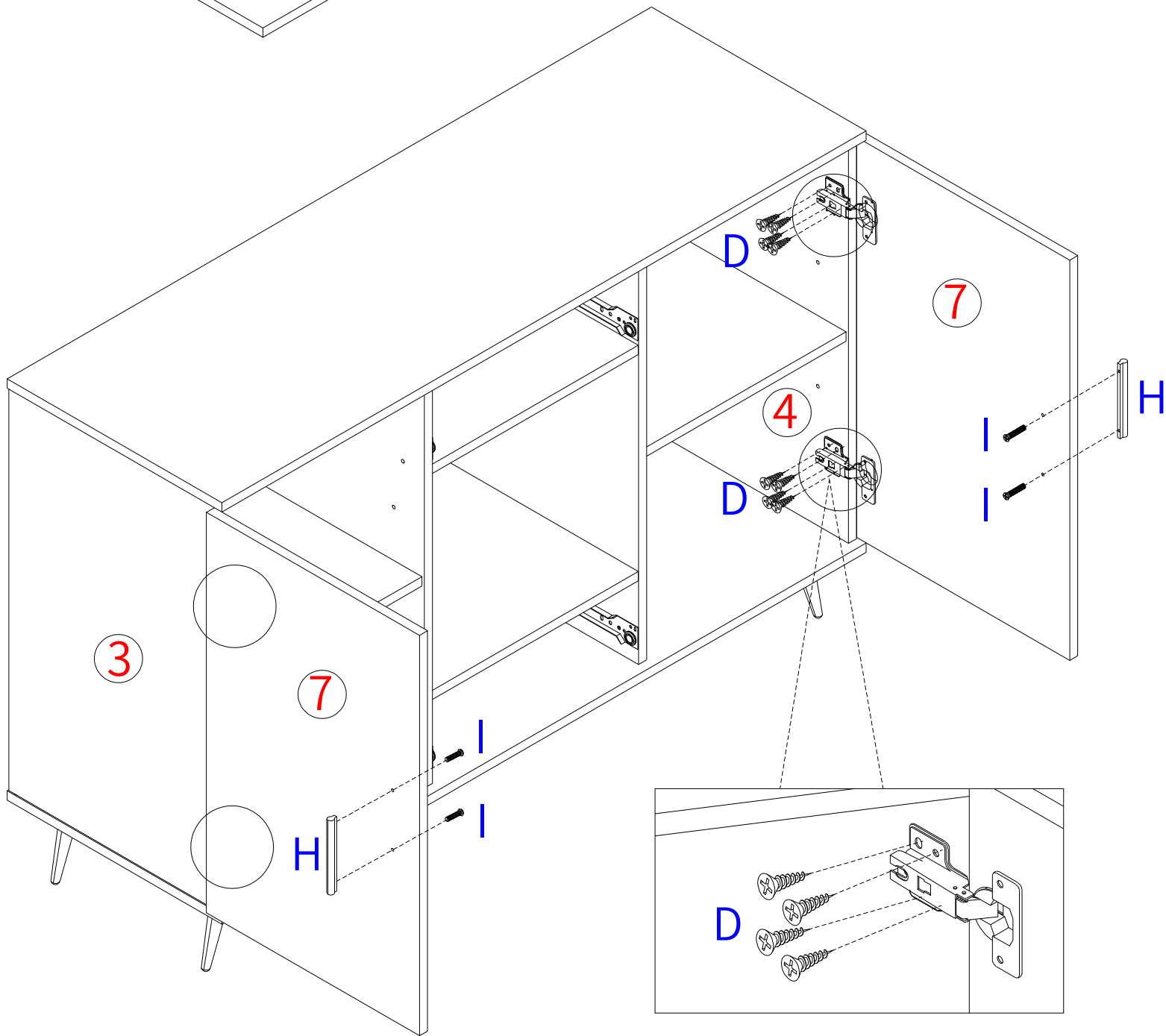
8 PCS



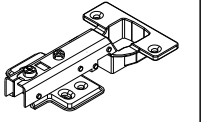
10



x2



G WG



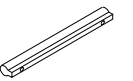
4 PCS

D M3.5x14



24 PCS

H M4x96



2 PCS

I M4x18

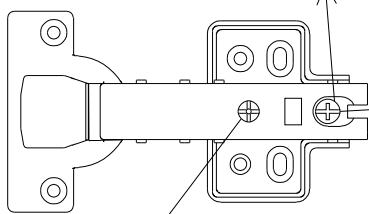


4 PCS



This screw can be adjusted up and down.

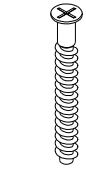
Door gap adjustment screw



Adjustment screw

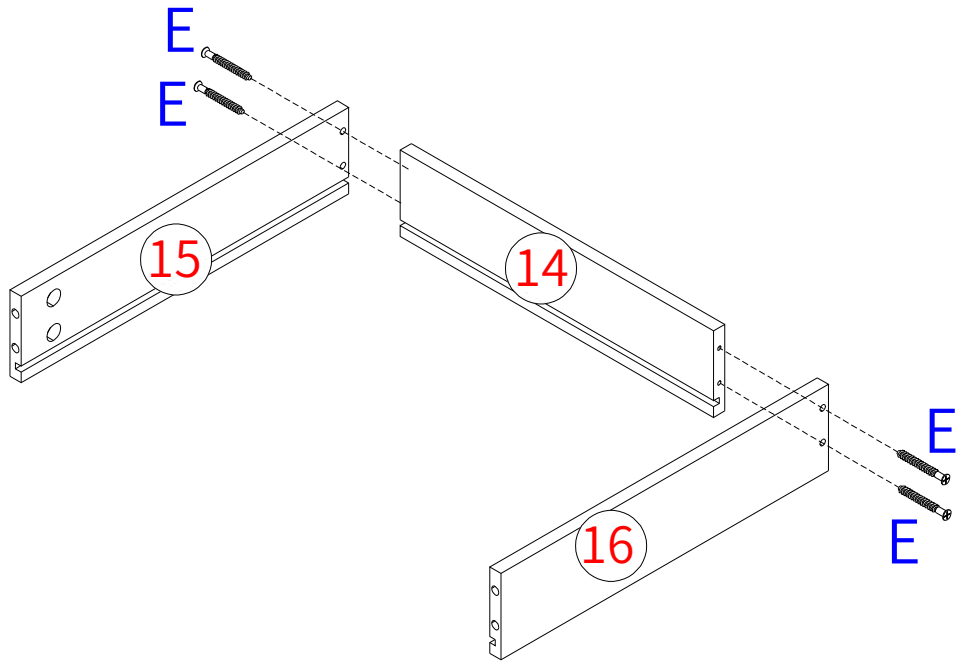
11

E M5x40

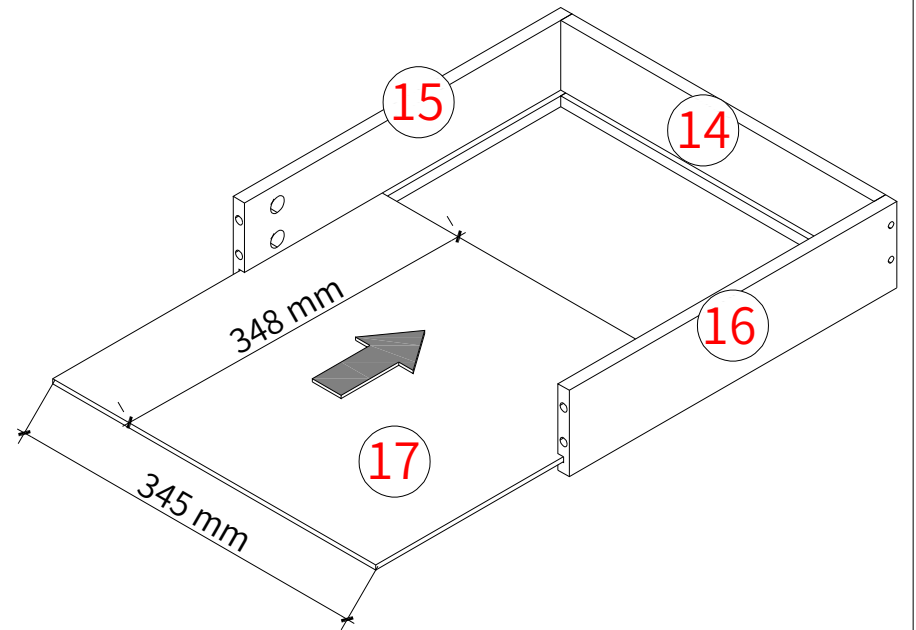


8 PCS

12



x 2



x 2

13

A M6x42



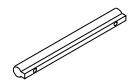
8 PCS

B Ø15x10



8 PCS

H M4x96

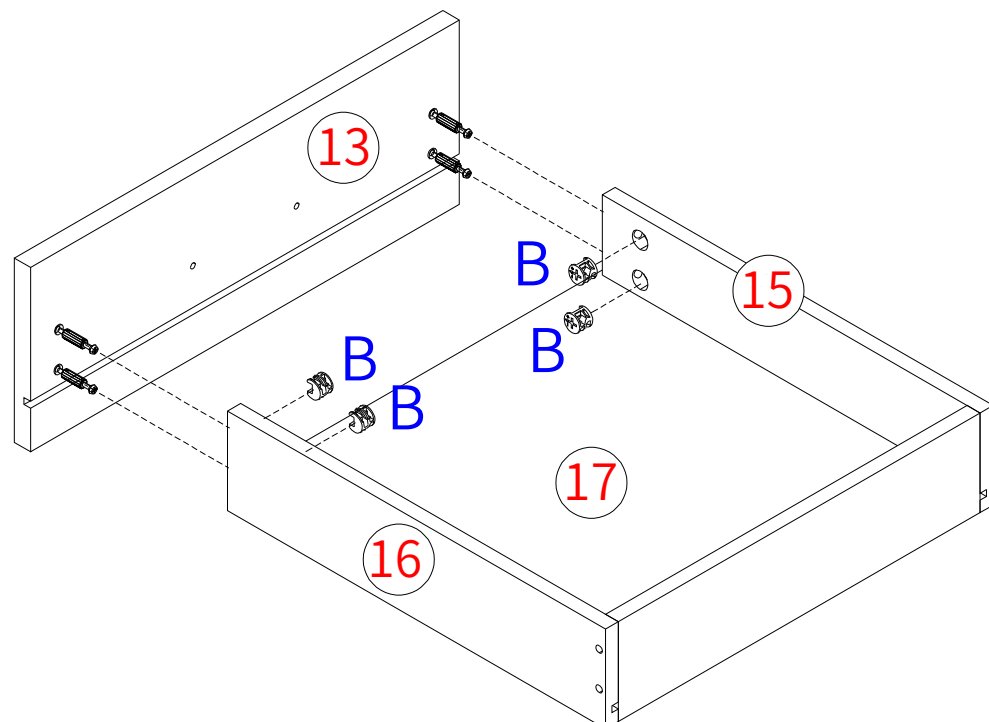
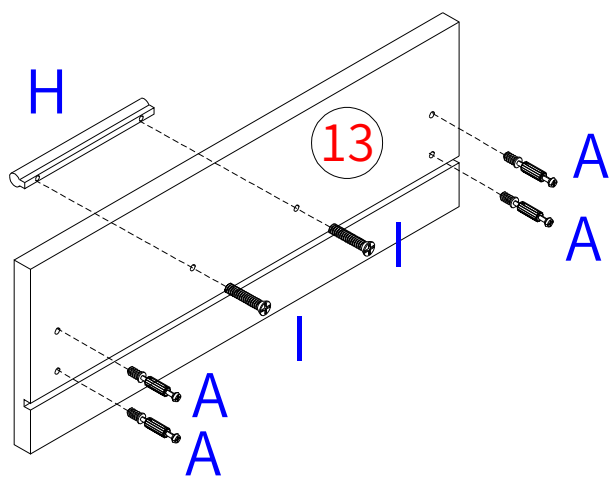


2 PCS

I M4x18



4 PCS



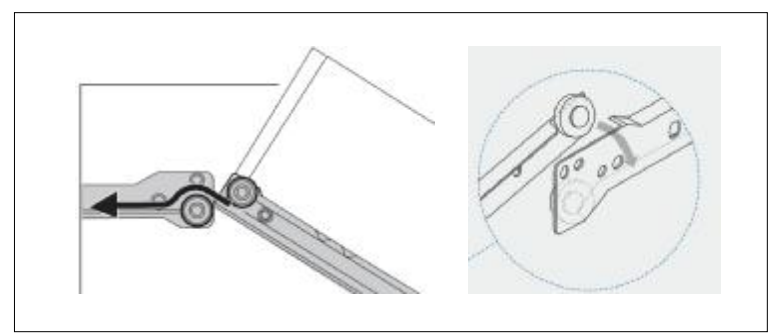
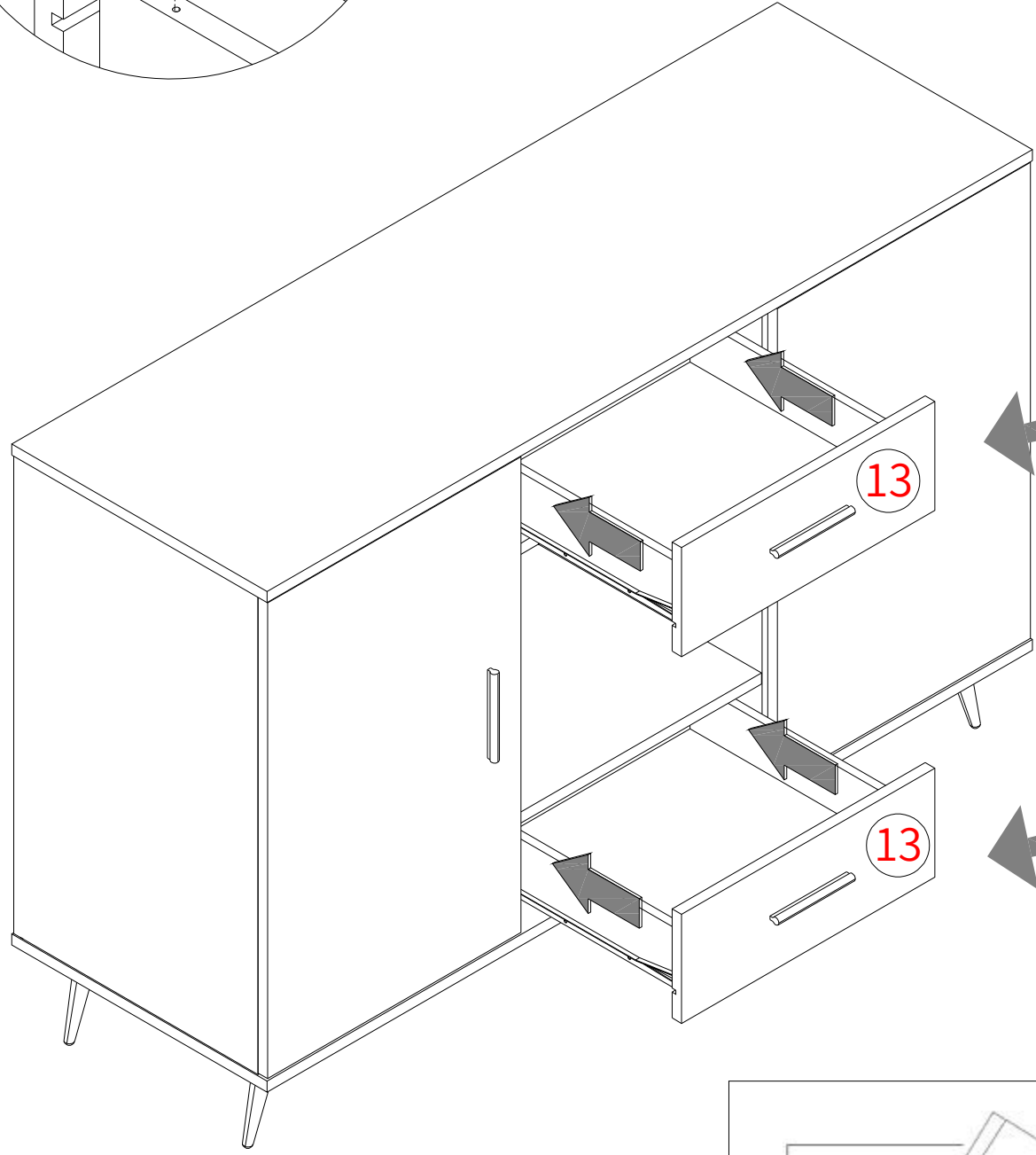
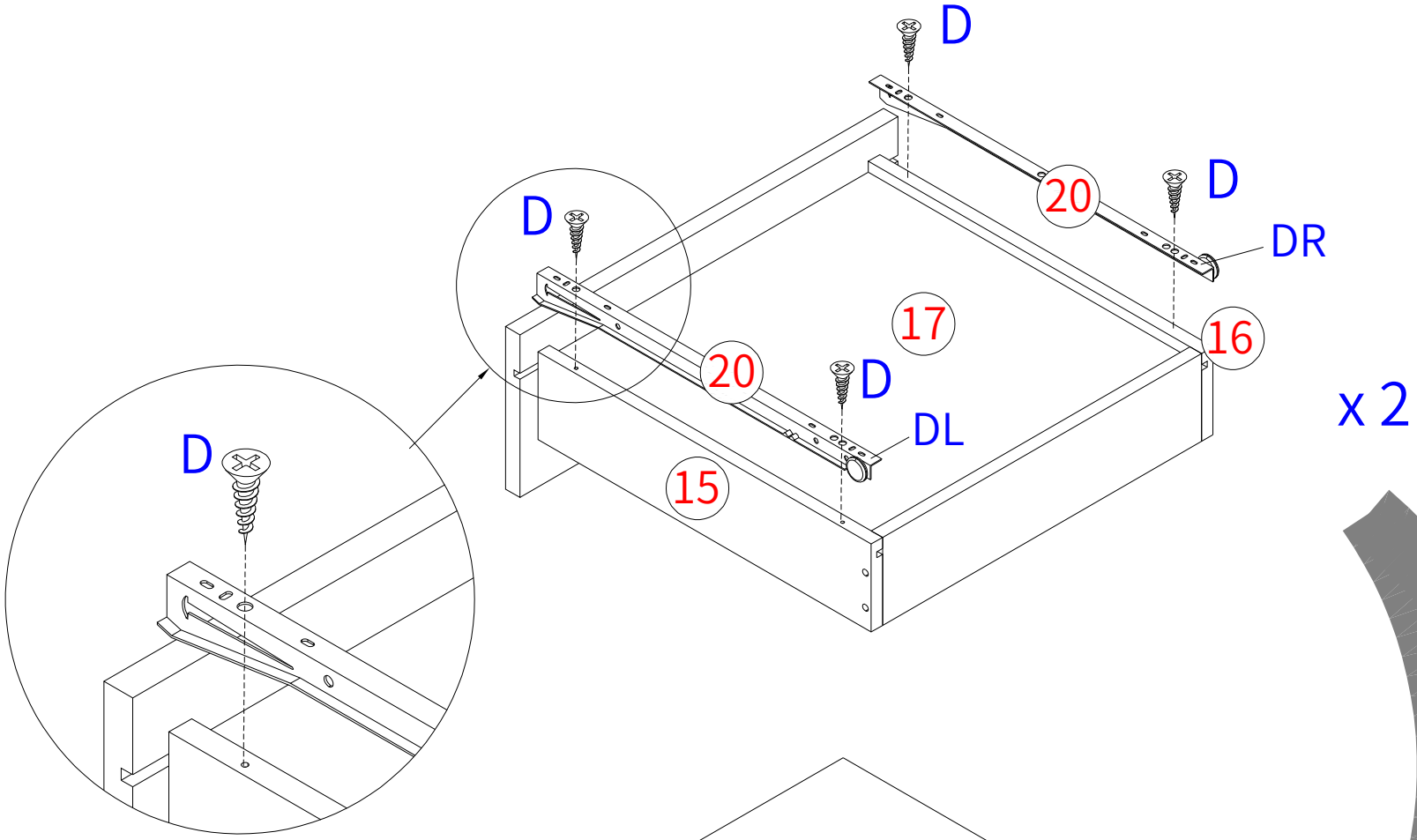
x 2

14

D M3.5x14



8 PCS



15



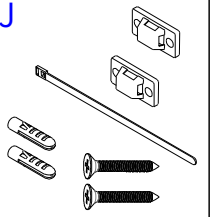
Attention: For safety and stability, we suggest you have to secure the anti-tip accessories to the wall to prevent tipping, injury, and property damage.

D M3.5x14



4 PCS

J



2 SETS

WALL

