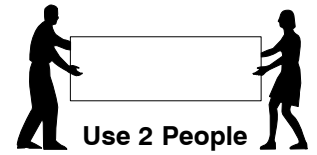
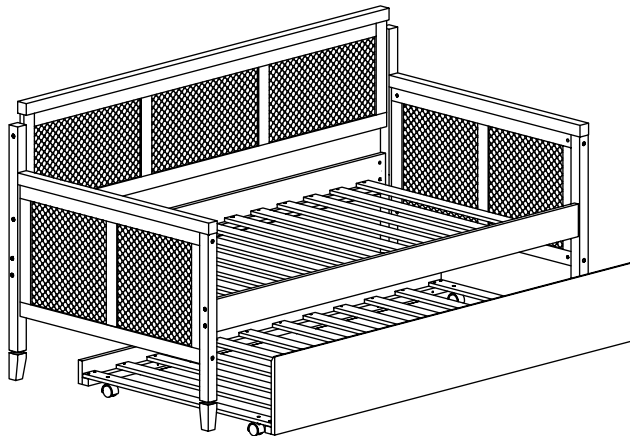


Daybed

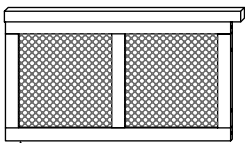
Assembly Instructions

1 Assembled View

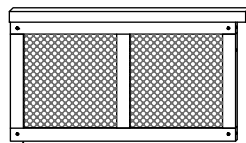


Note: Do not assemble using power tools. This can cause the bolts to be overtightened

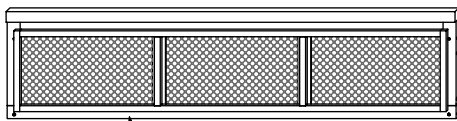
2 Parts in this Box



A Side Panel (Left Hand) x 1



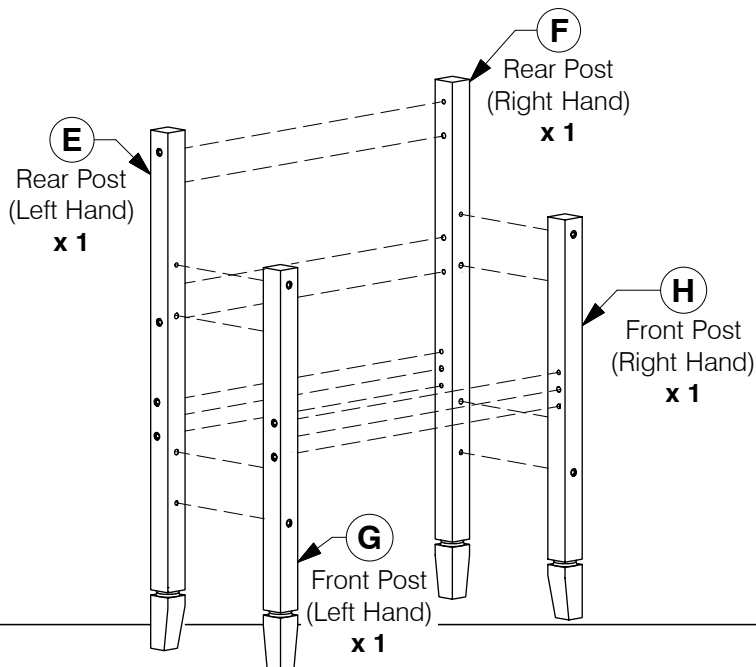
B Side Panel (Right Hand) x 1



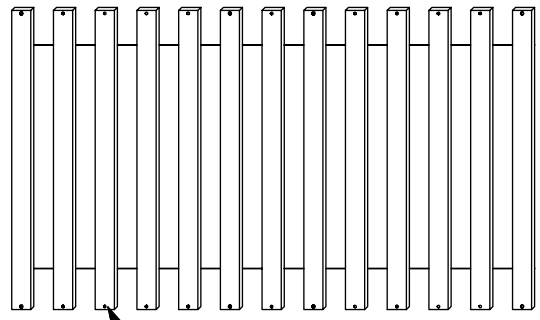
C Back Panel x 1



D Side Rail x 2



Slats are packed in separately in Box B



J Set of Slats x 1

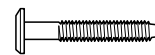
3 Hardware in this Box



1 M6 x 90mm JCB x 20



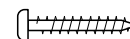
4 Barrel Nut x 20



2 M6 x 40mm JCB x 8



5 Wood Dowel (10 x 40mm) x 16



3 Wood Screw (M4 x 32mm) x 18

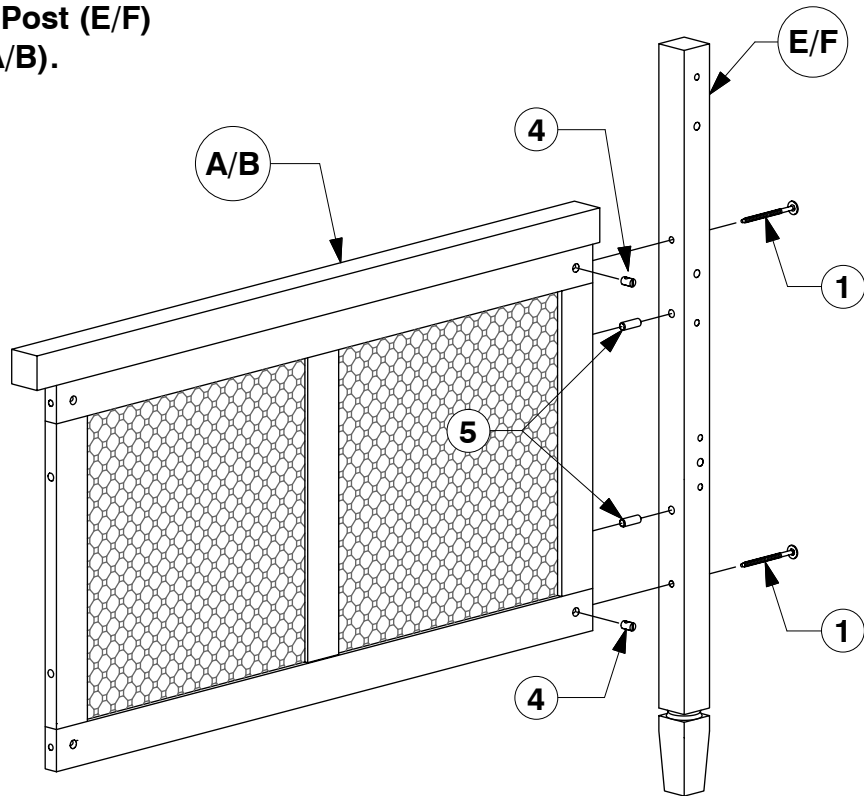


6 Allen Key x 1

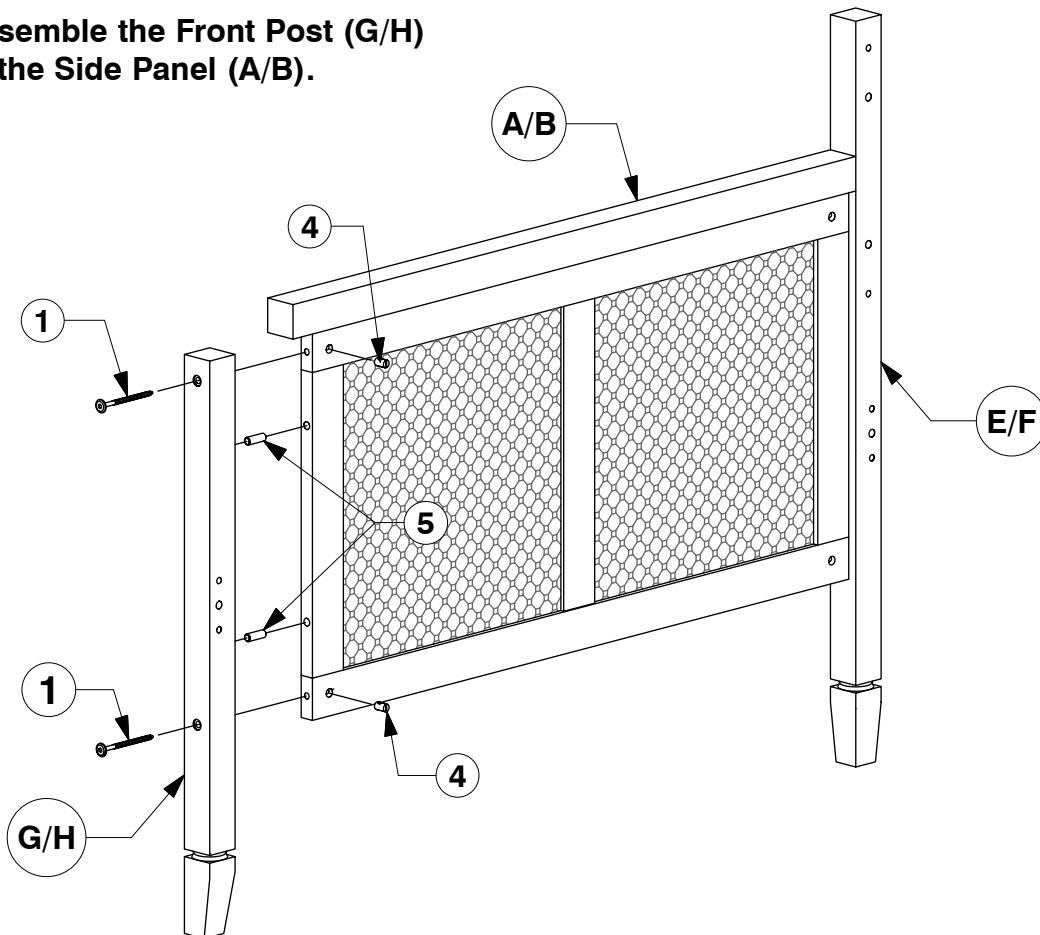
Daybed

Assembly Instructions

- 4** Assemble the Rear Post (E/F) to the Side Panel (A/B).



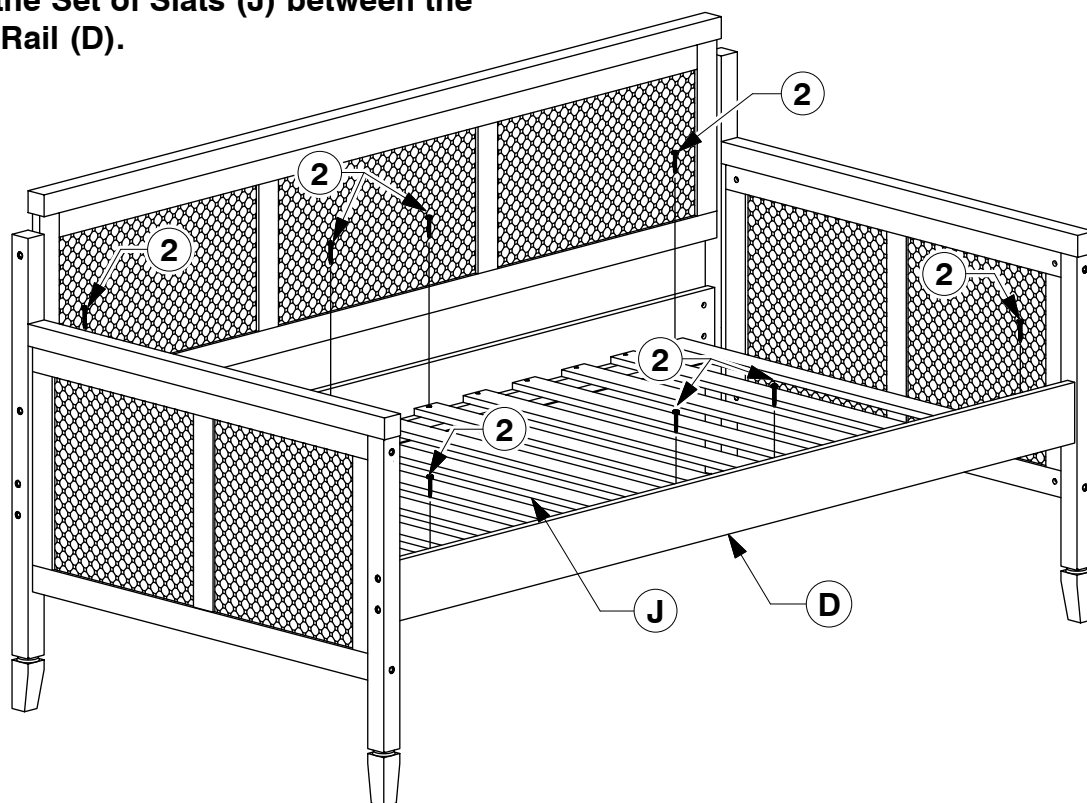
- 5** Assemble the Front Post (G/H) to the Side Panel (A/B).



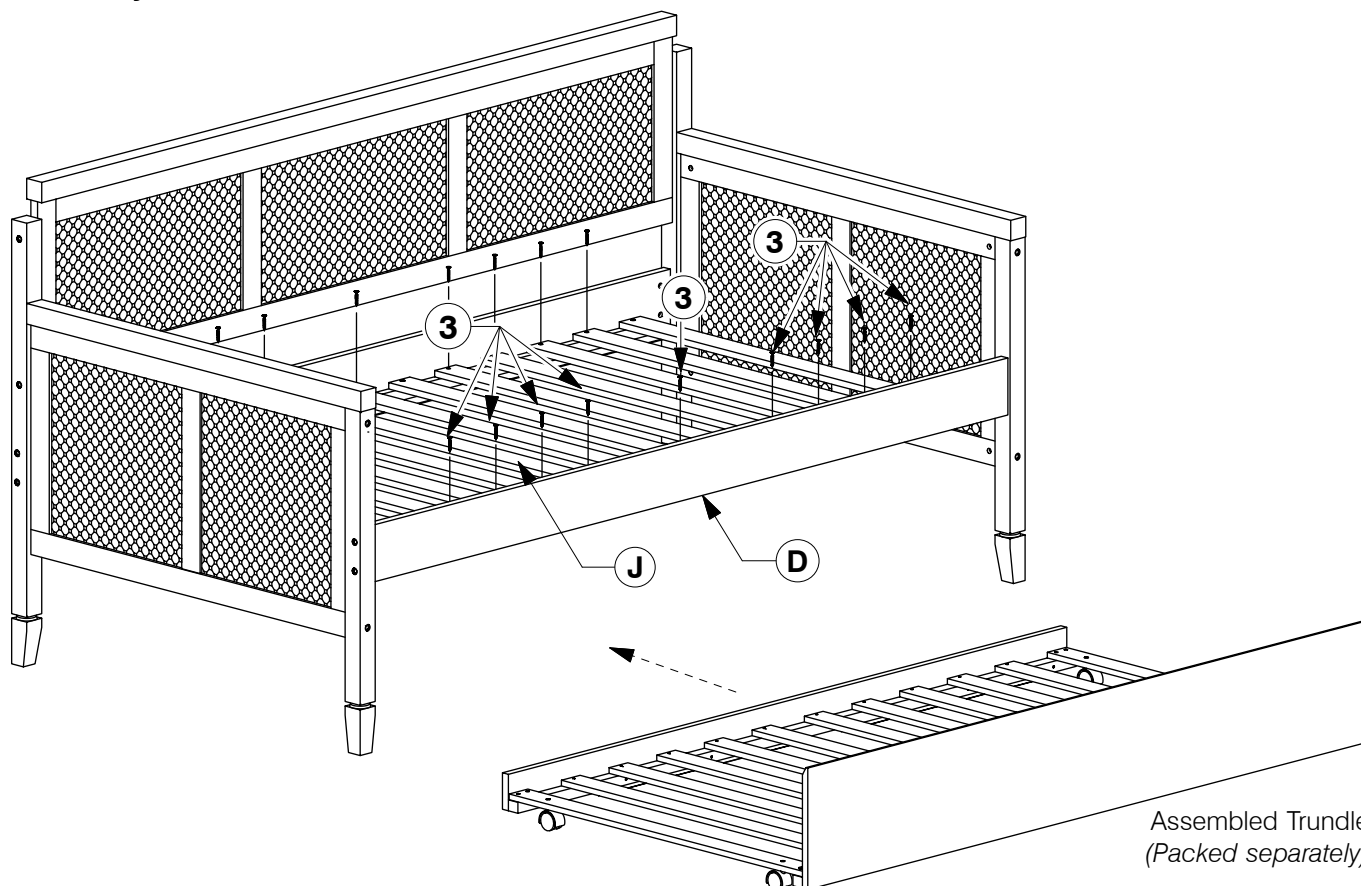
Daybed

Assembly Instructions

- 8** Bolt the Set of Slats (J) between the Side Rail (D).



- 9** Screw the Set of Slats (J) between the Side Rail (D).
Finally, fit the assembled Trundle.



Assembled Trundle
(Packed separately)