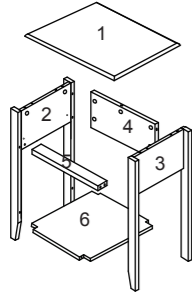
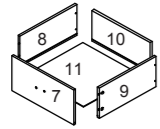
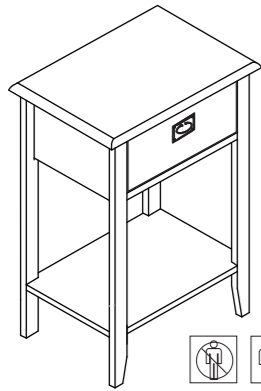


Assembly Instructions

Tips!

Check all the components & screws before assembly.

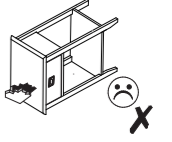
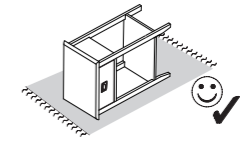
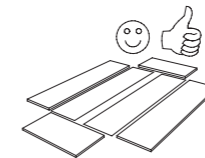
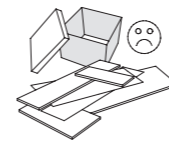
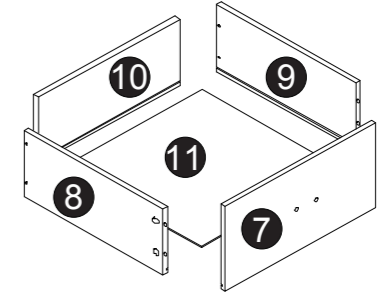
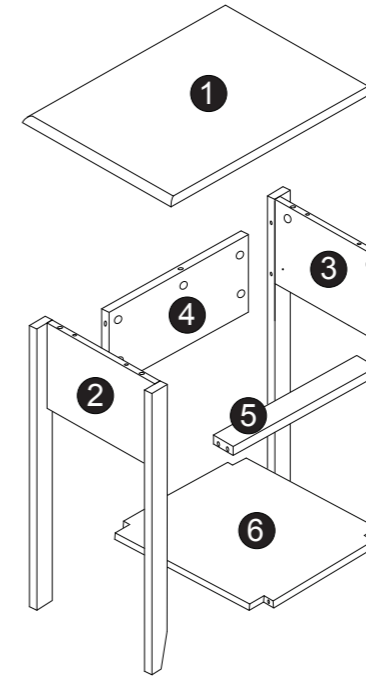


Components

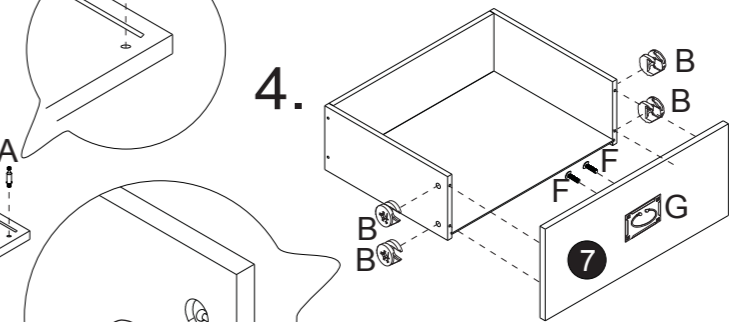
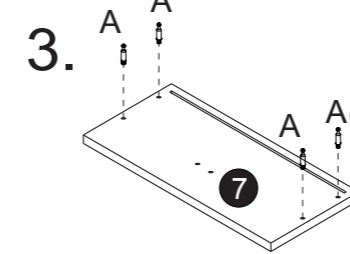
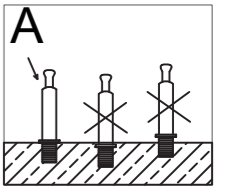
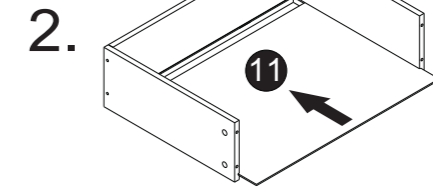
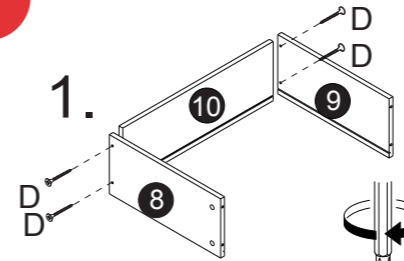
1		400 X 300mm	1	7		295 X 140mm	1
2		585 X 290mm	1	8		250 X 90mm	1
3		585 X 290mm	1	9		250 X 90mm	1
4		300 X 160mm	1	10		250 X 90mm	1
5		300 X 45mm	1	11		258 X 246mm	1
6		367 X 287mm	1				

Screws & Tools

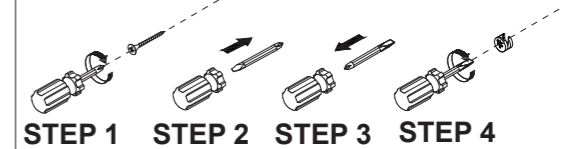
A		19	H		1	
B		19	I		1	
C		6	J		1	
D		4 X 35mm	4	K		1
E		3 X 12mm	8	L		4
F		4 X 12mm	2			1
G		1				



1

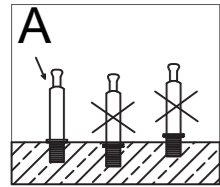
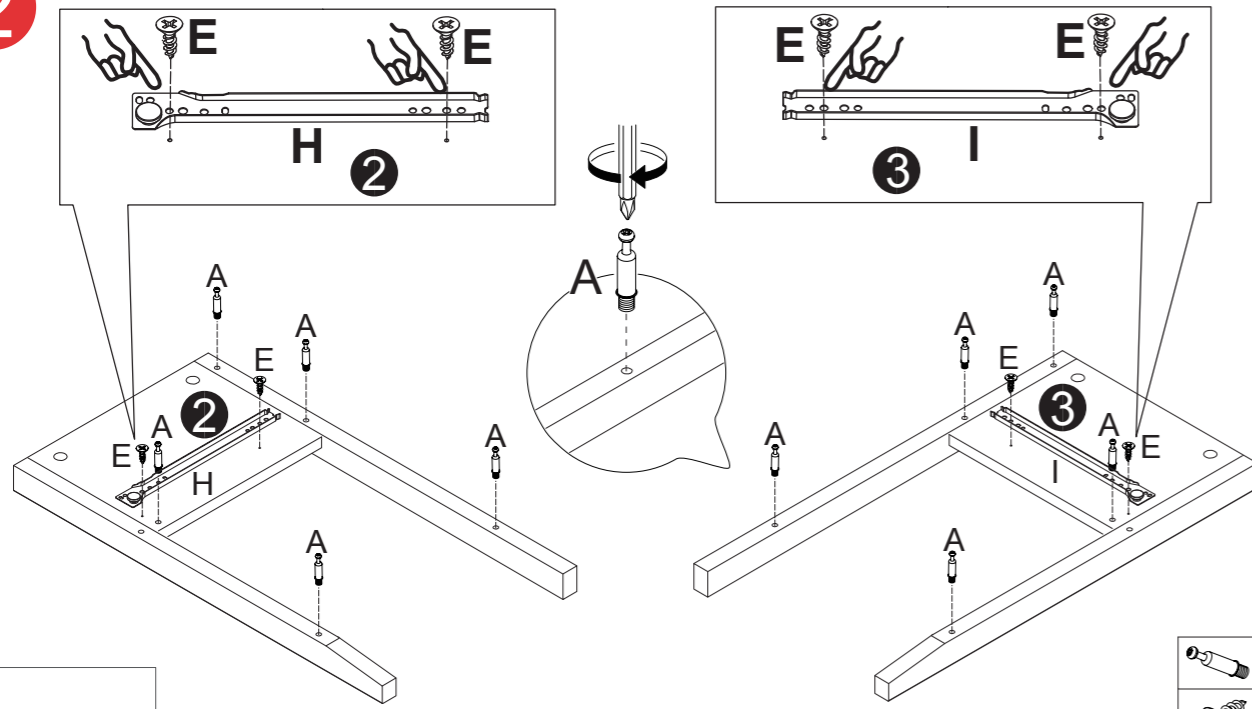


This screwdriver can be used at both ends



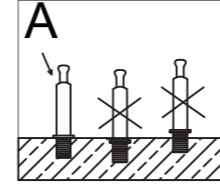
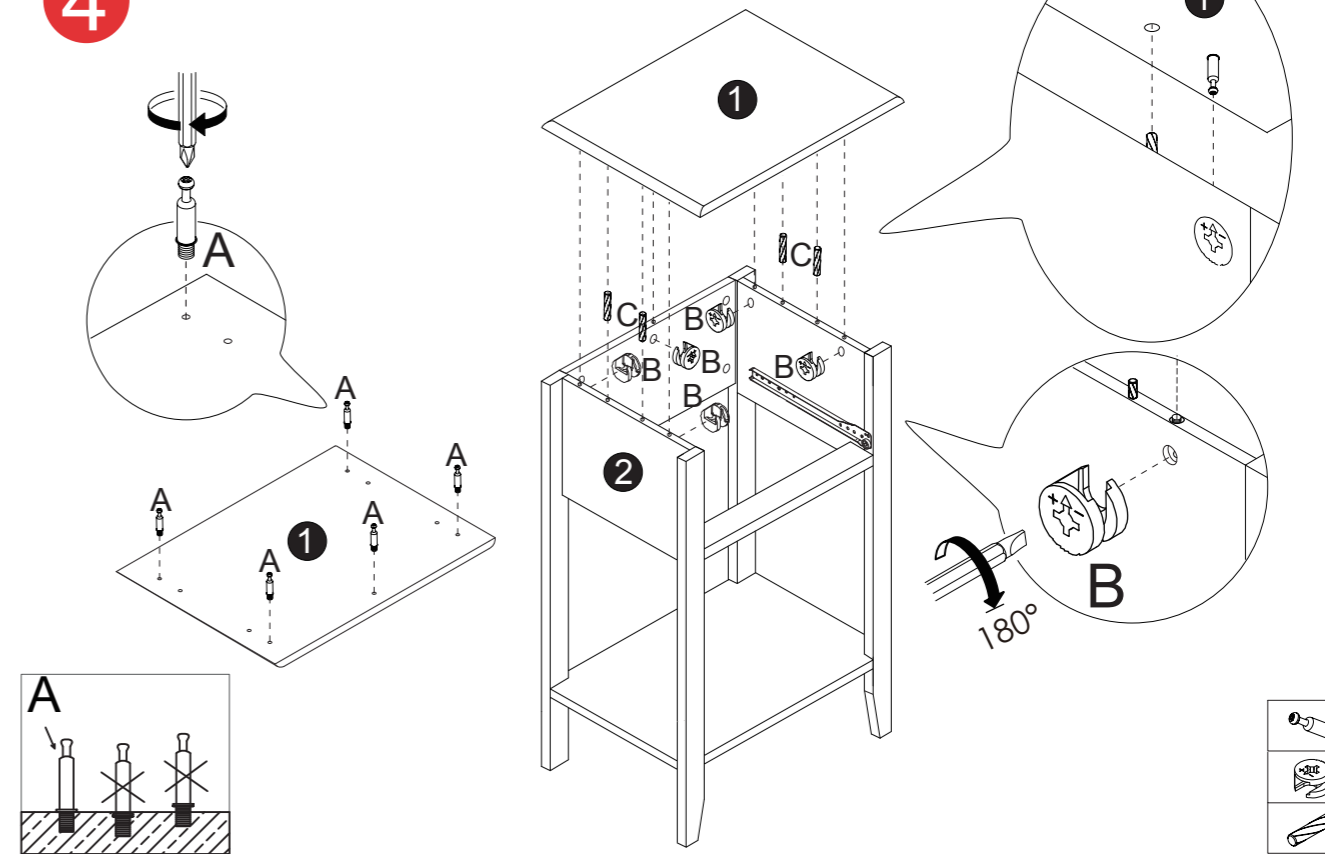
	Ax4
	Bx4
	Dx4
	Fx2
	Gx1

2



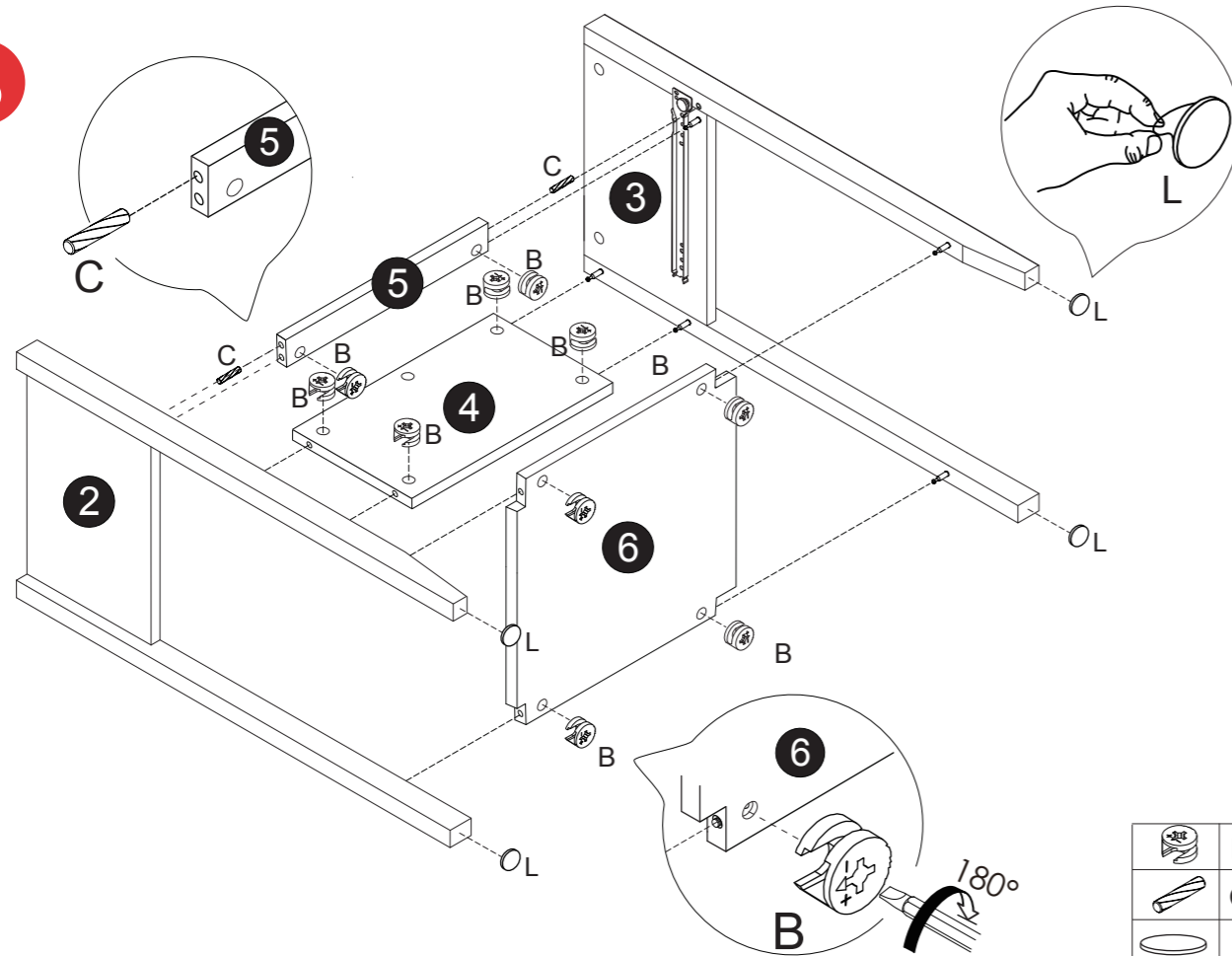
	A×10
	E×4
	H×1
	I×1

4



	A×5
	B×5
	C×4

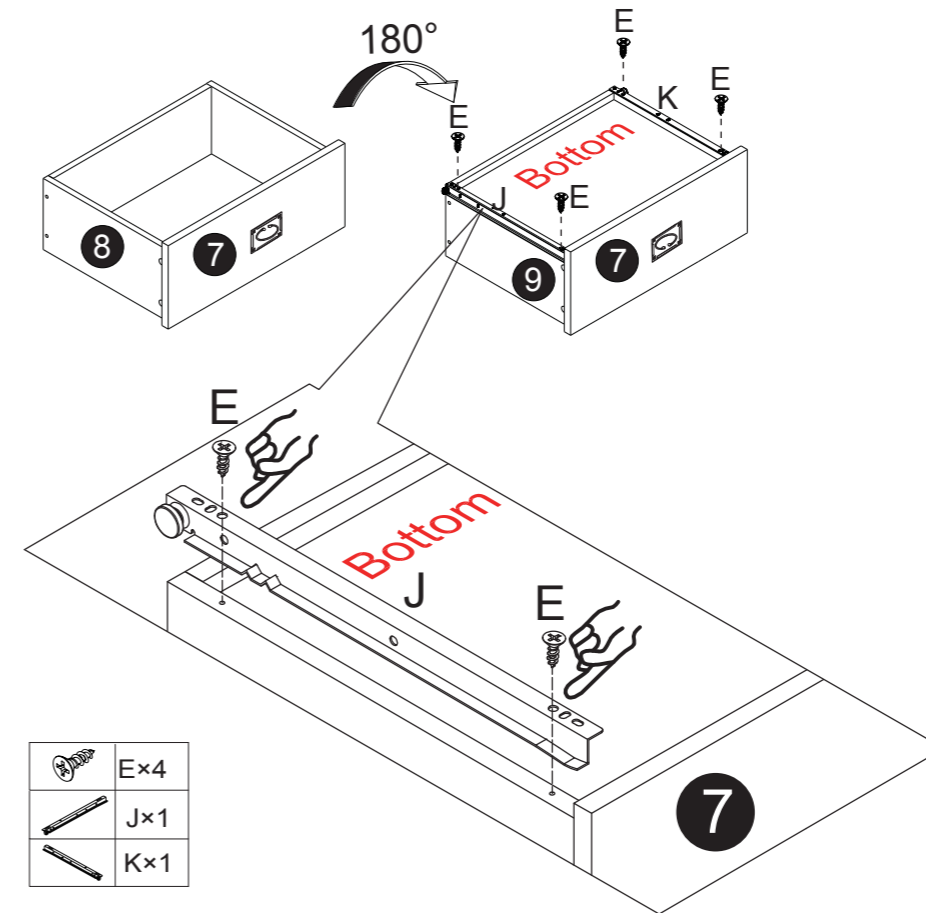
3



	B×10
	C×2
	L×4

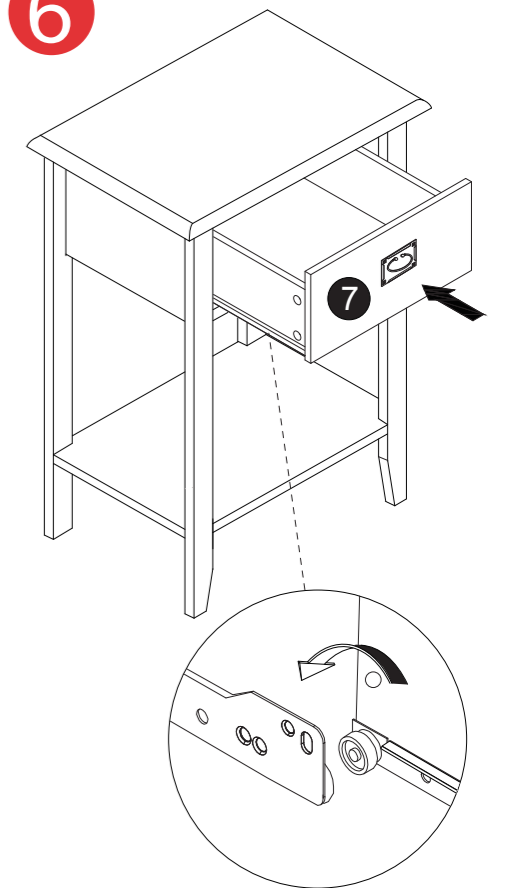
5

Note: Flip the drawer's bottom to top to set the rail. (180°)



	E×4
	J×1
	K×1

6



Note: Make the pulley from the rail fit in another rail inside to set the drawer.