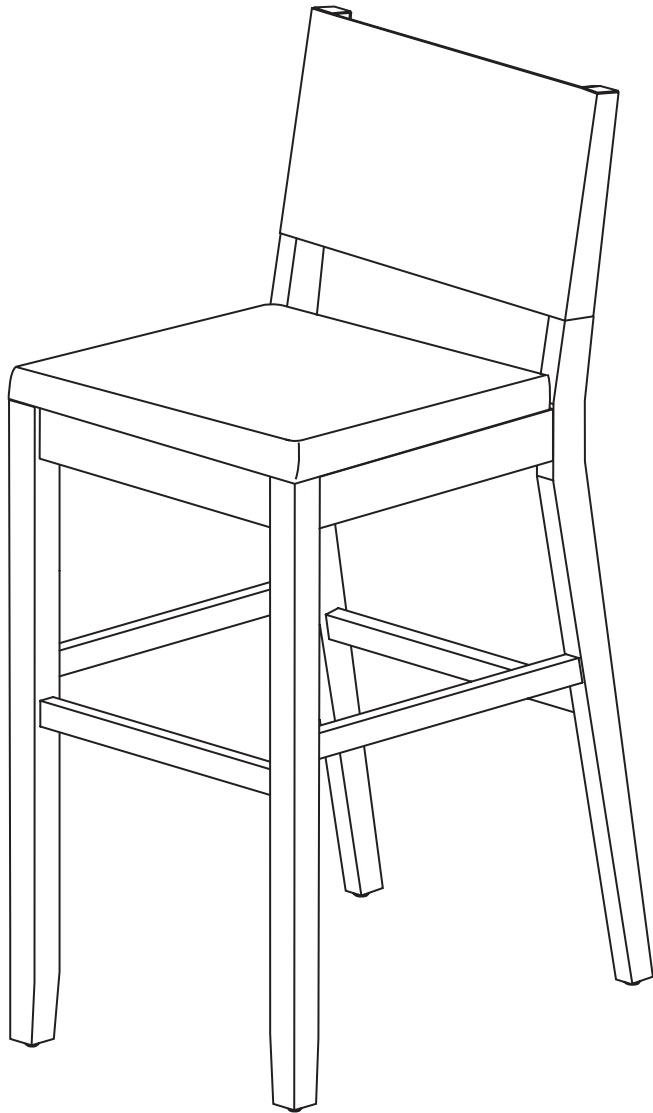


15 MINUTE
15
ASSEMBLY



Ok, let's get rolling

This should be easy, just follow our instructions and you will be back to Netflix in no time.

Estimated time for assembly



15:00

What you need

- Some of your favourite bubbly or your preferred relaxant
- Use the packaging carton as a working surface to prevent product damage during assembly
- Phillips Head Screwdriver

Weight Limitation

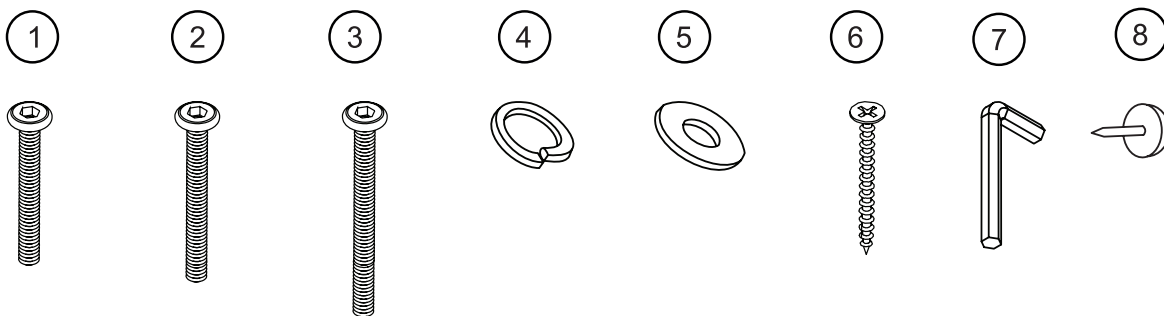
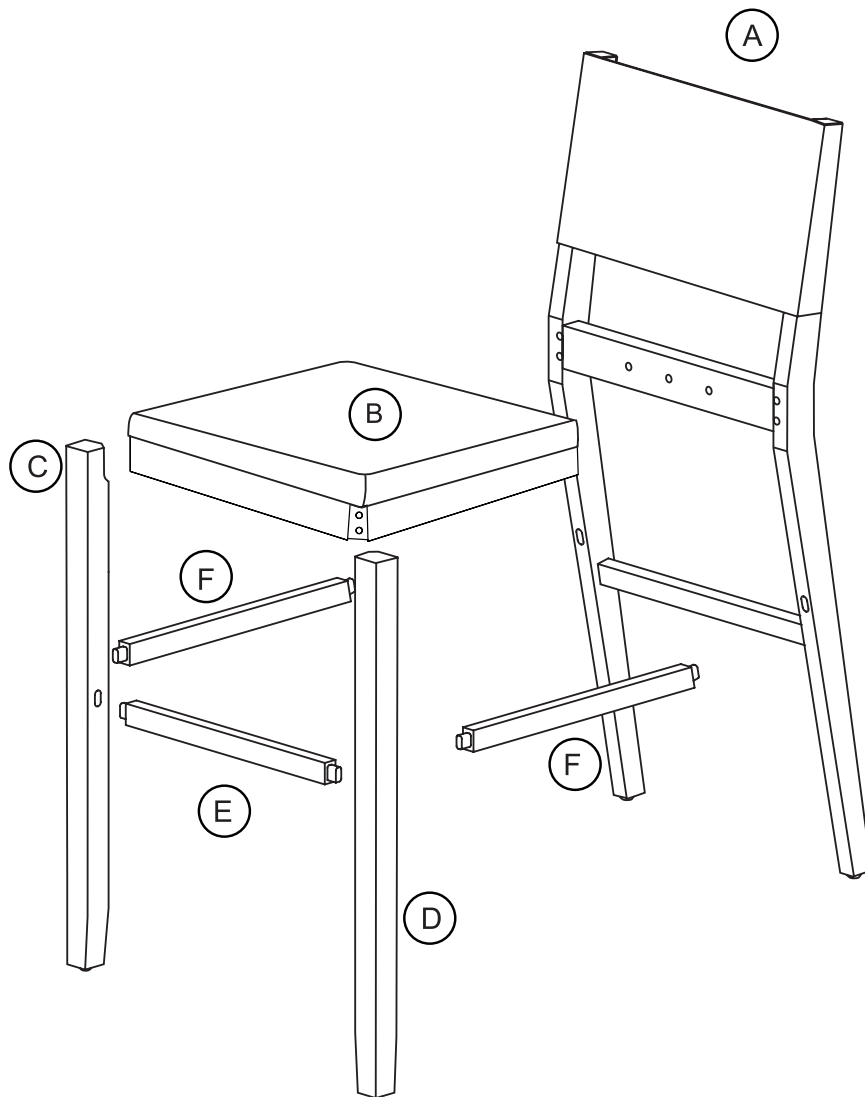


300
lbs

What's included

| Description | Qty |
|-------------------------------------|-----|
| A Chair Back | 1 |
| B Seat Cushion | 1 |
| C Front Leg - Right | 1 |
| D Front Leg - Left | 1 |
| E Front Footrest | 1 |
| F Side Stretcher | 2 |
| 1 ¼ x 1 ½ inch Hex Button Head Bolt | 2 |
| 2 ¼ x 2 ¾ inch Hex Button Head Bolt | 4 |
| 3 ¼ x 3 ⅛ inch Hex Button Head Bolt | 4 |
| 4 ¼ inch Lock Washer | 10 |
| 5 ¼ inch Flat Washer | 10 |
| 6 M4*38MM Phillips Head Screw | 6 |
| 7 Allen Key | 1 |
| 8 Plastic Nail-in Footpad (Extra) | 4 |

The goods



IMPORTANT

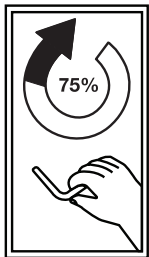
1. Do not tighten bolts / screws completely until all bolts / screws are lined up and inserted into holes.
2. Do not over tighten screws and bolts to avoid stripping.

Step 1

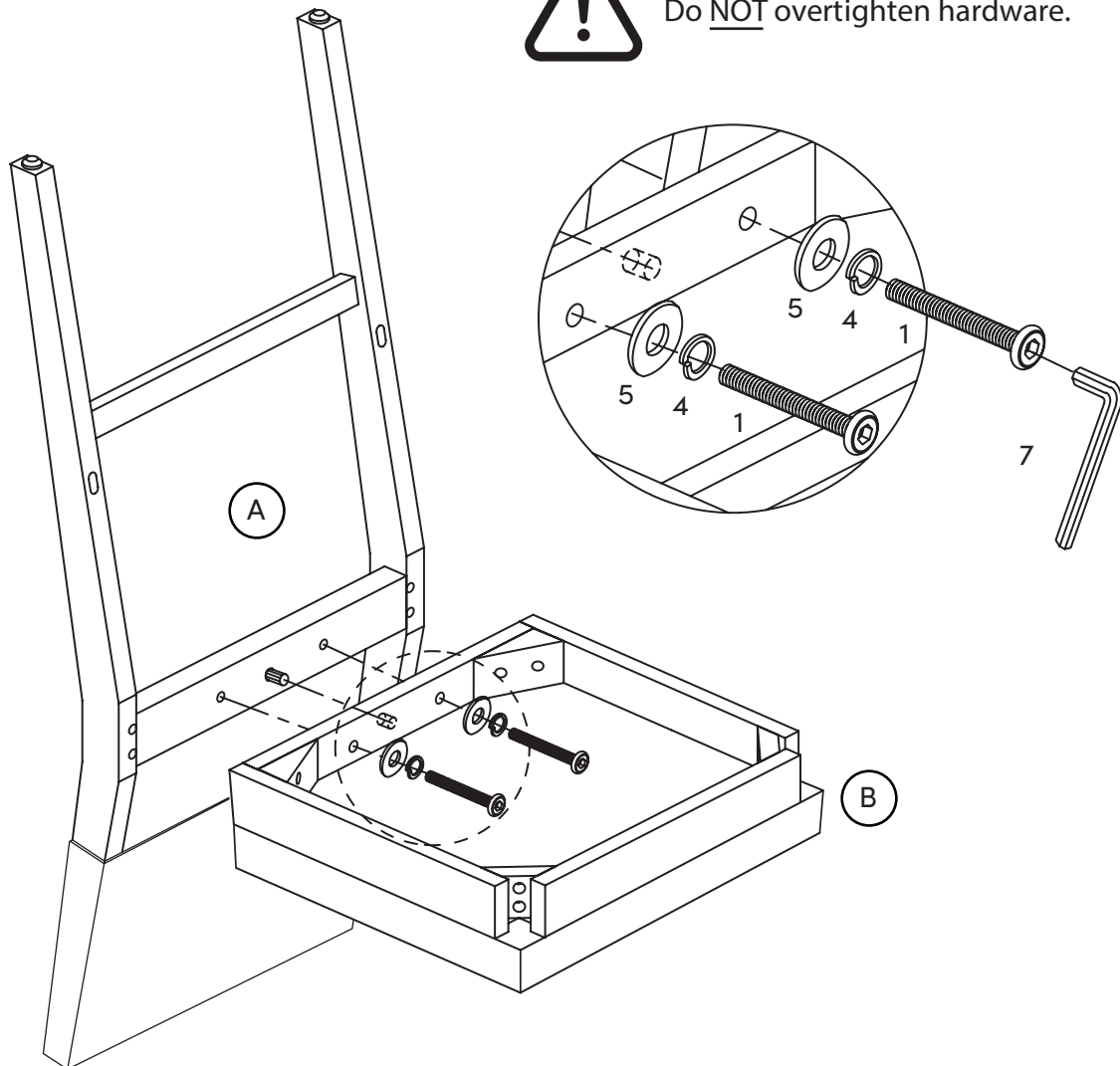
Let's get this thing fired up!

Secure on the Chair Back (A) and the Seat Cushion (B) using the 1/4 inch Flat Washer (5), 1/4 inch Lock Washer (4) and 1/4 x 1 1/2 inch Hex Button Head Bolt (1).

Tighten to 75% for now.



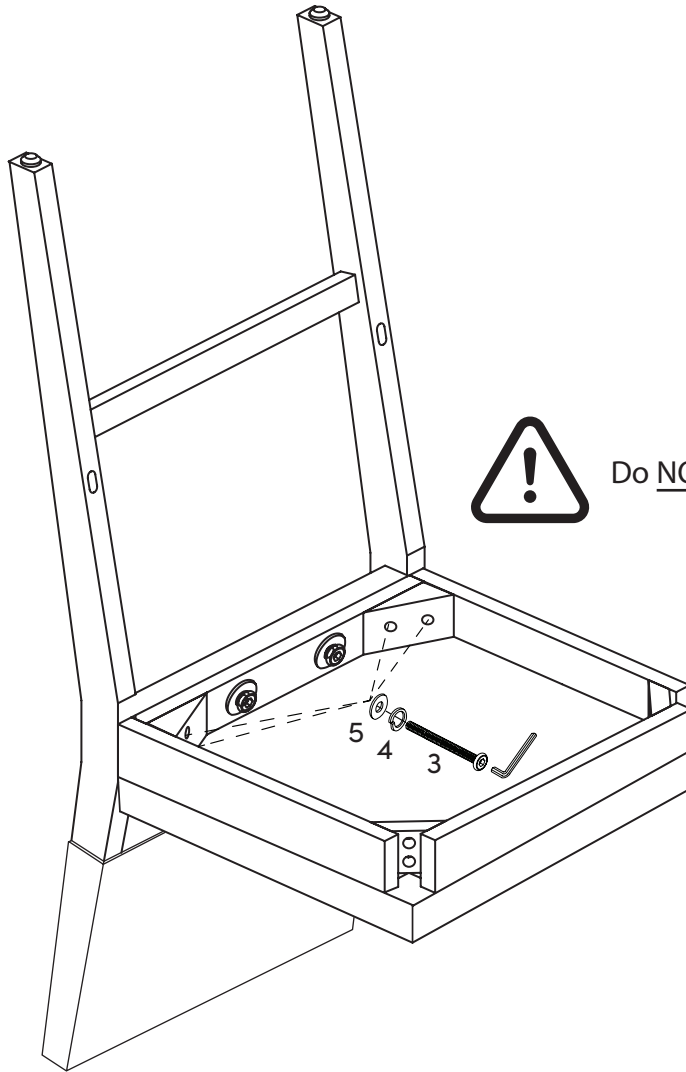
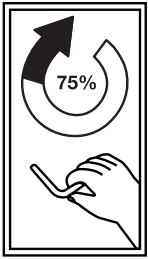
Do NOT overtighten hardware.



Step 2

Take a moment to match the sticker on the bottom of the chair back with the sticker on the corner block. Then, secure the Seat Frame (B) using the 1/4 x 3 1/8 inch Hex Button Head Bolt (3), 1/4 inch Lock Washer (4), and 1/4 inch Flat Washer (5).

Again, tighten to 75%!



Do NOT overtighten hardware.

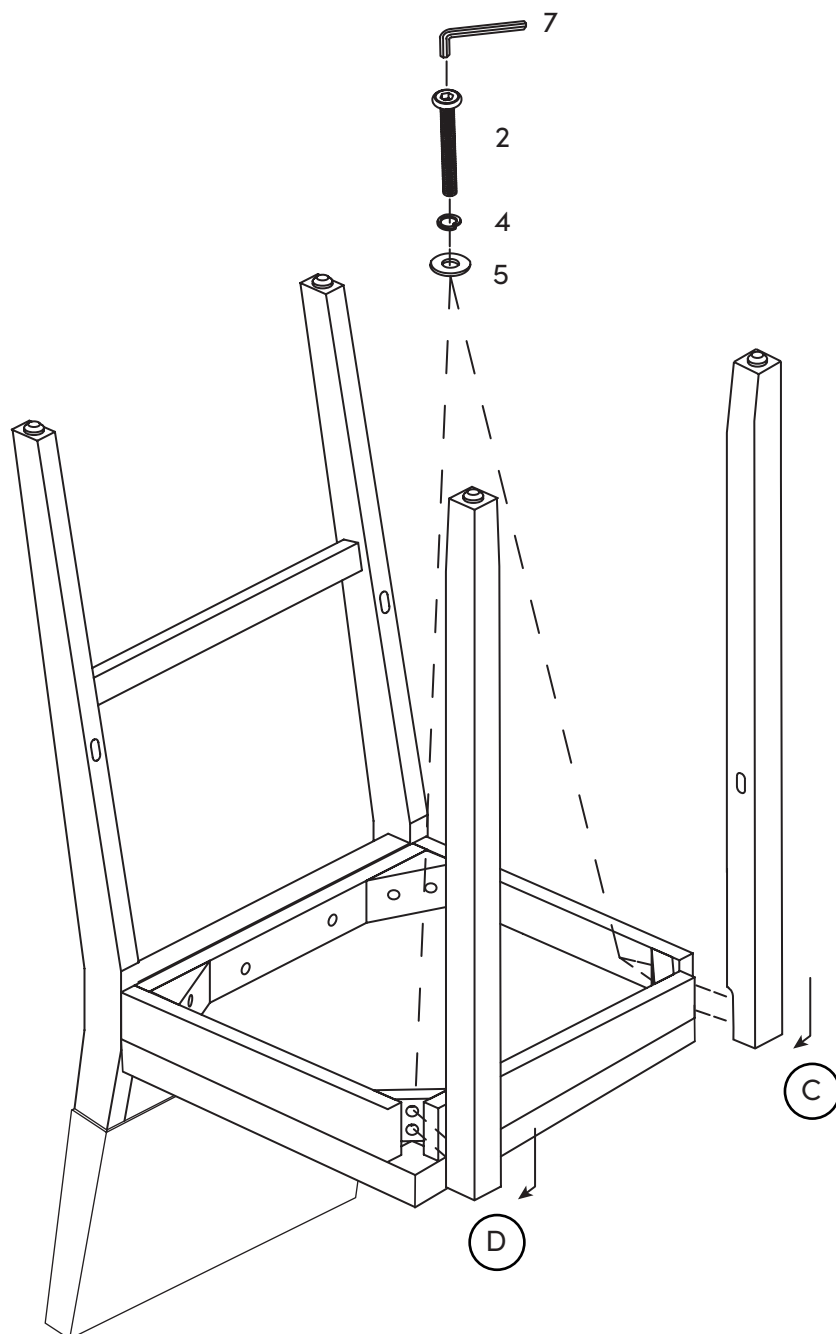
Step 3

Let's secure those Legs (C) and (D) in place! Consider this your workout of the day.

Tighten to 75%.



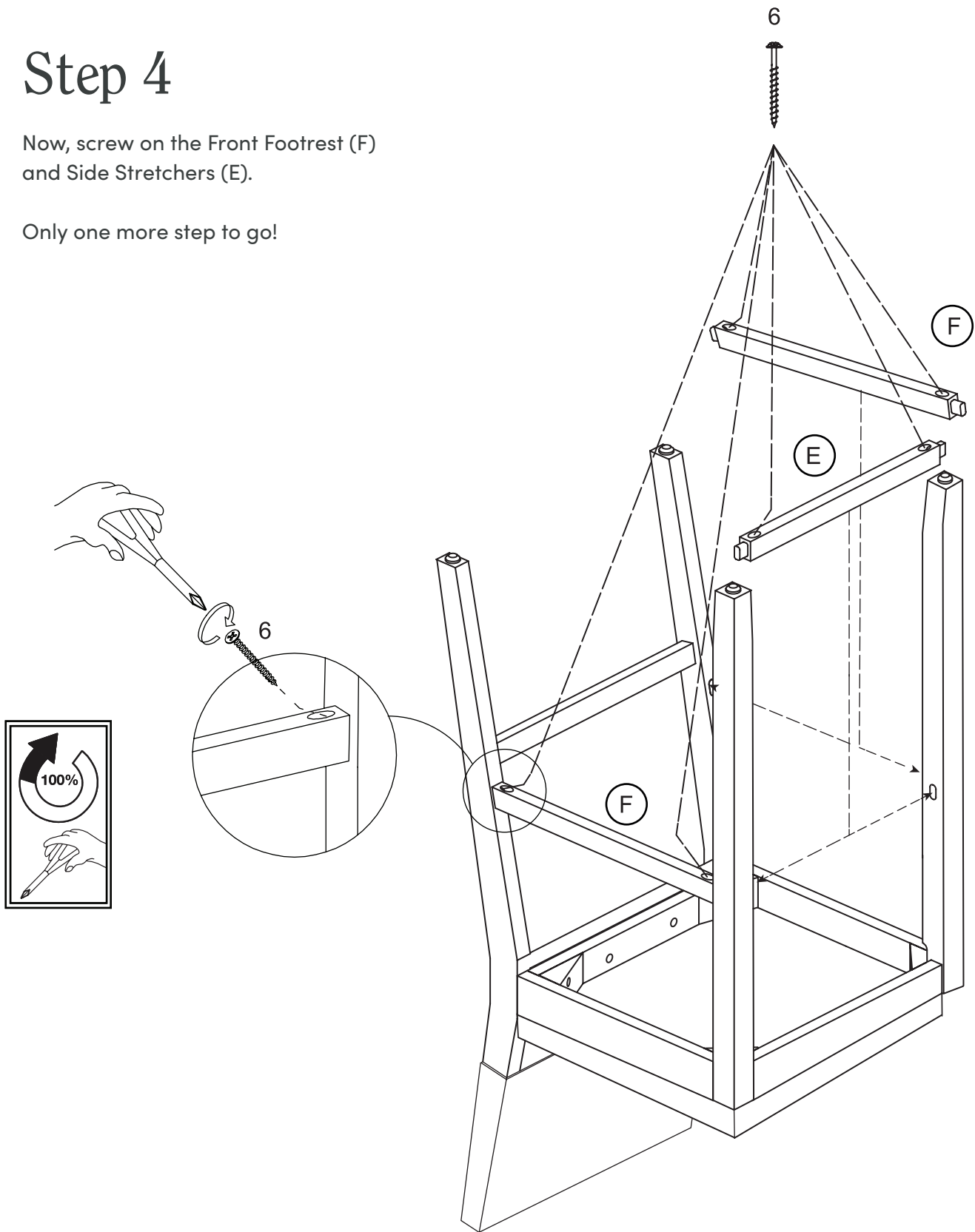
Do NOT overtighten hardware.



Step 4

Now, screw on the Front Footrest (F) and Side Stretchers (E).

Only one more step to go!



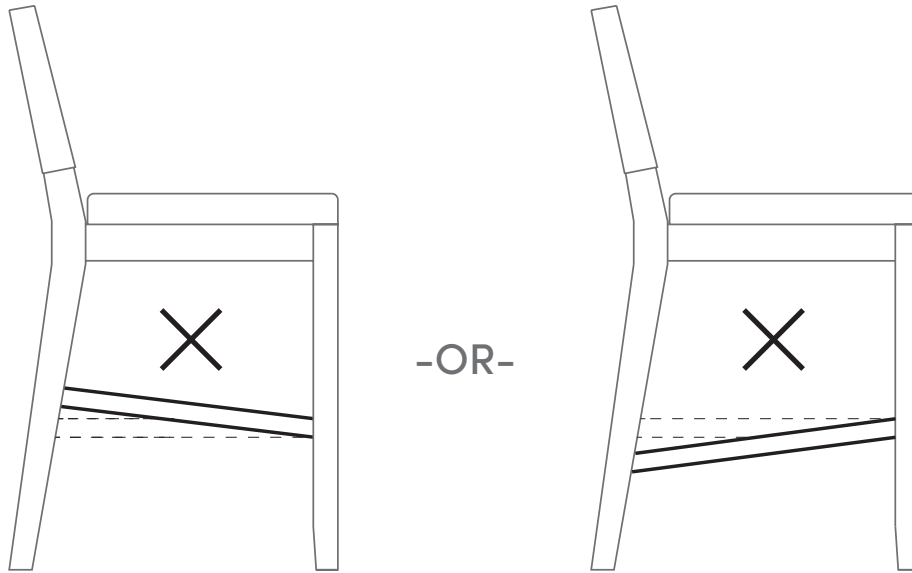
If you are having trouble getting the screws to catch, it is recommended to carefully use an electric screwdriver or drill with necessary bit for this step.



Do not over-tighten; holes may become stripped.

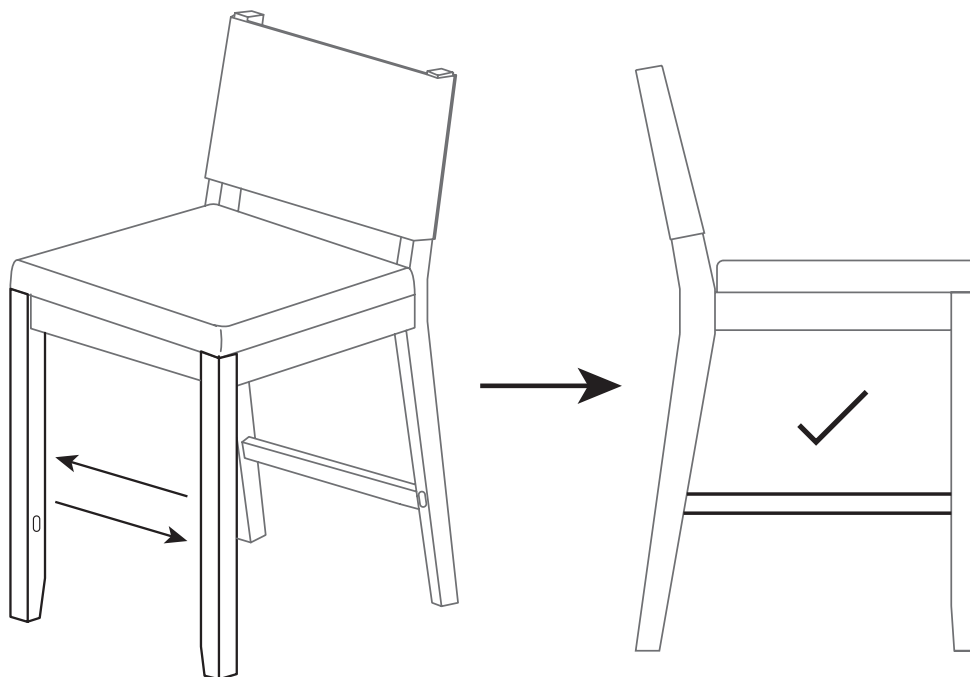
Issues with stretchers aligning at an angle?

If the stretchers are set at an angle when you are aligning them with their respective holes on the front & back legs, you have likely assembled the front legs incorrectly.



Re-check to confirm that the proper legs are installed in their intended position on the proper side of the stool.

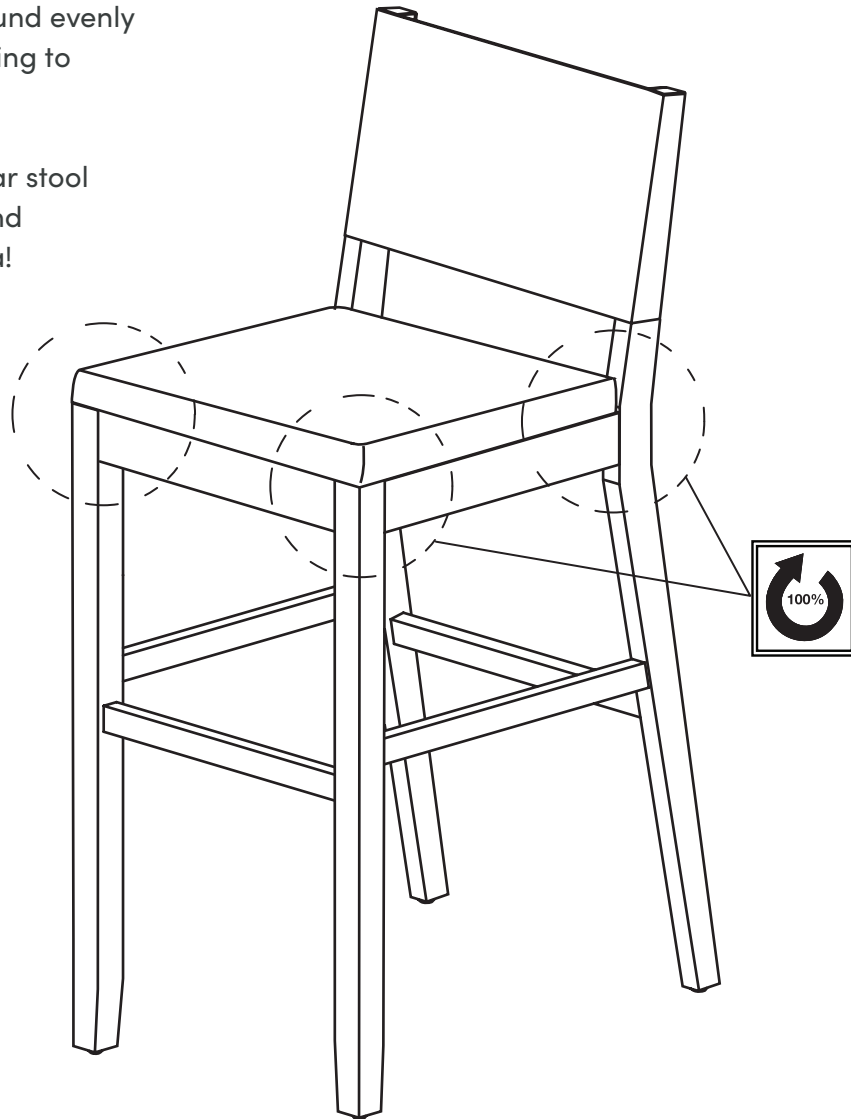
The front legs are not interchangeable; therefore they may need to be rotated and swapped to the opposite side.



Step 5

Carefully flip the stool over on a flat surface and make sure that the legs are touching the ground evenly before tightening everything to 100%.

You did it! Go tuck your bar stool into your kitchen island and celebrate with some pizza!



If your stool feels a little wobbly or unstable, re-address all fasteners to ensure they are 100% tightened.

If your stool STILL feels a little wobbly or unstable, try loosening some of the fastener connections slightly in order to allow yourself to re-level all the legs on a flat surface before going back around & re-tightening everything back to 100%.



We want your bar stool to last as long as possible, so we recommend that you tighten the screws 2 weeks after assembly and for added safety check the tightness of all screws every 2 months.

Our way



Give us a call



Replacement



You

Their way



Re-package item



Schedule pick up



Track package



Replacement



You

We really don't want you to go through the hassle of re-packaging your item and sending it back, because let's be honest...nobody has time for that.

Safety first, fun later

We want your product to last as long as possible, so we recommend that you tighten the screws 2 weeks after assembly and for added safety check the tightness of all screws every 2 months.

Safe use of this product starts with you.

Use this stool responsibly with the primary concern for your safety. Follow assembly instructions carefully and inspect product upon receipt and each use.

and its parent companies cannot be held legally responsible for any injuries or death resulted from failure to follow instructions or improper use of this product.

Do not modify the structure of this product in any way.

Our products have been tested to meet specific safety measures as they were originally intended to be sold. Any modifications will present the risk of creating significant safety issues which will not be responsible for.

Proper use

- DO NOT** use for commercial purposes
- DO NOT** place on uneven floor or surface
- DO NOT** use as a step-stool or stand on stool
- DO NOT** put hot serving liquid directly on stool
- DO NOT** leave spilled liquid on stool
- DO NOT** use if stool is damaged or broken
- DO NOT** make temporary repairs
- DO NOT** use outdoors