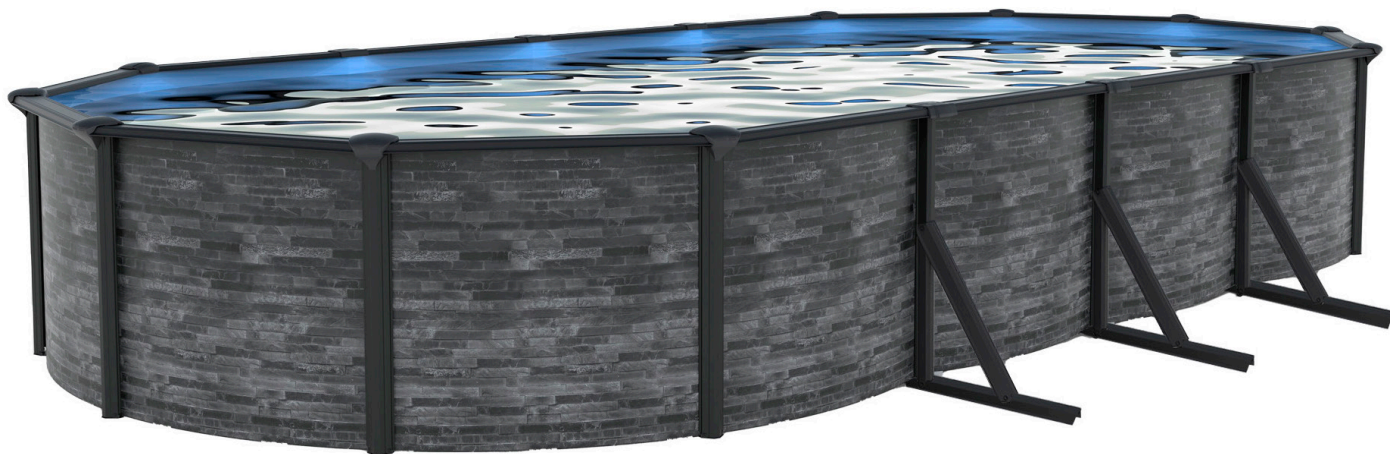




SKU# NB19861

MARBELLA 12X24-FT OVAL 52-IN DEEP STEEL WALL POOL

INSTRUCTION MANUAL



Questions, problems, missing parts?

Contact Blue Wave Customer Service at 1-800-759-0977, Monday – Friday.
8am – 5pm (CST)

THANK YOU!

Thank you for purchasing this product. We work around the clock and around the globe to ensure that our products maintain the highest possible quality. However, in the rare case of issues during assembly or use of this product, please contact **Blue Wave Customer Service at 1-800-759-0977** for immediate assistance before contacting your retailer. Please read the warranty information at the back of these assembly instructions for further details.



SAVE THIS INSTRUCTION MANUAL

Use of unauthorized replacement parts voids the warranty.

ATTENTION INSTALLER! THIS MANUAL CONTAINS IMPORTANT INFORMATION ABOUT THE INSTALLATION, OPERATION, AND SAFE USE OF THIS POOL AND MUST BE FURNISHED TO THE END USER OF THIS PRODUCT. FAILURE TO READ AND FOLLOW ALL INSTRUCTIONS COULD RESULT IN SERIOUS INJURY.

SAFETY INSTRUCTIONS

WARNING: Children have drowned in swimming pools.

WARNING: Ensure active adult supervision at all times. Do not leave children unsupervised in or around the pool. Keep them within arms reach.

WARNING: Consult local municipality, water authority, and building codes in regard to the use of water and/or water restrictions relating to this product.

WARNING: Pool fencing laws affect this product, consult the local municipality for applicable building codes. Abide by state and federal law requirements such as fencing, enclosures, childproof gates, etc.

WARNING: Always remove pool ladder when not in use. Store in a place where it is not accessible to children.

DANGER: Prevent the risk of accidental drowning. Extreme caution must be exercised to prevent unsupervised access by children. To avoid accidents, ensure that children cannot use the pool unless they are always supervised by an adult. NEVER LEAVE CHILDREN UNATTENDED.

RISK OF ELECTRIC SHOCK: Connect the filter pump only to a grounding type receptacle protected by a GFCI (Ground Fault Circuit Interrupter). Use a qualified electrician to install the GFCI, which has a maximum rate of 30A.

WARNING: Always know where the cut-off switch for the pump is, so it can be turned off in an emergency. It is necessary to have the GFCI Cut-Off Switch plug accessible after installation of the pool.

WARNING: To avoid electrocution, do not permit electric devices i.e., electric lights, telephone, radio, television, hair dryer, etc. within 8-ft of this pool.

WARNING: Do not touch the filter pump unless the area around it is completely dry.

WARNING: NEVER allow horseplay, diving, or jumping into or around the pool.

WARNING: NEVER jump into the pool via any decks or other raised surface, the water level of the pool is shallow. Serious injury, paralysis, or death could result.

CAUTION: It is advisable to wear protective gloves when assembling pool.

WARNING: Follow all safety and installation instructions provided with the filtration system, ladder, and accessories



GENERAL WATER SAFETY

- ALWAYS supervise children around water.
- Ensure a pool fence is correctly installed and functioning if it is required by your local municipality or state code.
- Follow all local and National Pool Safety Codes.
- Learn CPR and keep in practice.
- Post emergency phone numbers near a phone and the pool.
- Teach your children to swim as early as possible.
- Keep any object that could be used by a child to climb into the pool at least 4-ft away from the side of the pool.
- Read these safety instructions to your children often.
- Prepare yourself mentally for any situation that may occur. You may be required to offer adequate aid and assistance.
- Many swimming pool and water safety publications are available online. You are urged to review them and share with all members of your family.

GENERAL WATER SAFETY (CONTINUED)

- Name only one safety supervisor when people are in the pool.
- Reinforce supervision when there are several users in the swimming pool. Have personal flotation aids available (for people who cannot swim).
- Wet your neck, arms, and legs before you enter the water.
- Do not allow children who are unable to swim to enter the pool without swim vest or approved life jacket, and without adult supervision. Flotation devices are not a substitute for adult supervision.
- Do not leave toys near or in the pool without supervision.
- Always keep the water clear and sanitized.
- Store the water treatment products away from children's reach.
- Do not leave children alone when you are talking on or looking at your phone.
- Always keep a pool buoy and pool pole at the pool side.
- Keep the pool fence gate shut when the pool is not occupied.
- If possible, use an electronic pool alarm that can detect someone falling into a pool.
- Install all warning and danger decals and signs as instructed.
- Contact the dealer or retailer for additional signs if deemed necessary.

THERE IS NO REPLACEMENT FOR CLOSE ADULT SUPERVISION OF CHILDREN

SAVE THESE INSTRUCTIONS

PARTS LIST

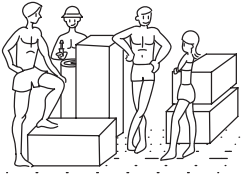
NB19861

See pages 7 and 8 for schematic.

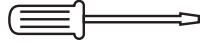
REF. #	PART #	MFG. #	DESCRIPTION	QTY.
WALL CARTON (PC6439, 241252-CMN-W)				
15	-	-	12x24-FT Marbella Wall	1
14	NBP1019	8100	Plastic Coping Strips	15
NBP1021 - 0113 Wall Bolt Hardware Pack contains:				
10	-	0411	1/4-IN Reinforcing Washer	51
10	-	0513	1/4 x 1/2-IN Truss Head Screw	26
10	-	0611	1/4-IN Hex Nut	26
RAIL CARTON (PC5070, 2412-5/8RAIL-2)				
13	NBP1024	1212	5/8-IN Top and Bottom Rail	32
FRAME CARTON #1 (PC6425, 241252-6H-DG-2)				
12	NBP6264	1161DG	6-IN Top Seat	16
19	NBP6258	2366DG	5-IN Vertical	10
FRAME CARTON #2 (PC6426, 2412-AQL-DG-3)				
16	NBP6259	2465DG	Inside Seat Cover	10
18	NBP6260	2466DG	Outside Seat Cover	10
4	NBP6265	3462DG	6-IN Side Seat Cover	6
17	NBP1068	2168	6-IN Resin Top Joint	10
20	NBP1069	2268	6-IN Resin Bottom Joint	10
5	NBP1004	3177	Resin Side Top Joint	6
6	NBP1070	3234	Resin Side Bottom Joint	6
NBP6266 - 0119-02-2412DG Hardware Pack contains:				
22	NBP1203	0341	#12 Sheet Metal Screw	110
22	NBP1073	2402DG	Seat Cover Cap	10
BRACED OVAL FRAME CARTON #3 (PC6427, 2412-RG11-DG-A)				
1	NBP6267	3314DG	Braced Oval Side Vertical	6
2	NBP6268	4106DG	Brace	6
3	NBP1210	5239	Braced Oval Horizontal Support	6
11	NBP1011	6254	Pressure Plate	6
9	NBP1012	7224	Braced Oval End Strap	6
10	NBP1014	7254	Middle Strap	3
NBP1000 - 0104 Braced Oval Bolt Pack contains:				
7	-	0341	#12 Sheet Metal Screw	24
7	-	0423	Plain Washer	39
7	-	0623	M8 Hex Nut	39
7	-	0923	M8 x 20 Hex Head Bolt	39
NBP1001 - 0105 Tension Strap Bolt Pack A contains:				
8	-	0623	M8 Hex Nut	66
8	-	0923	M8 x 20 Hex Head Bolt	66
SKIMMER CARTON (NA324ASM)				
23	NA324ASM	NA324	Widemouth Skimmer and Return	1

PARTS LIST (CONT.)

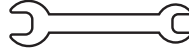
ADDITIONAL EQUIPMENT REQUIRED:



Friends



Screwdriver



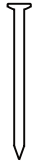
Wrench



Knife



Spray Paint



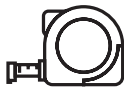
8-IN Nail



Mason Sand



Duct Tape



Measuring Tape



Gravel



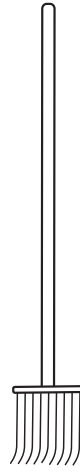
Level



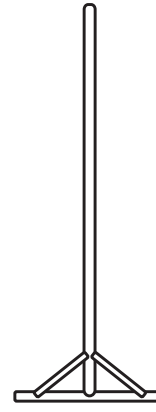
Roller



Shovel



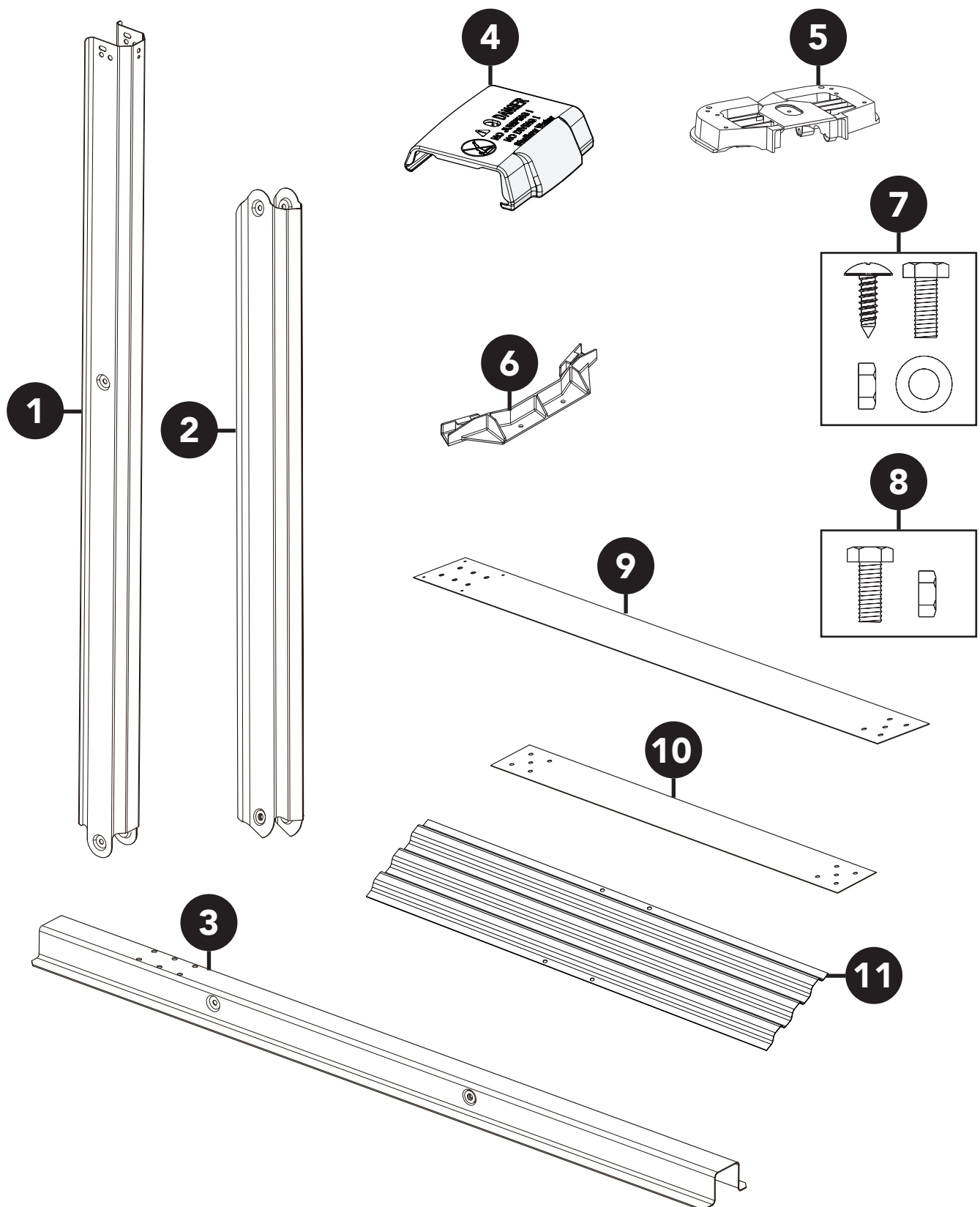
Rake



Tamping Tool

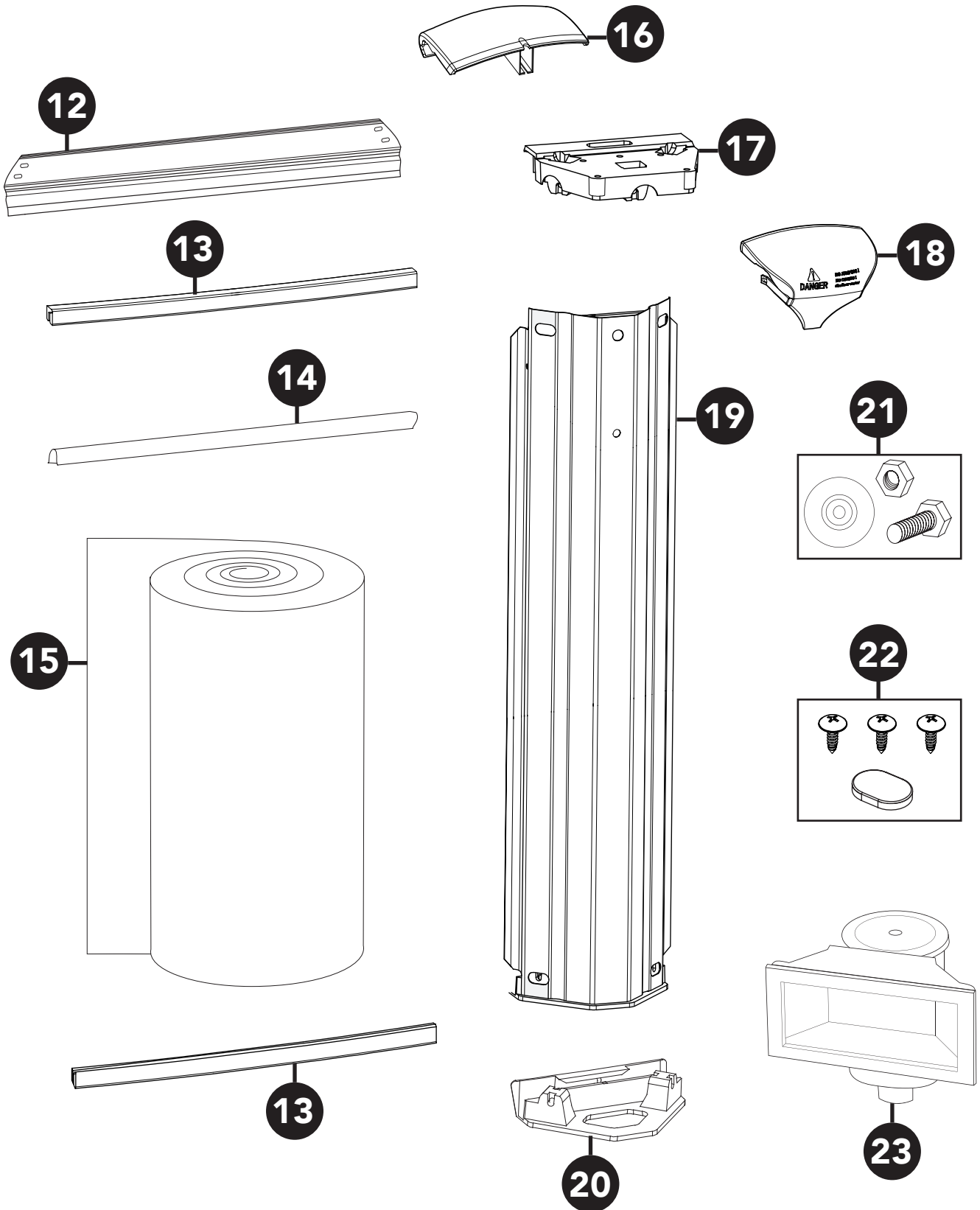
PARTS LIST (CONT.)

SIDE BRACES



PARTS LIST (NOT TO SCALE)

POOL AREA



GENERAL INFORMATION

Before attempting to set up the pool, read the entire instructions. There are certain areas in the instructions that are extremely important to follow exactly as written and/or pictured. Any deviation from these instructions voids warranty of the pool and could cause bodily harm or damage to your property.

Open the cartons and remove all parts except steel wall and liner. Before pool assembly, you must identify, count and check all parts for assembly by parts list. Familiarize yourself with all of the parts. Refer to the parts list.

NOTE

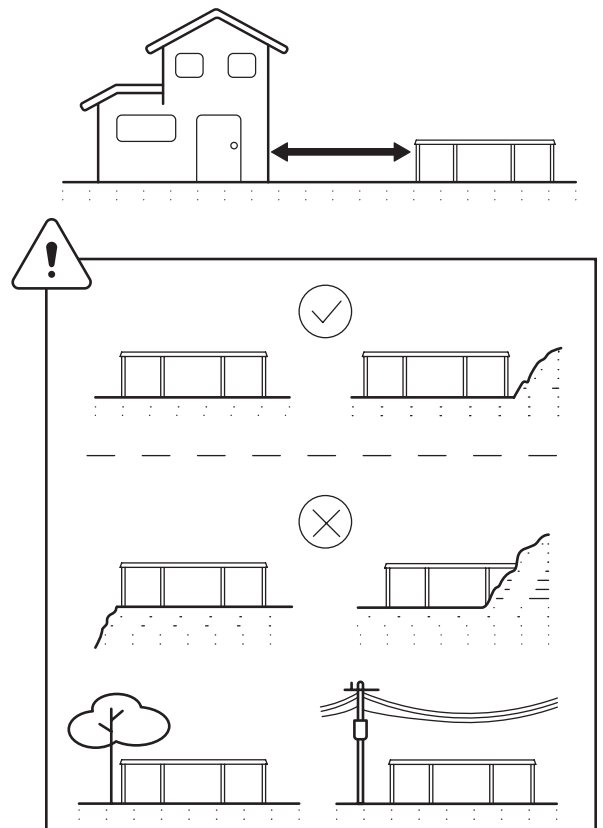
Do not start the installation of your pool unless you have an entire day to finish the work. Do not try to set up your pool on a windy day. The wall will be difficult or even impossible to handle.

POOL SIZE	POOL PERIMETER	# OF UPRIGHTS	# OF PATIO BLOCKS	AMOUNT OF SAND NEEDED	# OF WALL FOAM ROLLS NEEDED*	# SPRAY ADHESIVE CANS NEEDED*	# OF POOL COVES NEEDED*
12 X 24-FT	15 X 30-FT	10	10	50.84 YD ³	1 - 85-FT ROLL	4	16
15 X 30-FT	18 X 36-FT	10	10	79.44 YD ³	1 - 100-FT ROLL	4	19

* See page 22 for buying options

CHOOSING A LOCATION

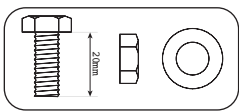
1. When choosing a site, the area around the pool must be large enough to accommodate patio furniture and other pool accessories.
2. Determine where your filtration and skimmer will be located. It must be connected to a grounded 110 volt electrical outlet, with a G.F.I. (Ground Fault Interrupter).
3. The pool must be in reach of your water supply. Although the water should not be drained, but kept clean through filtration and chemicals, there should be drainage facilities near in case of need.
4. The perimeter of the pool area must be level and firm. All grass and sod under the entire pool area must be dug out to avoid unpleasant odors from decomposition due to lack of air. If the ground has been treated with chemicals or weed killer allow two weeks before setting up the pool.
5. Remove sharp objects, stones, twigs, pebbles, roots, etc. as they may damage the liner. Do not set up the pool on concrete, asphalt, tar paper, peat moss, coarse sand, gravel, or where nut grass has been planted. Liner is not warranted against this.



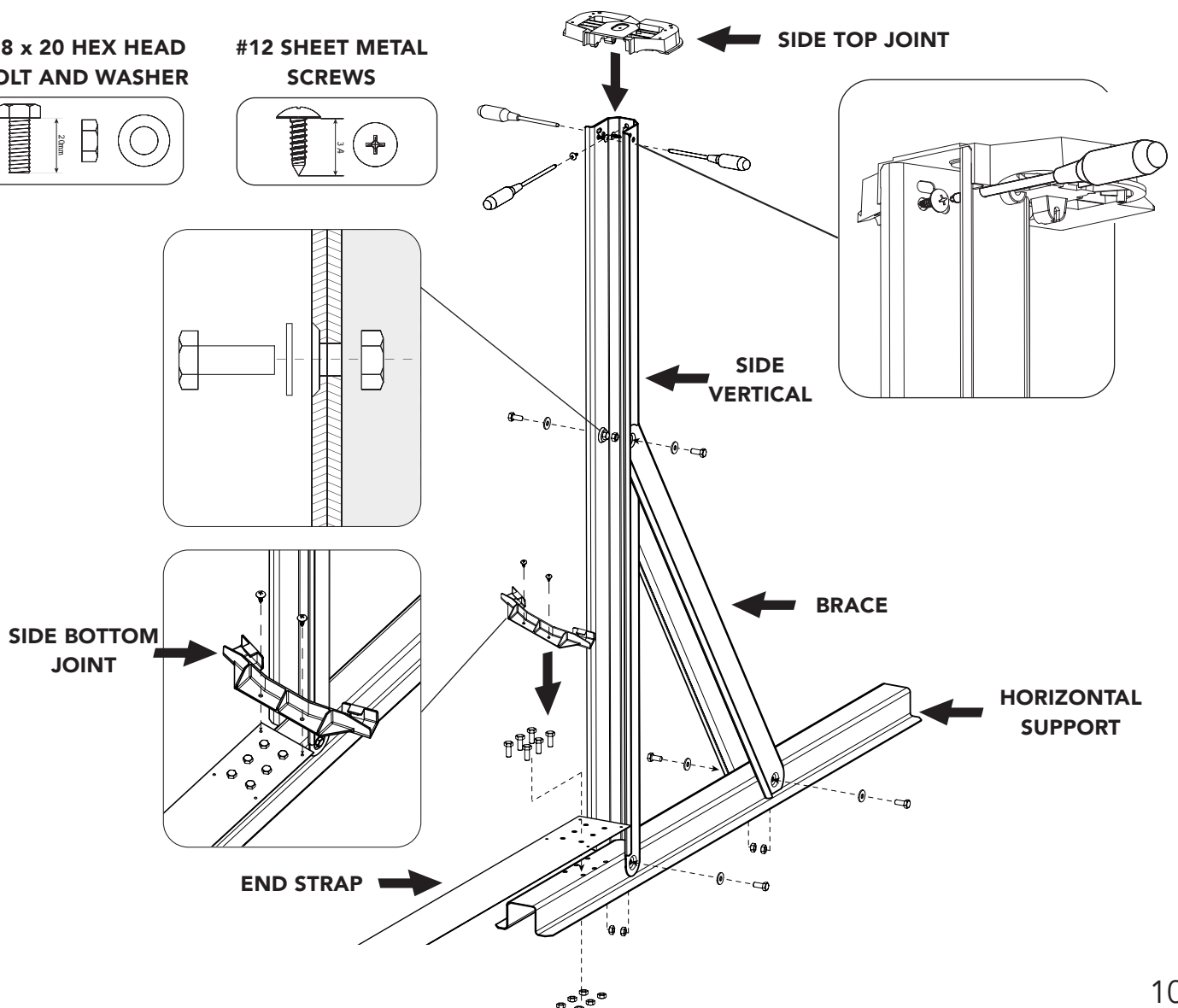
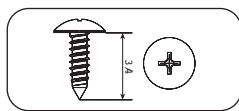
ASSEMBLING THE SIDE BRACES

1. Connect the side vertical to the horizontal support by using M8 x 20 Hex Head Bolts and plain washers (NBP1000) in the marked areas. Insert the bolts and washers from the outside and use M8 nuts to fasten tightly from the inside.
2. Connect the brace to the side vertical and the horizontal support by using M8 x 20 Hex Head Bolts and plain washers (NBP1000).
3. Connect the side top joint to the top of the side vertical by using #12 sheet metal screws (NBP1000). Thread the screws into the side top joint from the inside of the side vertical.
4. Connect the end strap to the horizontal support by using M8 x 20 Hex Head Bolts and plain washers (NBP1001).
5. Connect the side bottom joint to the top of the end strap using #12 sheet metal screws (NBP1000).
5. Assemble all side braces and set aside.

**M8 x 20 HEX HEAD
BOLT AND WASHER**



**#12 SHEET METAL
SCREWS**

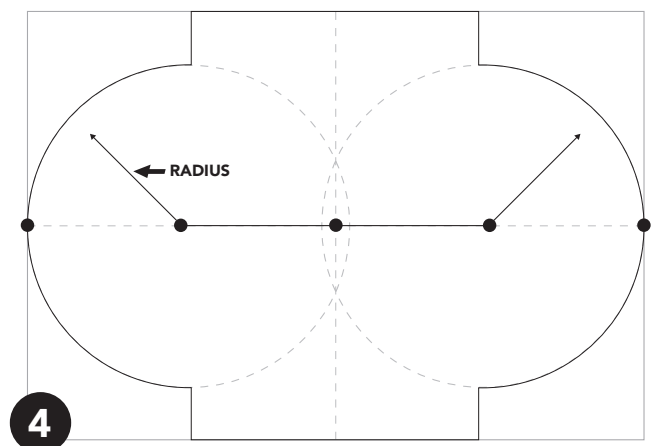
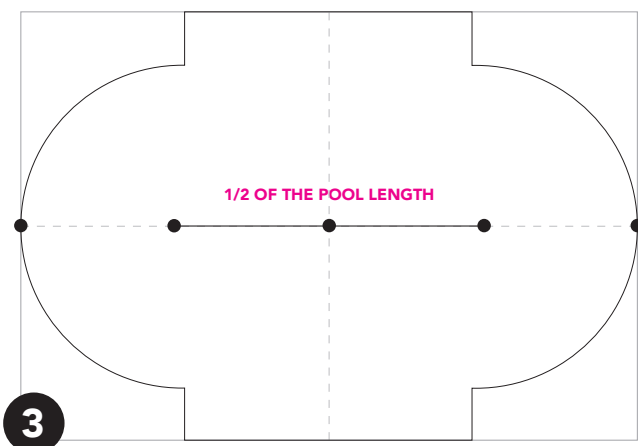
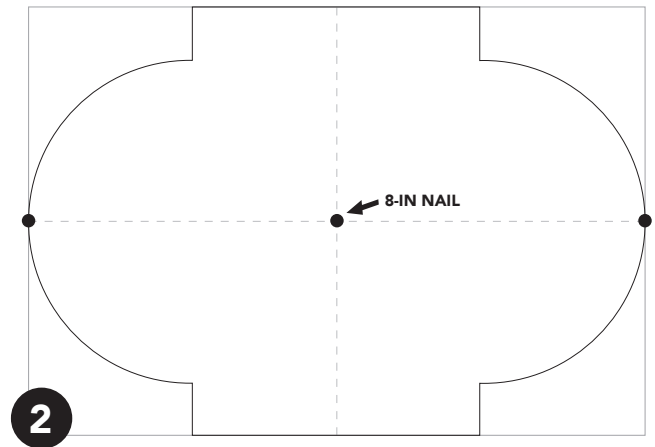
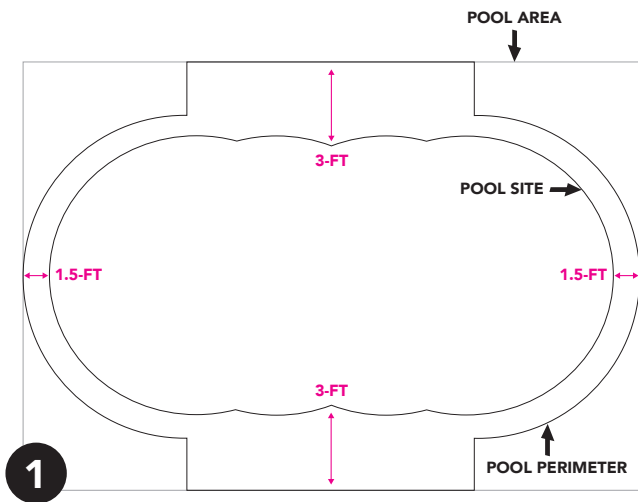


PREPARING THE POOL SITE

1. Determine the overall pool area by marking out a rectangular space adding 3-FT to each side and 1.5-FT to each radius. The extra 6-FT on the width side will allow room for the side braces.

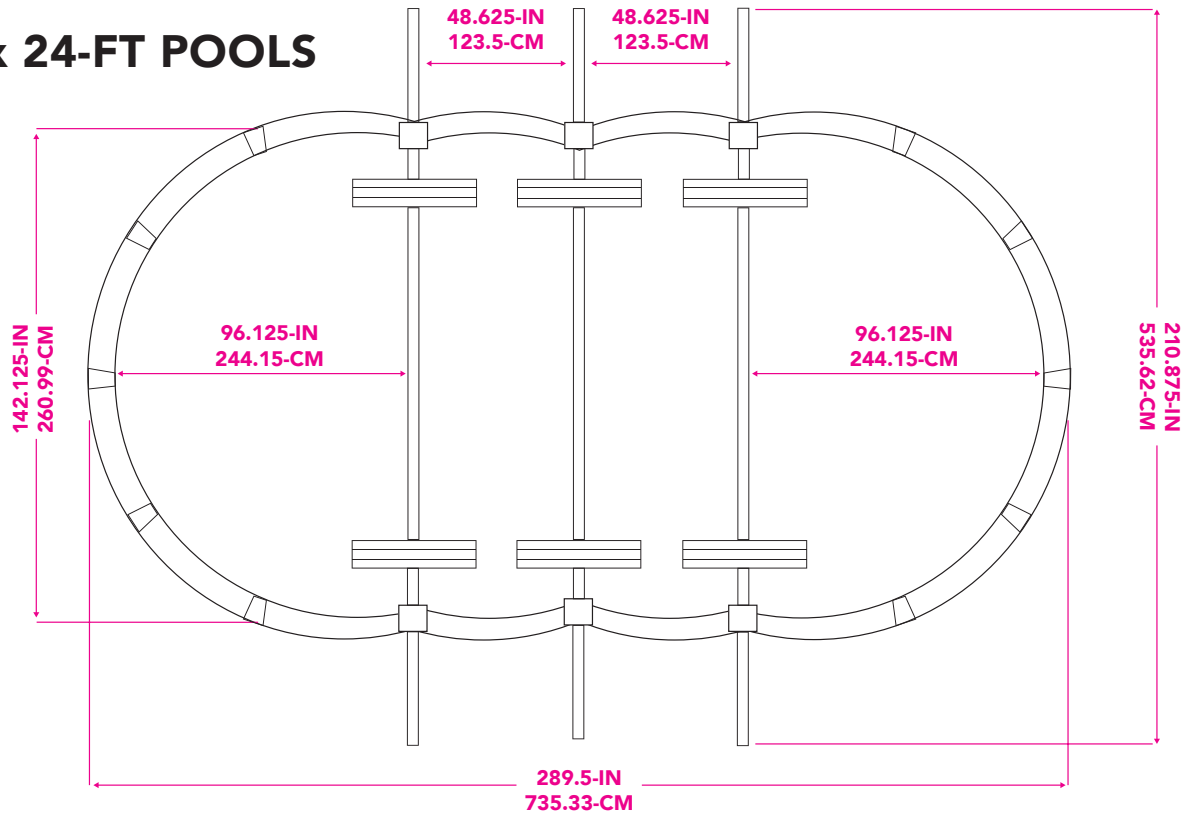
POOL SIZE	POOL PERIMETER
12 X 24-FT	15 X 30-FT
15 X 30-FT	18 X 36-FT

2. After marking out the pool area, locate the dead center of the area and mark it with an 8-IN nail.
3. To determine the radius of the pool's swimming area, divide the length of the pool by half. If your pool is 24-FT long, the center line will be 12-FT long. If your pool is 30-FT long, the center line will be 15-FT long. Place 8-IN nails in both ends of this line.
4. From those two end points, have a friend hold a string or tape measure to create the circumference of the swimming area and mark it with spray paint.

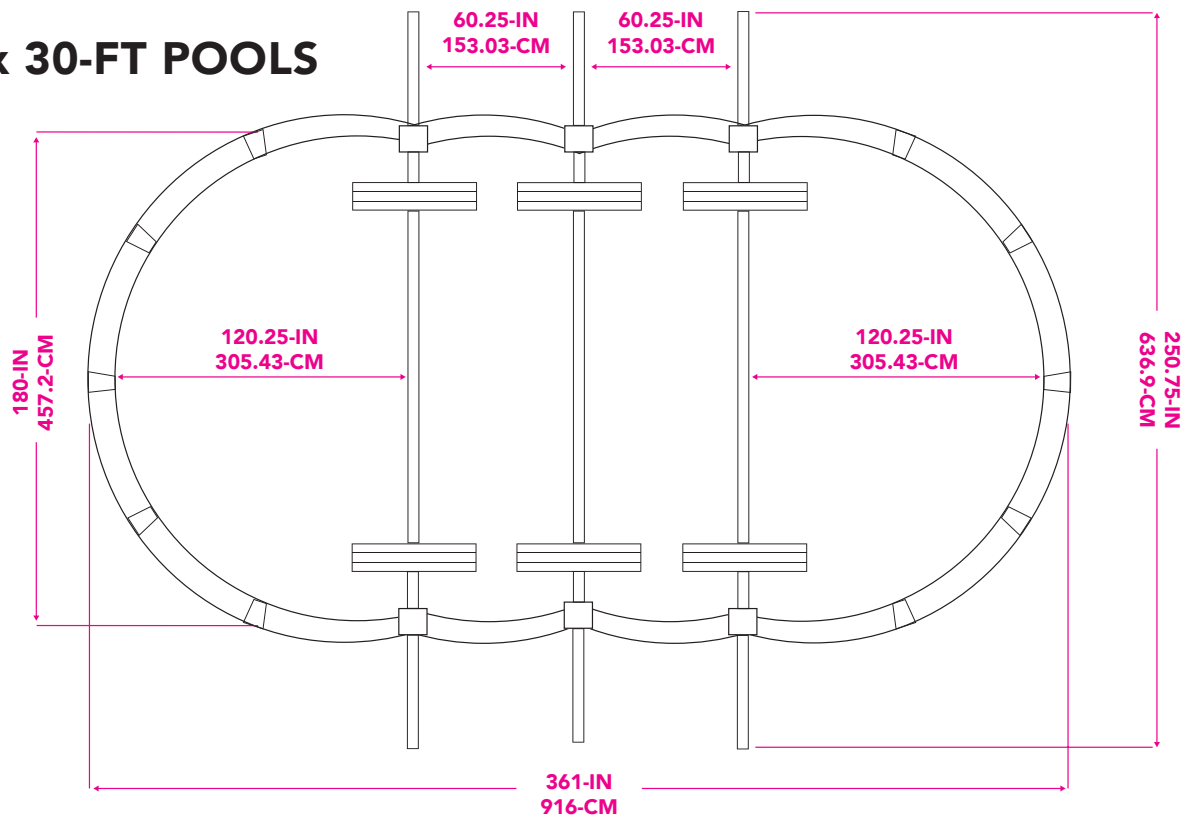


PREPARING THE POOL SITE (CONT.)

12 x 24-FT POOLS

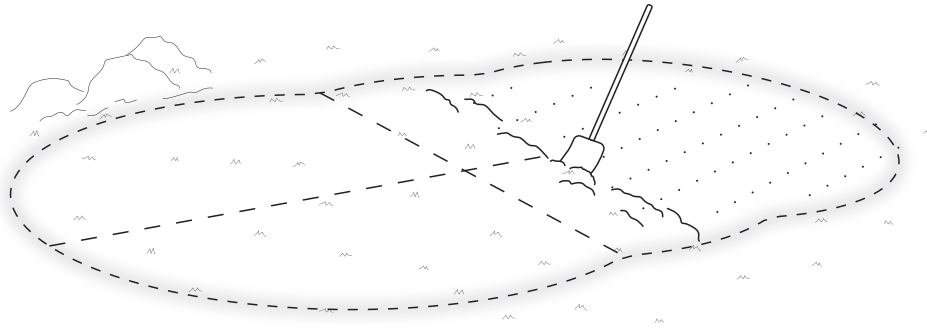


15 x 30-FT POOLS



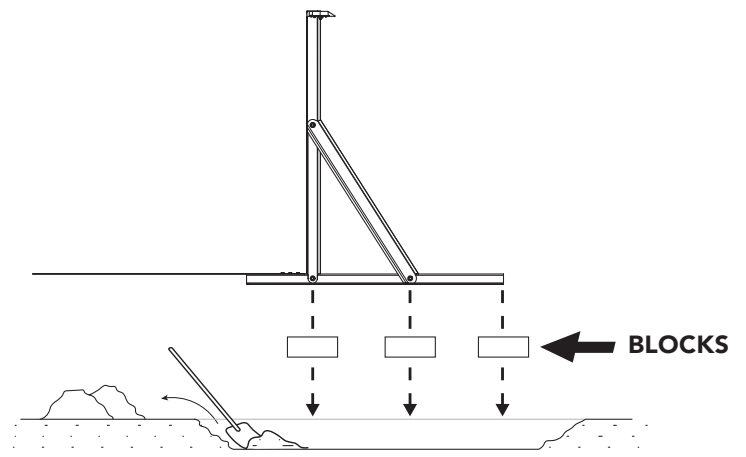
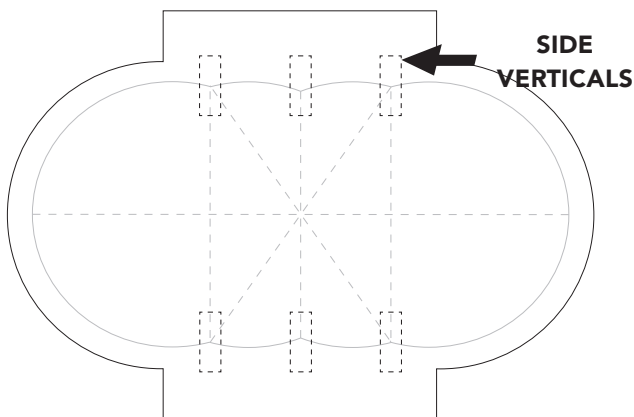
PREPARING THE POOL SITE (CONT.)

5. After the pool area has been marked off, use a shovel to remove all grass and sod from the pool area. Make sure the entire pool area is level, not just to the naked eye, but by using a leveling tool.
6. Remove all high spots in the area, but do not fill in the low spots, as setting may cause your pool to become uneven. The ground below the pool must be firm.



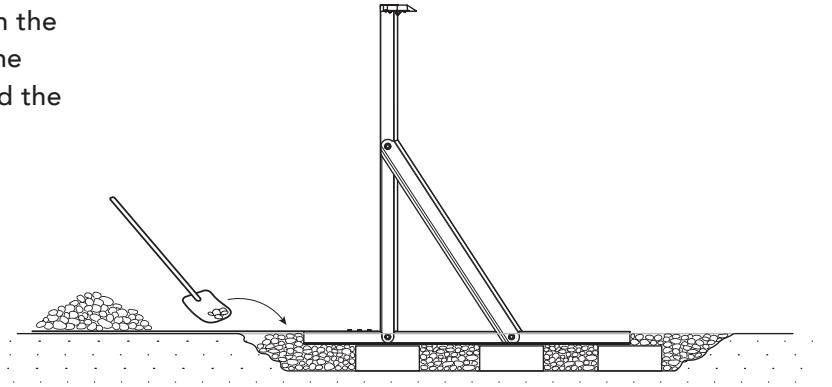
PREPARING THE SIDE SUPPORT TRENCHES

1. Find the center point of the pool and place the assembled middle side verticals in their predetermined location.
2. Place the remaining side verticals equidistant from each other. Refer to the chart on page 10 for exact measurements.
3. After ensuring each side vertical is evenly placed, place three 12x12-IN patio blocks under each side vertical. Mark the space around each patio block and dig out the dirt beneath them, creating a trench for each block to fit securely, but leaving enough space for the horizontal support to be flush with the ground while seated on top of the blocks. Do not over excavate the dirt around the blocks.



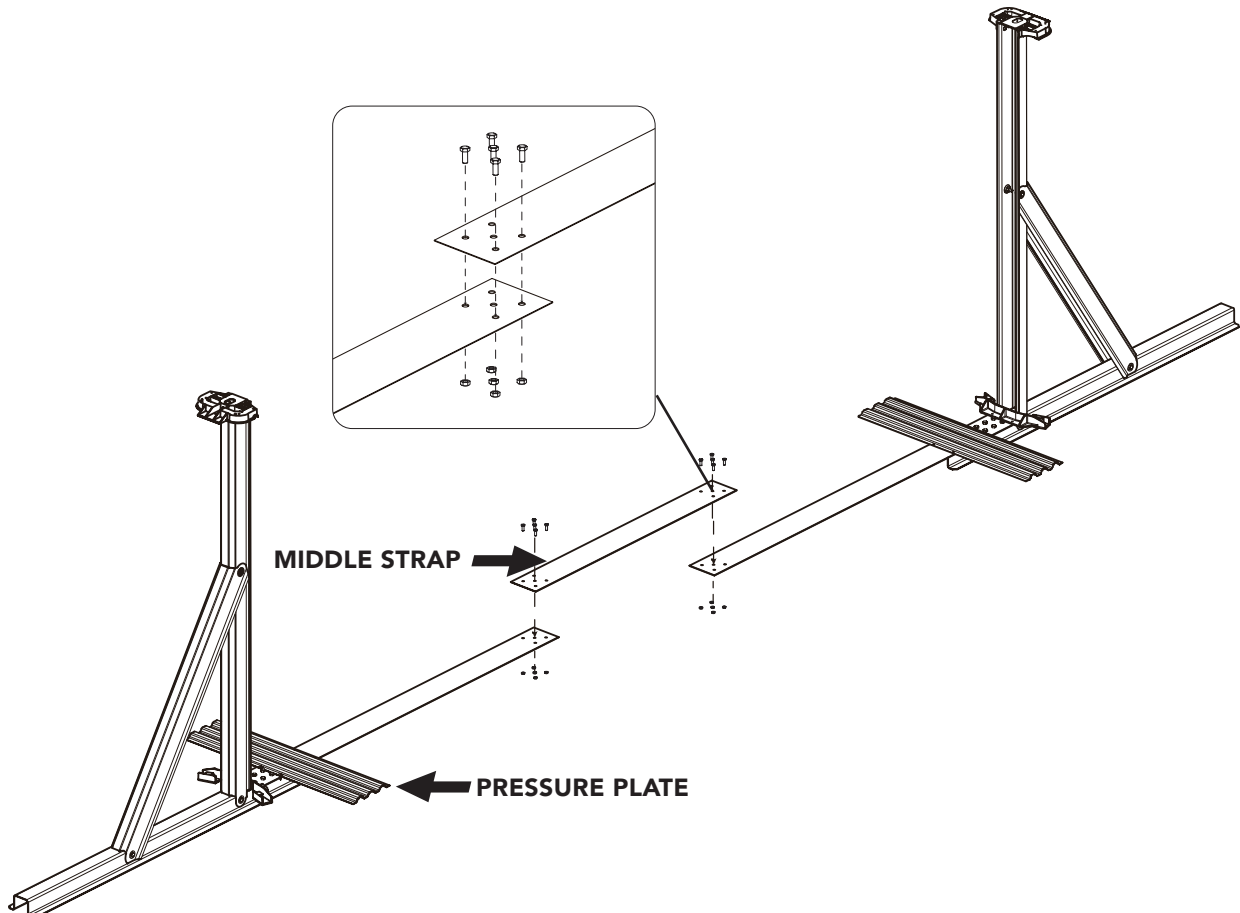
PREPARING THE SIDE SUPPORT TRENCHES (CONT.)

4. After digging out the trenches and ensuring that all side verticals and patio blocks are level in the ground, fill in the remaining space around the blocks with gravel and pack in tightly around the horizontal support.
5. Repeat for all side verticals.



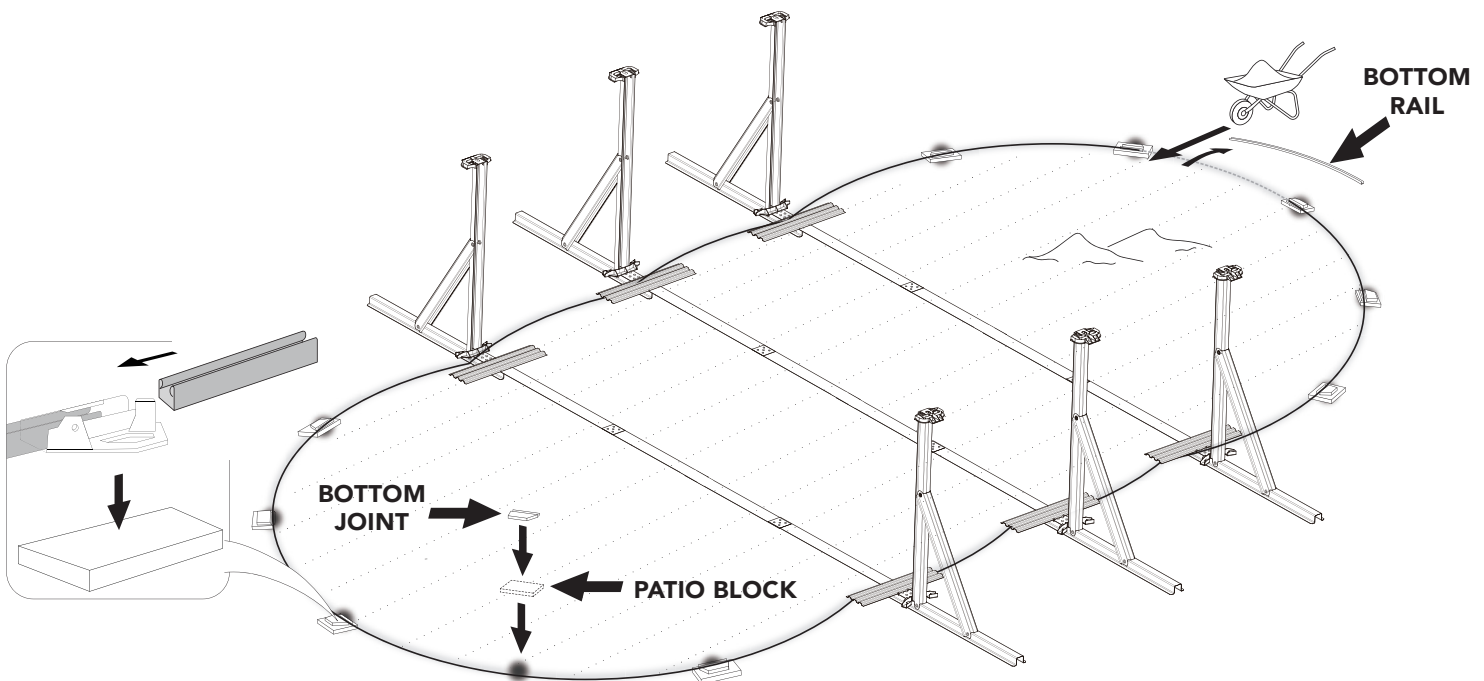
CONNECTING ALL OVAL PARTS

1. When the ground around the side support trenches is level with gravel, attach the pressure plates to the top of the end straps using #12 sheet metal screws (NBP6266). The pressure plates will extend about 1-IN from the side bottom joint towards the center of the pool.
2. Connect the middle strap to the end straps of each side vertical using M8 x 20 Hex Head Bolts and M8 Hex Nuts (NBP1001). The middle strap will run underneath the liner of the pool.



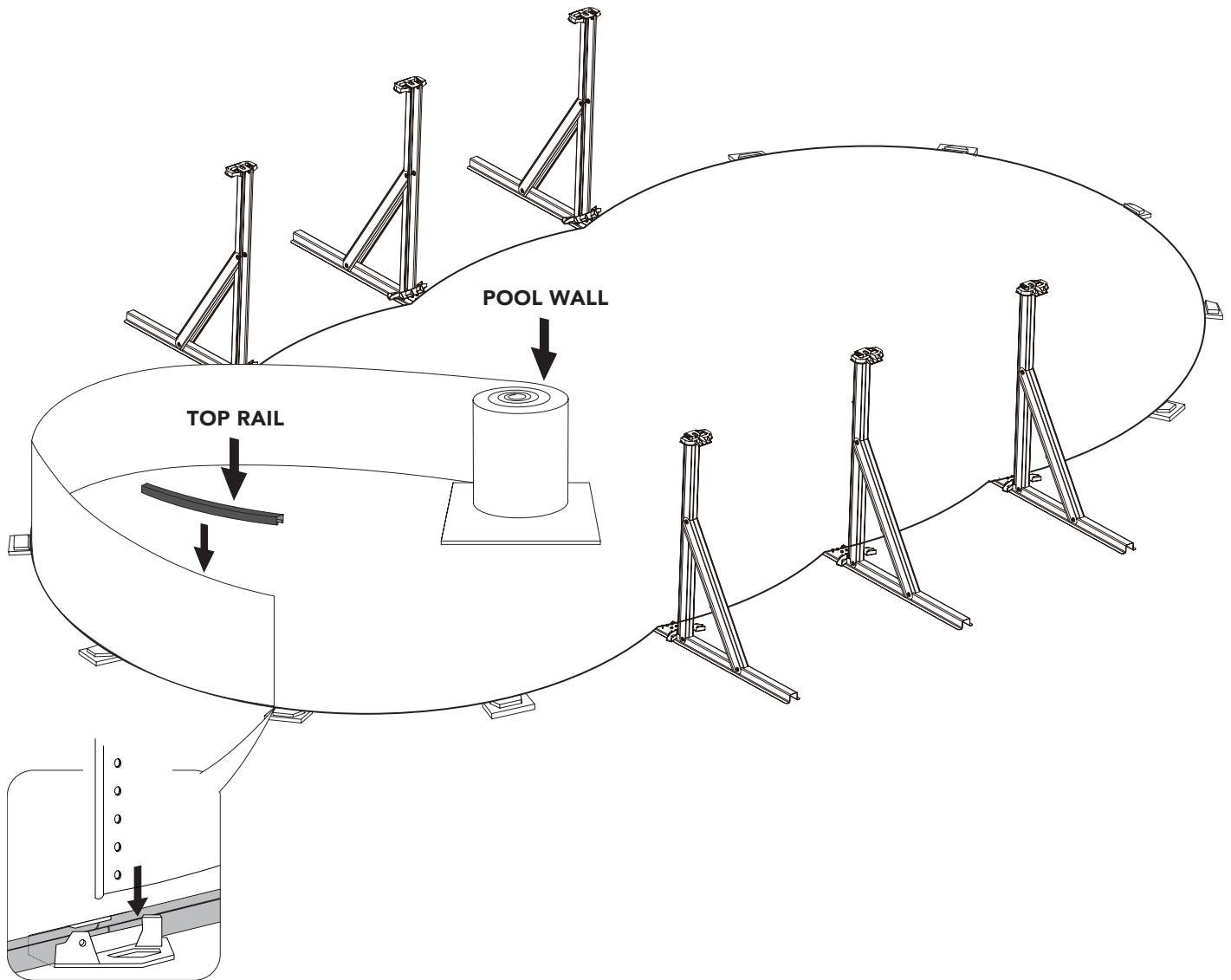
ASSEMBLING THE BOTTOM RAIL

1. Place each curved bottom rail around the circumference of the pool.
2. Place the bottom joints on the marked locations around the pool area. Slide the bottom rail's grooves into the bottom joint to the stop tab.
3. Continue around the entire space until all bottom rails are connected. After the bottom rails are installed, check for levelness from the center nail around the entire area, the distance should be the same from every point.
4. After ensuring the bottom joints are even and level, place 12x12-IN patio blocks under each bottom joint. The top of the blocks must be flush with the ground and centered under each end joint. Mark the space around each patio block and dig out the dirt beneath them, creating an indentation for each block to fit securely. Check that each block is level.
5. Check that all bottom rails are level around the entire pool frame. Remove any debris from the bottom rails.
6. Remove one bottom rail from the frame. Use this space to bring in the mason sand or sifted earth. Add a 1 to 2-IN layer of sand and spread it evenly using a rake. When the layer of sand is level, remove the wheelbarrow and replace the bottom rail.



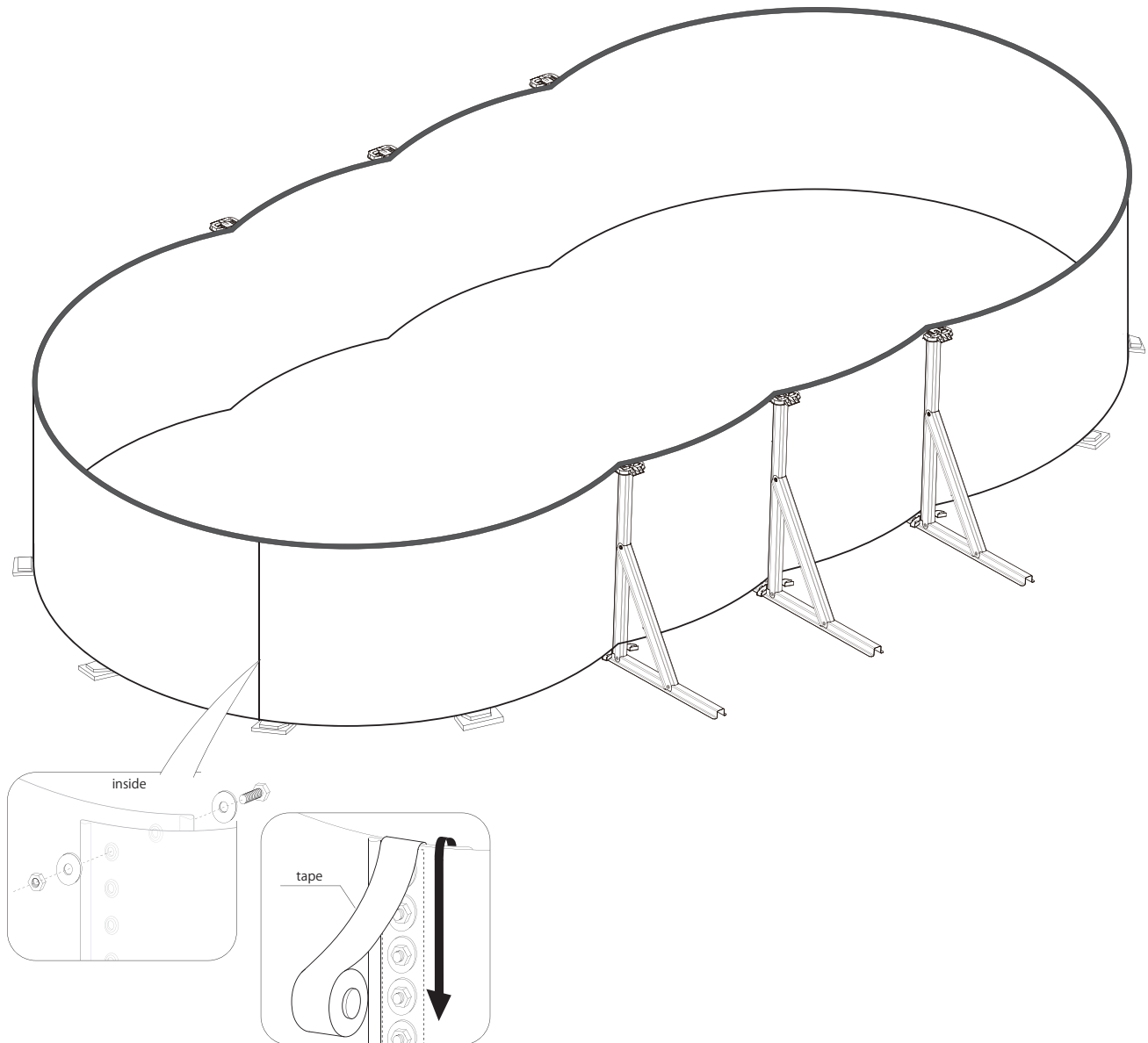
ASSEMBLING THE POOL WALL

1. Place the rolled up pool wall in the center of the pool area. It is recommended to use a piece of plywood under the pool wall as to not disturb the level sand.
2. With one person on the outside of the pool and one person on the inside, start unrolling the pool wall going clockwise. Place the start of the wall in the center of one of the end caps closest to where the skimmer and return will be placed.
3. Unroll the wall a little at a time, placing it into the track of the bottom rail as you go. Do not unroll the wall at one time, this will make installation more difficult.
4. While unrolling the wall, place the top rail on top of the wall to temporarily stabilize it.



ASSEMBLING THE POOL WALL (CONT.)

5. Bring the two ends of the wall together. Secure the walls together by inserting the bolts (NBP1021) from the **INSIDE** of the pool outward. Fasten the bolts from hole to hole all the way down the wall. Do not leave any holes open.
6. When each screw has been fastened, use a strip of duct tape to cover the inside and outside of the bolts.
7. Check the levelness of the top of the wall. If it's more than 2-IN off level, rework the ground.



NOTE

Do not fasten the wall without using the reinforcing washers on the inside and outside of the pool. Failure to use reinforcing washers as instructed will cause the wall to split when the pool is filled. This can cause property damage or bodily harm.

BLUE WAVE® WALL FOAM

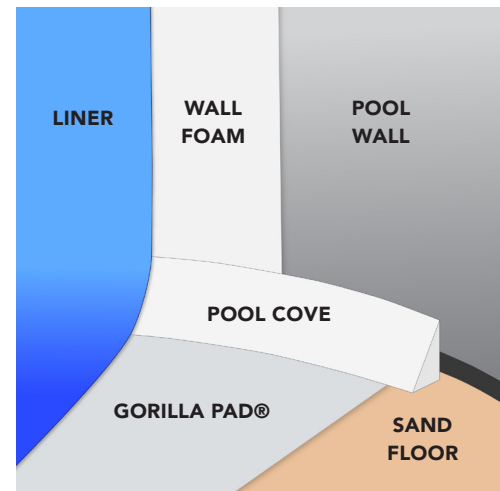
It is recommended to use wall foam around the interior of the pool to protect the pool liner. Wall foam protects between the pool wall and liner. It also helps to keep the pool insulated. Wall foam and spray adhesive sold separately. See the chart on page 14 for the amount of rolls needed for your pool size.

1. Use the spray adhesive in small sections and press the foam onto the wall. Smooth out any creases and bubbles before installing the liner.

GORILLA PAD®

Gorilla Pad® are another recommended part of the pool assembly. Gorilla Pad® provide cushion to the pool floor and adds mild protection for the liner. Use the chart on page 14 to find the correct size for your pool.

1. Before installing the Gorilla Pad®, be sure to use a roller or tamping tool to even out the sand floor.
2. Unfold the Gorilla Pad® over the leveled sand floor and center it in the pool area.

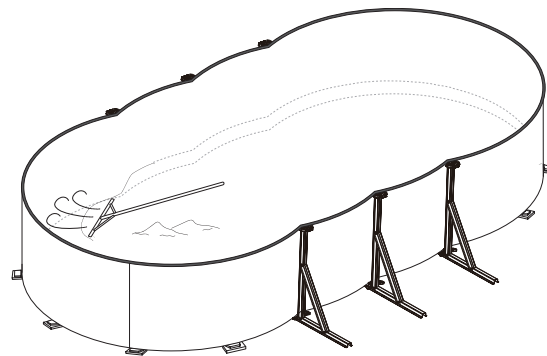


BLUE WAVE® POOL COVE

Creating the pool cove is an essential part of pool installation and must be done properly. Pool coves relieve water pressure from the pool wall, preventing damage done to the liner by pushing it out from under the bottom rail. There are two different types of pool coves, earth mounds and permanent coves. Earth mounds are good for soil or sand that will pack well and are best for areas that don't experience a lot of rainfall. Permanent pool coves, or foam pool coves, are easy to install and won't erode over time from rainfall.

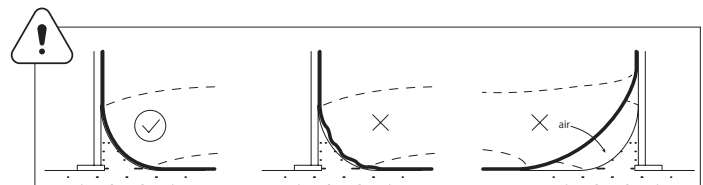
BUILDING A POOL COVE

1. Use a rake or tamping tool to create a mound around the interior of the pool wall. This mound must be 3 to 6-IN high and should extend 8 to 12-IN away from the wall. Pack the sand gently but firmly.



USING BLUE WAVE® PERMANENT COVES

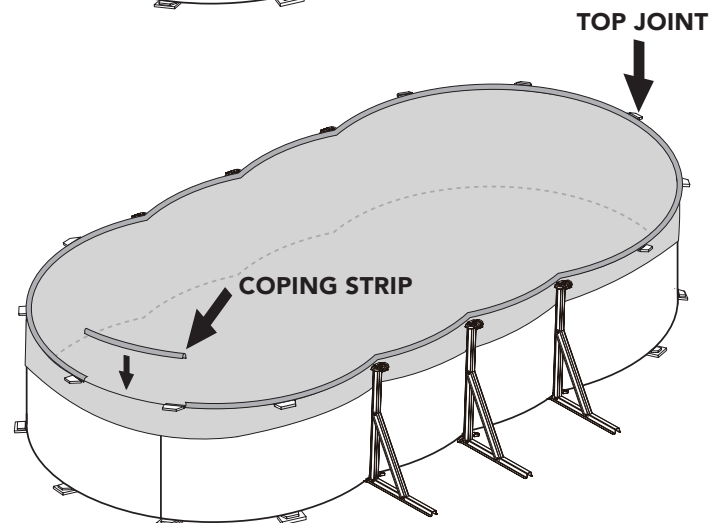
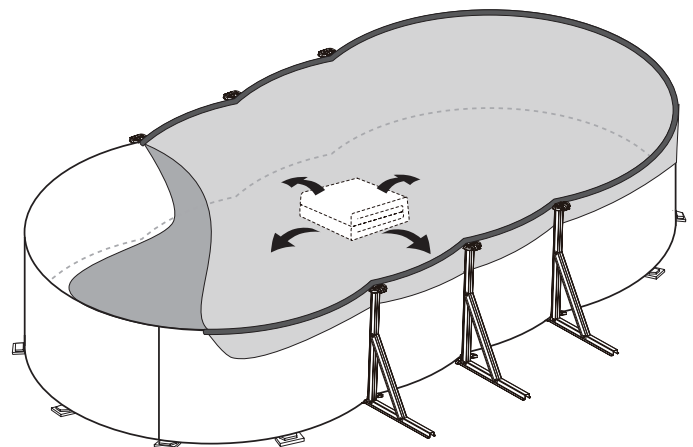
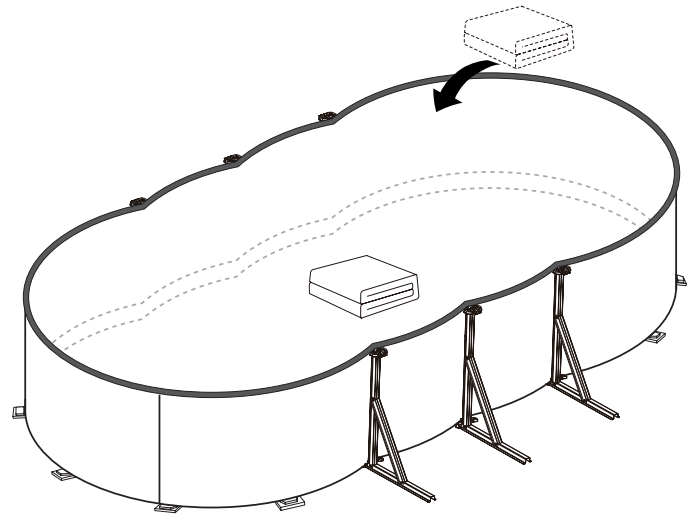
1. Foam pool coves are designed to sit on the bottom rail of the pool. Peel the plastic off of the back of the cove and press firmly into place. Continue around the entire perimeter of the pool.



INSTALLING THE LINER

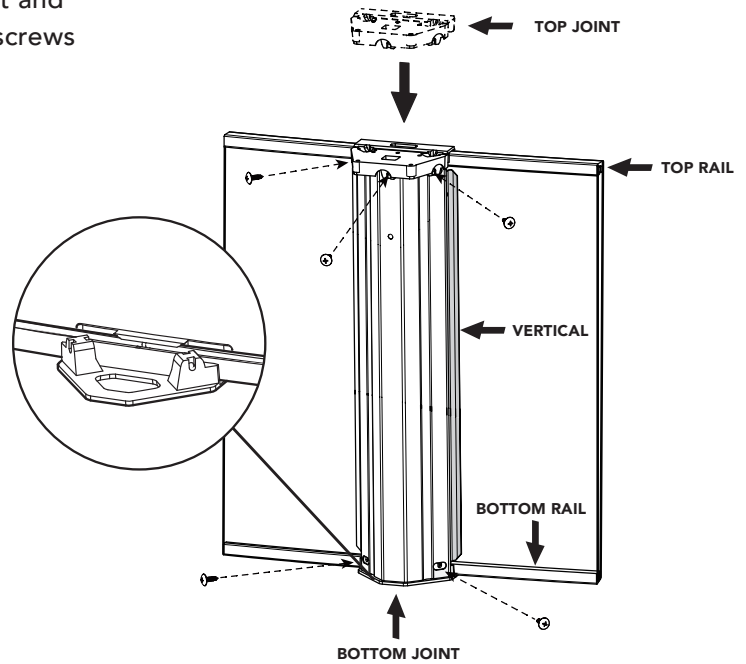
If you did not install a floor pad, be sure to use a roller or tamping tool to even out the sand floor. Remove your shoes before installing the liner. Do not forcefully pull on or drag the liner.

1. Carefully open the carton holding the liner by removing the tape, do not cut open the carton.
2. Unfold the liner inside of the metal wall. Carefully spread it out on the ground with the bottom seam of the liner on the pool cove.
3. Remove the temporarily placed top rails. Drape the edge of the liner over the top of the wall and create a collar approximately 3-IN down the outside of the wall.
4. Place the plastic coping strips over the liner and slide them into to place inside of the groove of the top joint. Replace the top rails over the plastic coping strips and fasten to the top joint.
5. When the liner is in place, gently push any wrinkles to the pool cove. Be sure to not leave a gap between the liner and the cove.



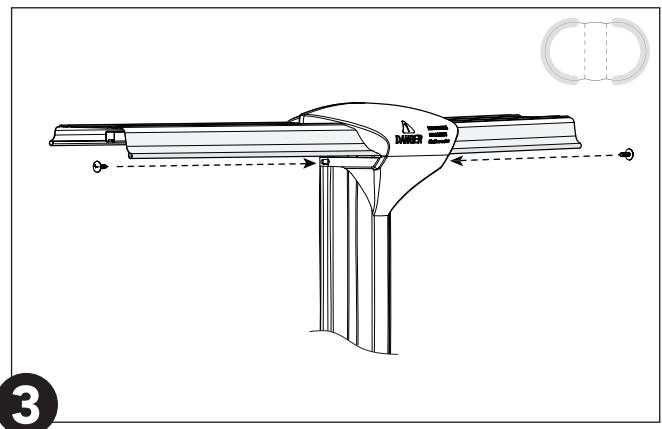
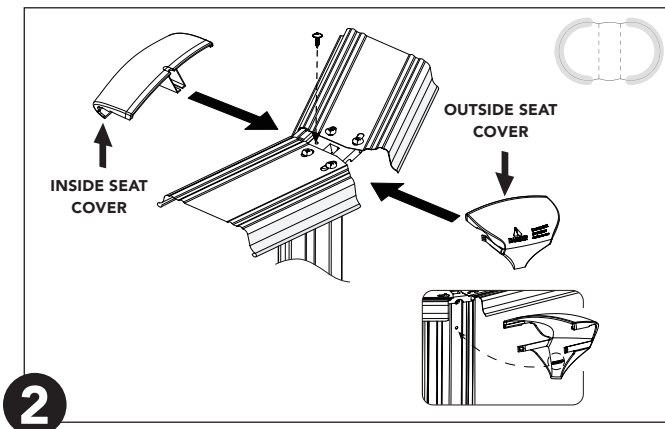
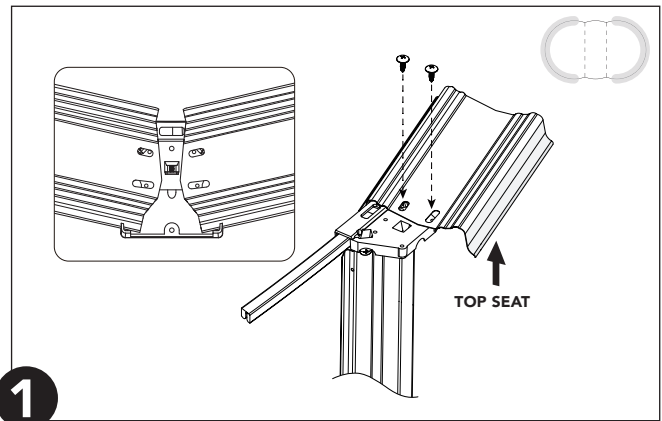
INSTALLING THE VERTICALS

1. Place the vertical over the tabs of the bottom joint and securely fasten them into place with sheet metal screws (NBP1203). Repeat this step for the top joints.



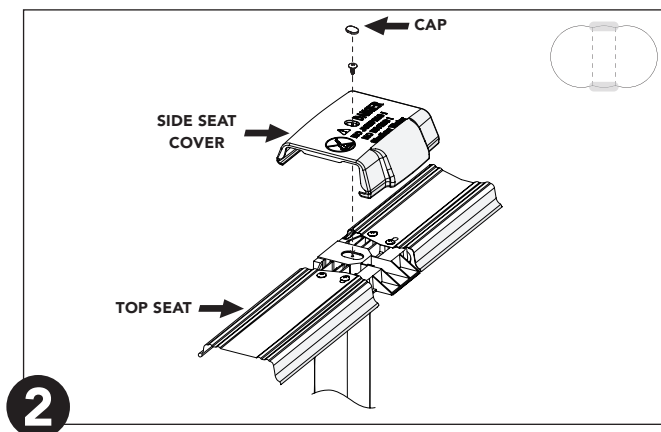
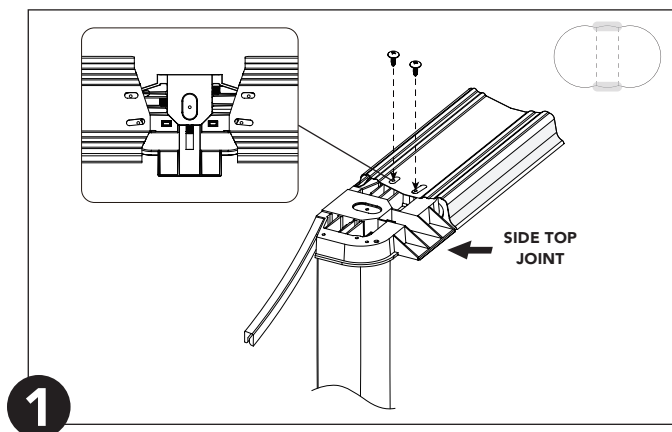
INSTALLING THE TOP SEATS (OUTER PERIMETER)

1. Place the steel top seats over the top joints and secure into place with sheet metal screws (NBP1203).
2. Once all top seats are installed around the pool, connect the inside seat covers to the top joint with sheet metal screws (NBP1203).
3. Connect the outside seat covers to the top joint and securely fasten into place with sheet metal screws (NBP1203).



INSTALLING THE TOP SEATS (SIDE VERTICALS)

1. Place the steel top seats over the side top joints and secure into place with sheet metal screws (NBP1203).
2. Once all top seats are installed around the pool, connect the side seat covers to the top joint. Connect the outside seat covers to the top joint with sheet metal screws (NBP1203) and securely fasten into place. When the side seat covers are secured, place the caps (NBP1073) on top of the center sheet metal screws.



HELPFUL INFORMATION

BLUE WAVE® WALL FOAM AND SPRAY ADHESIVE

SKU	DESCRIPTION	SIZE
NL1970	Blue Wave Above-Ground Closed Cell Wall Foam	60-FT
NL1971	Blue Wave Above-Ground Closed Cell Wall Foam	75-FT
NL1972	Blue Wave Above-Ground Closed Cell Wall Foam	85-FT
NL1973	Blue Wave Above-Ground Closed Cell Wall Foam	100-FT
NL106	Spray Adhesive for Pool Wall Foam	17-OZ

GORILLA PAD® POOL FLOOR LINER PROTECTIVE PADDING

SKU	DESCRIPTION	SIZE
NL1475	Oval Gorilla Pad® Pool Floor Protective Padding	10 X 19-FT
NL1318	Oval Gorilla Pad® Pool Floor Protective Padding	12 X 20-FT
NL130	Oval Gorilla Pad® Pool Floor Protective Padding	12 X 24-FT
NL135	Oval Gorilla Pad® Pool Floor Protective Padding	15 X 26-FT
NL132	Oval Gorilla Pad® Pool Floor Protective Padding	15 X 30-FT
NL1325	Oval Gorilla Pad® Pool Floor Protective Padding	16 X 24-FT
NL133	Oval Gorilla Pad® Pool Floor Protective Padding	16 X 32-FT
NL134	Oval Gorilla Pad® Pool Floor Protective Padding	18 X 33-FT
NL136	Oval Gorilla Pad® Pool Floor Protective Padding	18 X 40-FT
NL138	Oval Gorilla Pad® Pool Floor Protective Padding	21 X 41-FT
NL139	Oval Gorilla Pad® Pool Floor Protective Padding	21 X 43-FT

BLUE WAVE® PEEL AND STICK FOAM POOL COVES

SKU	DESCRIPTION	QUANTITY
NL102	48-in Peel and Stick Above Ground Pool Cove	1
NL102-10	48-in Peel and Stick Above Ground Pool Cove	10
NL102-12	48-in Peel and Stick Above Ground Pool Cove	12
NL102-26	48-in Peel and Stick Above Ground Pool Cove	13
NL102-28	48-in Peel and Stick Above Ground Pool Cove	14
NL102-14	48-in Peel and Stick Above Ground Pool Cove	15
NL102-30	48-in Peel and Stick Above Ground Pool Cove	16
NL102-16	48-in Peel and Stick Above Ground Pool Cove	17
NL102-32	48-in Peel and Stick Above Ground Pool Cove	18
NL102-18	48-in Peel and Stick Above Ground Pool Cove	19
NL102-34	48-in Peel and Stick Above Ground Pool Cove	21
NL102-20	48-in Peel and Stick Above Ground Pool Cove	22
NL102-22	48-in Peel and Stick Above Ground Pool Cove	24
NL102-24	48-in Peel and Stick Above Ground Pool Cove	26
NL102-36	48-in Peel and Stick Above Ground Pool Cove	27

15-YEAR LIMITED WARRANTY

This product is warranted to the original purchaser to be free from defects in material or workmanship for a period of fifteen (15) years from the date of the original retail purchase.

This warranty does not cover defects or damage due to improper installation, alteration, accident, or any other event beyond the control of the manufacturer. Defects or damage resulting from misuse, abuse, or negligence will void this warranty. This warranty does not cover scratching or damage that may result from normal usage.

This product is not intended for institutional or commercial use; the manufacturer does not assume any liability for such use. Institutional or commercial use will void this warranty.

This warranty is nontransferable and is expressly limited to the repair or replacement of the defective product. During the warranty period, the manufacturer shall repair or replace defective parts at no cost to the purchaser. Shipping charges and insurance are not covered and are the responsibility of the purchaser. Labor charges and related expenses for removal, installation, or replacement of the product or components are not covered under this warranty.

The manufacturer reserves the right to make substitutions to warranty claims if parts are unavailable or obsolete.

The manufacturer shall not be liable for loss of use of the product or other consequential or incidental costs, expenses, or damages incurred by the consumer of any other use. The user assumes all risk of injury resulting from the use of this product.

This warranty is expressly in lieu of all other warranties, expressed or implied, including warranties of merchantability or fitness for use to the extent permitted by Federal or state law. Neither the manufacturer nor any of its representatives assumes any other liability in connection with this product.

All warranty claims must be made through the retailer where the product was originally purchased. A purchase receipt or other proof of date of purchase will be required to process all warranty claims. The model number and part numbers found within the assembly instructions will be required when submitting any parts requests or warranty claims.

**For further warranty information or inquiries, please call 1-(800) 759-0977.
Or, email warranty@bluewaveproducts.com**



Blue Wave Products, Inc.
101 N. Raddant Rd
Batavia, IL 60510