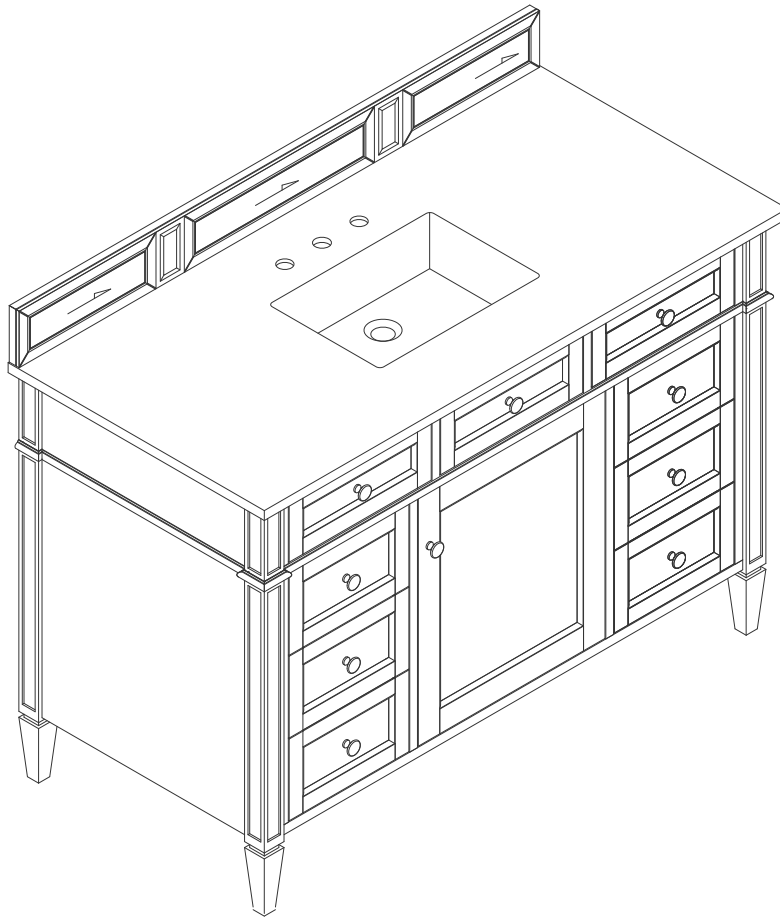


48" VANITY



Features and Materials

Solids: BKO/BNM/B W/SC/SGR/UGR/VBL-Yellow Poplar;

SBR-Para Wood and Yellow Poplar

Veneers: BNM-Birch; SBR-Para Wood

Panels: Plywood

Installation Type: Floor Standing

Number of Basins: One, with Optional 3cm Top

Vanity Top Included: NO, Optional 3cm Tops Available with Sinks

Optional Wooden Backsplash

Basins Included: NO

Overflow: Yes, Front Facing

Number of Doors: One

Number of Drawers: Six

Number of Tip Outs: One

Assembly Type: Installation of Optional 3cm Top with Sink

Drawer Box Material and Construction: 12mm Plywood/English Dovetail Joinery

Hardware Material and Finish: Zinc Alloy in Satin Nickel Color

Fits Drain Hole Size: 1 3/4"

Full Extension, Soft Close Glides

European Soft Close Hinges

Aluminum Laminate Drawer Liners

Adjustable Levelers

Dimension

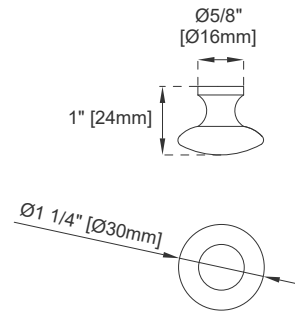
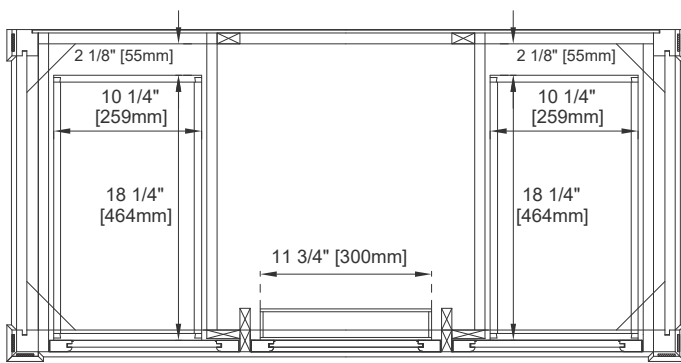
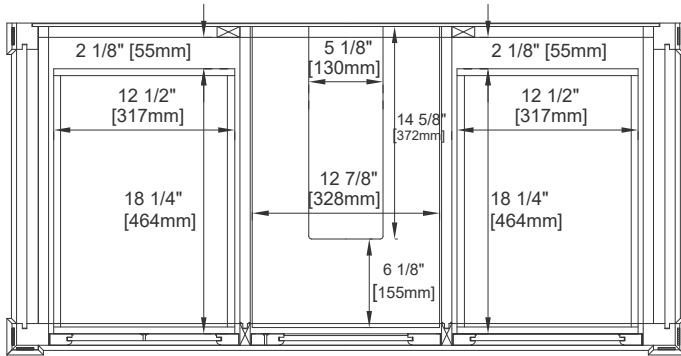
Width: 47-3/4"

Depth: 22-7/8"

Height: 32-5/8"

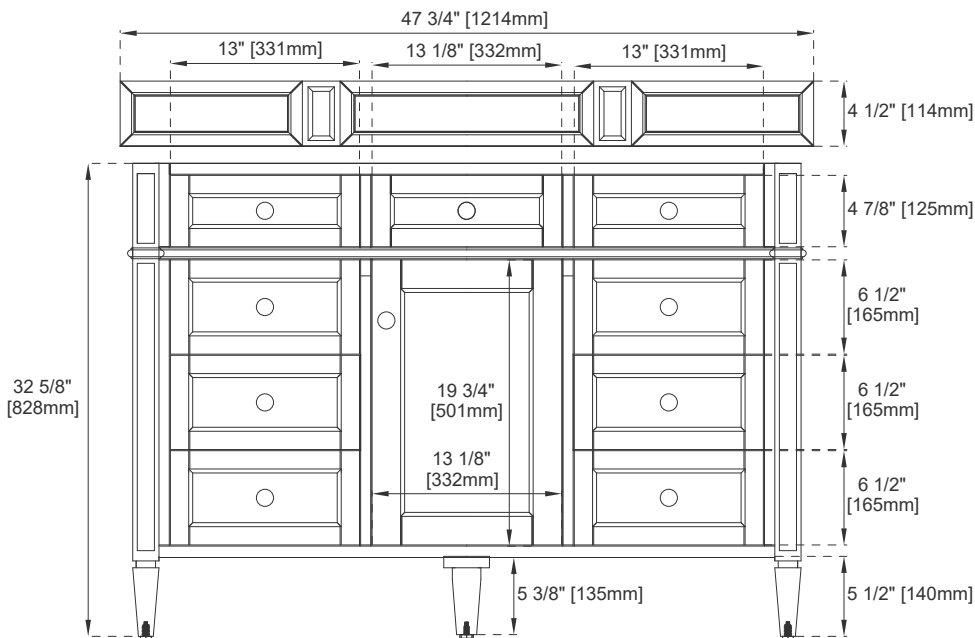
Rough-In Height: 21-1/2"

48" VANITY



Top View

Knob

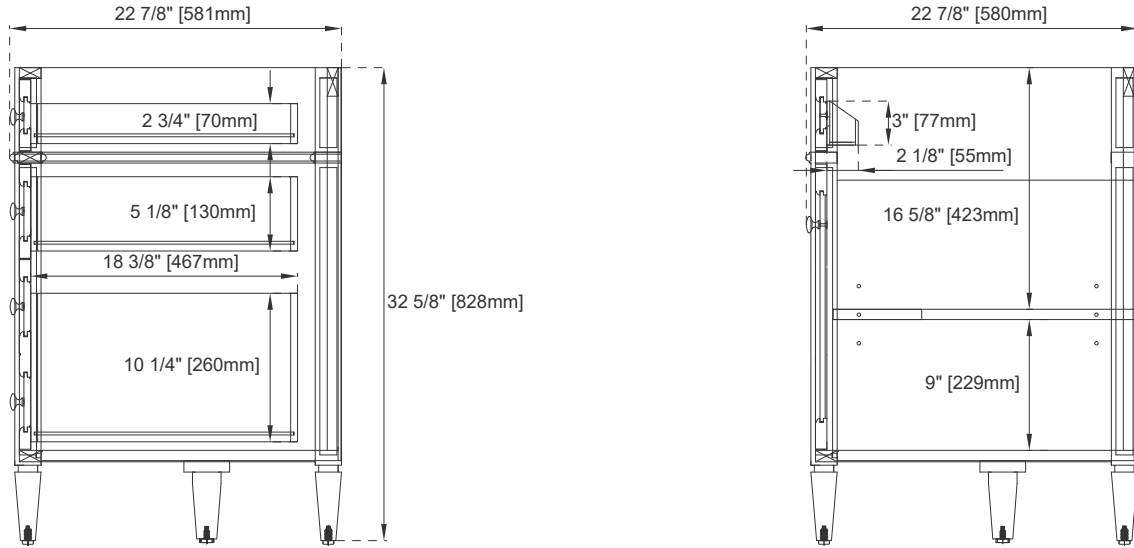


Front View

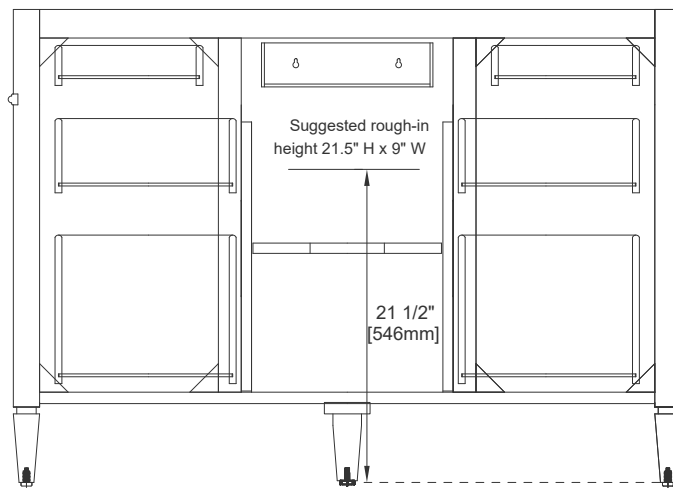
All dimensions are nominal

Diagrams are of cabinet only—Optional Countertops and sinks are not shown

48" VANITY



Side View



Back View

All dimensions are nominal

Diagrams are of cabinet only—Optional Countertops and sinks are not shown