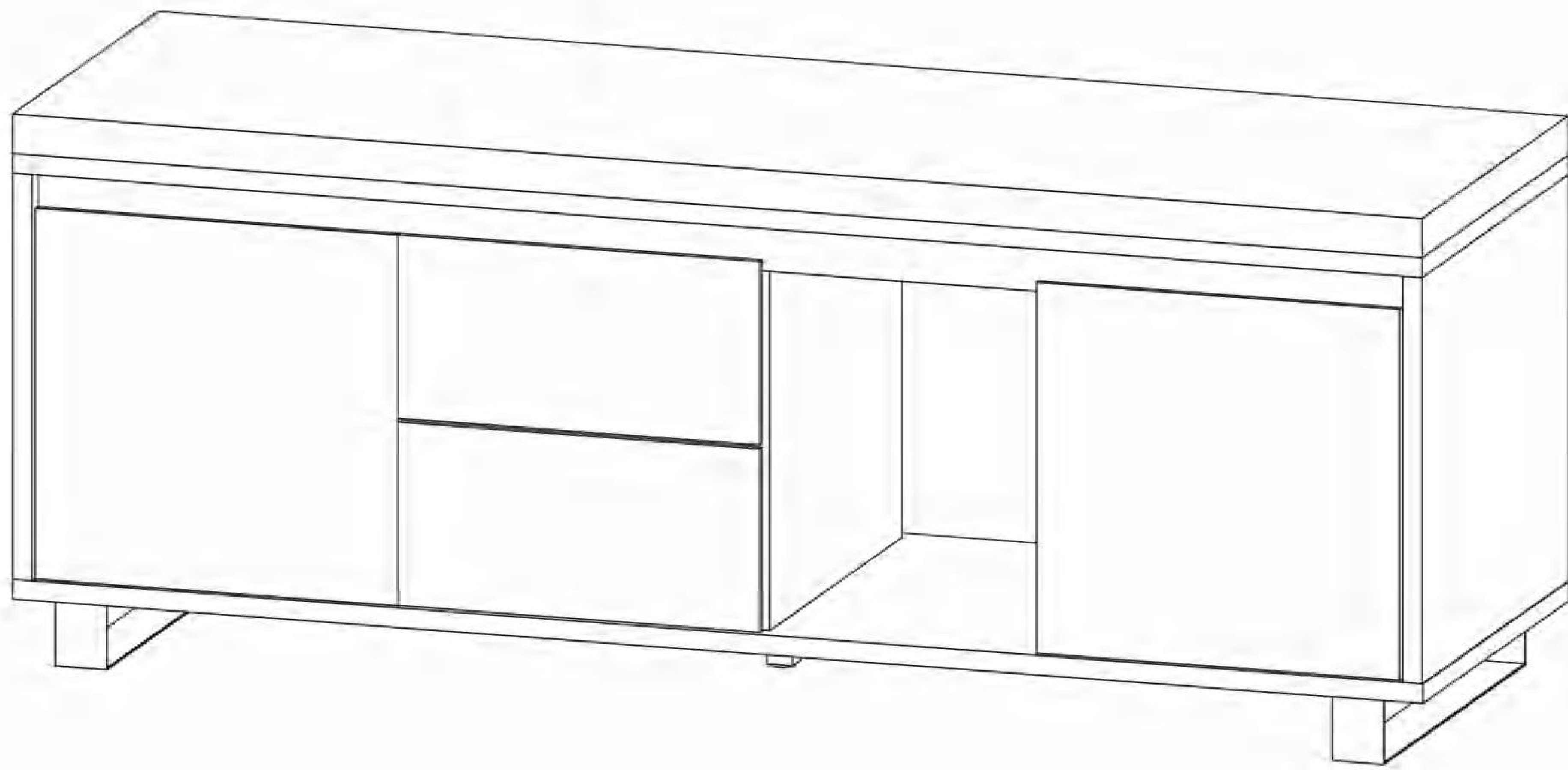
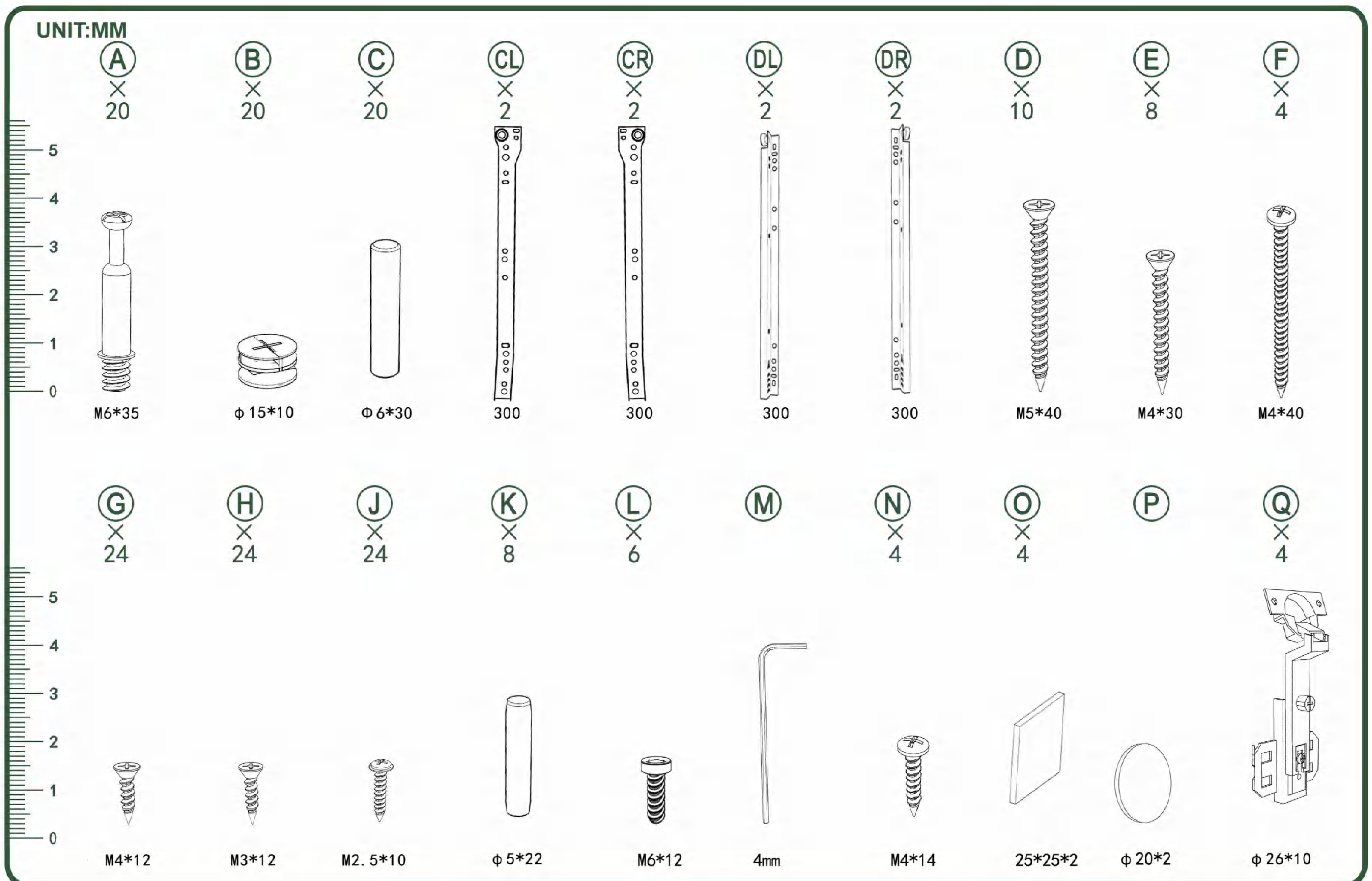
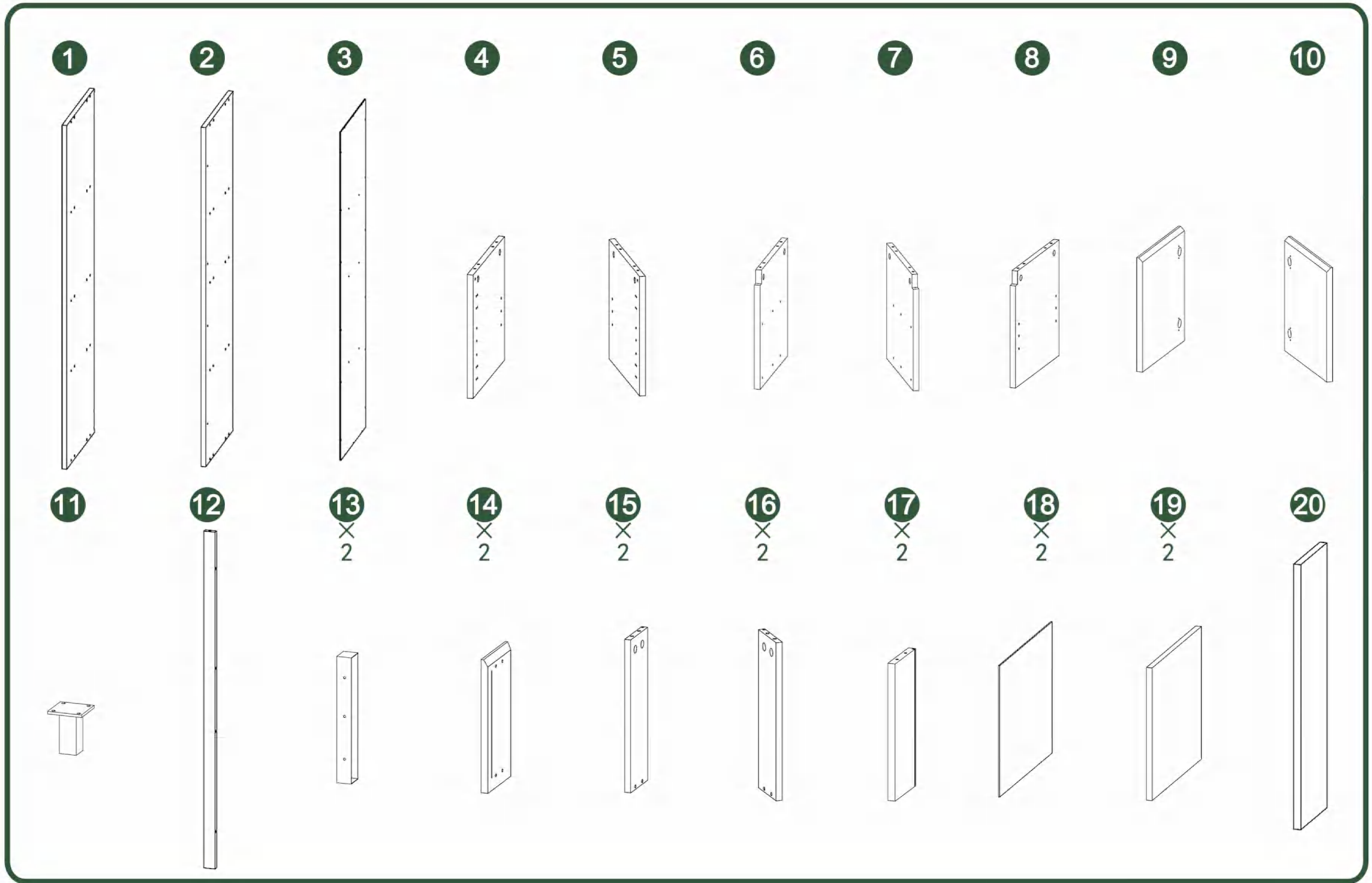
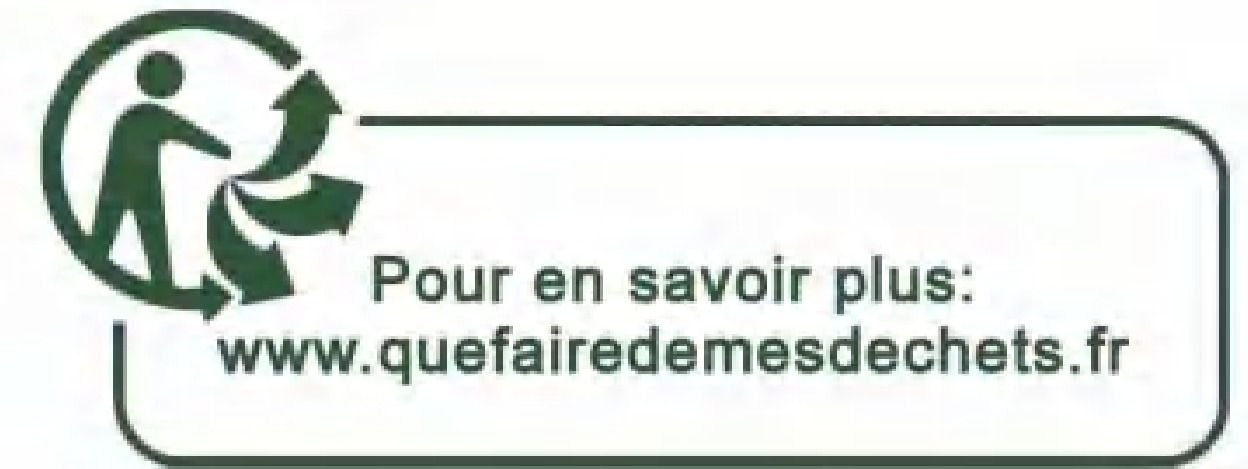
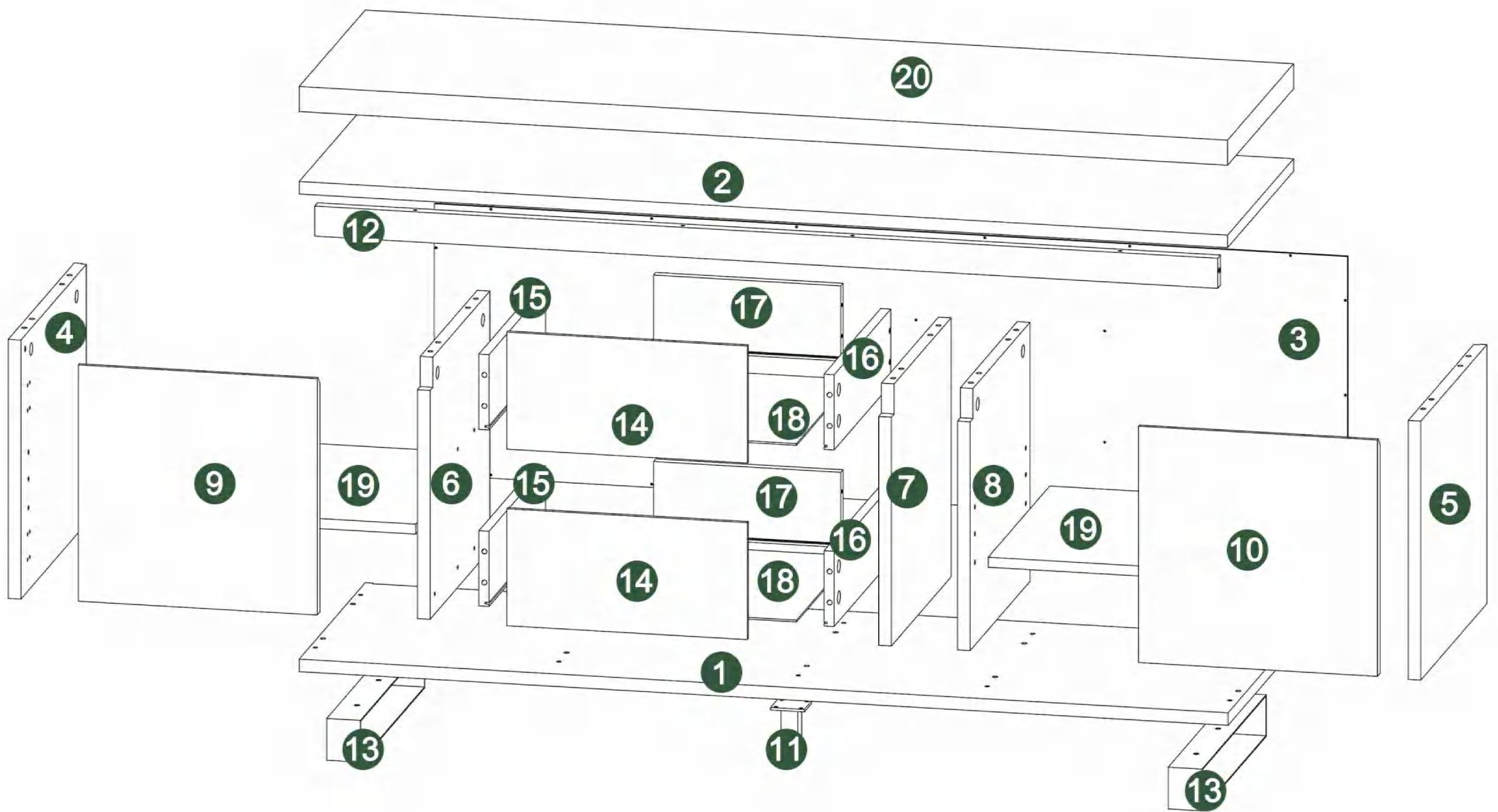


# Installation & Assembly

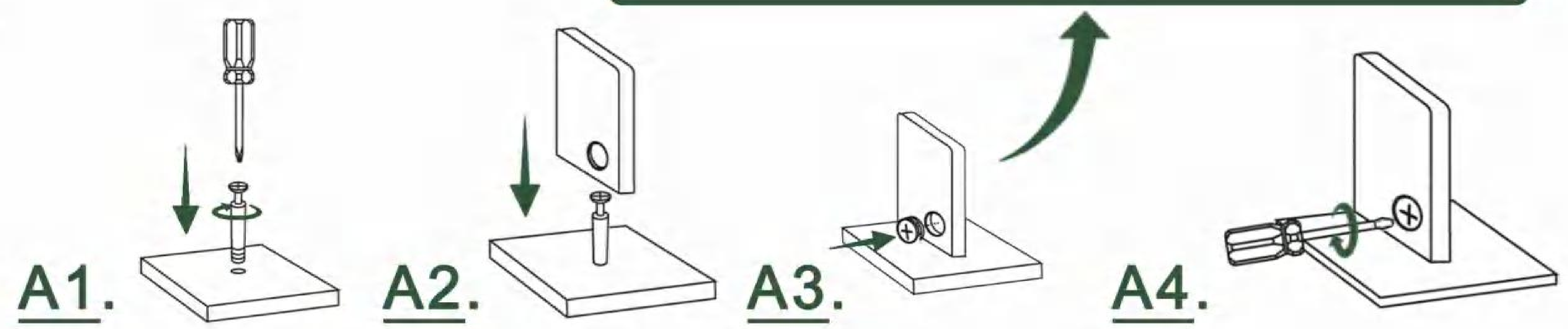
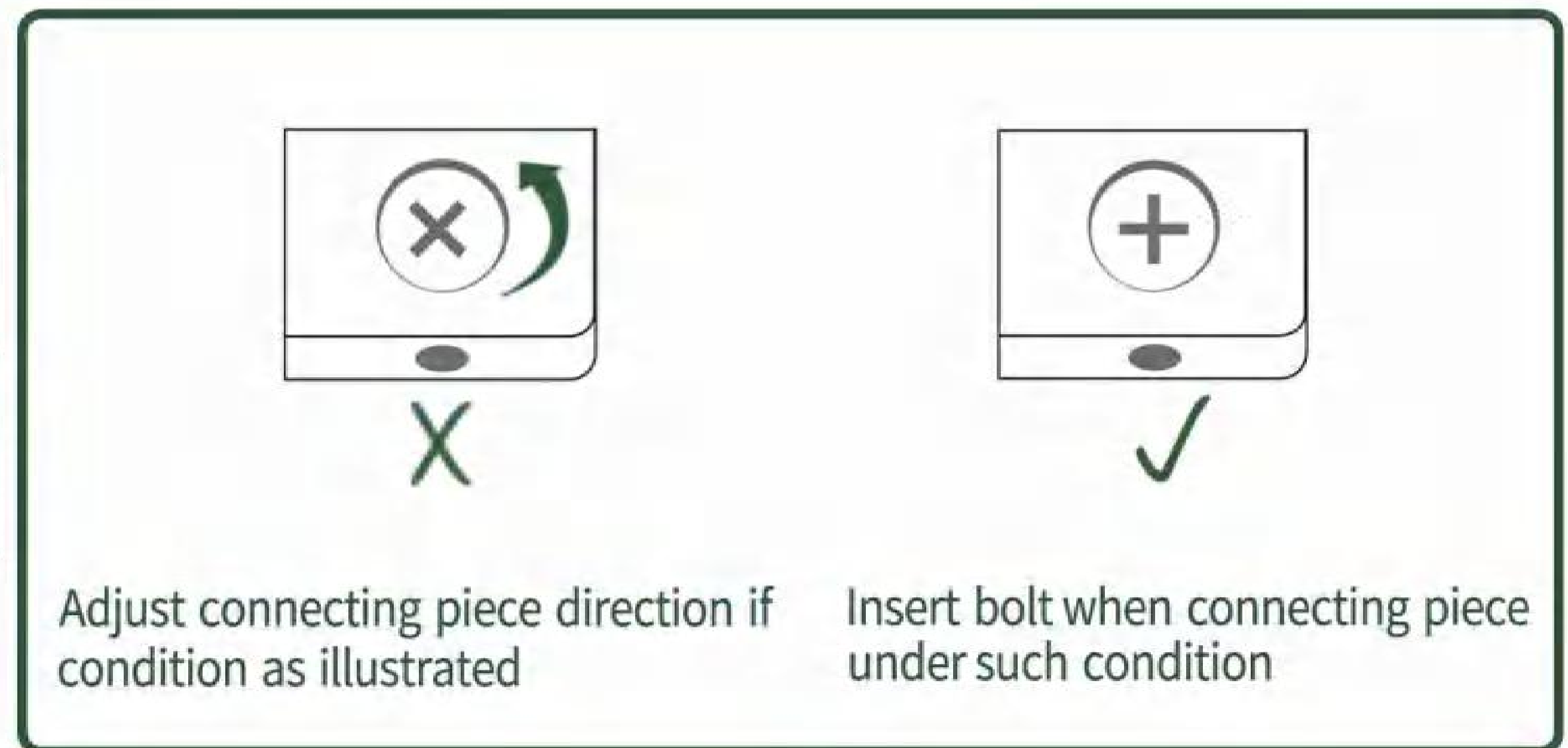


TOOLS:

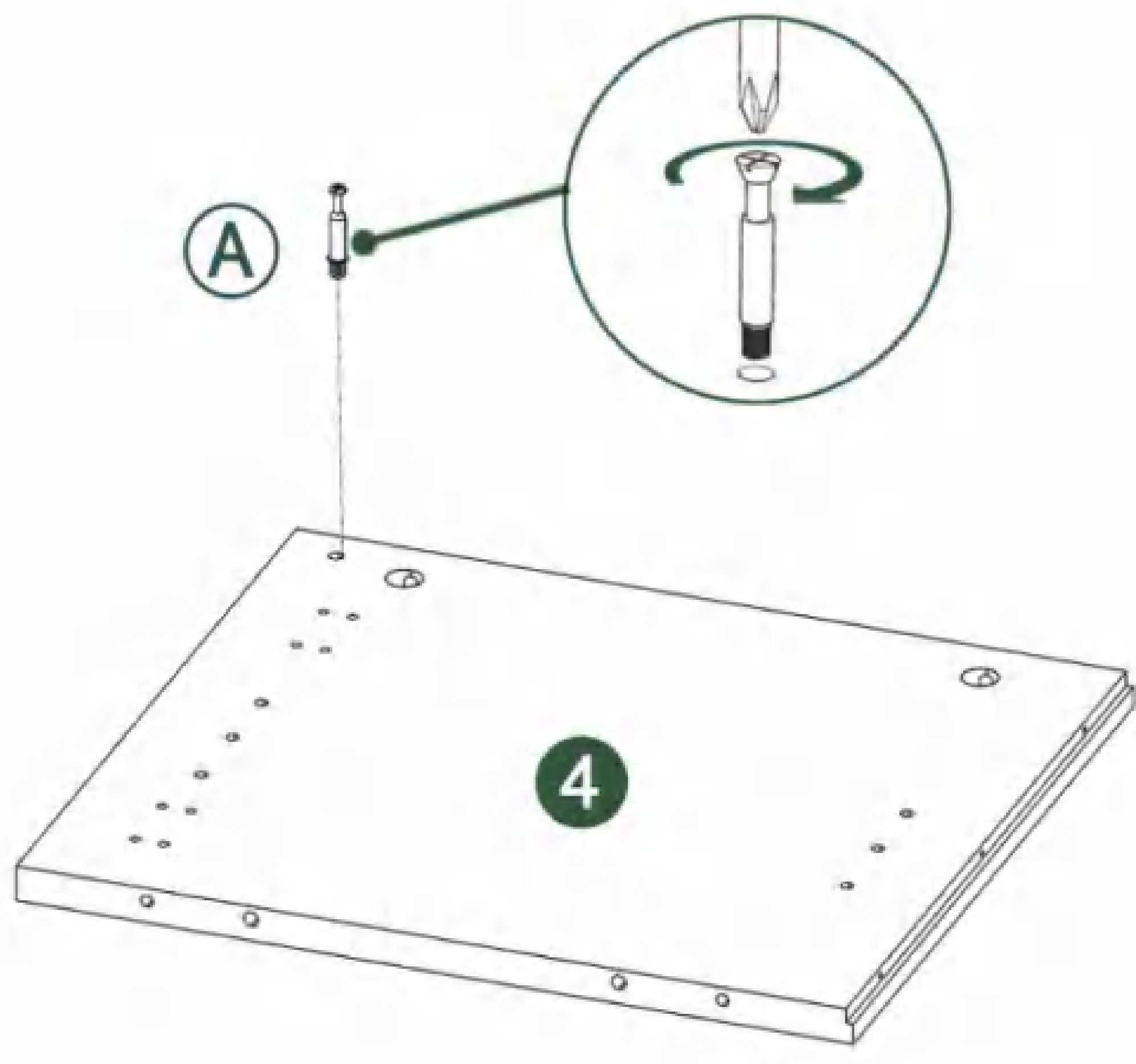




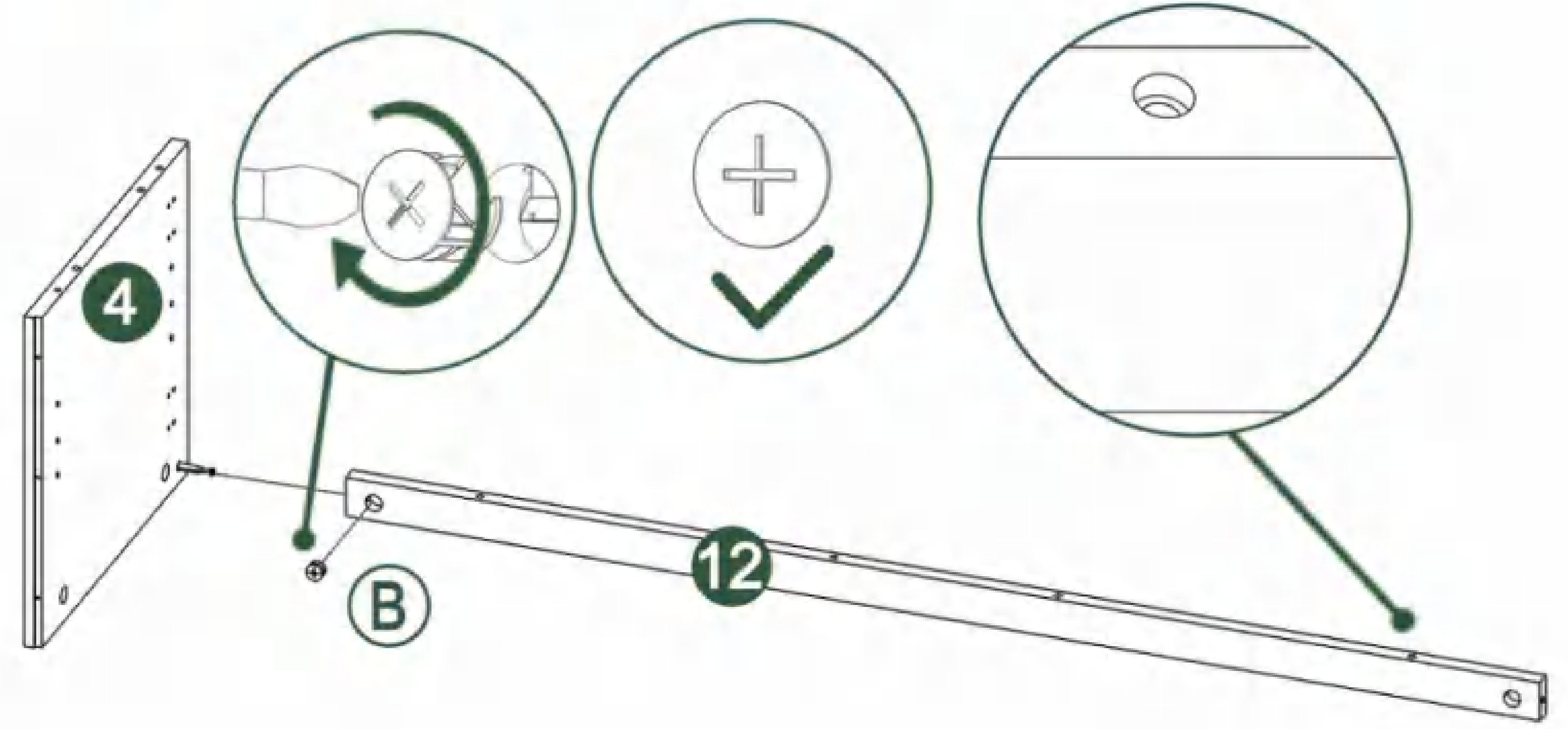
**BOLT INSTALLATION AS BELOW:**



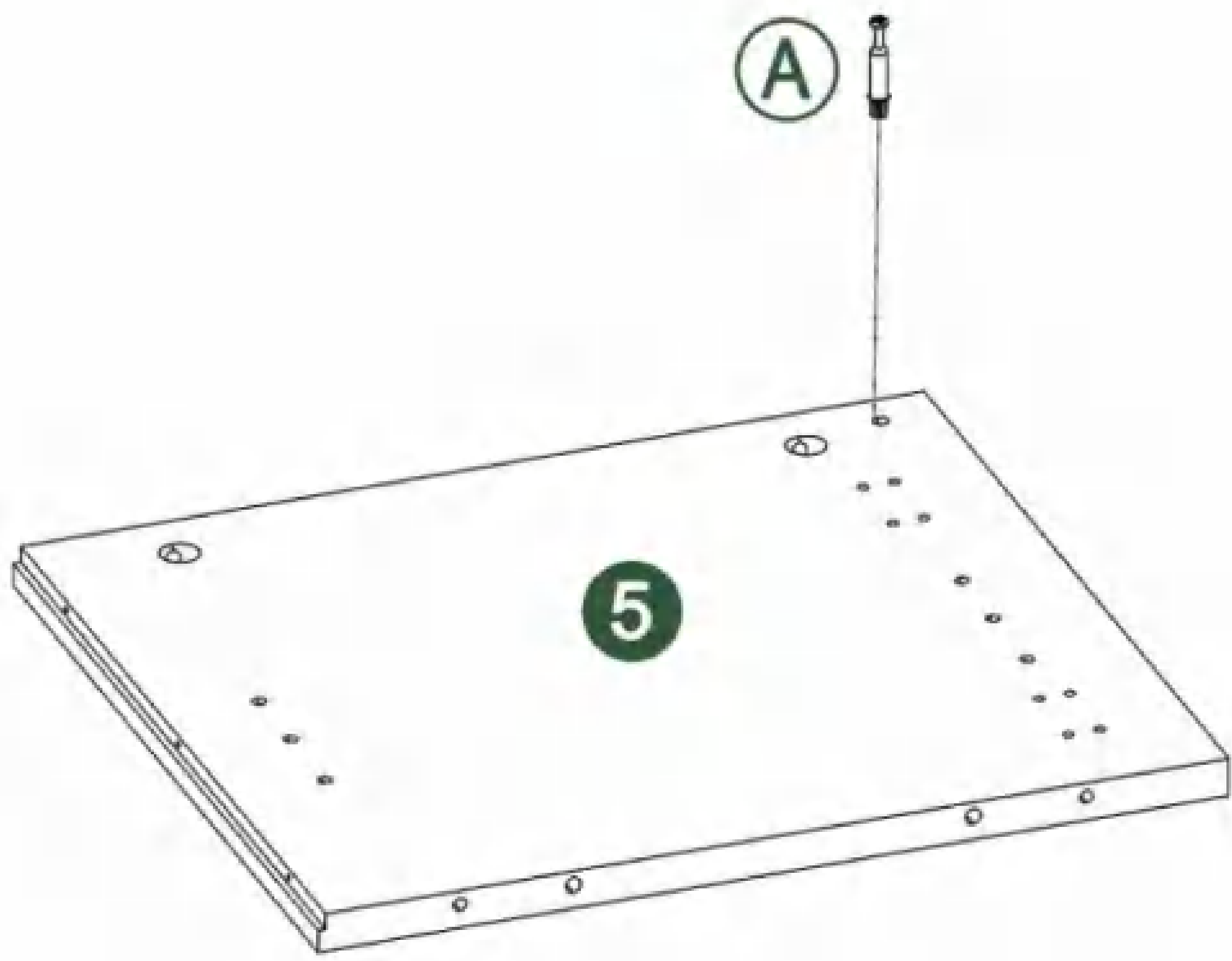
1.



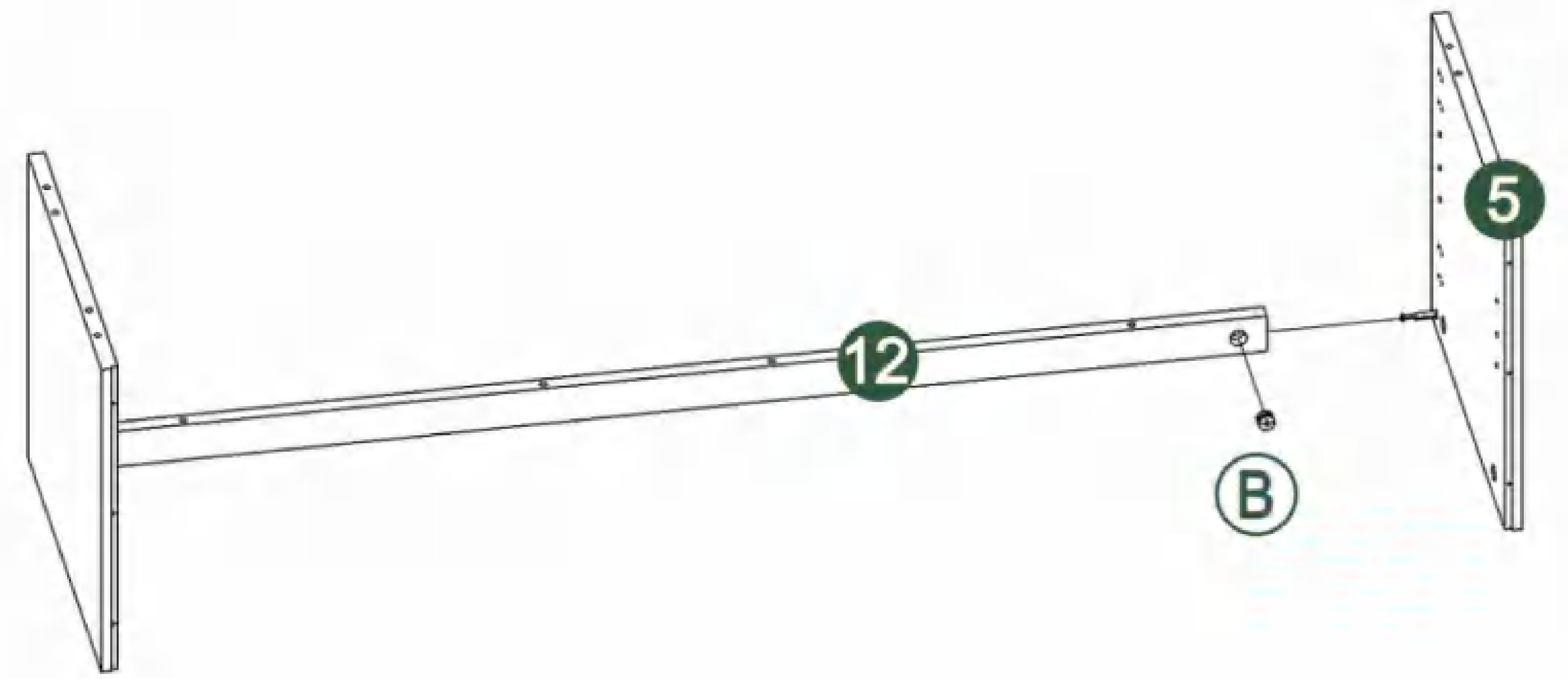
2.



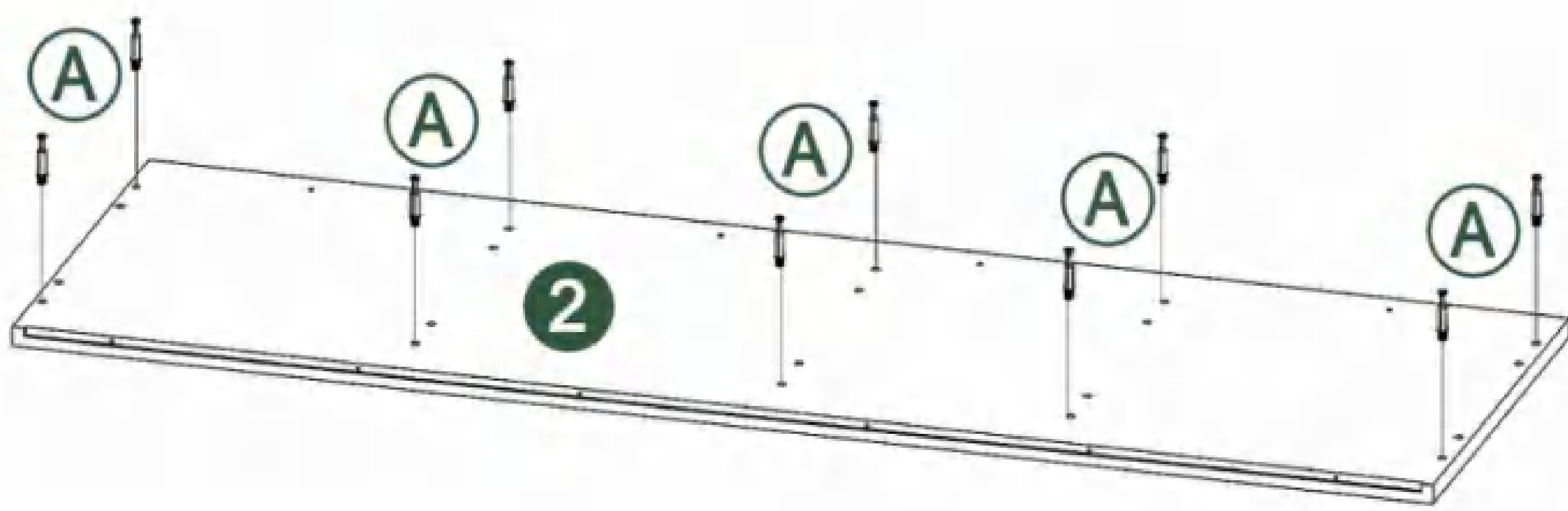
3.



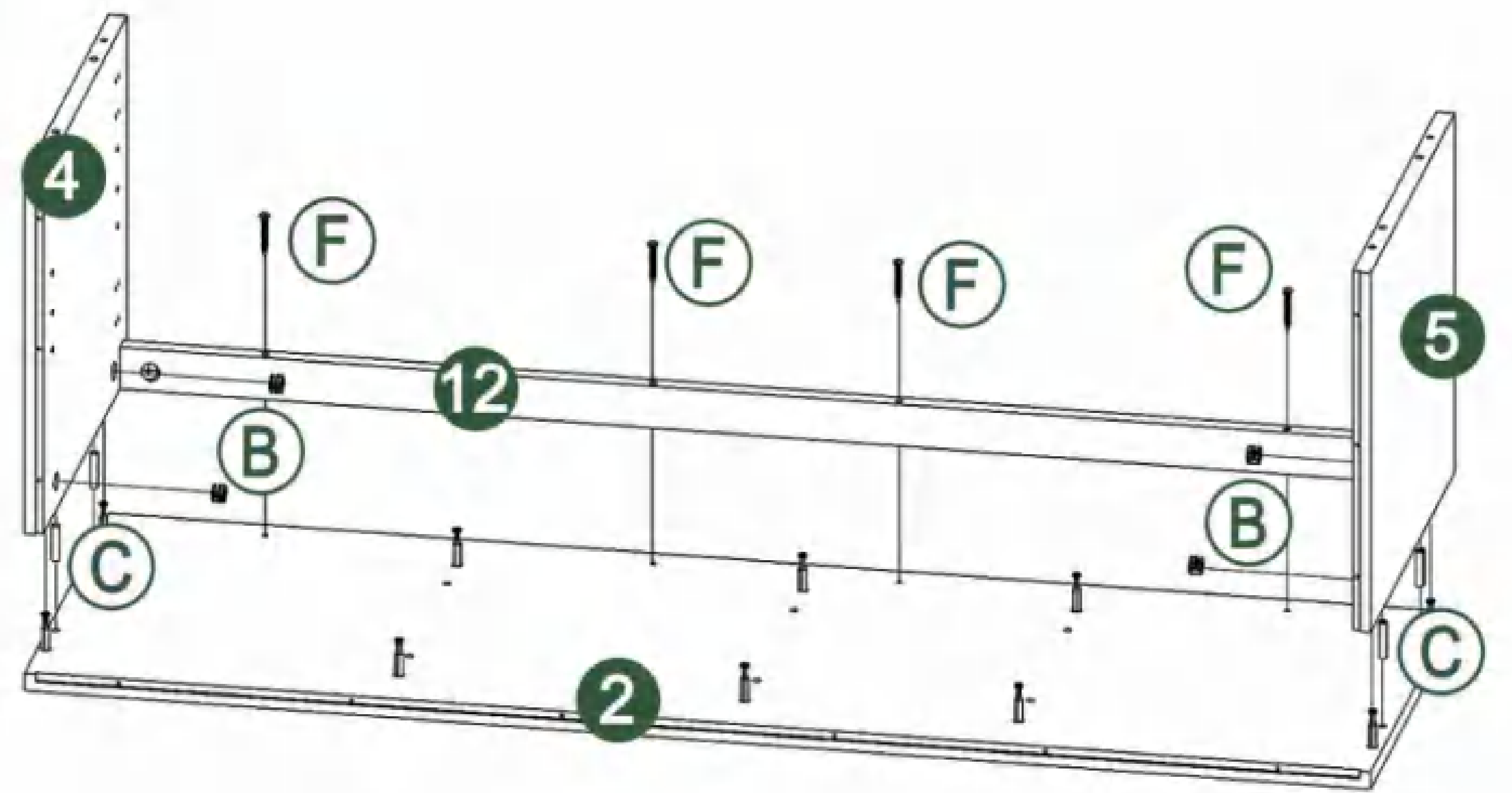
4.



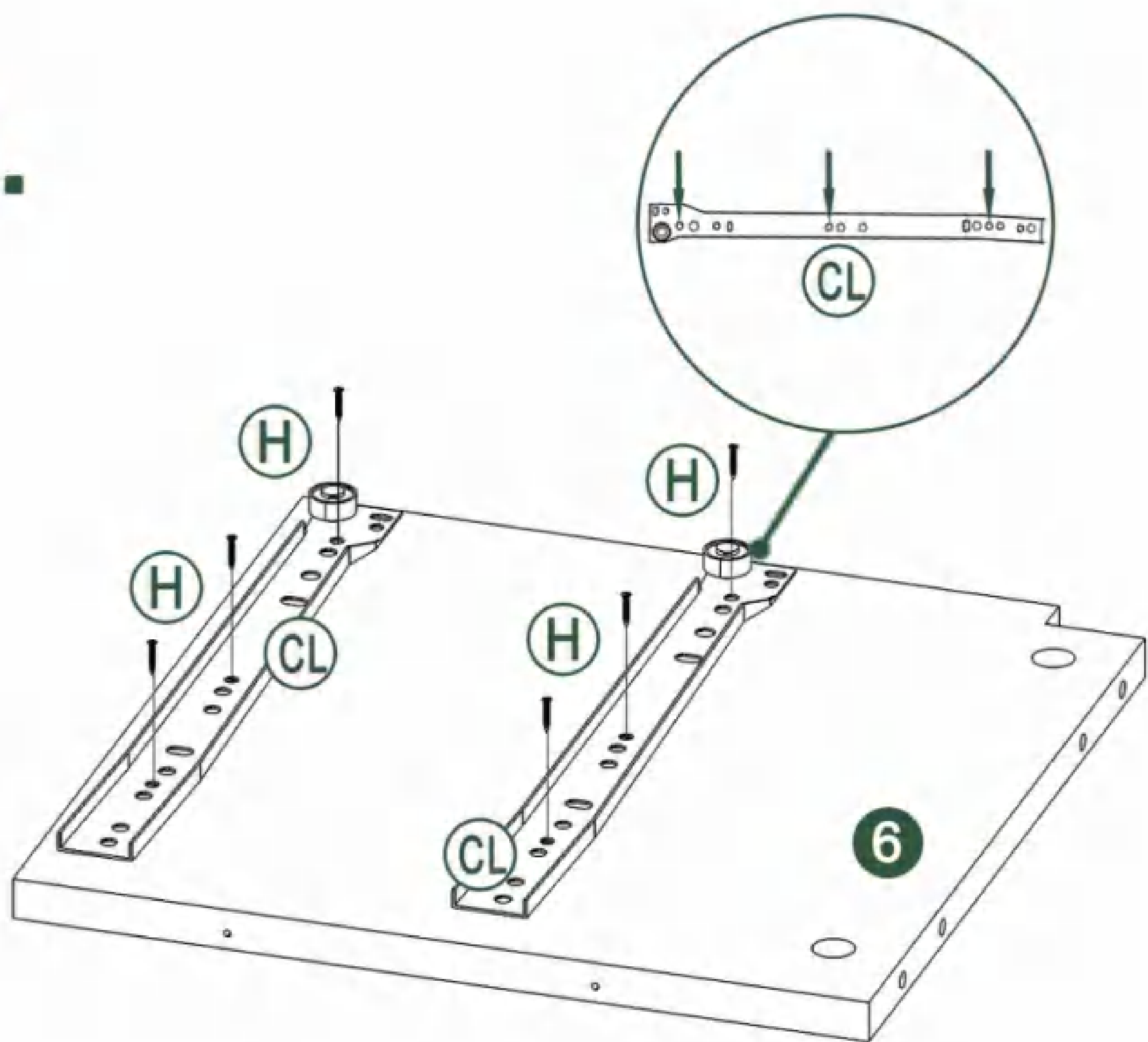
5.



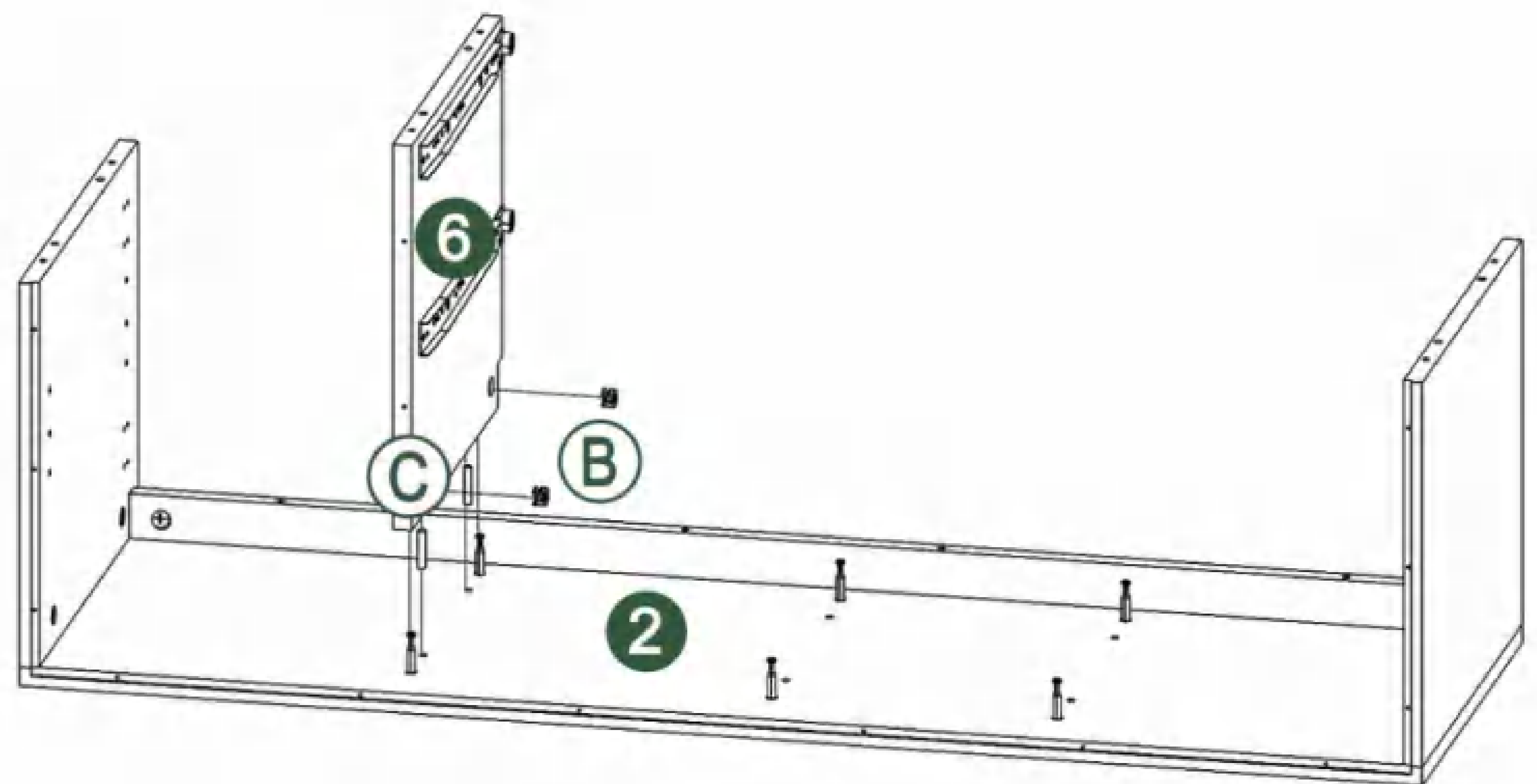
6.

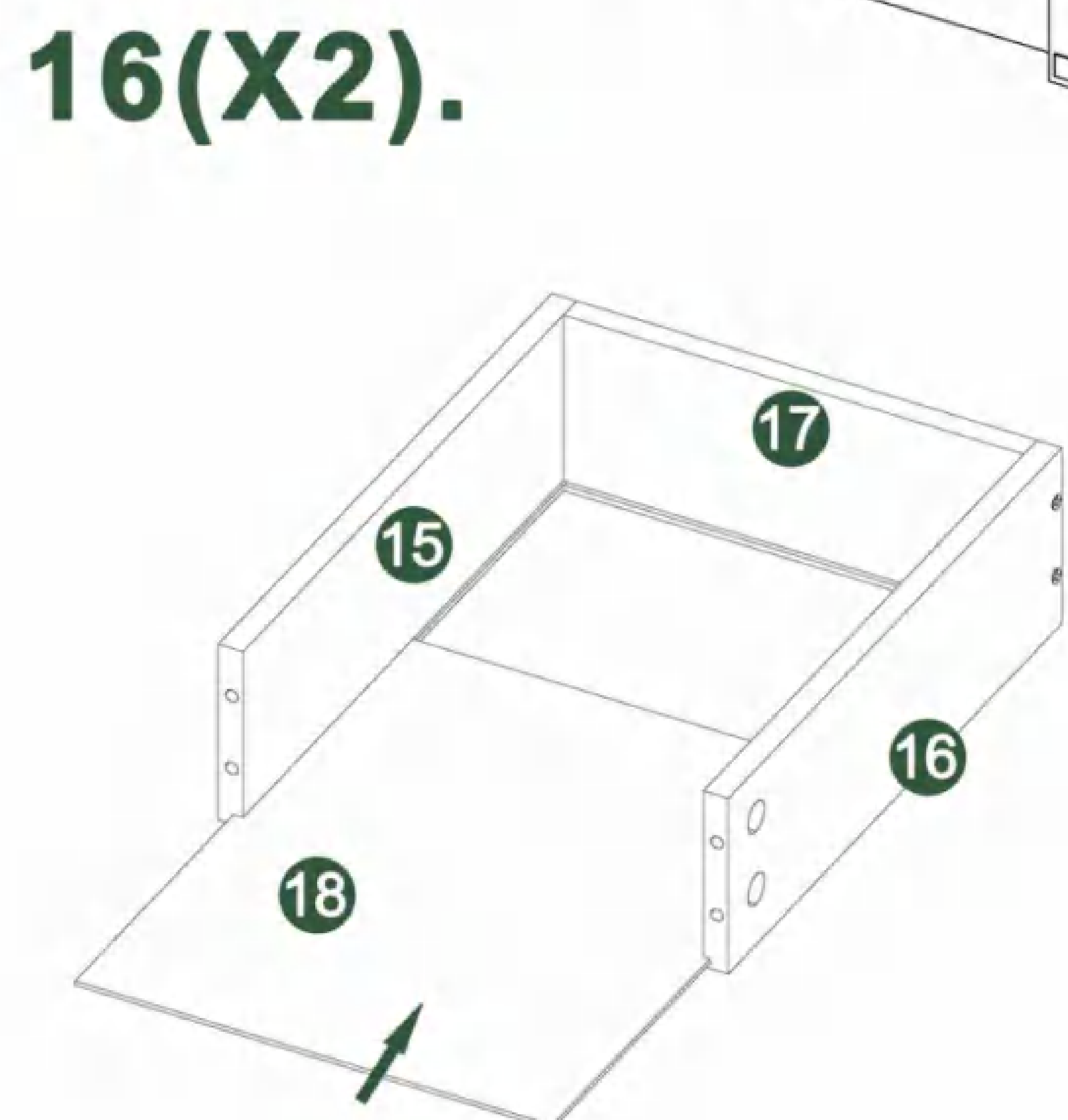
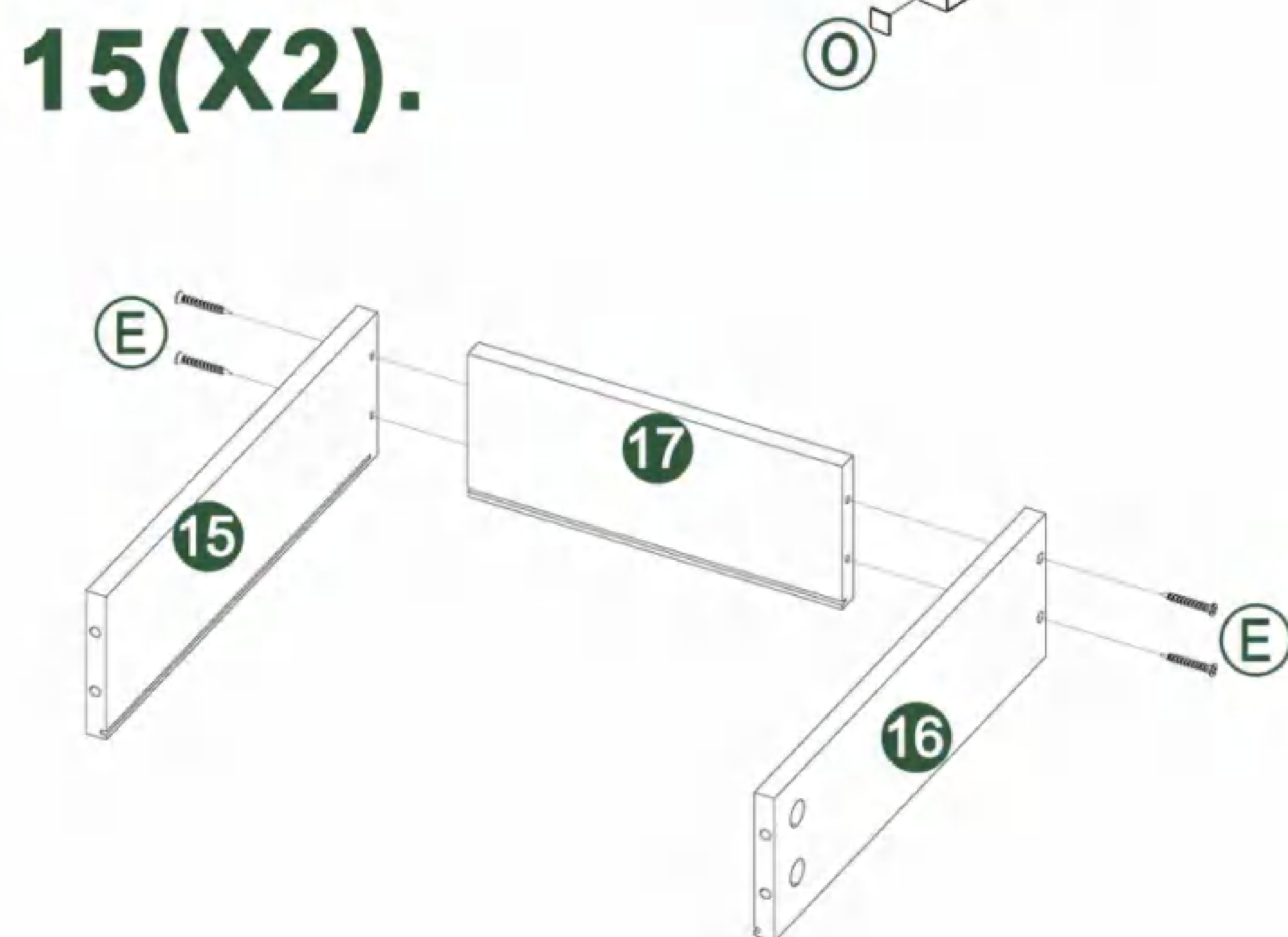
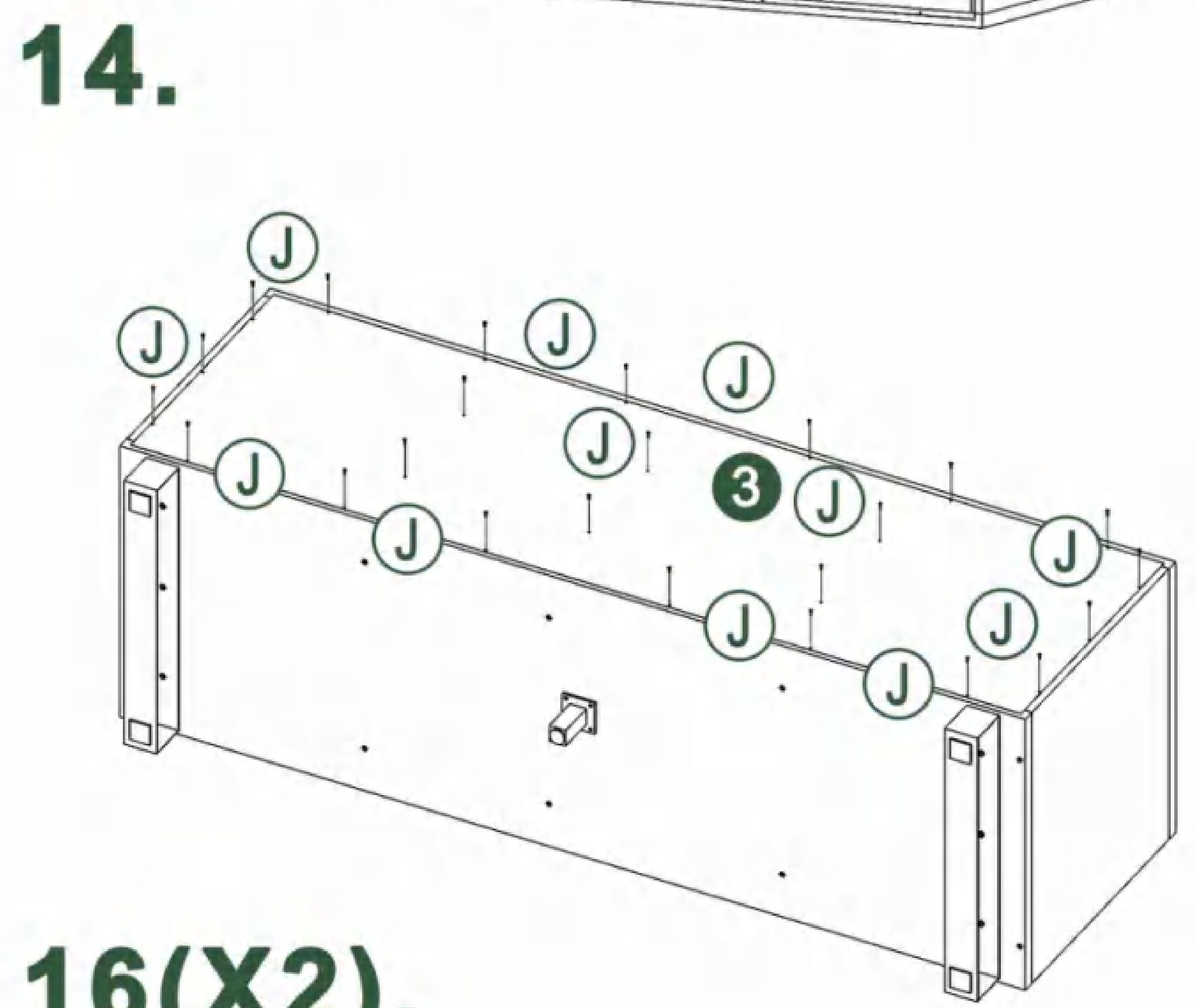
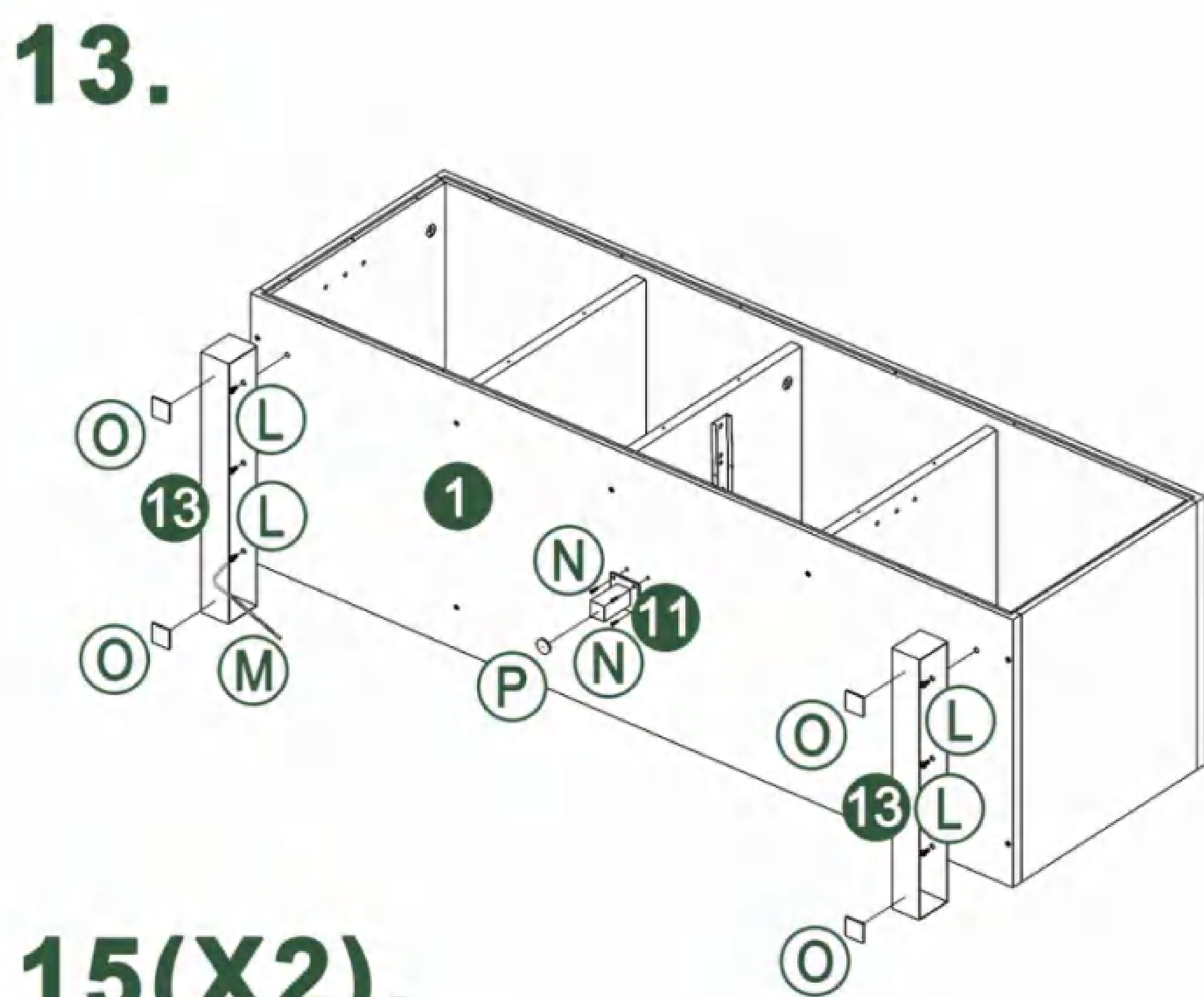
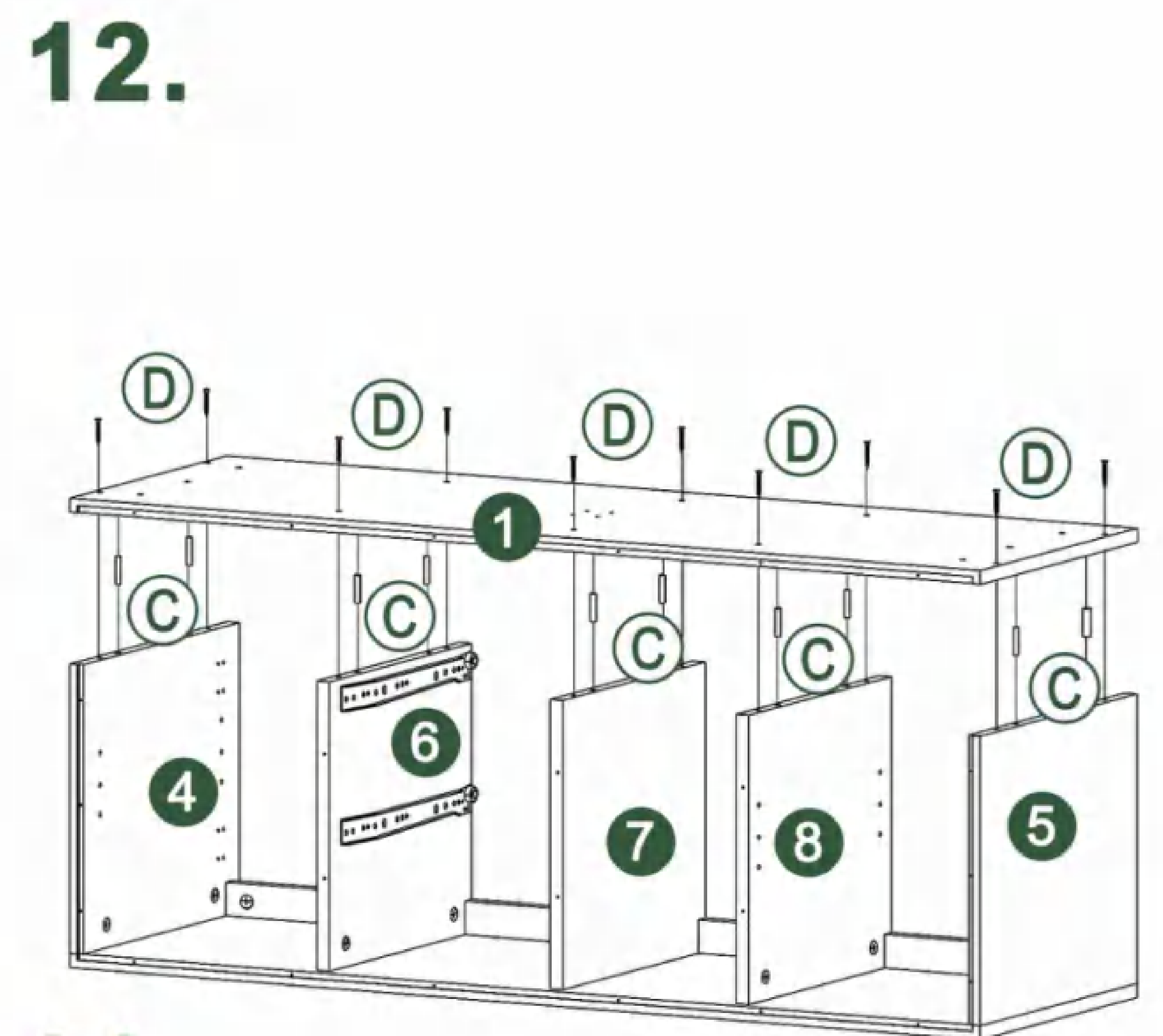
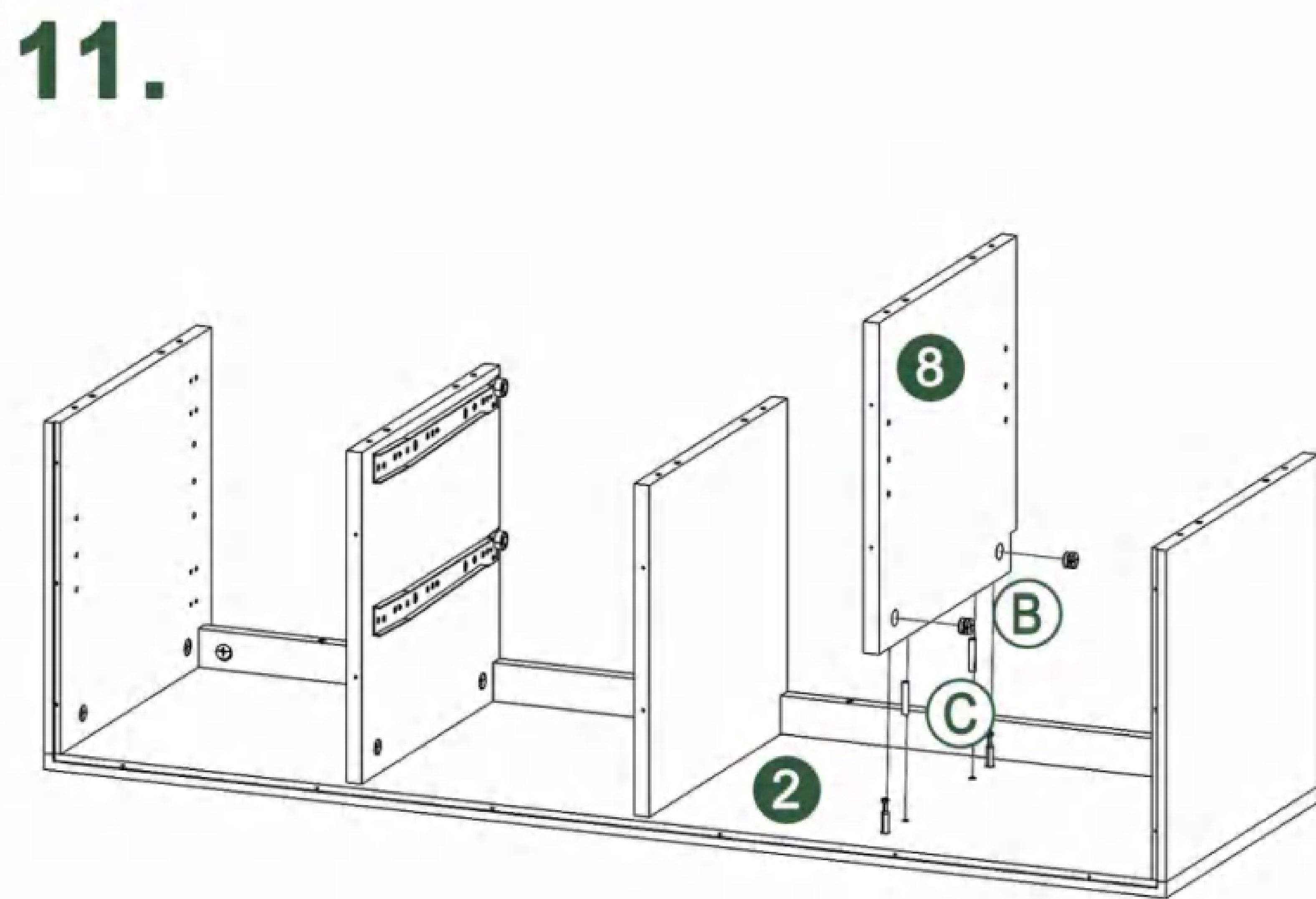
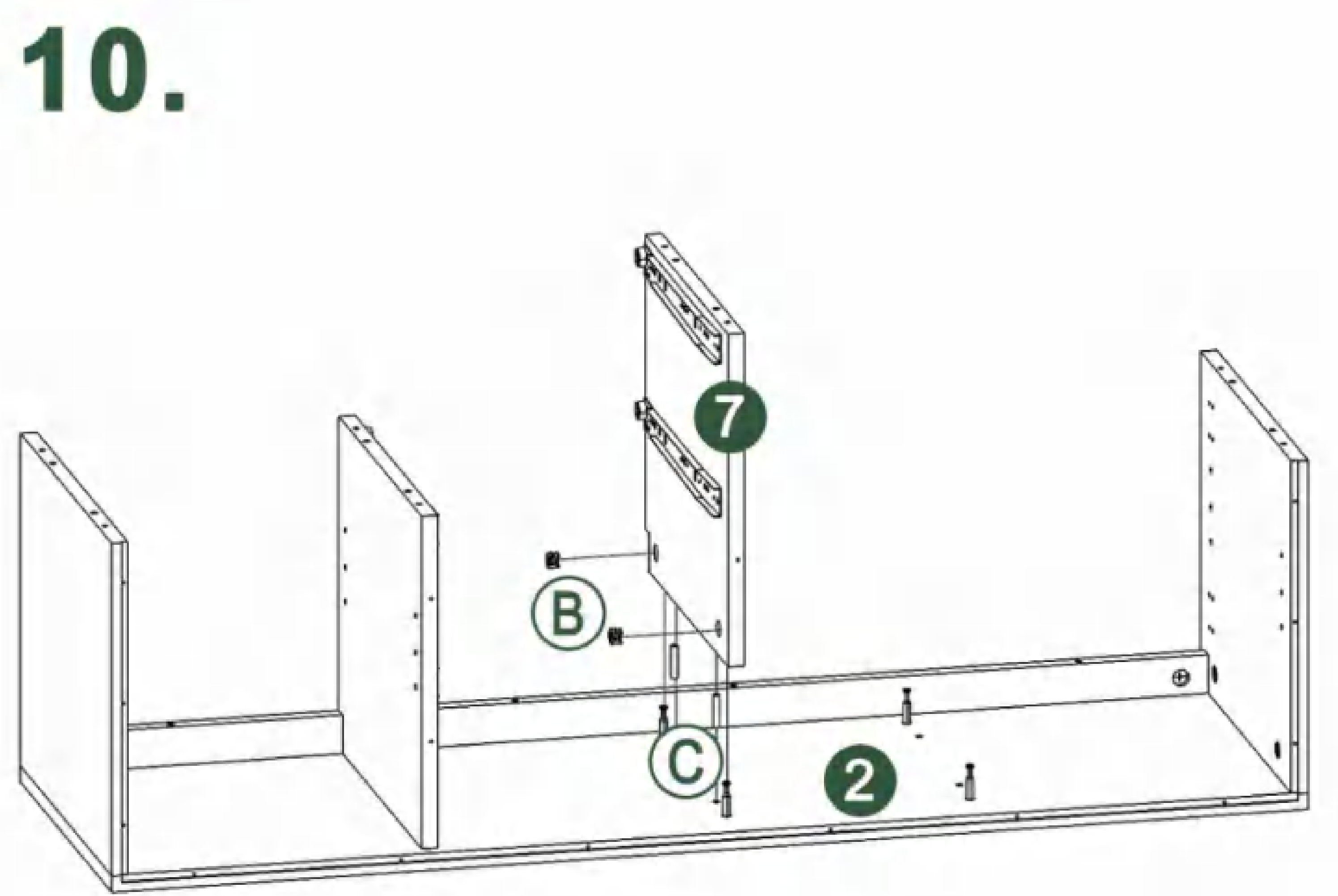
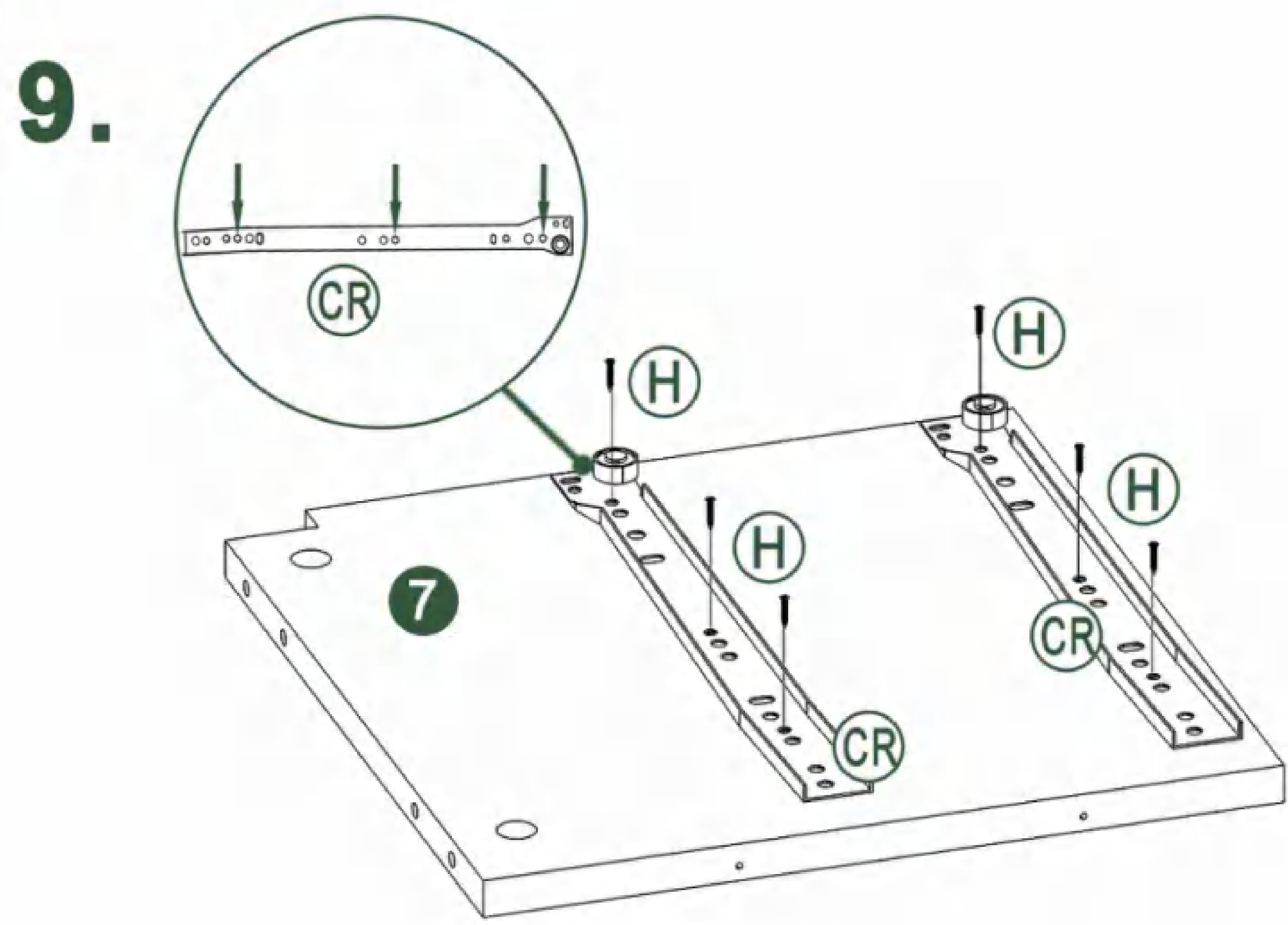


7.

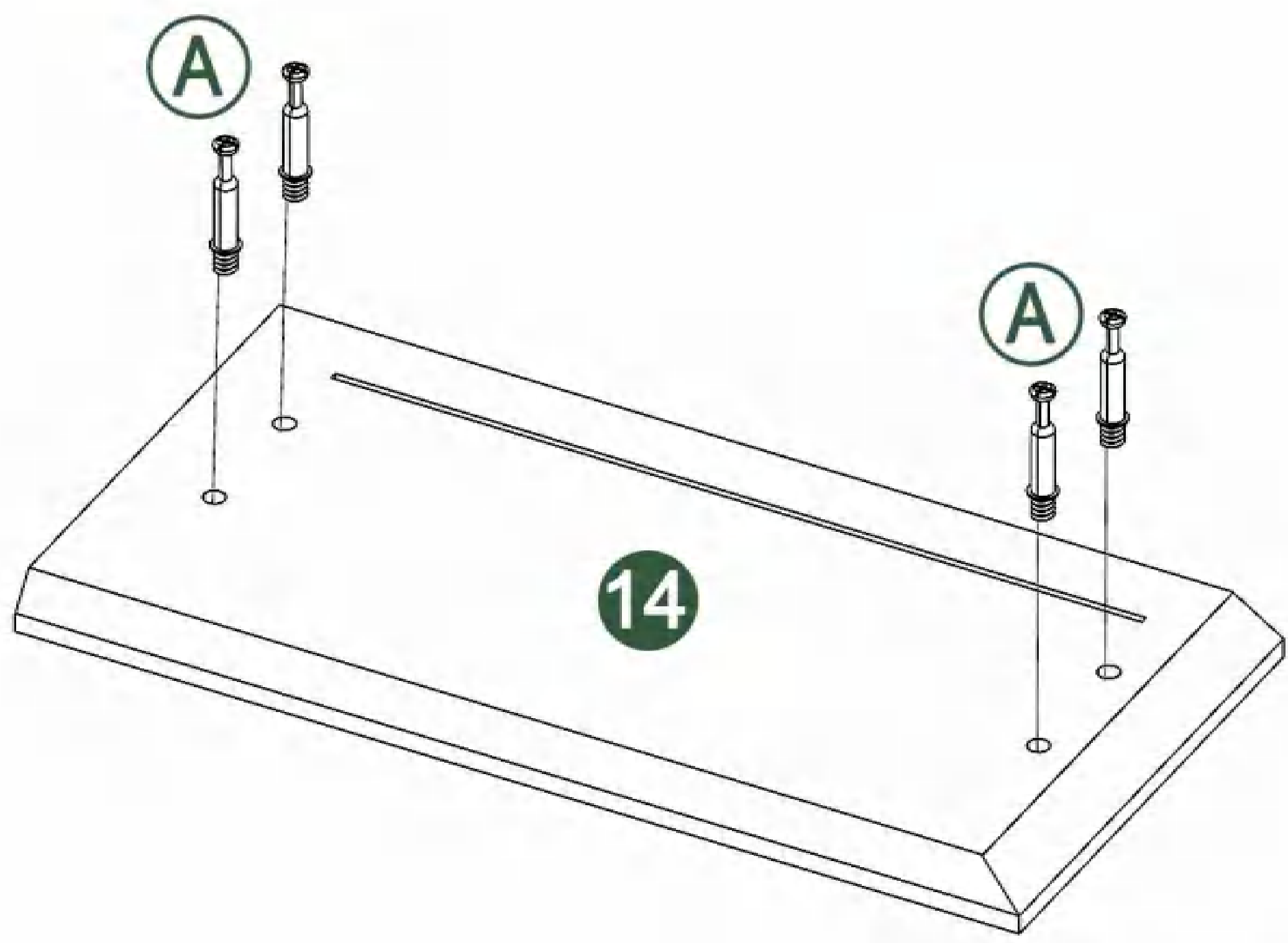


8.

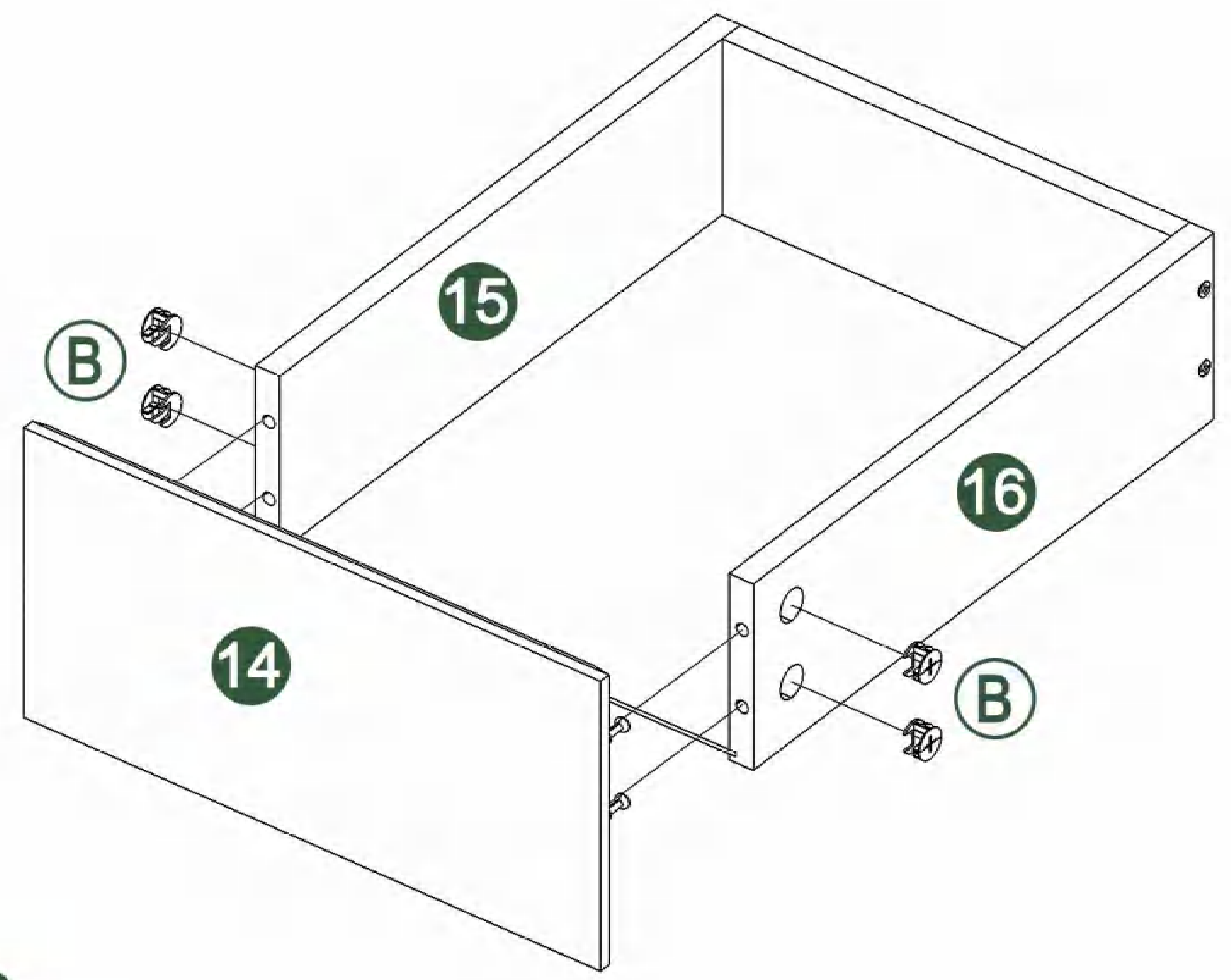




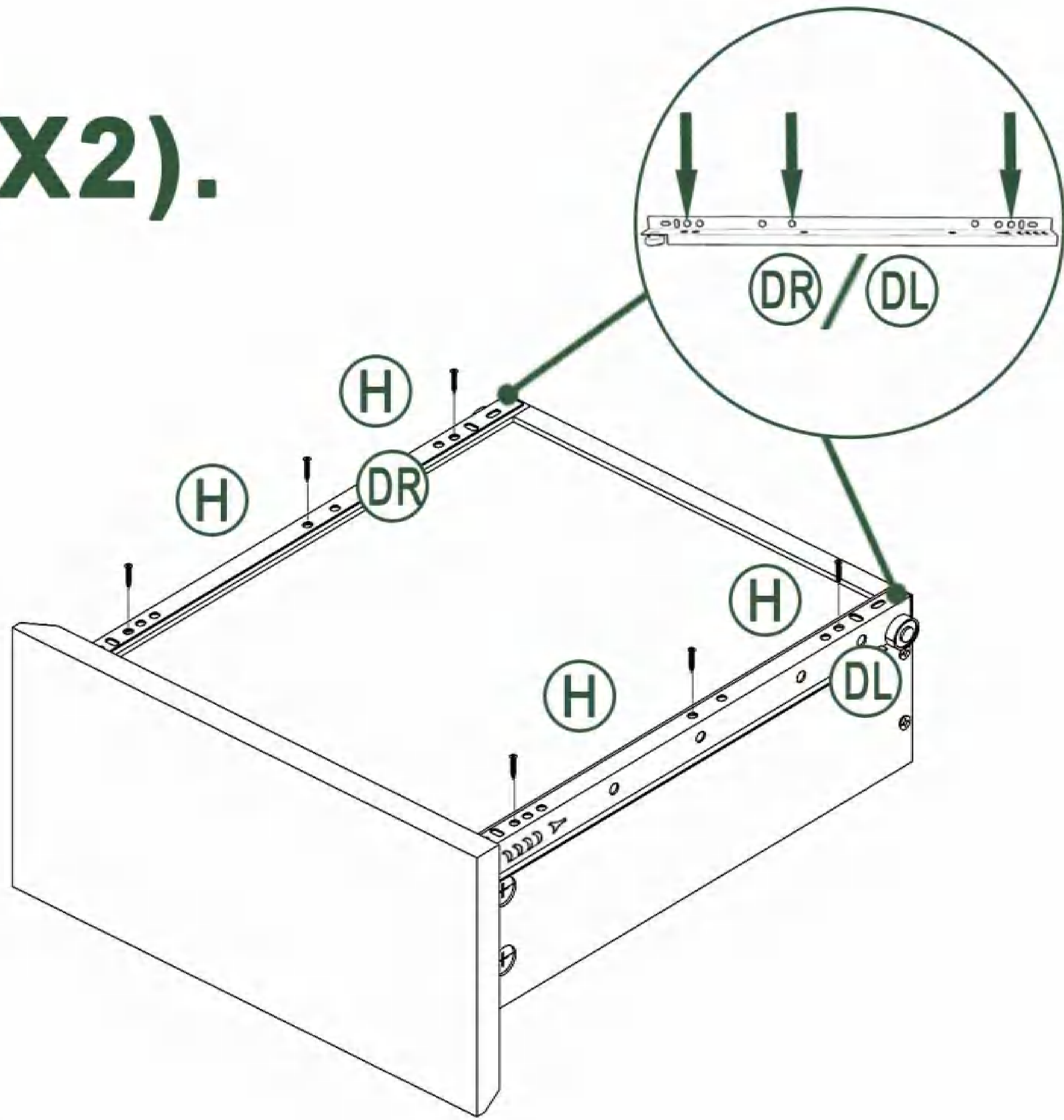
**17(X2).**



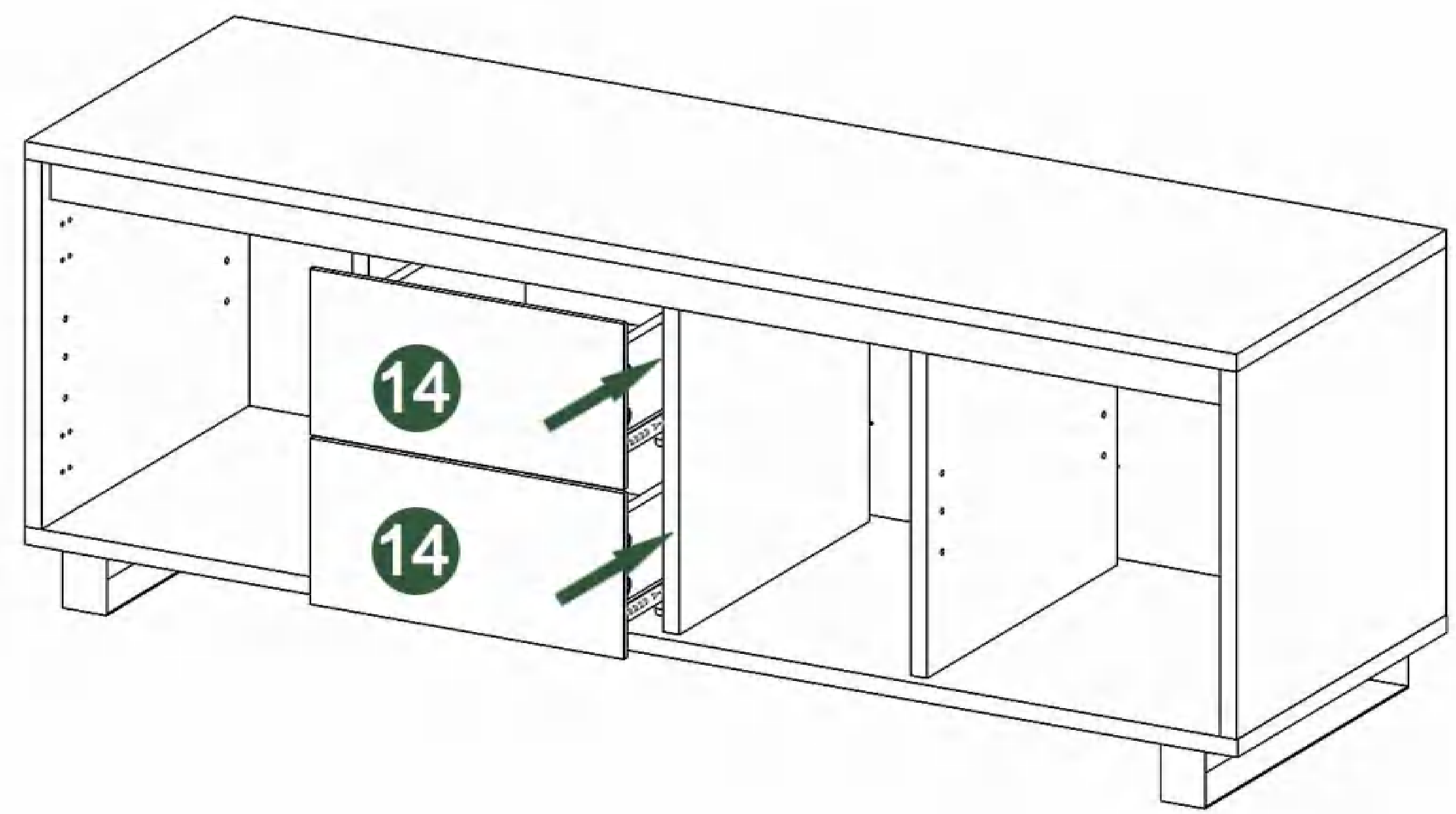
**18(X2).**



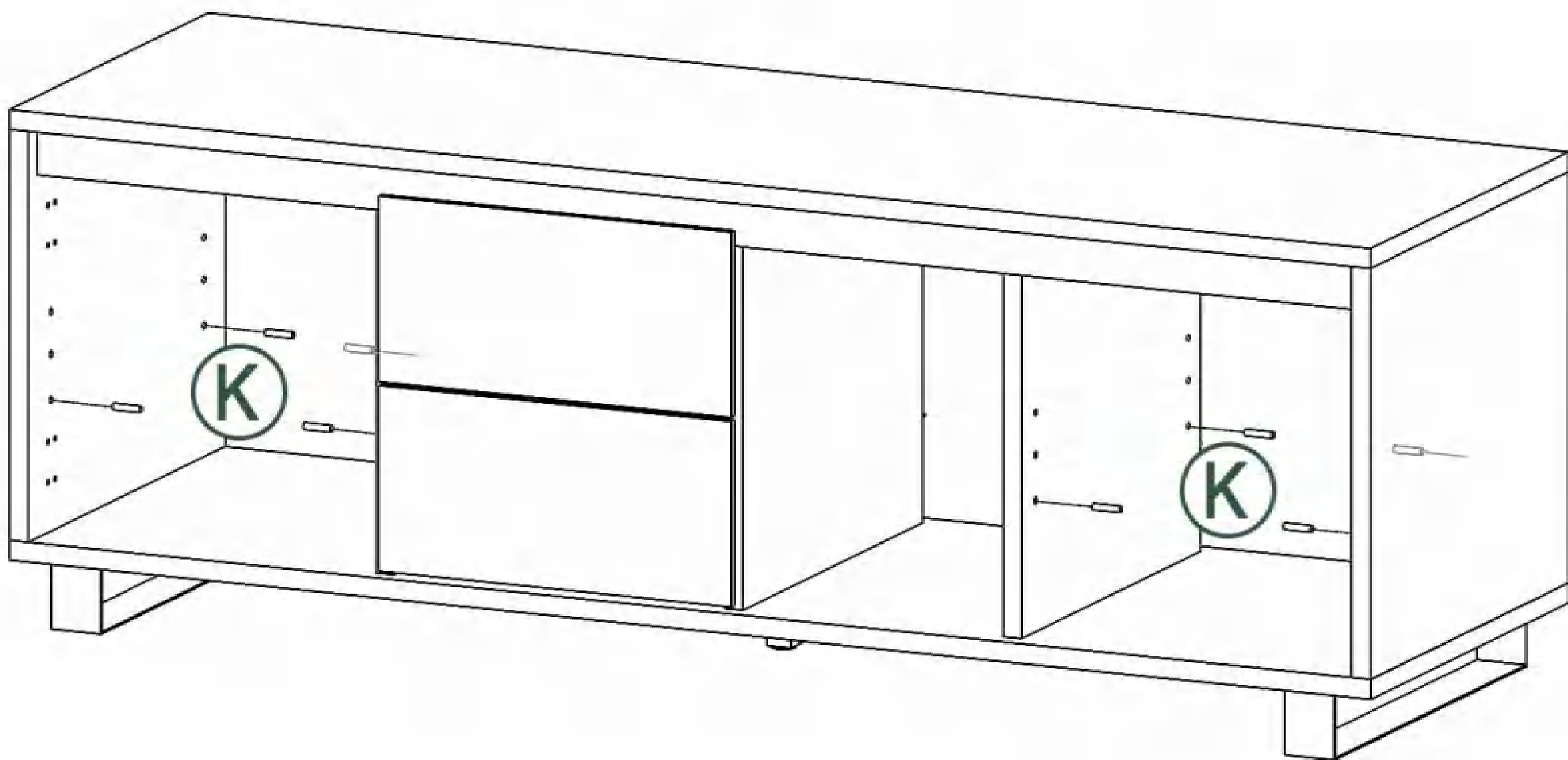
**19(X2).**



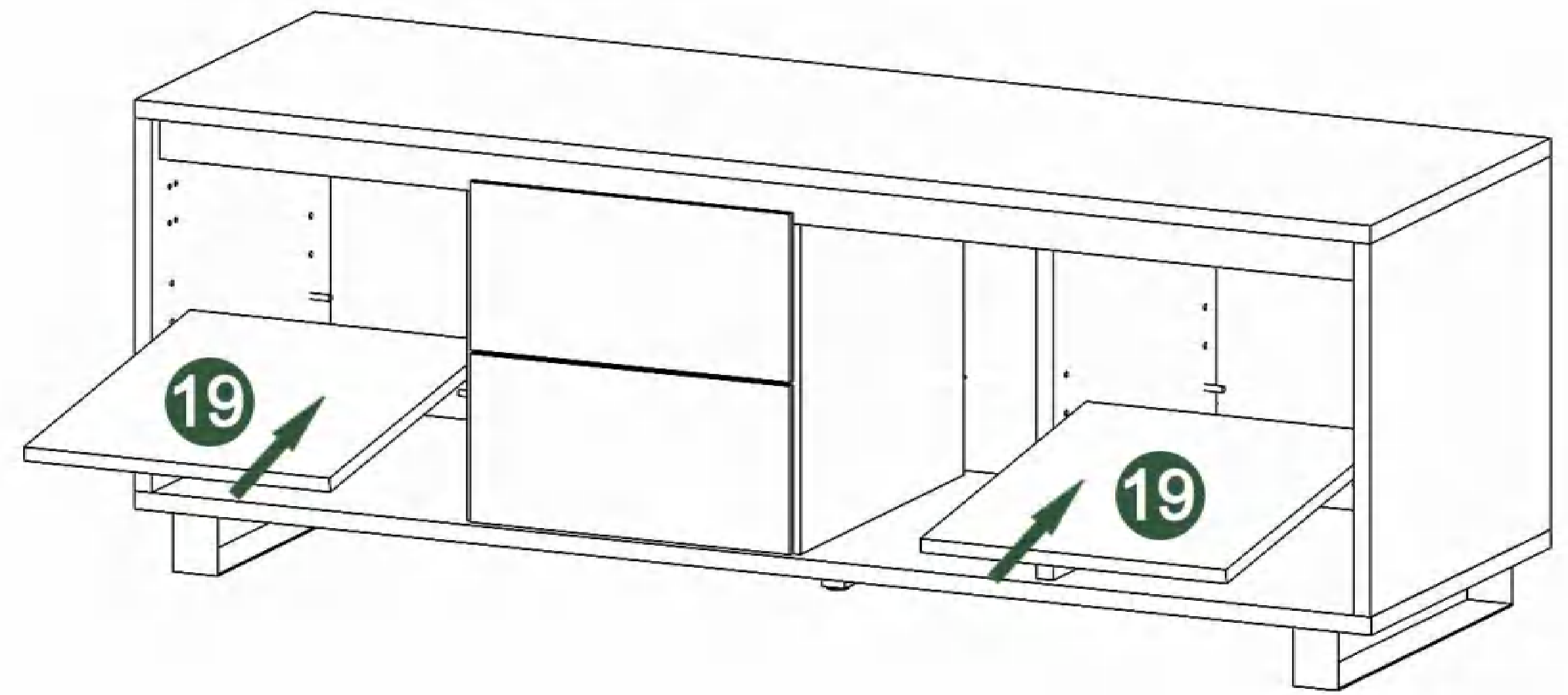
**20.**



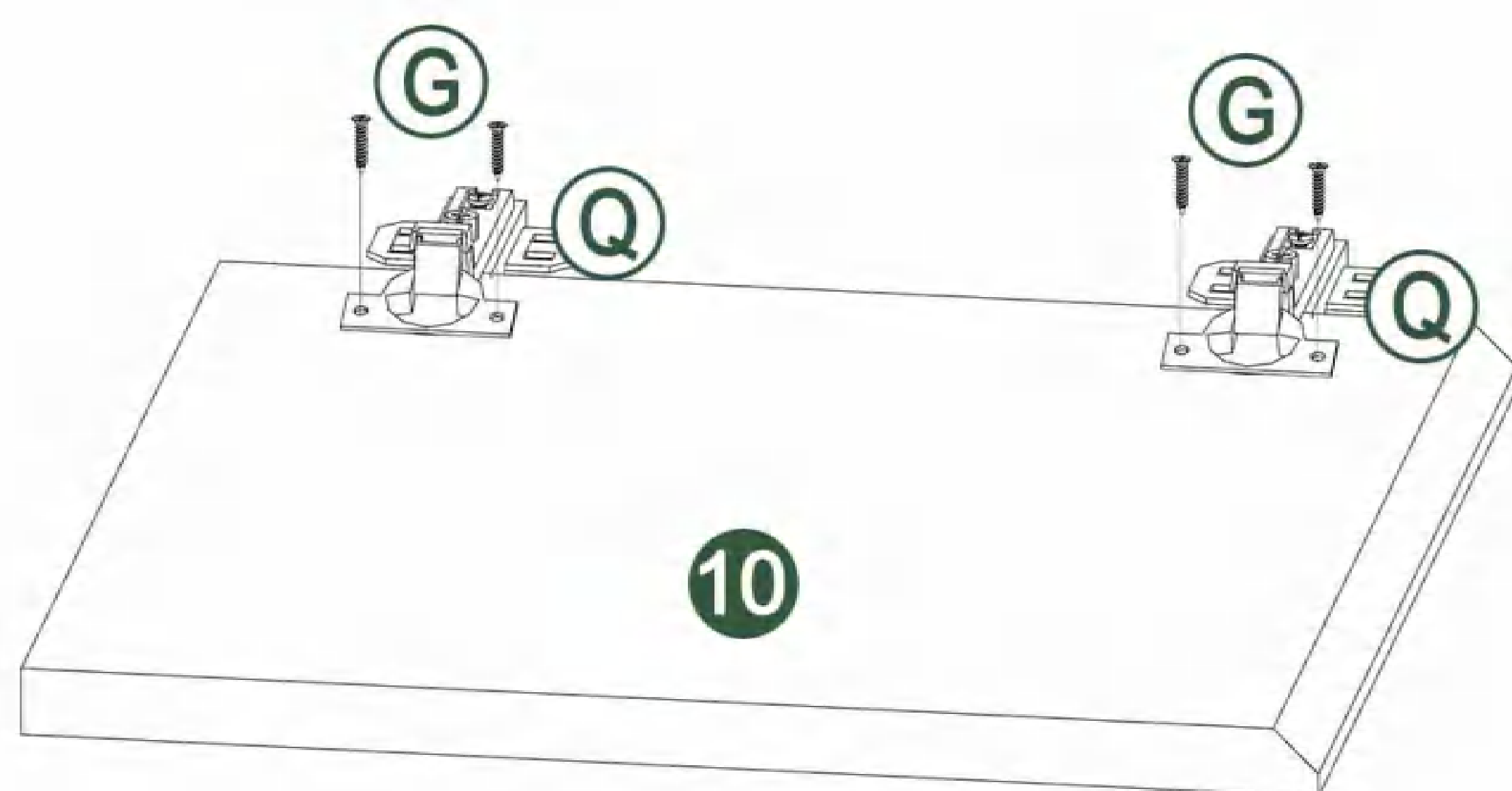
**21.**



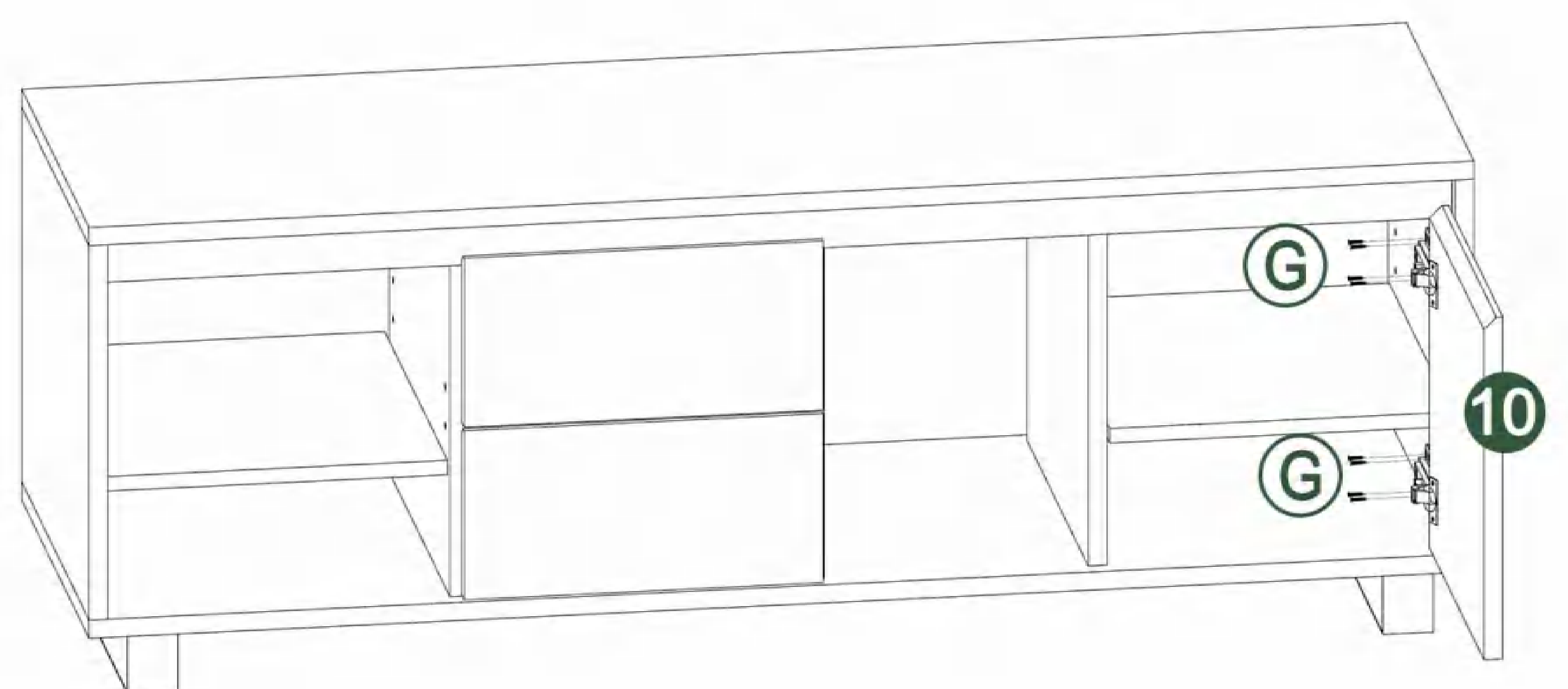
**22.**



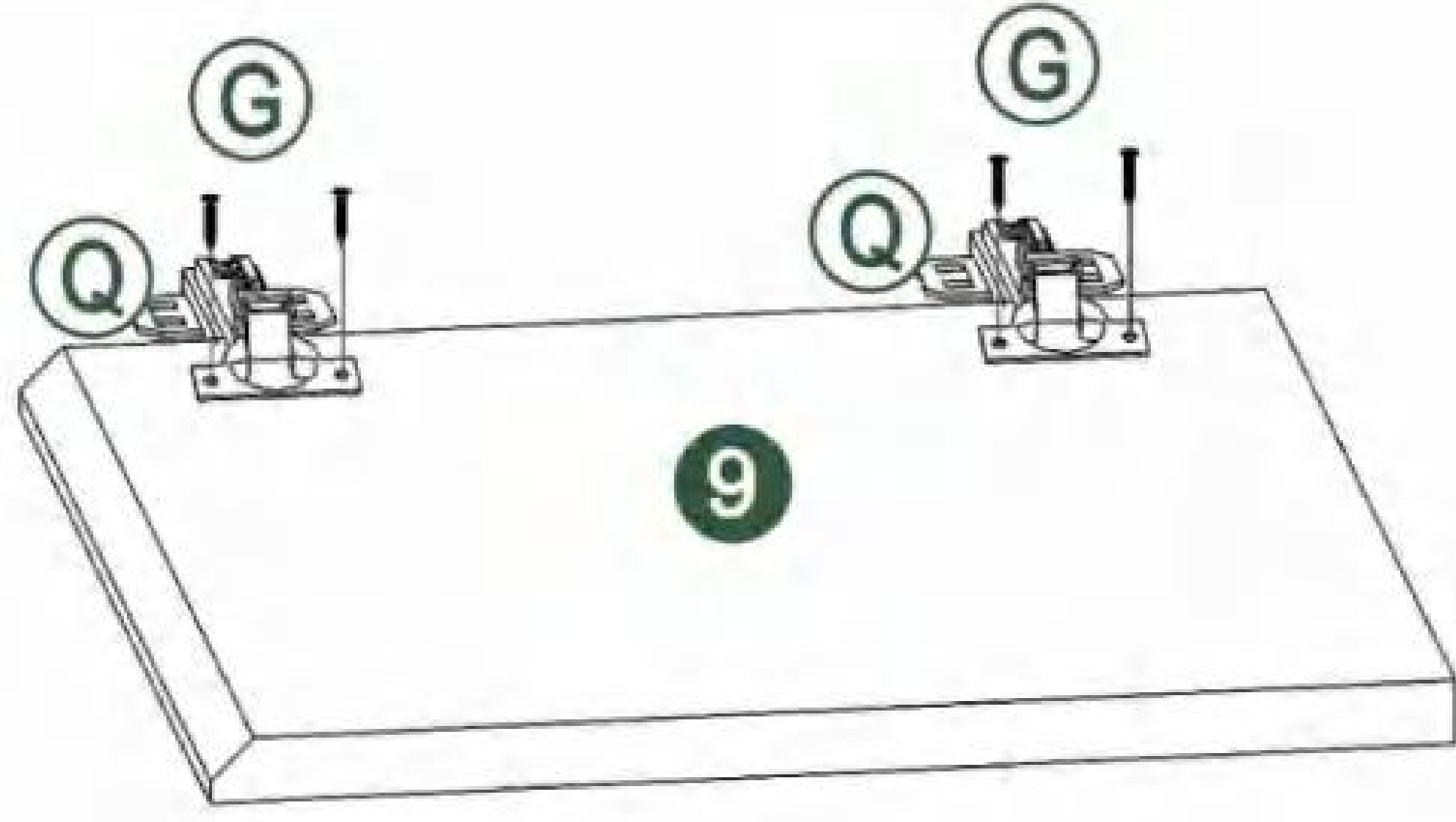
**23.**



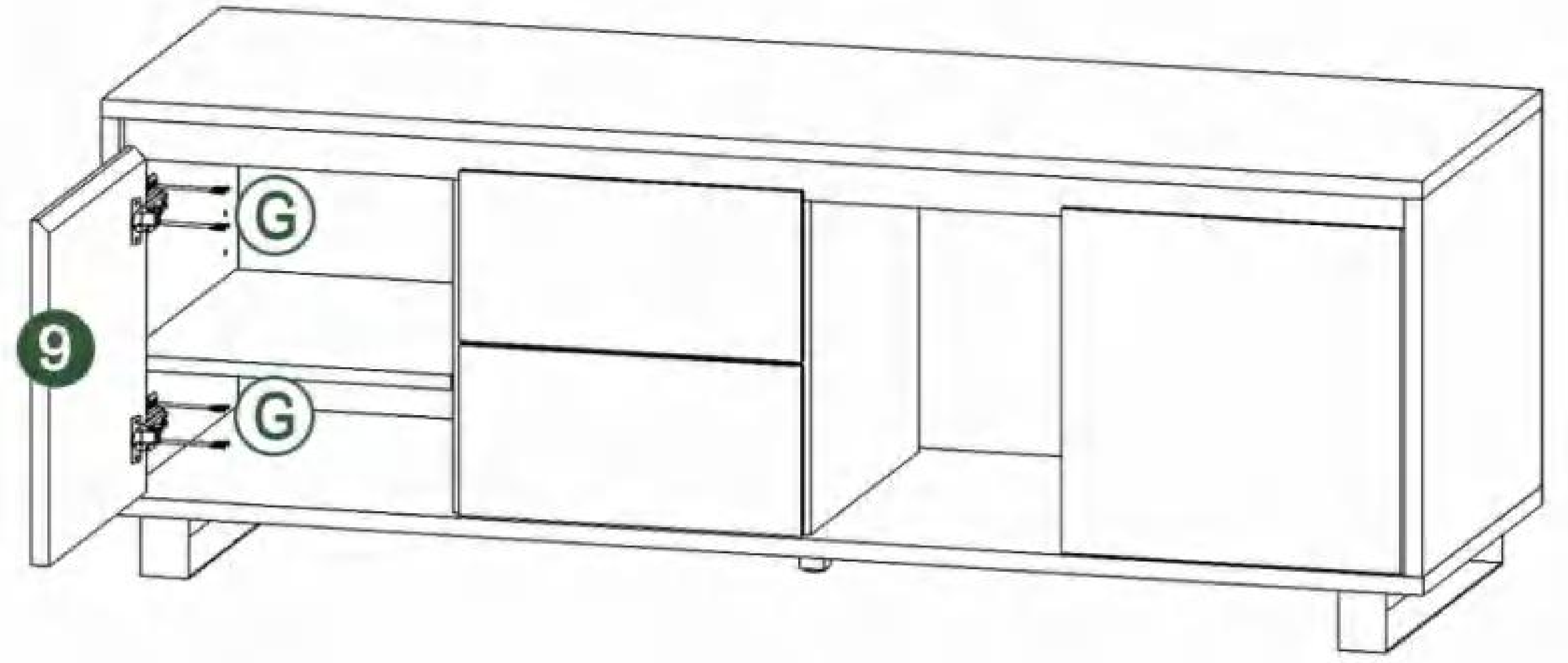
**24.**



25.



26.



27.

