

# WARNING !!

## Furniture Tipping Risk

Serious risk of severe or fatal crush injuries can occur from furniture tipping over if not secured.

Children like to climb on furniture and unsecured furniture can pose a serious danger.

Please follow all instructions and install the tip-over restraints provided

In addition to installing the restraints to help prevent tip-over:

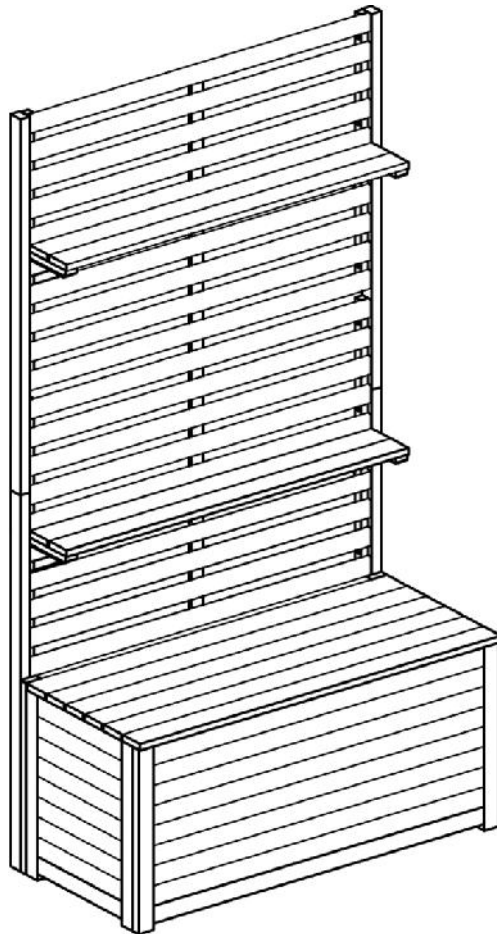
1. Place heaviest items in the lowest drawers.
2. Unless specifically designed to accommodate do not set tv's or other heavy objects on top of this product.
3. Never allow children to climb or hang on drawers or shelves.
4. Do not leave drawers open.

# Assembly Instructions

Caution: You must read this before you proceed

Please look in the back panel for hardware packs.

## Shelf

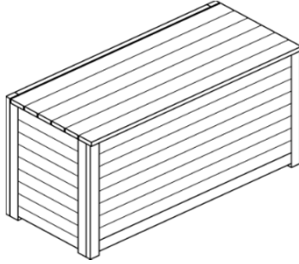
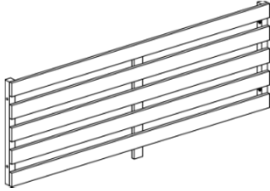







Caution: This Shelf is NOT a TOY.



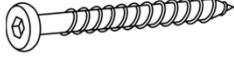

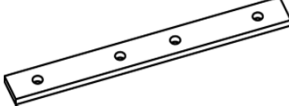
Keep your child/children at bay during the assembly process.

Whenever lifting or moving the Shelf and to prevent damage to the Shelf, two adults may be needed to execute these actions.



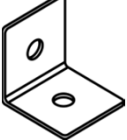
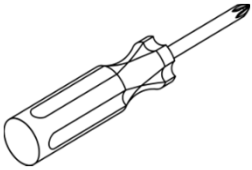
# Part List

| Label | Picture  | Description             | QTY |
|-------|--|-------------------------|-----|
| A     |  A perspective drawing of a rectangular storage box with horizontal slats on its front and side panels. | Storage Box             | 1   |
| B     |  A perspective drawing of a rectangular back panel with horizontal slats and a small lip at the bottom. | Back Panel              | 4   |
| C     |  A perspective drawing of a long, thin shelf with a lip on one end.                                     | Shelf                   | 2   |
| D     |  A vertical perspective drawing of a support bar with a lip on one side.                               | Right Lower Support Bar | 1   |
| E     |  A vertical perspective drawing of a support bar with a lip on one side.                              | Left Lower Support Bar  | 1   |
| F     |  A vertical perspective drawing of a support bar with a lip on one side.                              | Right Upper Support Bar | 1   |
| G     |  A vertical perspective drawing of a support bar with a lip on one side.                              | Left Upper Support Bar  | 1   |

# Hardware

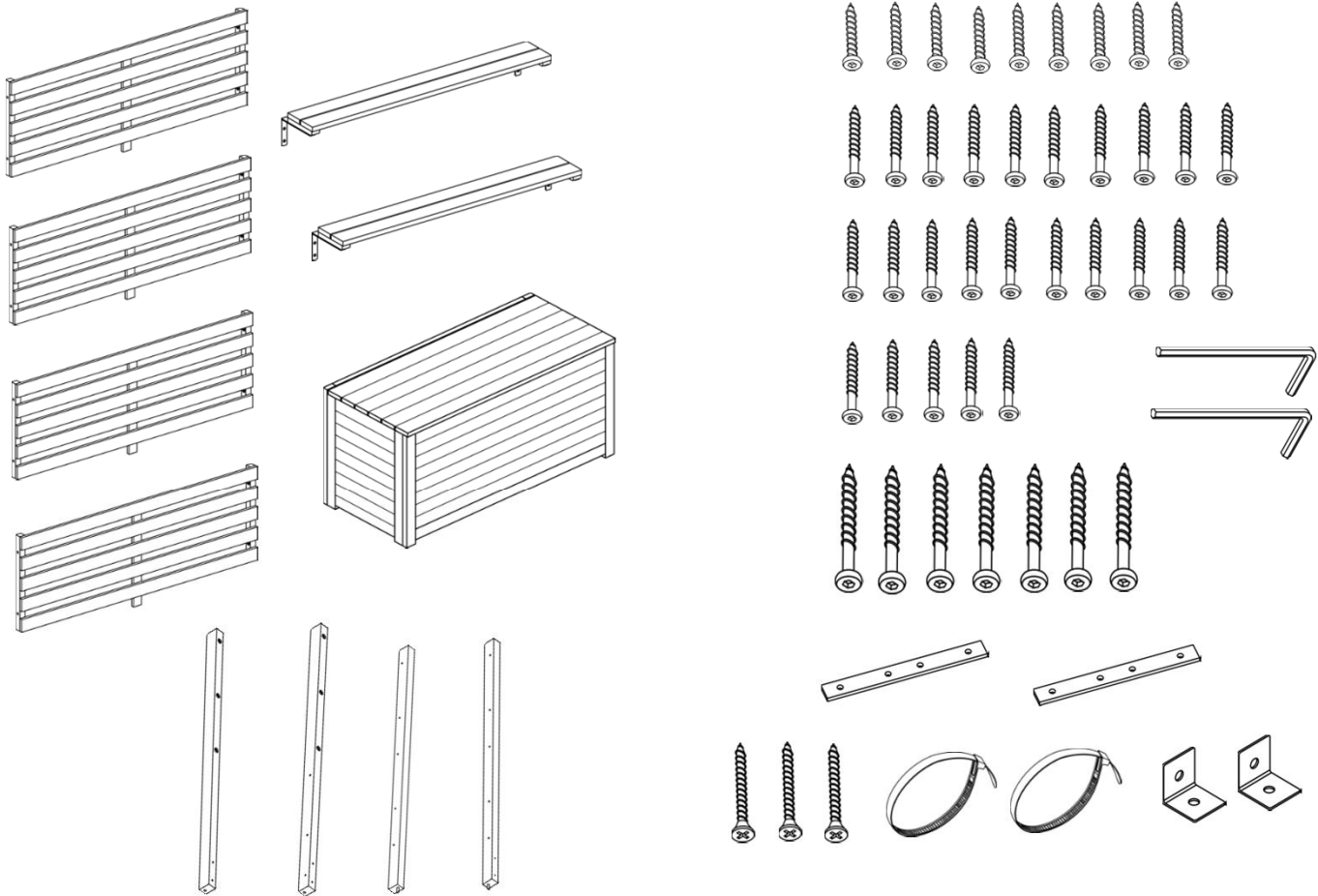
| Label | Picture   | Description         | QTY |
|-------|---|---------------------|-----|
| ①     |  | Screw<br>(M6x25mm)  | 9   |
| ②     |  | Screw<br>(M6x35mm)  | 25  |
| ③     |  | Screw<br>(M6x65mm)  | 7   |
| ④     |  | Allen Key           | 2   |
| ⑤     |  | Straight<br>Bracket | 2   |

## Cabinet Restraint Device Hardware:

|   |   |                               |   |
|---|---|-------------------------------|---|
| ⑥ |  | Screw<br>(M4x50mm)            | 3 |
| ⑦ |  | Cabinet<br>Restraint<br>Strap | 2 |
| ⑧ |  | Metal Bracket                 | 2 |
| ⑨ |  | Screwdriver<br>(Not provided) | 1 |

# Assembly Preparation

Before Beginning Assembly:



- Read instructions, cover to cover-



- Have 2 adults on hand for assembly-



- Do not assemble on flooring or carpet-



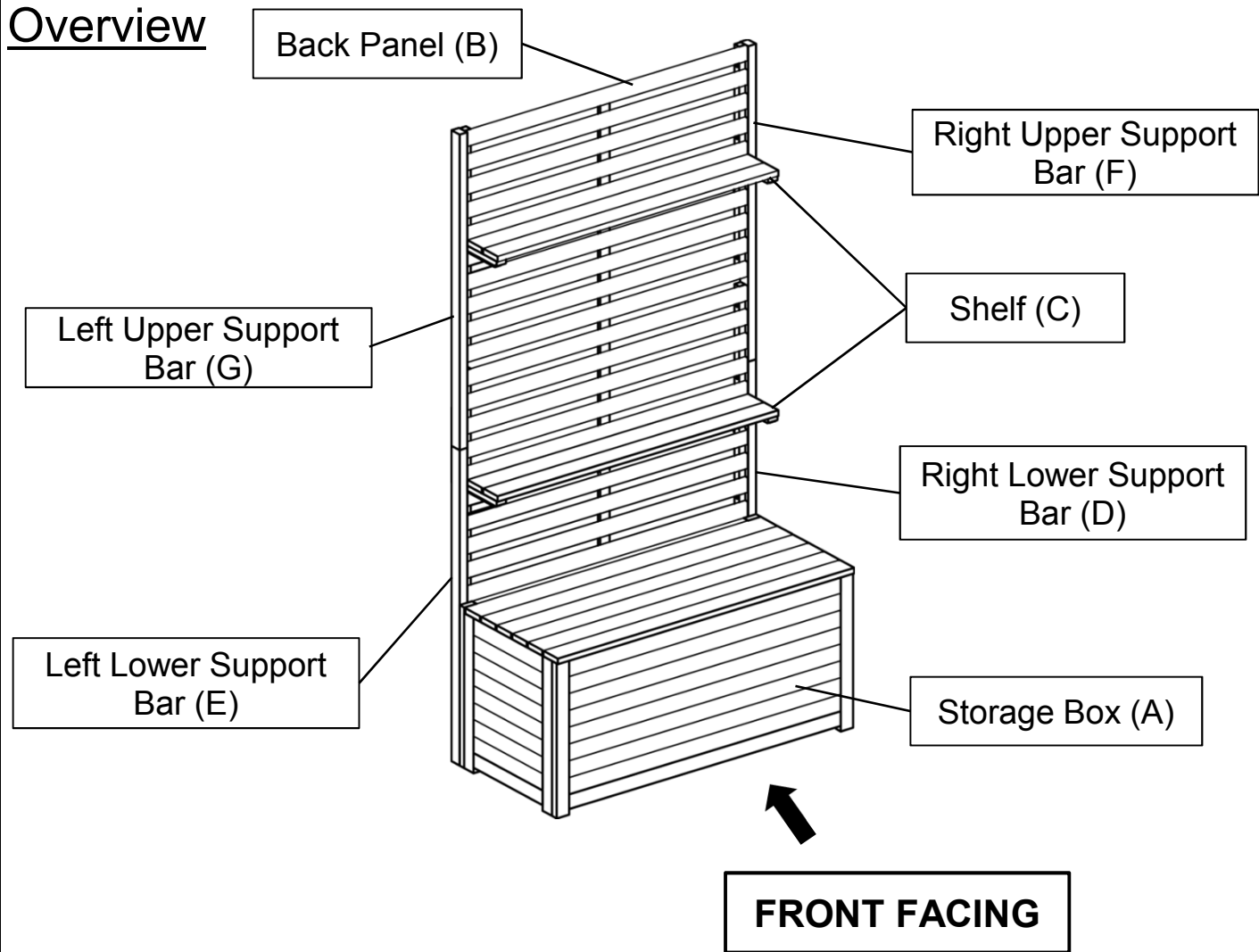
- Assemble on a clean non-marring surface (packing foam)-



- Save all packaging until finished-

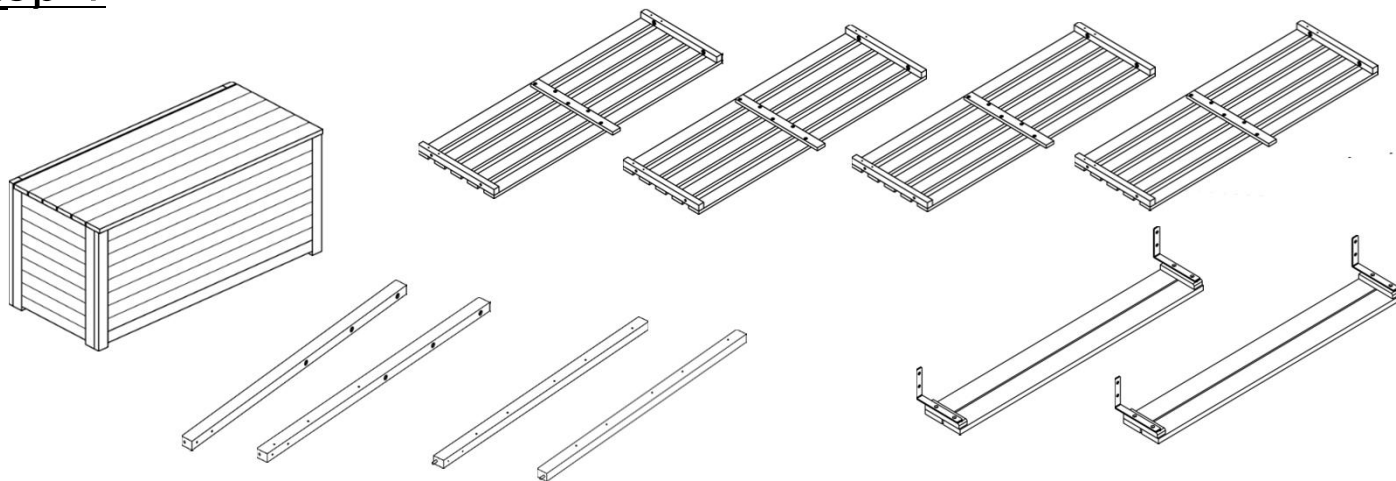
# Assembly Steps

## Overview



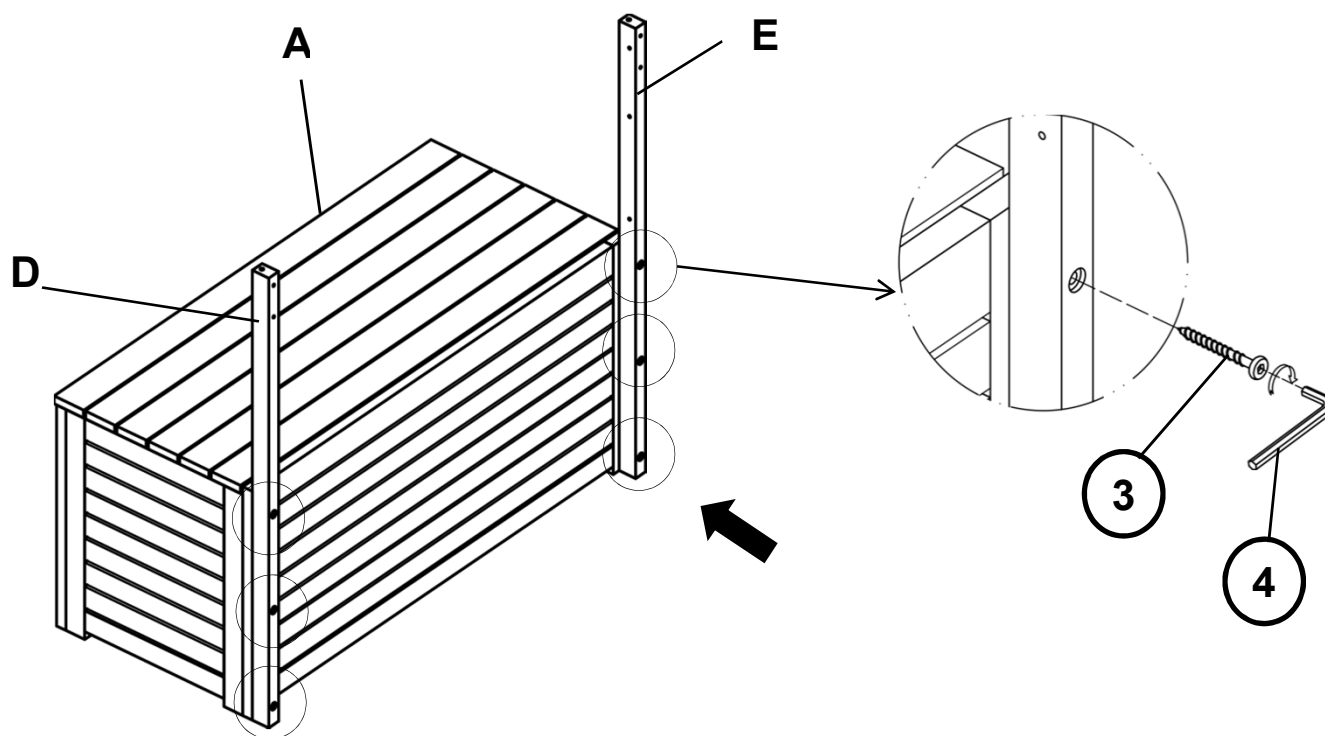
This Shelf has multiple parts and may require up to 45 minutes to assemble. To give you an overview of the Shelf parts, the above picture is to help you put the various parts into perspective. Please read through the instructions below to familiarise yourself with the parts and steps before assembly.

## Step 1



Unpack and place all parts on a clean, non-marring surface.

## Step 2



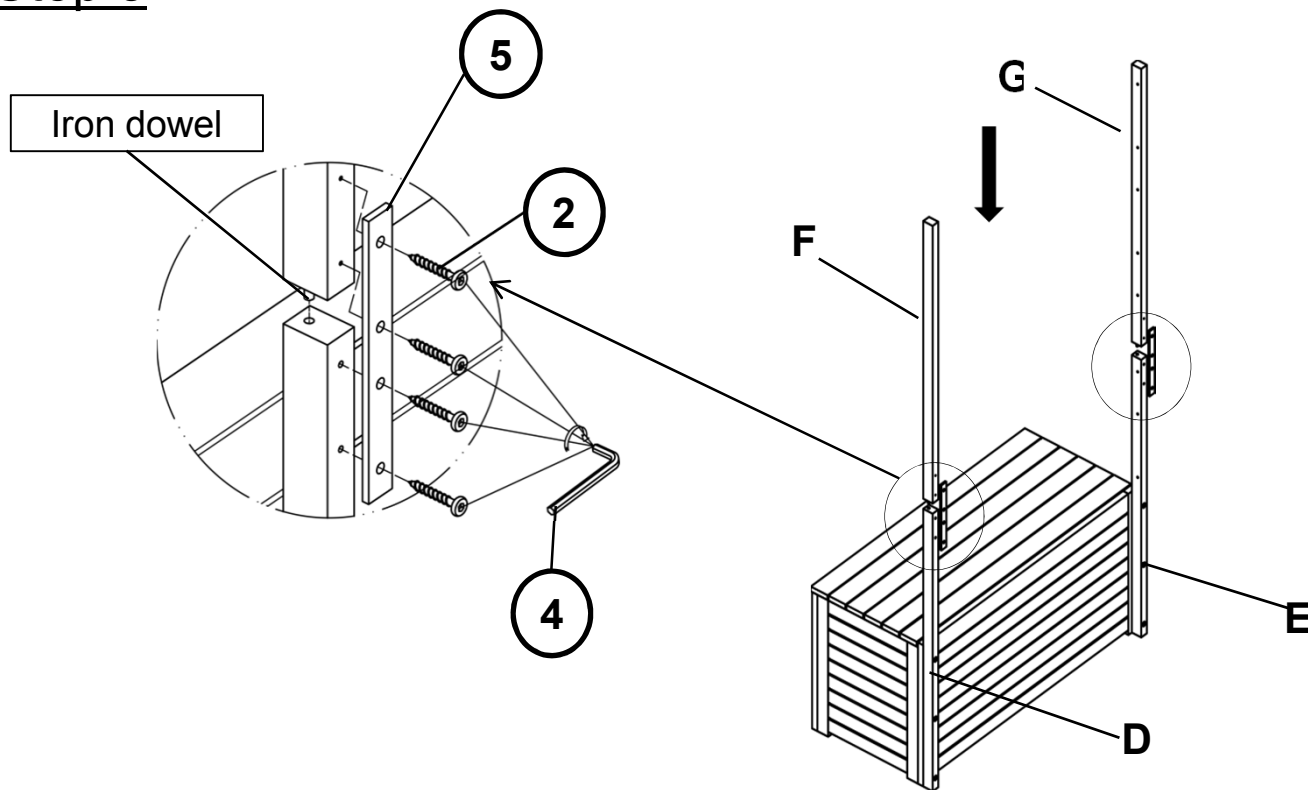
Position the Storage Box(A) on a clean, non-marring surface.

Attach Left Lower Support Bar(E) to Storage Box(A) using Screws(③) with Allen Key(④) as pictured above.

Repeat the same process with Right Lower Support Bar(D).

**Do not fully tighten the Screws.**

## Step 3



Insert the Right Upper Support Bar(F) with prefixed iron dowel into the housing of Right Lower Support Bar(D) as pictured above.

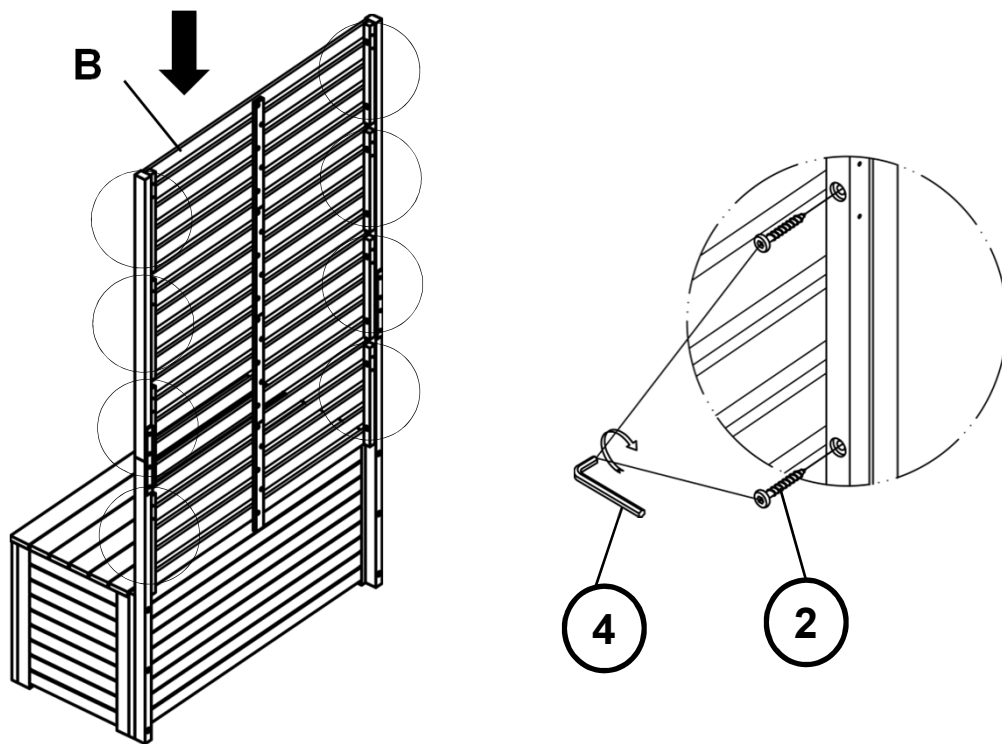
Secure the Right Upper Support Bar(F) to the Right Lower Support Bar(D) using Straight Bracket(5), and Screws(2) with Allen Key(4).

Repeat the same process to attached Left Upper Support Bar(G) to the Left Lower Support Bar(E)

**Do not fully tighten the Screws.**



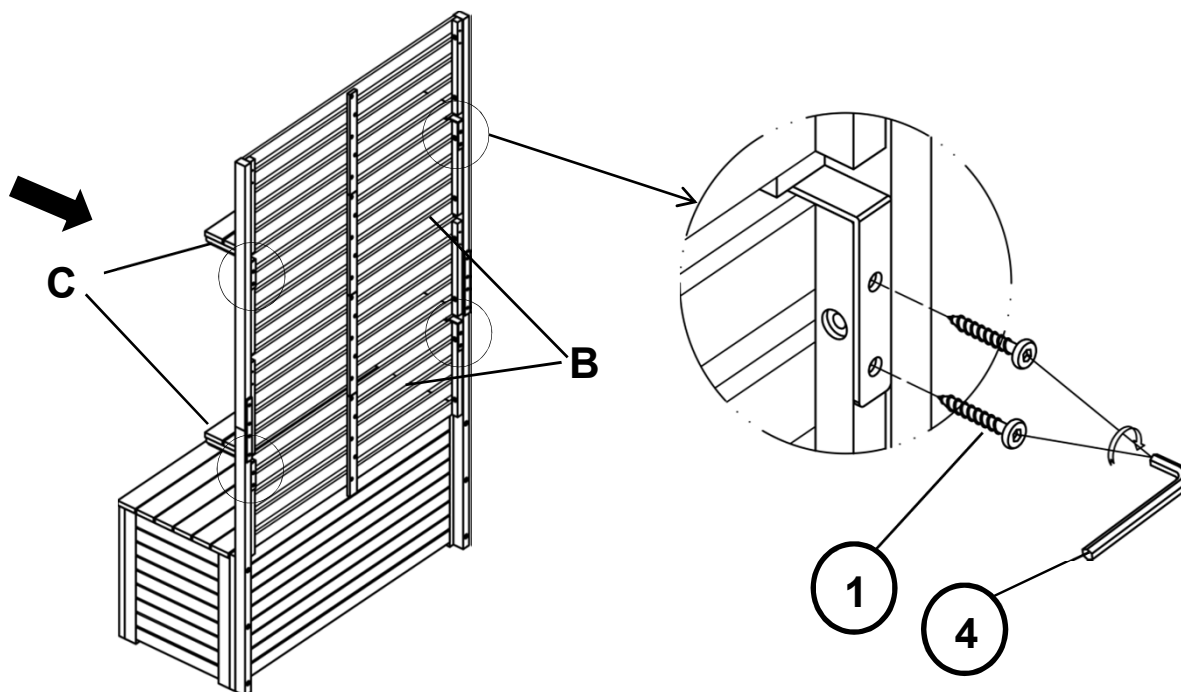
## Step 4



Attach the Back Panel(B) to Support Bars using Screws(②) with Allen Key(④) as pictured above.

**Do not fully tighten Screws.**

## Step 5



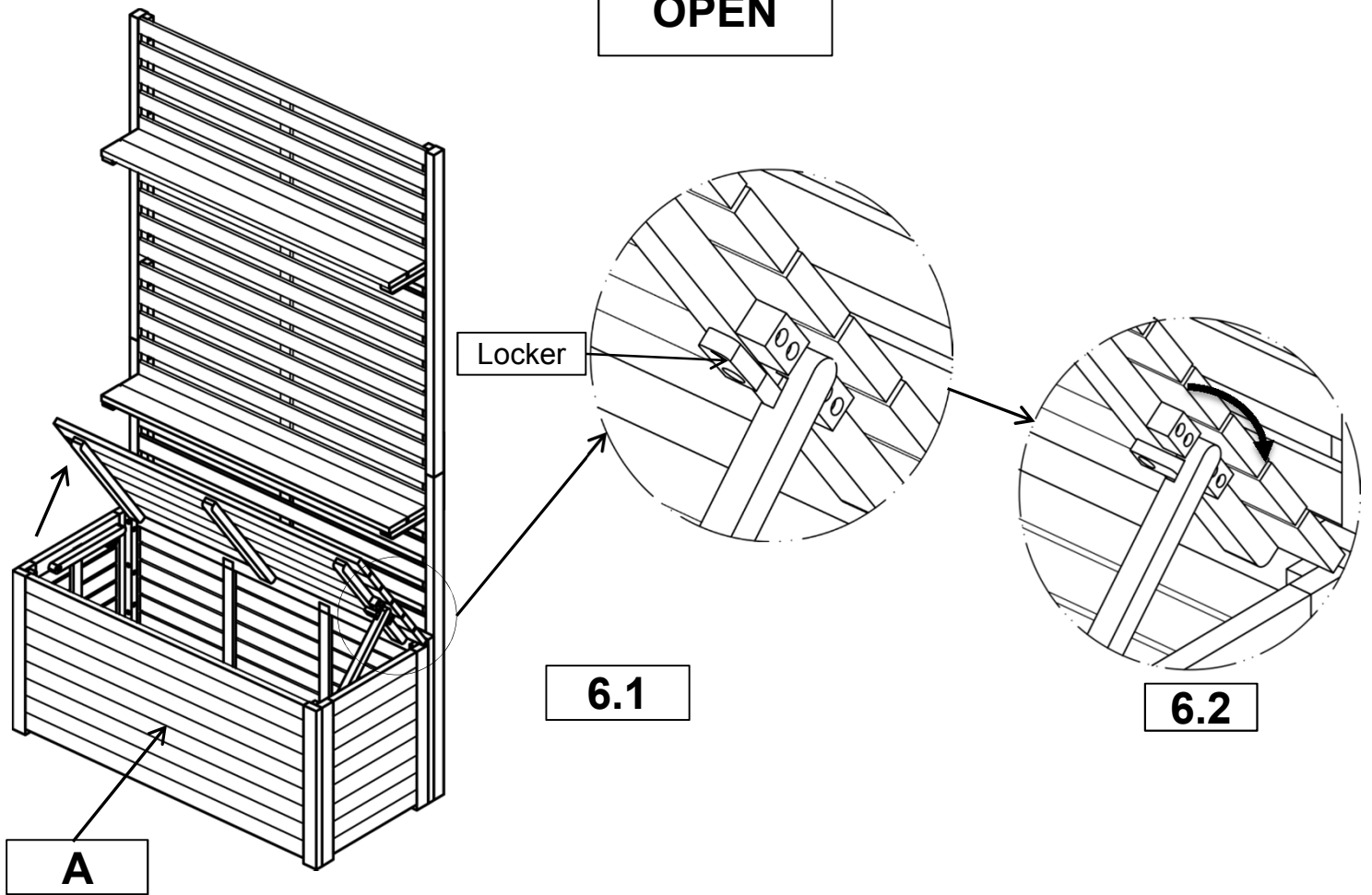
Place the Shelves(C) on the Back Panel(B) as shown above.

Attach the Shelves(C) to Back Panel(B) using Screws(①) with Allen Key(④).

**Do not fully tighten Screws.**

## Step 6

OPEN



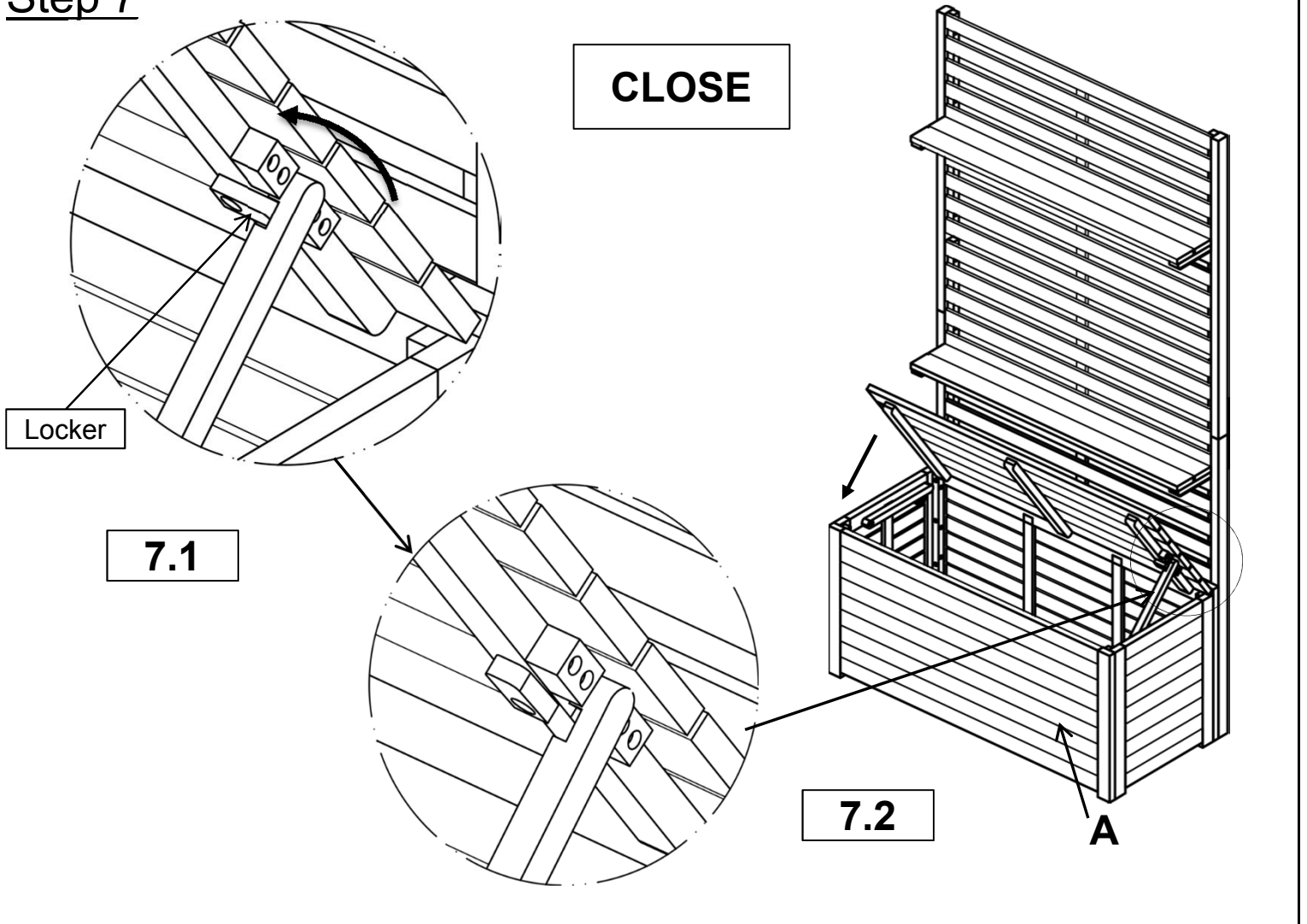
### To open the Storage Box(A):

**6.1)** Gently push the top of Storage Box(A) up then position wooden support bar as shown in picture above.

**6.2)** Place the locker into the housing of wooden support bar to lock.

**Caution: Be careful when opening Storage Box(A) to avoid the finger strapped.**

## Step 7

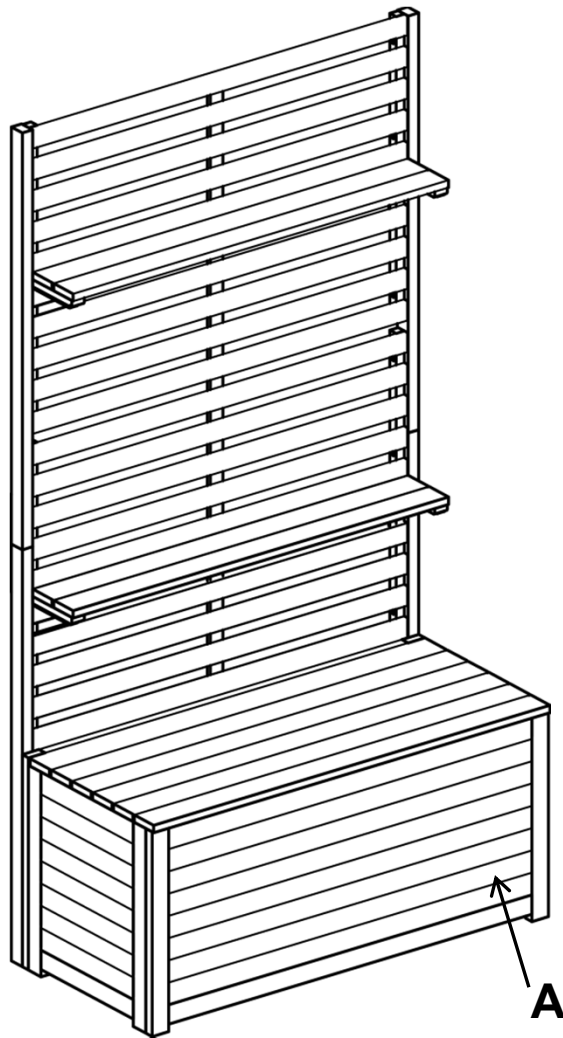


### To close the Storage Box(A):

7.1) Unlock the wooden support bar as shown in picture above.

7.2) Lift up the top of Storage Box(A) a little bit to move the support bar out of the top of the Storage Box, then pull down the top.

**Caution: Be careful when closing Storage Box(A) to avoid the finger strapped.**



Now tighten all Screws at all joints in a sequential manner.

**When tightening the Screws tighten sequentially.**

**Do not tighten any Screw fully and then move on towards the next one.**

Your Shelf is ready for use.

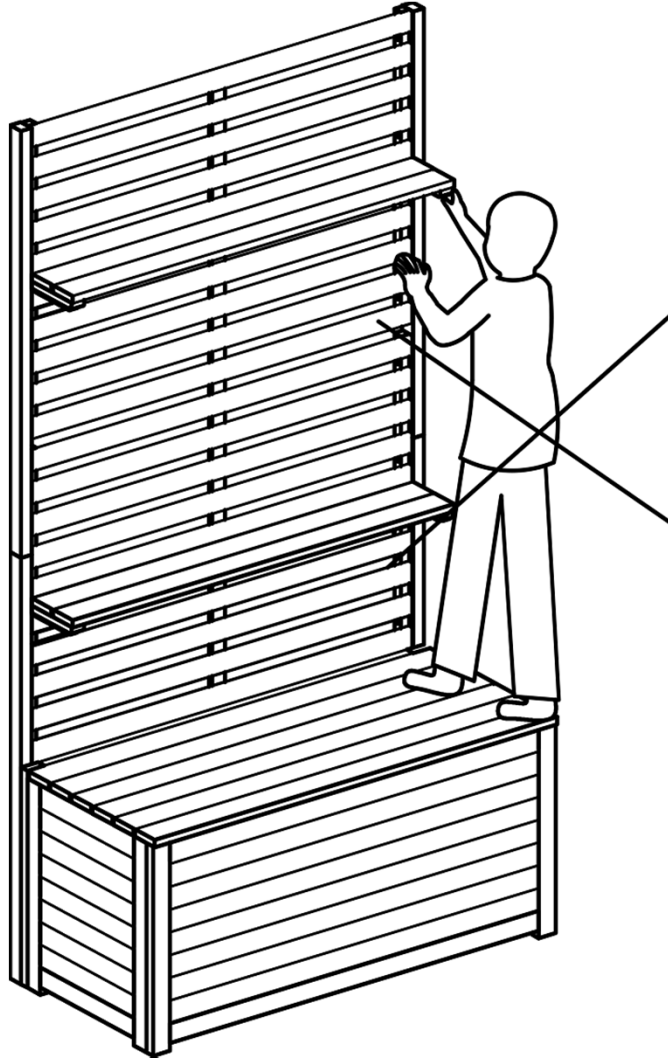
**Caution: The Storage Box (A) is not a seating, please do not seat or stand on it.**

**This Shelf can only be used on a flat, level surface.**

## Cabinet Restraint Device Installation Instructions:



Serious or fatal crushing injuries can occur from tipping furniture. To help prevent tip-over: ALWAYS secure this furniture to the wall using Shelf Restraint Device. See product instructions for more ways to help prevent furniture tip-over.

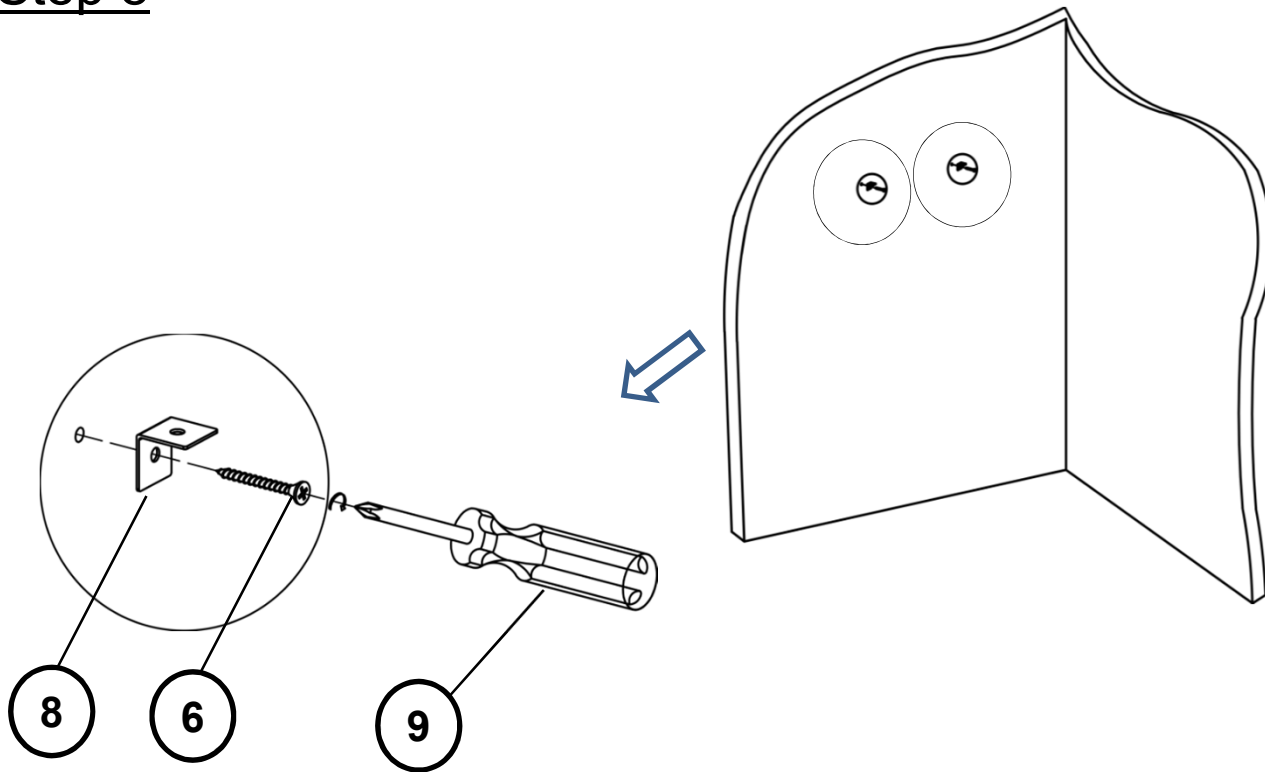


### Usage For Cabinet Restraint Device:

To Secure Shelf against wall, attach Metal Brackets(⑧) to wall, and use Shelf Restraint Straps(⑦) to connect the Metal Brackets(⑧) and the Shelf.

### Instructions:

## Step 8



Find the location of the screw holes on the wall.

You can mark these points in two ways as below:

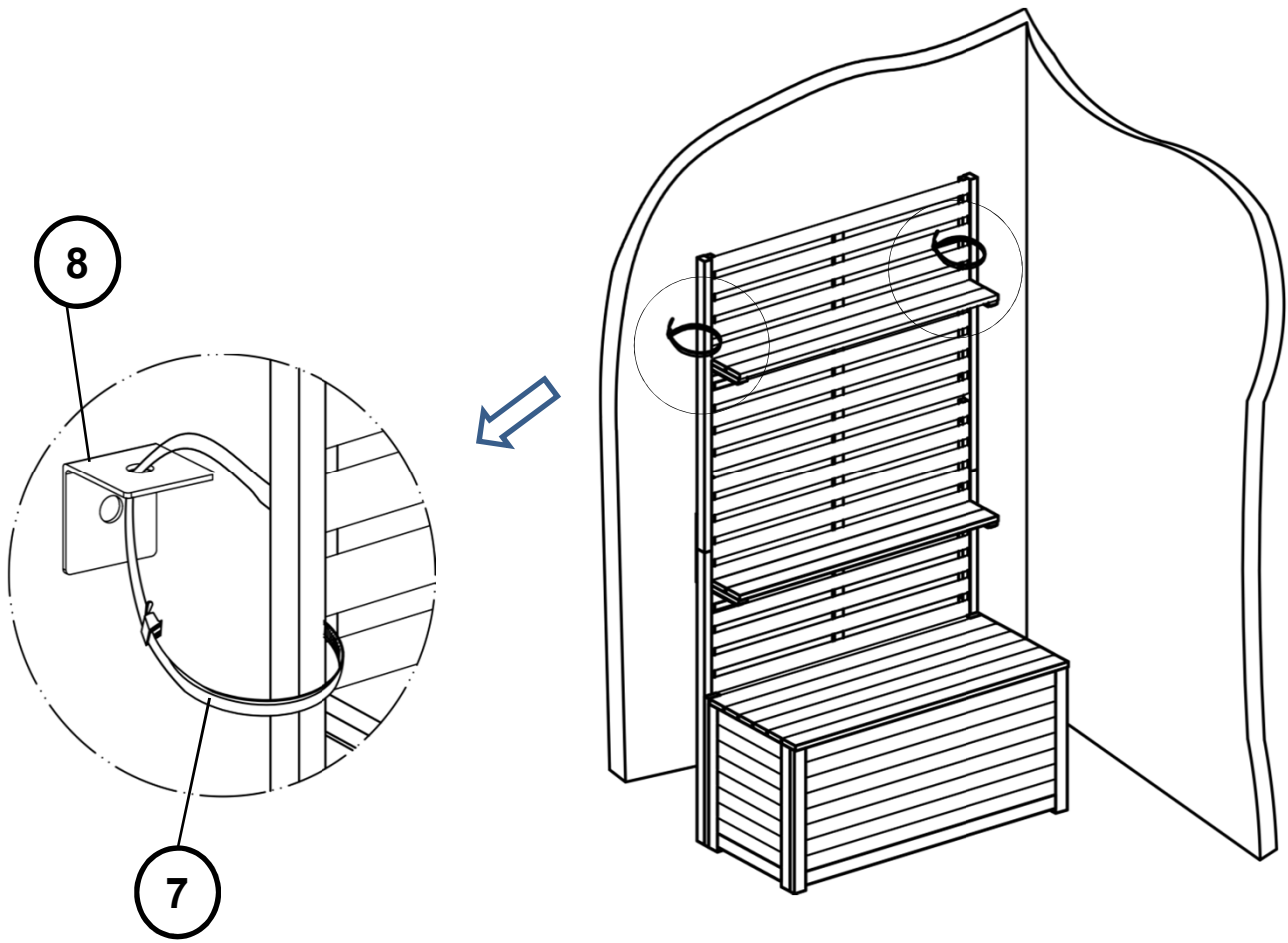
1) Move the Shelf back to the wall. Mark two points the same height as the Shelf on the wall.

**Note: The Metal Brackets need to be secured to solid, load bearing surface. Please use a Stud Finder(not supplied) if needed to locate the Wall Frame.**

2) Measure the height of the Metal Brackets(8) with ruler/measuring tape and mark on wall to keep them accurate and same height.

**(Caution: The Shelf Restraint Strap(7) between the product and Metal Brackets(8) on the wall should be within 3.5")**

Then attach L-shaped Metal Brackets(8) to wall using Screws(6) with Screwdriver(9).












Move the Shelf back against wall.

Pull the Restraint Straps(⑦) through the Metal Brackets(⑧) on the wall and around the Left Upper Support Bar(G) and Right Upper Support Bar(F), and pull the Restraint Straps(⑦) tight.

**The Shelf Restraint Device is installed and your Shelf is ready for use.**

## Care & Maintenance

-  Do not put hot items directly on furniture surface
  -  Do not clean furniture with harsh cleansers or polish.
  -  To obtain the longest lifespan of your outdoor products, minimizing exposure to direct sunlight is recommended.
  -  Children should not climb or jump on the furniture.
  -  Do not write on furniture without a padded barrier to protect the surface.
  -  To obtain the longest lifespan of your outdoor products, avoid extended and lengthy exposure to rain, snow, and direct sunshine. Whenever possible cover the product and /or place under patio or awnings.
  -  Not for commercial use. For residential use only .
  -  Stains may be removed with mild soap solution and damp cloth.
- 
-  Dust and pick-up spills using a clean, non-colored, lint-free cloth .