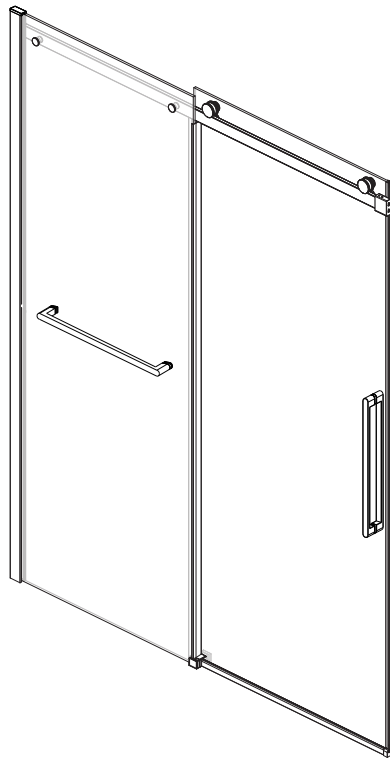




Installation Guide

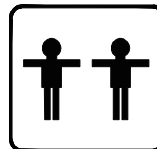
RX-SD24-6076



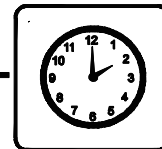
Thank you for selecting our quality product. Prior to assembly, carefully inspect all packing materials for any loose parts. Separate and count all components, comparing them to the parts list provided.

Reminder

Refrain from tightening screws until assembly is complete. This ensures proper alignment and avoids any complications.



+



30-60 mins



Tools Required
(Not included)

IMPORTANT:
PLEASE READ INSTRUCTIONS BEFORE STARTING THE ASSEMBLY.

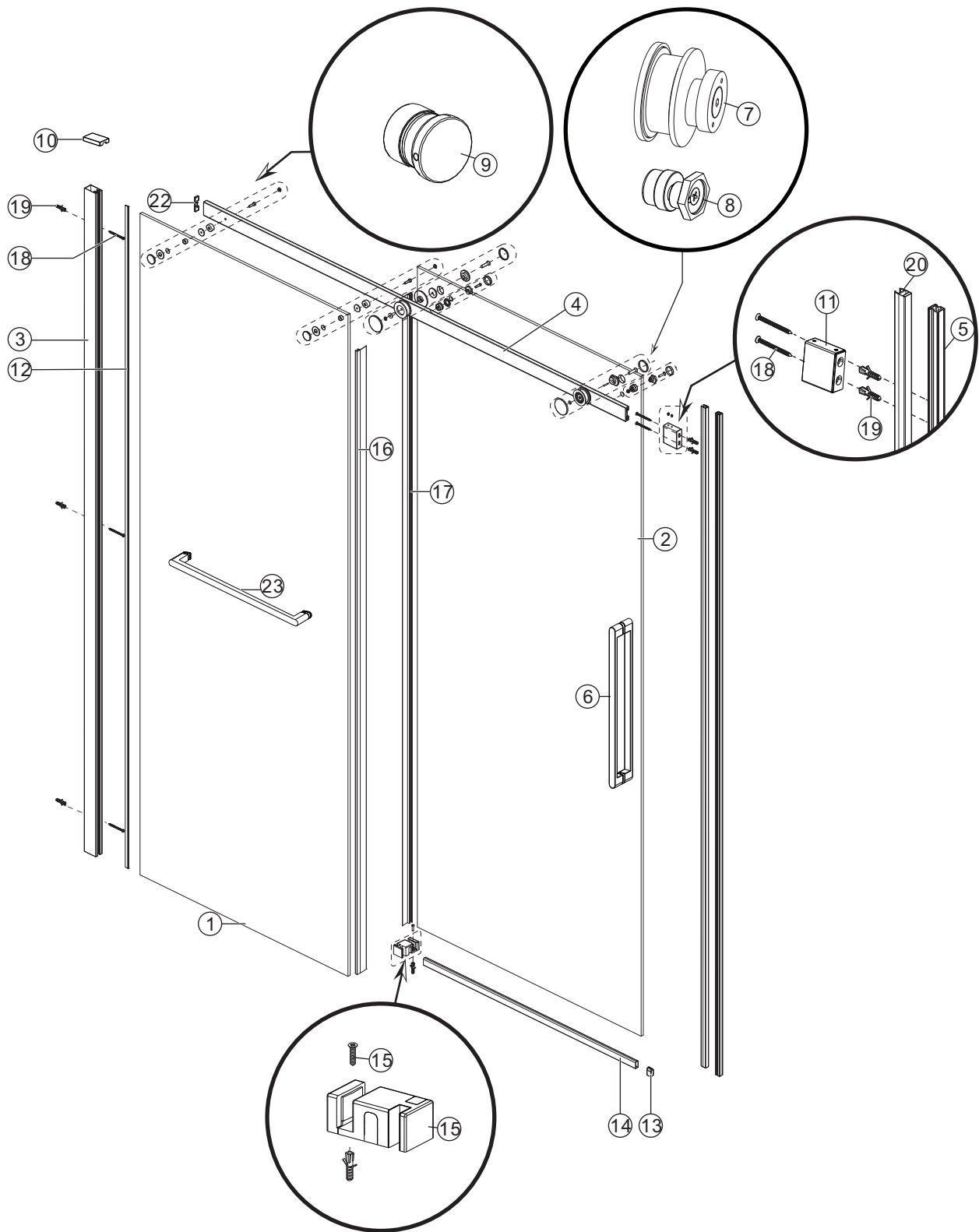
Thank you for choosing our products. We are confident that our shower doors will enhance the beauty and functionality of your bathroom.

Before you begin, please read the installation manual carefully. Follow the instructions step by step to ensure a smooth and successful installation. Our detailed guidance is designed to help you achieve professional results with ease.

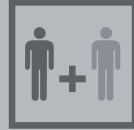
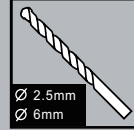
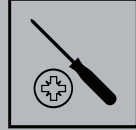
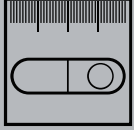
If you have any questions or need assistance at any stage, do not hesitate to contact our customer support team. We're here to help!

Enjoy your new shower doors and the transformation they bring to your space.

Exploded View



Tools & Parts List



[1]



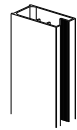
X1

[2]



X1

[3]



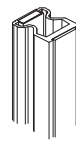
X1

[4]



X1

[5]



X1

[6]



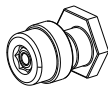
X1

[7]



X2

[8]



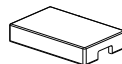
X2

[9]



X2

[10]



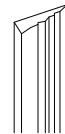
X1

[11]



X1

[12]



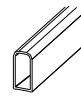
X1

[13]



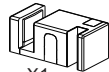
X1

[14]

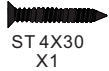


X1

[15]

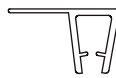


X1



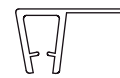
X1

[16]



X1

[17]



X1

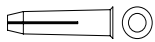
[18]



ST 3.5X45

X5

[19]



X6

[20]



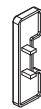
X1

[21]



X1

[22]



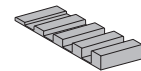
X1

[23]



X1

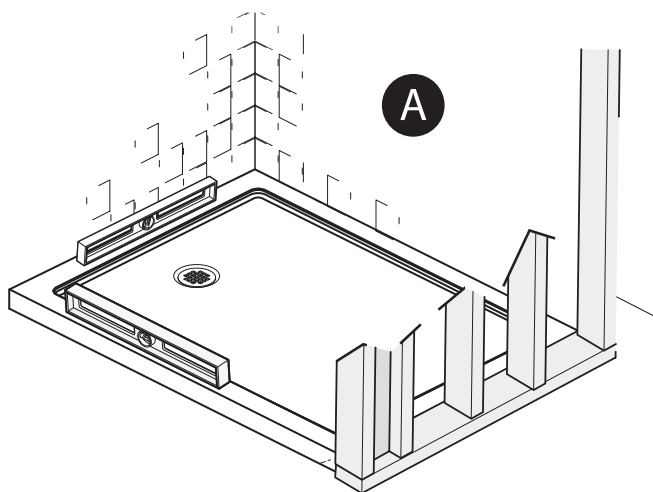
[24]



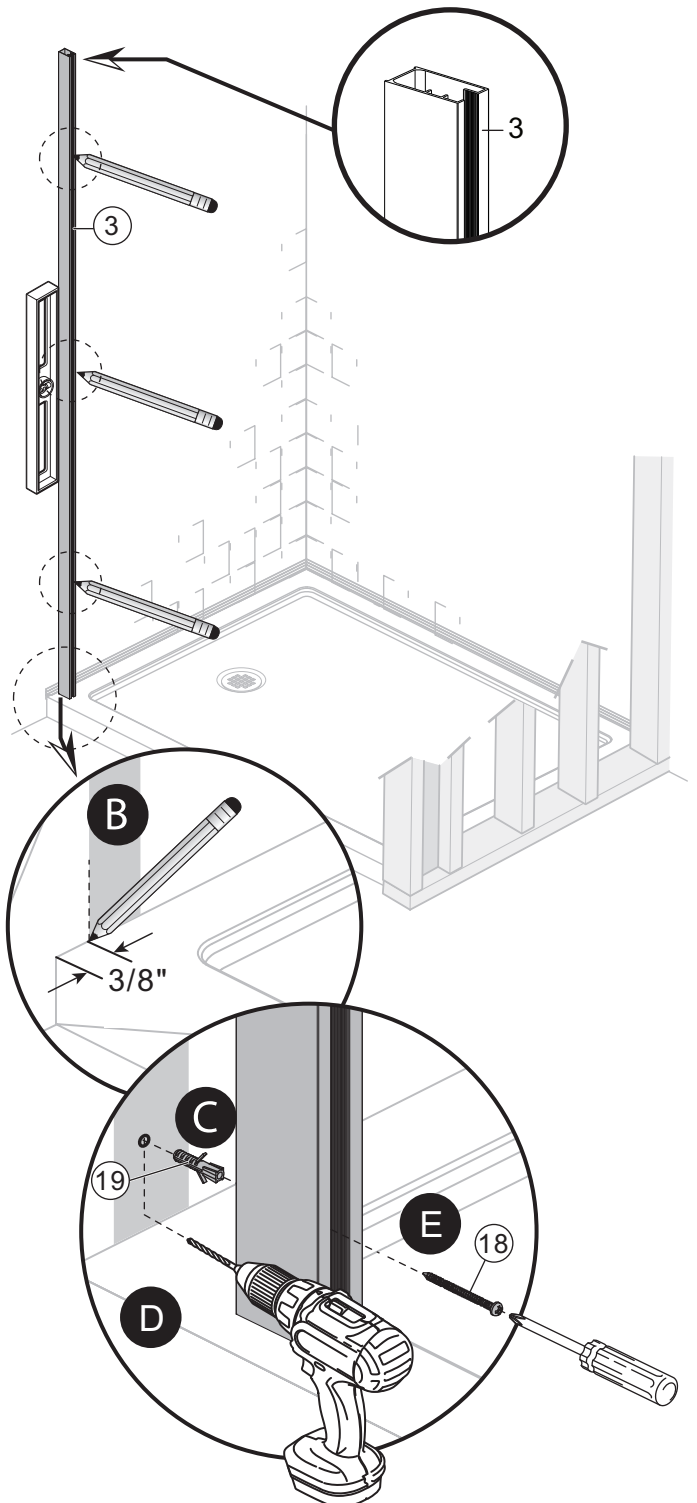
X1

Installation Step

1

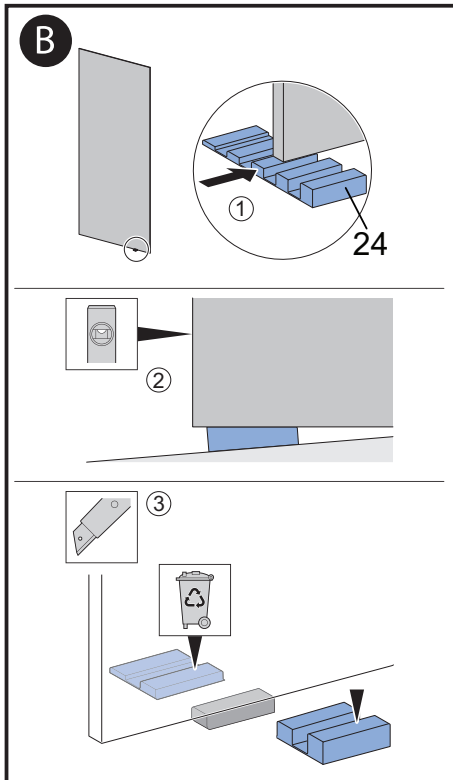
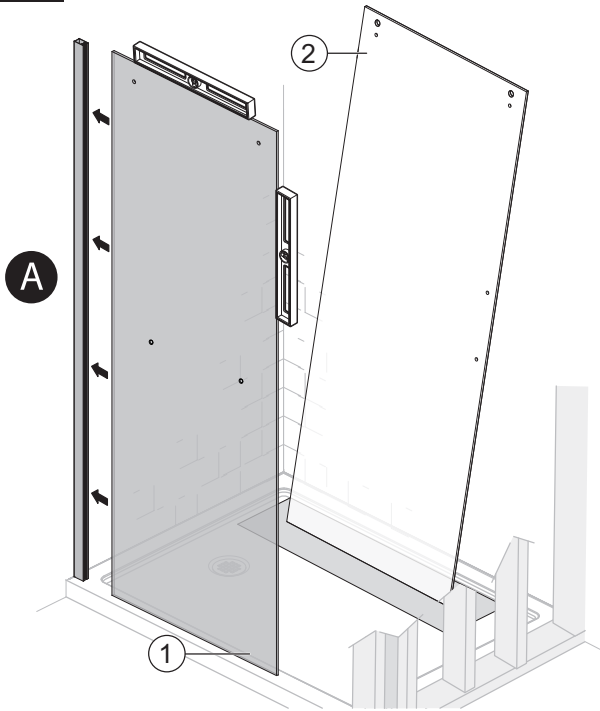


2

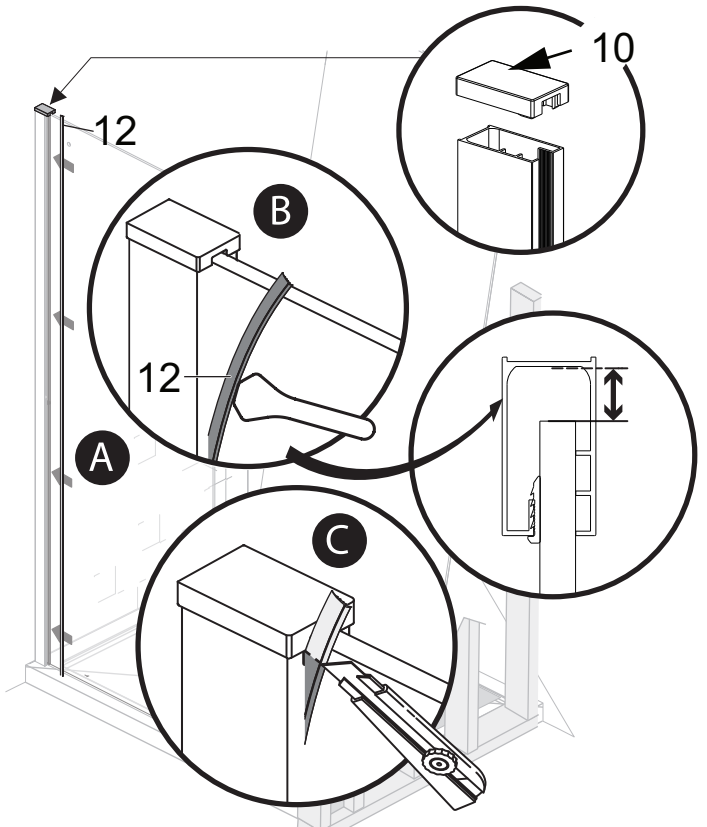


Installation Step

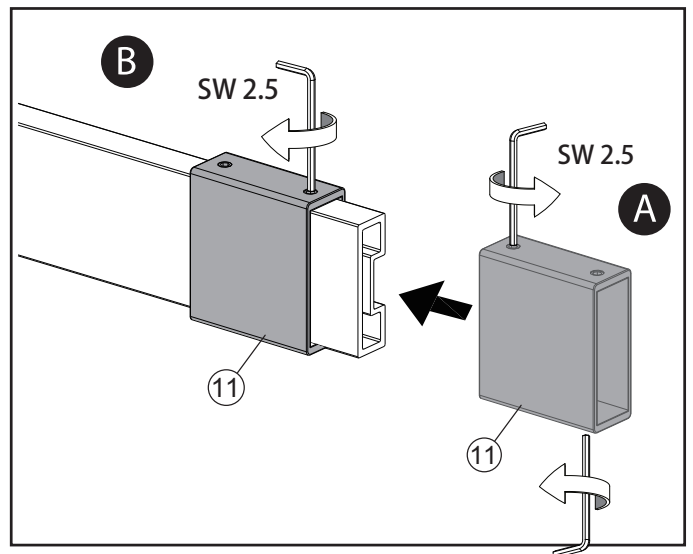
3



4

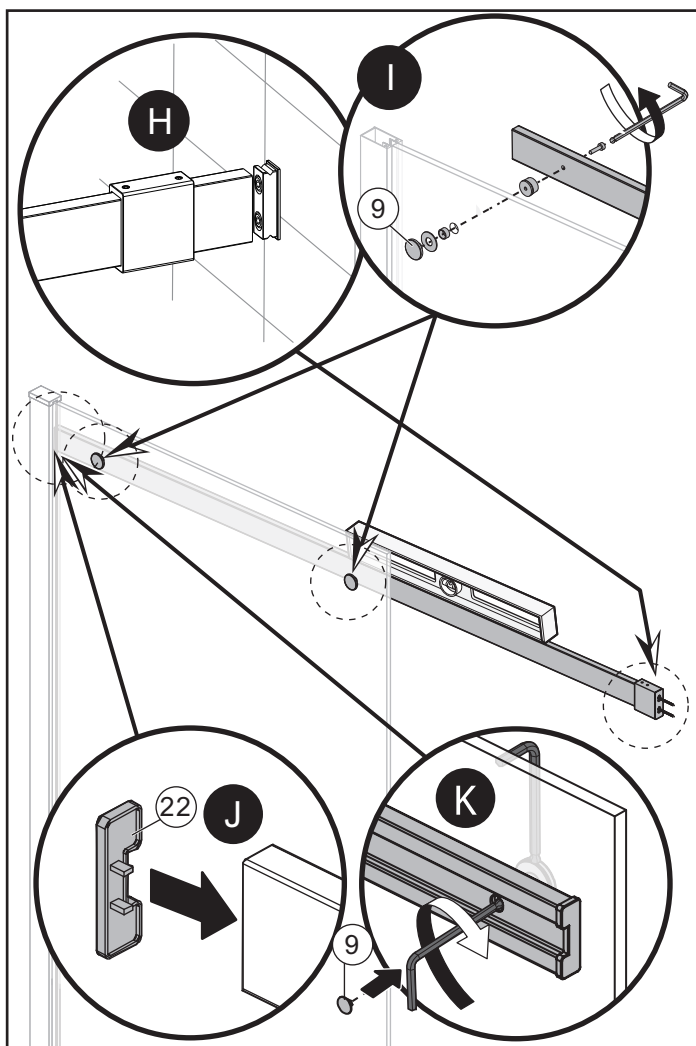
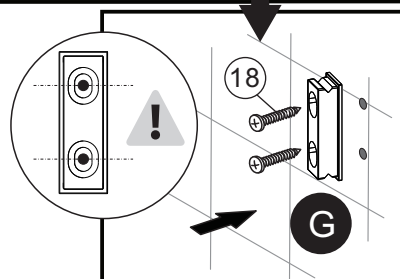
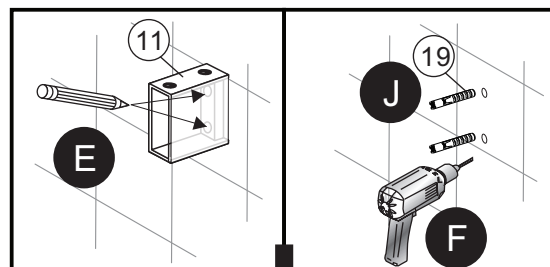
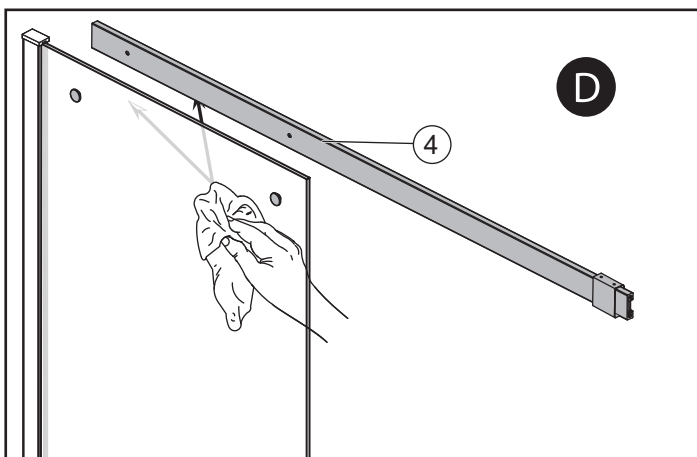
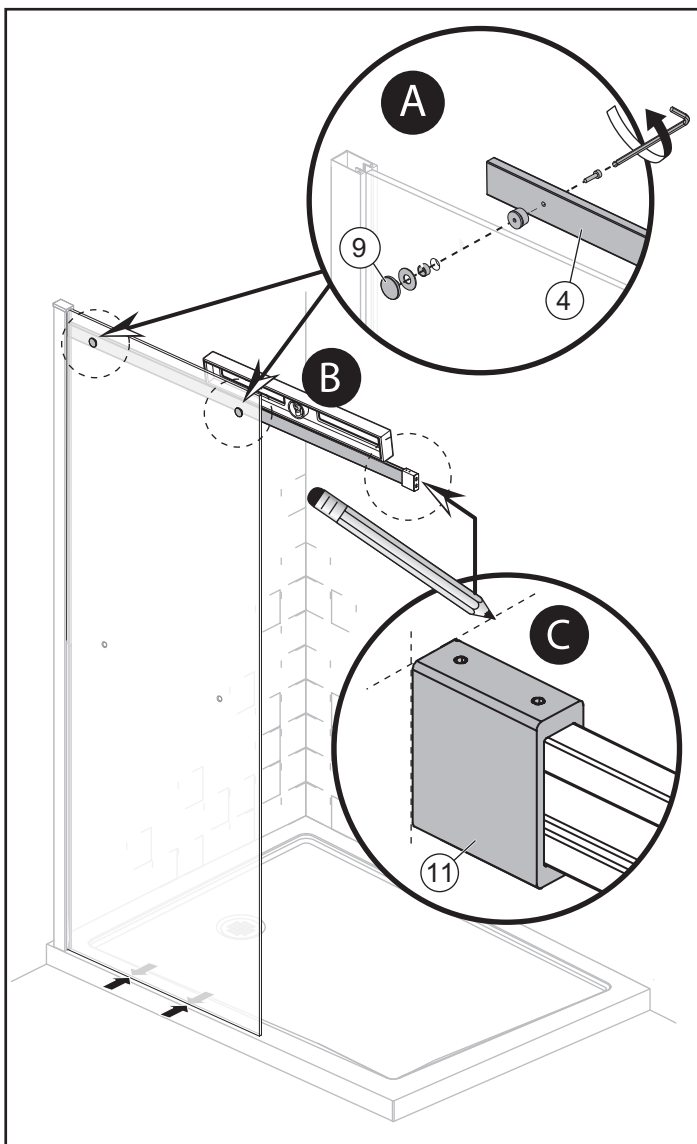


5



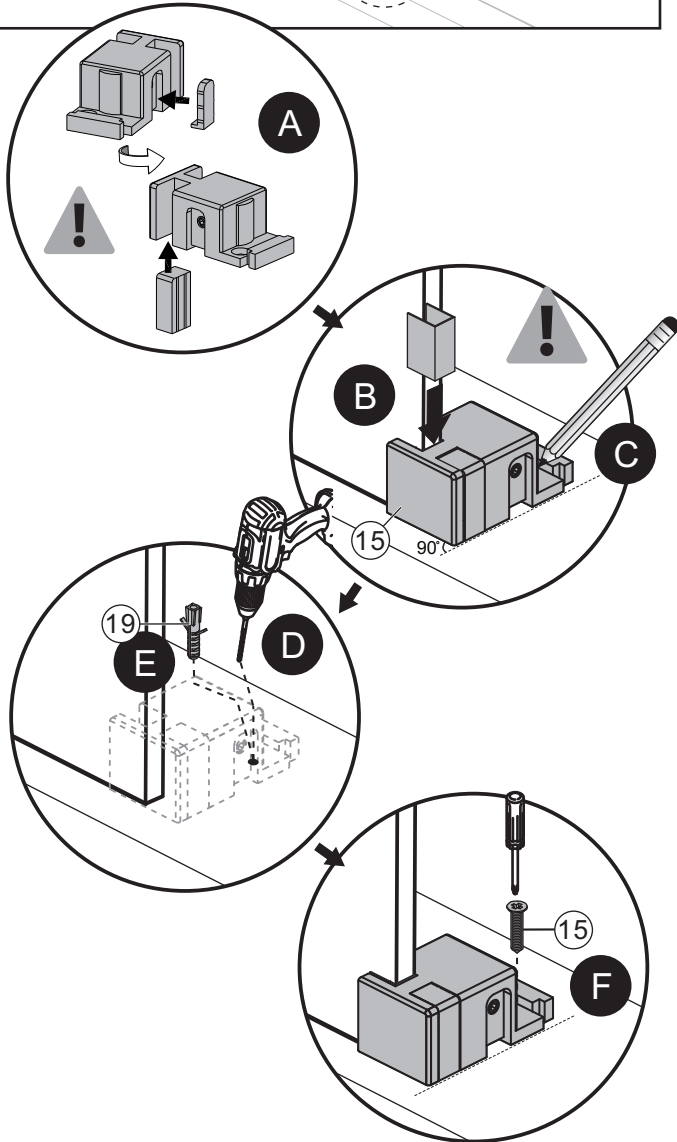
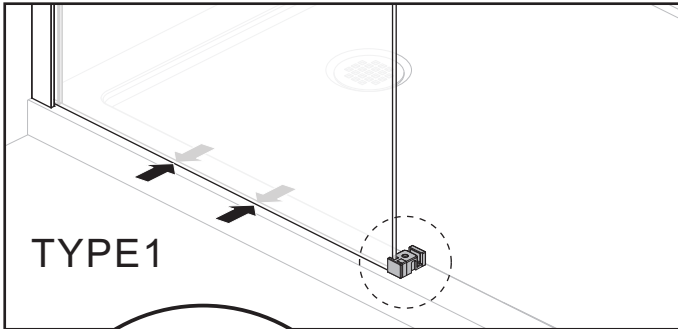
Installation Step

6

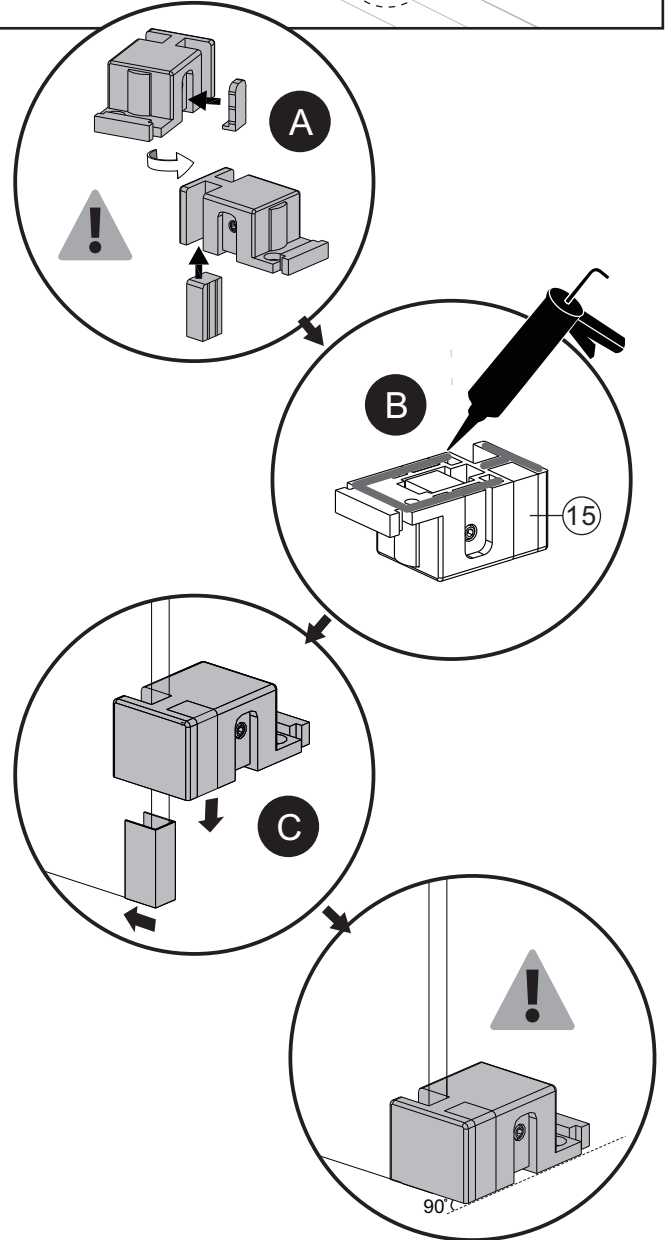
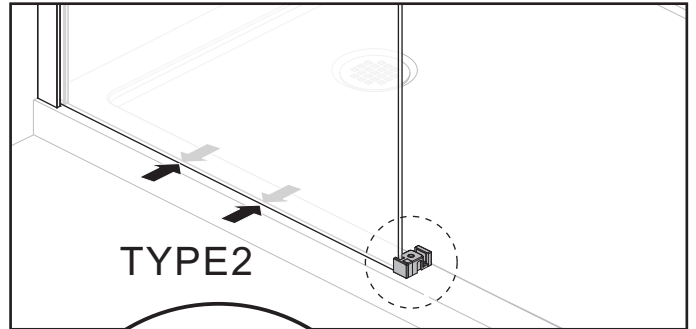


Installation Step

7

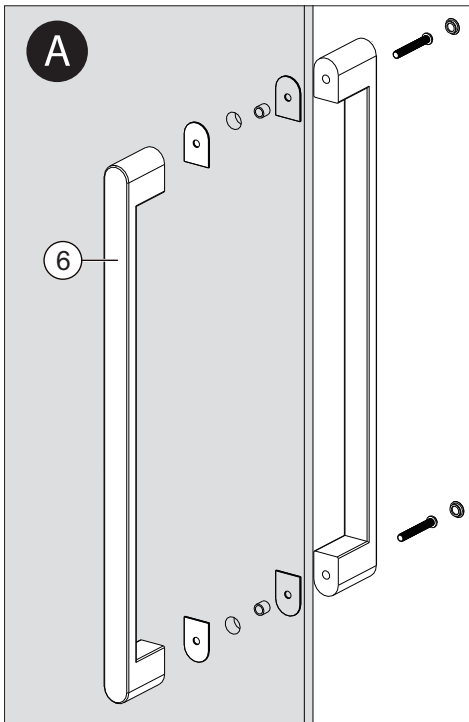
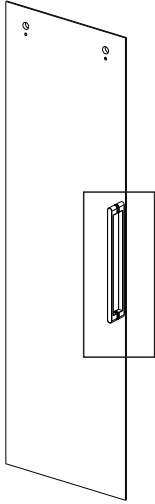


8

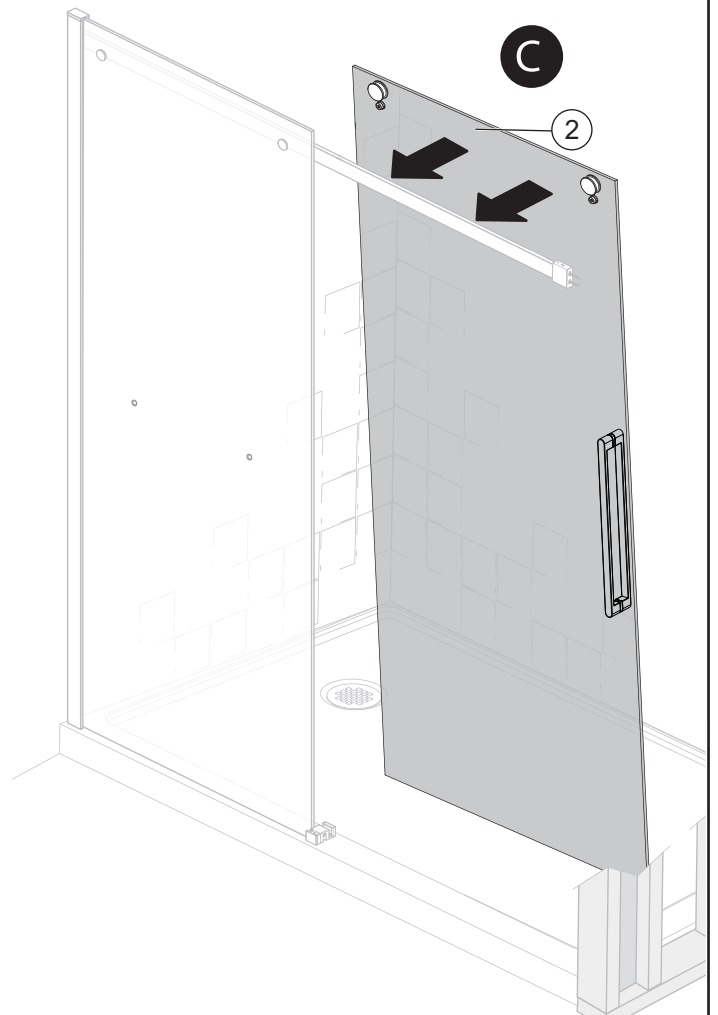
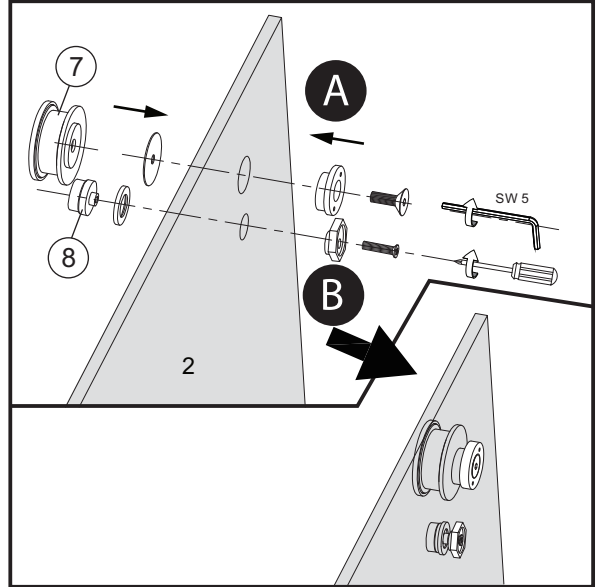


Installation Step

9

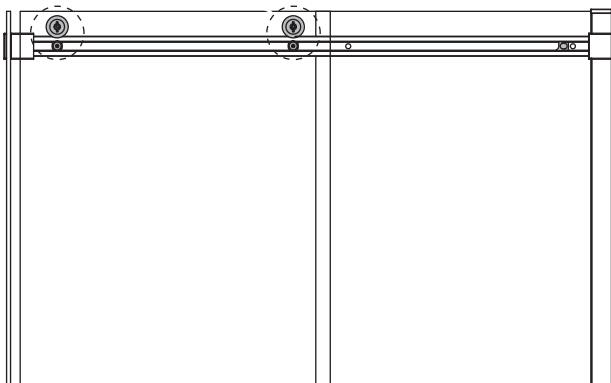
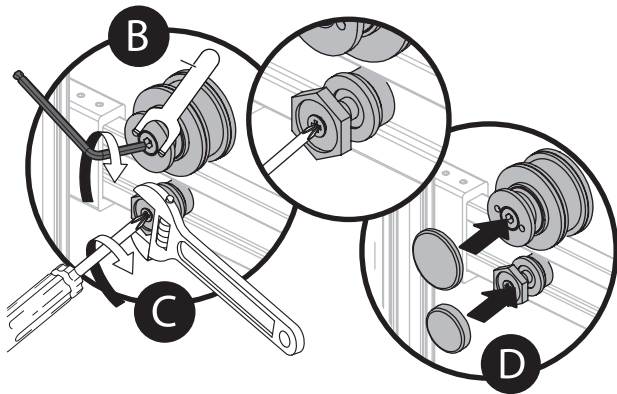
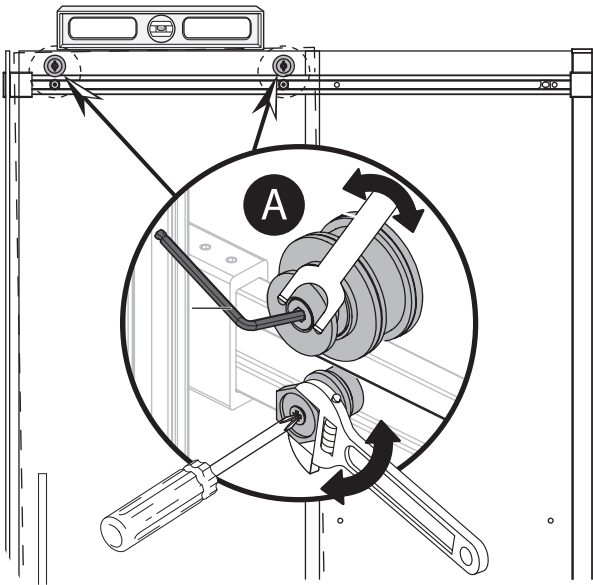


10

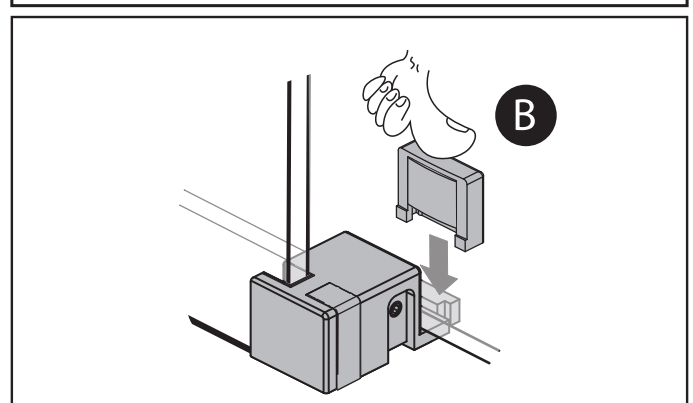
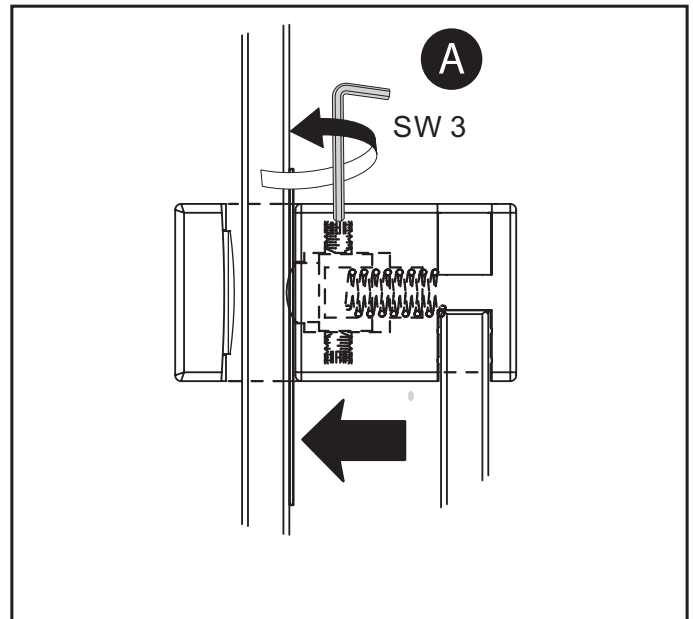
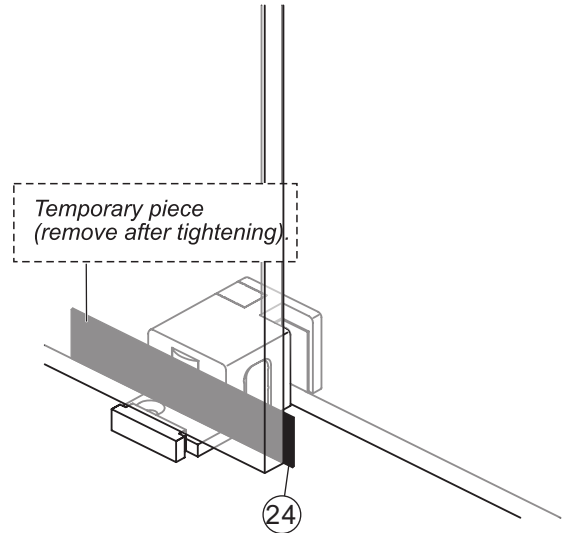


Installation Step

11

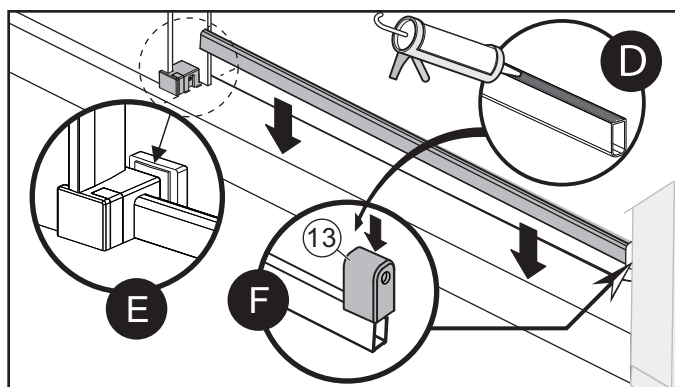
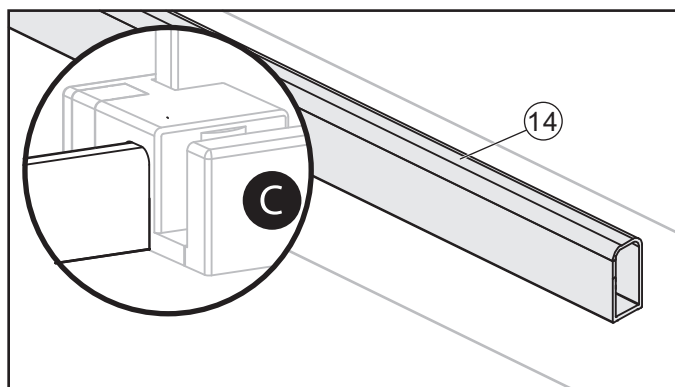
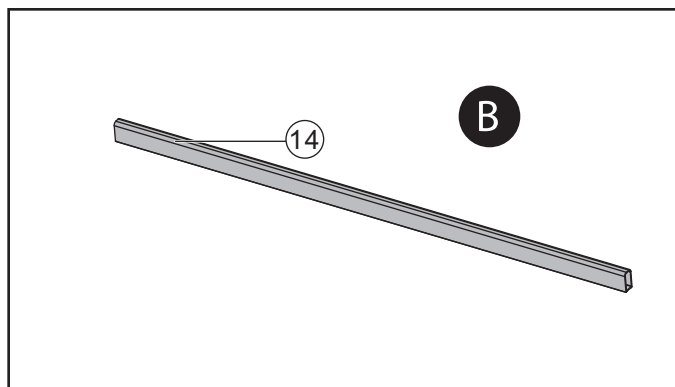
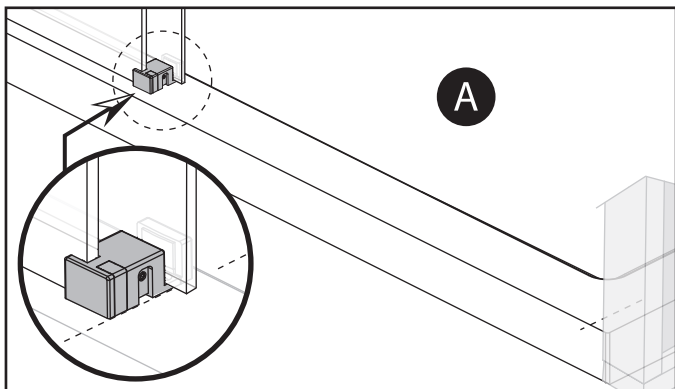


12

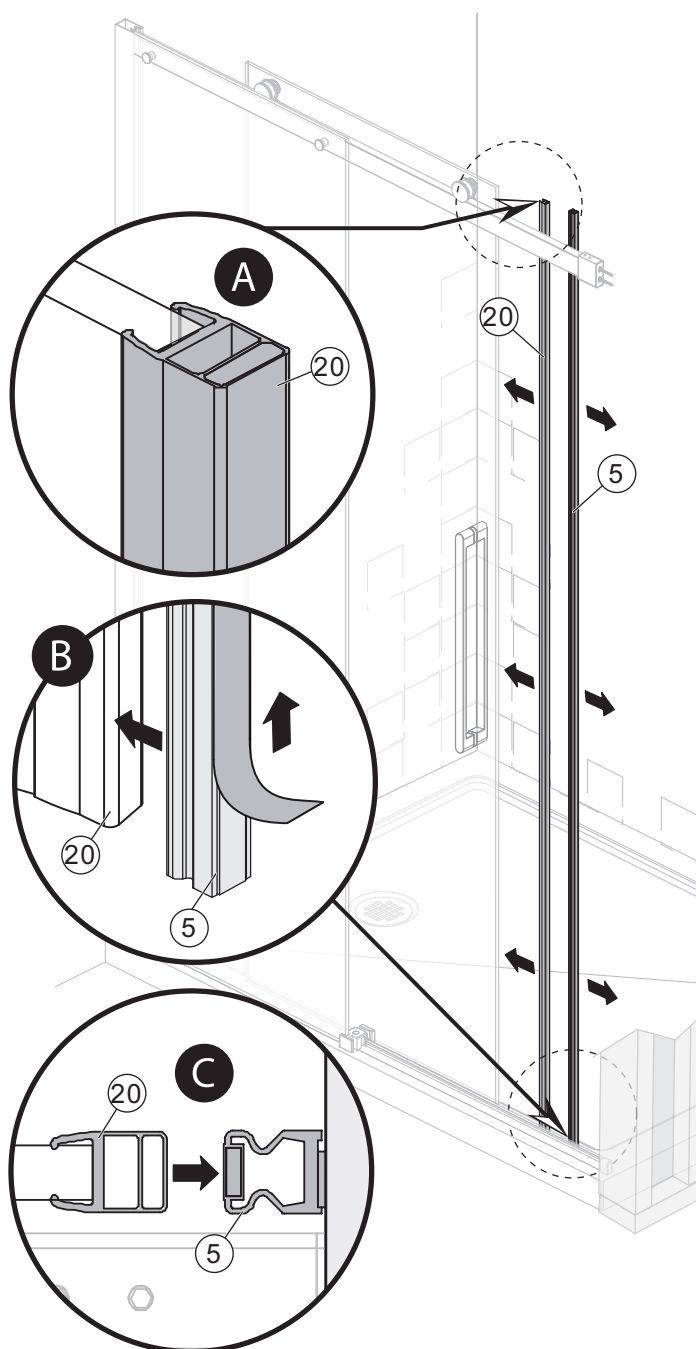


Installation Step

13

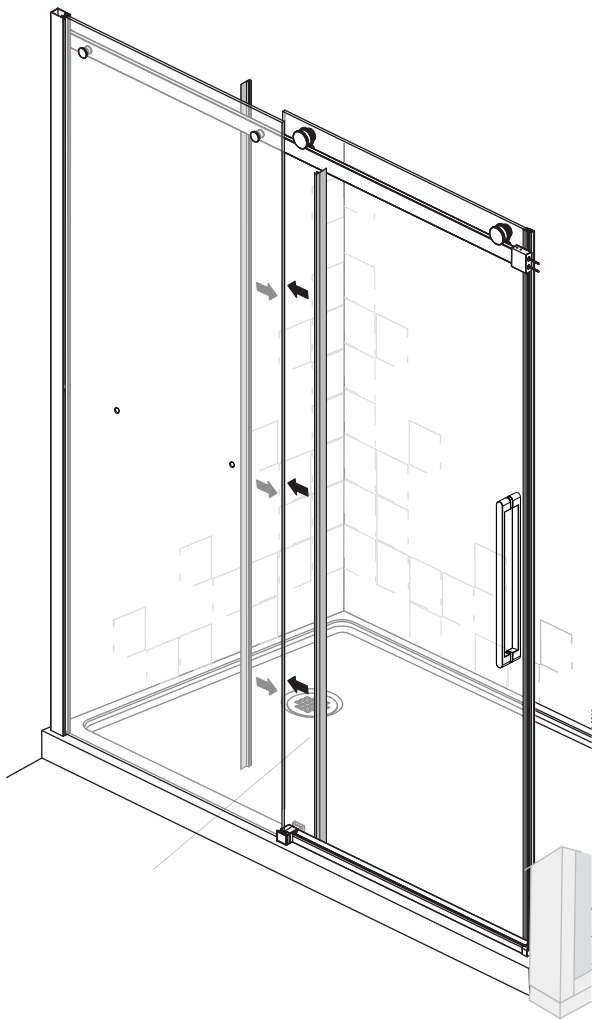


14

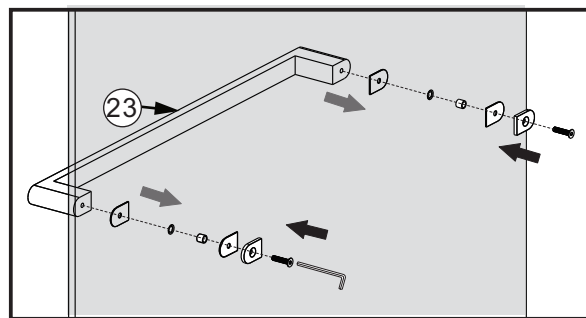
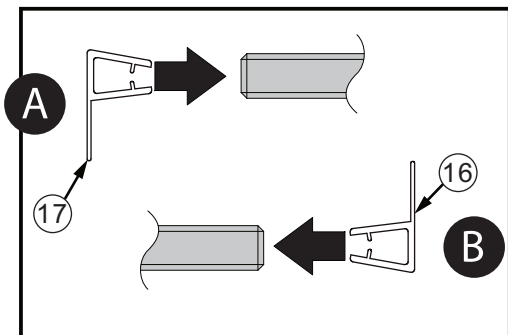
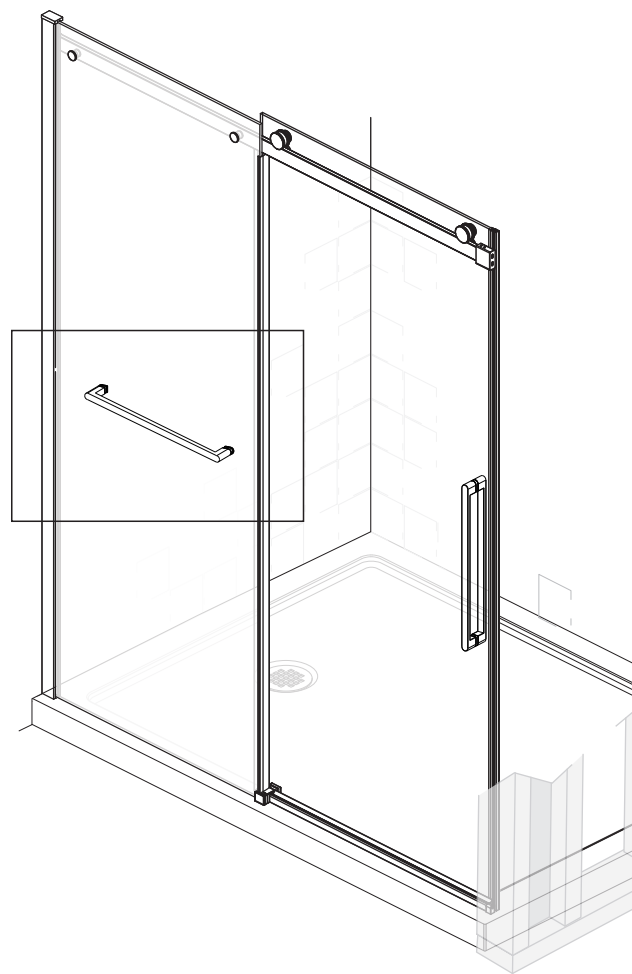


Installation Step

15



16



Installation Step

17

