

ASSEMBLY INSTRUCTION

Thank you for purchasing this quality product. Be sure to check all packing material carefully for small parts which may have come loose inside the carton during shipment. Separate, identify and count all parts and hardware. Compare with the parts list to be sure all parts are present.

IMPORTANT : PLEASE READ INSTRUCTION BEFORE STARTING THE ASSEMBLY.

"DO NOT TIGHTEN SCREWS UNTIL COMPLETELY ASSEMBLED"

"DO NOT OVERTIGHT ANY HARDWARE"

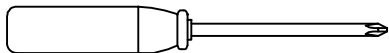
WARNING : SMALL PARTS AND HARDWARE NOT FOR CHILDREN UNDER 3 YEARS. ADULT ASSEMBLY REQUIRED.

TABLE OF CONTENTS

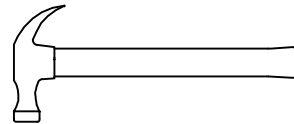
HARDWARES LIST	PAGE 2
PARTS LIST	PAGE 3 - 4
IMPORTANT NOTICE	PAGE 5
PARTS' LOCATION	PAGE 6
ASSEMBLY STEPS & COMPLETED	PAGE 7 - 14
ASSEMBLY SEPARATE	PAGE 15-19

ASSEMBLY TOOLS REQUIRED

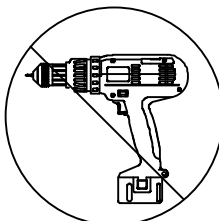
1. Screwdriver (not provide)



2. Hammer (not provide)

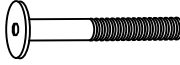
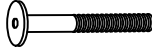



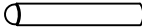
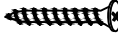
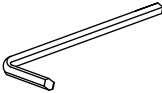


Skip the power drill this time.



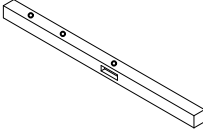
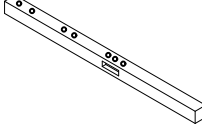
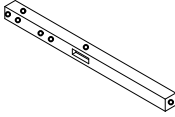
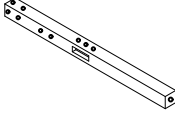
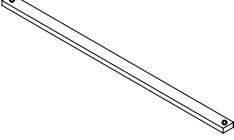
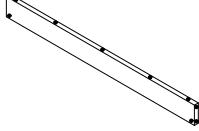
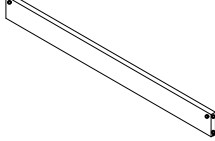
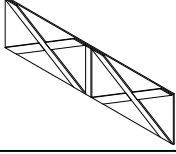
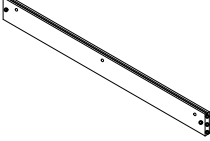
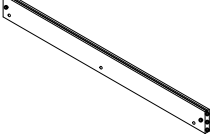
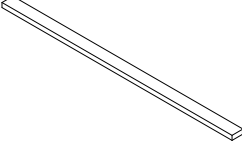
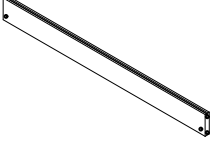
ASSEMBLY INSTRUCTION

HARDWARES LIST

ITEM	DESCRIPTION	DRAWING	QTY
A	JCBC SCREW M6 x 90MM (BLACK)		42 PCS
B	JCBC SCREW M6 x 50MM (BLACK)		34 PCS
C	JCBC SCREW M6 x 30MM (BLACK)		18 PCS
D	BARREL NUT M6 x 13MM (IRON)		48 PCS
E	WOOD DOWEL M10 x 40MM		42 PCS
F	METAL DOWER 10 X 100MM		4 PCS
G	CSK SCREW M4 x 25MM		16 PCS
H	M4 ALLEN KEY		1 PC

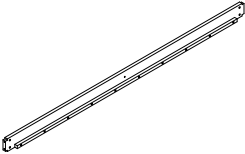
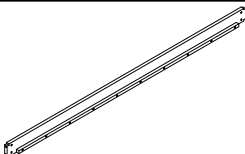
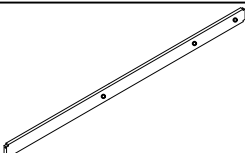
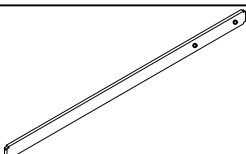
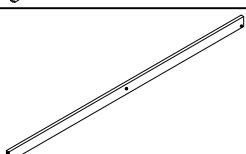
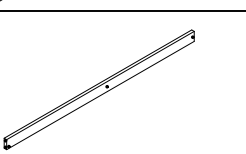

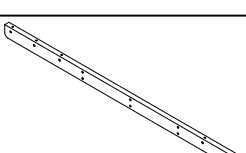
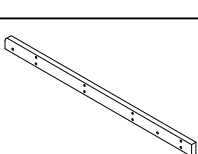
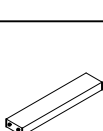
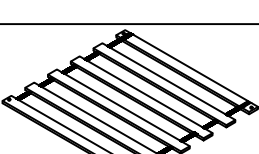
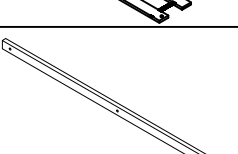
ASSEMBLY INSTRUCTION

PARTS LIST

ITEM	DESCRIPTION	DRAWING	QTY
1	LOWER POST		2 PCS
2	LOWER POST (1)		2 PCS
3	UPPER POST		2 PCS
4	UPPER POST (1)		2 PCS
5	PANEL TOP RAIL (LOWER BED)		2 PCS
6	LOWER PANEL SUPPORT		2 PCS
7	LOWER PANEL SUPPORT (1)		2 PCS
8	PANEL		4 PCS
9	PANEL SUPPORT		2 PCS
10	PANEL SUPPORT (1)		2 PCS
11	PANEL TOP RAIL (UPPER BED)		2 PCS
12	UPPER PANEL SUPPORT		2 PCS

ASSEMBLY INSTRUCTION

PARTS LIST

ITEM	DESCRIPTION	DRAWING	QTY
13	UPPER BACK RAIL		1 PC
14	LOWER BACK RAIL		1 PC
15	UPPER FRONT RAIL		1 PC
16	LOWER FRONT RAIL		1 PC
17	LONG GUARDRAIL		2 PCS
18	SHORT GUARDRAIL		2 PCS
19	GUARDRAIL SUPPORT		2 PCS
20	LADDER SIDE (LONG)		1 PC
21	LADDER SIDE (SHORT)		1 PC
22	LADDER STEP		4 PCS
23	SLAT		4 SET
24	WOODEN SUPPORT		4 PCS

ASSEMBLY INSTRUCTION

IMPORTANT NOTICE

- Use only Mattresses - 74" - 75" long and 37 1/2" - 38 1/2" wide on the upper bunk.
- Use only Mattresses - 74" - 75" long and 38" - 38 1/2" wide on the lower bunk.
- Ensure thickness of mattresses does not exceed 7" and mattresses is at least 5" below upper edge of guardrails.
- Check that you have all parts and hardware before assembly. Parts apparently missing are often found in the packing materials.
- Replacement parts, including additional guardrails, may be obtained from any of retailers purchased from.

SAFETY WARNING

- Follow the information on the warnings appearing on the upper bunk end structure and on the carton. Do not remove warning label from bed.
- Always use the recommended size mattresses or mattress support, or both, to help prevent the likelihood of entrapment or falls.
- Surface of mattress must be at least 5 in. (127 mm) below the upper edge of guardrails.
- Do not allow children under 6 years of age to use the upper bunk.
- Periodically check and ensure that the guardrail, ladder, and other components are in their proper position, free from damage, and that all connectors are tight.
- Do not allow horseplay on or under the bed and prohibit jumping on the bed.
- Always use ladder for entering and leaving upper bunk.
- Do not use substitute parts. Contact the retailer or dealer for replacement parts.
- Use of a night light may provide added safety precaution for a child using the upper bunk.
- Always use guardrails on both long sides of the upper bunk. If the bunk bed will be placed next to the wall, the guardrail that runs the full length of the bed should be placed against the wall to prevent entrapment between the bed and wall.
- The use of water or sleep flotation mattresses is prohibited.

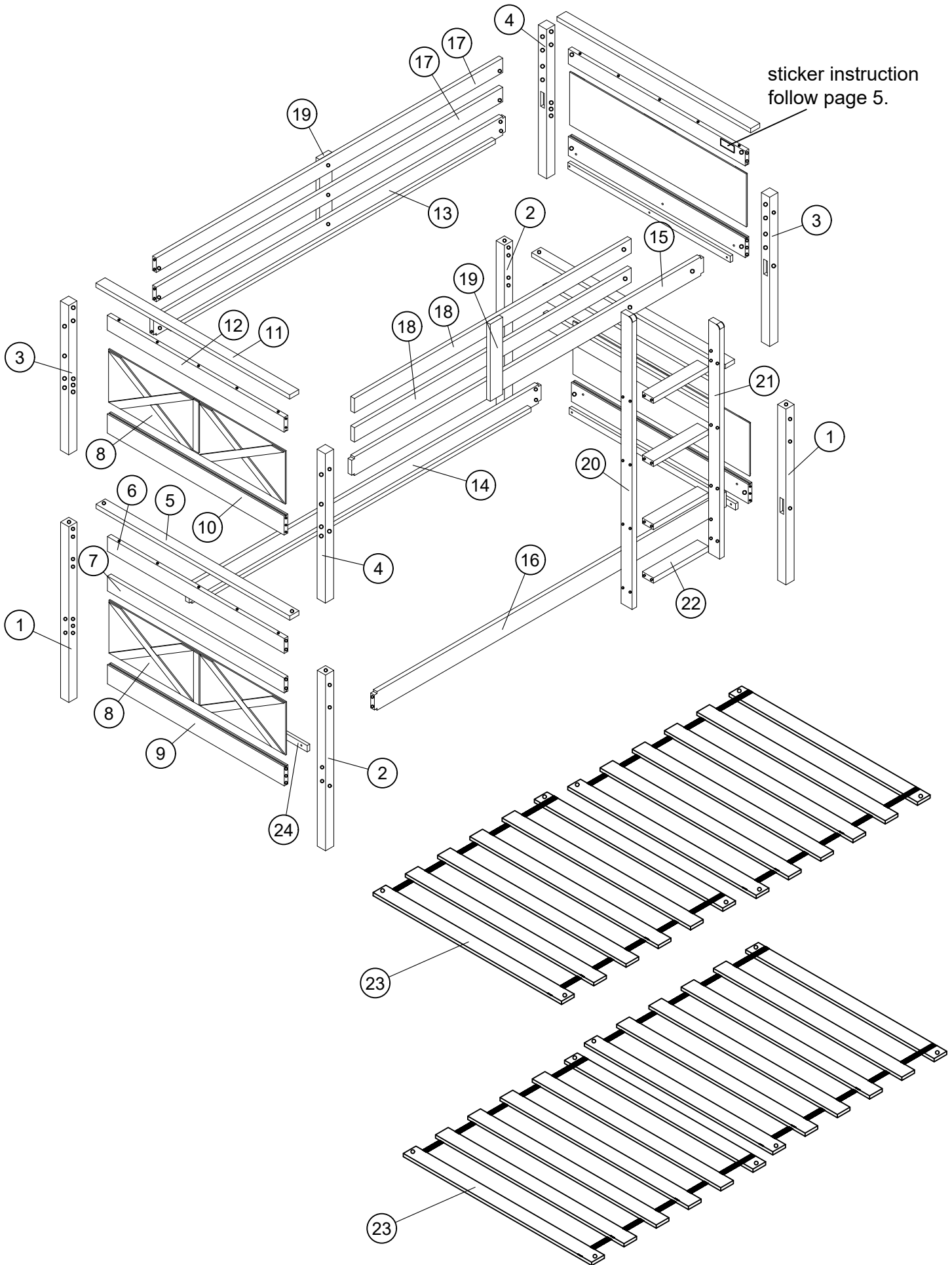
STRANGULATION HAZARD :

- Do not attach or hang items to any part of the bunk bed that are not designed for use with the bed; for example, but not limited to, hooks, belts, and jump ropes.
- Keep these instructions for future reference.

PROHIBIT MORE THAN ONE PERSON ON UPPER BUNK.

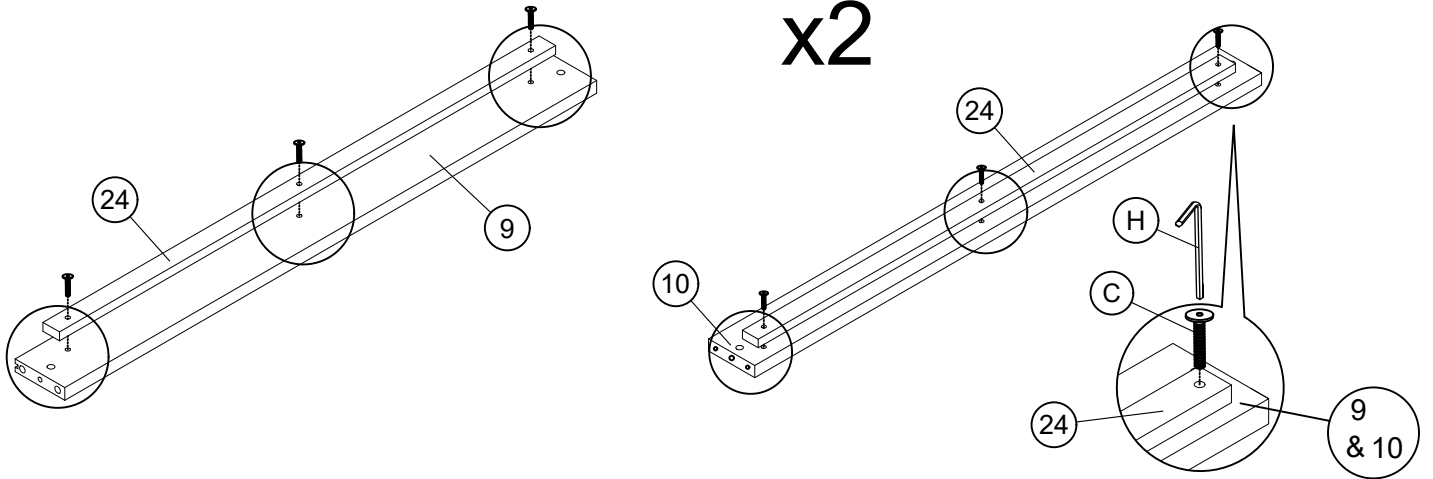
ASSEMBLY INSTRUCTION

PARTS ' LOCATION

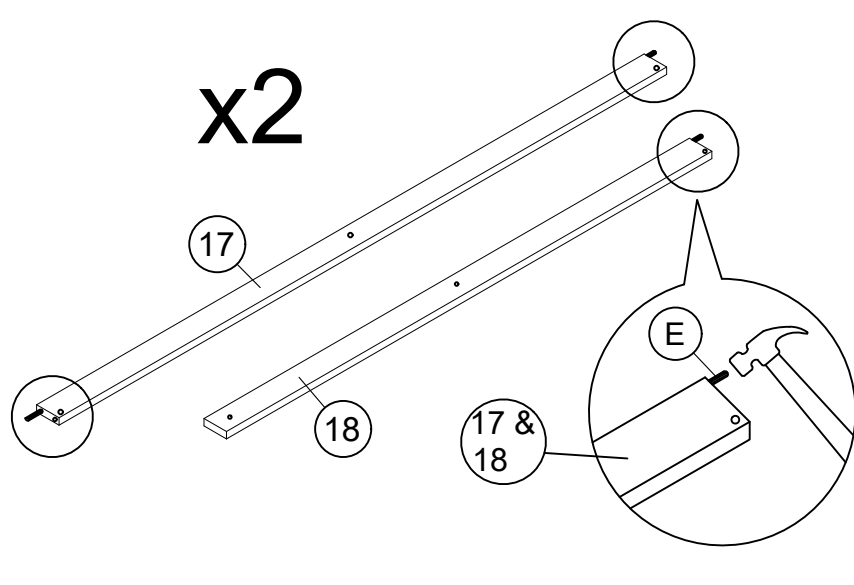
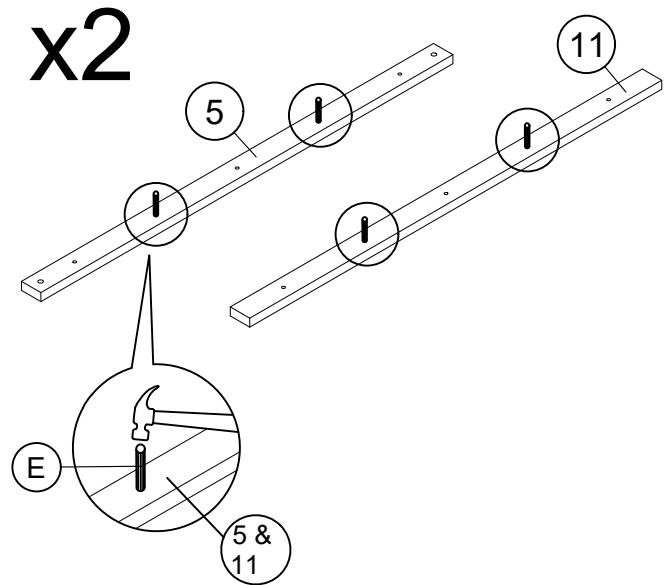
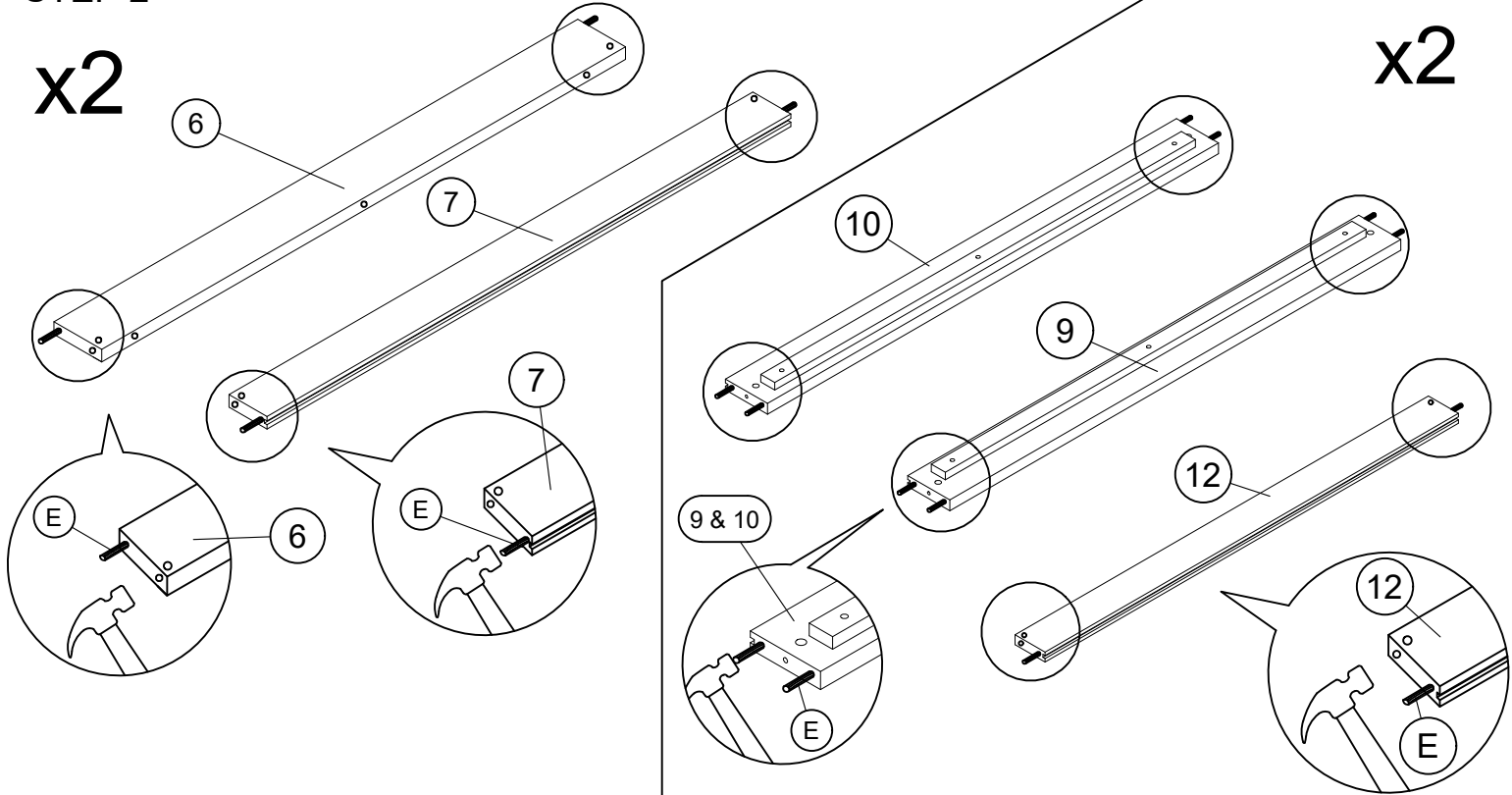


ASSEMBLY INSTRUCTION

STEP 1



STEP 2

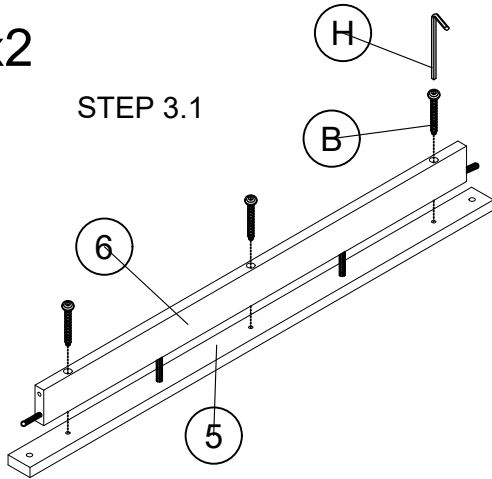


ASSEMBLY INSTRUCTION

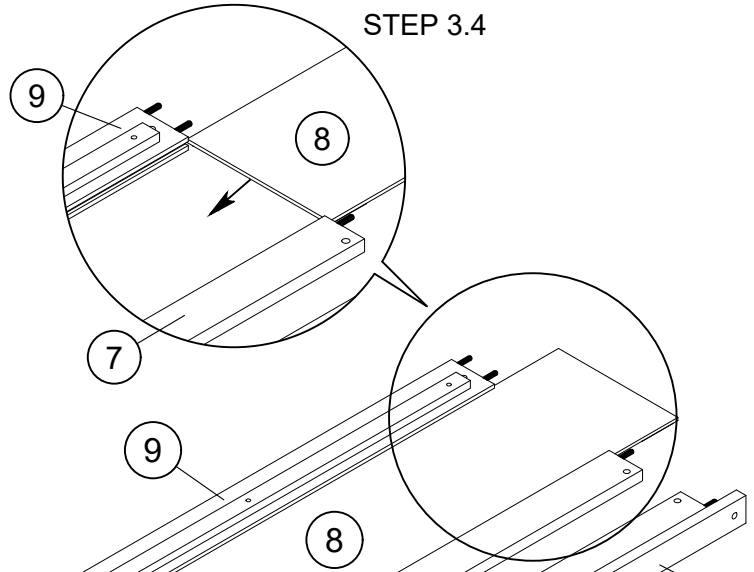
STEP 3

x2

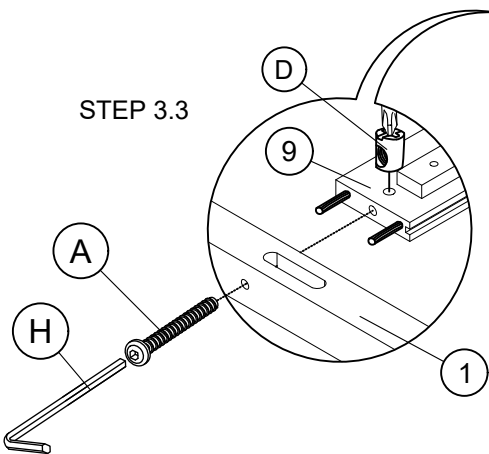
STEP 3.1



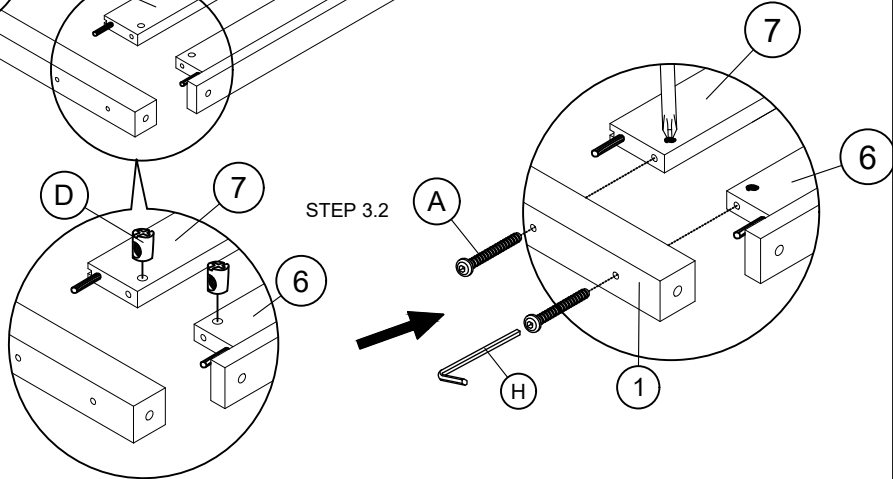
STEP 3.4



STEP 3.3

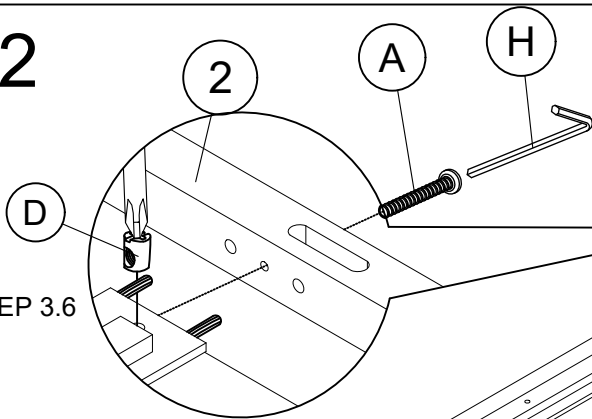


STEP 3.2

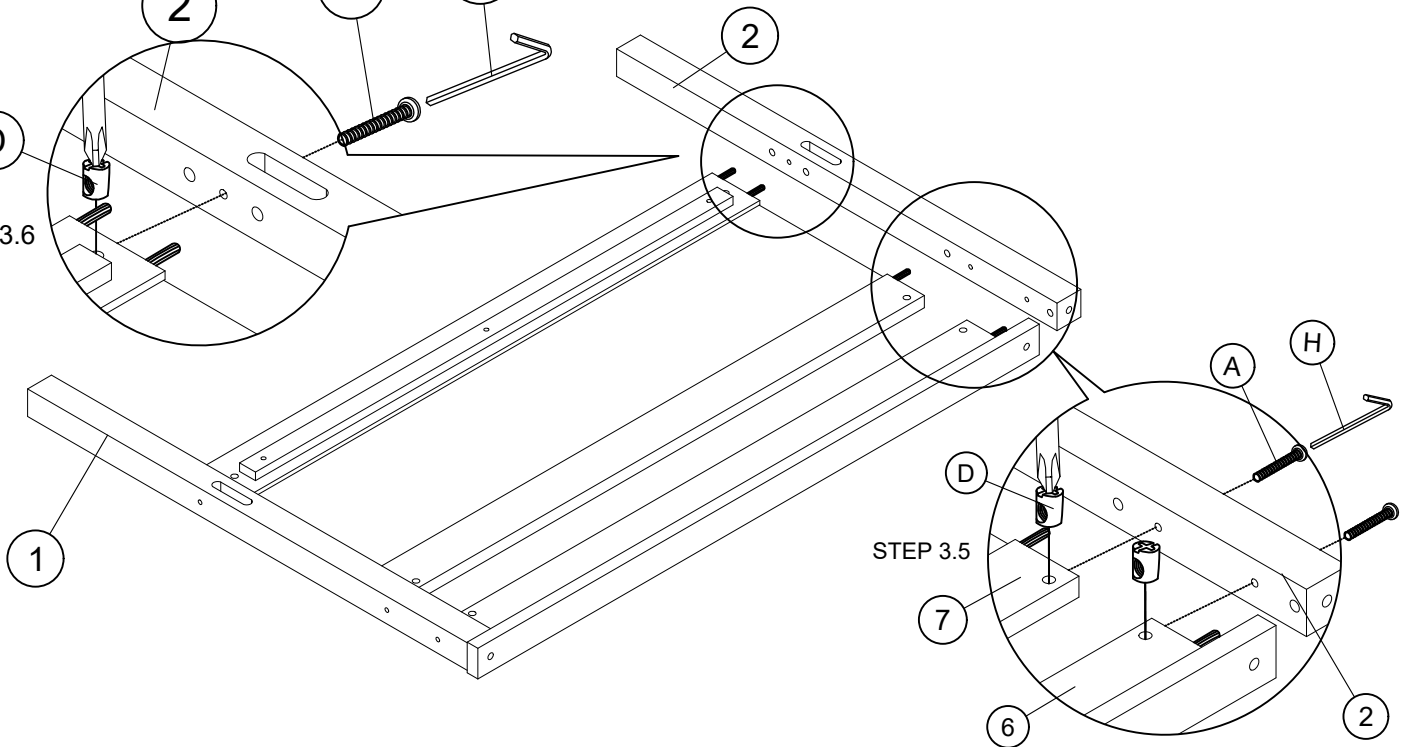


x2

STEP 3.6

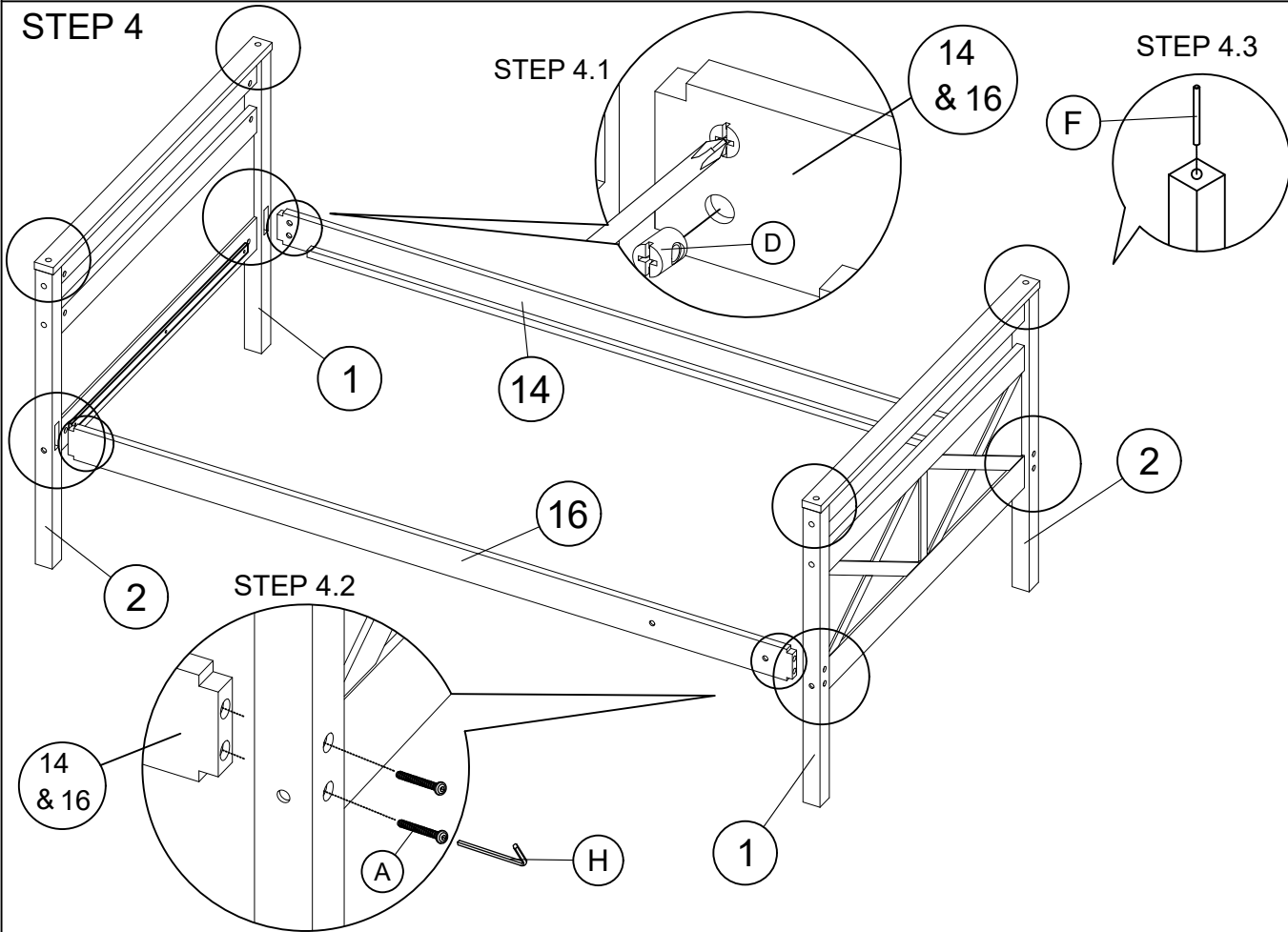


STEP 3.5



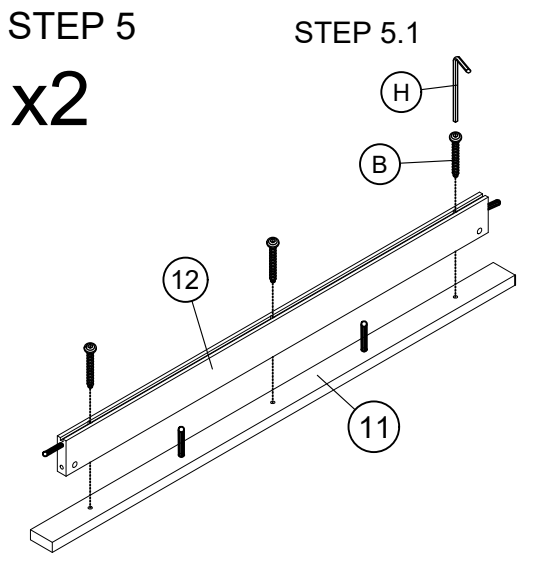
ASSEMBLY INSTRUCTION

STEP 4



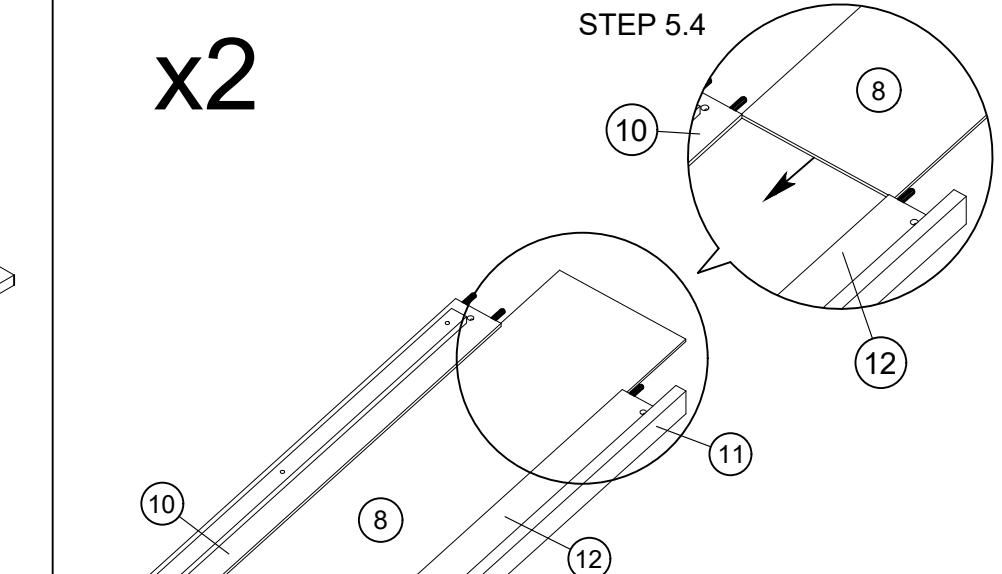
STEP 5

x2

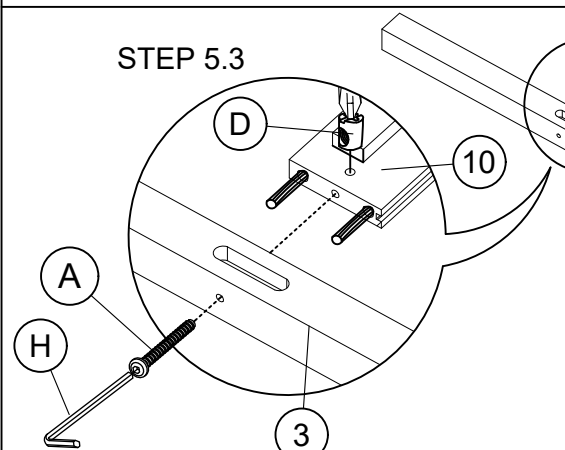


x2

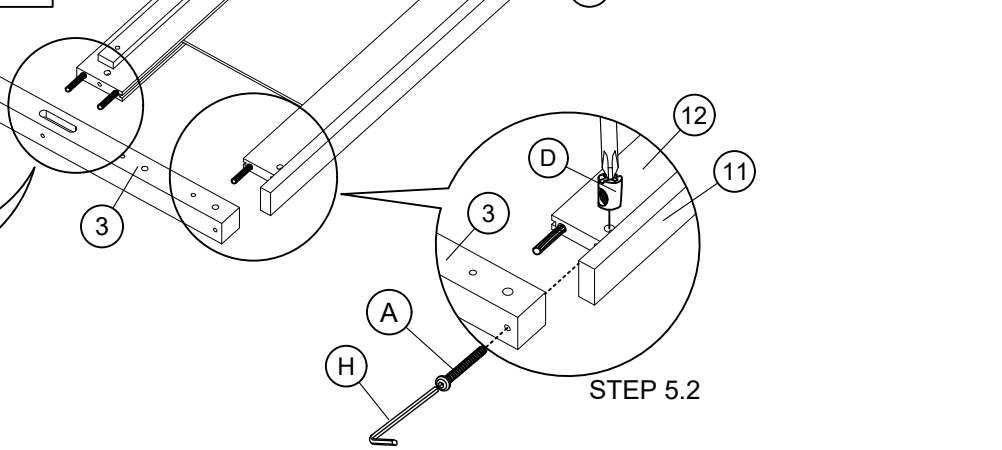
STEP 5.4



STEP 5.3

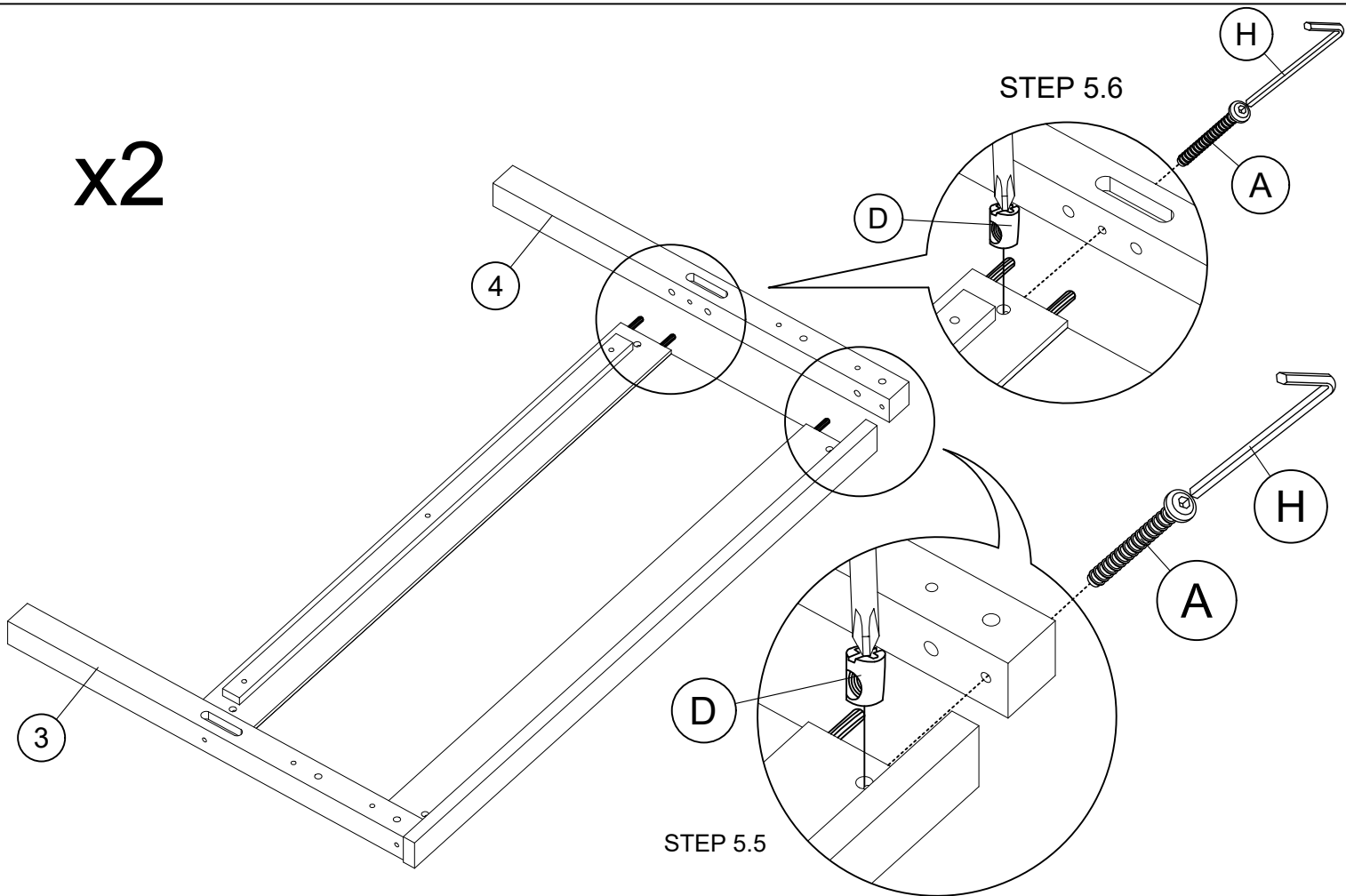


STEP 5.2

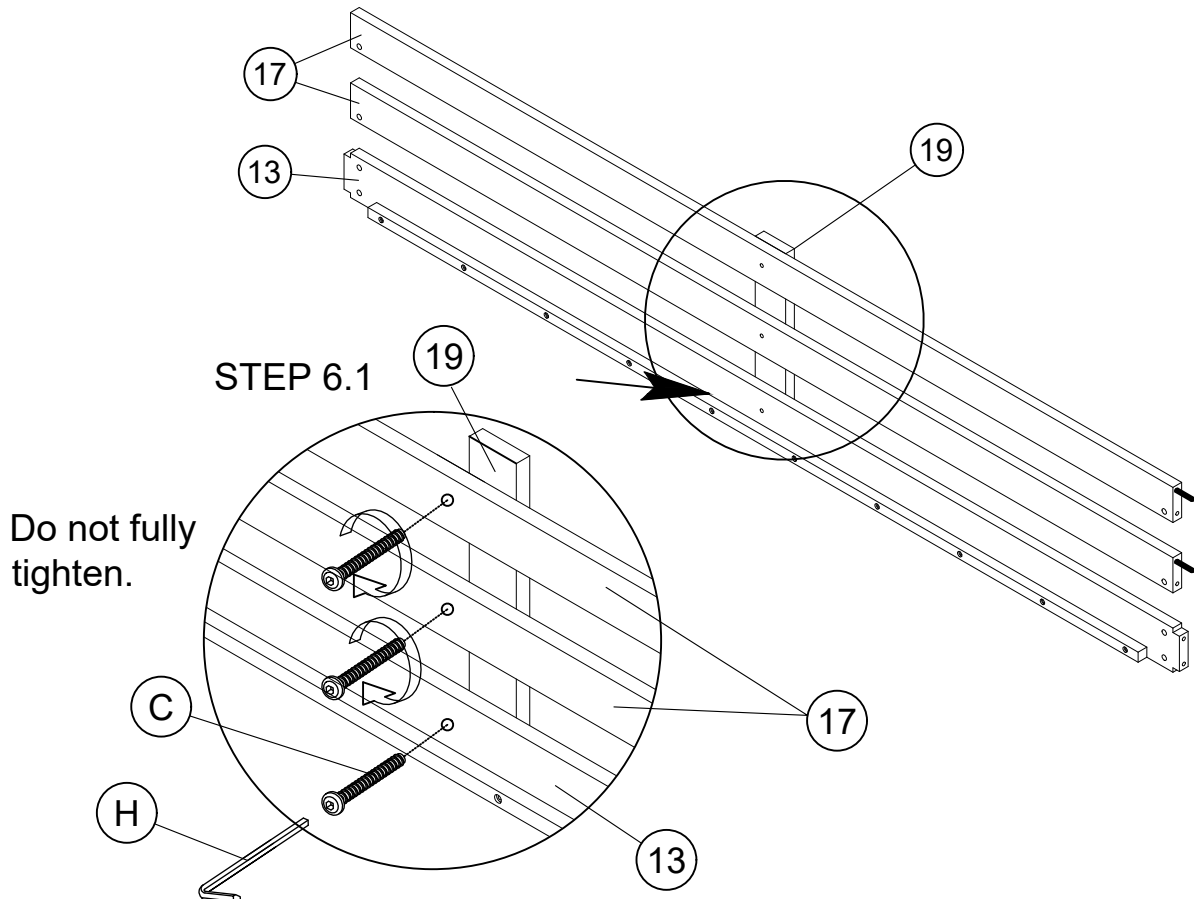


ASSEMBLY INSTRUCTION

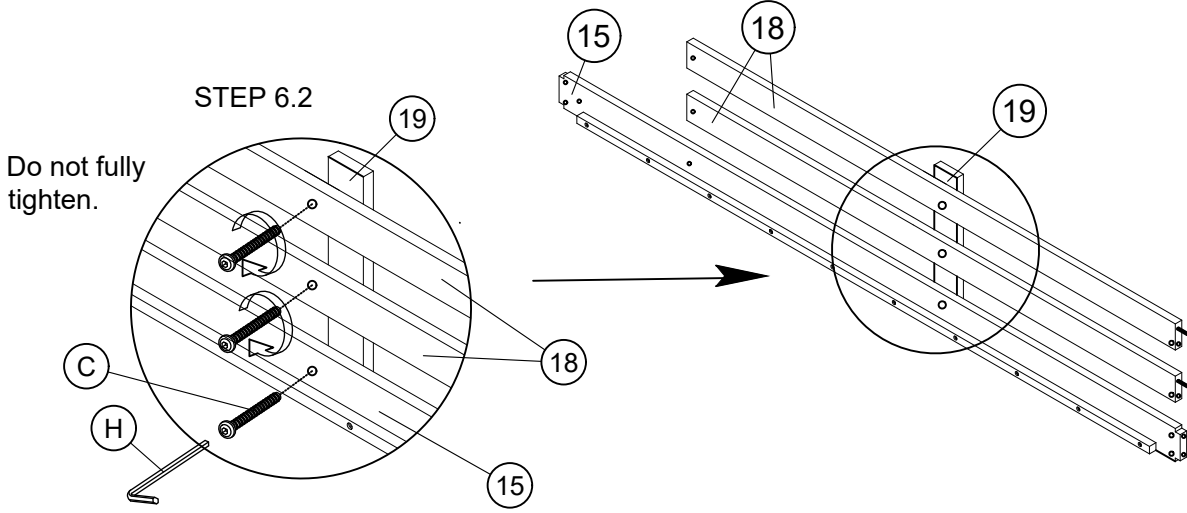
x2



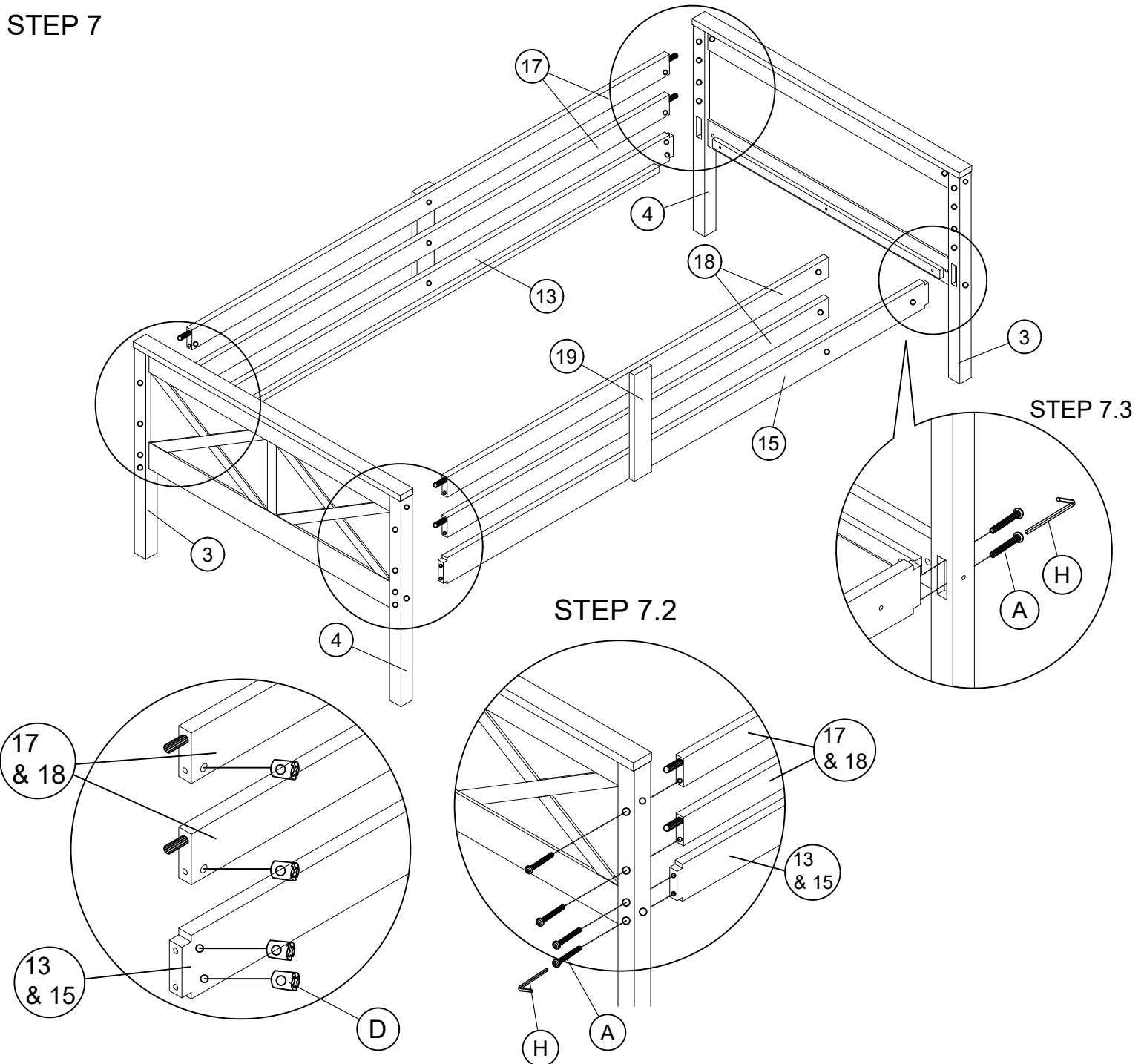
STEP 6



ASSEMBLY INSTRUCTION

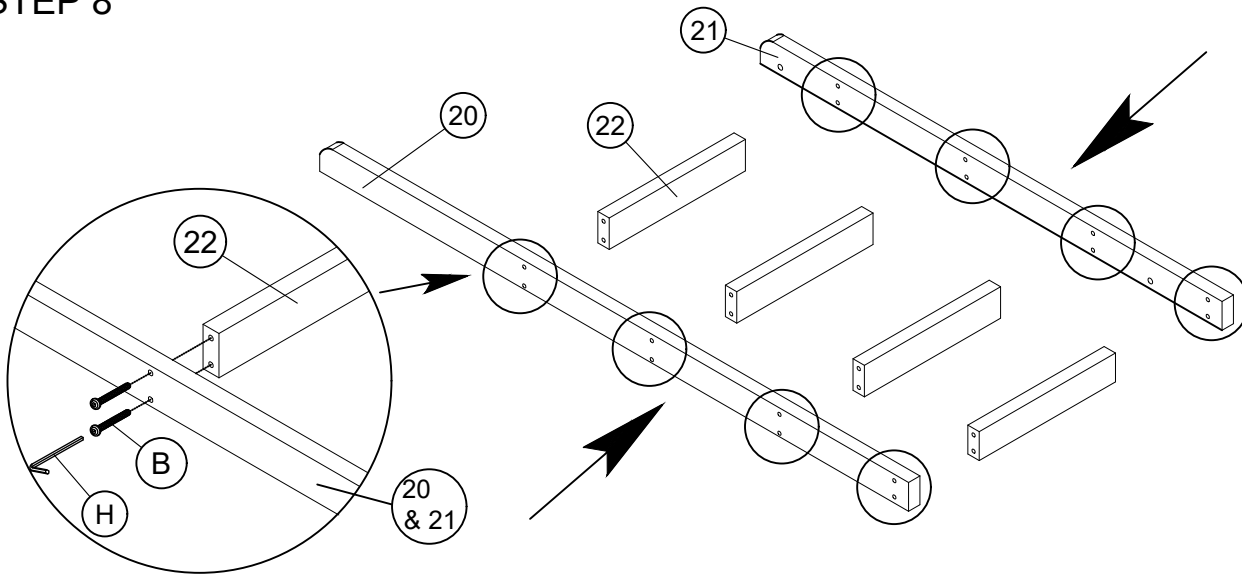


STEP 7

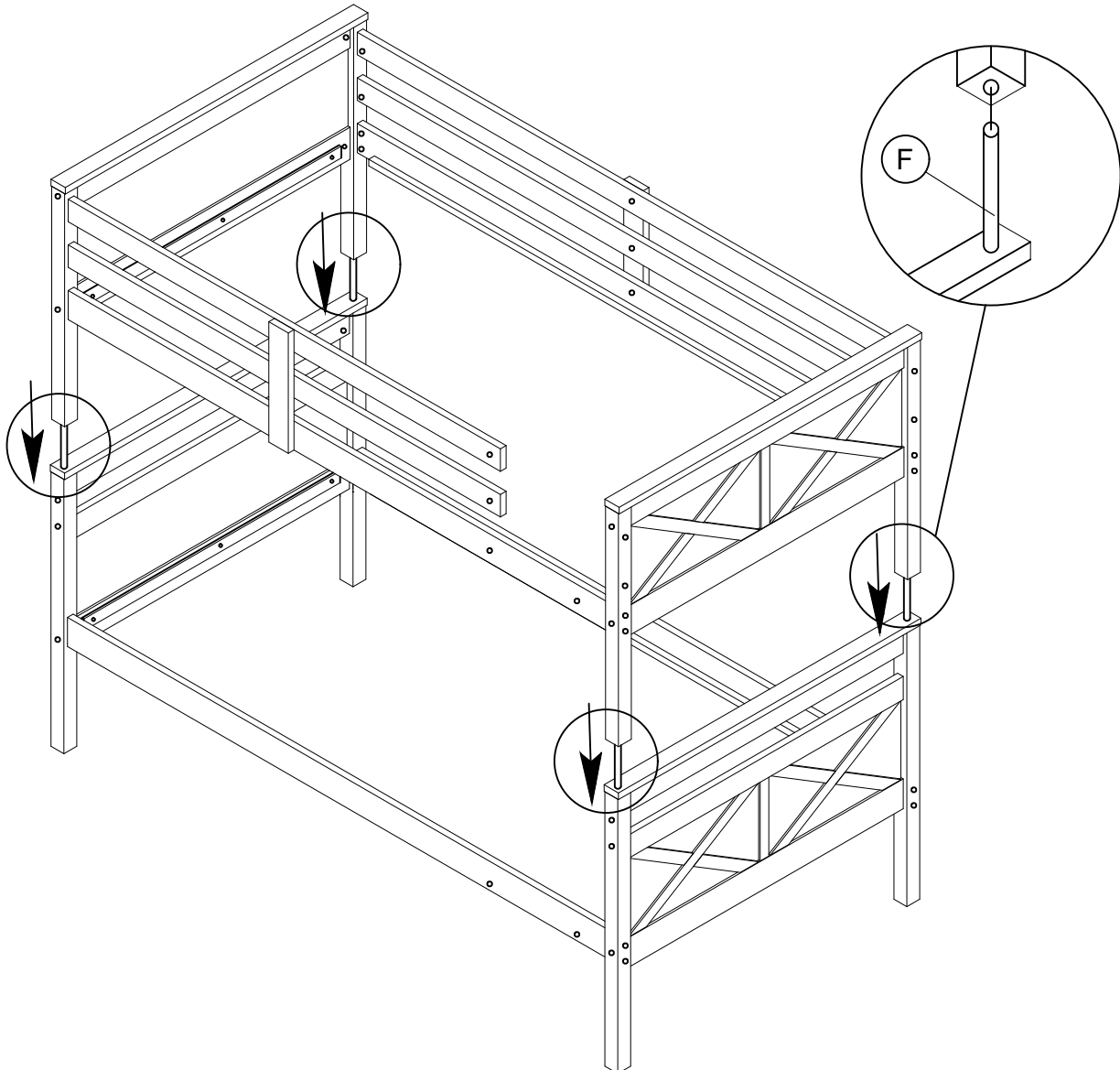


ASSEMBLY INSTRUCTION

STEP 8

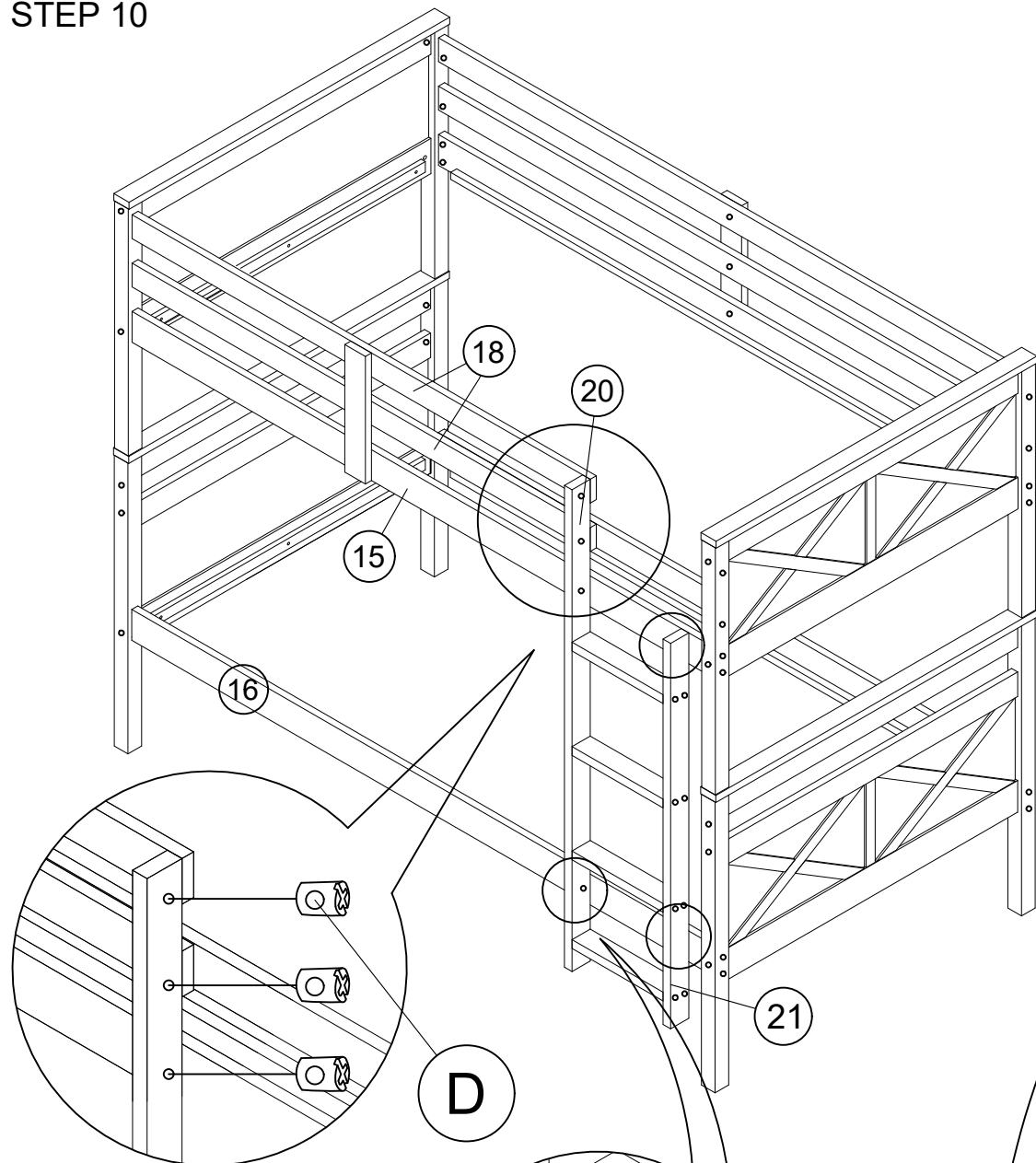


STEP 9

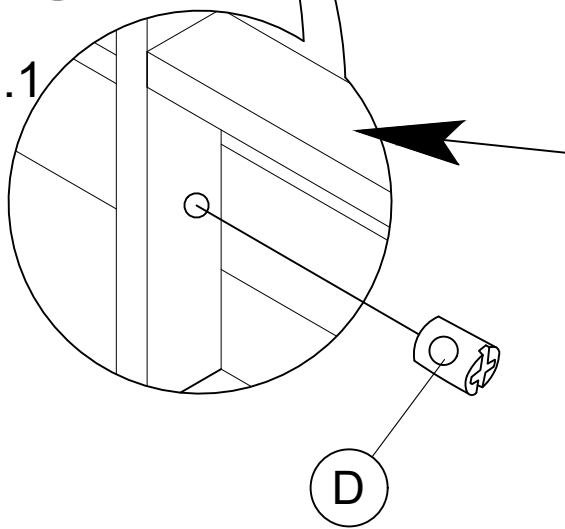


ASSEMBLY INSTRUCTION

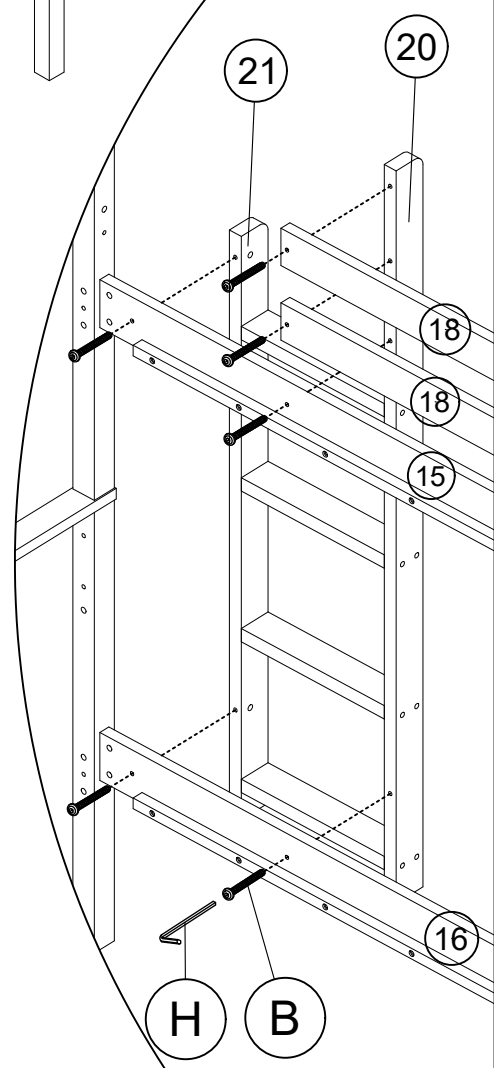
STEP 10



STEP 10.1

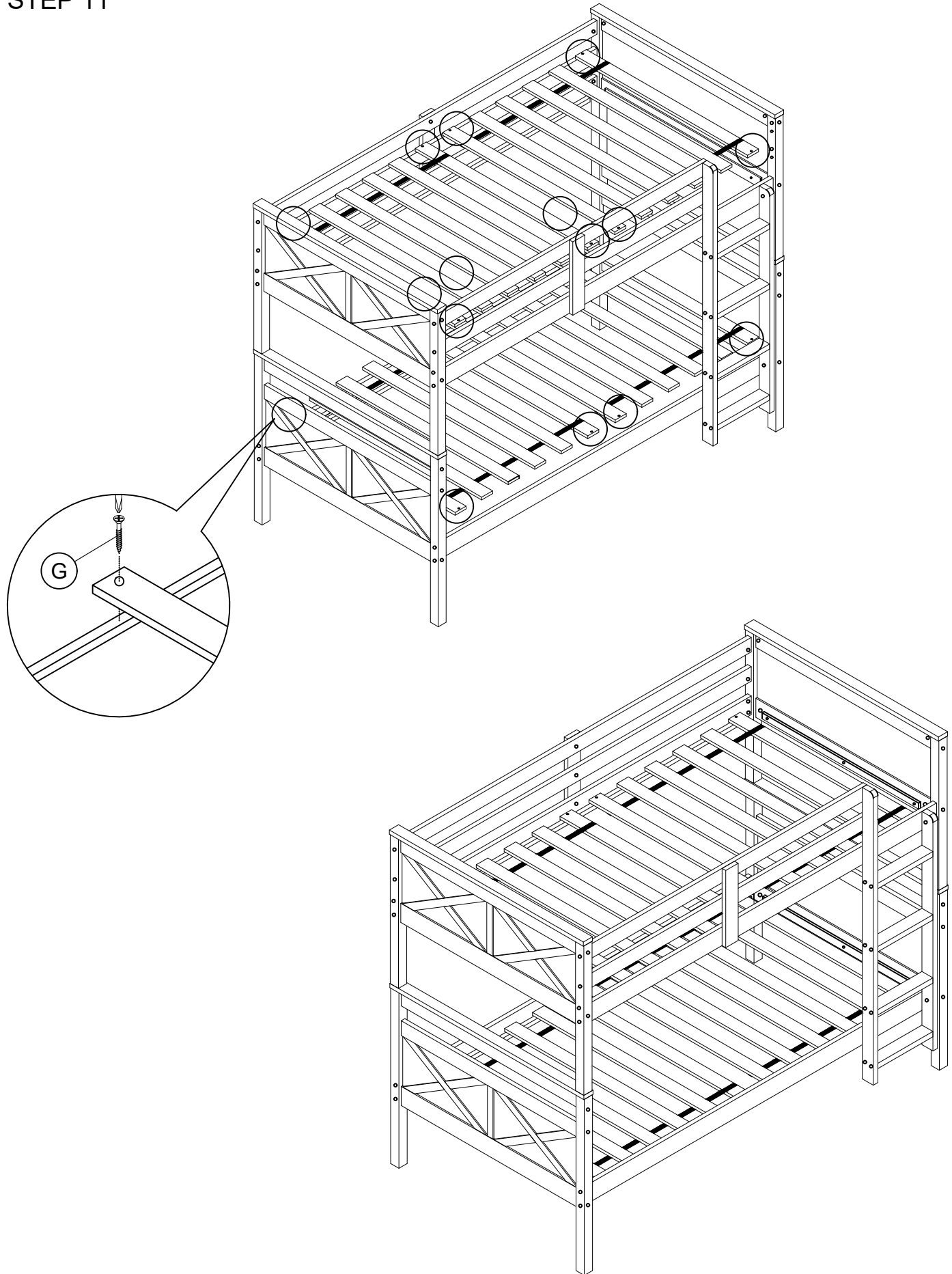


STEP 10.2



ASSEMBLY INSTRUCTION

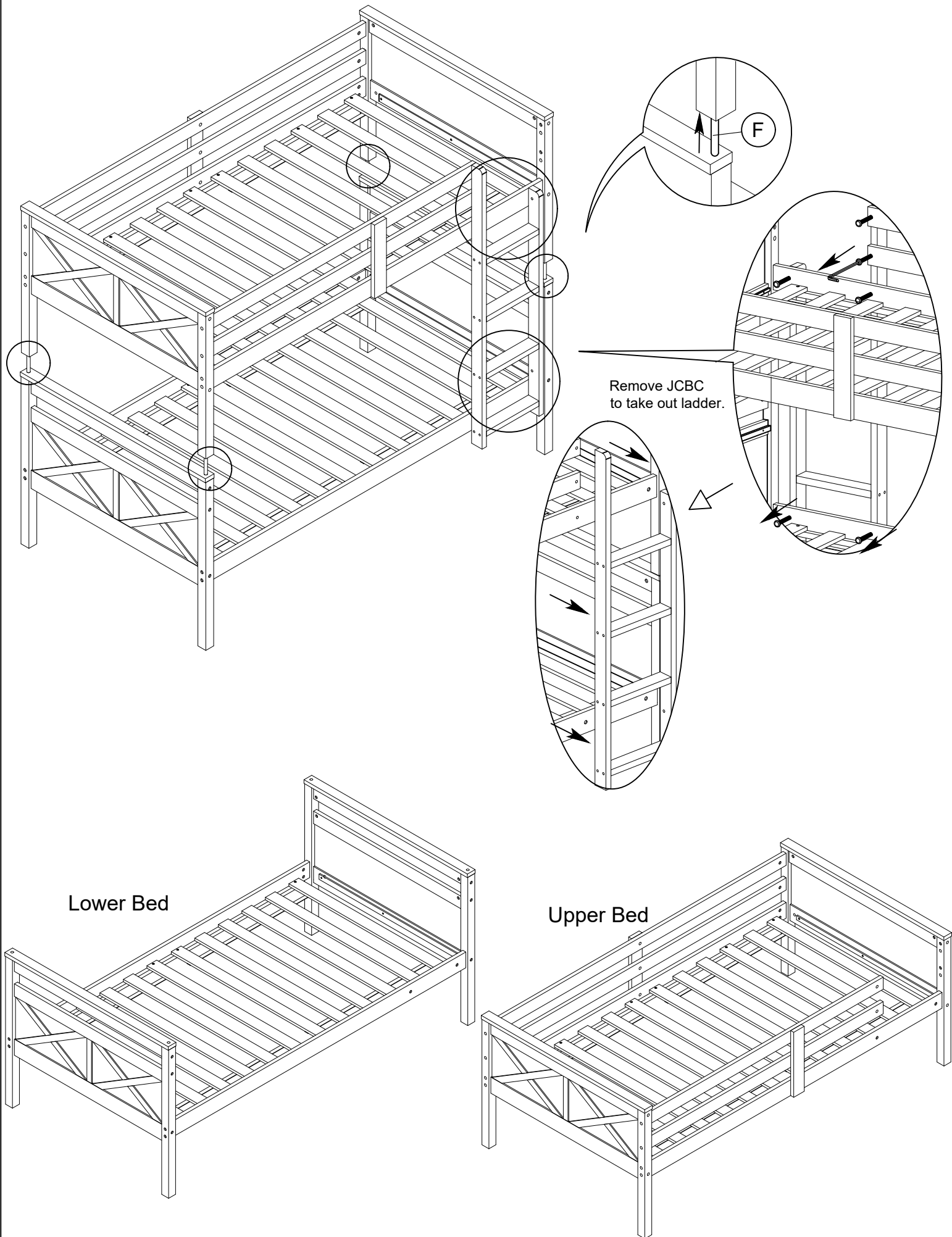
STEP 11



To dismantle the bunk bed into two single beds, please follow the instructions on the next page.

**ASSEMBLY
COMPLETED.**

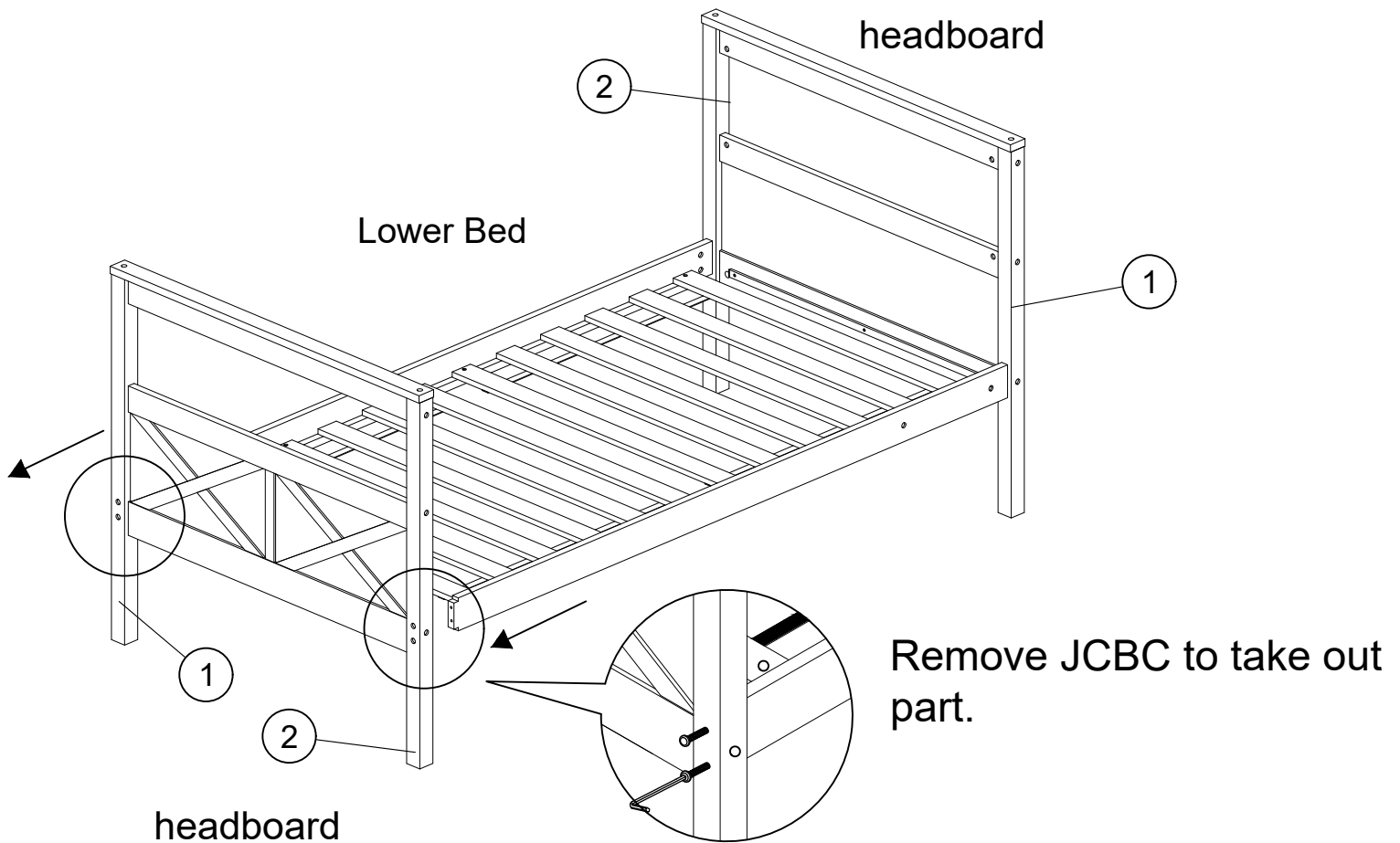
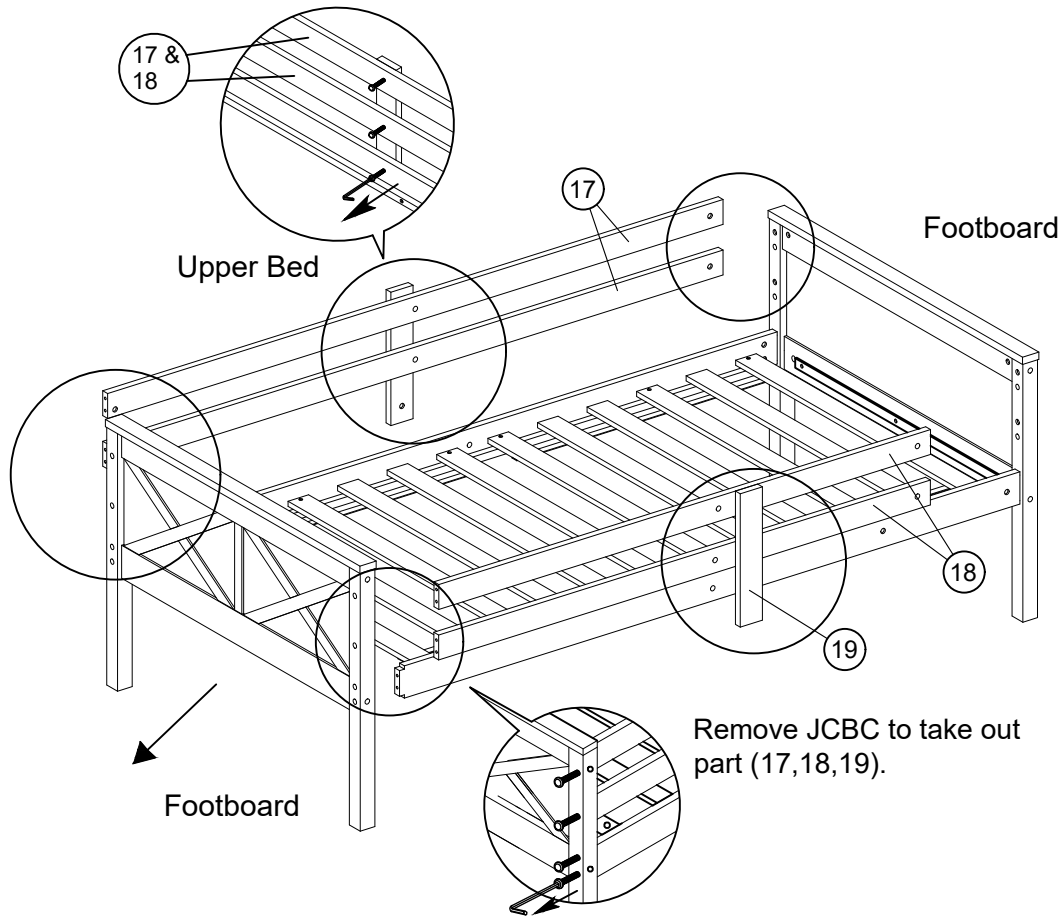
ASSEMBLY INSTRUCTION



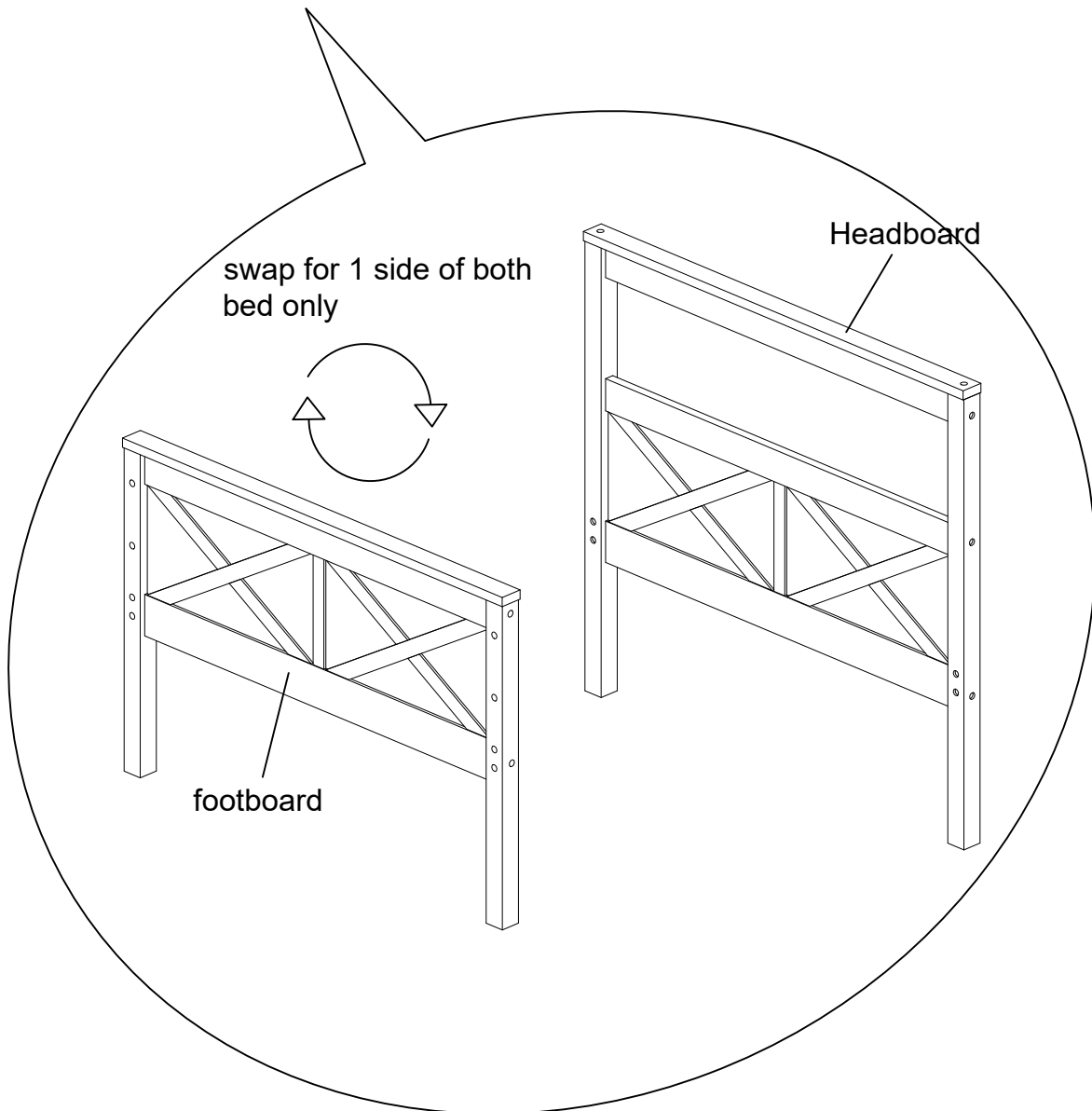
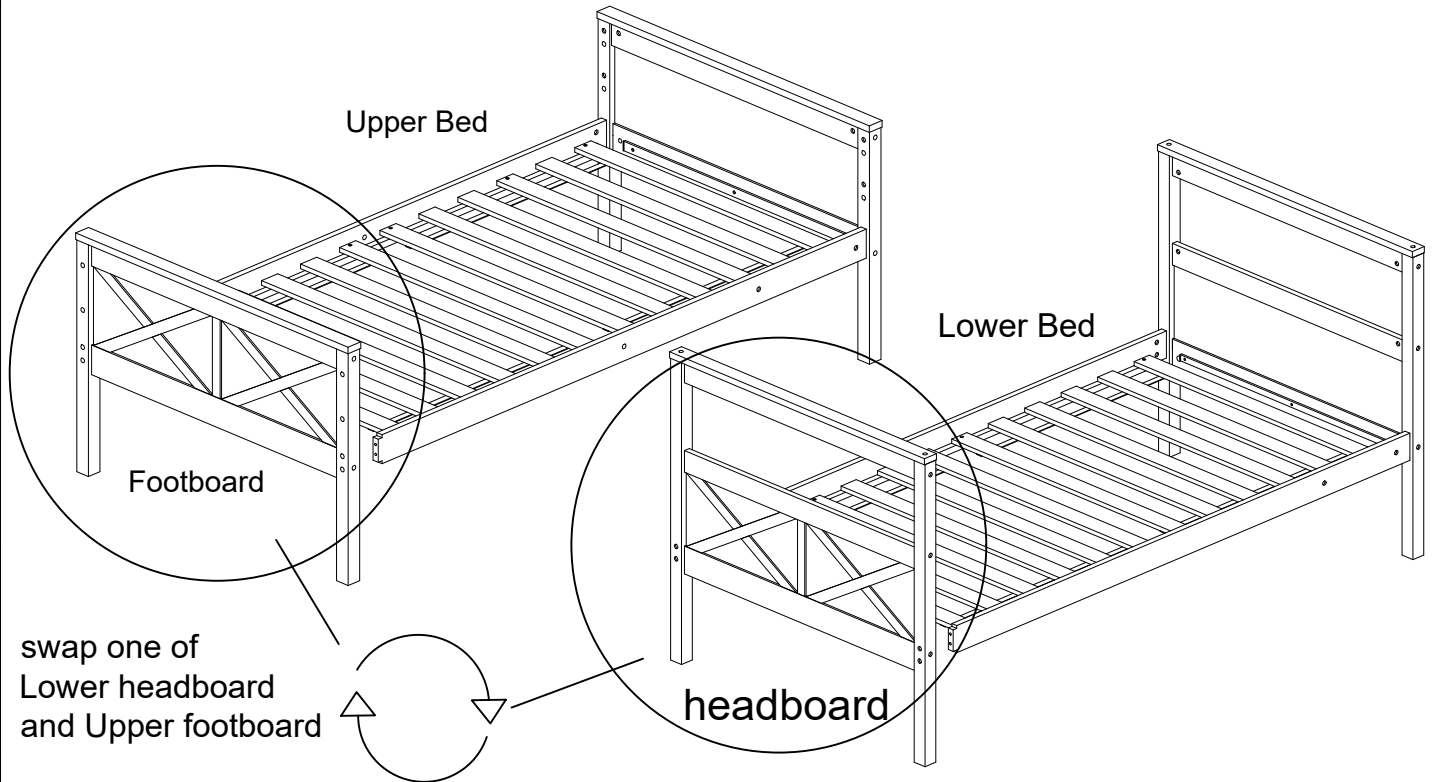
Lower Bed

Upper Bed

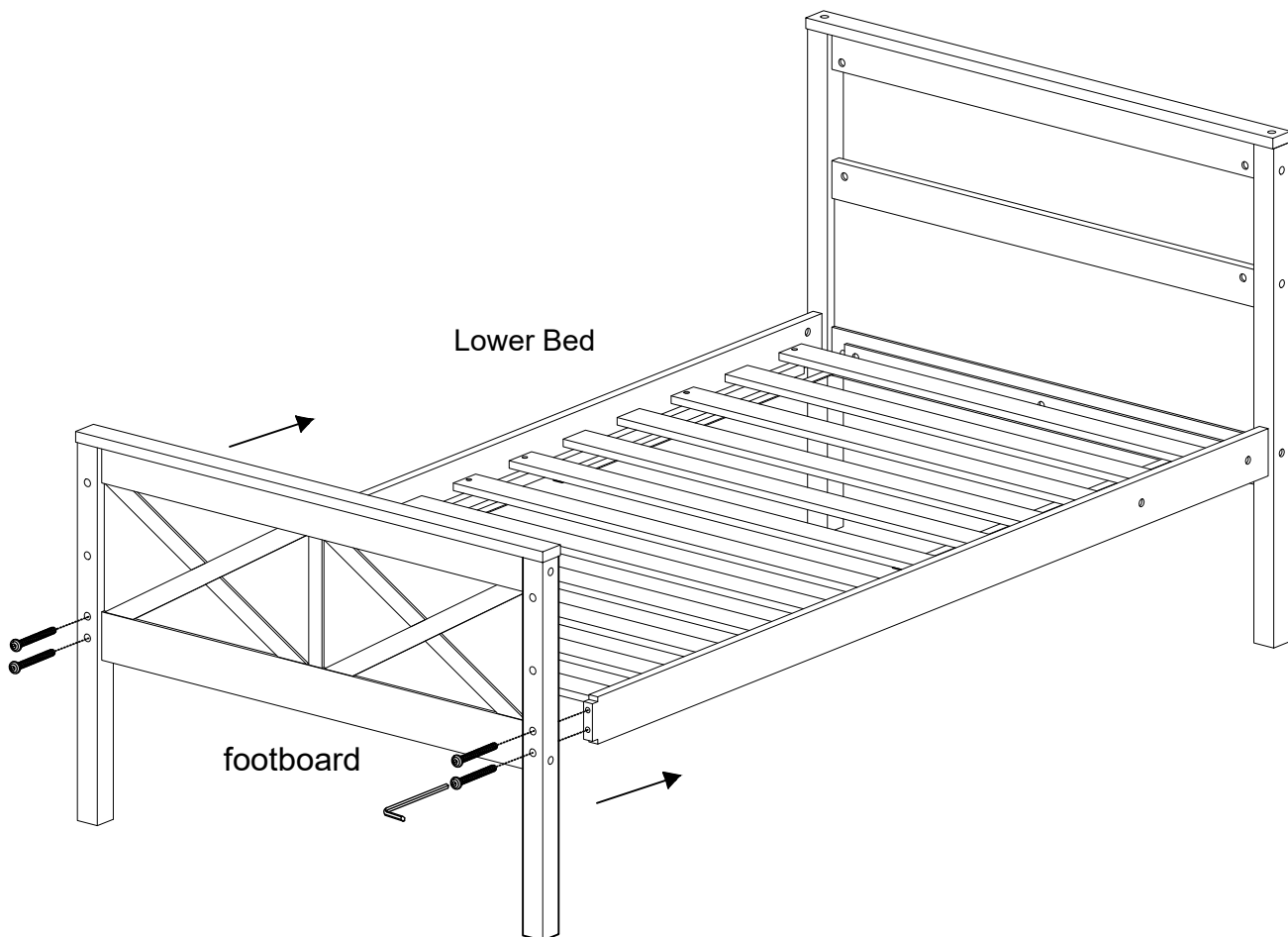
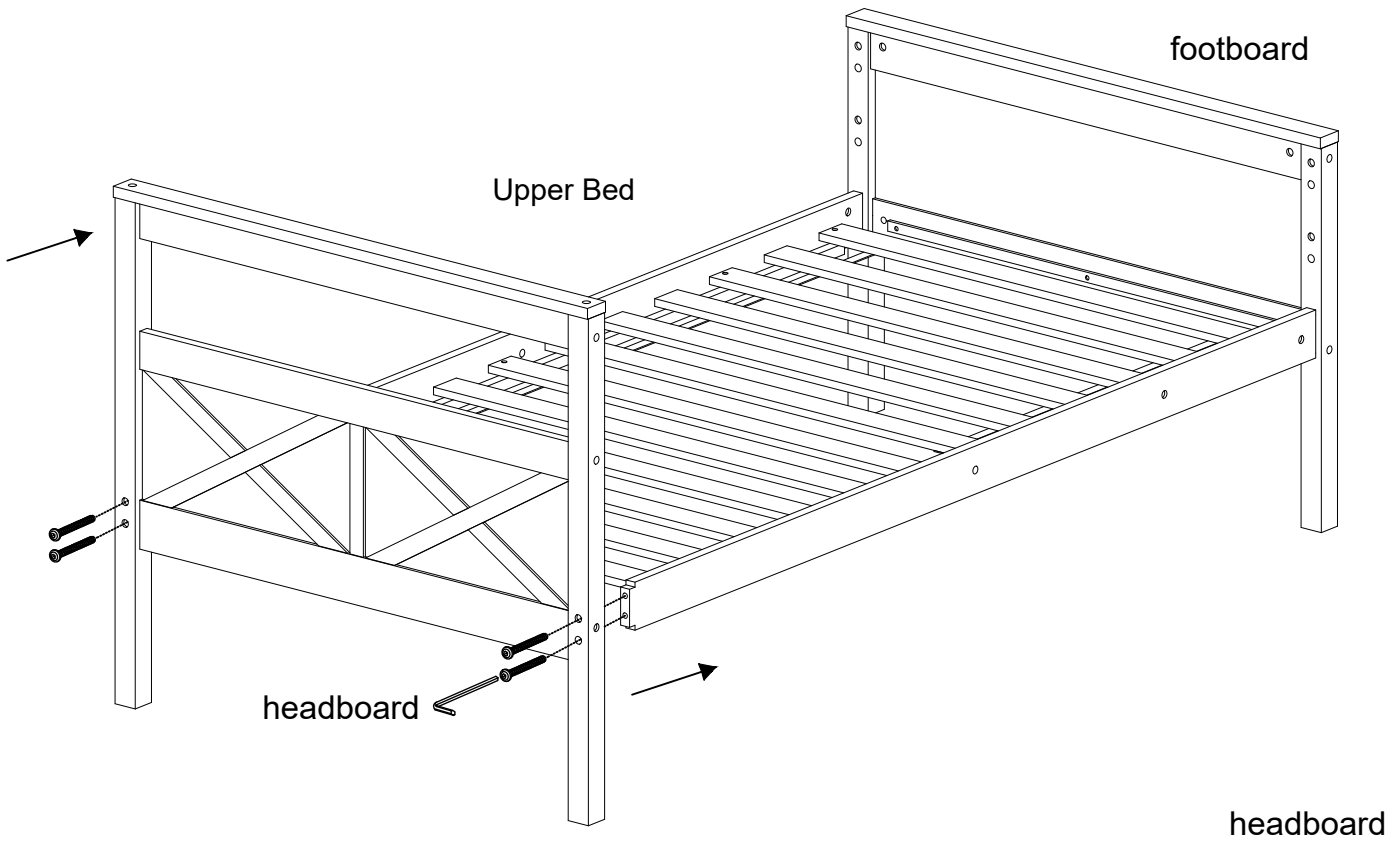
ASSEMBLY INSTRUCTION



ASSEMBLY INSTRUCTION



ASSEMBLY INSTRUCTION



ASSEMBLY INSTRUCTION

