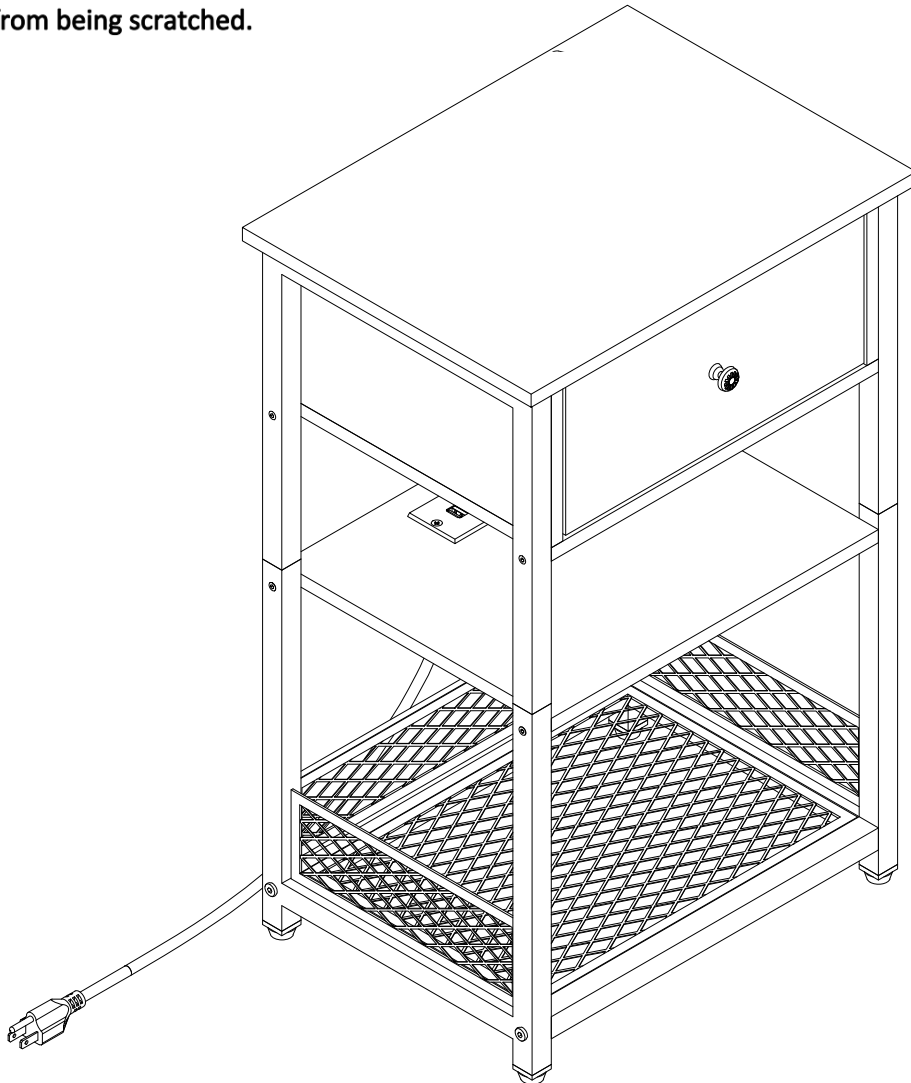


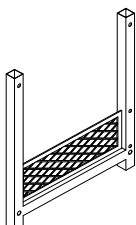
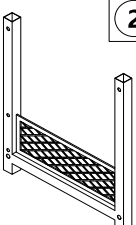
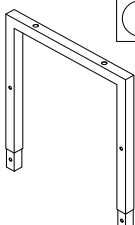
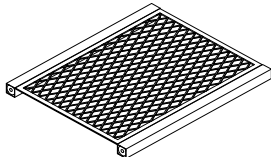
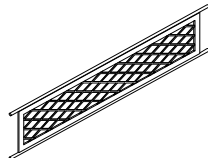
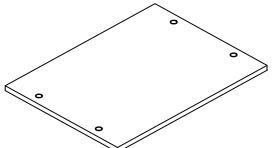
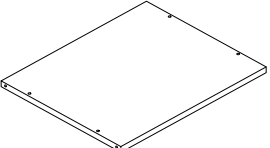
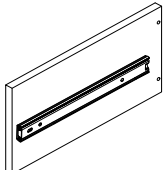
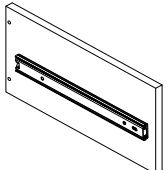
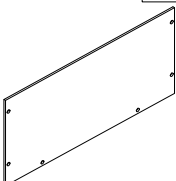
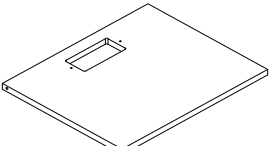
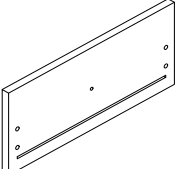
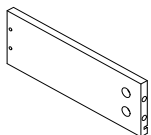
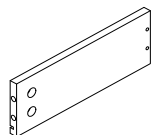
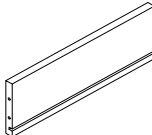
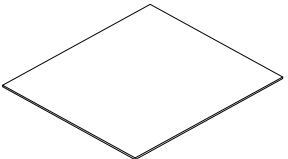
# THANK YOU FOR PURCHASING OUR PRODUCTS!

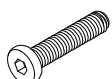




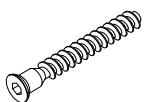
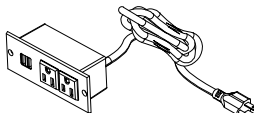




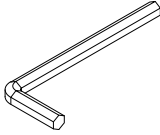
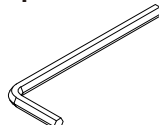

This furniture is designed for indoor application. Please read this booklet carefully and use all the items correctly as described. And please kindly note that the warranty does not apply to any product that has been improperly used.

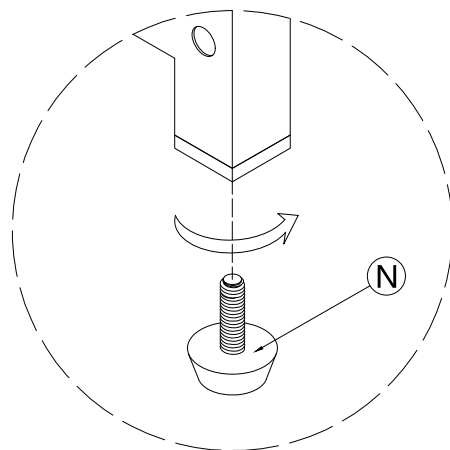
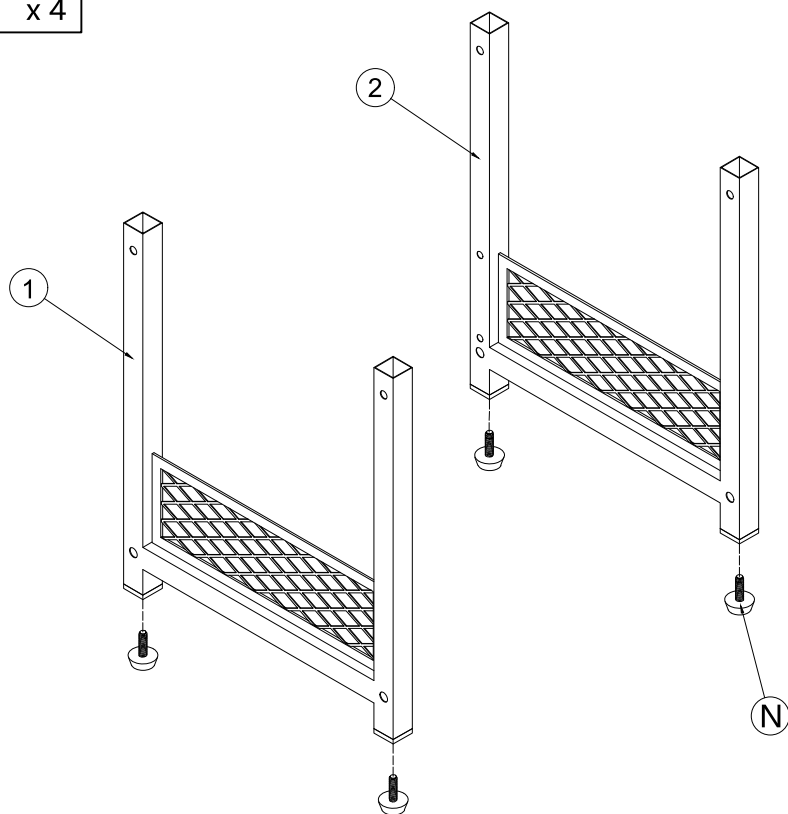
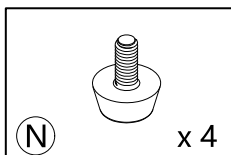
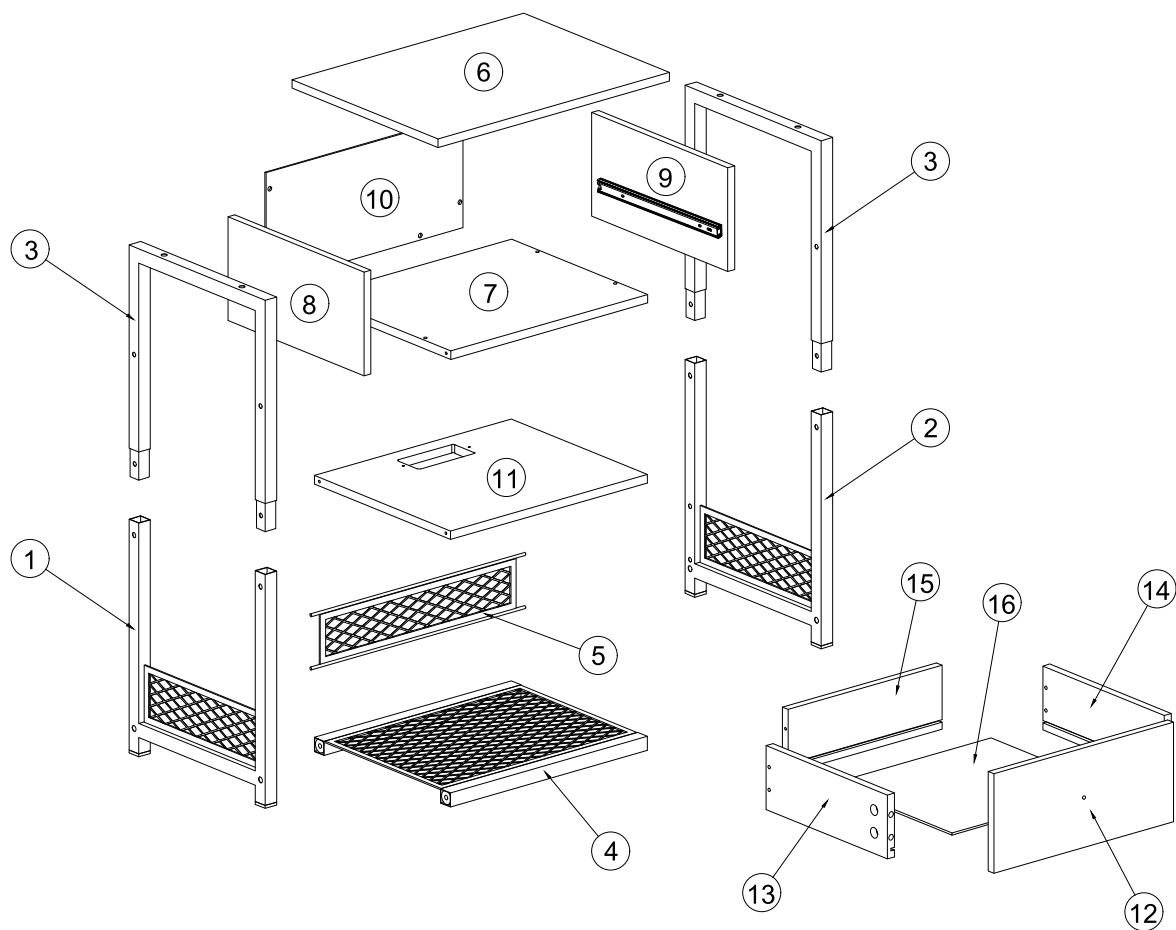
After unboxing and before assembly, please check whether there are any parts damaged. If yes, please contact our customer service team by calling the numbers below. Meanwhile, please check whether you have all the parts and hardware listed. If there is any missing item, please contact us immediately.

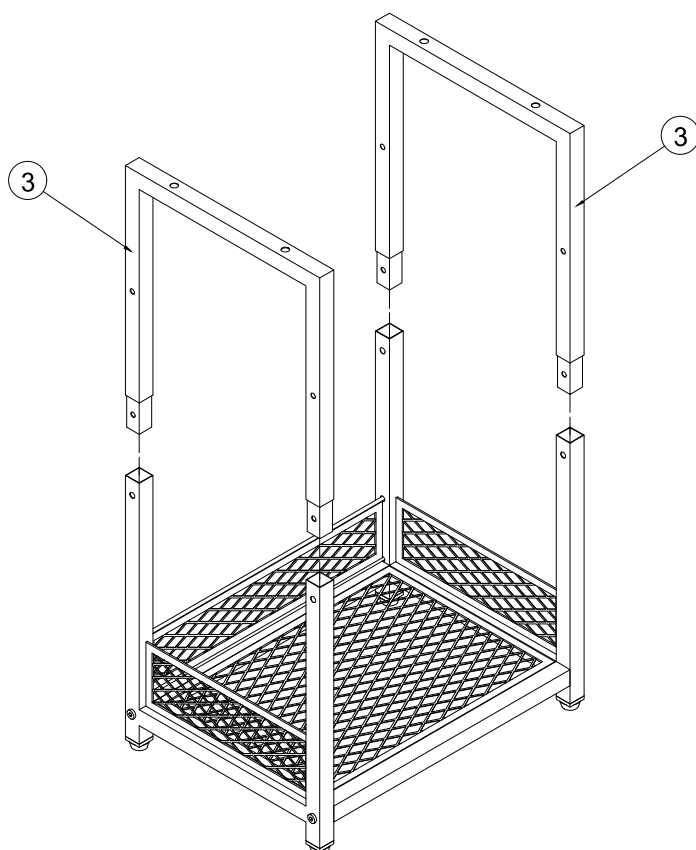
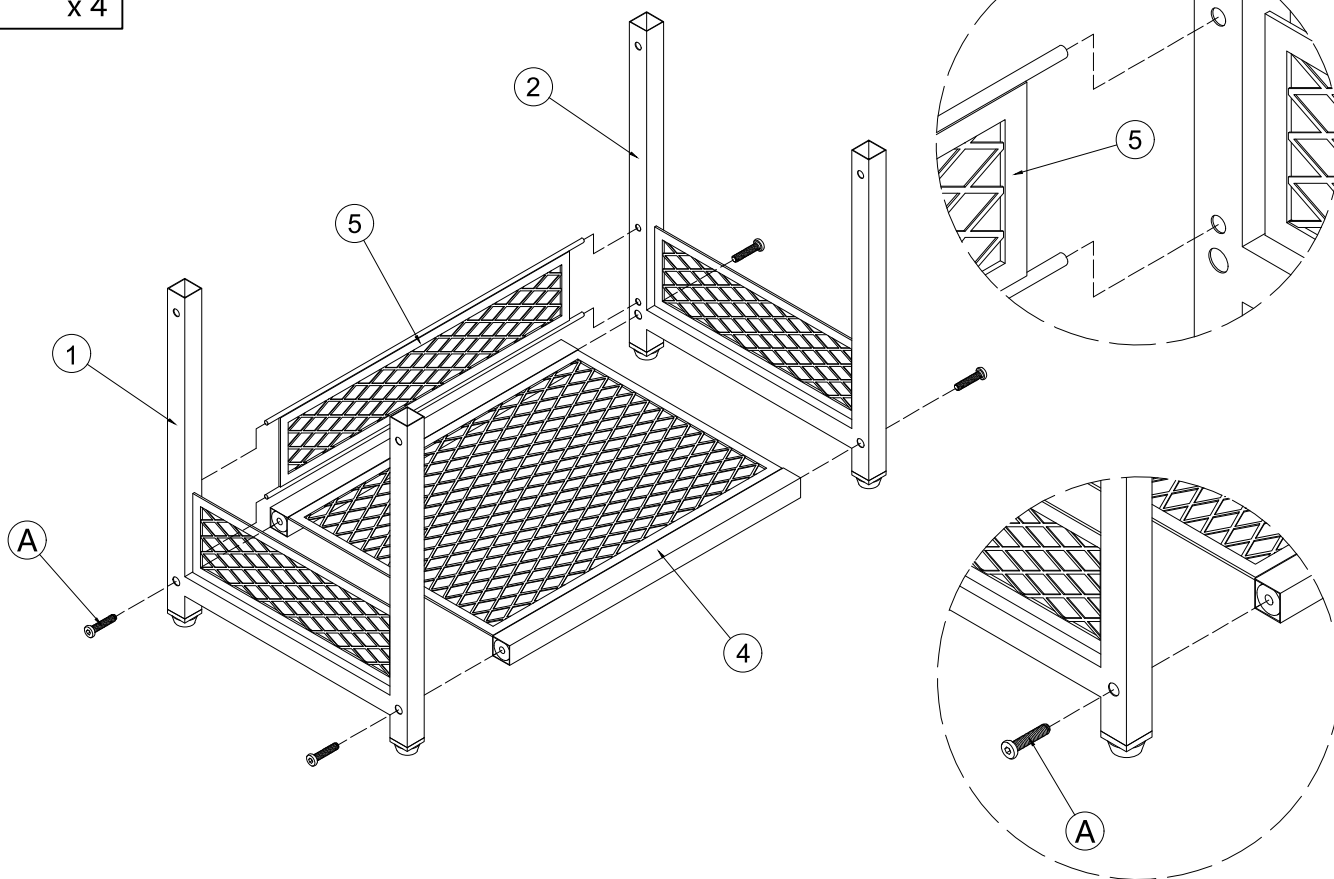
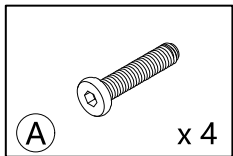
- Remove all wrapping materials, staples and packing straps.
- Read the Parts List and Hardware List carefully, make sure all parts and hardware are intact.
- Place all parts on a clean and smooth surface, such as a rug or carpet, to prevent the parts from being scratched.

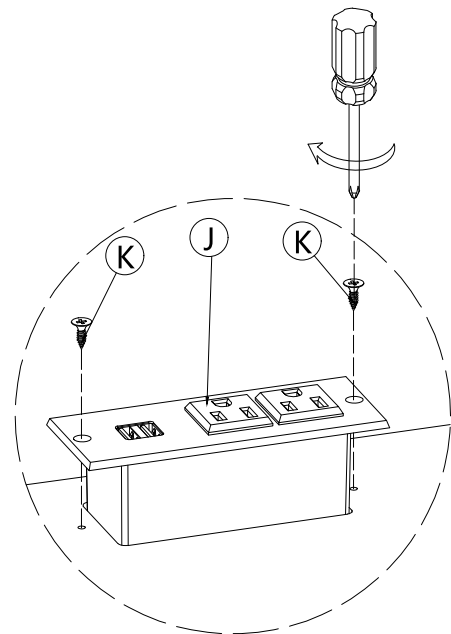
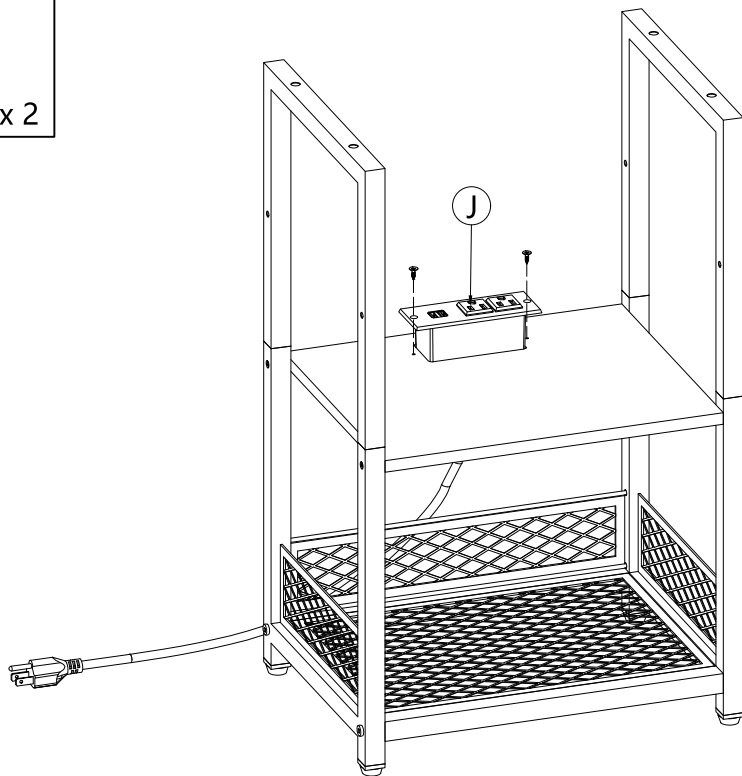
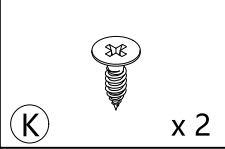
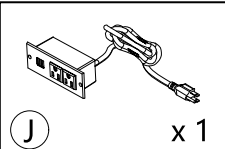
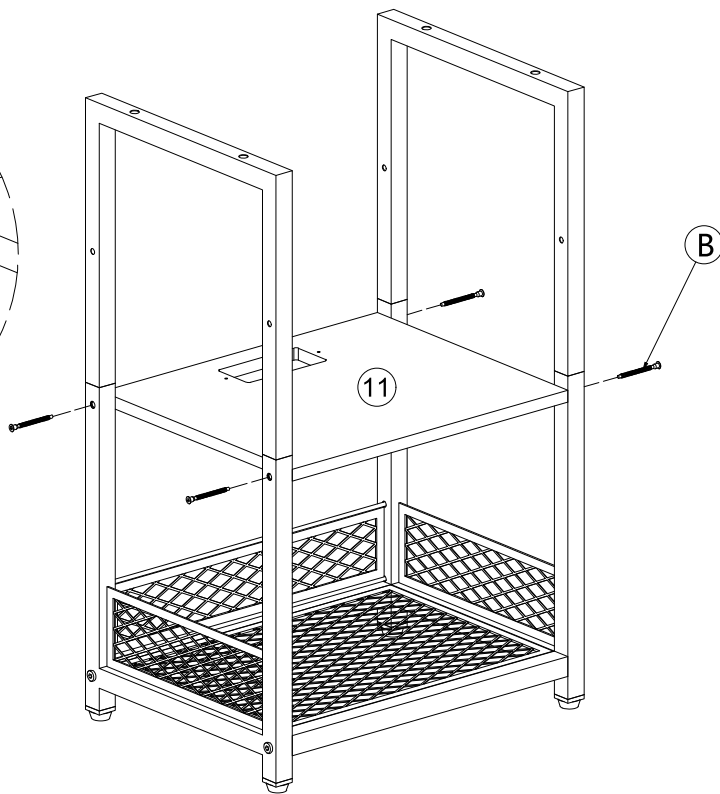
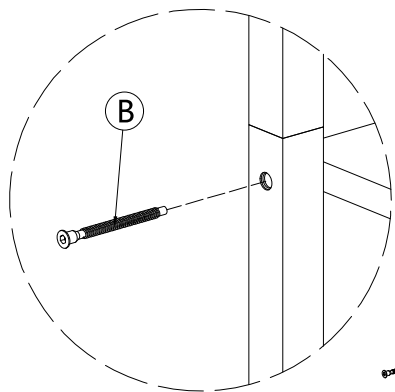
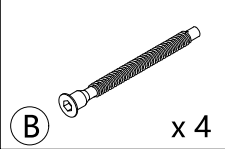


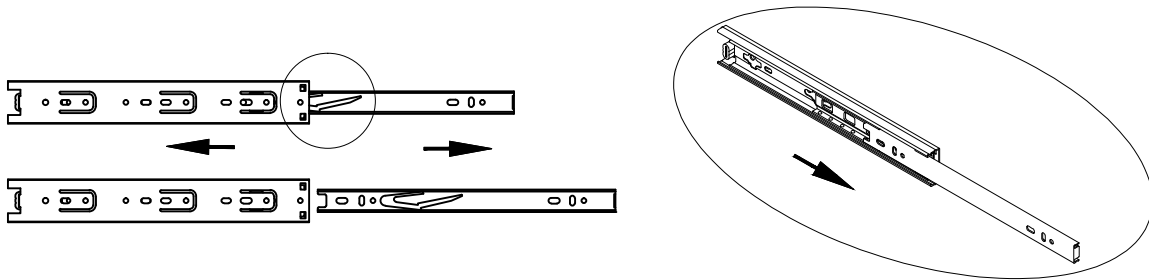
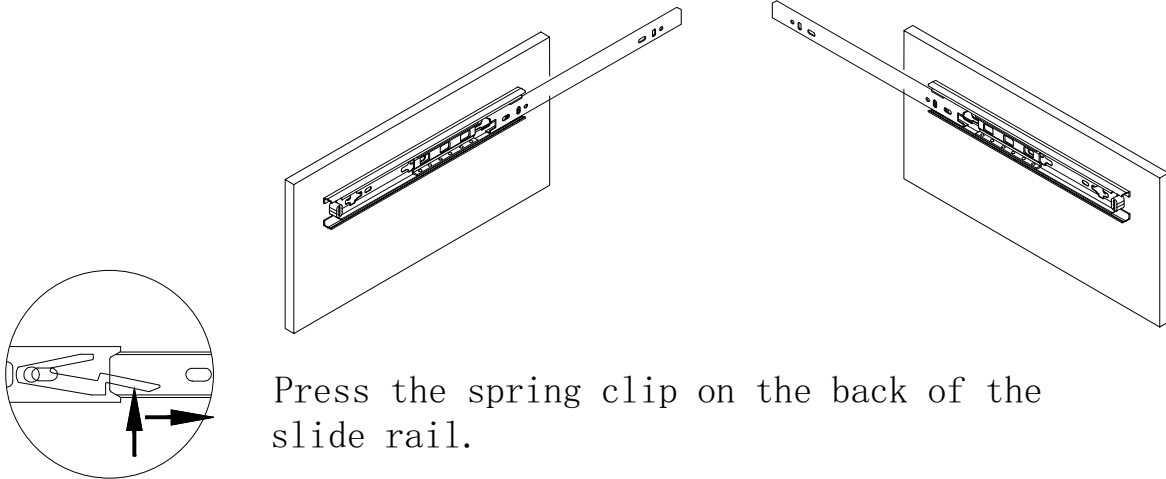
 <b>1</b> x 1	 <b>2</b> x 1	 <b>3</b> x 2	 <b>4</b> x 1	 <b>5</b> x 1
 <b>6</b> x 1	 <b>7</b> x 1	 <b>8</b> x 1	 <b>9</b> x 1	 <b>10</b> x 1
 <b>11</b> x 1	 <b>12</b> x 1	 <b>13</b> x 1	 <b>14</b> x 1	 <b>15</b> x 1
 <b>16</b> x 1				

<b>A</b> x 8  M6*28mm	<b>B</b> x 8  M5*50mm	<b>C</b> x 4  M6*36mm	<b>D</b> x 4  φ15*9.5mm	<b>E</b> x 6  M3.5*14mm
<b>F</b> x 8  M5*40mm	<b>J</b> x 1 	<b>K</b> x 10  M3.5*10mm	<b>L</b> x 1  φ19*17.5mm	<b>M</b> x 1  M4*19mm
<b>N</b> x 4  M6*φ22*20mm	<b>S4</b> x 1 	<b>S3</b> x 1 	<b>X</b> 1 	









Remove the inner rail from the main body of the slide rail. Leave the inner rail for the next step.

