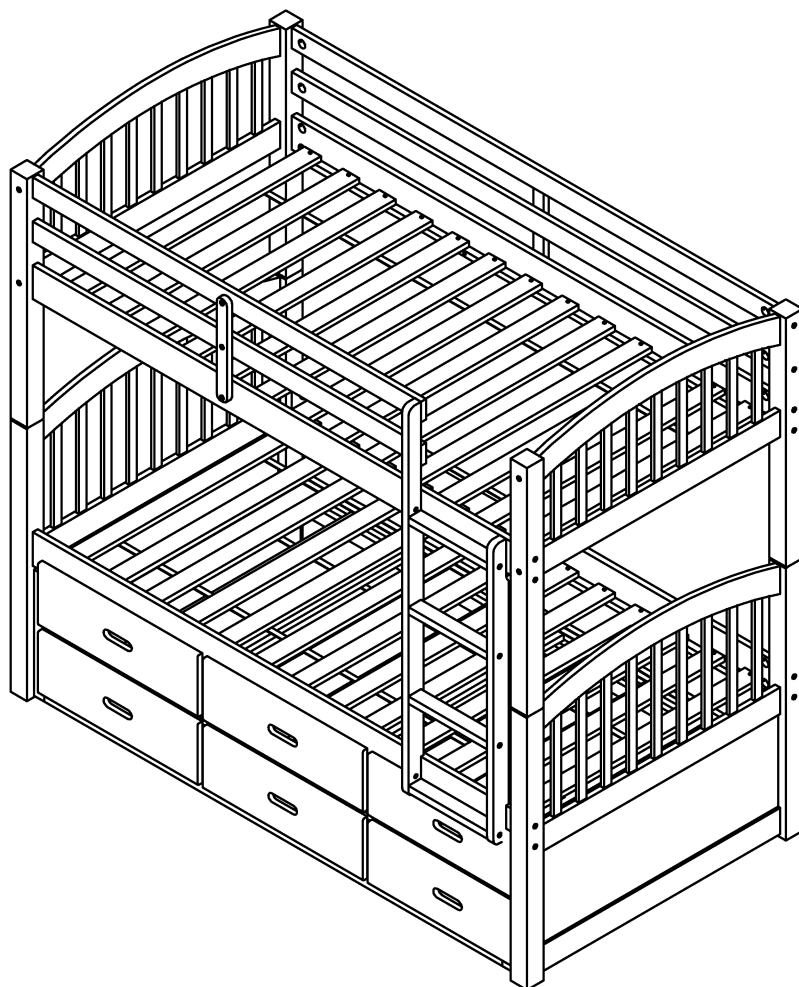


# ASSEMBLY INSTRUCTION




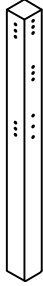

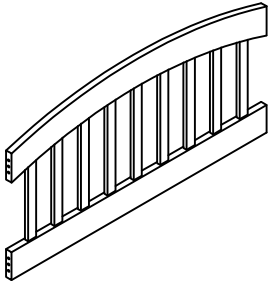
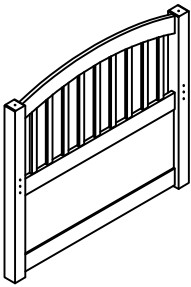
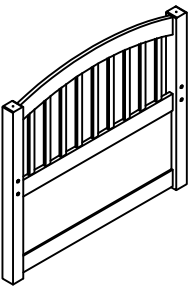
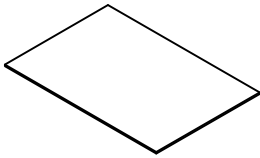
## SAFETY WARNINGS

1. Follow the information on the warning label appearing on the upper bunk end structure and on the carton.. **Do not remove warning label from bed.**
2. Always use the recommended size mattress or mattress support, or both, to help prevent the likelihood of entrapment or falls.
3. Surface of mattress must be at least 5 inches below the upper edge of guard rails.
4. Do not allow children under 6 years to use the upper bunk.
5. Prohibit more than one person on upper bunk.
6. Periodically check and ensure that the guardrail, ladder, and other components are in their proper position, free from damage, and that all connectors are tight.
7. Do not allow horseplay on or under the bed and prohibit jumping on the bed.
8. Always use the ladder for entering and leaving upper bunk.
9. Do not use substitute part.
10. Use of night light may provide added safety precaution for a child using the upper bunk.
11. If the bunk bed will be placed next to a wall, the guardrail that runs the full length of the bed should be placed against the wall to prevent entrapment between the bed and the wall.
12. Always use guardrail on both long sides of the upper bunk.
13. The use of water or sleep flotation mattresses is prohibited.
14. Keep these instruction for future reference.
15. Strangulation Hazard - Never attach or hang items to any part of the bunk bed that are not designed for use with the bed, for example, but not limited to hooks, belts and jump rores.
16. ***Trundle : Only use for mattress 6 inch.***

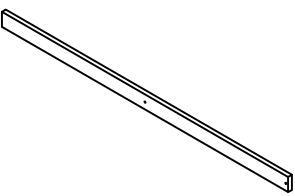
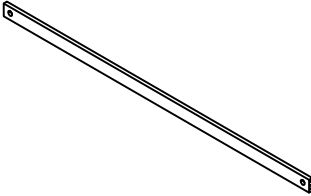
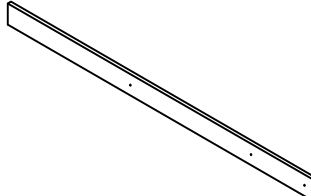
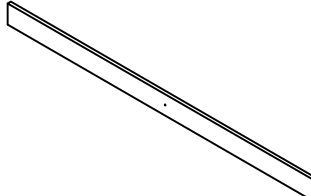
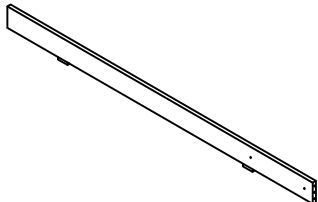
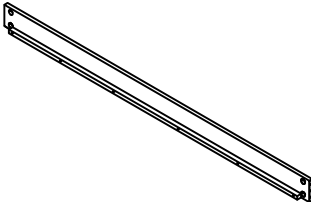



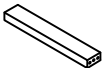
# PARTS LIST & ILLUSTRATION

~~ Note : Do Not Fully Tighten Screws until Fully Assembled ~~

## Box A (1 + 2 + 3 + 4 + 11 + 12 + 28)

<p>1</p>  <p>Upper legs 2pcs</p>	<p>2</p>  <p>Upper leg 1pc</p>	<p>3</p>  <p>Upper leg 1pc</p>	<p>4</p>  <p>Upper side panels 2pcs</p>
<p>11</p>  <p>Bottom left panel 1pc</p>	<p>12</p>  <p>Bottom right panel 1pc</p>	<p>28</p>  <p>Drawer bottom panels 3pcs</p>	

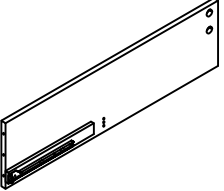
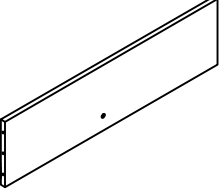
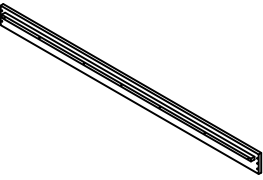
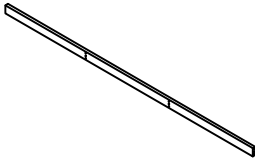
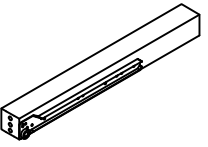
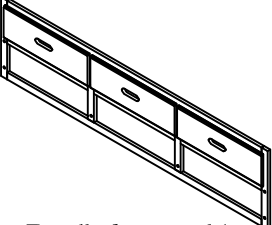
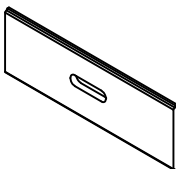
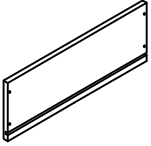
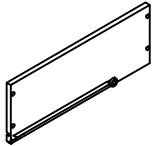
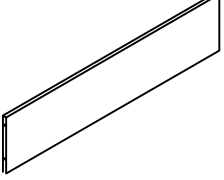
## Box B (5+6+7+8+9+10+13+14+15+16)

<p>5</p>  <p>Front guard rails 2pcs</p>	<p>6</p>  <p>back guard rails 2pcs</p>	<p>7</p>  <p>Upper front side rail 1pc</p>	<p>8</p>  <p>Upper back side rail 1pc</p>
<p>9</p>  <p>Lower front side rail 1pc</p>	<p>10</p>  <p>Lower back side rail 1pc</p>	<p>13</p>  <p>Guard rail supports 2pcs</p>	<p>14</p>  <p>Ladder left side rail 1pc</p>
<p>15</p>  <p>Ladder Right side rail 1pc</p>	<p>16</p>  <p>Ladder step 4pcs</p>		

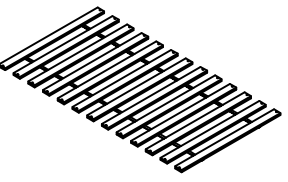
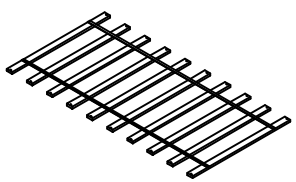
# PARTS LIST & ILLUSTRATION

~~ Note : Do Not Fully Tighten Screws until Fully Assembled ~~

## Box C (18+19+20+21+22+23+24+25+26+27)







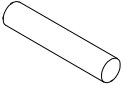

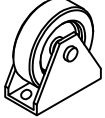



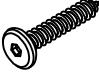

<p>18</p>  <p>Trundle left side panel 1pc</p>	<p>19</p>  <p>Trundle right side panel 1pc</p>	<p>20</p>  <p>Trundle back panel 1pc</p>	<p>21</p>  <p>Long wooden bar 1pc</p>	<p>22</p>  <p>Short wooden bars 2pcs</p>
<p>23</p>  <p>Trundle front panel 1pc</p>	<p>24</p>  <p>Drawer front panels 3pcs</p>	<p>25</p>  <p>Drawer left side panels 3pcs</p>	<p>26</p>  <p>Drawer right side panels 3pcs</p>	<p>27</p>  <p>Drawer back panels 3pcs</p>

## Box D (17)

<p>17A</p>  <p>Slats 2 set ( 1 set = 13 slats)</p>	<p>17B</p>  <p>Slats 1 set ( 1set = 10 slats)</p>
--	--

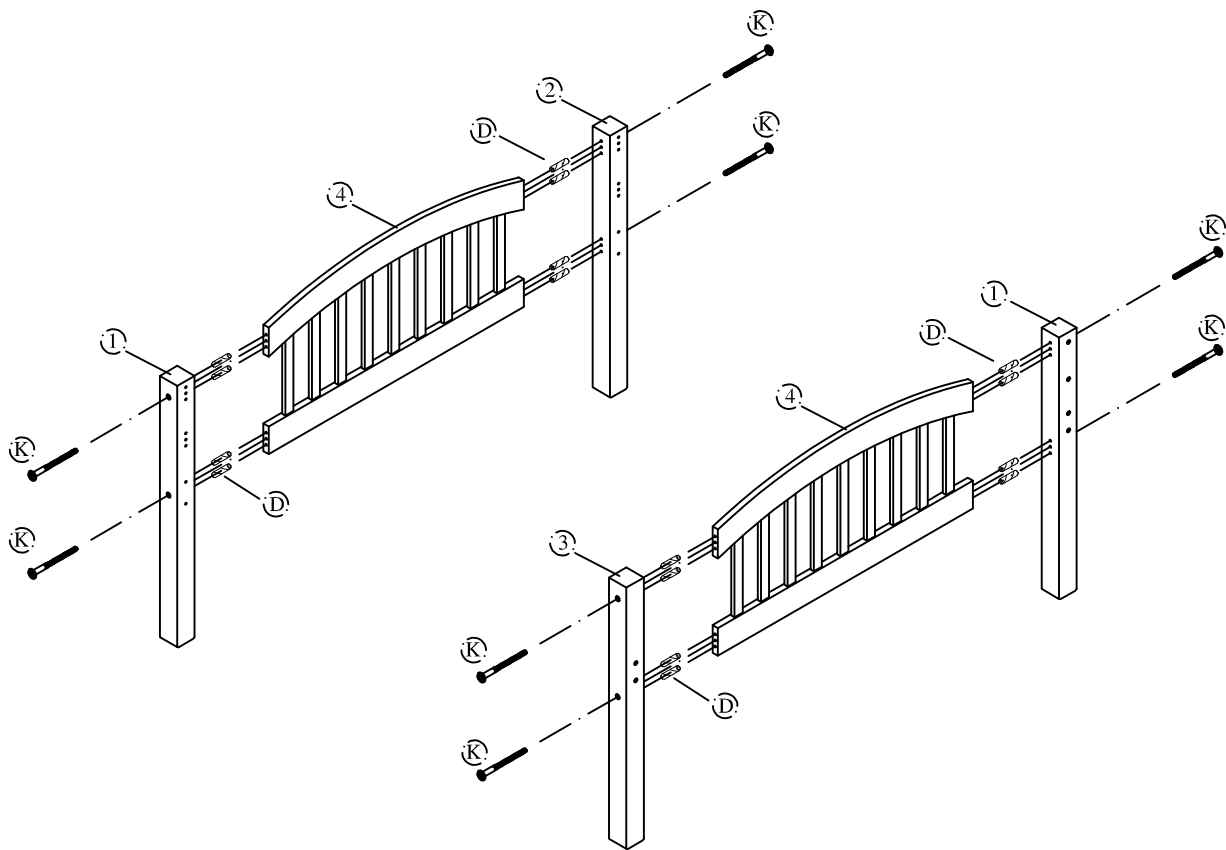
# HARDWARE & ILLUSTRATION

## Packed in box A

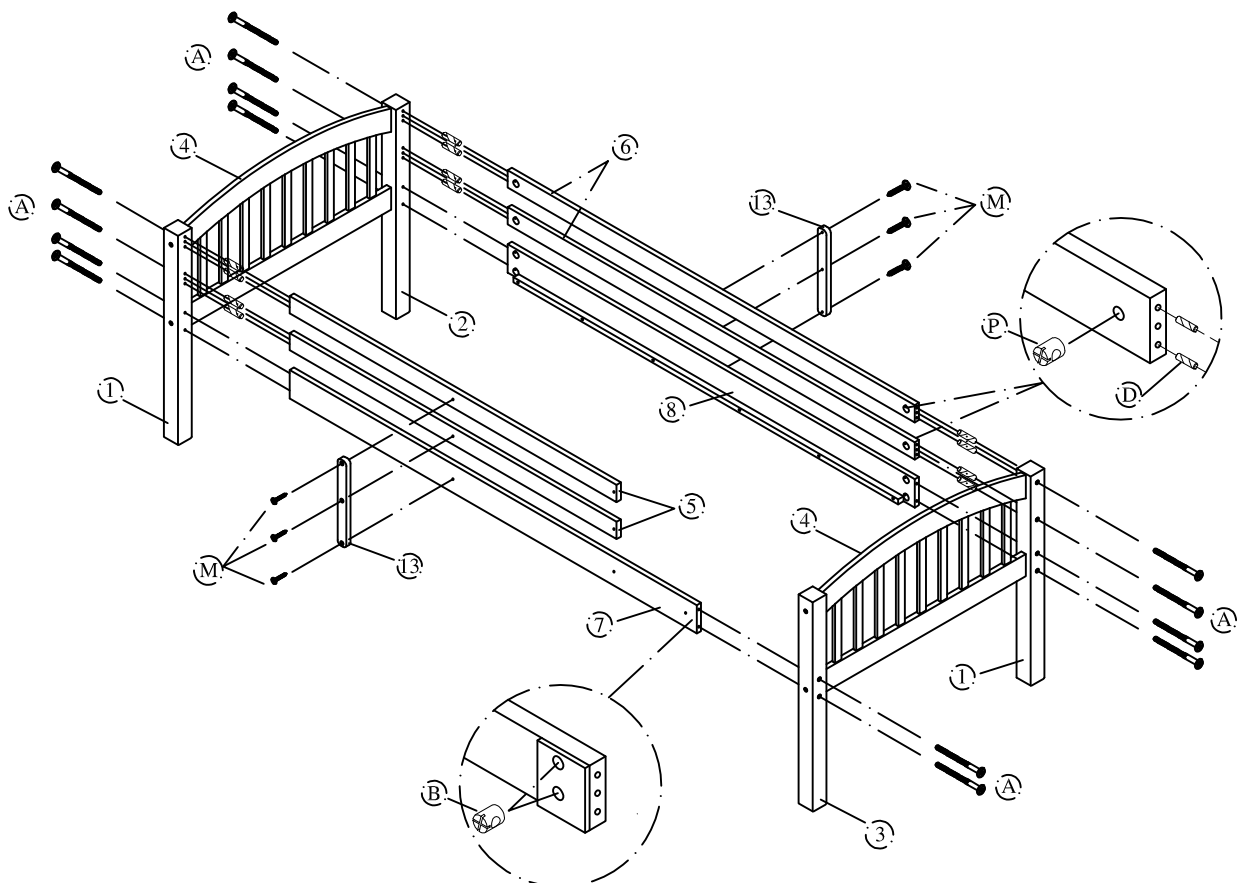
<p><b>A</b></p>  <p>Ø 15 x 1/4" x 110 mm Hex-Head bolts 22pcs</p>	<p><b>B</b></p>  <p>Ø10 x1/4" x 12 mm Horizontal-Hole bolts 26 pcs</p>	<p><b>C</b></p>  <p>Ø15 x 1/4" x 40 mm Hex-Head bolts 16 pcs</p>	<p><b>D</b></p>  <p>Ø8 x 30 mm Wood dower 60 pcs</p>	<p><b>E</b></p>  <p>Ø15 x1/4" x 65 mm Hex-Head bolts 4pcs</p>
<p><b>F</b></p>  <p>Ø8 x 35 mm Wood Screws 72pcs</p>	<p><b>G</b></p>  <p>Ø10 x 90 mm Stell dower 4pcs</p>	<p><b>I</b></p>  <p>Ø7 x 15 mm Wood Screws 8pcs</p>	<p><b>J</b></p>  <p>Wheels Big(H52mm) 4pcs</p>	<p><b>K</b></p>  <p>Ø15 x1/4" x 90 mm Hex-Head bolts 8pcs</p>
<p><b>L</b></p>  <p>Ø8 x 25 mm Wood Screws 24pcs</p>	<p><b>M</b></p>  <p>Ø15 x 1/4" x 30 mm Hex-Head bolts 6pcs</p>	<p><b>N</b></p>  <p>Ø15 x 1/4" x 50 mm Hex-Head bolts 8 pcs</p>	<p><b>P</b></p>  <p>Allen Key 1pc</p>	

**P**

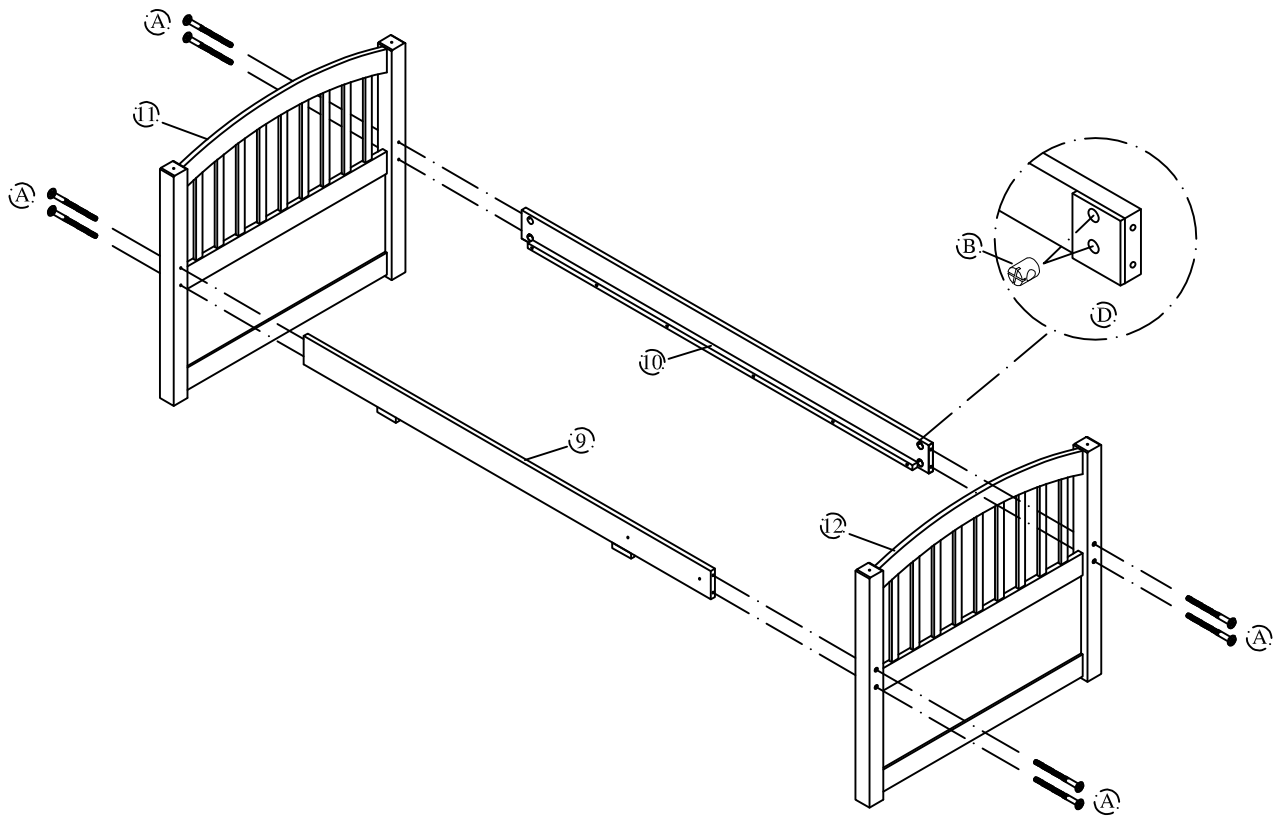
# Step 1



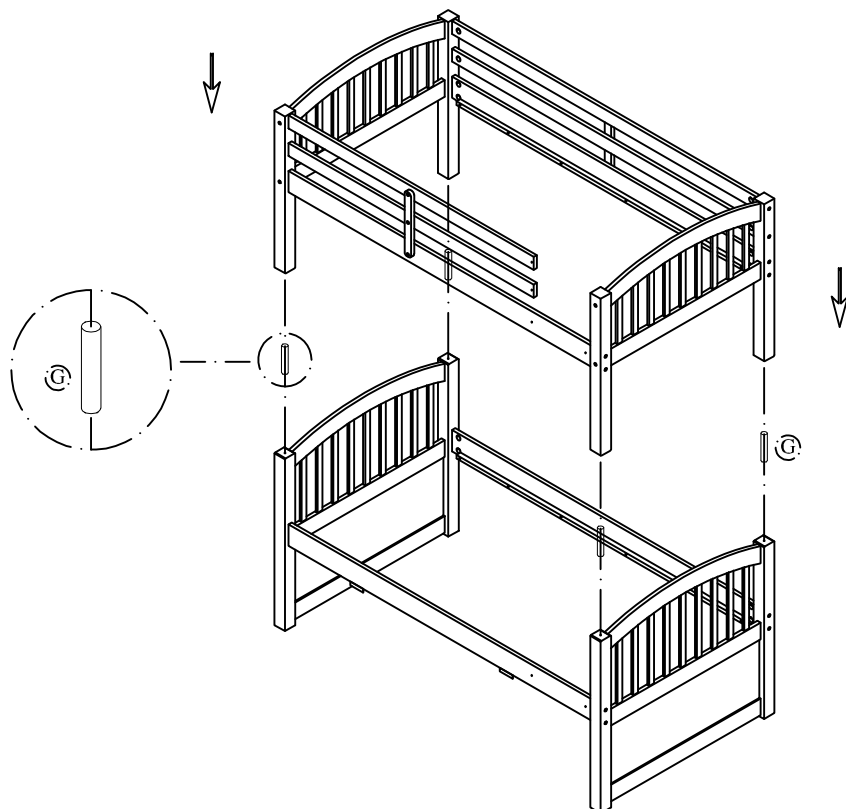
# Step 2



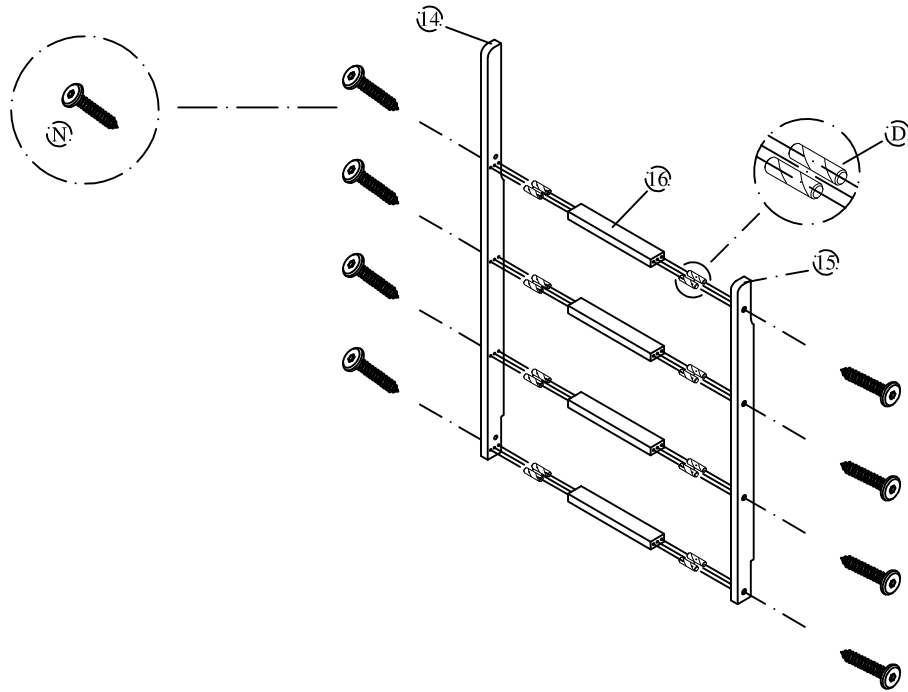
# Step 3



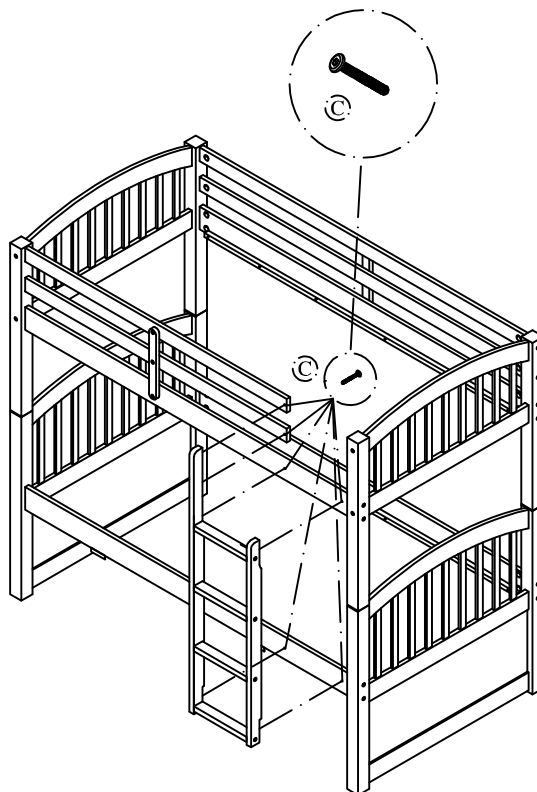
# Step 4



# Step 5

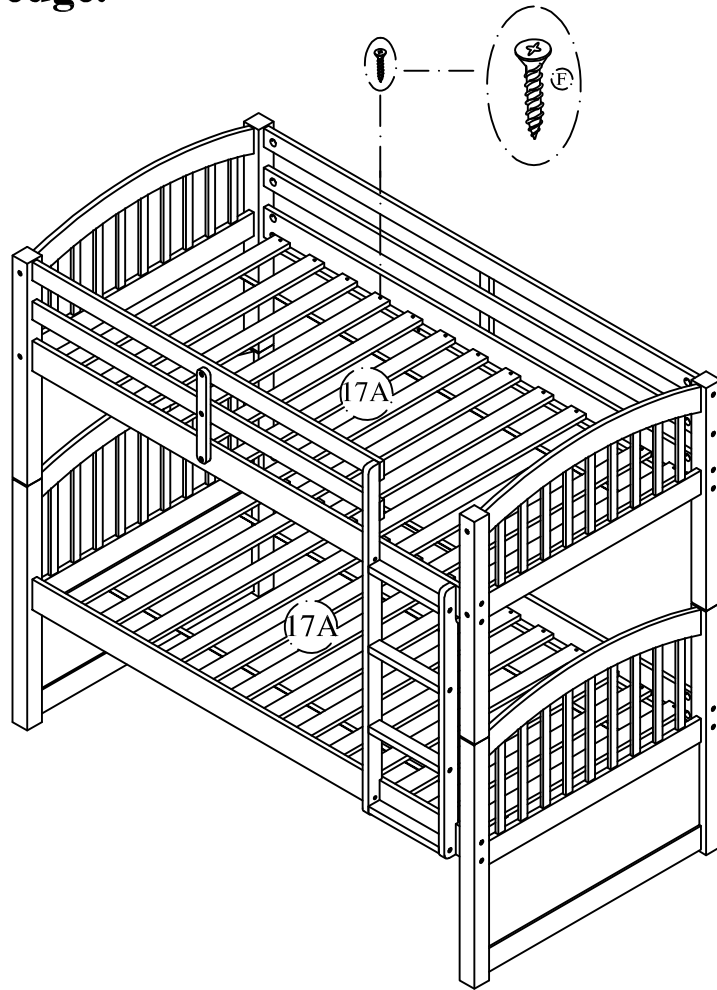


# Step 6

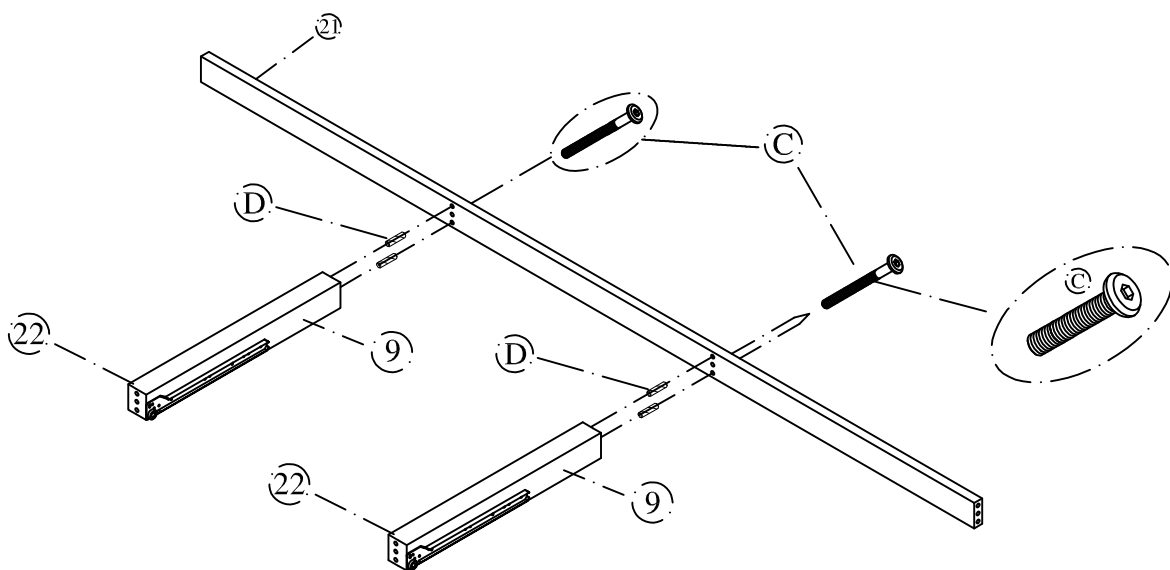


# Step 7

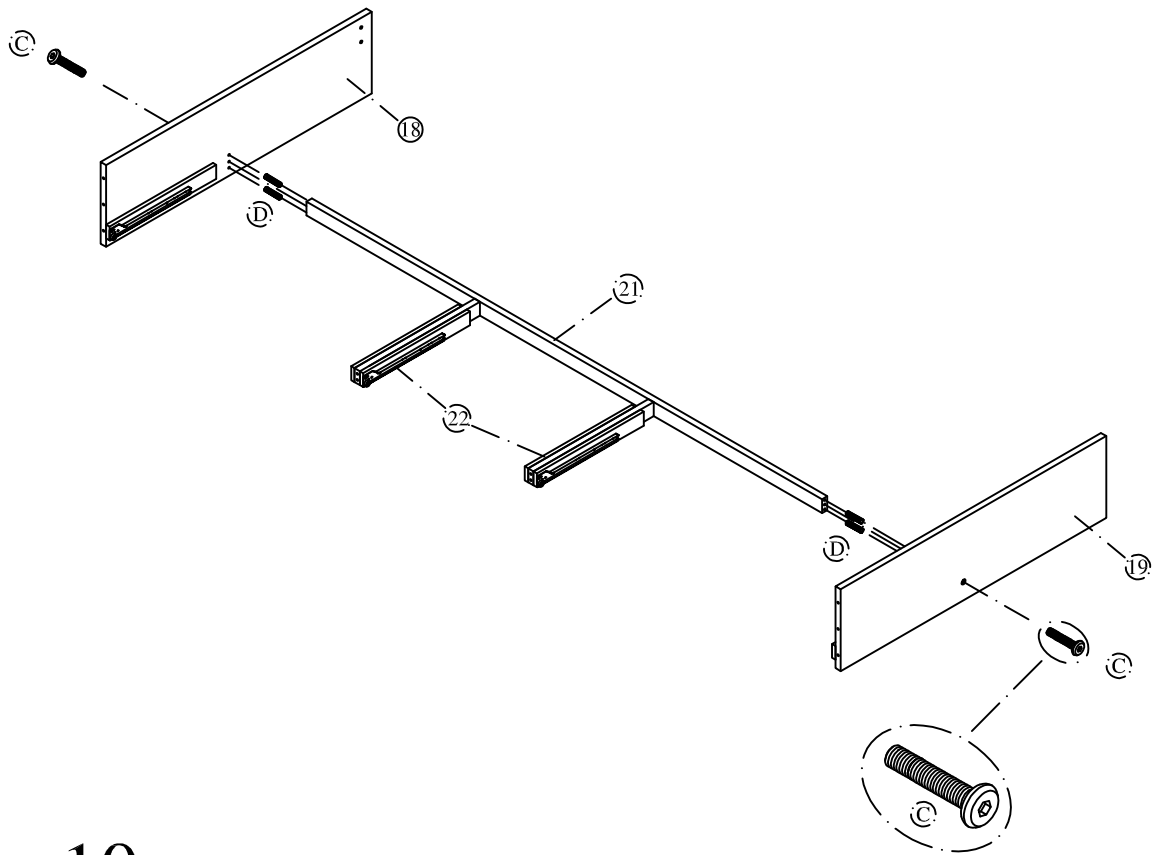
**NOTE.** The slats have been precisely sized to fit standard mattresses. Side rails must be pushed together so that the slats are installed firmly on the slat support edge.



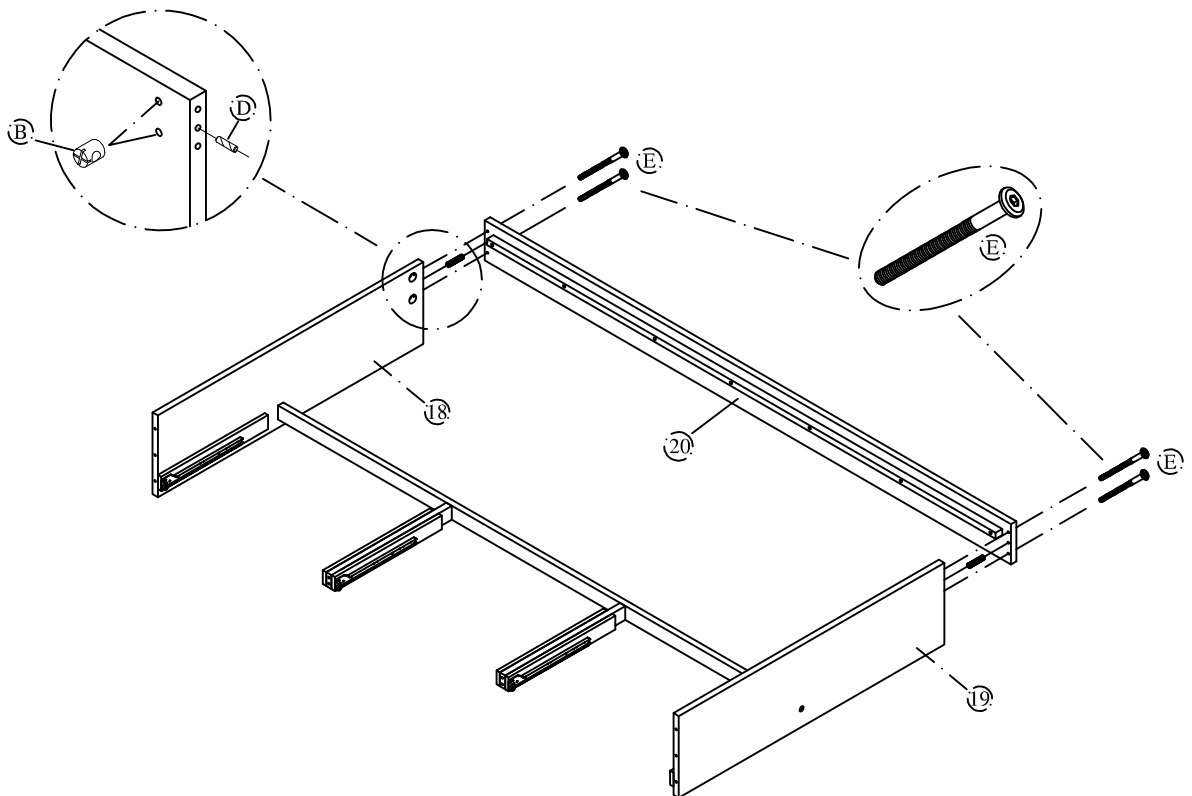
# Step 8



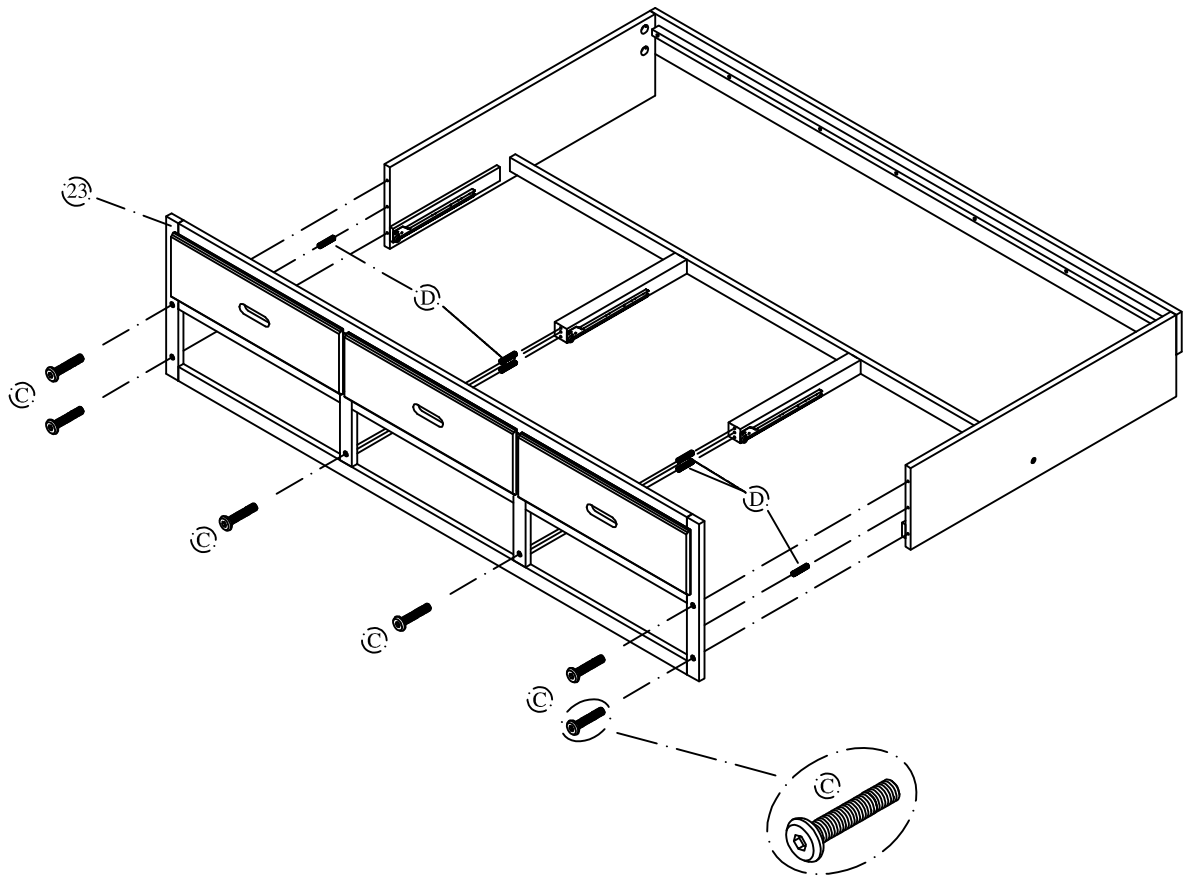
# Step 9



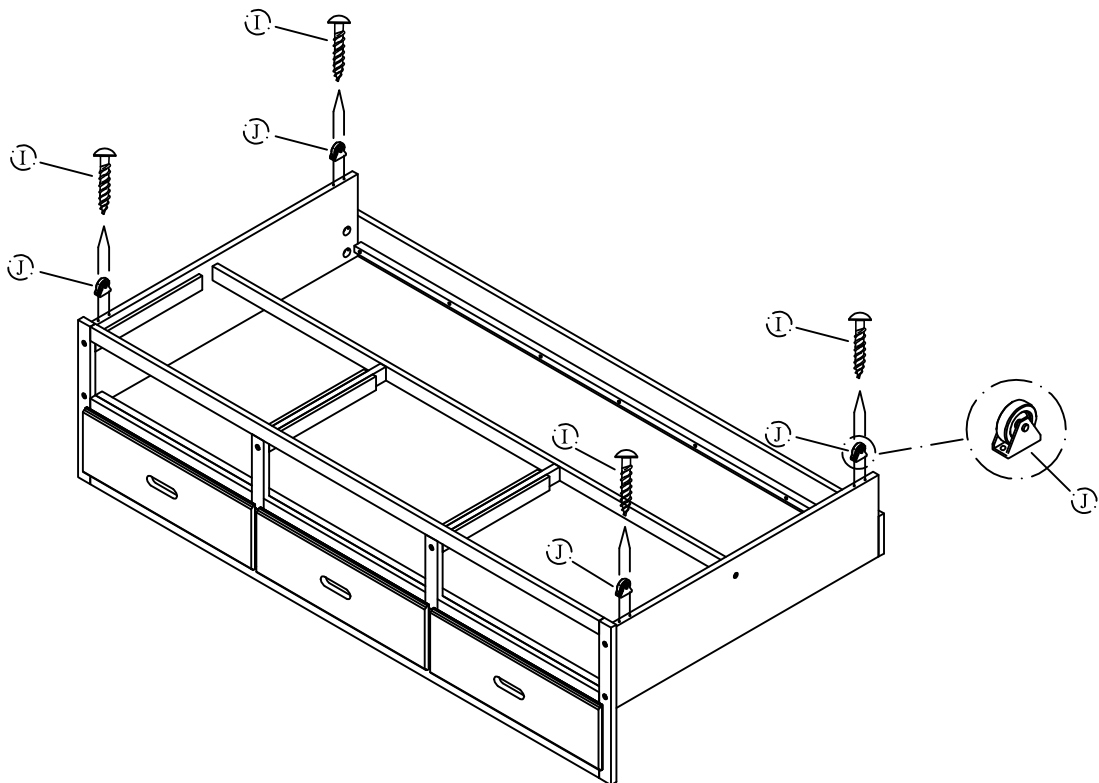
# Step 10



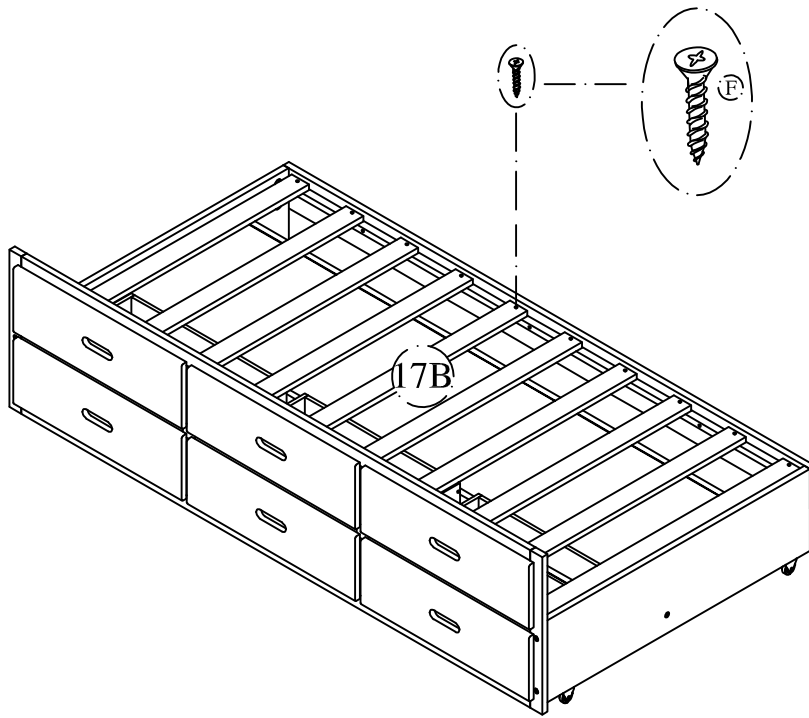
# Step 11



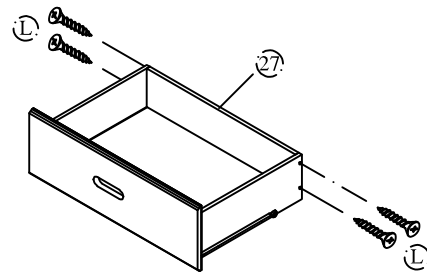
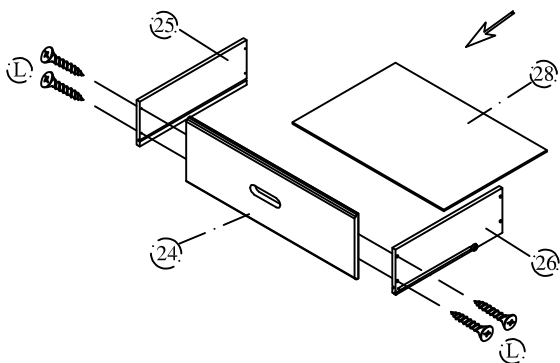
# Step 12



# Step 13



# Step 14



ASSEMBLY COMPLETED