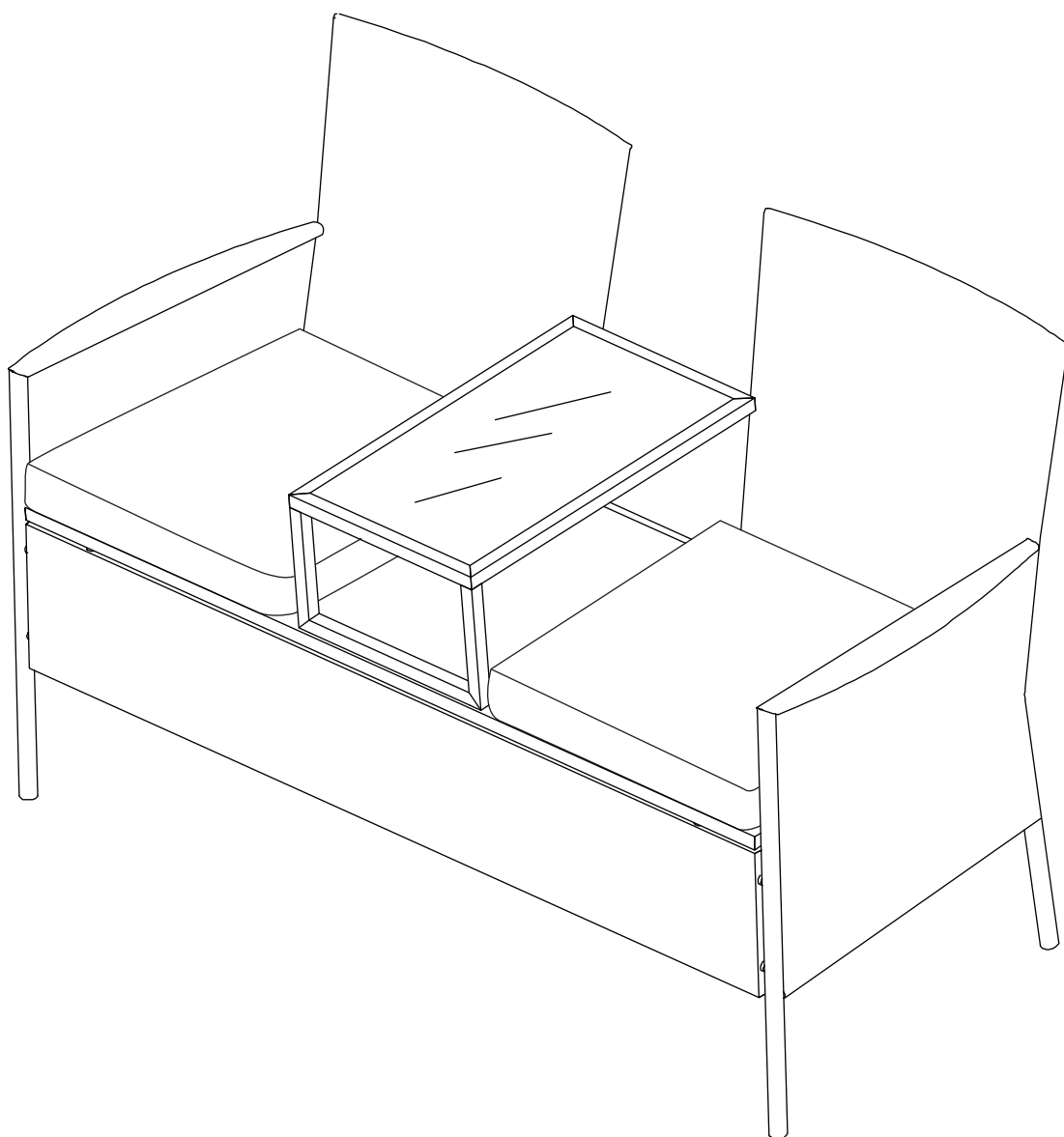


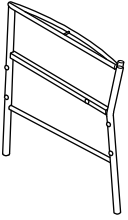
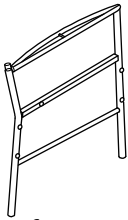
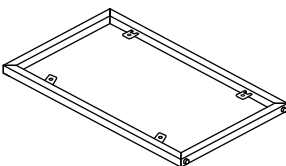
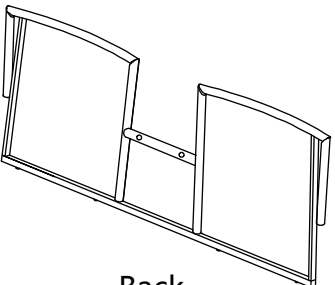
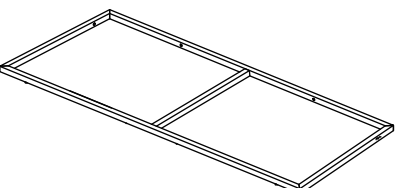
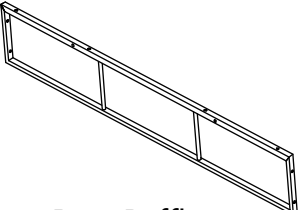
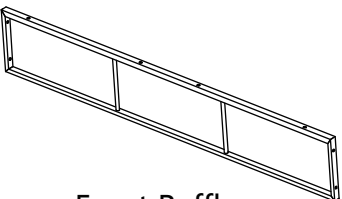
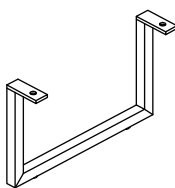
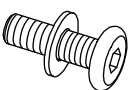
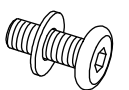
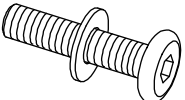
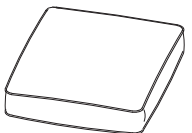
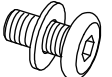

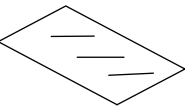

ASSEMBLY INSTRUCTIONS

■ Rattan Loveseat



Parts

Check and make sure you get the components on the list, contact us for any missing

1	 R	1PC	2	 L	1PC	
3	 Tea Table Frame	1PC	4	 Back	1PC	
5	 Set	1PC	6	 Rear Baffle	1PC	
7	 Front Baffle	1PC	8	 Tea Table Support	1PC	
9	 11PCS	10	 8PCS	11	 2PCS	 2 pcs
12	 2PCS	13	 4PCS	14	 1PC	 1 pc

Tips: DO NOT tighten any screws until all the parts are put together.

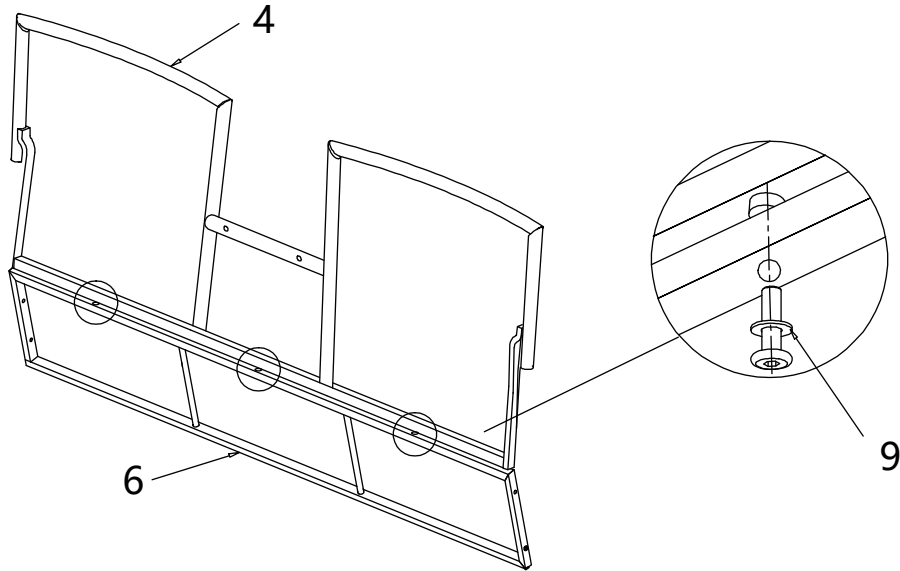


Assembly steps

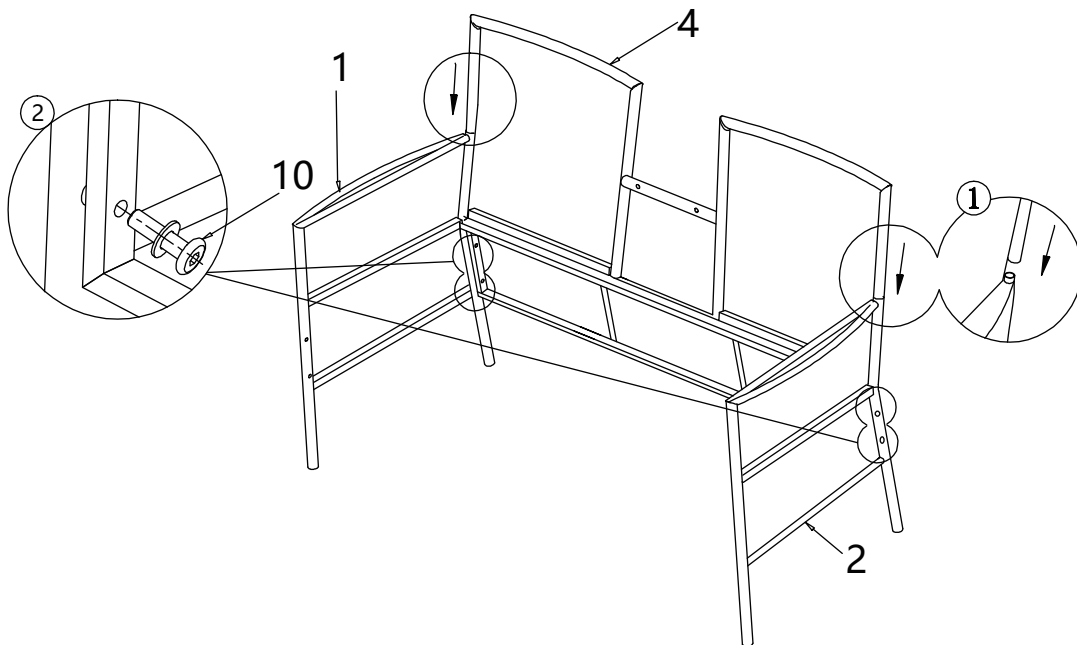
Tips: DO NOT tighten any screws until all the parts are put together.

Rattan Chair Assembly step

1



2



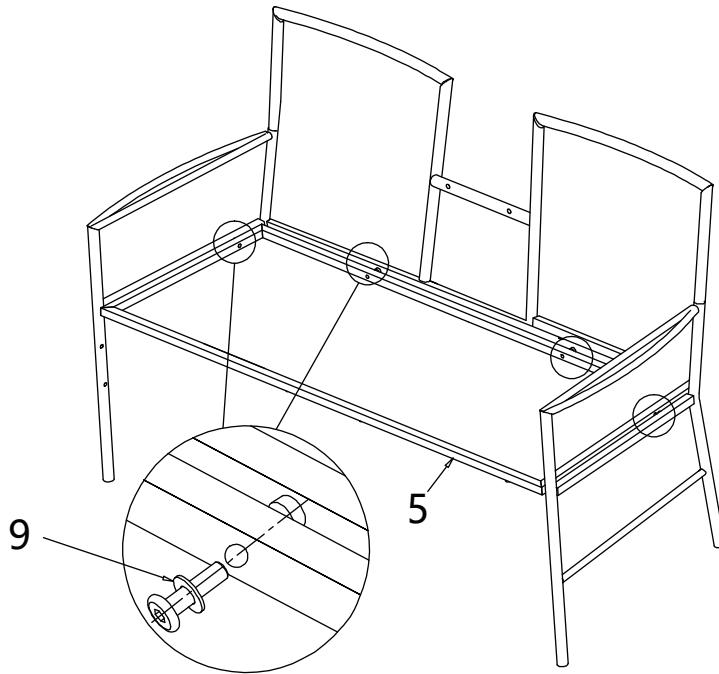
Notice:

Please do not place it in a humid environment for a long period of time.

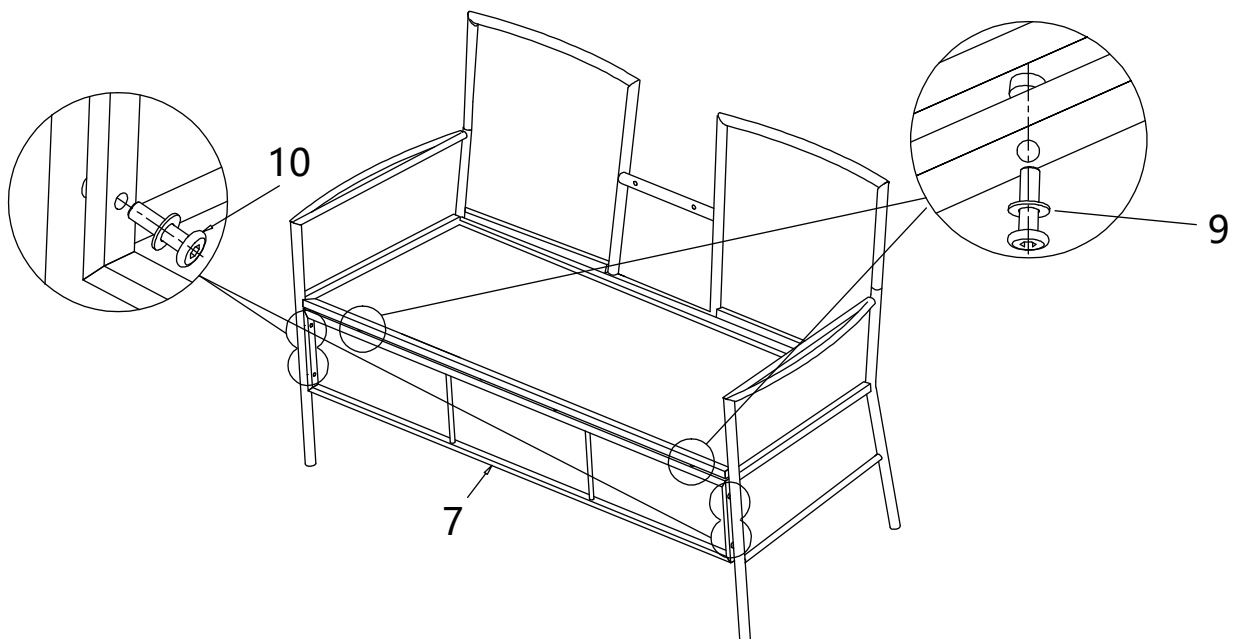
Assembly steps

Tips: DO NOT tighten any screws until all the parts are put together.

3



4



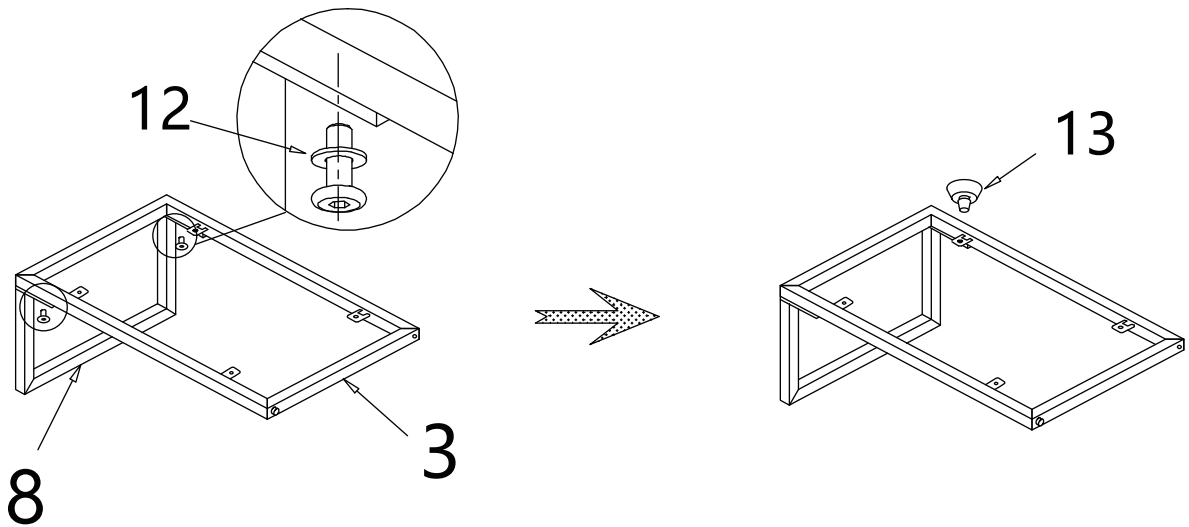
Notice:
Please do not place it in a humid
environment for a long period of time.

Assembly steps

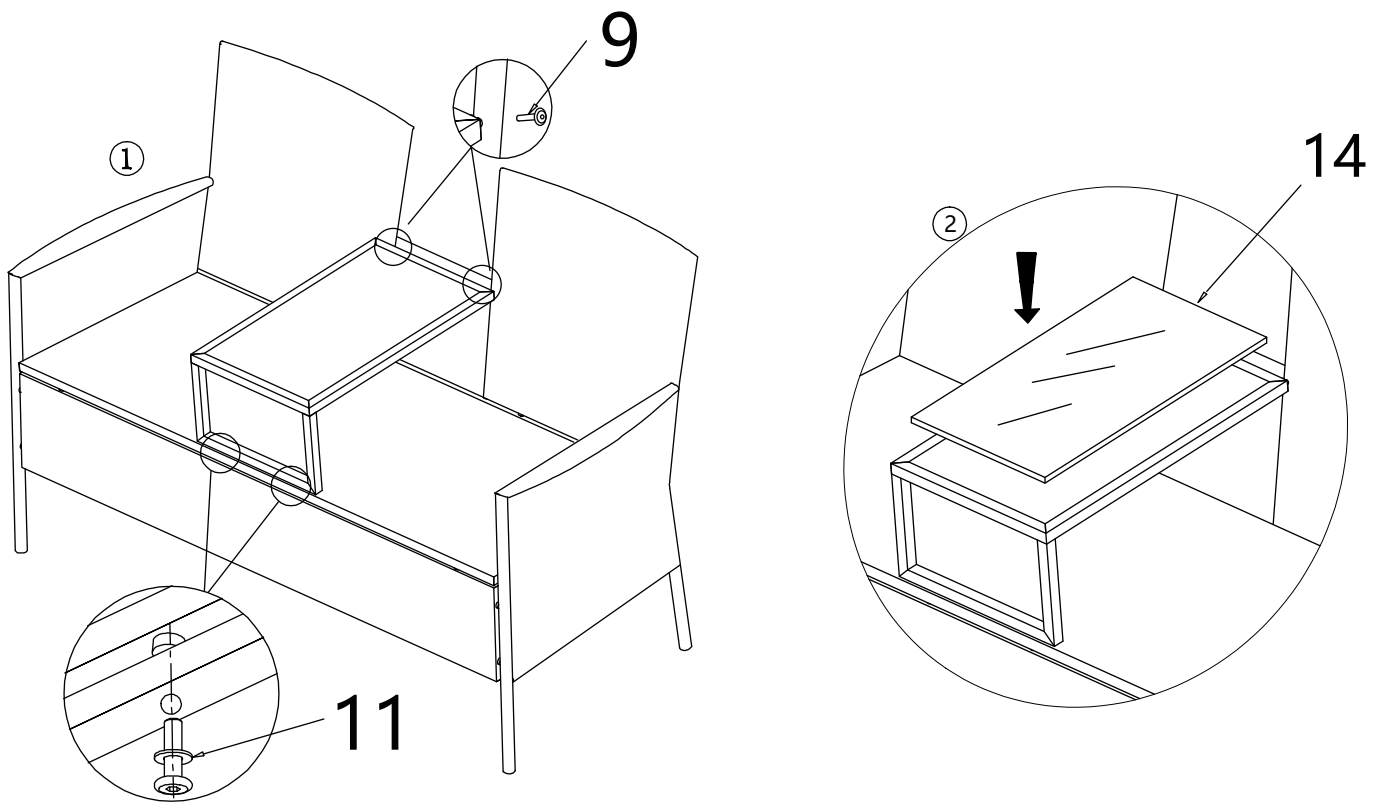
Tips: DO NOT tighten any screws until all the parts are put together.

Rattan Tea Table Assembly step

5



6



Notice:
Please do not place it in a humid
environment for a long period of time.