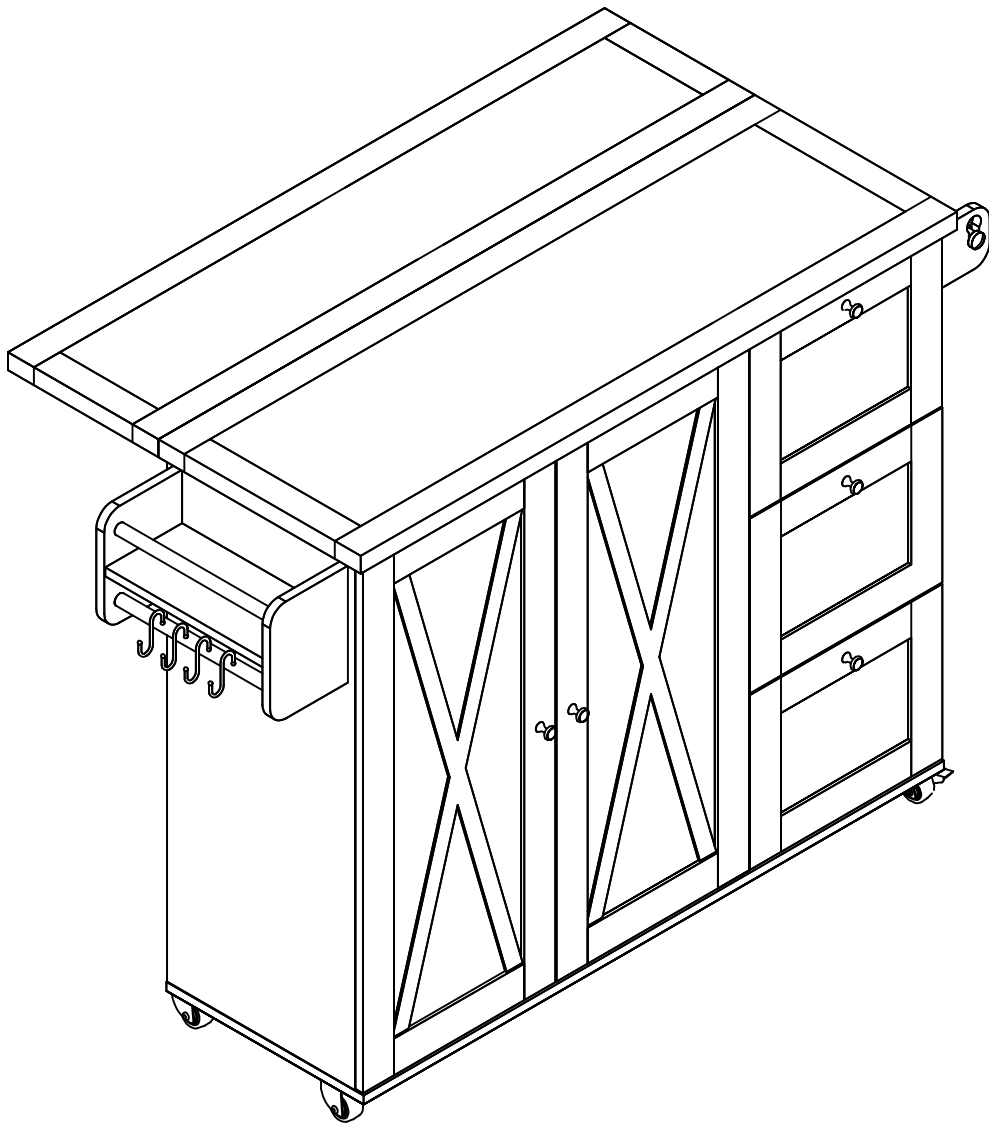
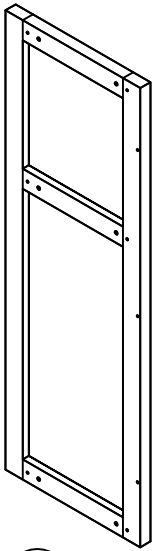


Installation Instruction

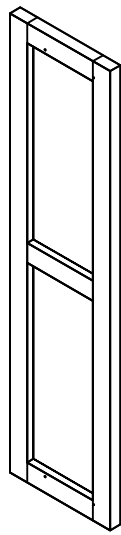
Please don't tighten the screws completely and go back later for a final tightening of all the screws after pieces are aligned with each other.



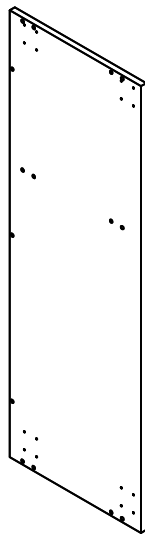
HARDWARE LIST



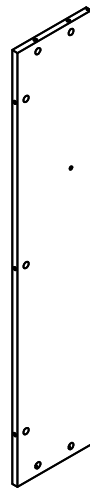
①
1PC



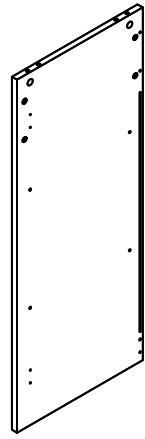
②
1PC



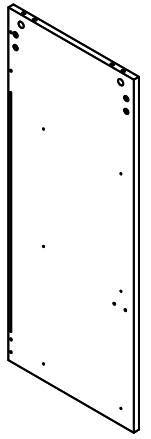
③
1PC



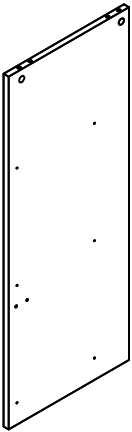
④
1PC



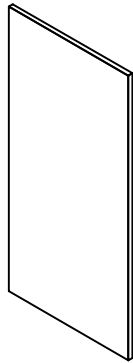
⑤
1PC



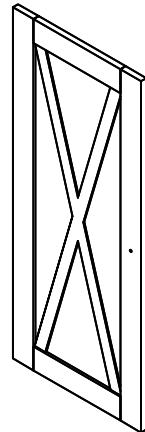
⑥
1PC



⑦
1PC



⑧
2PCS



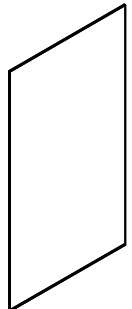
⑨
2PCS



⑩
1PC



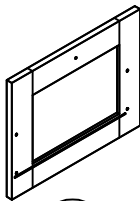
⑪
2PCS



⑫
3PCS



⑬
1PC



⑭
3PCS



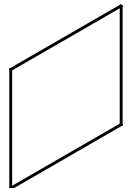
⑮
3PCS



⑯
3PCS



⑰
3PCS



⑱
3PCS



⑲
2PCS



⑳
1PC



㉑
2PCS



㉒
1PC



㉓
2PCS



㉔
1PC

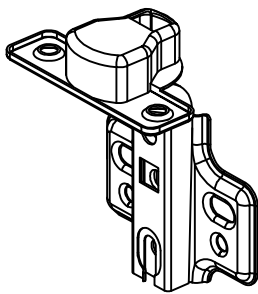
PARTA LIST



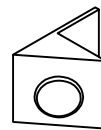
Ax18PCS



Bx20PCS



Cx4PCS

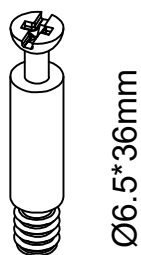


Dx12PCS



Ex60PCS

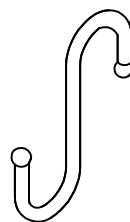
F



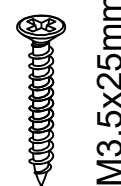
F1x37PCS



F2x37PCS



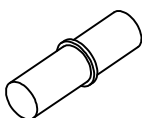
Gx4PCS



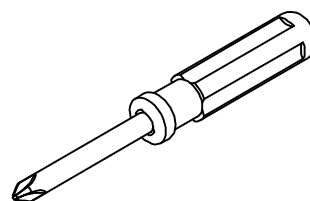
Hx14PCS



Ix24PCS

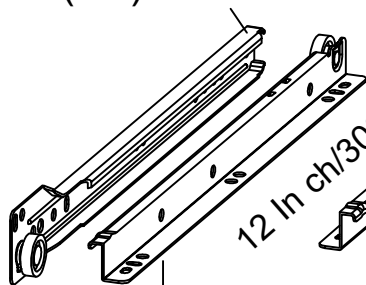


Jx8PCS

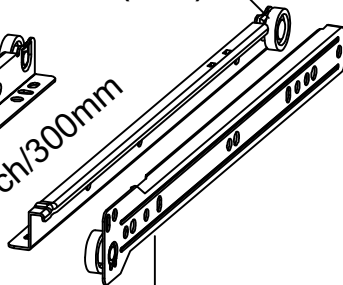


K1(CL)x3PCS

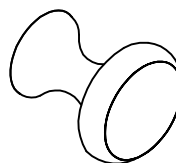
K2(DR)x3PCS



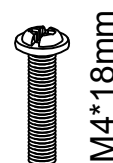
K1(DL)x3PCS



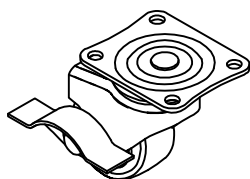
K2(CR)x3PCS



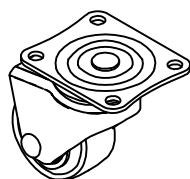
L1x5PCS



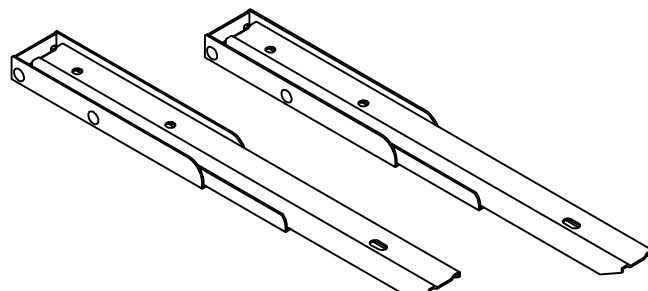
L2x5PCS



M1x2PCS



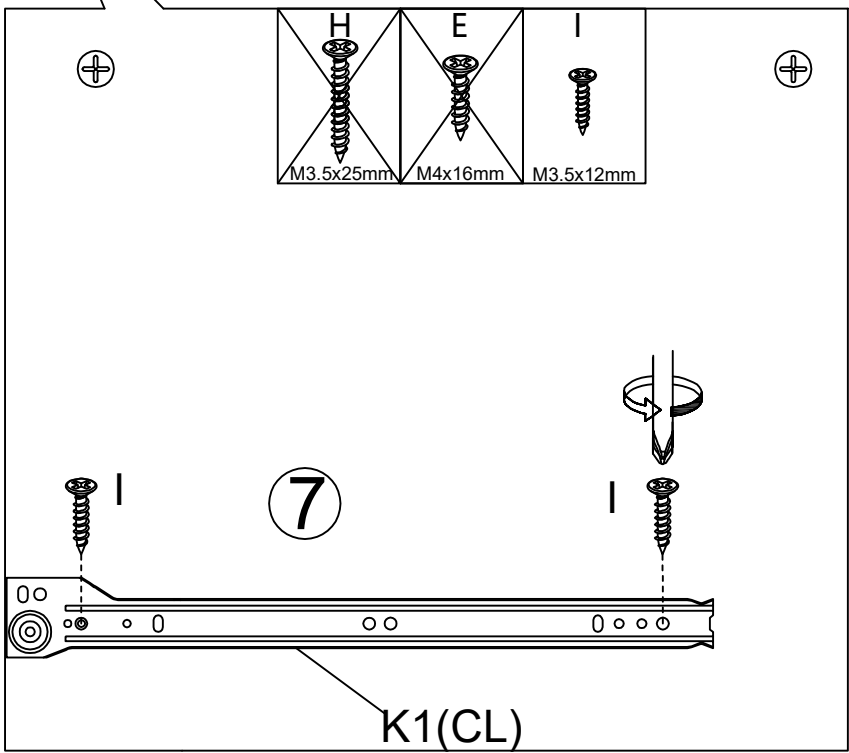
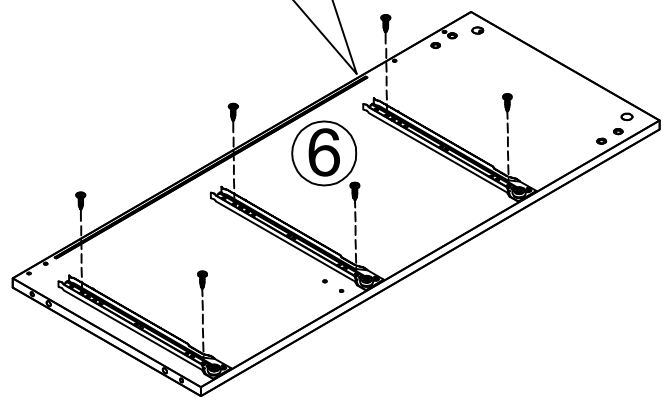
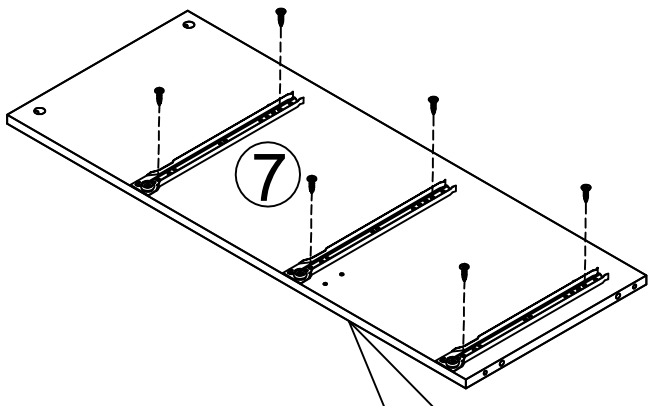
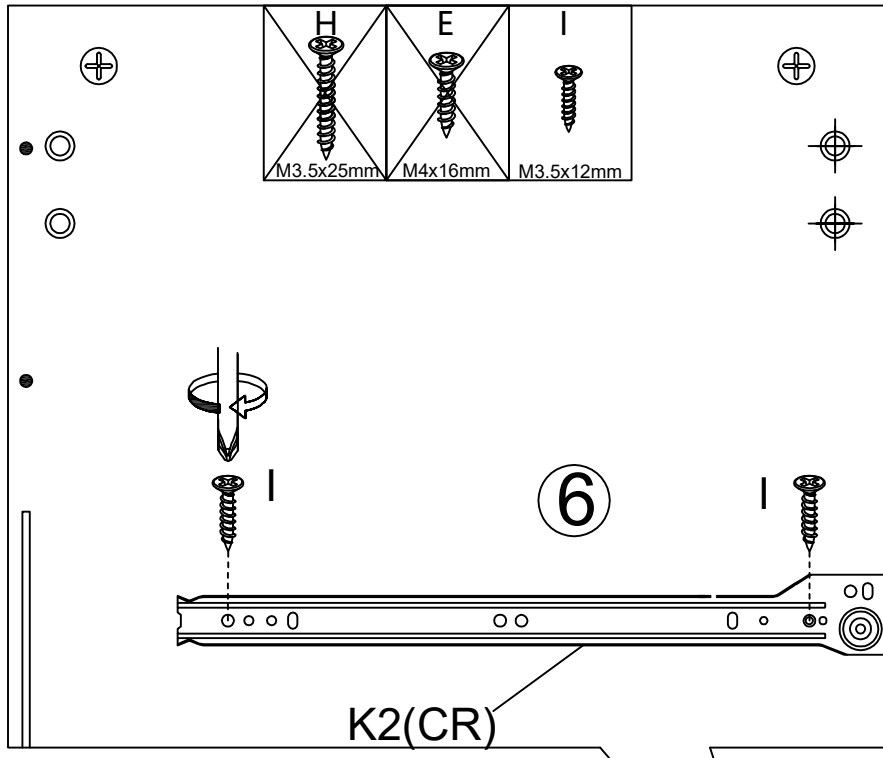
M2x2PCS



Nx2PCS

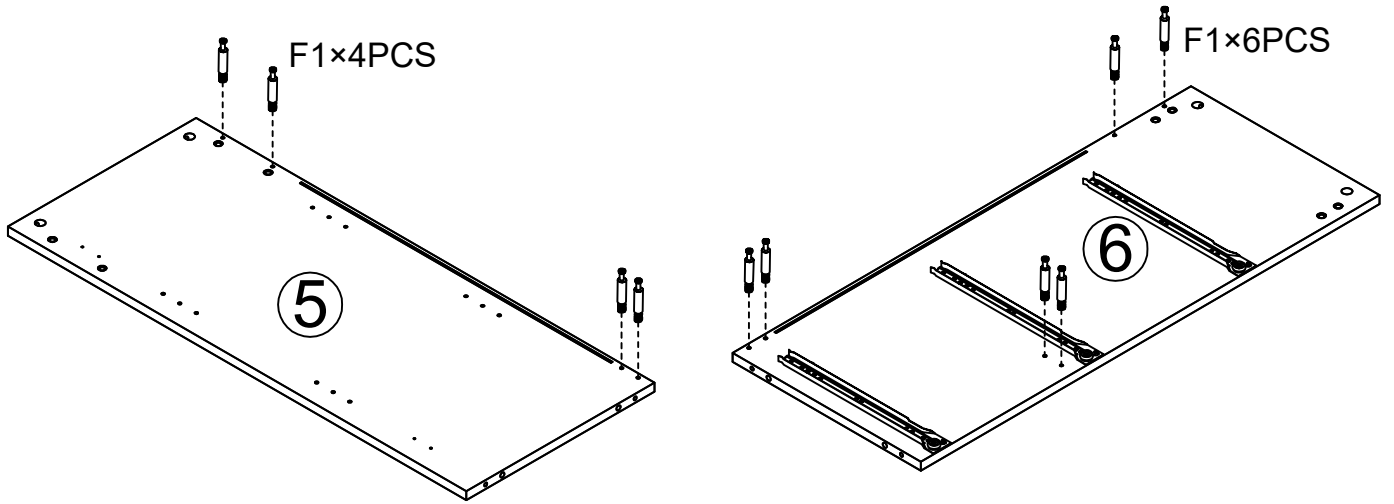
1

- I × 12PCS
- K1(CL) × 3PCS
- K2(CR) × 3PCS
- ⑥ × 1PC
- ⑦ × 1PC



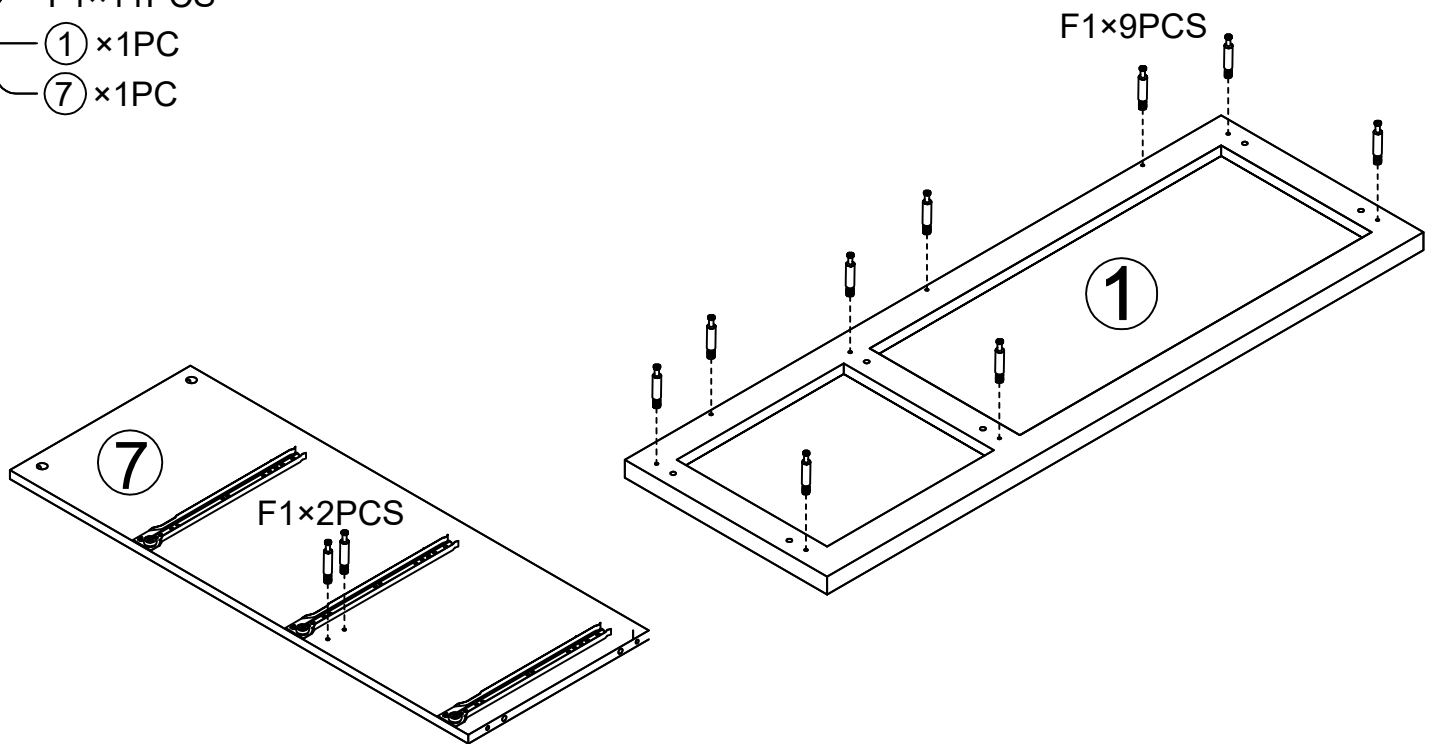
2

- F1×10PCS
- ⑤ ×1PC
- ⑥ ×1PC



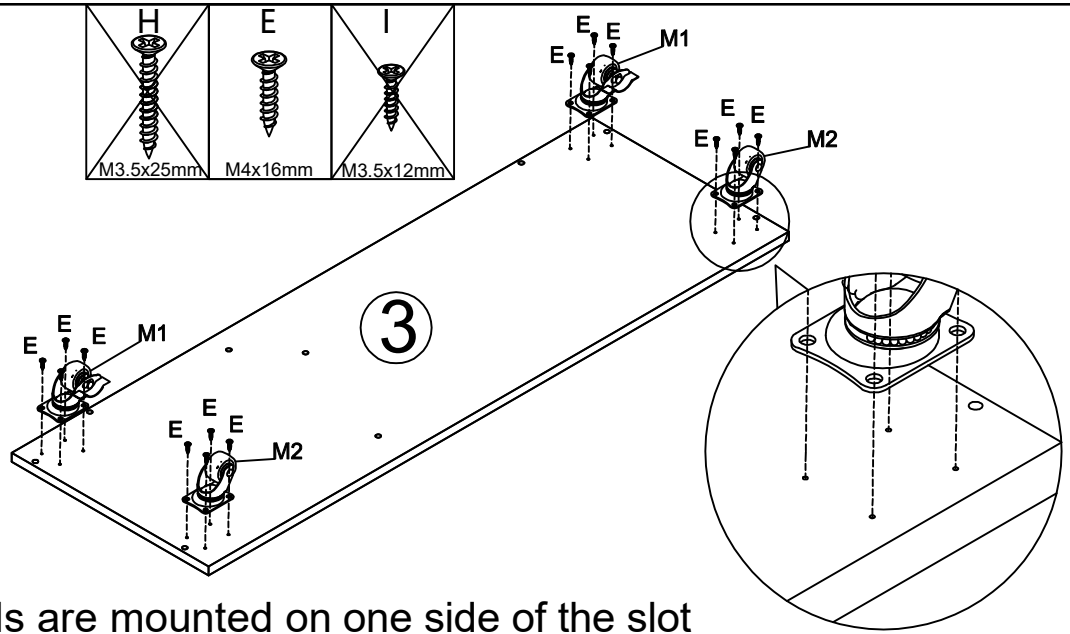
3

- F1×11PCS
- ① ×1PC
- ⑦ ×1PC



4

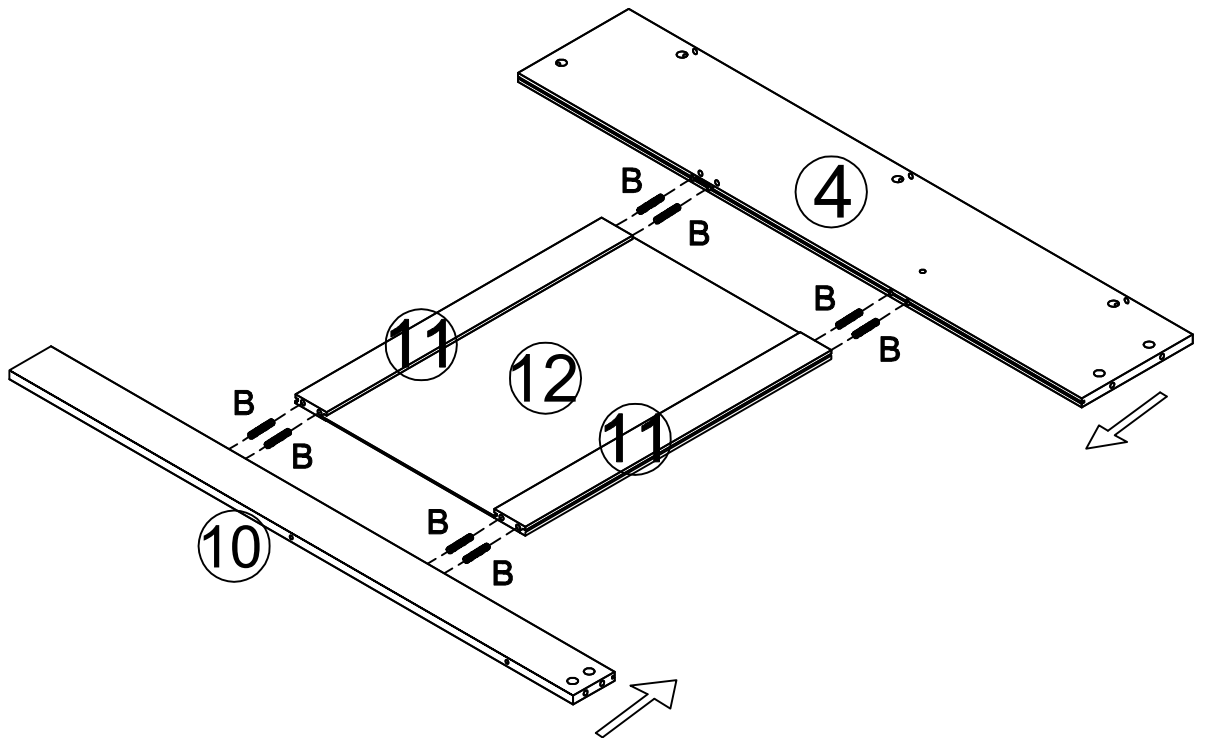
- E×16PCS
- M1×2PCS
- M2×2PCS
- ③×1PC



Note: "M2" wheels are mounted on one side of the slot

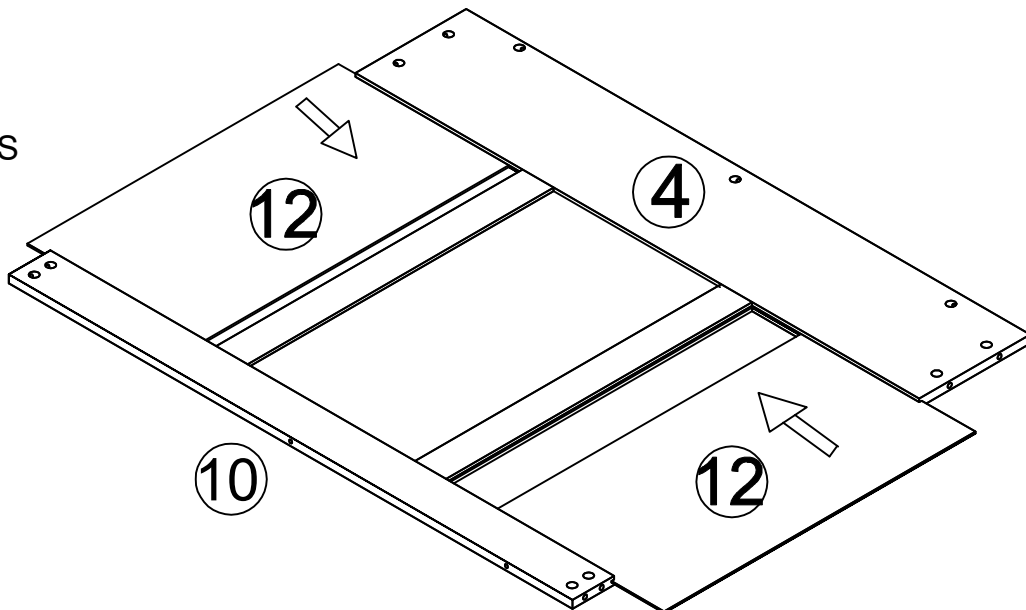
5

- B×8PCS
- ④×1PC
- ⑩×1PC
- ⑪×2PCS
- ⑫×1PC



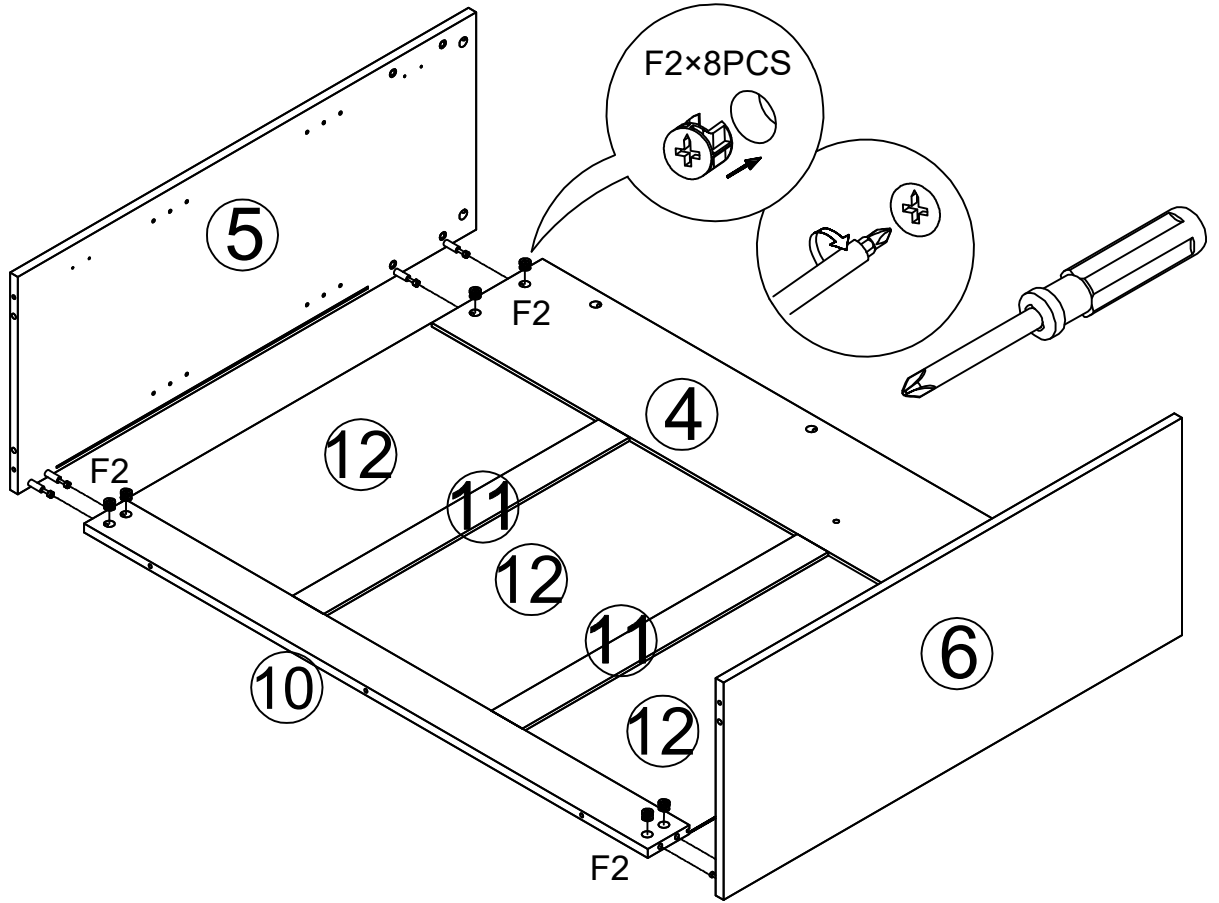
6

- ⑫×2PCS



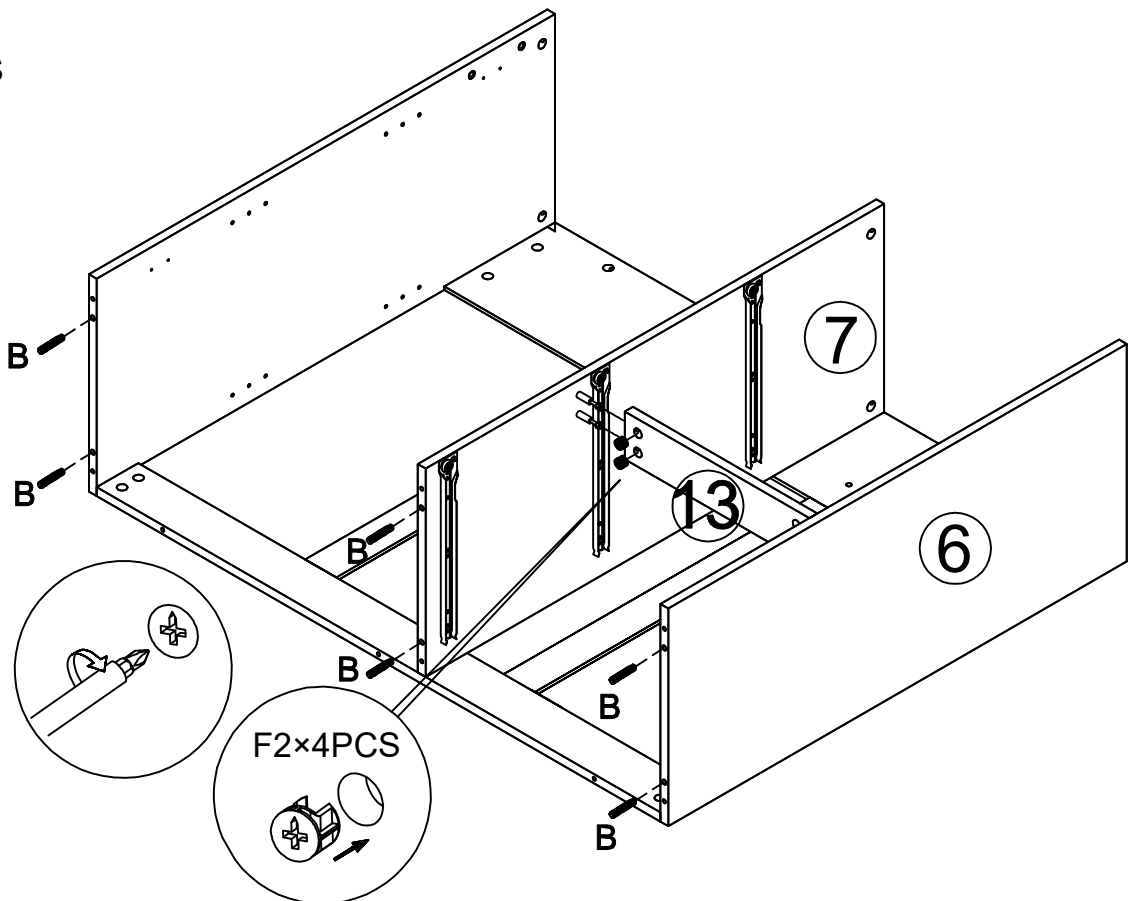
7

- F2x8PCS
- ⑤ ×1PC
- ⑥ ×1PC



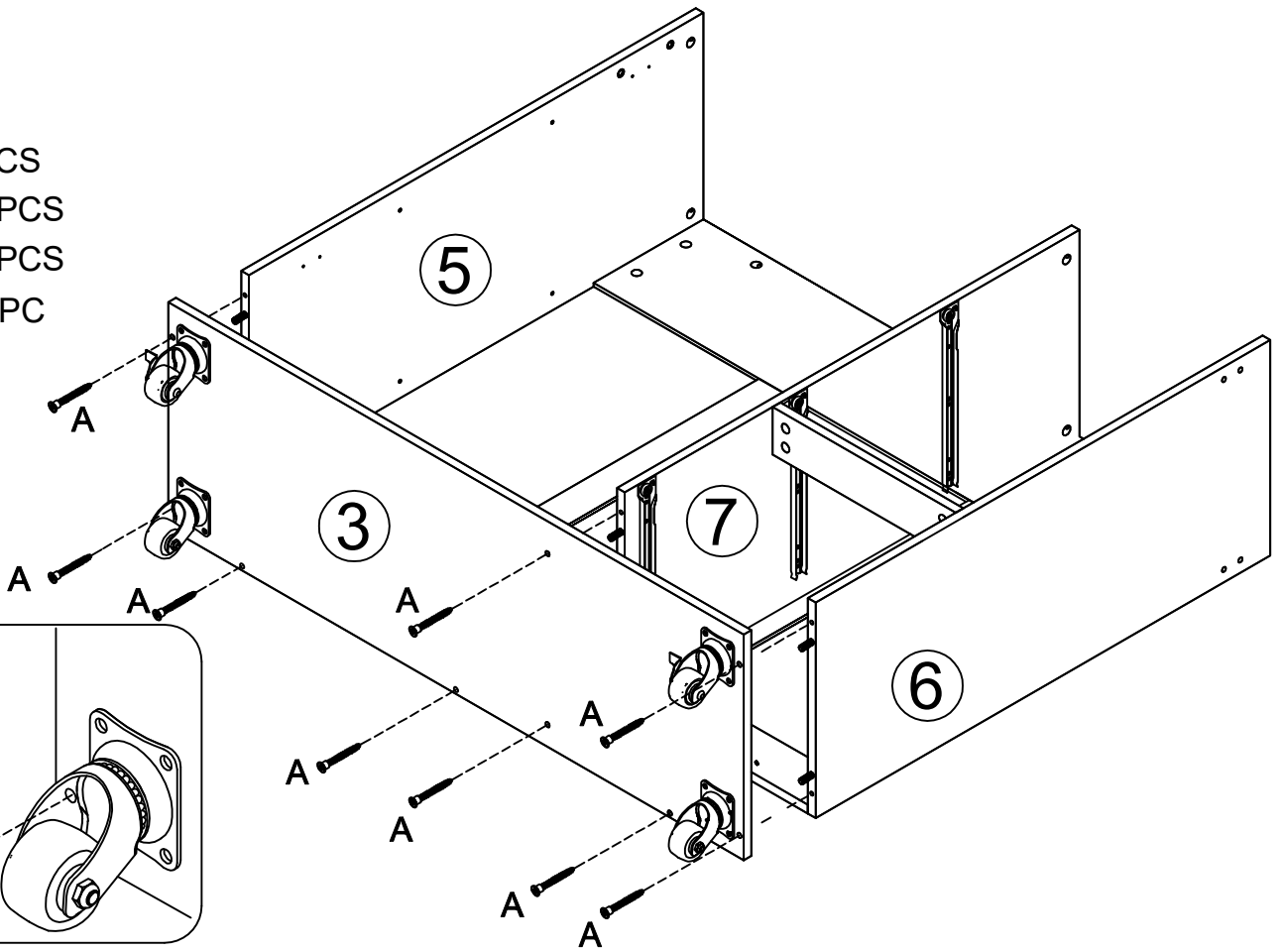
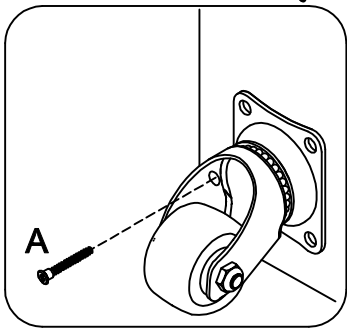
8

- F2x4PCS
- Bx6PCS
- ⑦ ×1PC
- ⑬ ×1PC



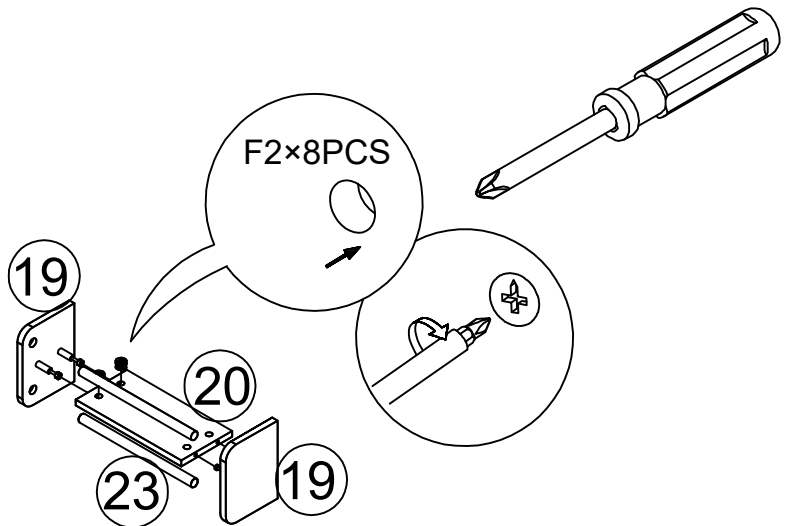
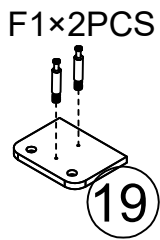
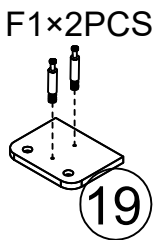
9

- Ax9PCS
- M1x2PCS
- M2x2PCS
- ③ x1PC



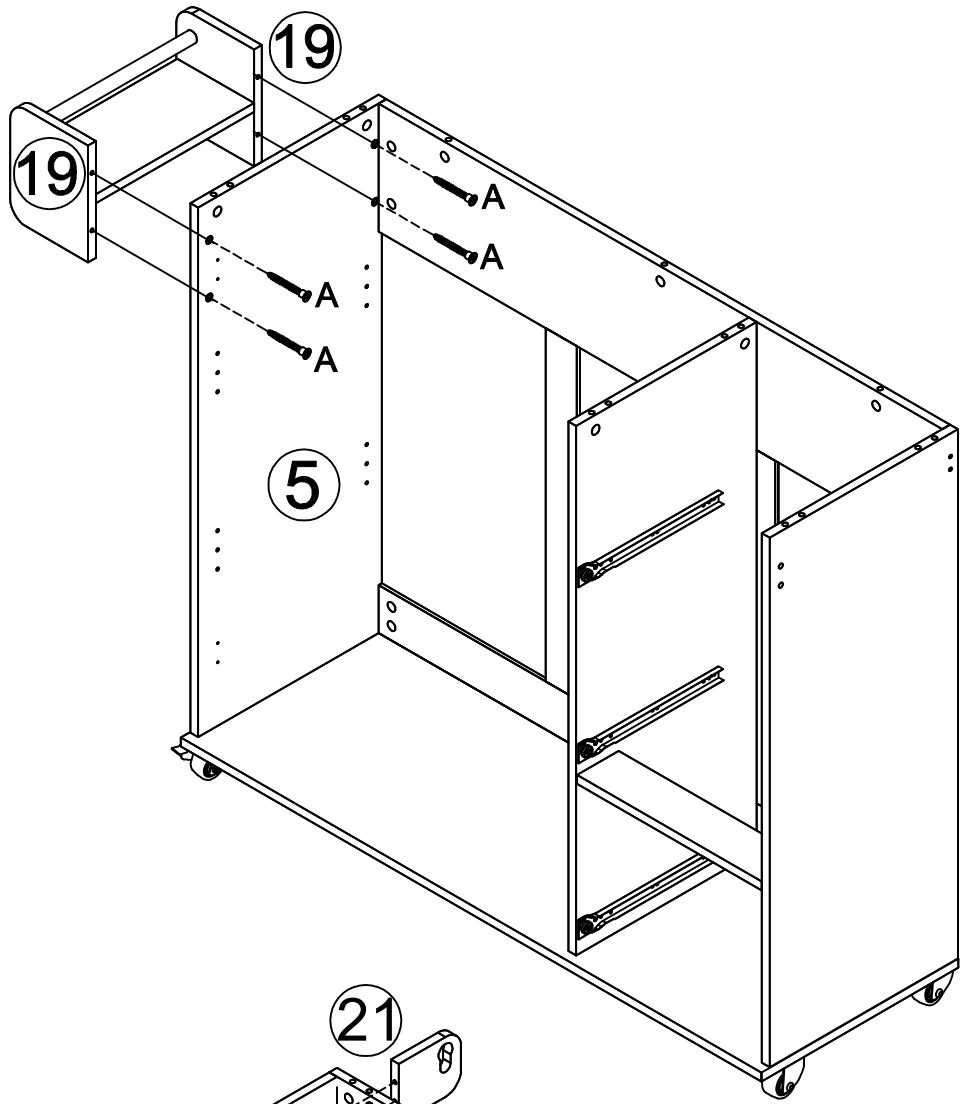
10

- F1x4PCS
- F2x4PCS
- ⑱ x2PCS
- ⑳ x1PC
- ㉓ x2PCS



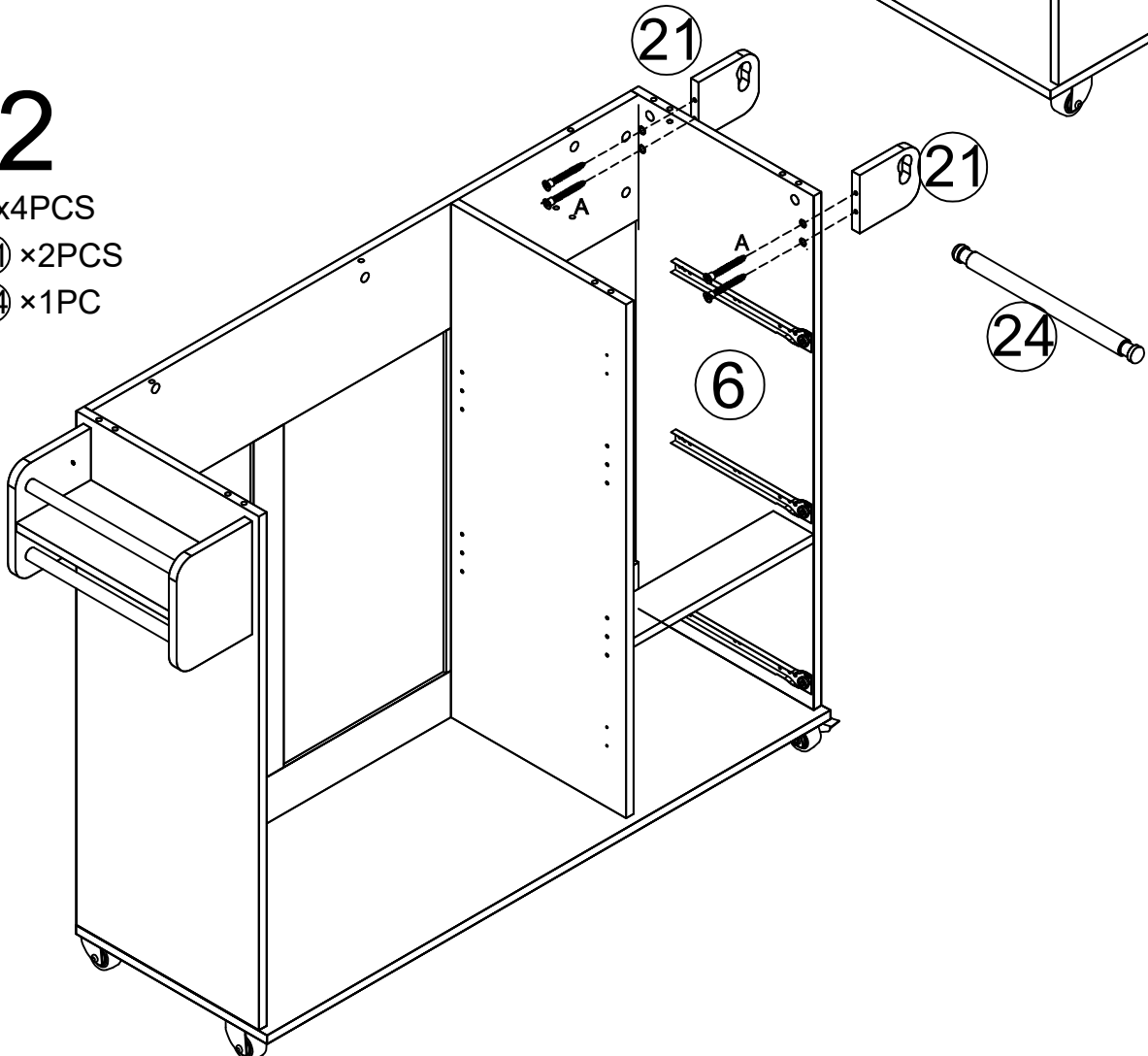
11

- Ax4PCS
- 19 x2PCS



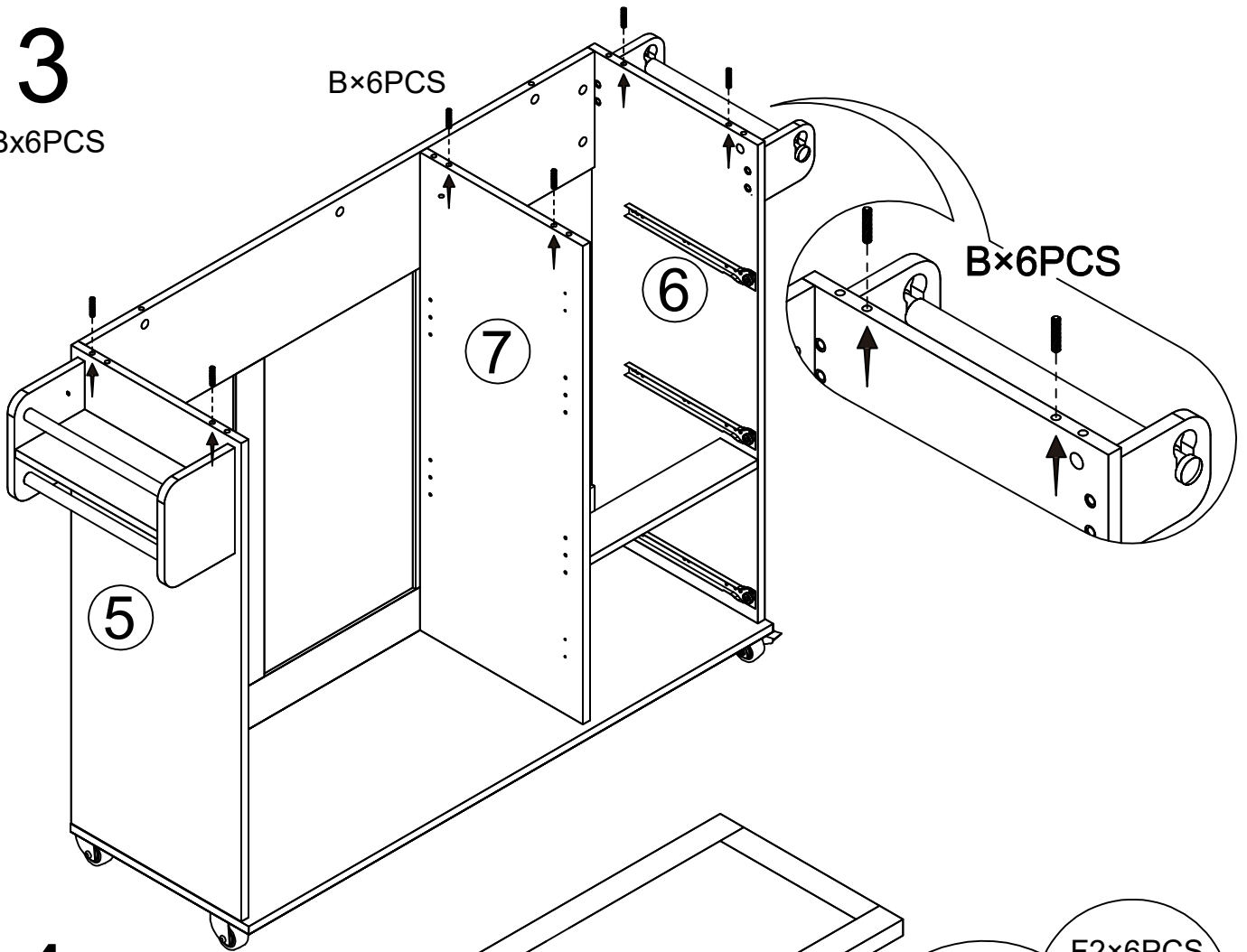
12

- Ax4PCS
- 21 x2PCS
- 24 x1PC



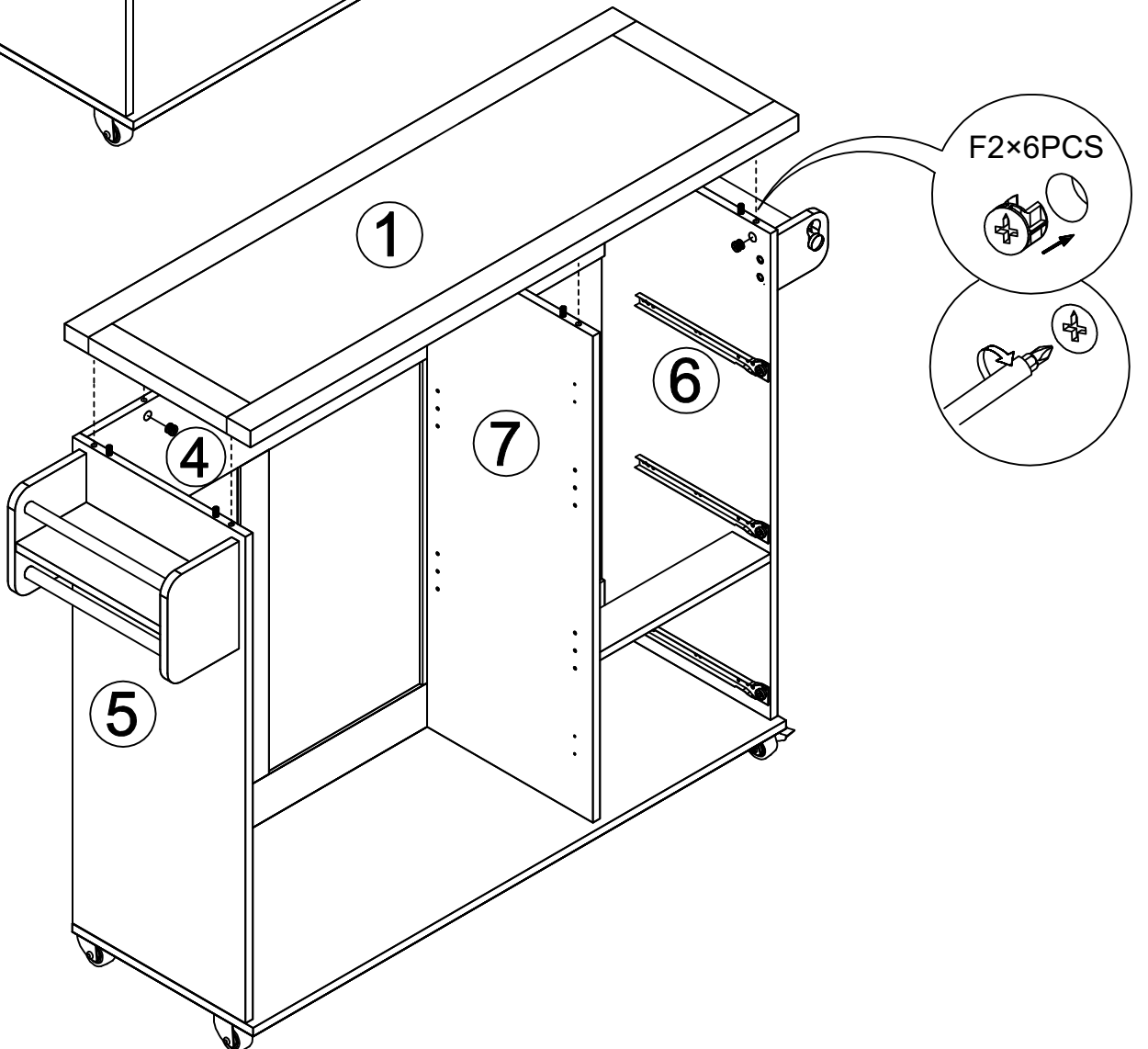
13

— Bx6PCS



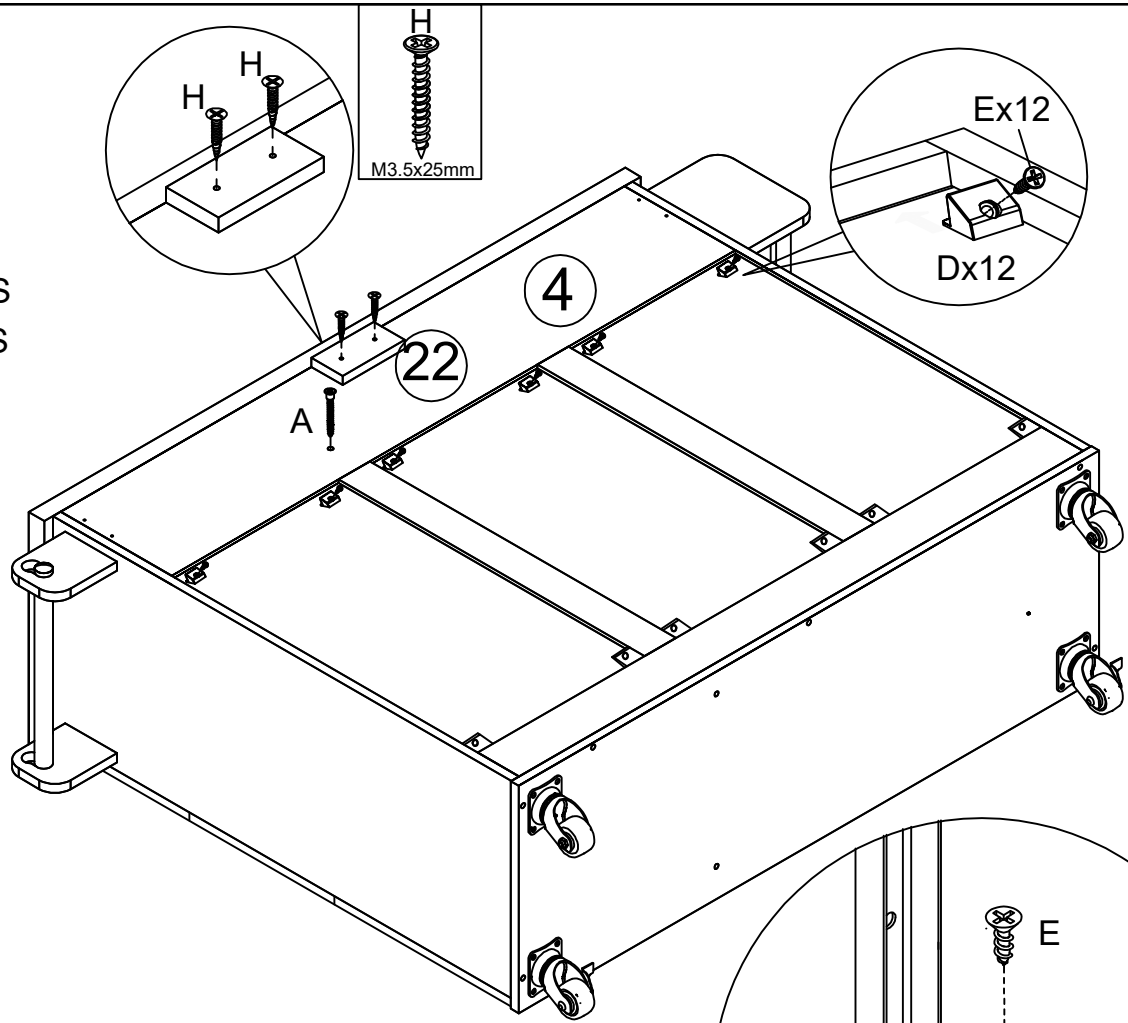
14

F2x6PCS
① × 1PC



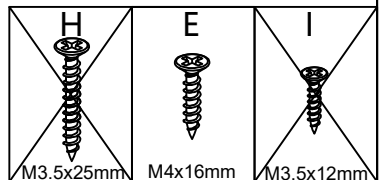
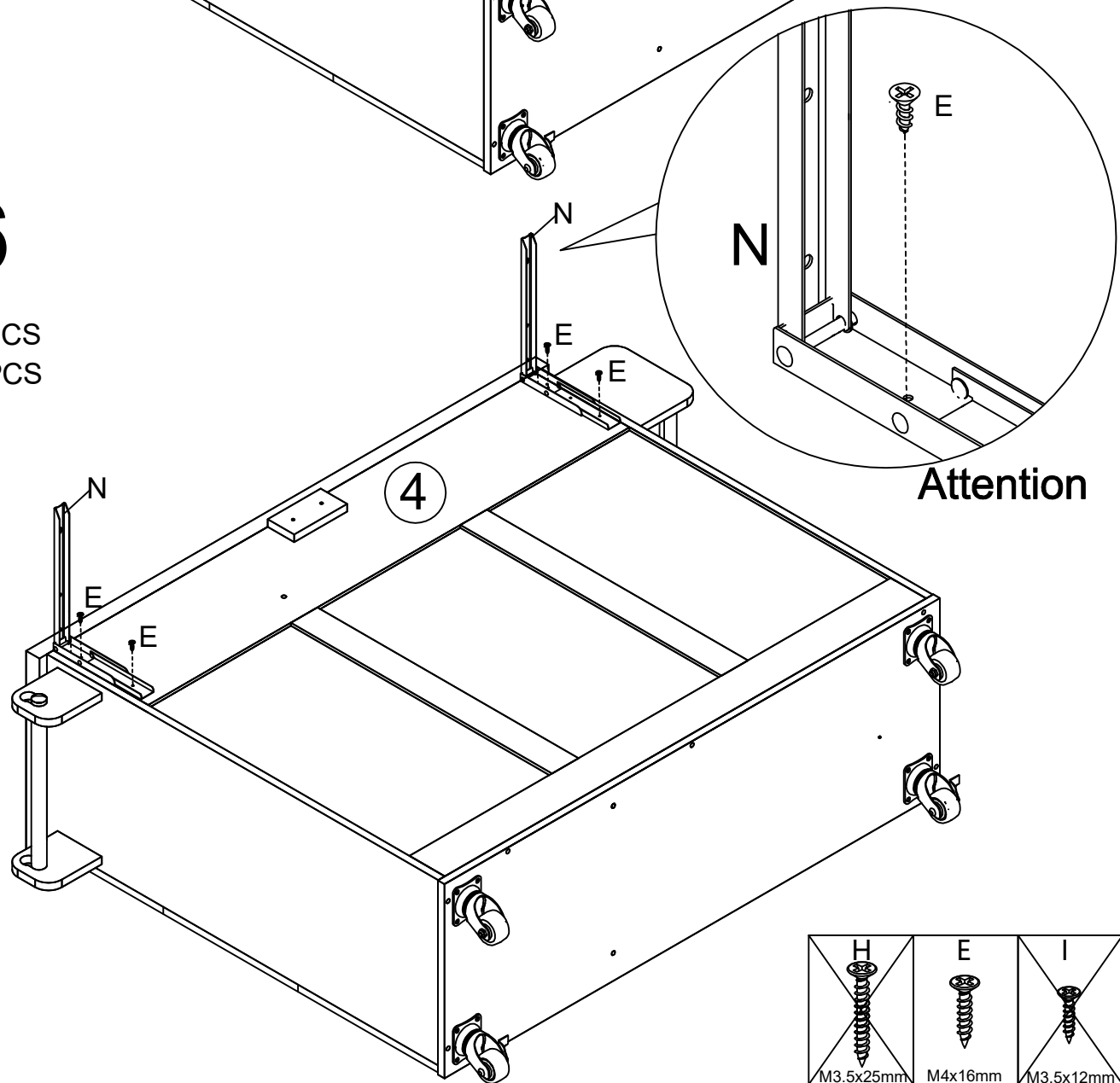
15

- Ax1PC
- Hx2PCS
- Dx12PCS
- Ex12PCS
- 22 x1PC



16

- Ex4PCS
- Nx2PCS



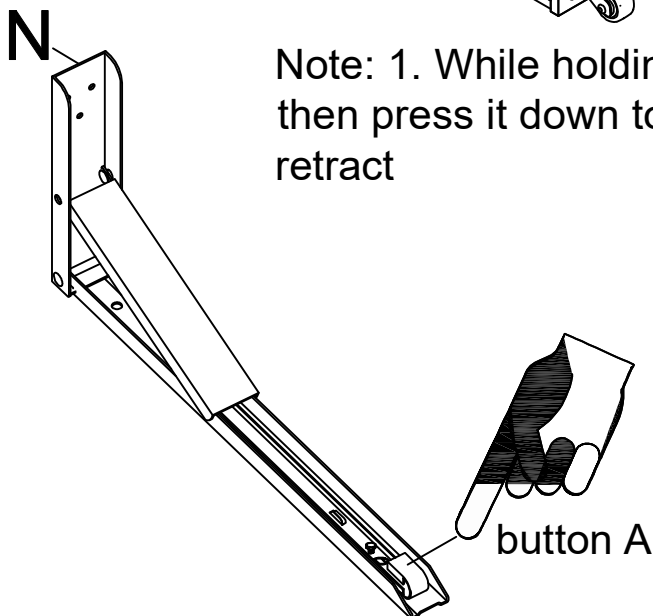
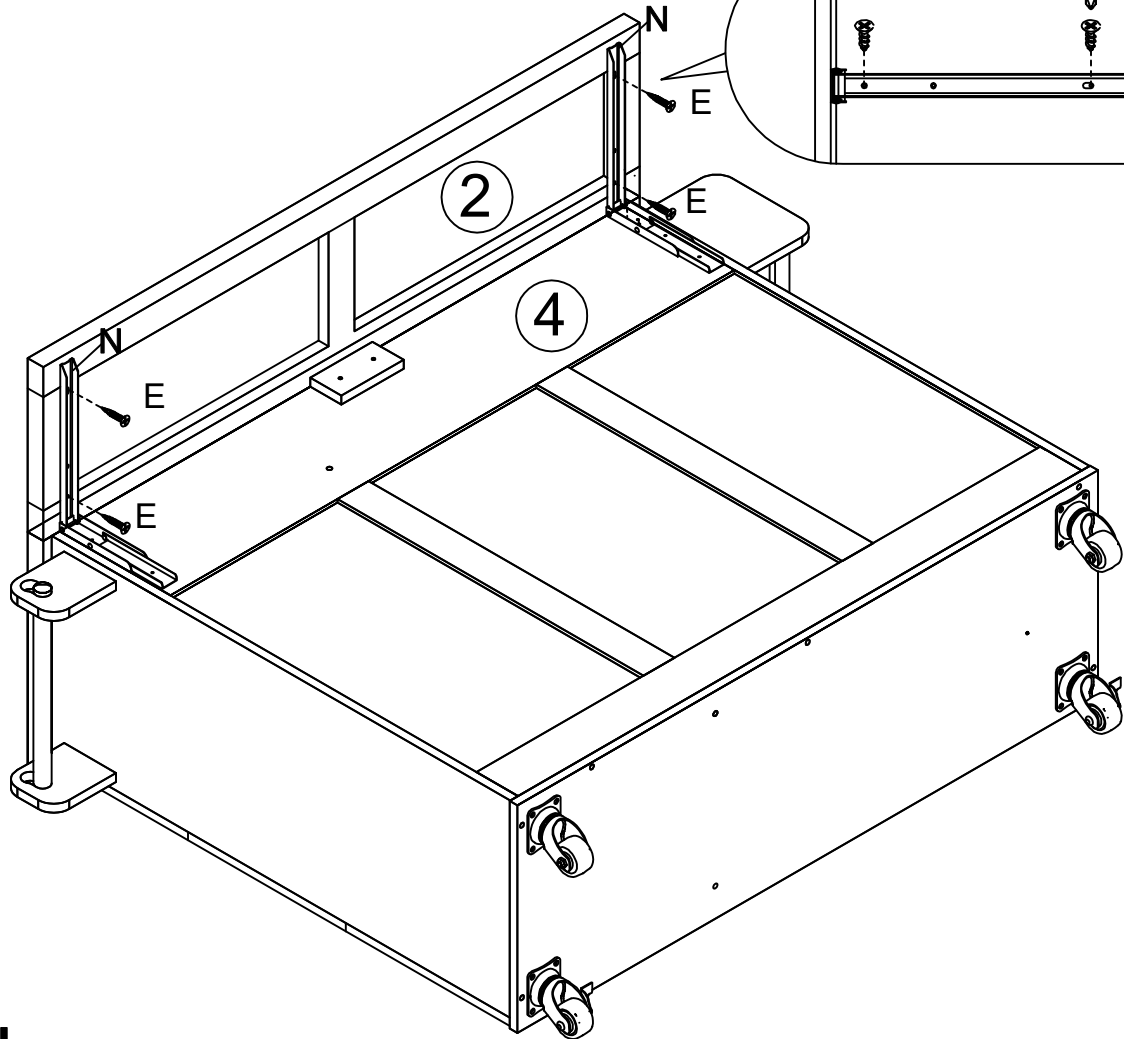
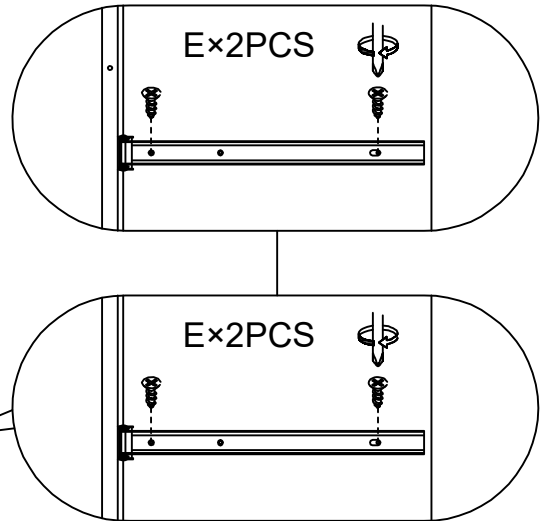
17

Ex4PCS
② x1PC

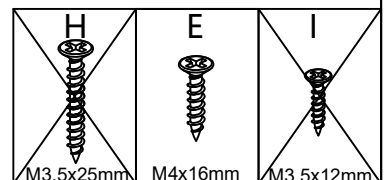


Attention

Note: Press and hold with your thumb.

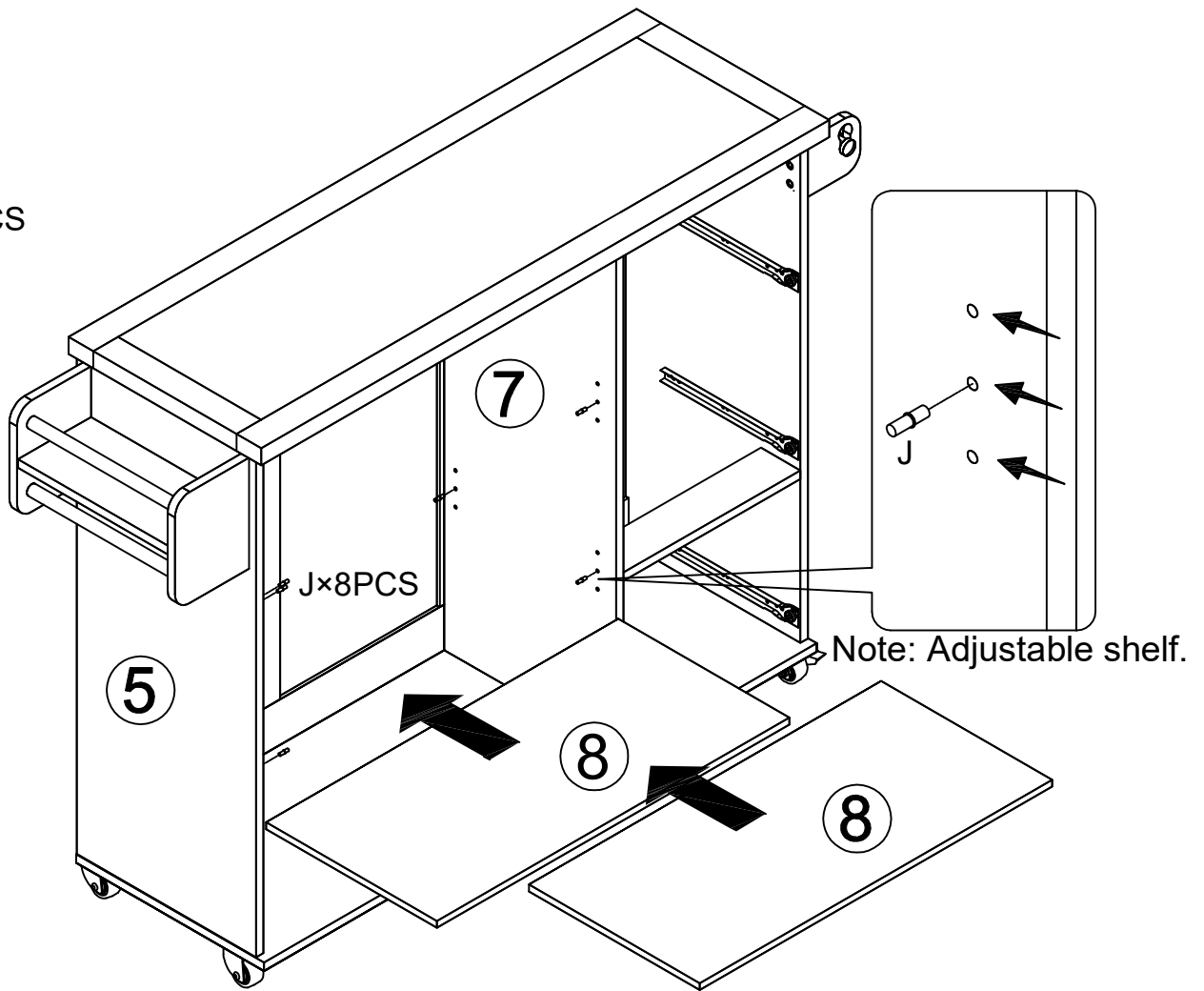


Note: 1. While holding down the A key, lift it up slightly, then press it down to make the No. 2 board extend and retract



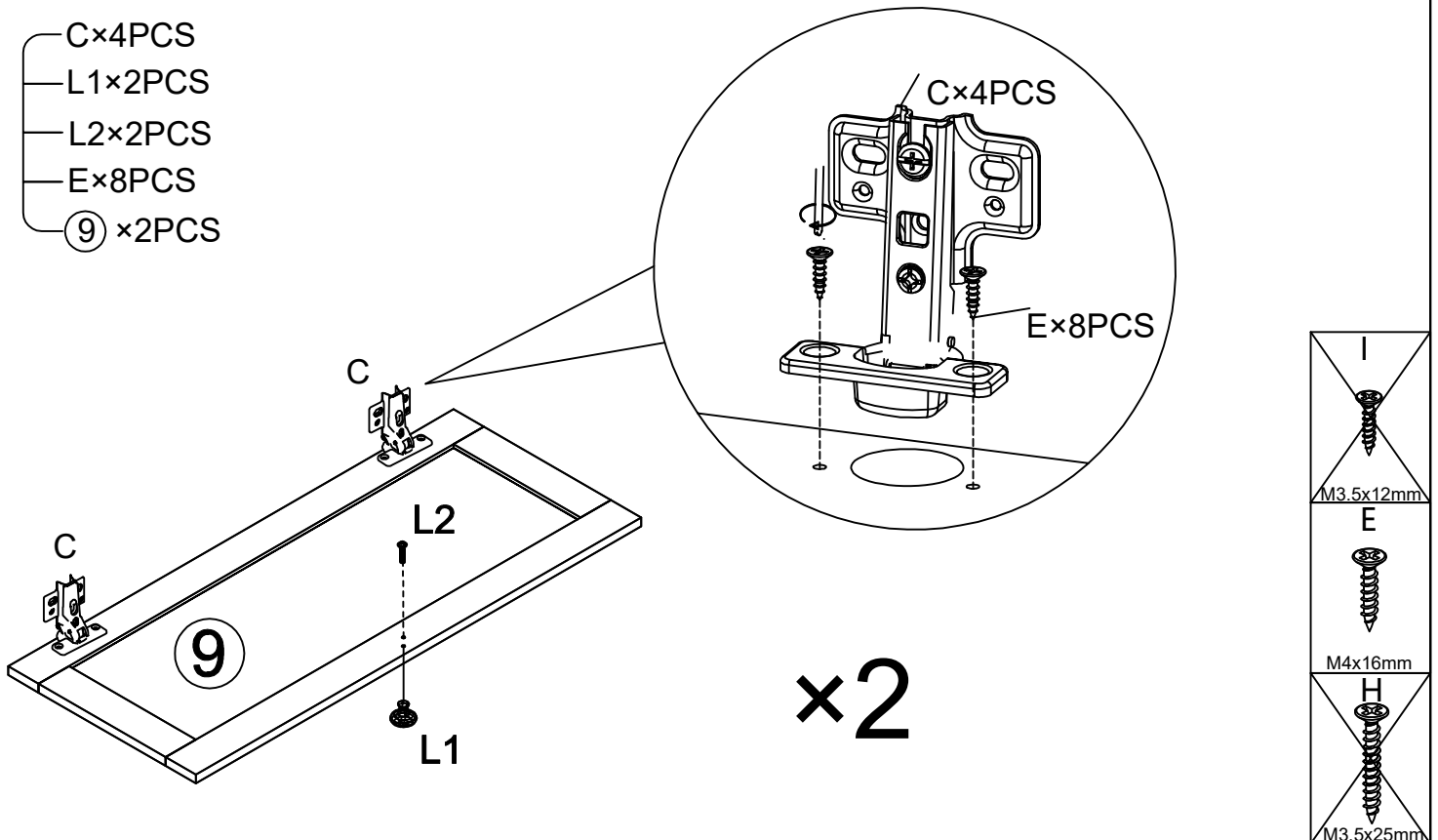
18

Jx8PCS
 (8) x2PCS



19

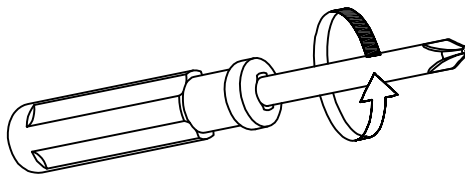
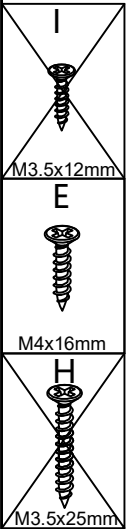
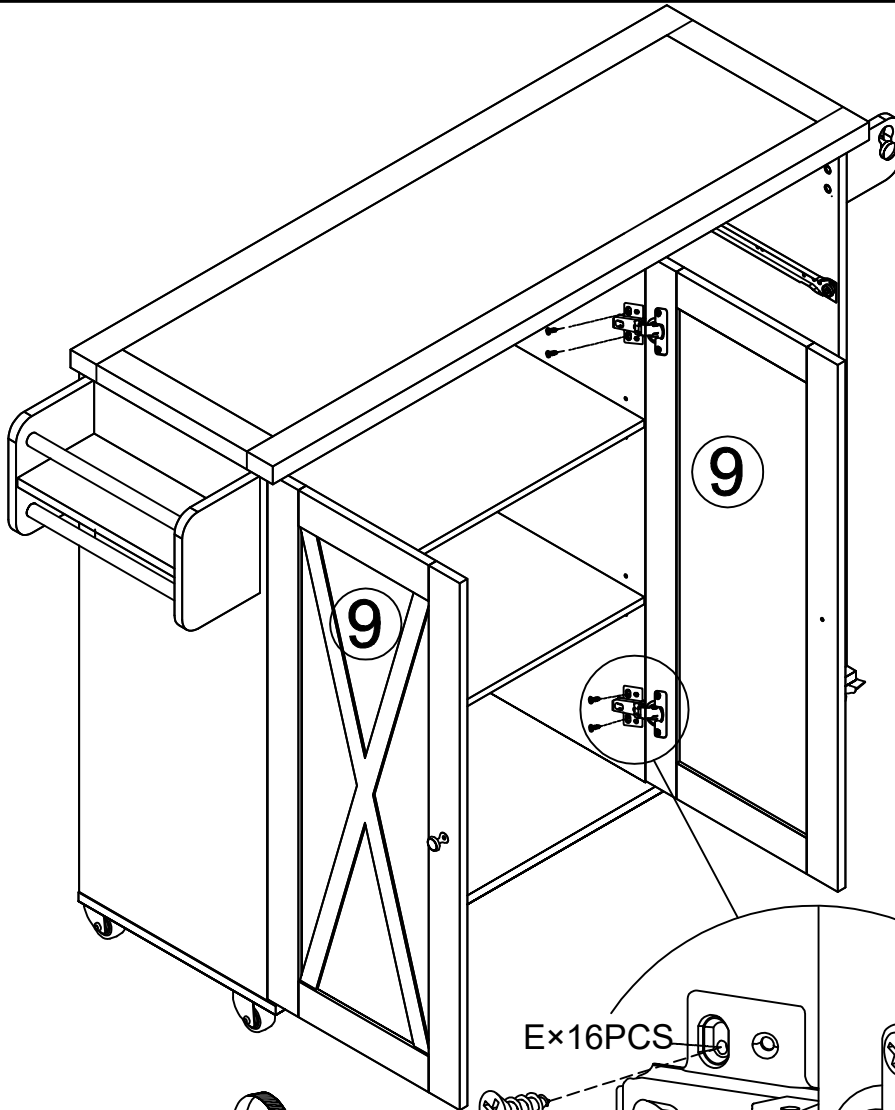
Cx4PCS
 L1x2PCS
 L2x2PCS
 Ex8PCS
 (9) x2PCS



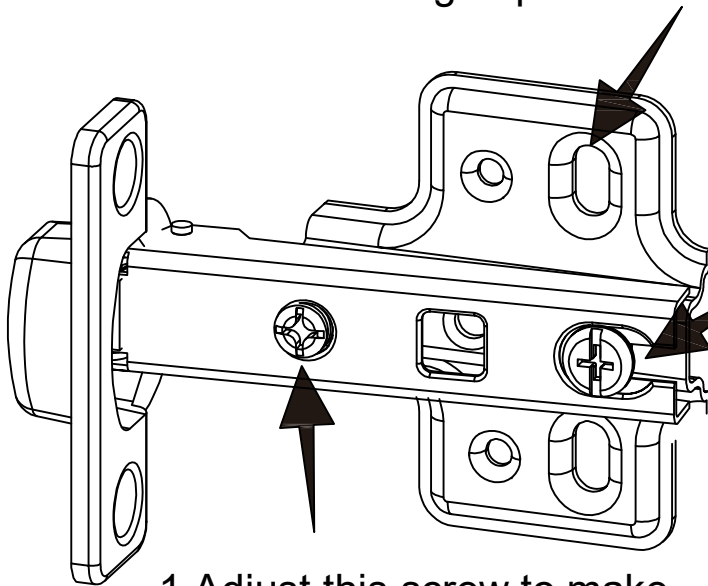
20

E×16PCS

⑨ ×2PCS



3. Adjust this screw to make the door go up or down



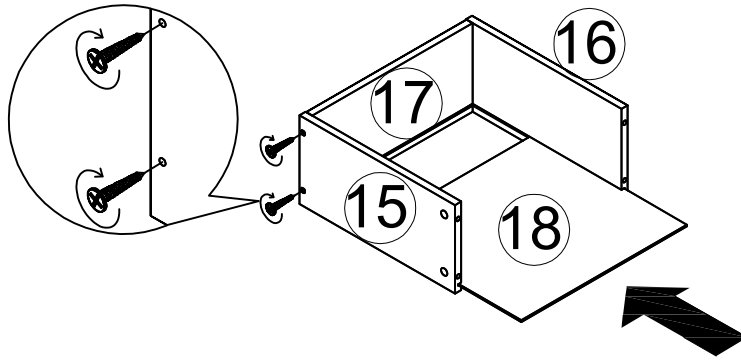
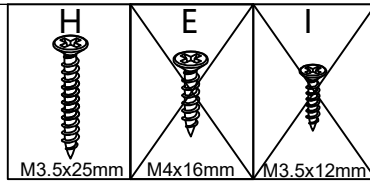
1. Adjust this screw to make the door turn left or right

2. Adjust this screw to make the door forward or backward

Note: After the door panel is installed, if the gap of the door is too large or too small, you can adjust this screw to adjust the gap of the door.

21

- Hx12PCS
- ⑮×3PCS
- ⑯×3PCS
- ⑰×3PCS
- ⑱×3PCS

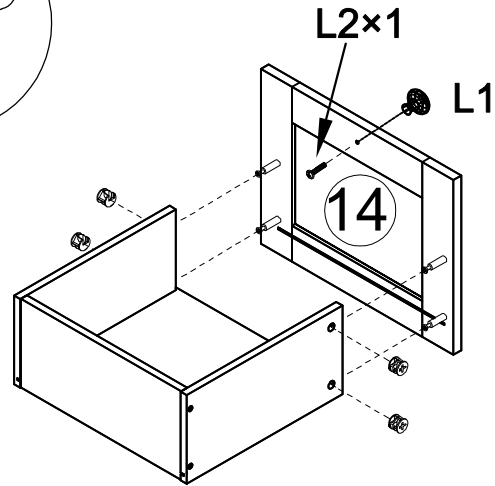
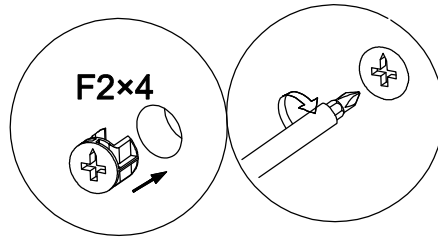


×3

Repeat the steps to install the other three drawers

22

- F1×12PCS
- F2×12PCS
- L1×3PCS
- L2×3PCS
- ⑭×3PCS

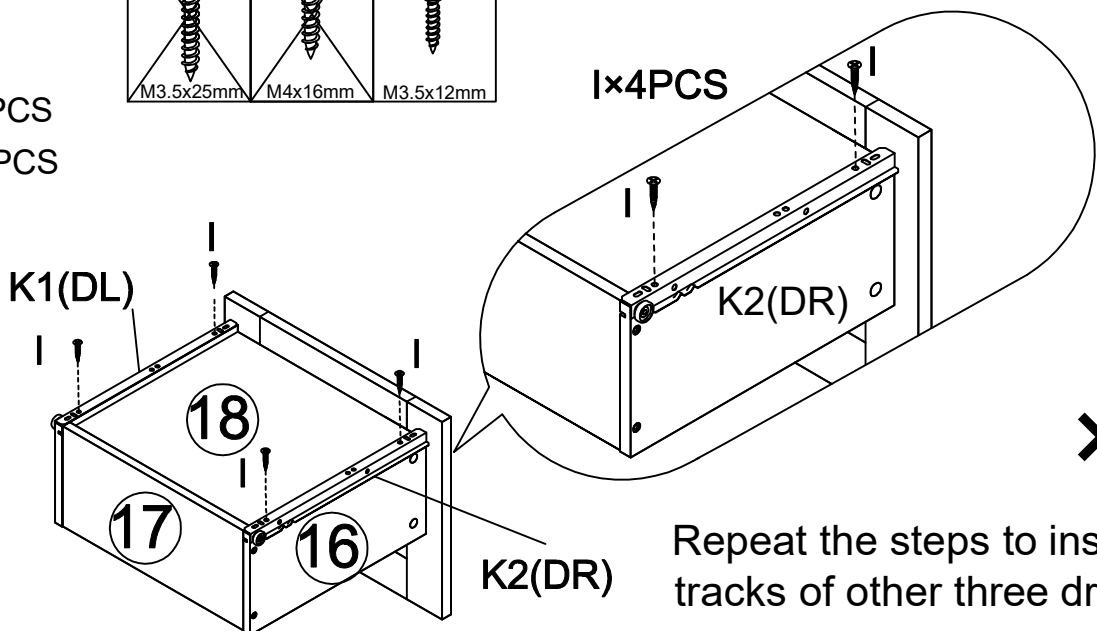
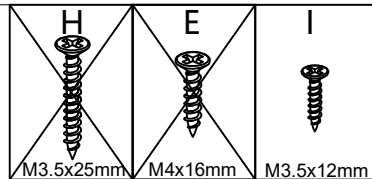


×3

Repeat the steps to install the handles of other three drawers

23

- K1(DL)x3PCS
- K2(DR)x3PCS
- Ix12PCS

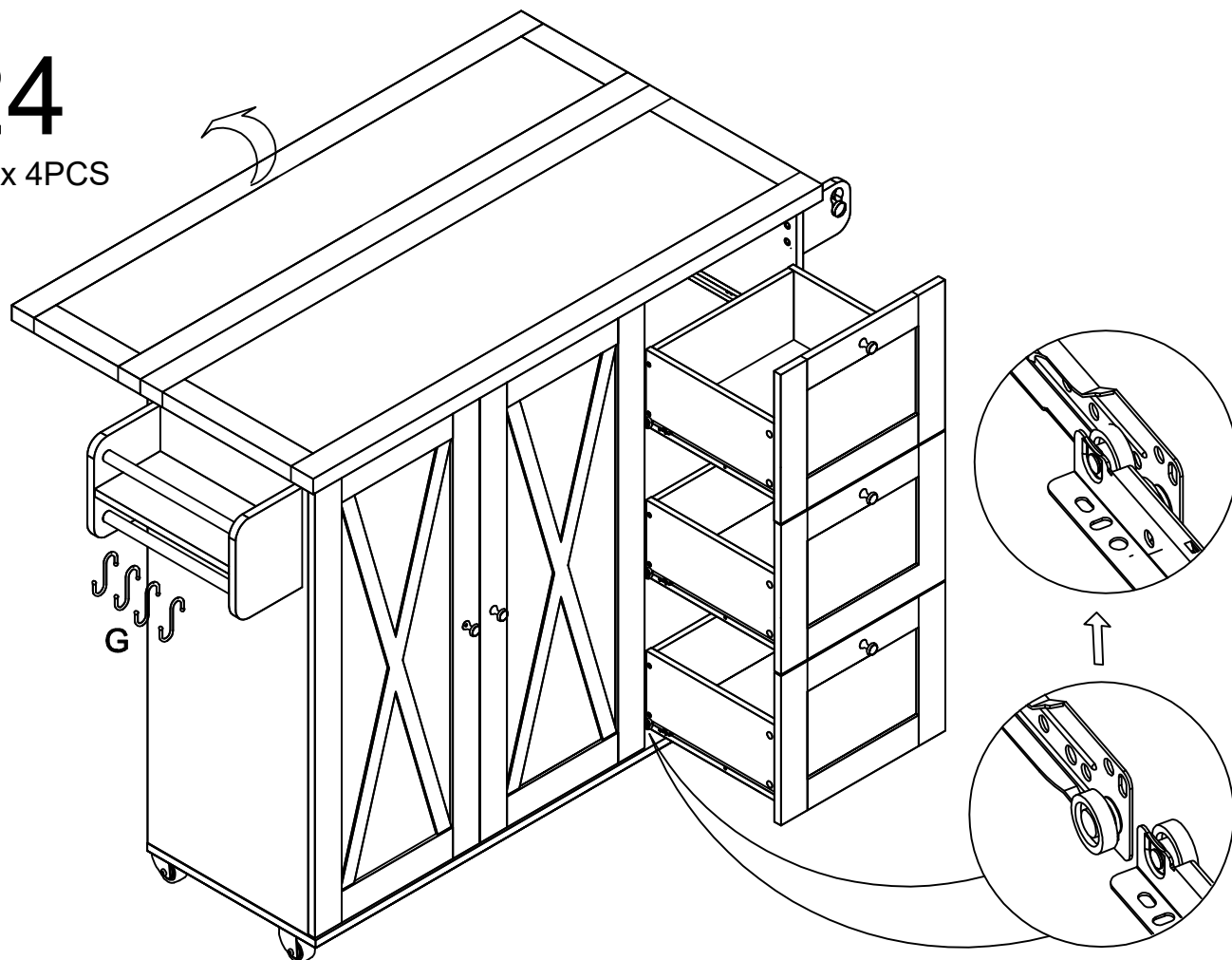


×3

Repeat the steps to install the tracks of other three drawers

24

- G x 4PCS



25

