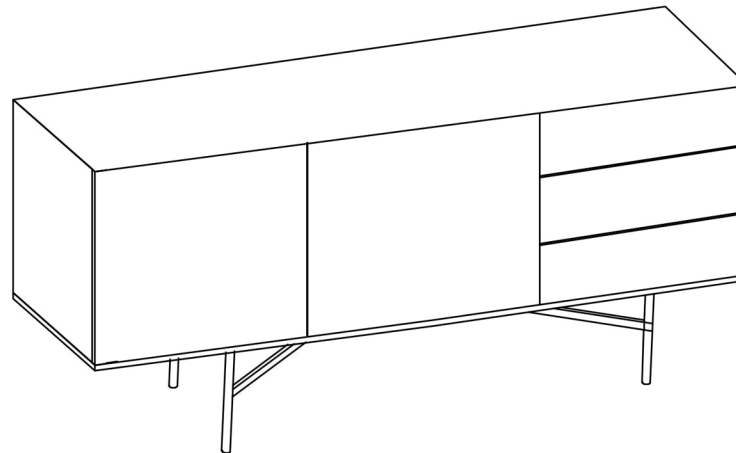


# ASSEMBLY INSTRUCTIONS.

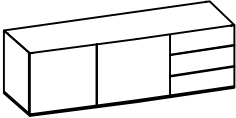
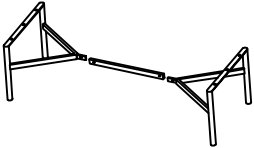
BECK SIDEBOARD



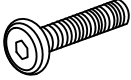



THANK YOU FOR YOUR PURCHASE!

## PARTS & HARDWARE.

### PART LIST

NO.	DESCRIPTION	IMAGE	Qty
A.	SIDEBOARD		1
B.	LEG		1

### HARDWARE LIST

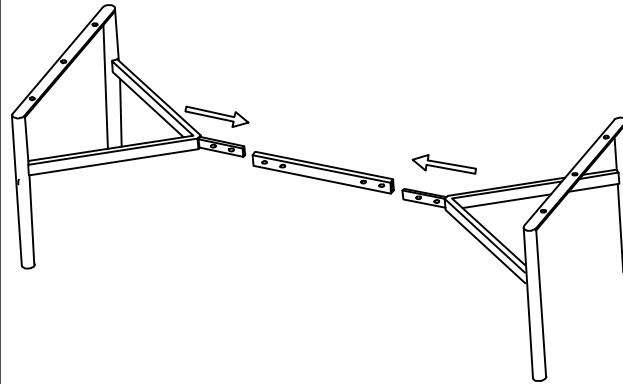
C.	Allen Bolt 6 x 16 mm		6
D.	Flat Washer 8mm		6
E.	Allen Bolt 6 x 10 mm		4
F.	Allen Key 4mm		1

### NOTES.

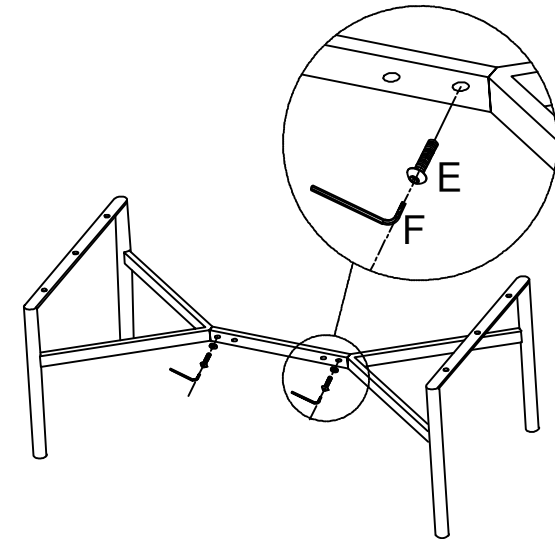
Thank you for purchasing this quality product! Be sure to check all packing material carefully for small part that May have come loose inside the carton during shipping.

**CAUTION:** The Item is heavy, assembly should be performed by two people.

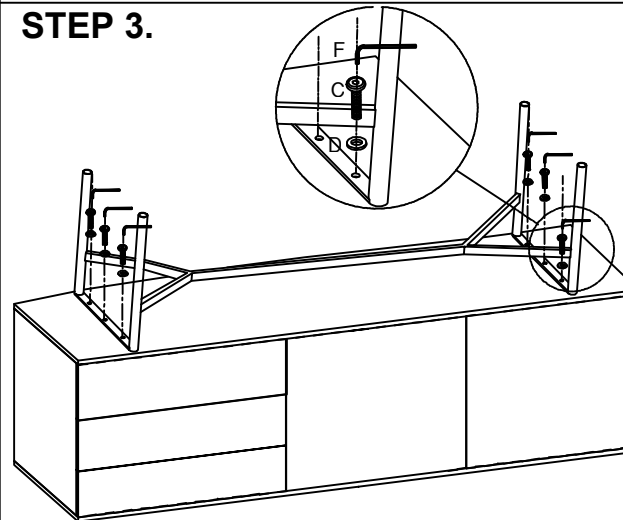
### STEP 1.



### STEP 2.



### STEP 3.



### STEP 4.

