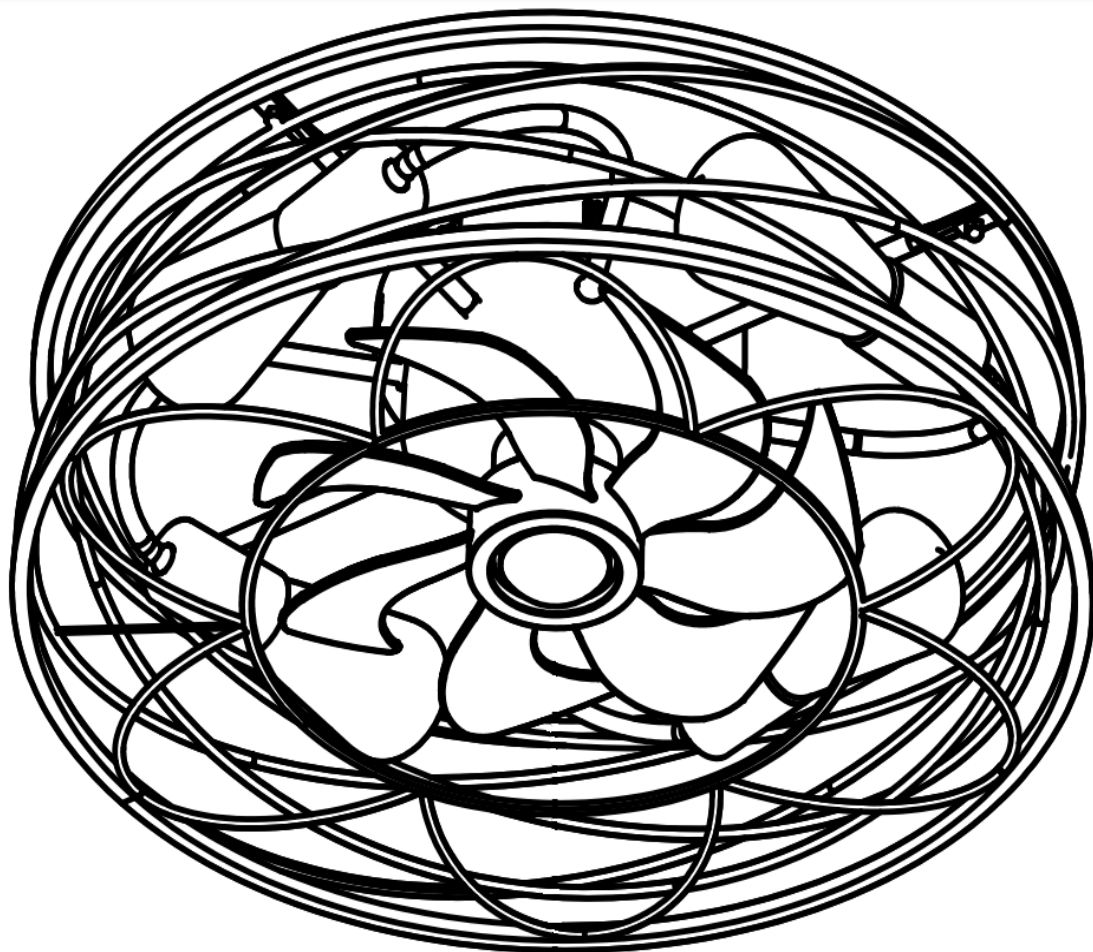


# INSTALLATION & USER MANUAL



For FAQs and more information, please email to [service@jazava.com](mailto:service@jazava.com), or please contact to [+1\(626\)283-1518](tel:+16262831518), 8:30 a.m.-5:00 p.m., PST, Monday -Friday.

# Table of Contents

Table Of Contents.....	2	Troubleshooting Guide.....	6
Preparation.....	3		
Installation Instructions.....	4-5		

## Safety Information

### READ AND SAVE THESE INSTRUCTIONS.

1. To reduce the risk of electric shock, ensure electricity has been turned off at the circuit breaker or fuse box before you begin.
2. All wiring must be in accordance with the National Electrical Code “ANSI/NFPA 70” and local electrical codes. Electrical installation should be operated by a qualified licensed electrician.
3. The outlet box and support structure must be securely mounted and capable of reliably supporting a minimum of 35 lbs (15.9 kg). Use only UL Listed outlet boxes marked “Acceptable for Fan Support of 35 lbs. (15.9 kg) or less.”
4. Do not place objects in the path of the blades.
5. To clean the fixture, turn off the power, wait for it to cool, and wipe the fixture with a clean, dry, soft cloth.
6. After making electrical connections, spliced conductors should be turned upward and pushed carefully up into the outlet box. The wires should be spread apart with the grounded conductor and the equipment grounding conductor on one side of the outlet box and ungrounded conductor on the other side of the outlet box.
7. All set screws must be checked and tightened where necessary before installation.



**WARNING:** To reduce the risk of electrical shock or fire, not use this fan with any solid-state fan speed control device. It will permanently damage the electronic circuitry.



**WARNING:** To reduce the risk of personal injury, do not bend the blade brackets when installing the rackets balancing the blades, or cleaning the fan. Do not insert



**WARNING:** To reduce the risk of fire, electric shock or personal injury, mount to outlet box marked “acceptable for fan support of 35 lbs. (15.9 Kg) or less” and use screws provided with the outlet box.



**WARNING:** To avoid possible electrical shock, turn the electricity off at the main fuse box before wiring.



**WARNING:** To reduce the risk of electrical shock, this must be installed with an isolating wall control / switch.



**CAUTION:** To reduce the risk of personal injury, use only the screws provided with the outlet box.



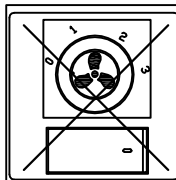
**CAUTION:** Please use carefully when working around or cleaning the fan to avoid injury or damage of fan.



**CAUTION:** The fan must be mounted with a minimum of 7 ft (2.1 m) clearance from the trailing edge of the blades to the floor.



**CAUTION:** Changes or modifications not expressly approved by the party responsible for compliance could void the user's authority to operate the equipment.



**CAUTION:** It is recommended that when installing a fan light, there is already a regulator at home, and the controller cannot be connected together.

# Preparation

Before beginning the assembly of this product, ensure all parts are present. Compare all parts with the package contents list and hardware contents list. If any part is missing or damaged, do not attempt to assemble the product.

Estimated assembly time: 2 hours

Tools required (not included): Phillips Screwdriver, Wire Strippers, Wrench, Step Ladder, Electrical tape, and Impact drill.

1. Turn off power to the fan at the breaker box and the wall switch (Figure 1.1). **DANGER:** Failure to disconnect the power supply prior to installation may result in serious injury or death.

2. Choose one of the following mounting options (Figure 1.2):

**Standard Mount** - best suited for ceilings 8 feet or higher. **Angle Mount** - best suited for angled or vaulted ceilings. A longer downrod is sometimes necessary to ensure proper blade clearance.

Ensure the ceiling angle is not steeper than **15 degrees**.

**Flush Mount Installation** - not available for this model.

**Close Mount Installation** - best suited for ceilings 8 feet or lower.

3. Choose a suitable location - Ensure the blades will be at least 30 inches from any obstructions. Also check the downrod length to ensure the blades will be at least 7 feet above the floor (Figure 1.3).

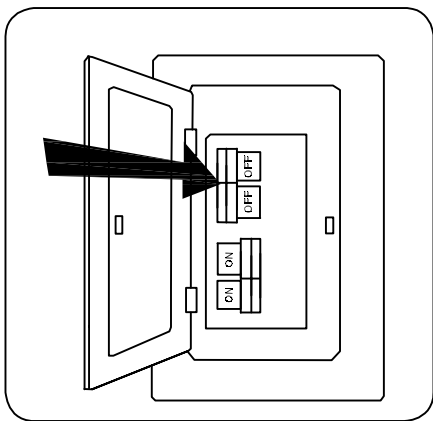


Figure 1.1

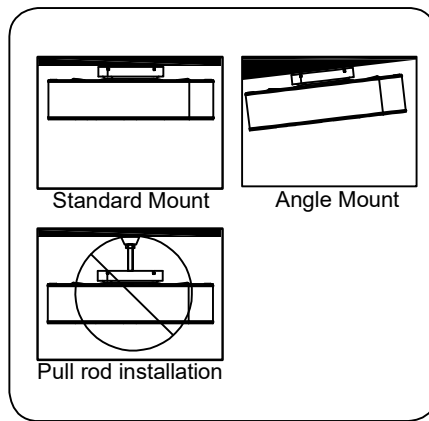


Figure 1.2

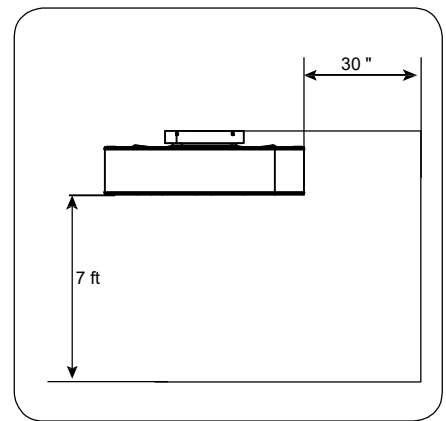
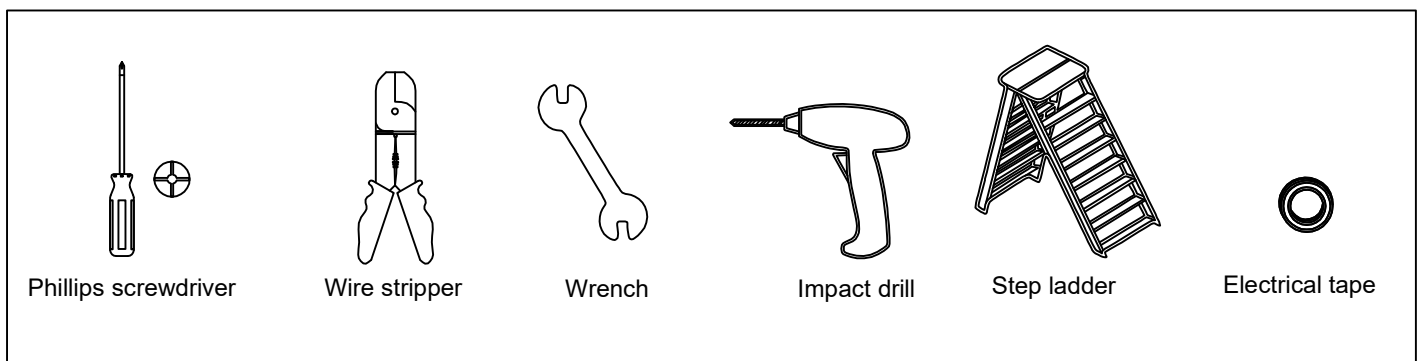


Figure 1.3

## Tools required for ceiling fan installation

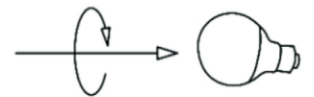
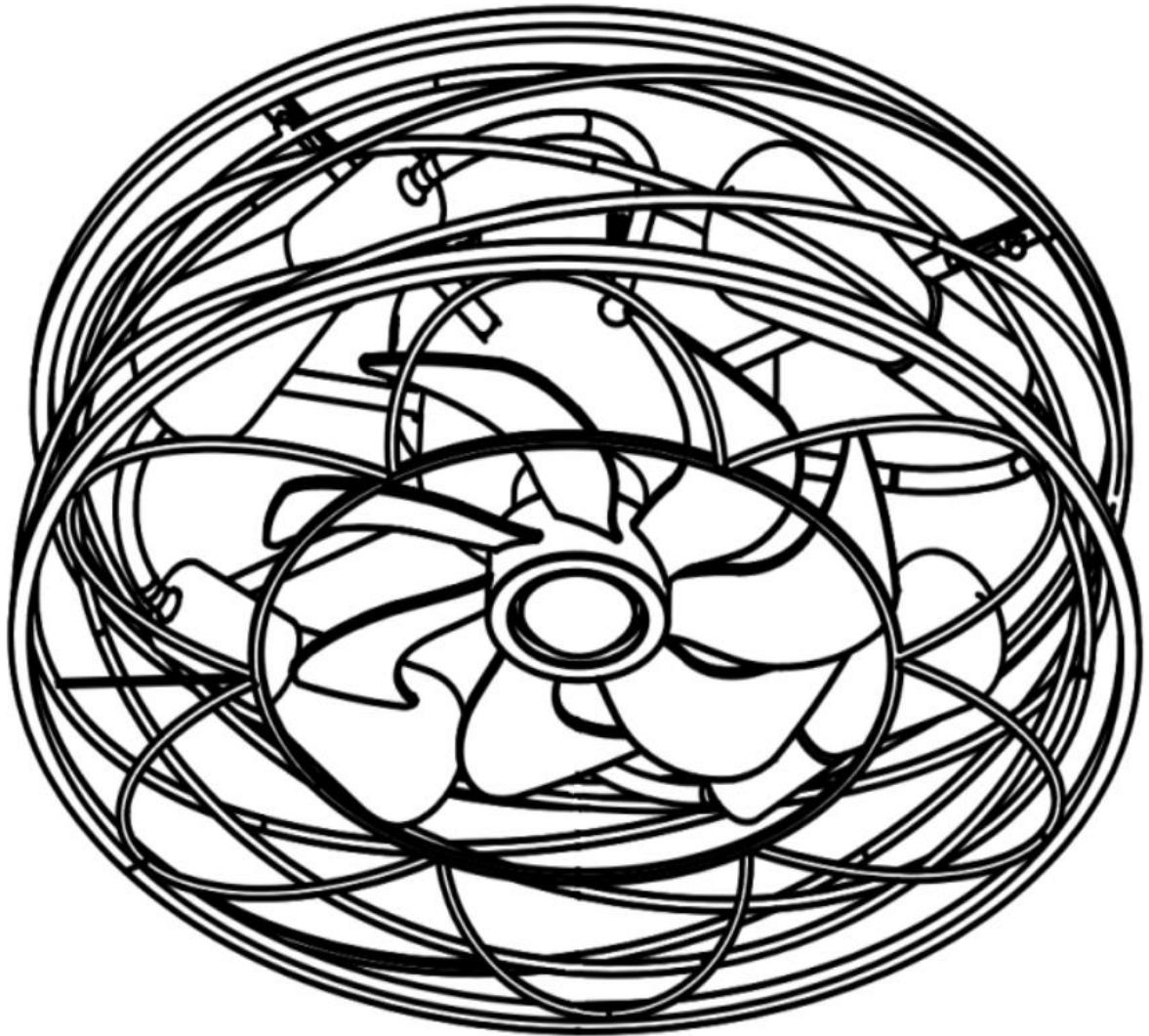


**NOTE: THIS FAN MUST BE INSTALLED BY A LICENSED AND QUALIFIED ELECTRICIAN IN ACCORDANCE WITH LOCAL AUTHORITY REGULATIONS**



# Packing List

---

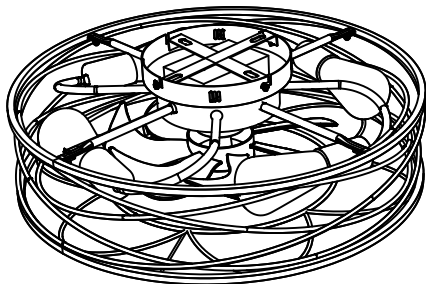


4-E26

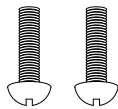
(Max 25W each, not included)

**Note:**

Before proceeding with the next steps, please prioritize the installation of the light bulbs (Bulbs are Not Included)



A



B

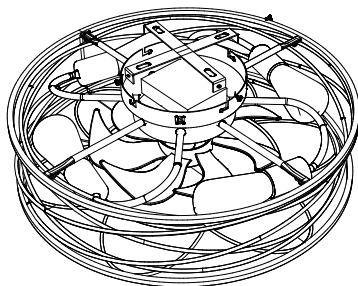


C

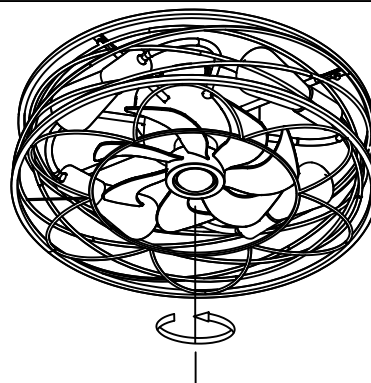


D

①



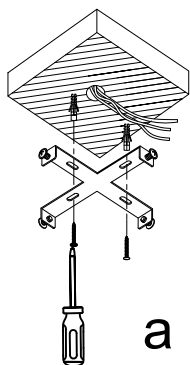
②



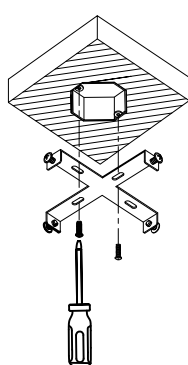
③

The ceiling

The ceiling



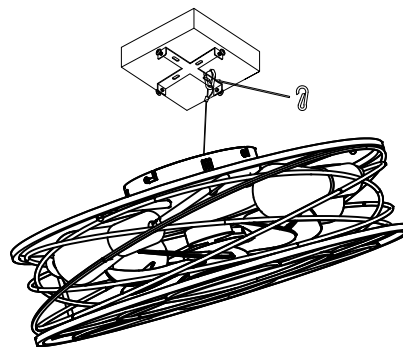
a



b

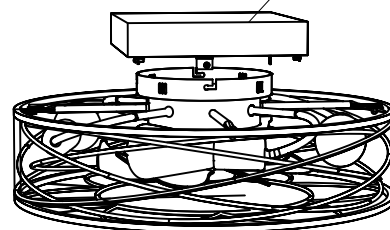
④

The ceiling



⑥

The ceiling



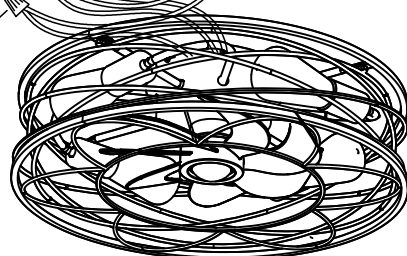
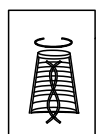
⑤

Green (Ground wire)

White (Neutral wire)

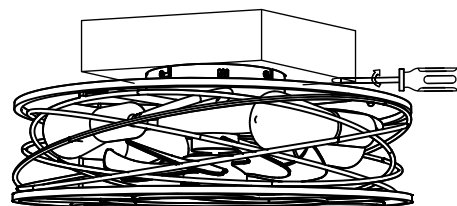
Black (line wire)

The ceiling



⑦

The ceiling

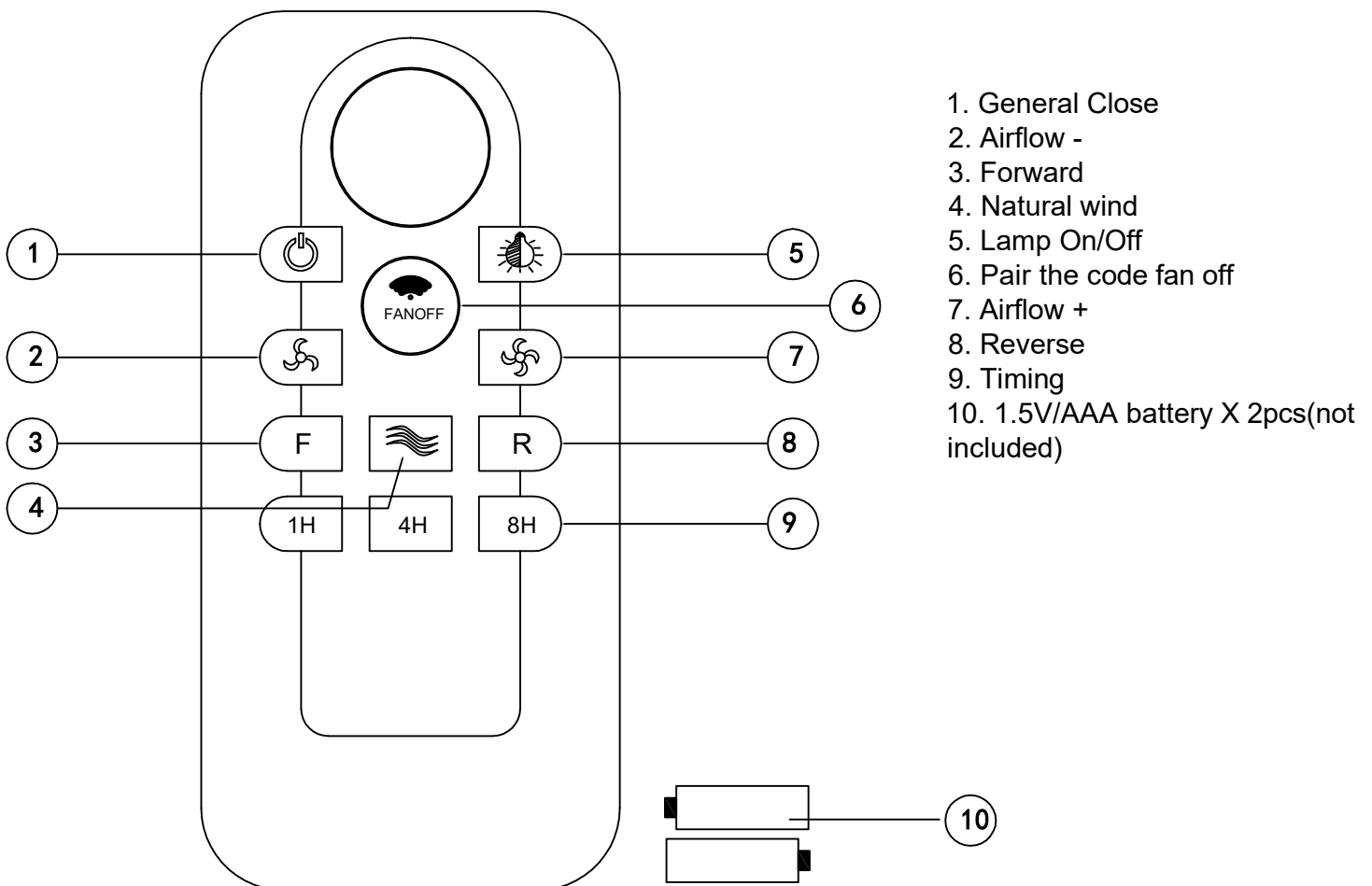


# Installation Instructions

## C. Function Instructions for Emitter

The learning code and pairing mode are used for communication between the emitter and receiver.

- Open the battery cover on the handheld remote and install a pair of AAA batteries (1.5V, not included).
- If the emitter cannot control the fan, you will need to use the learning code pairing mode between the emitter and receiver.
- When the emitter fails to control the receiver, check if the battery switch is making proper contact, ensure the batteries are installed correctly in terms of polarity, and verify if the power is sufficient.
- If the emitter still cannot control the receiver, check for other similar remote-controlled devices nearby. These can interfere with each other if they operate on the same frequency.
- Remove the batteries from the emitter if it will not be used for an extended period.
- When installing the fan, make sure that the ceiling cover does not press against the antenna or other wires, as this can damage the wires and cause a short circuit.
- This product comes with a successful pairing code from the factory. If you need to pair it again, please follow these steps: Power on the black receiver, then press and hold the "FAN OFF" button on the remote for 5 seconds until you hear a "beep" sound, indicating that pairing was successful.



# Troubleshooting Guide

If you have difficulty operating your new ceiling fan it may be the result of incorrect assembly, installation, or wiring. In some cases these installation errors may be mistaken for defects. If you experience any faults please check this troubleshooting guide.

	Problem	Suggested Remedy
1	If fan does not work	<ul style="list-style-type: none"> <li><input type="checkbox"/> Check the fuses or circuit breakers of the main and branch circuits.</li> <li><input type="checkbox"/> Check the wiring connections to the fan and the switch wiring connections in the switch housing.</li> <li><input type="checkbox"/> Check the battery in the remote control.</li> </ul>
2	If fan sounds noisy.	<ul style="list-style-type: none"> <li><input type="checkbox"/> Ensure all motor housing screws are snug.</li> <li><input type="checkbox"/> Ensure the screws that attach the fan blade bracket to the motor hub are tight.</li> <li><input type="checkbox"/> Ensure the wire nut connections are not rattling against each other or the interior wall of the switch housing.</li> <li><input type="checkbox"/> Allow a 24-hour "breaking in" period. Most noises associated with a new fan disappear during this time.</li> <li><input type="checkbox"/> If you are using the Ceiling Fan light kit, ensure the screws securing the glassware are tight. Check that the light bulbs are also secure.</li> <li><input type="checkbox"/> Ensure the canopy is a short distance from the ceiling. It should not touch the ceiling.</li> <li><input type="checkbox"/> Ensure your outlet box is secure and rubber isolate pads were used between the mounting plate and outlet box.</li> </ul>
3	If fan wobbles.	<ul style="list-style-type: none"> <li><input type="checkbox"/> Make sure that canopy and mounting bracket are tightened securely to ceiling junction box and junction box is mounted firmly to ceiling joist.</li> </ul>
4	If light does not work.	<ul style="list-style-type: none"> <li><input type="checkbox"/> Check for loose or disconnected wires in fan switch housing. Check for loose or disconnected wires in light kit.</li> <li><input type="checkbox"/> Check for faulty light bulbs. CAUTION: Make sure main power is turned off before entering switch housing.</li> <li><input type="checkbox"/> If the fan light shuts off shortly after being switched on it may be due to excessive current demand. Turn off power to the fan and replace the light bulbs with lower wattage bulbs. Turn on power to the fan using the pull chain, wall switch, or remote control (whichever is installed on the particular fan).</li> </ul>