

60min

APPROXIMATE ASSEMBLY TIME

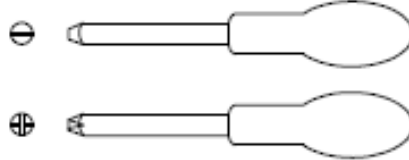
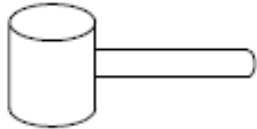
1 PEOPLE FOR ASSEMBLY



FLOOR AREA
1.2M X 1.0M

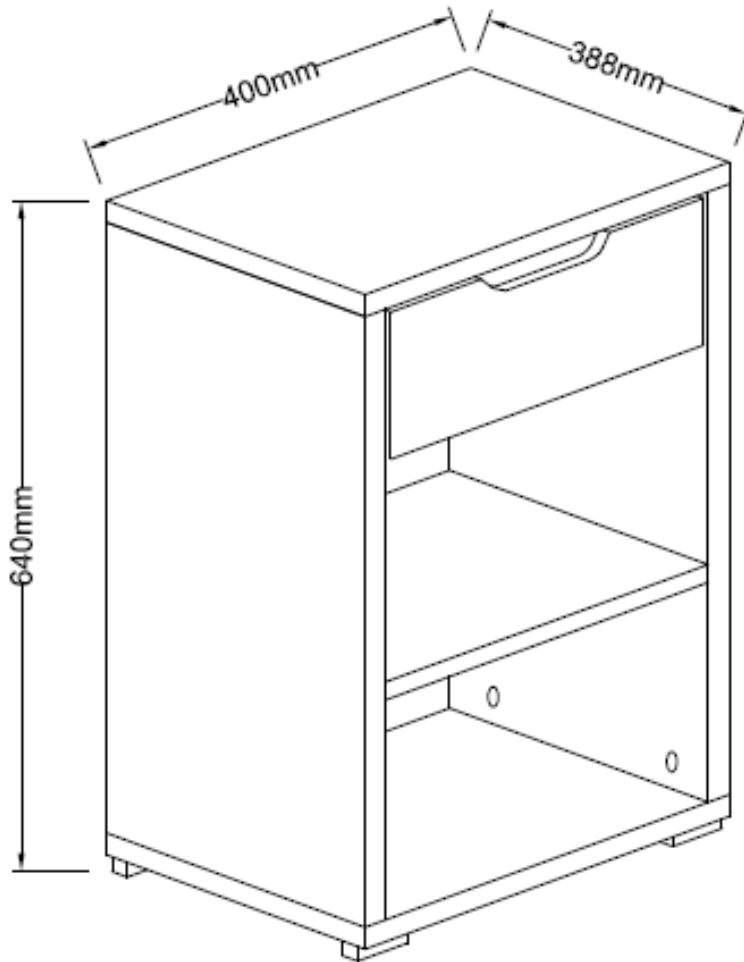


REQUIRED ASSEMBLY SPACE



REQUIRED ASSEMBLY TOOLS

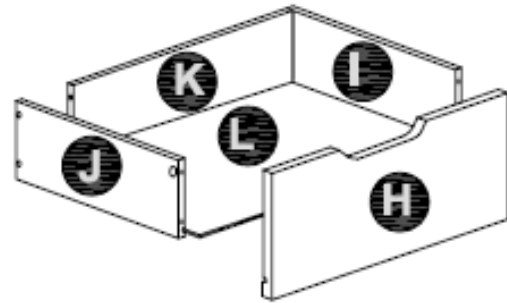
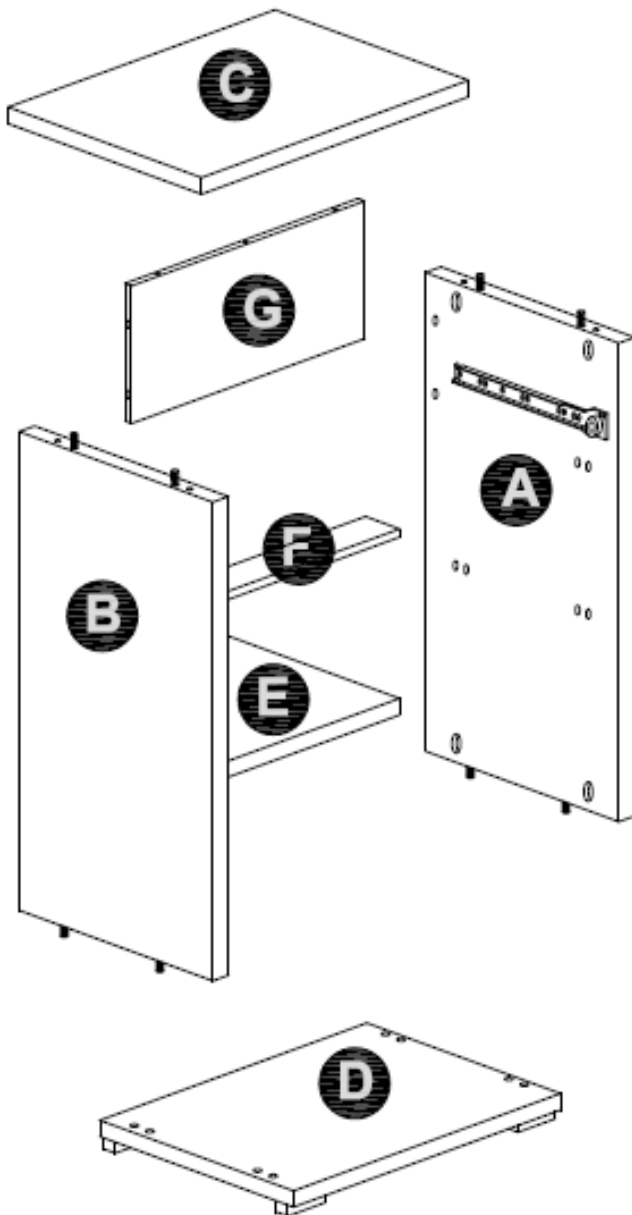
ASSEMBLED DIMENSIONS



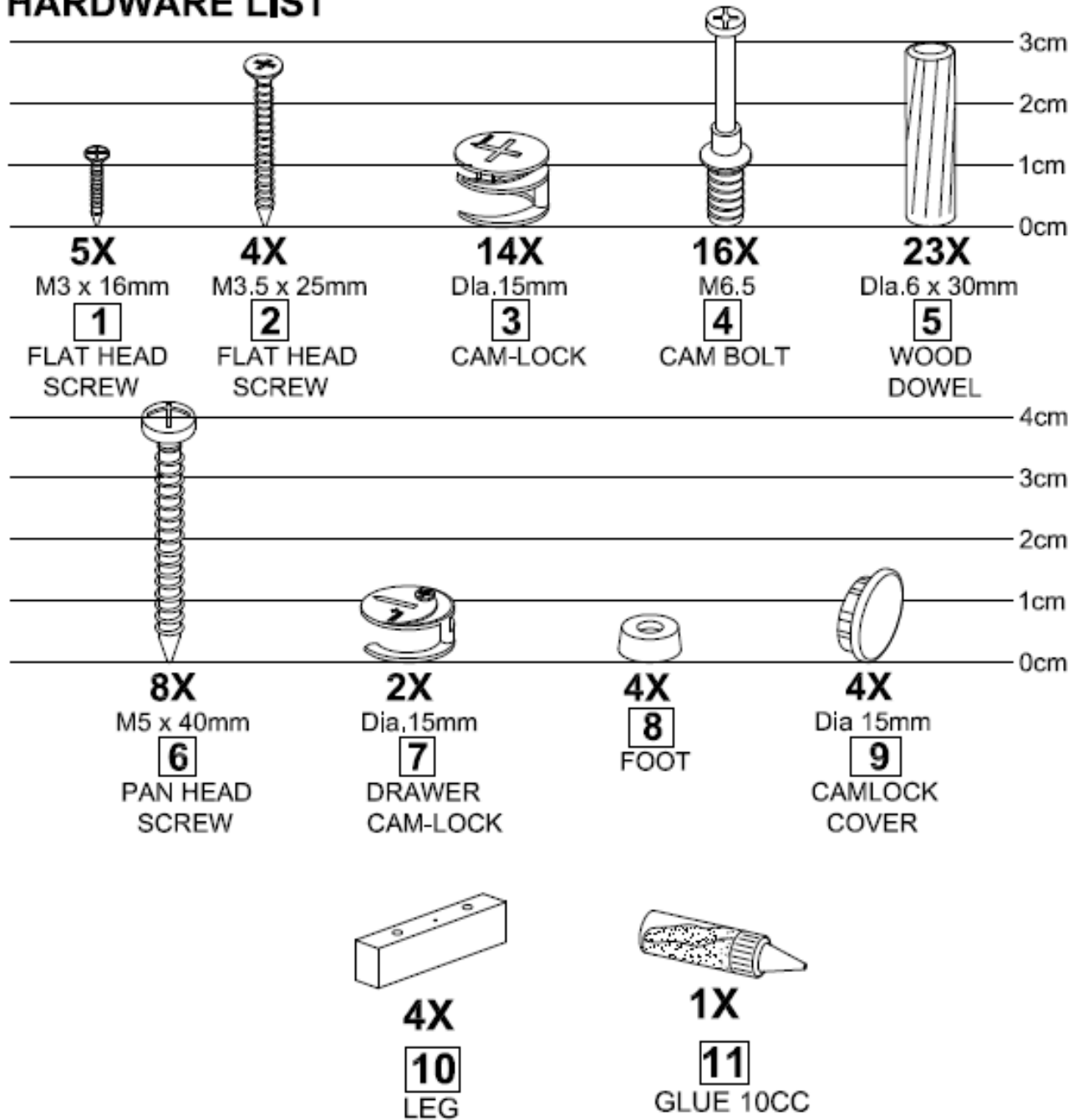
NOTE : THE MAXIMUM WEIGHT THIS PRODUCT CAN HOLD UP TO IS 55 LBS.

PARTS LIST

NO.	PART LIST	QTY
(A)	RIGHT SIDE PANEL	1
(B)	LEFT SIDE PANEL	1
(C)	TOP PANEL	1
(D)	BOTTOM PANEL	1
(E)	FIXED SHELF	1
(F)	SUPPORT PANEL	1
(G)	BACK PANEL	1
(H)	DRAWER FRONT	1
(I)	DRAWER SIDE (RIGHT)	1
(J)	DRAWER SIDE (LEFT)	1
(K)	DRAWER BACK PANEL	1
(L)	DRAWER BASE	1



HARDWARE LIST



Top Tips before you start!

1. Please check that all parts are present before you start the assembly of your furniture.
2. For ease and speed of assembly, we recommend that before you commence each step of the assembly, that you identify all the parts required for that step.
3. For larger items, please ensure that you have sufficient space and people (as indicated on page 1) to assemble your product safely
4. We recommend that, where possible, all items are assembled near to the area in which they will be placed in use, to avoid moving the product unnecessarily once assembled.
5. For the protection of your furniture, particularly items of high gloss finish, we recommend that the product is placed on a protected surface during assembly to prevent any damage.
6. During assembly please take care not to over-tighten any fittings, as this may damage the product.
7. Always place the product on a flat, steady and stable surface.
8. Do not sit or stand on the product.
Do not use the product as a stepladder.
9. This product is intended for indoor, household use only as it is a non industrial product.
10. This product is constructed from re-inforced hollow board. Excessive pressure causes irreparable damage. Please do not kneel on any part of this product during assembly.

Care and Maintenance of your Furniture

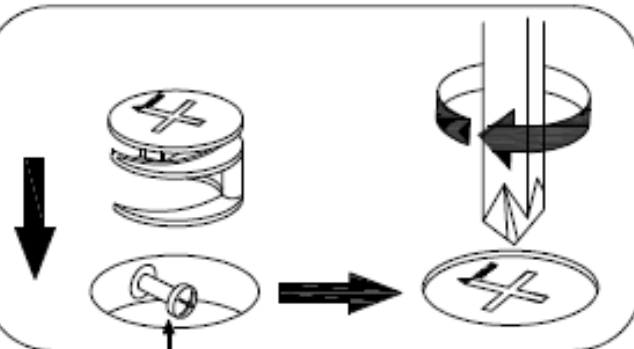
- Please periodically check all fittings and re-tighten as necessary.
- To clean your item, please use a damp cloth and wipe clean.
- Never allow any kind of liquid to remain on your furniture.
- Please do not place hot items (e.g. hot drinks) directly on to the wood surface.
- Please do not drag and pull your furniture.

SPECIAL TIPS FOR FITTING CAM-LOCKS AND CAM BOLT

CAM-LOCK

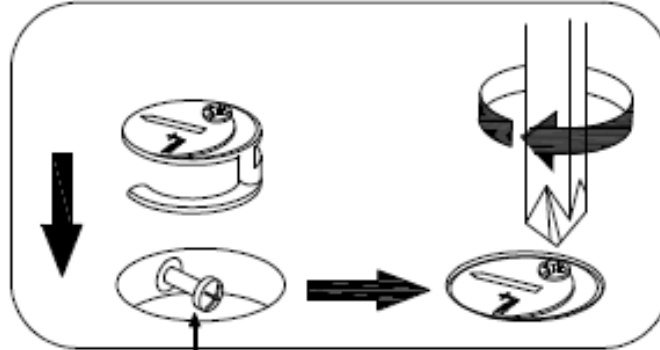


WHEN FITTING CAM-LOCK
ENSURE STARTING POSITION IS CORRECT
BEFORE YOU INSERT CONNECTING CAM BOLT
TURN CLOCKWISE UNTIL SECURE



Cam bolt head needs to be In centre

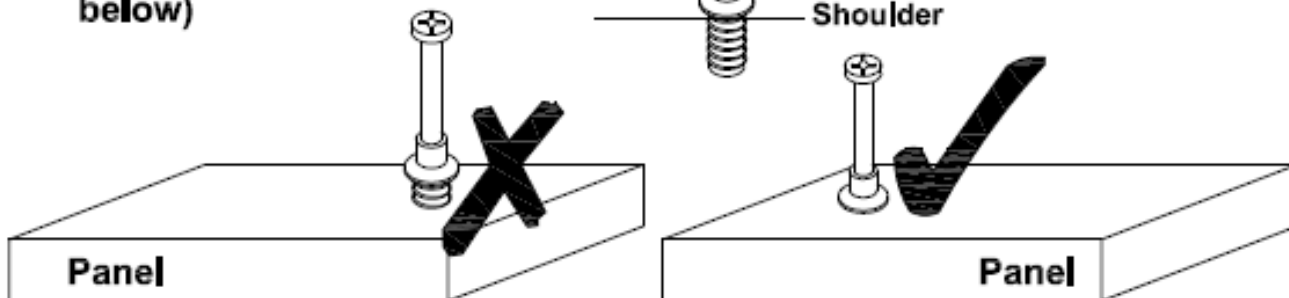
DRAWER
CAM-LOCK



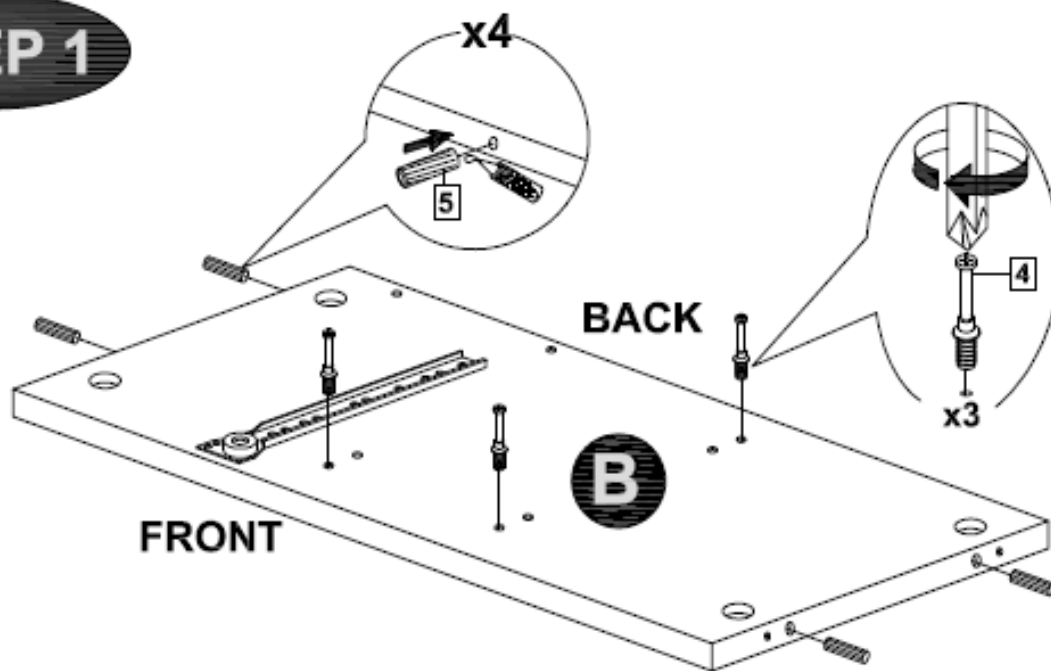
Cam bolt head needs to be In centre

QUICKFIT

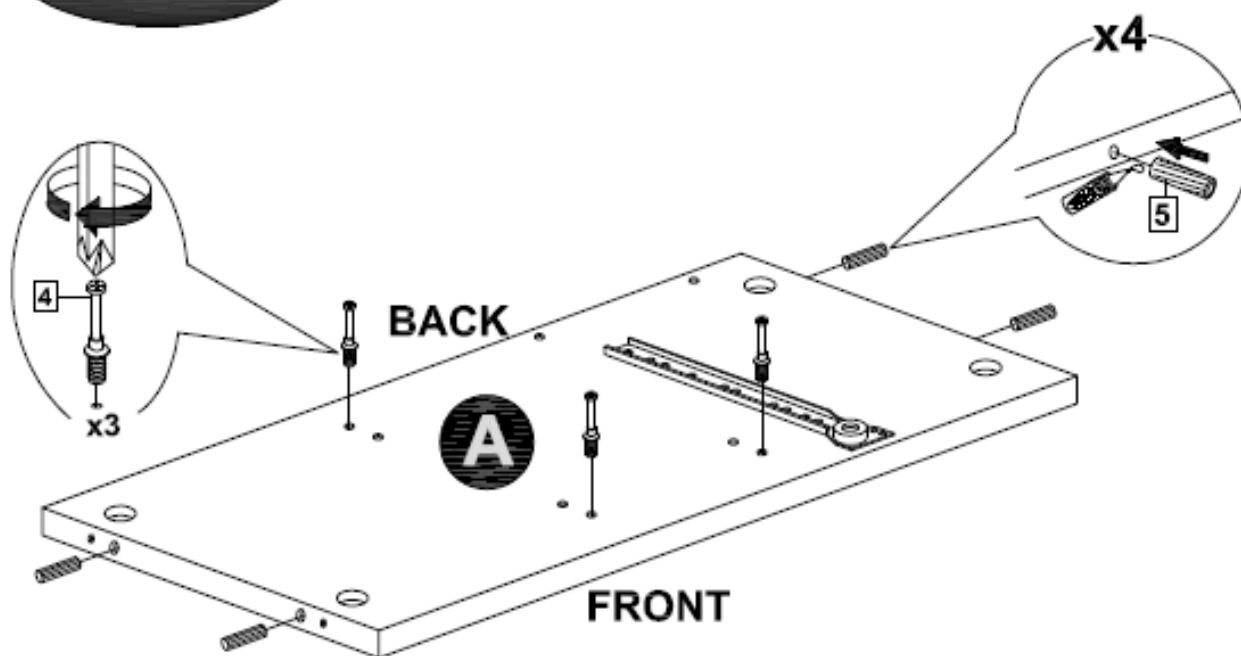
Tighten until shoulder is flush with panel. Do not overtighten or undertighten (see example below)



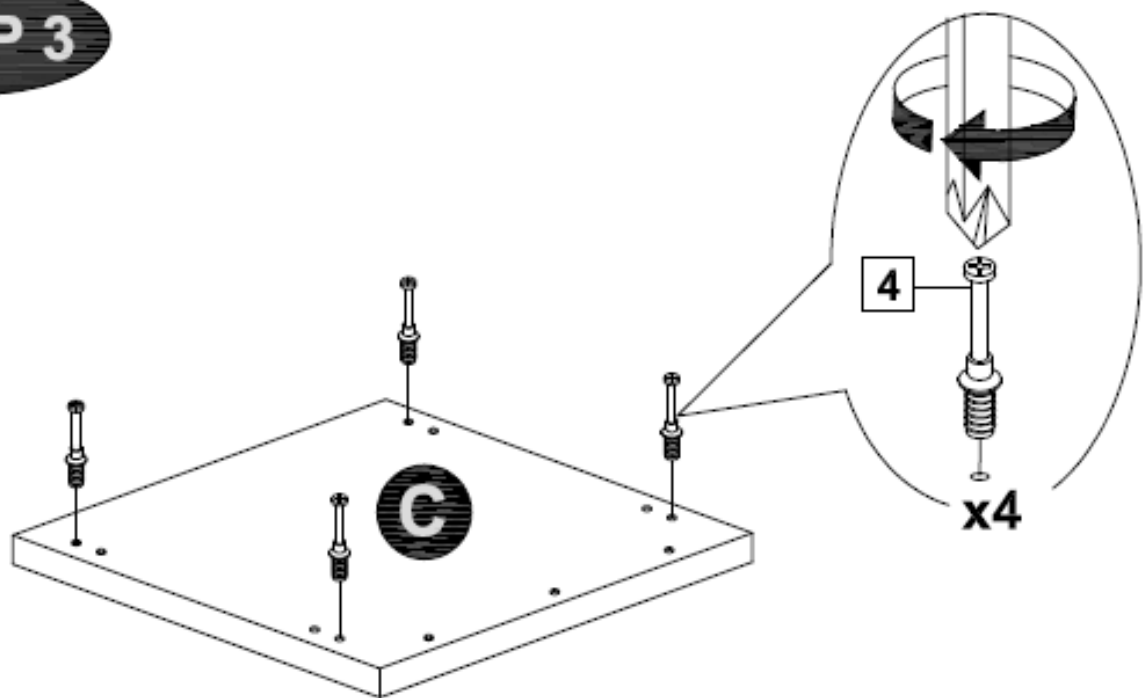
STEP 1



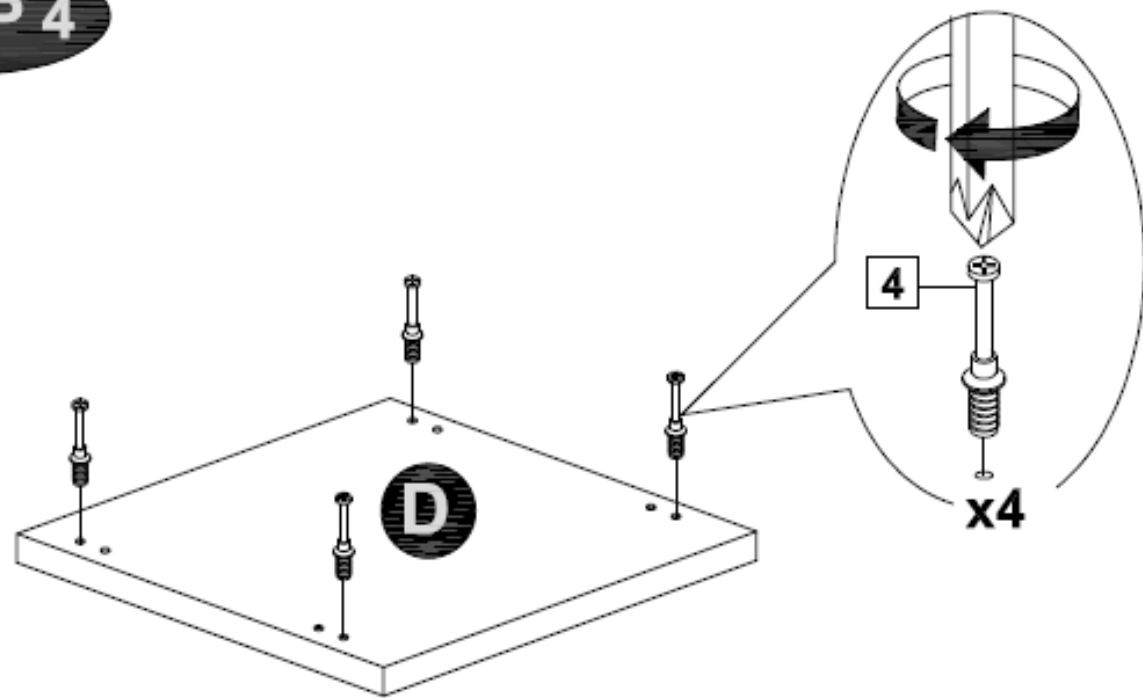
STEP 2



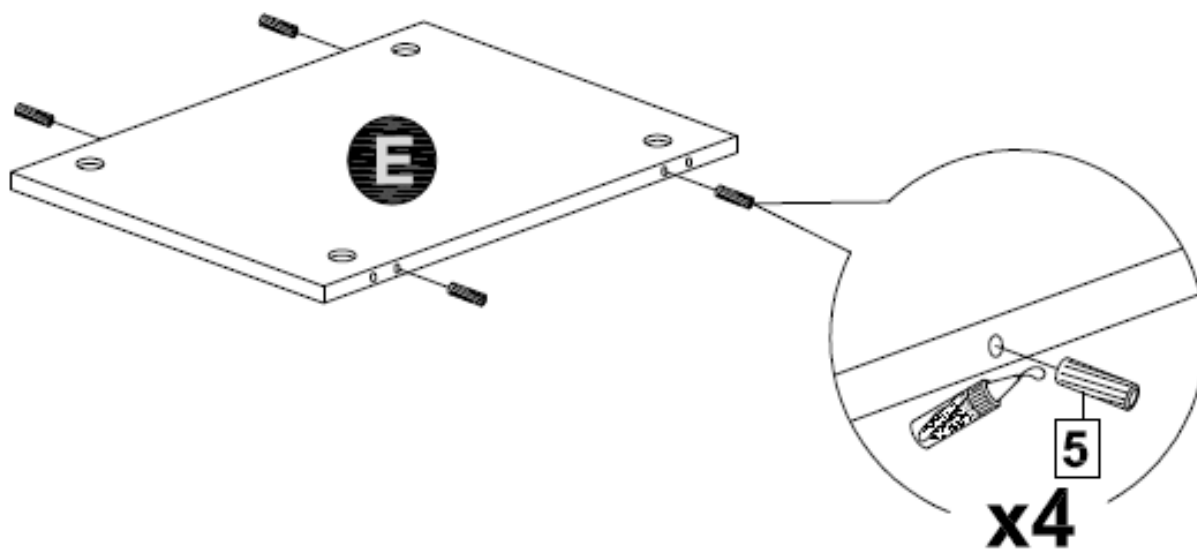
STEP 3



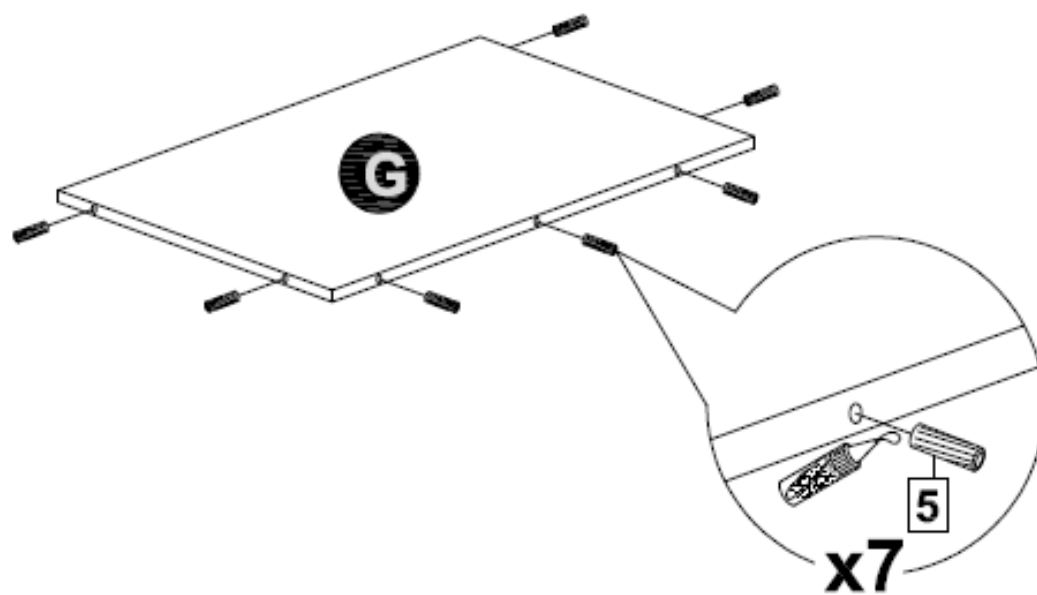
STEP 4



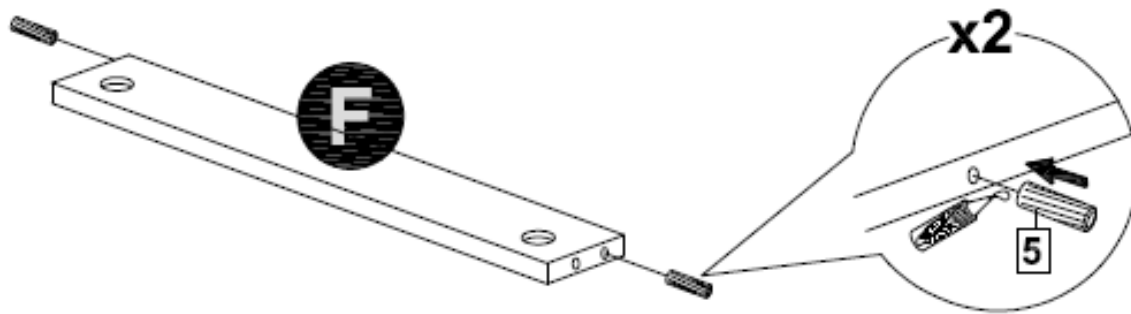
STEP 5



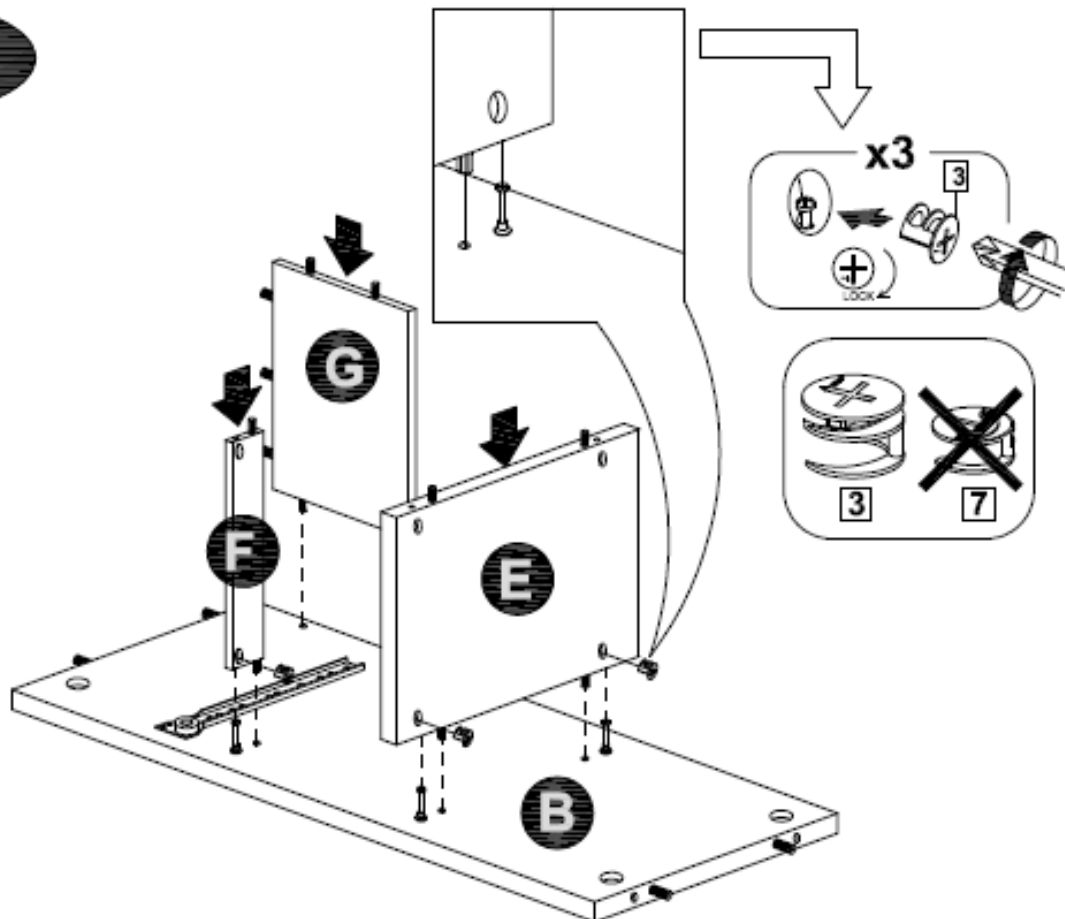
STEP 6



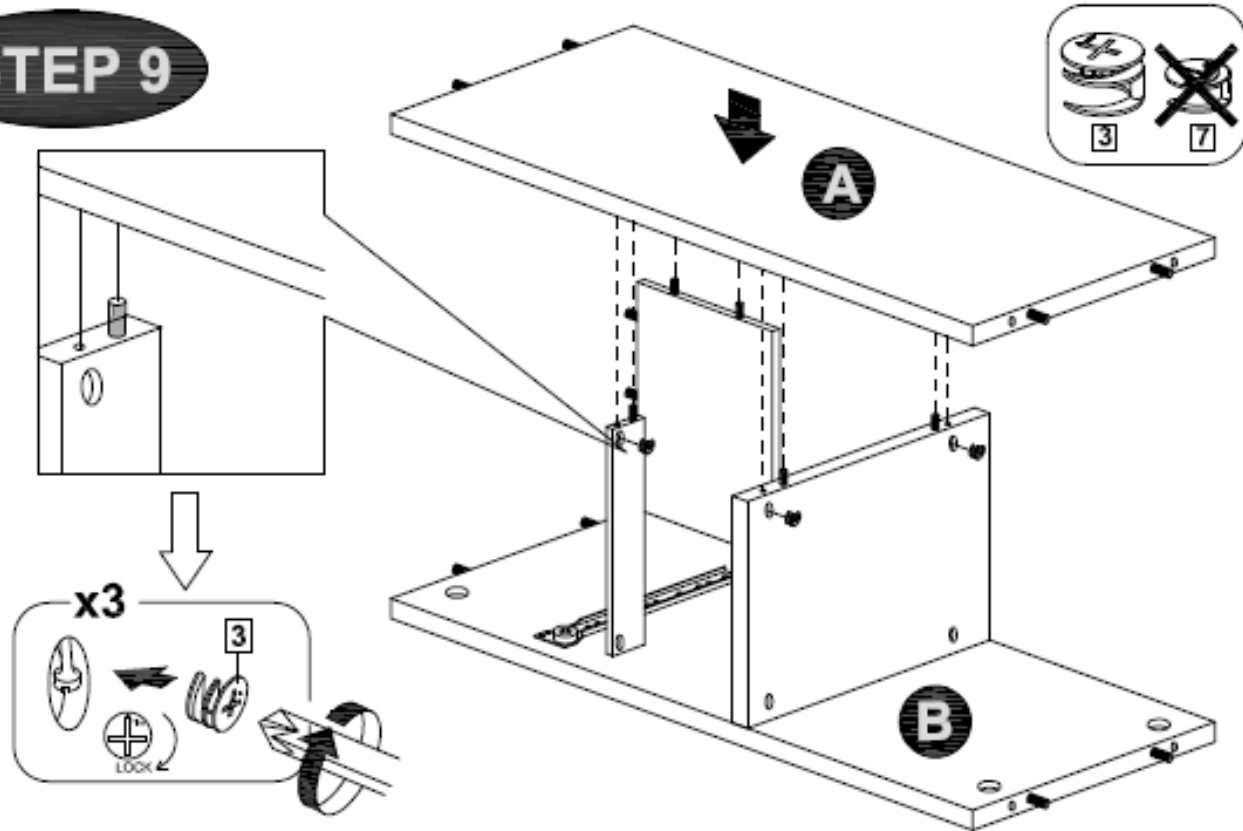
STEP 7



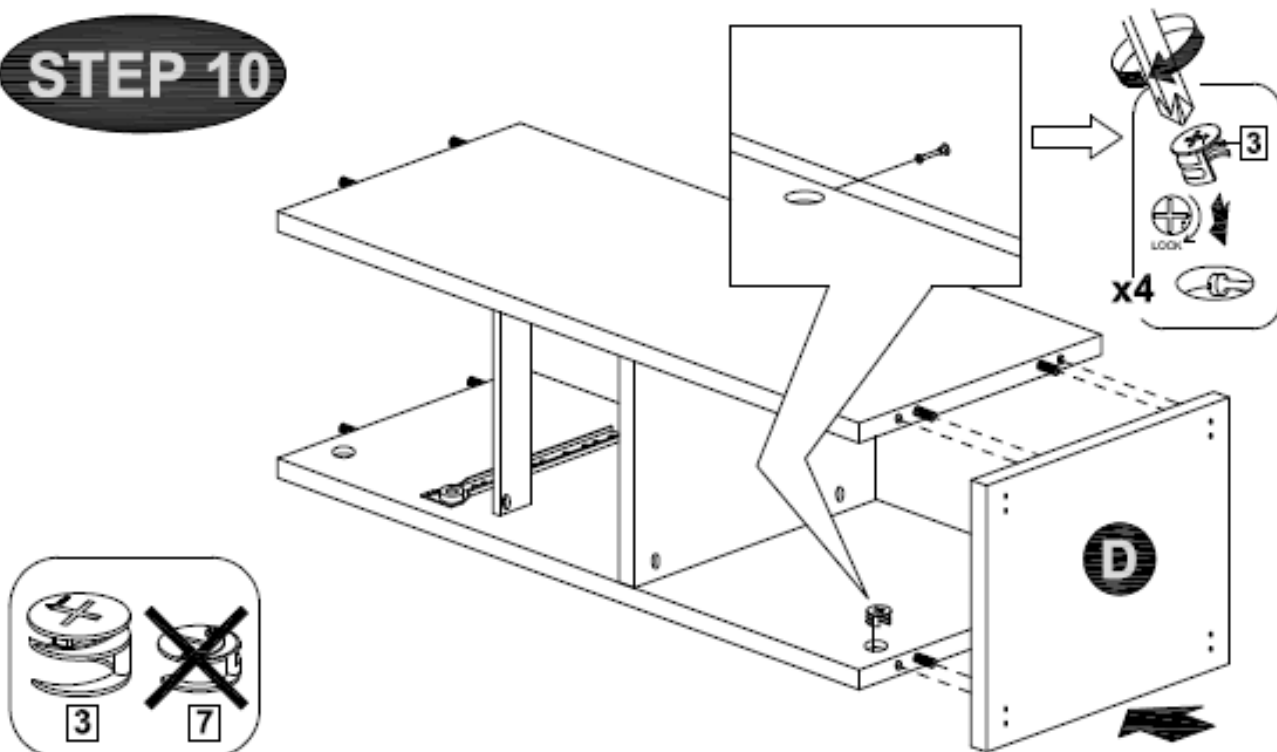
STEP 8



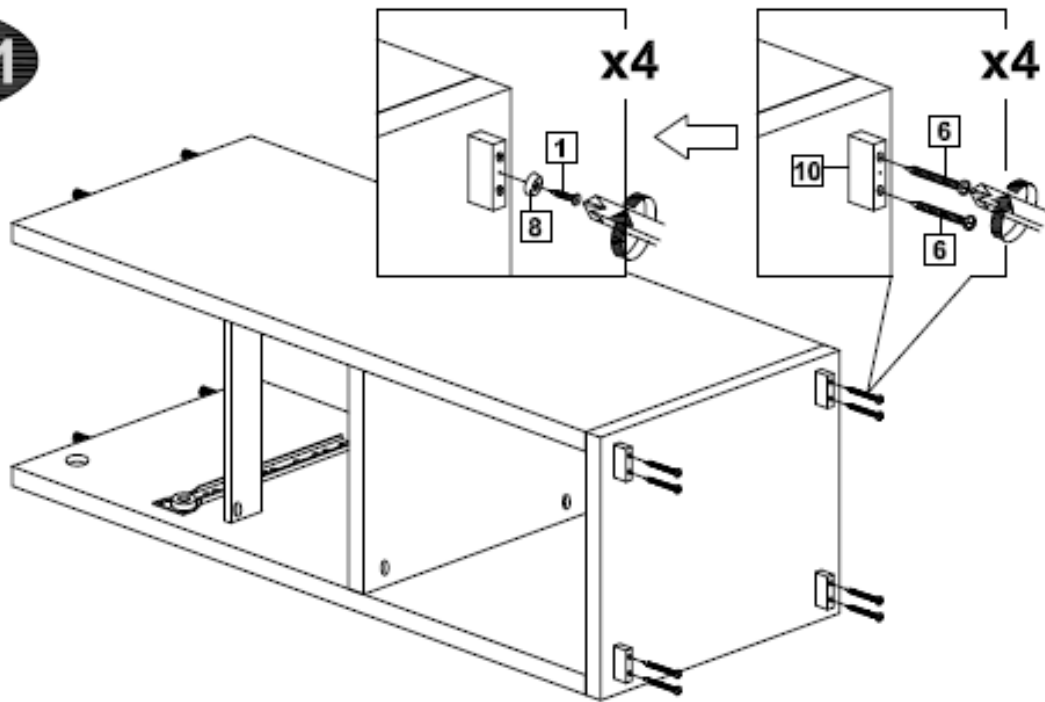
STEP 9



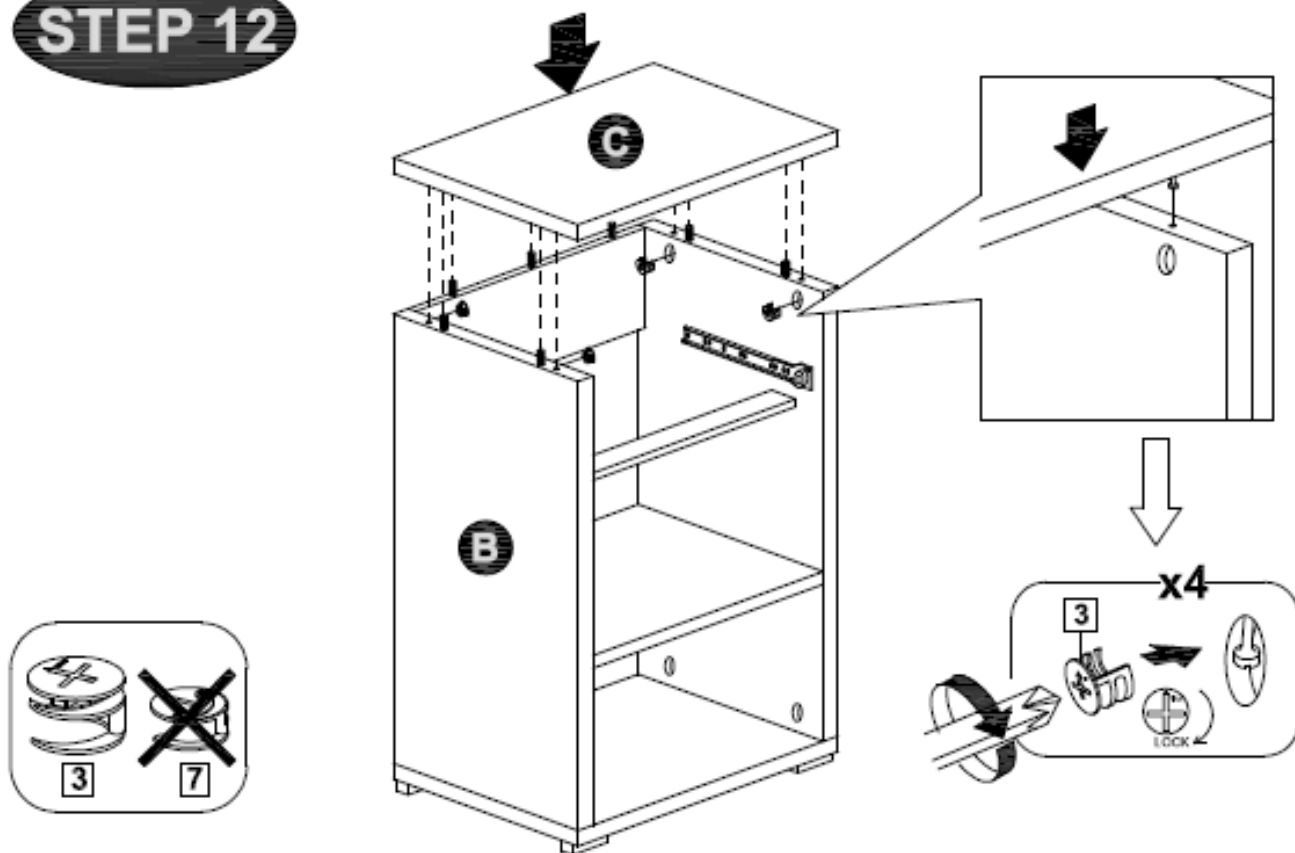
STEP 10



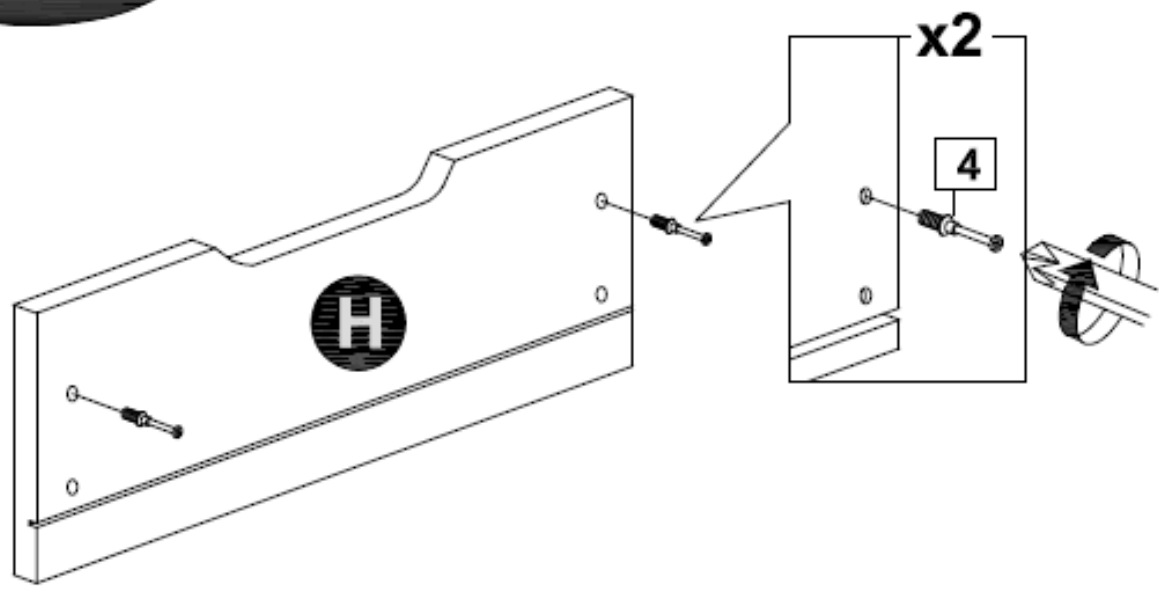
STEP 11



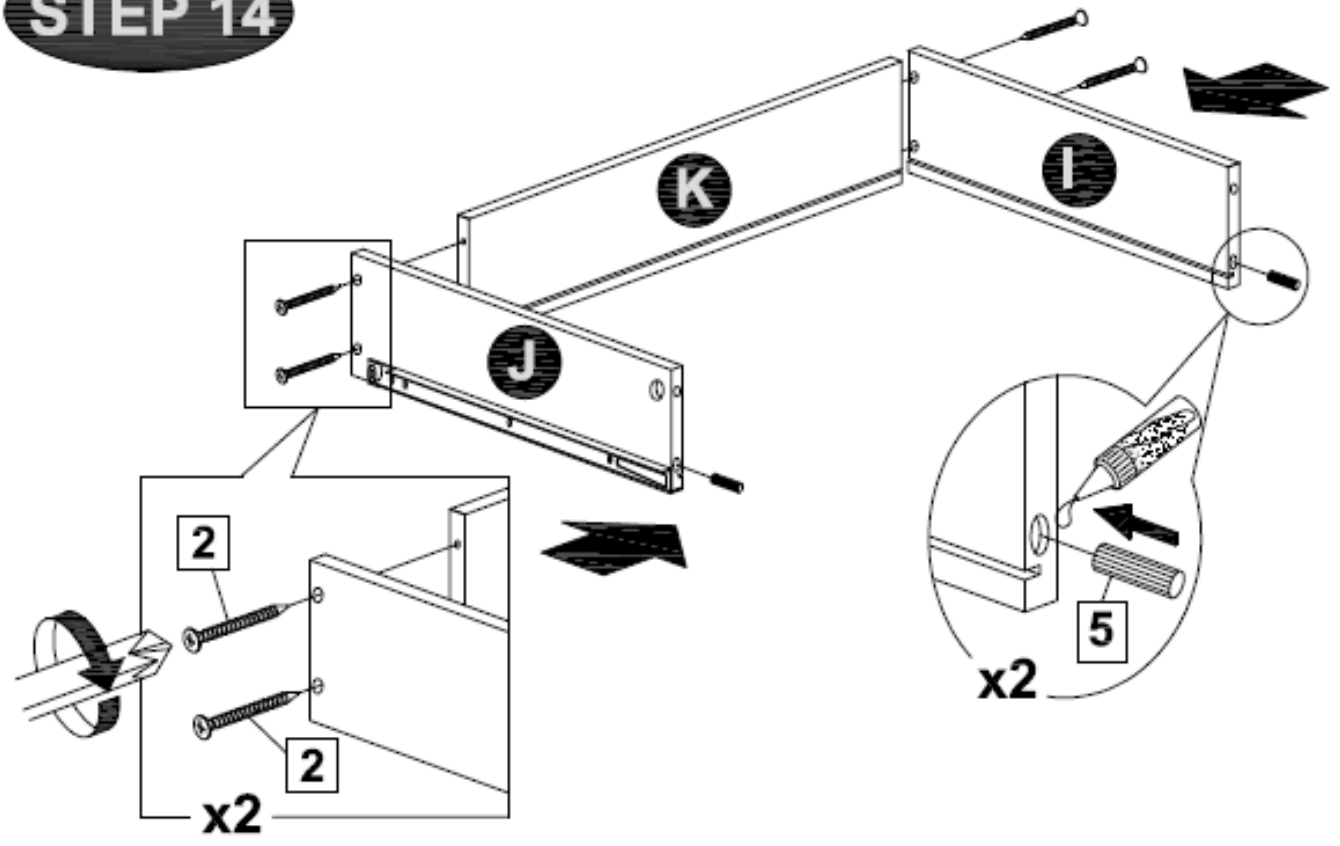
STEP 12



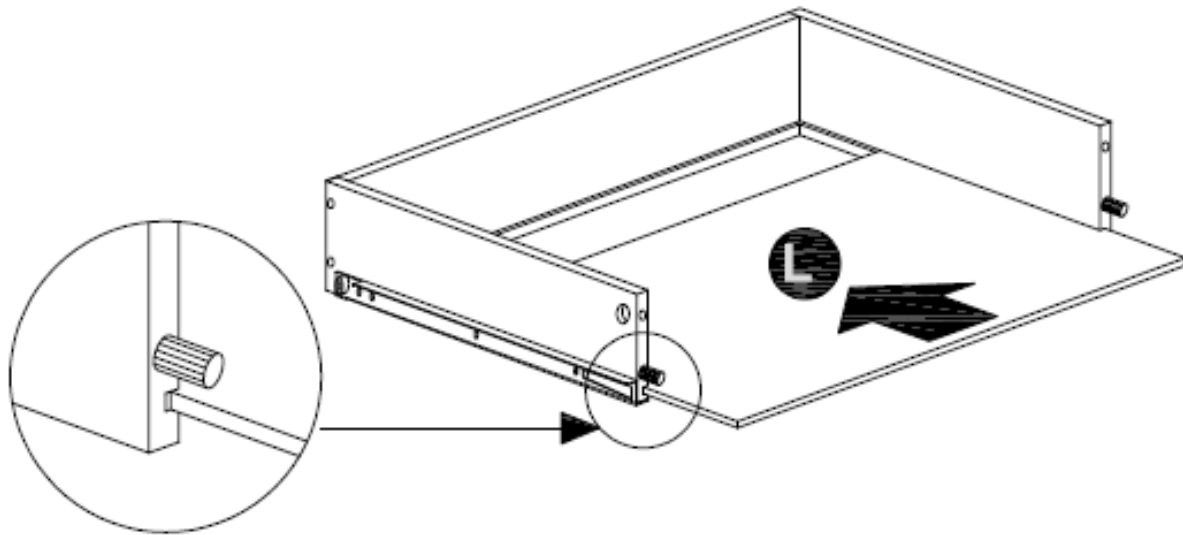
STEP 13



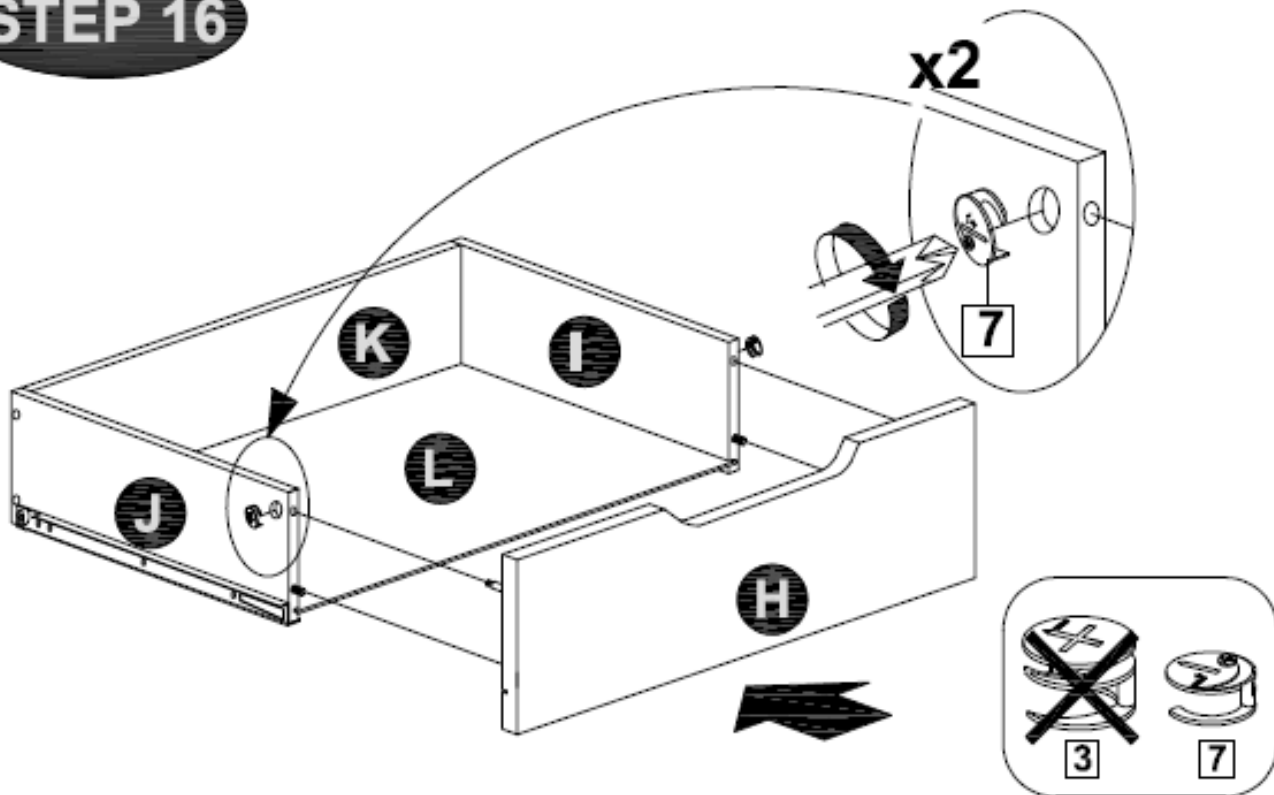
STEP 14



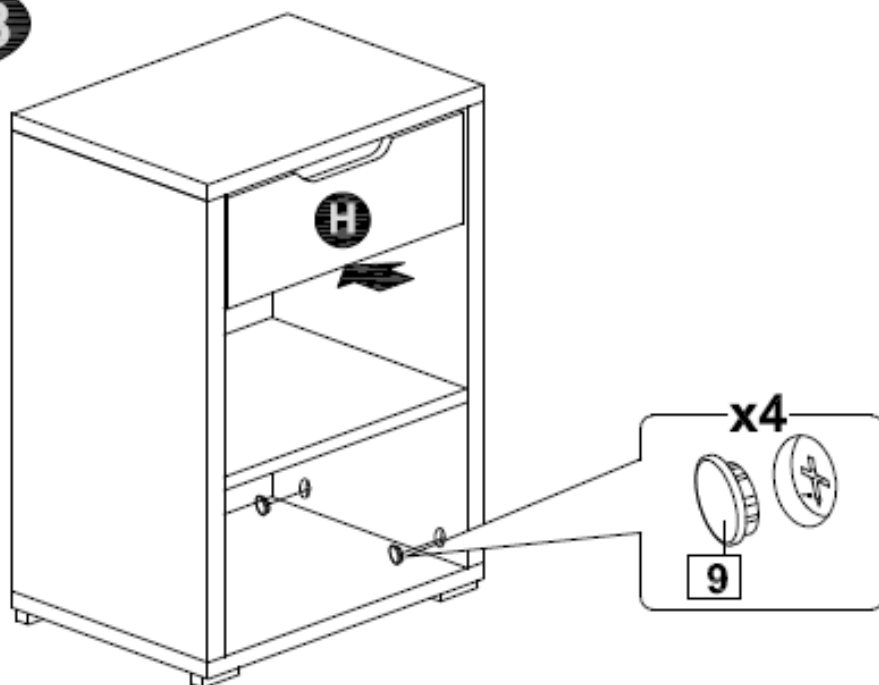
STEP 15



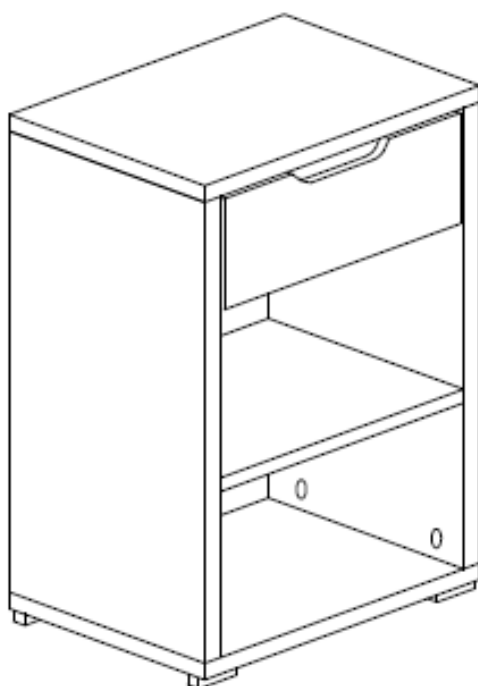
STEP 16



STEP 18



STEP 19



60min

APPROXIMATE ASSEMBLY TIME

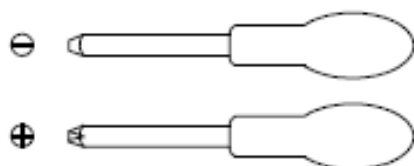
2 PERSON ASSEMBLY



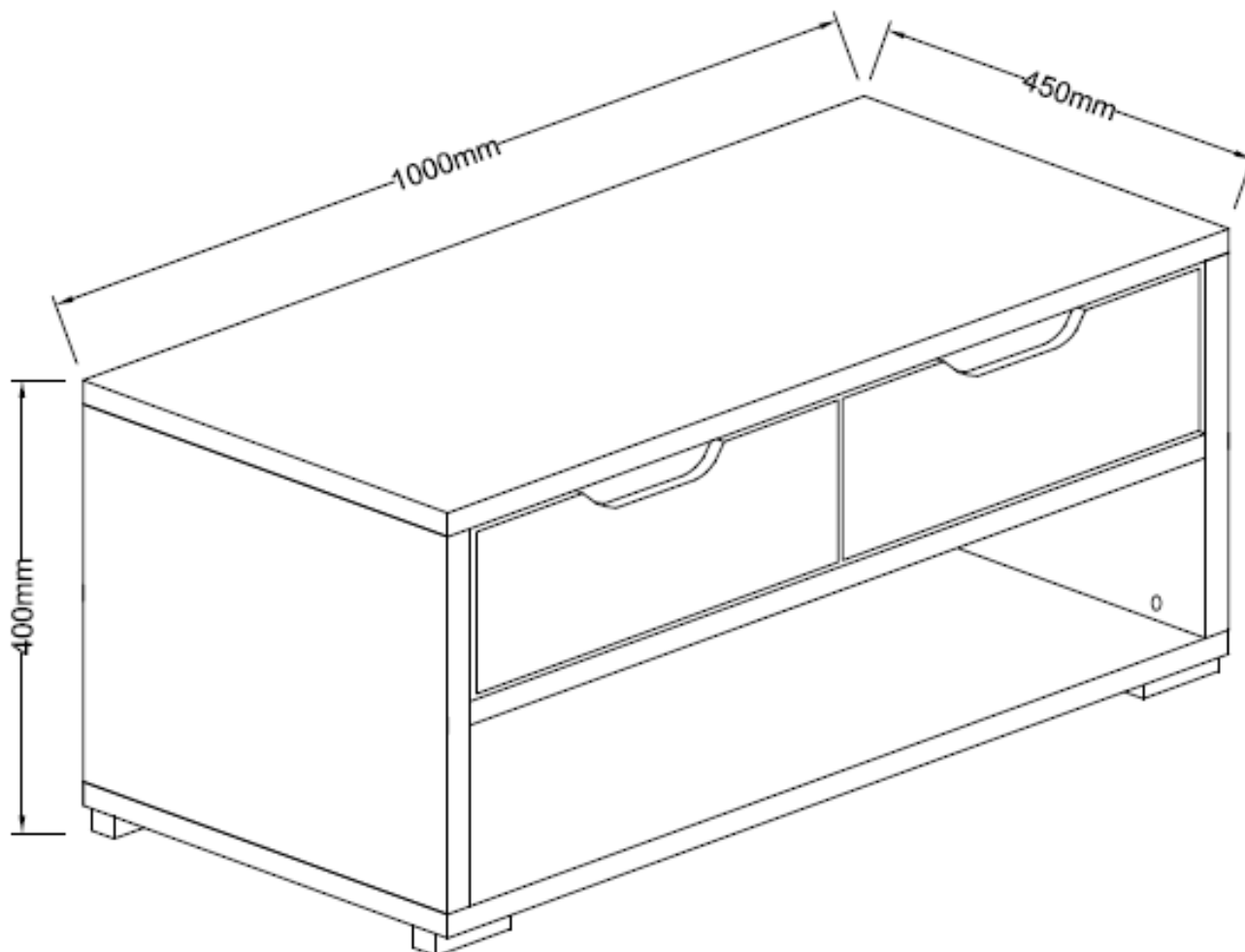
FLOOR AREA
1,0M X1,5M



REQUIRED ASSEMBLY SPACE



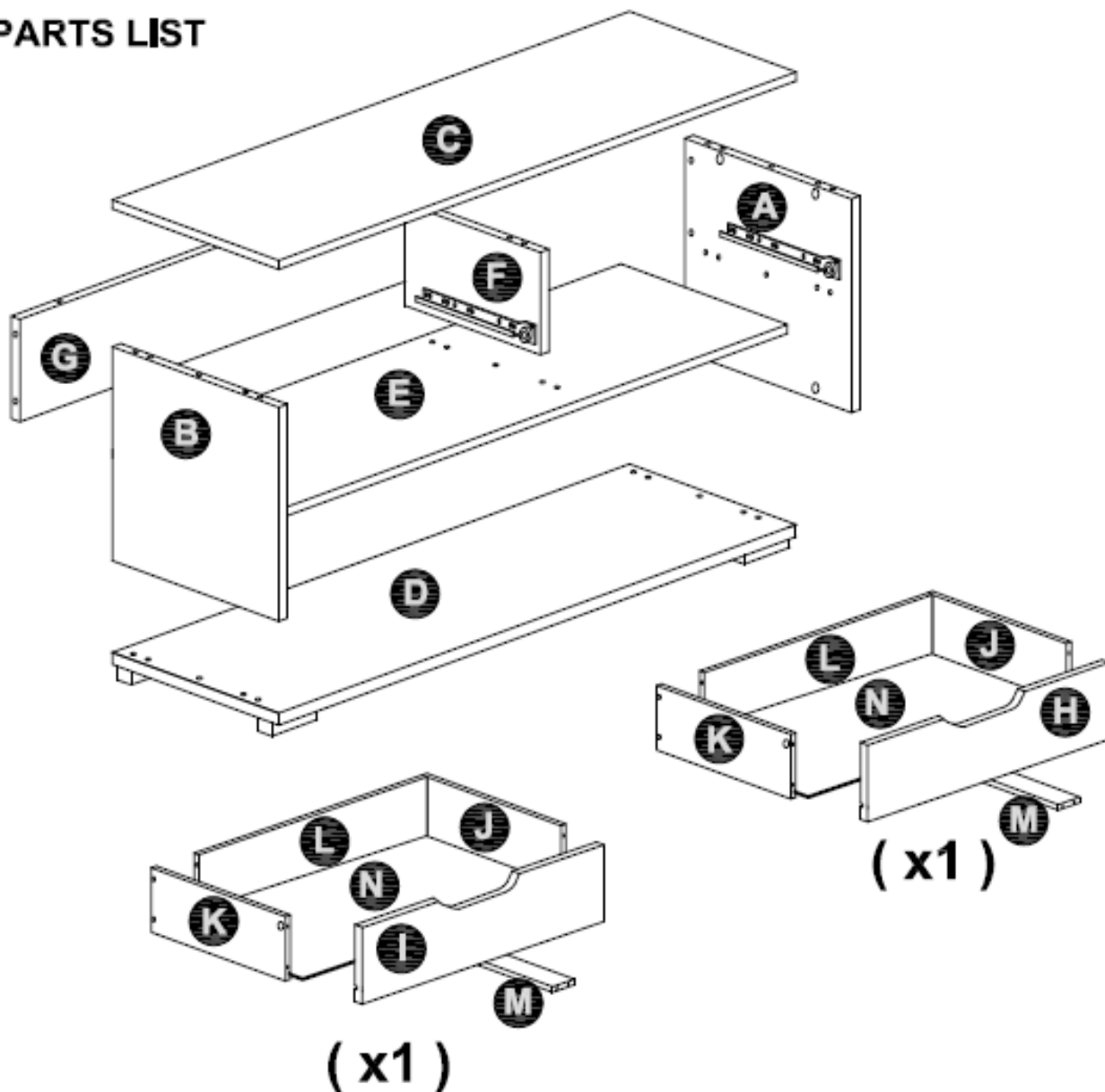
ASSEMBLED DIMENSIONS



NOTE : THE MAXIMUM WEIGHT THIS PRODUCT CAN HOLD UP TO IS 82 LBS.



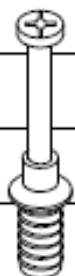







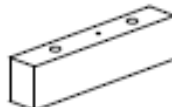

NO.	PART LIST	QTY	NO.	PART LIST	QTY
(A)	RIGHT SIDE PANEL	1	(H)	DRAWER COVER (RIGHT)	1
(B)	LEFT SIDE PANEL	1	(I)	DRAWER COVER (LEFT)	1
(C)	TOP PANEL	1	(J)	DRAWER RIGHT SIDE PANEL	2
(D)	BOTTOM PANEL	1	(K)	DRAWER LEFT SIDE PANEL	2
(E)	FIX PANEL	1	(L)	DRAWER BACK PANEL	2
(F)	CENTRE PANEL	1	(M)	DRAWER BOTTOM SUPPORT	2
(G)	BACK PANEL	1	(N)	DRAWER BOTTOM PANEL	2

PARTS LIST



HARDWARE LIST

4cm
3cm
2cm
1cm
0cm

				
44X Dia.6 x 30mm 1 WOOD DOWEL	14X Dia.15mm 2 CAMLOCK	18X M6.5 3 QUICKFIT	4X Dia 15mm 4 HOLE PLUG	12X M3,5 x 25mm 5 FLAT HEAD SCREW
				
10X M5 x 40mm 6 PAN HEAD SCREW	4X Dia.15mm 7 DRAWER CAMLOCK	5X 8 FOOT	2X M5 x 40mm 9 FLAT HEAD SCREW	
				
2X 10 GLUE 10CC	5X 11 LEG	5X M3 x 16mm 12 FLAT HEAD SCREW		

Top Tips before you start!

1. Please check that all parts are present before you start the assembly of your furniture.
2. For ease and speed of assembly, we recommend that before you commence each step of the assembly, that you identify all the parts required for that step.
3. For larger items, please ensure that you have sufficient space and people (as indicated on page 1) to assemble your product safely
4. We recommend that, where possible, all items are assembled near to the area in which they will be placed in use, to avoid moving the product unnecessarily once assembled.
5. For the protection of your furniture, we recommend that the product is placed on a protected surface during assembly to prevent any damage.
6. During assembly please take care not to over-tighten any fittings, as this may damage the product.
7. Always place the product on a flat, steady and stable surface.
8. Do not sit or stand on the product. Do not use the product as a stepladder.
9. This product is intended for indoor, household use only as it is a non-industrial product.
10. This product is constructed from re-inforced hollow board. Excessive pressure causes irreparable damage. Please do not kneel on any part of this product during assembly.

Care and Maintenance of your Furniture

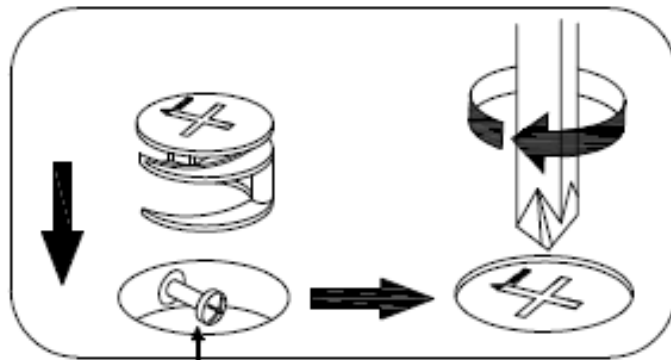
- Please periodically check all fittings and re-tighten as necessary.
- To clean your item, please use a damp cloth and wipe clean.
- Never allow any kind of liquid to remain on your furniture. Absorption can cause wood to warp or finishes to de-laminate.
- Please do not place hot items (e.g. hot drinks) directly on to the wood surface.
- Please do not drag and pull your furniture.

SPECIAL TIPS FOR FITTING CAM-LOCKS AND QUICKFIT

CAM-LOCK

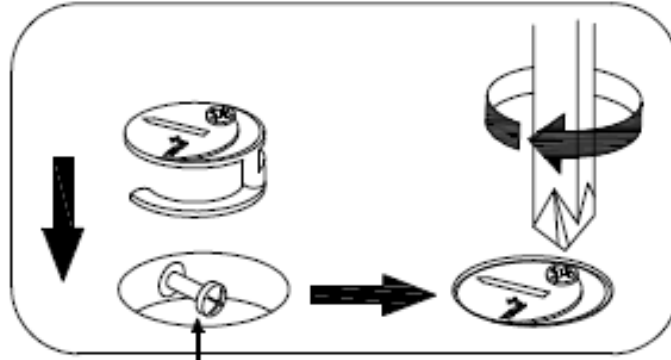


WHEN FITTING CAMLOCK
ENSURE STARTING POSITION IS CORRECT
BEFORE YOU INSERT CONNECTING QUICKFIT
TURN CLOCKWISE UNTIL SECURE



Quickfit head needs to be in centre

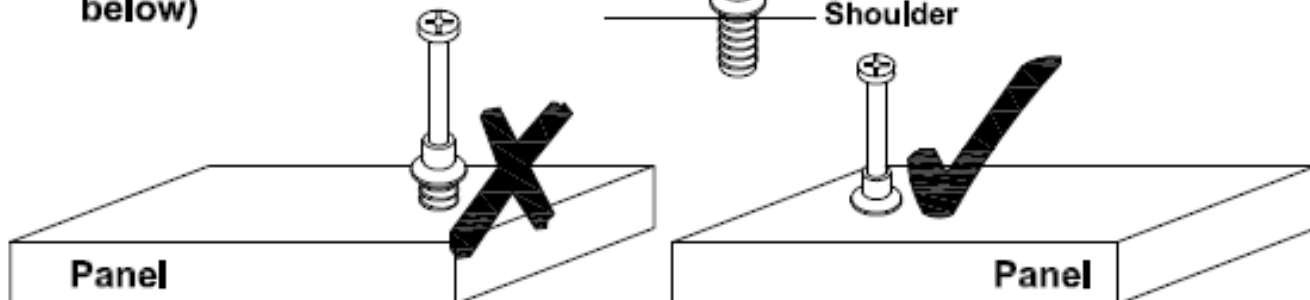
DRAWER
CAM-LOCK



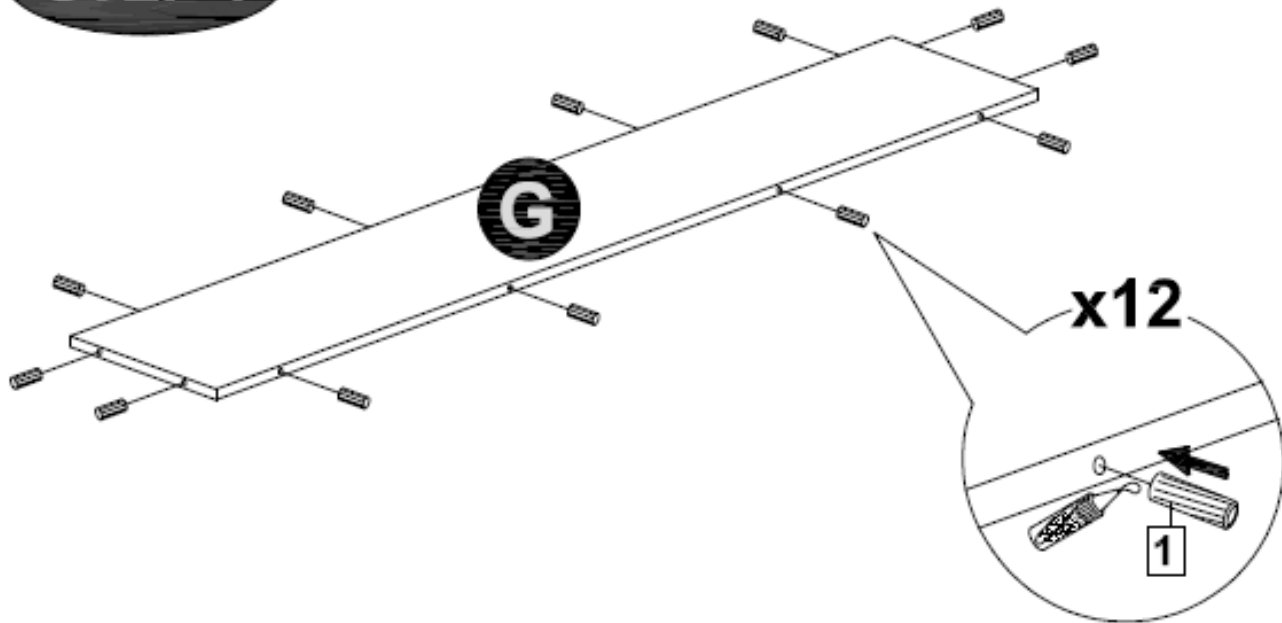
Quickfit head needs to be in centre

QUICKFIT

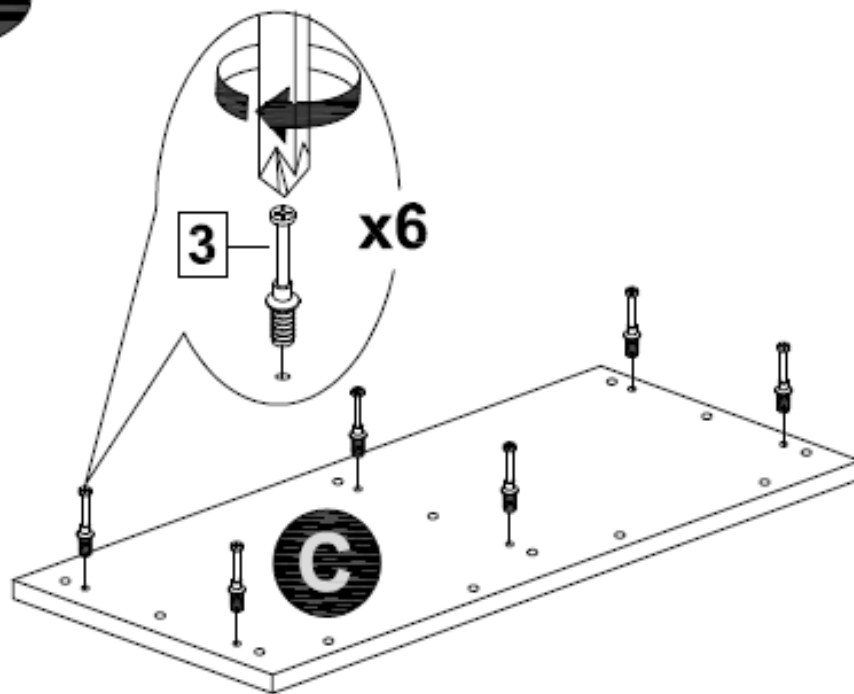
Tighten until shoulder is flush with panel. Do not overtighten or undertighten (see example below)



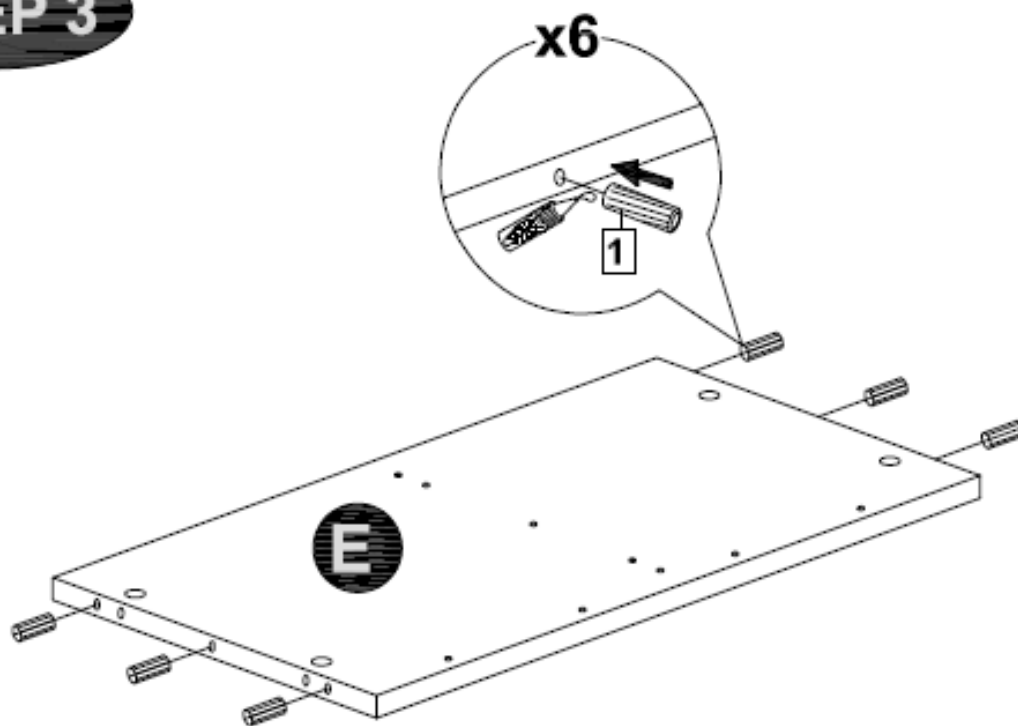
STEP 1



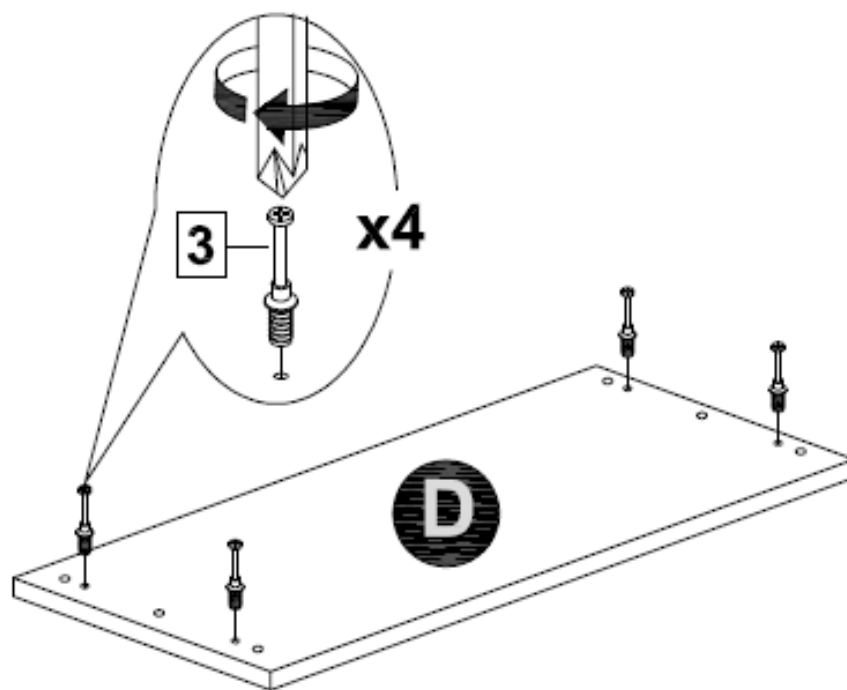
STEP 2



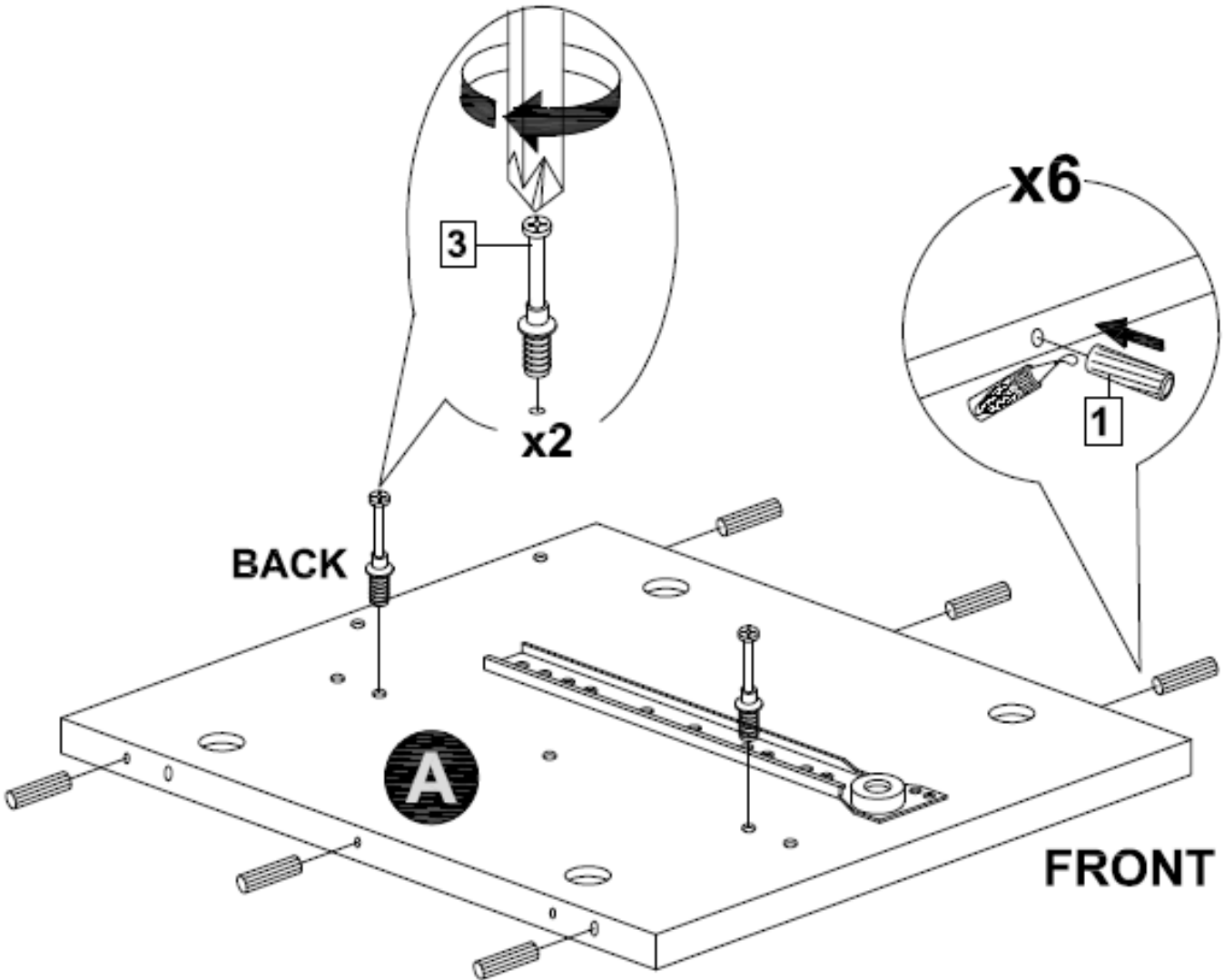
STEP 3



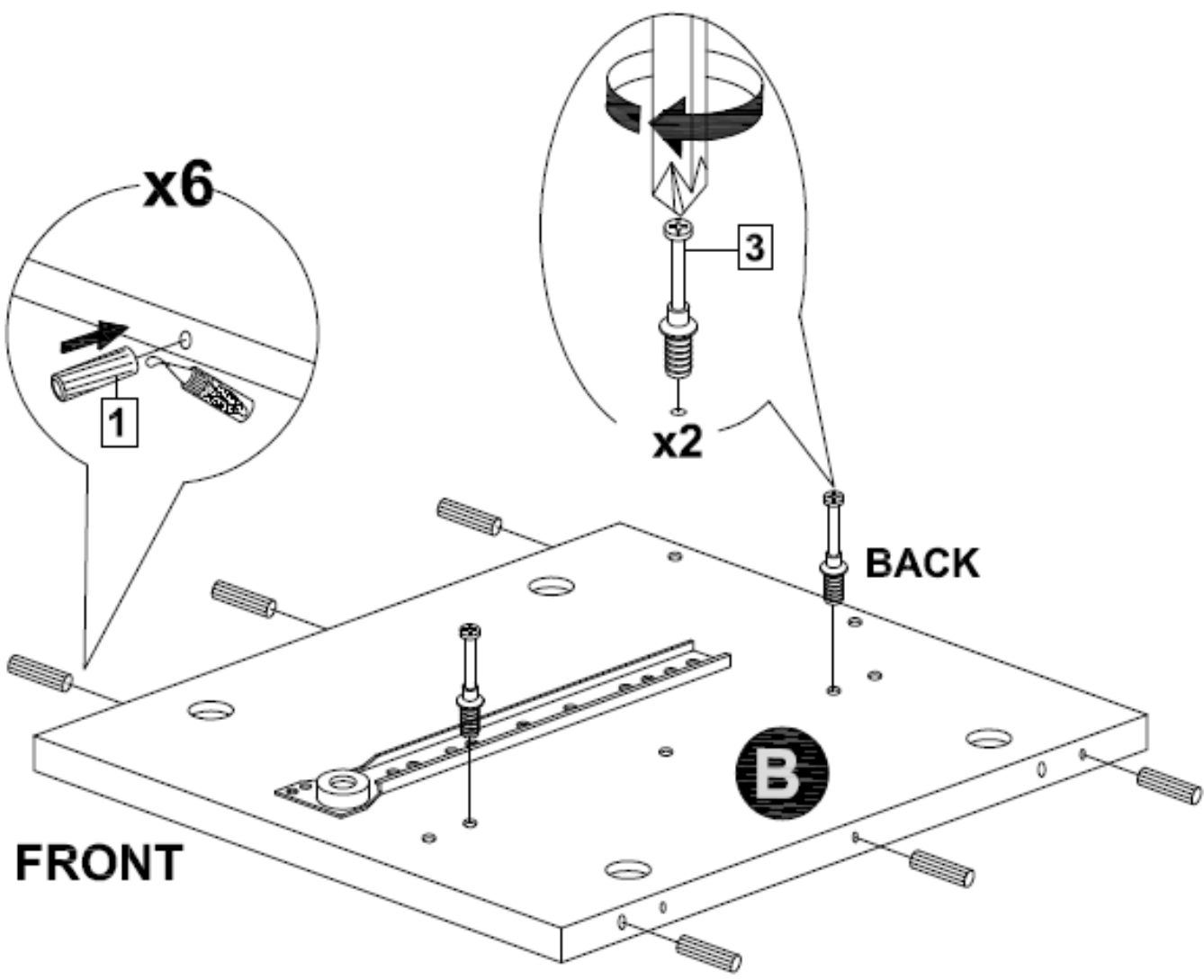
STEP 4



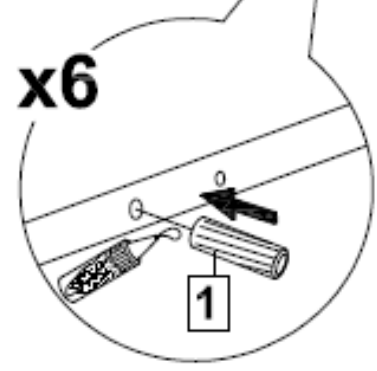
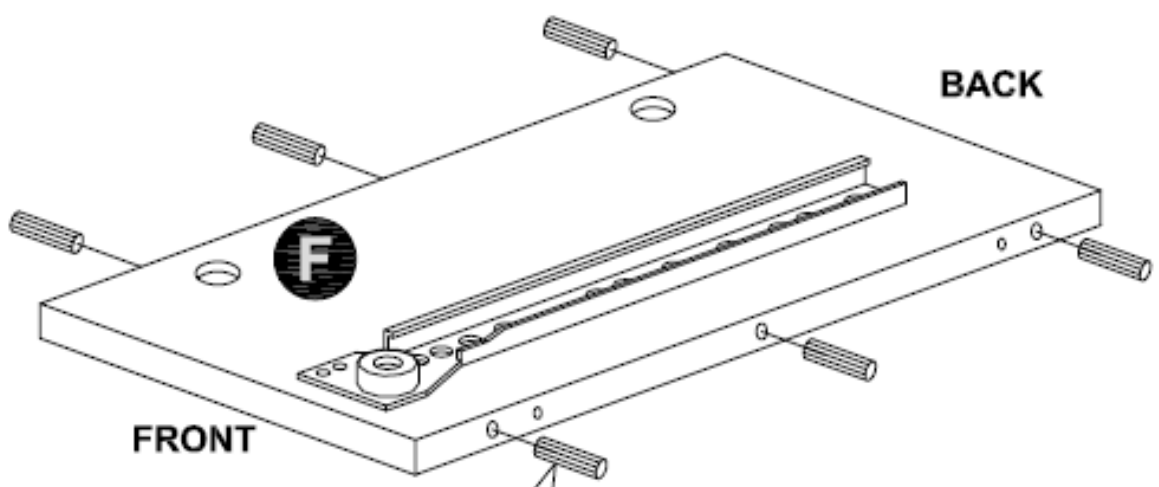
STEP 5



STEP 6

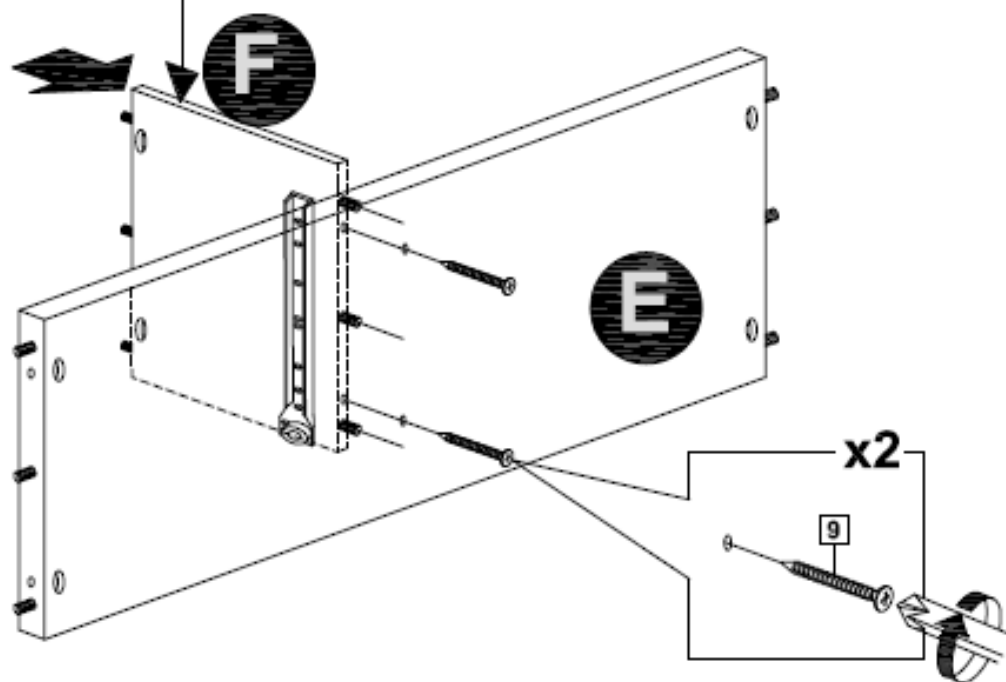


STEP 7

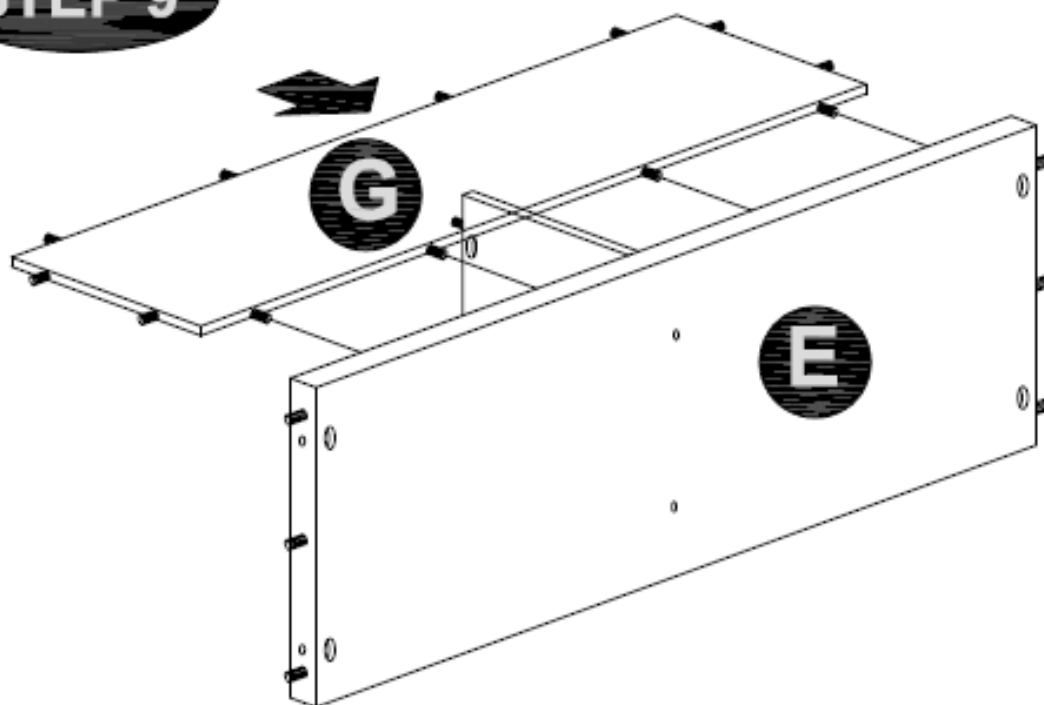


STEP 8

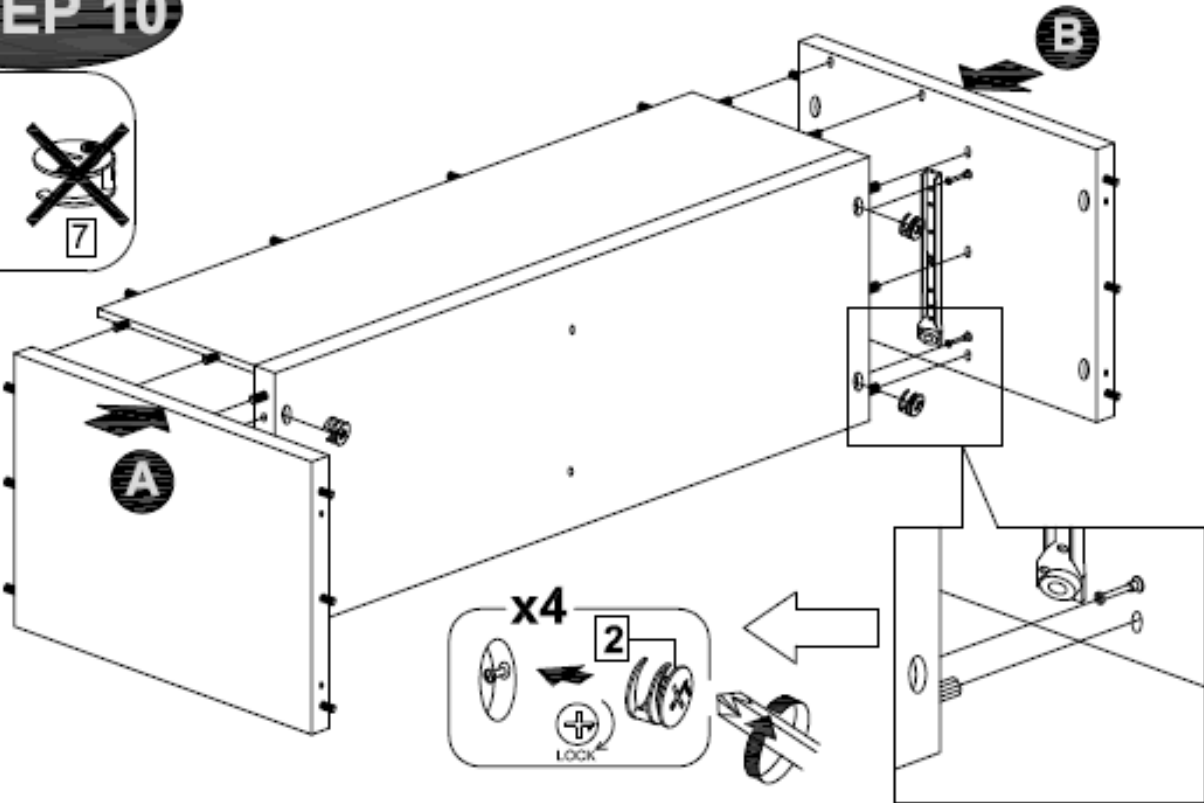
WITHOUT
EDGING SIDE



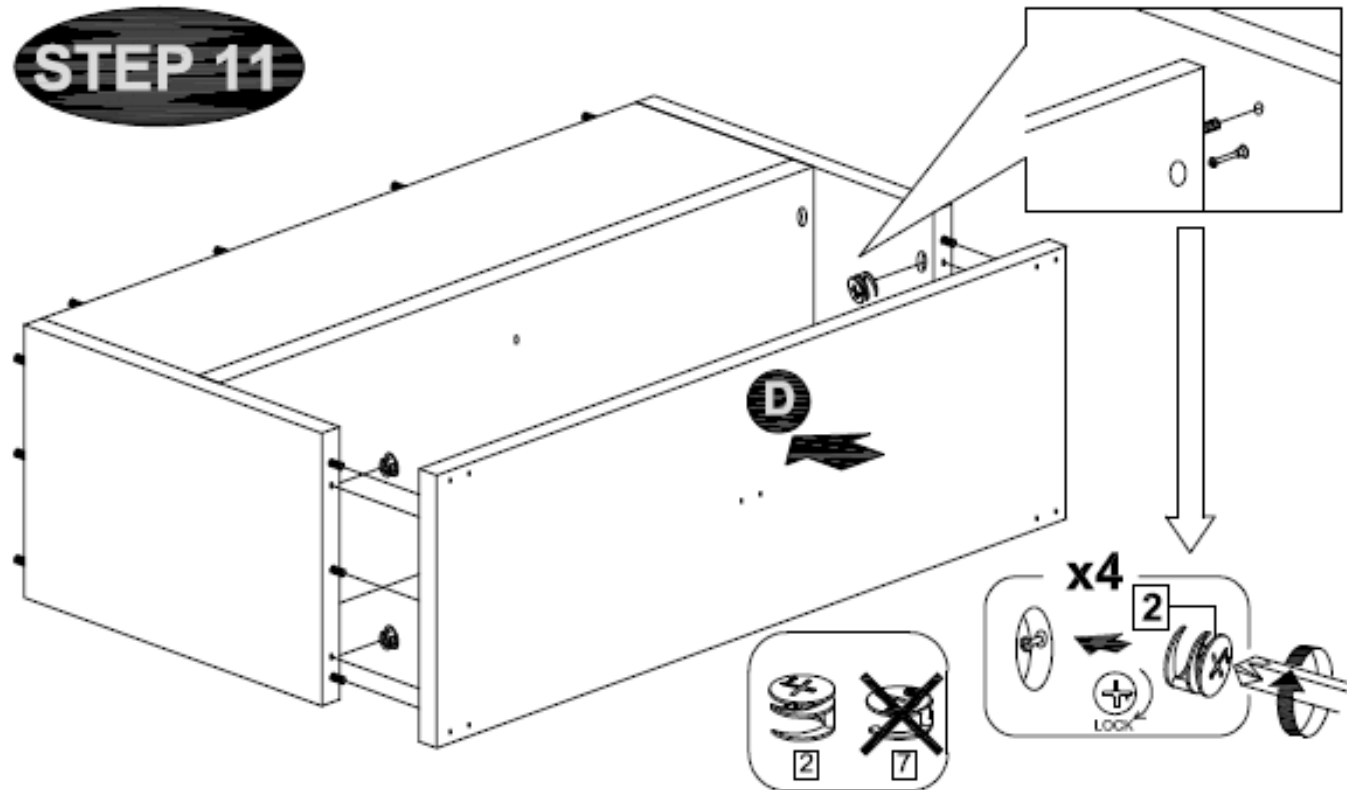
STEP 9



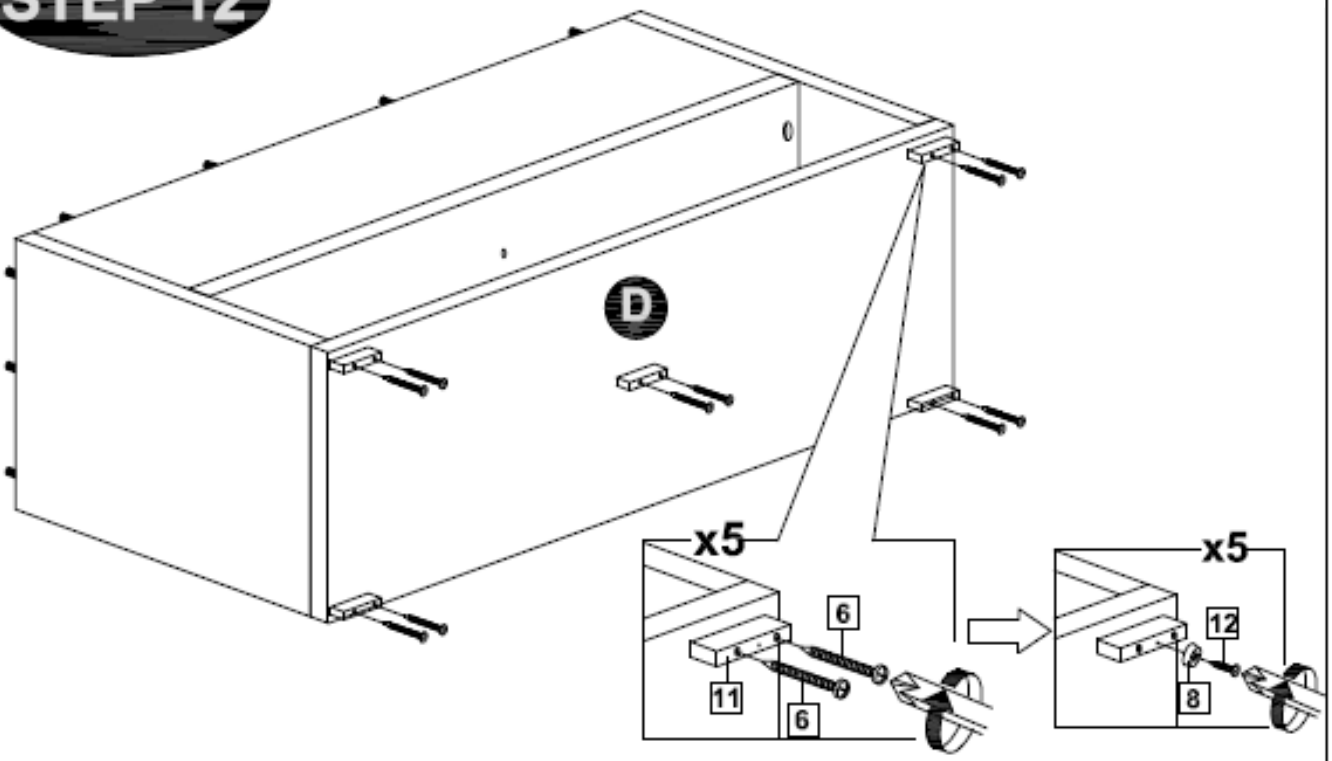
STEP 10



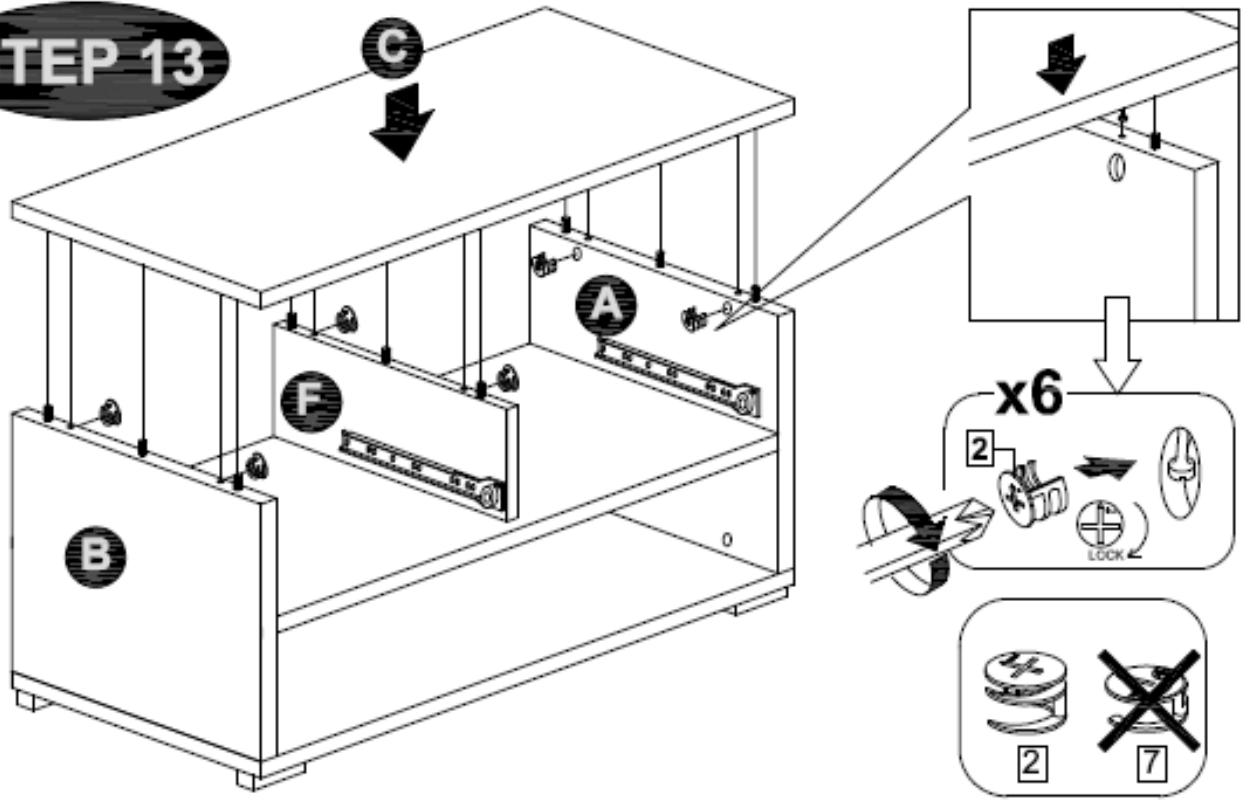
STEP 11



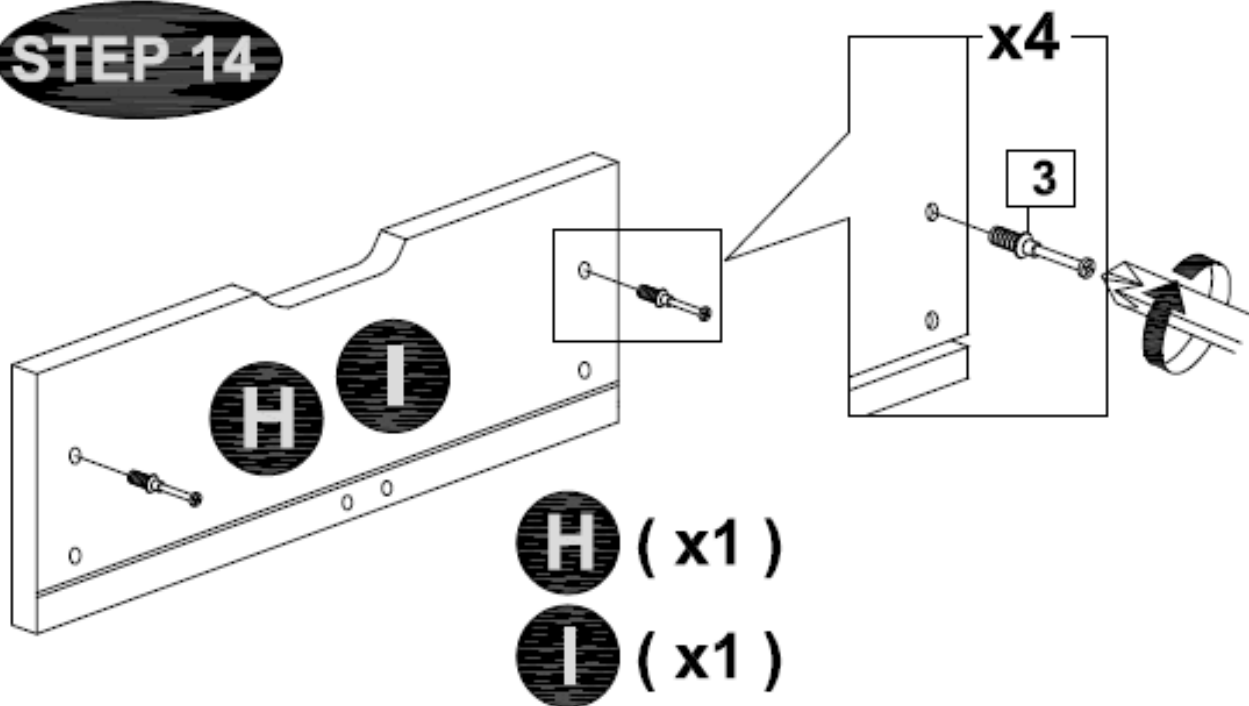
STEP 12



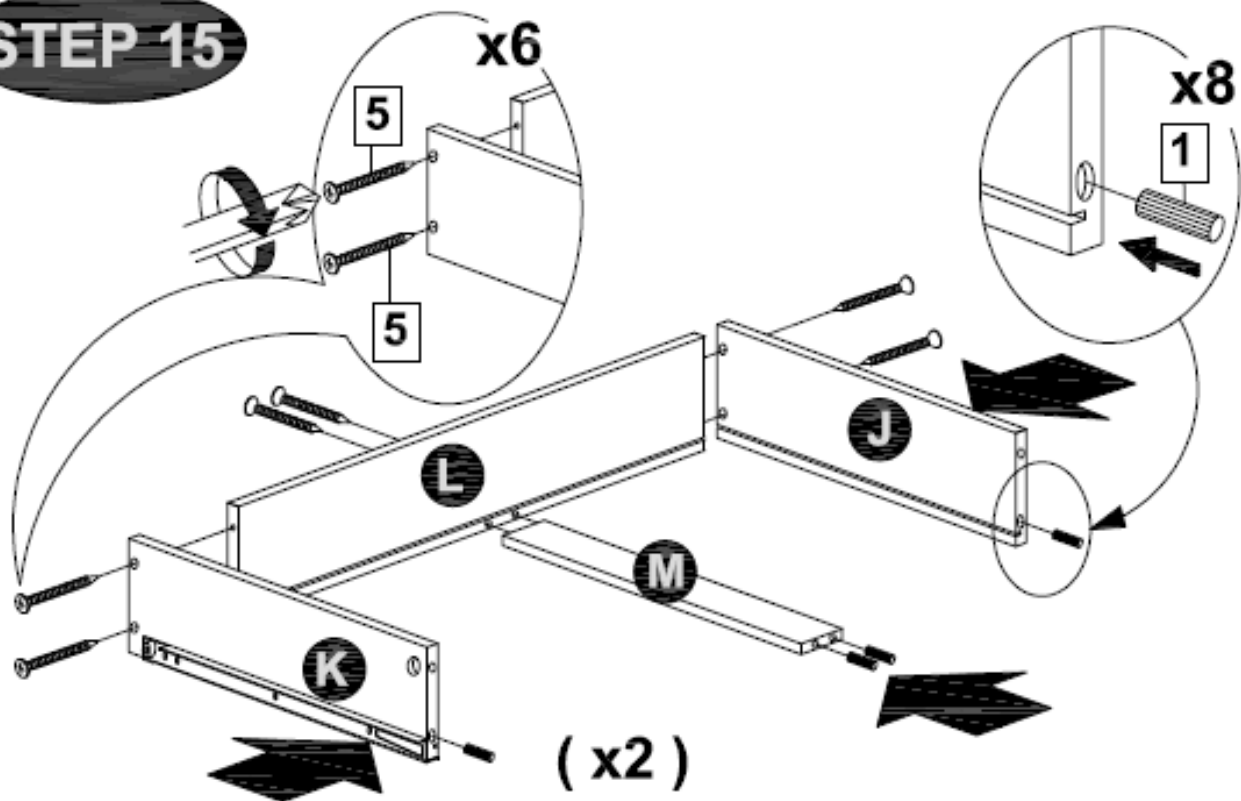
STEP 13



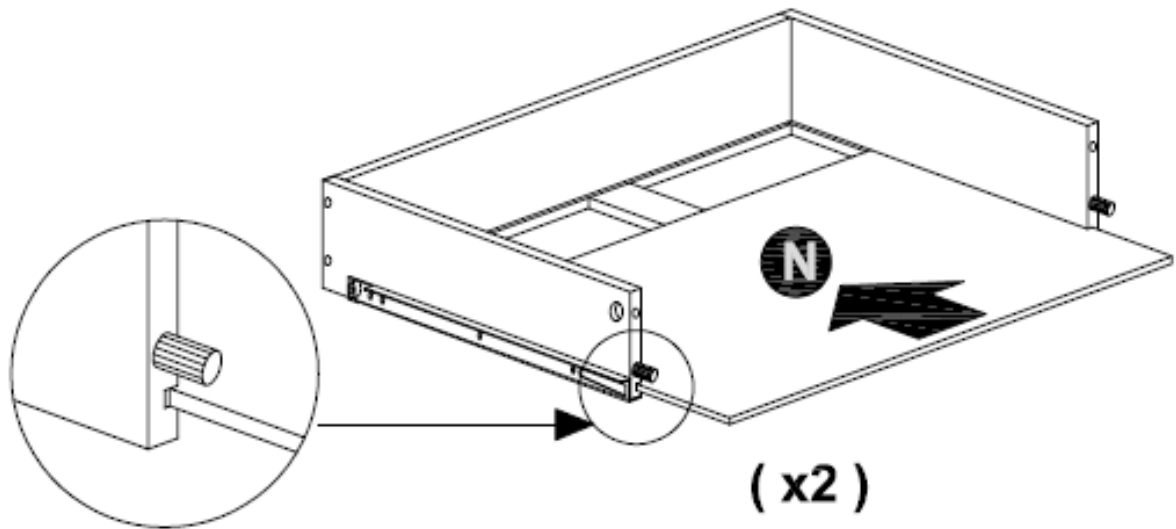
STEP 14



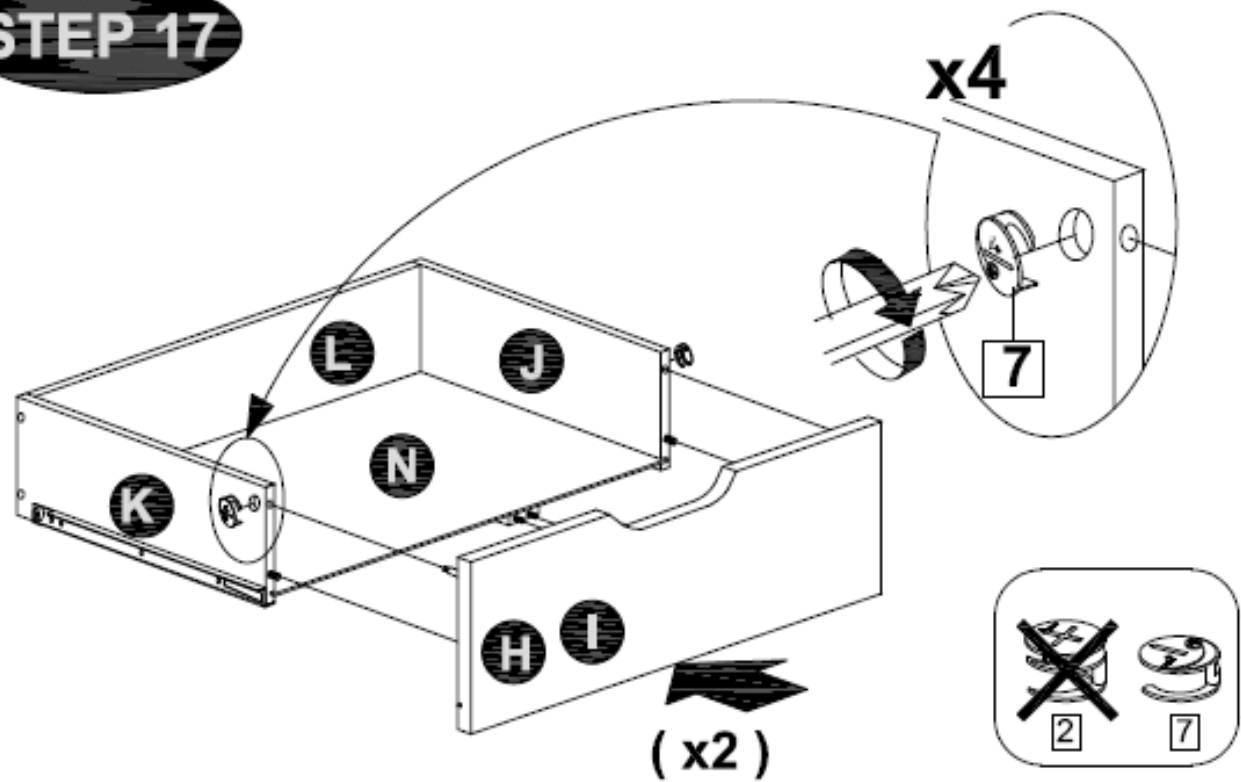
STEP 15



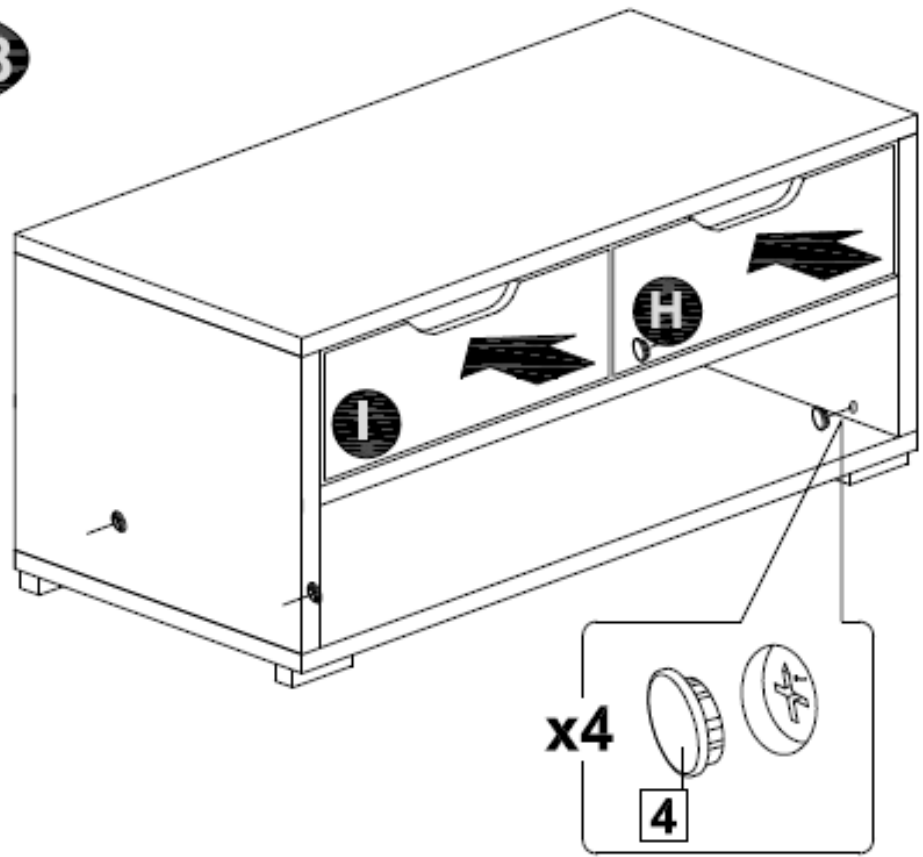
STEP 16



STEP 17



STEP 18



STEP 19

