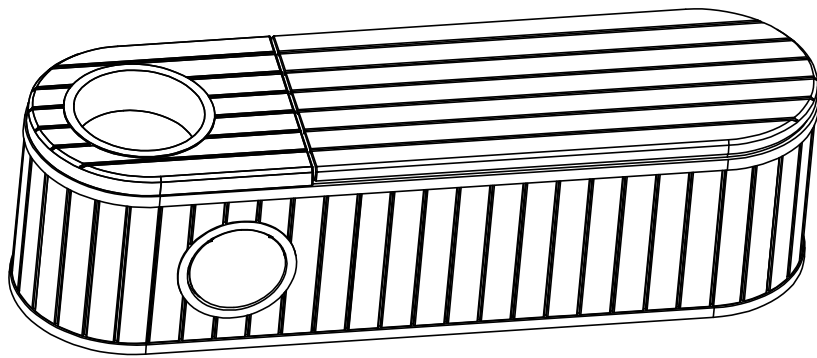


# ASSEMBLE INSTRUCTIONS



# IMPORTANT

Once installed, the product cannot be detached. Strictly follow each step in the installation manual.

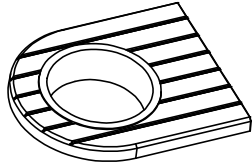
- Gather and organize all required parts prior to assembly. If you have any problems or discover any missing parts, please contact customer service.
- Some parts may contain sharp edges. Wear protective gloves if necessary during assembly.

---

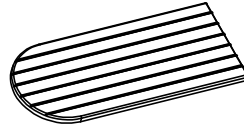
# CARE & SAFETY

- Assemble on a flat, clean and soft surface.
- In case of fire, do not attempt to extinguish any burning polypropylene with water.
- Wear safety-goggles and always follow the manufacturer's instructions when using power tools.
- During installation, please refer to the accessories guide to ensure that they are installed in the correct directions.
- Do not stand on the lid.

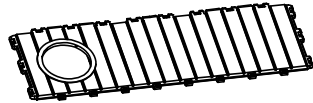
# PARTS LIST



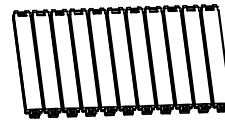
**F(X1)**



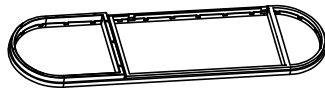
**J(X1)**



**A1(X2)**



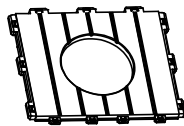
**B(X2)**



**E(X1)**



**D(X1)**





**C(X1)**

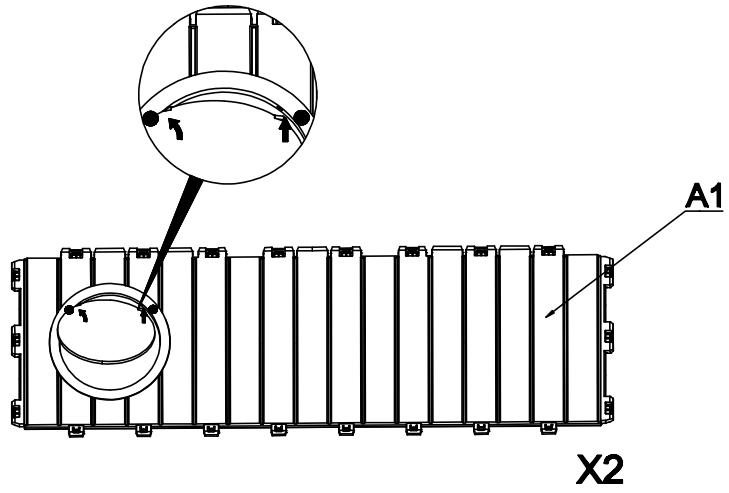


**G(X2)**

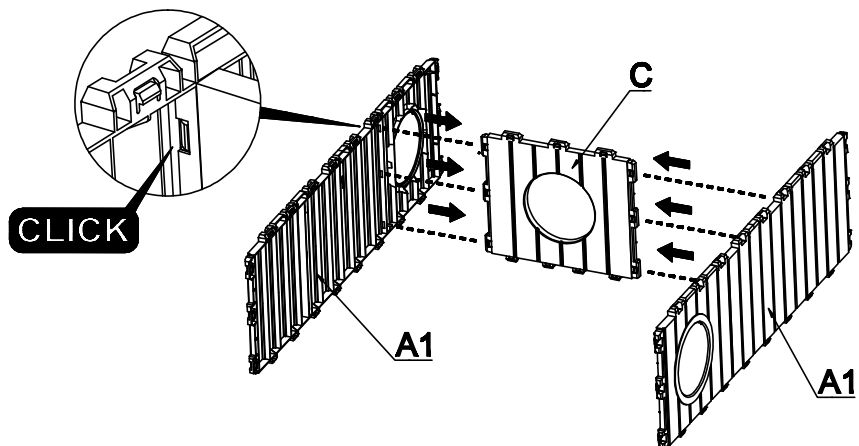


**(X2)**

1  A1(X2)  (X2)

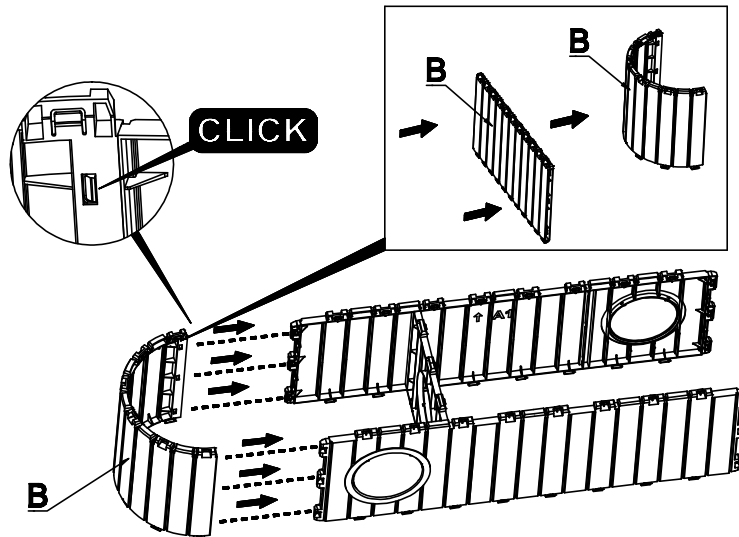


2  C(X1)

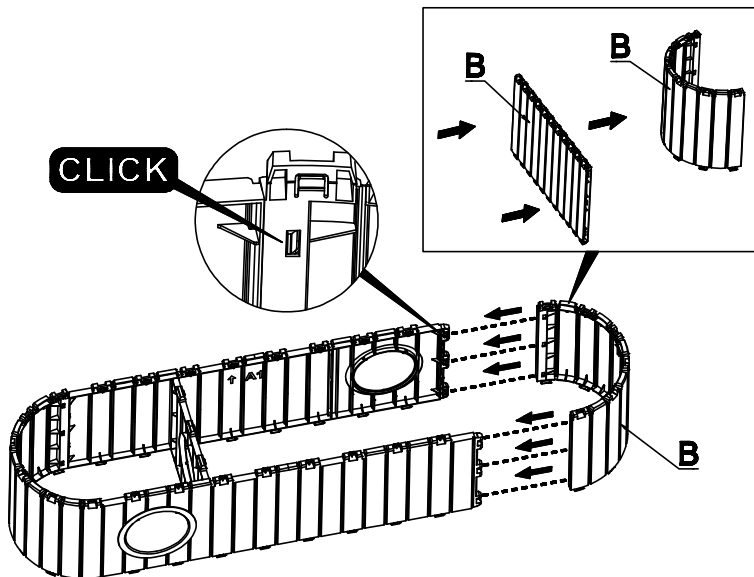


3

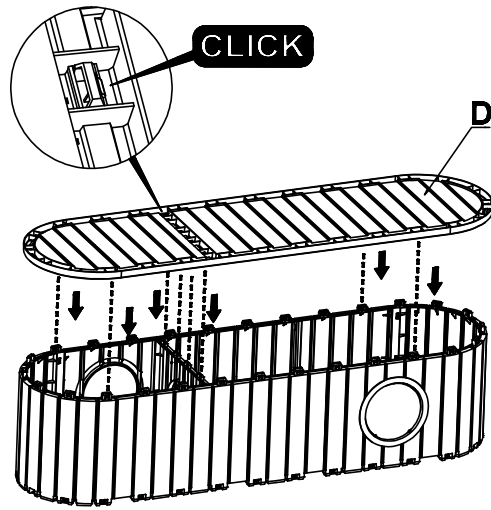
3  B(X1)



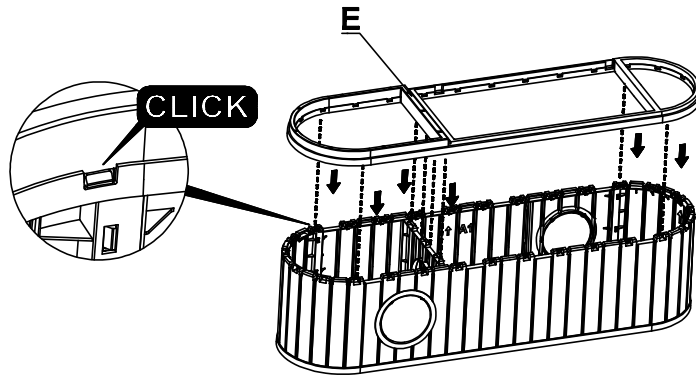
4  B(X1)




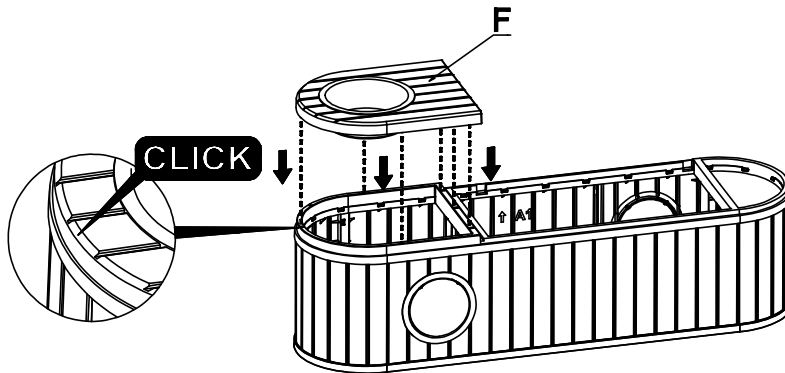
5  D(X1)





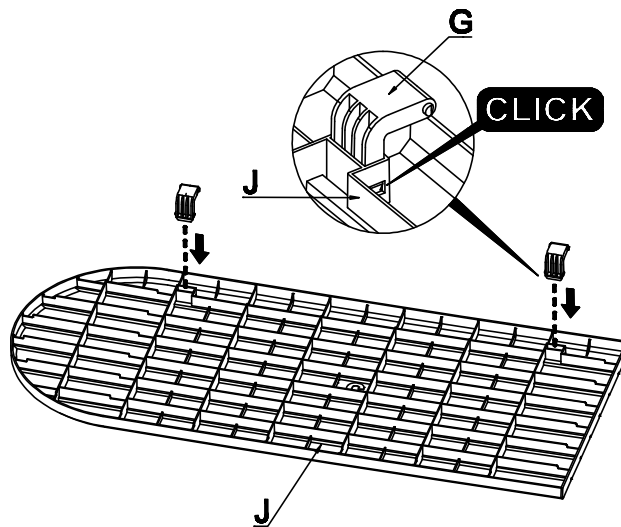
6  E(X1)



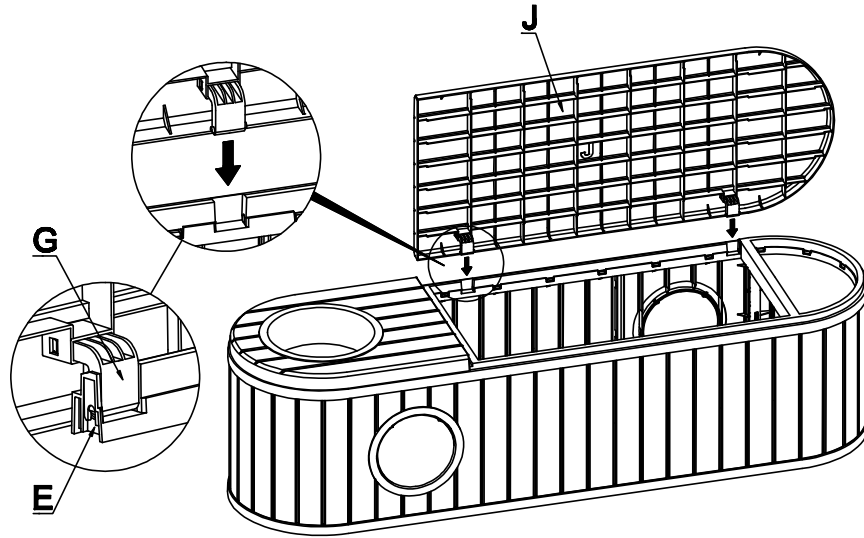
7  F(X1)



8  J(X1)  G(X2)



9



10

