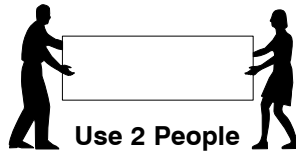
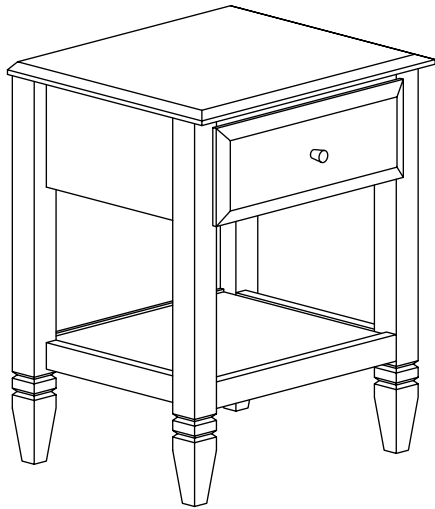


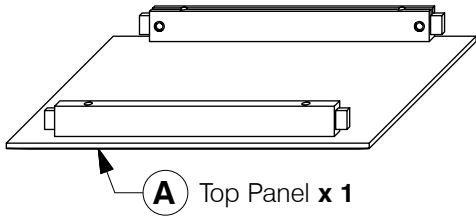
Nightstand

Assembly Instructions

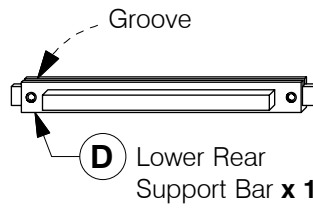


Note: Do not assemble using power tools. This can cause the bolts to be overtightened

1 Parts List

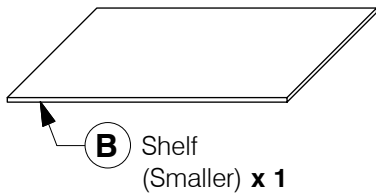


A Top Panel x 1



Groove

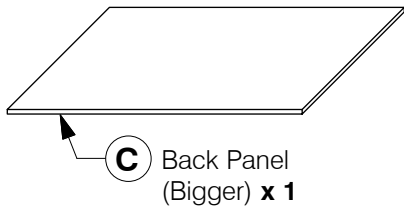
D Lower Rear Support Bar x 1



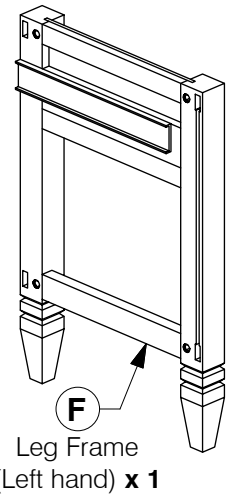
B Shelf (Smaller) x 1



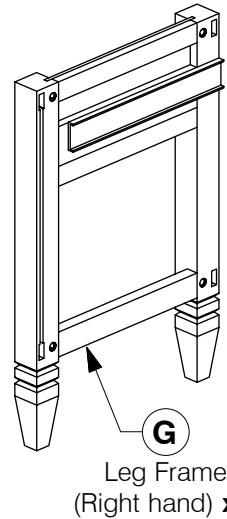
E Lower Front Support Bar x 1



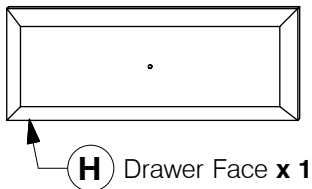
C Back Panel (Bigger) x 1



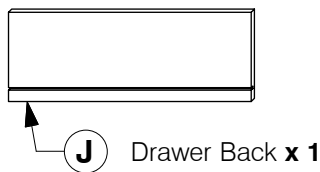
F Leg Frame (Left hand) x 1



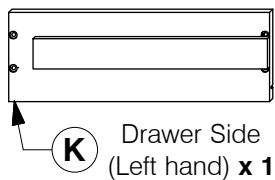
G Leg Frame (Right hand) x 1



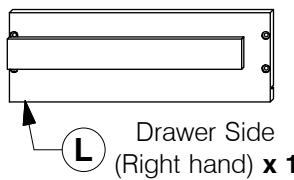
H Drawer Face x 1



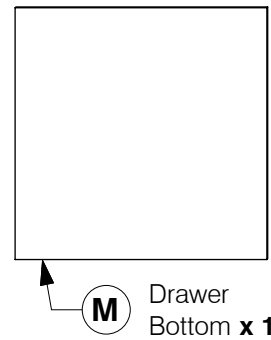
J Drawer Back x 1



K Drawer Side (Left hand) x 1



L Drawer Side (Right hand) x 1



M Drawer Bottom x 1

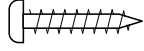
Nightstand

Assembly Instructions

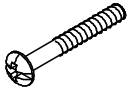
2 Hardware List



1 M6 x 15mm JCB
x 16



2 M4 x 25mm Wood Screw
x 8



3 M4 x 22mm Wood Screw
x 1



4 L' Bracket (5005-3)
x 8

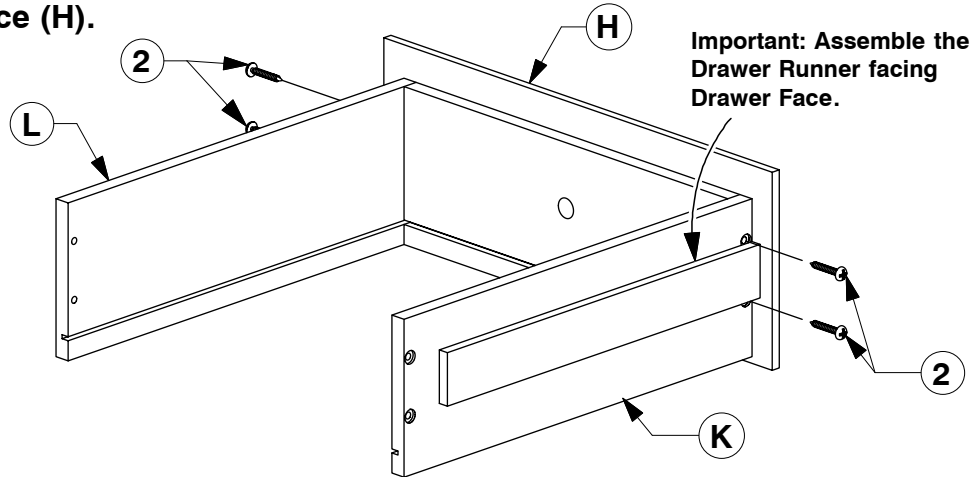


5 Handle (1005)
x 1

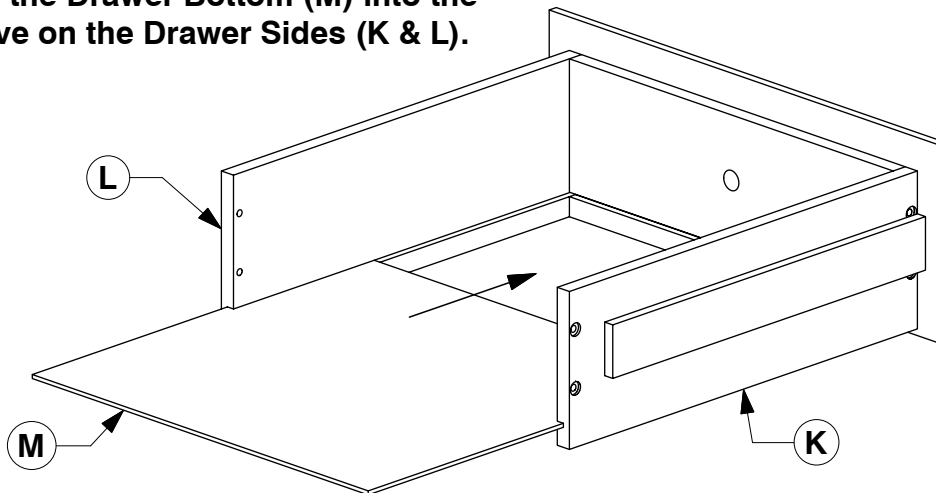


6 Allen Key
x 1

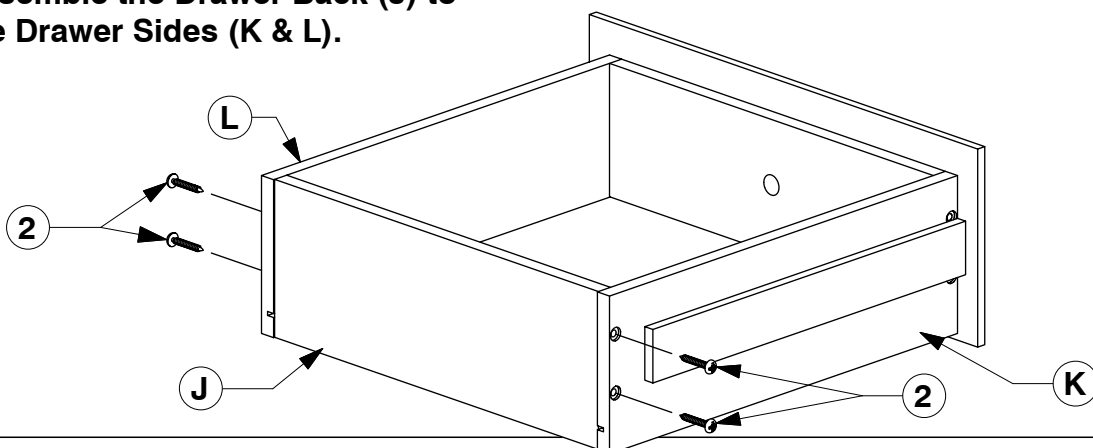
3 Assemble the Drawer Sides (K & L) to the Drawer Face (H).



4 Slide the Drawer Bottom (M) into the groove on the Drawer Sides (K & L).



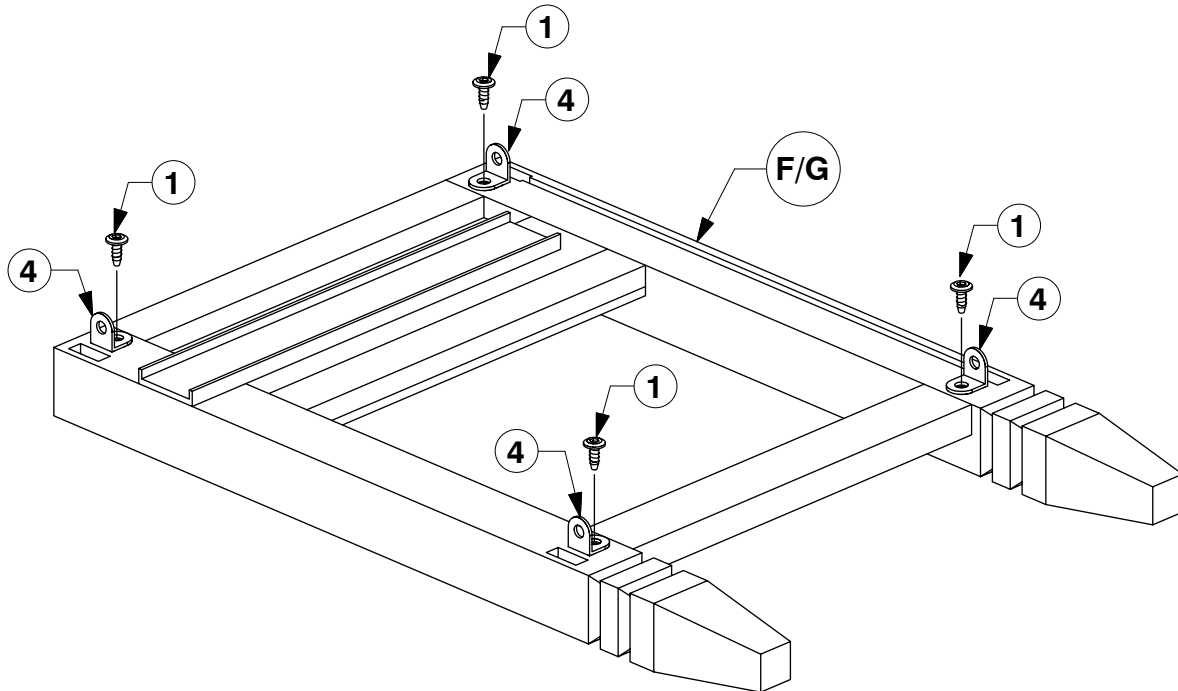
5 Assemble the Drawer Back (J) to the Drawer Sides (K & L).



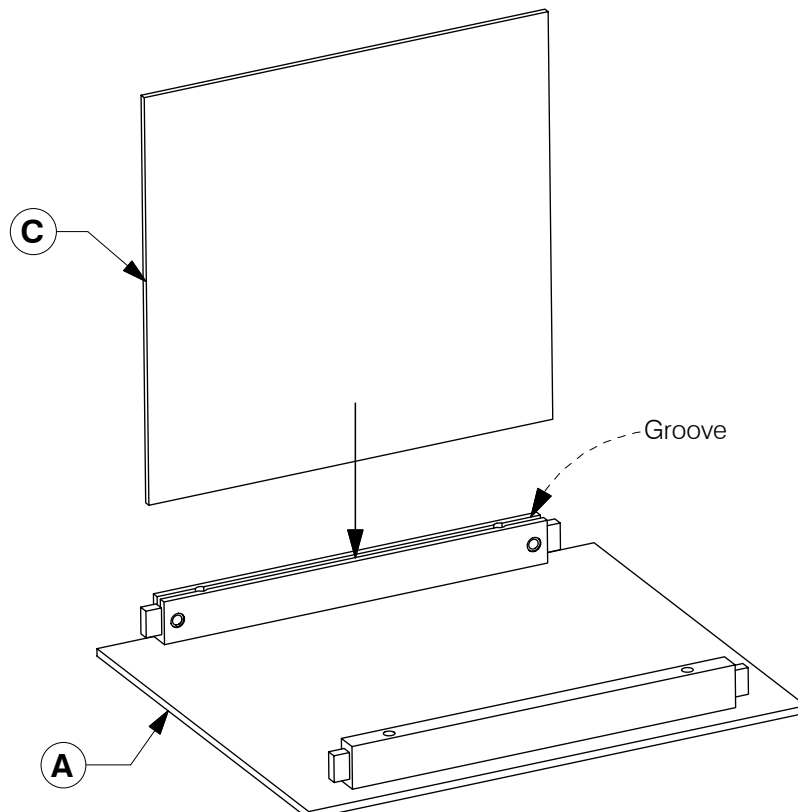
Nightstand

Assembly Instructions

- 6** Fit the 'L' Bracket to the Left & Right hand Leg Frame (F & G).



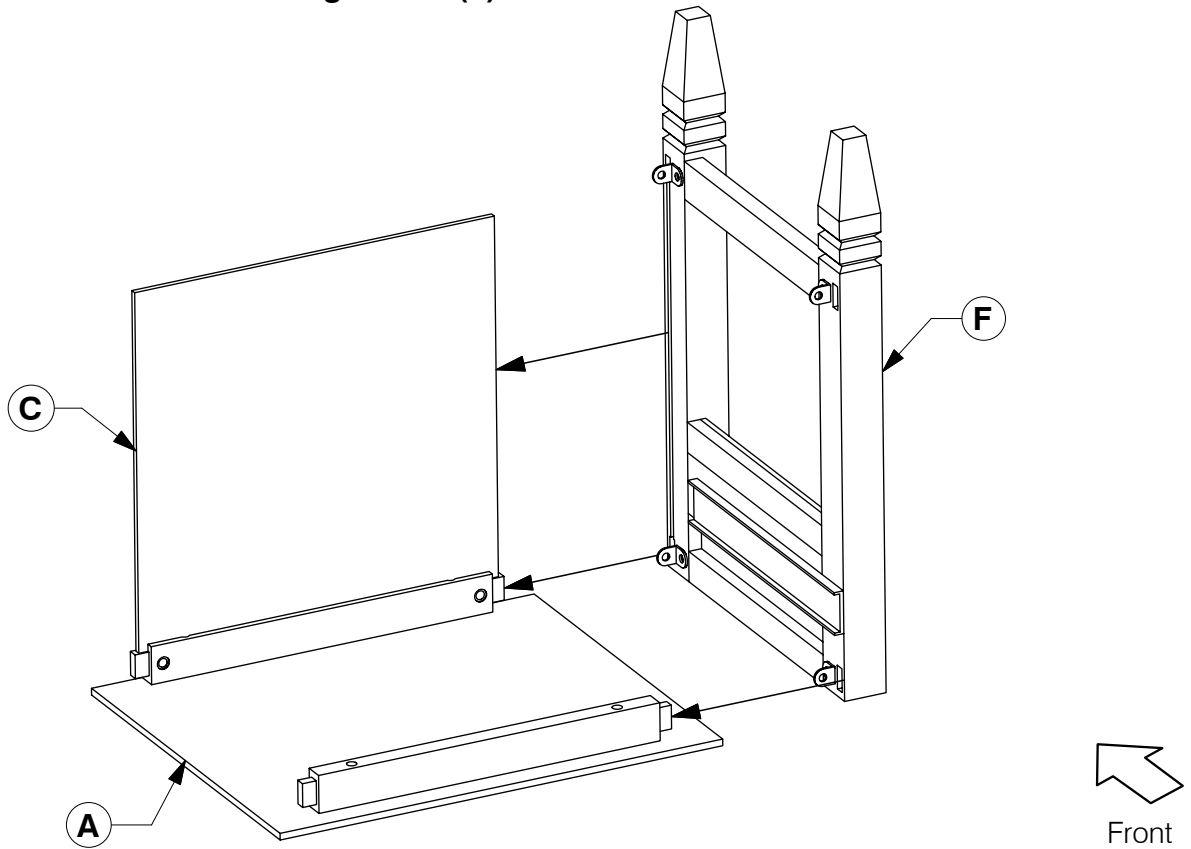
- 7** Fit the Back Panel (C) to the Top Panel (A).



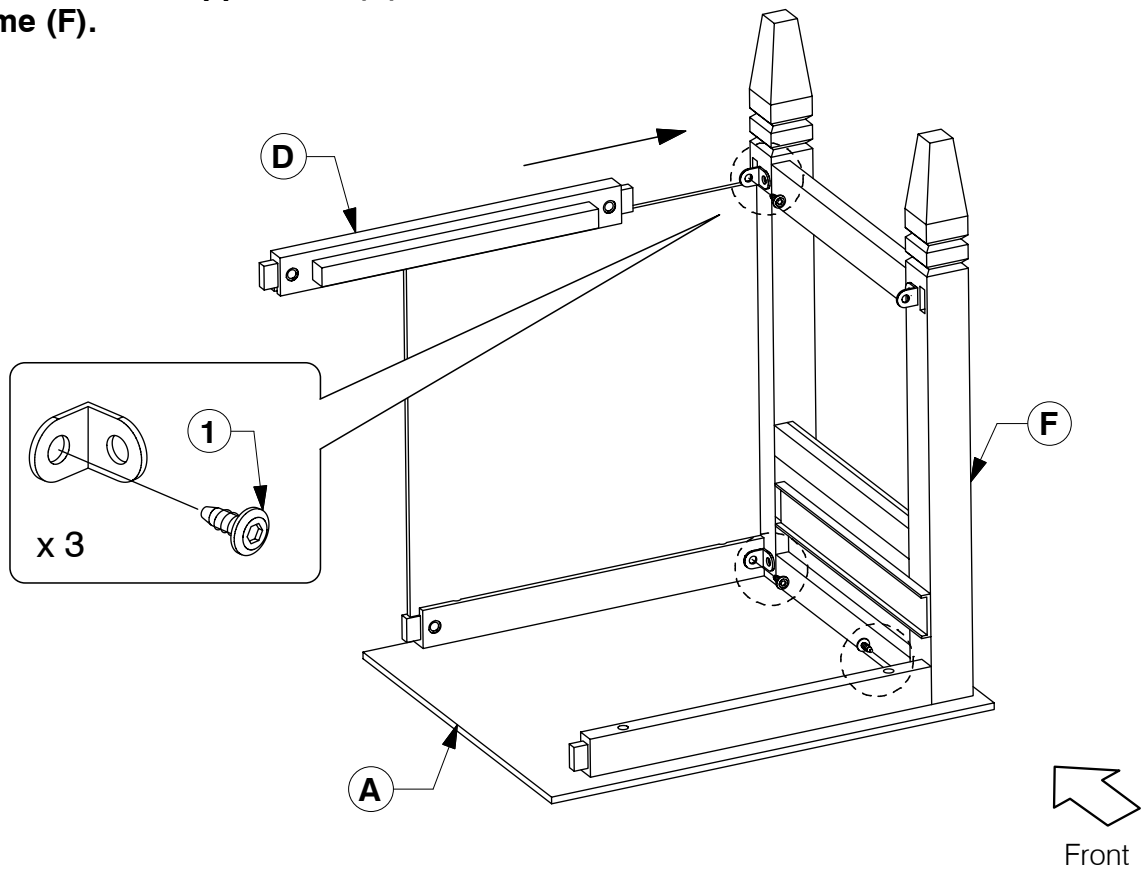
Nightstand

Assembly Instructions

8 Assemble the Left hand Leg Frame (F).



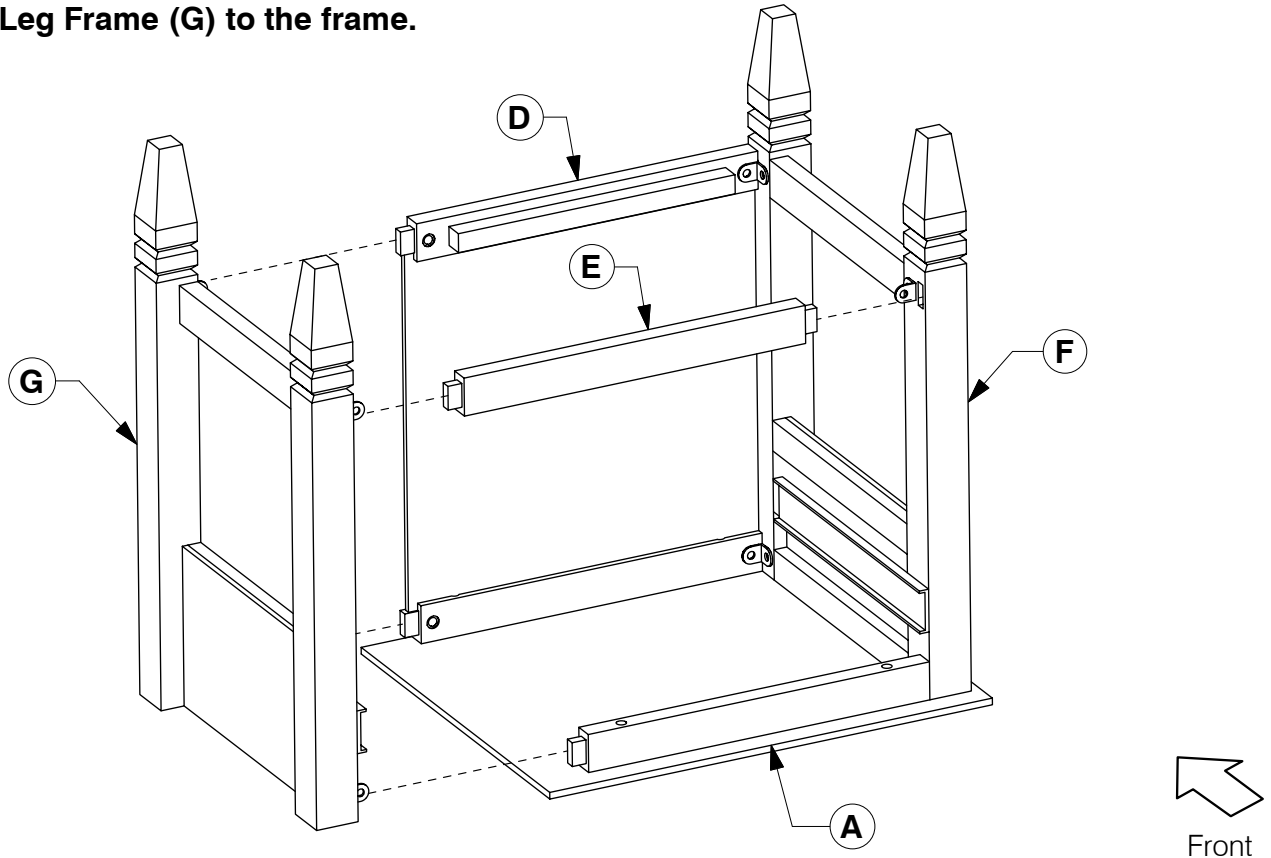
9 Fit the Lower Rear Support Bar (D) to the Left hand Leg Frame (F).



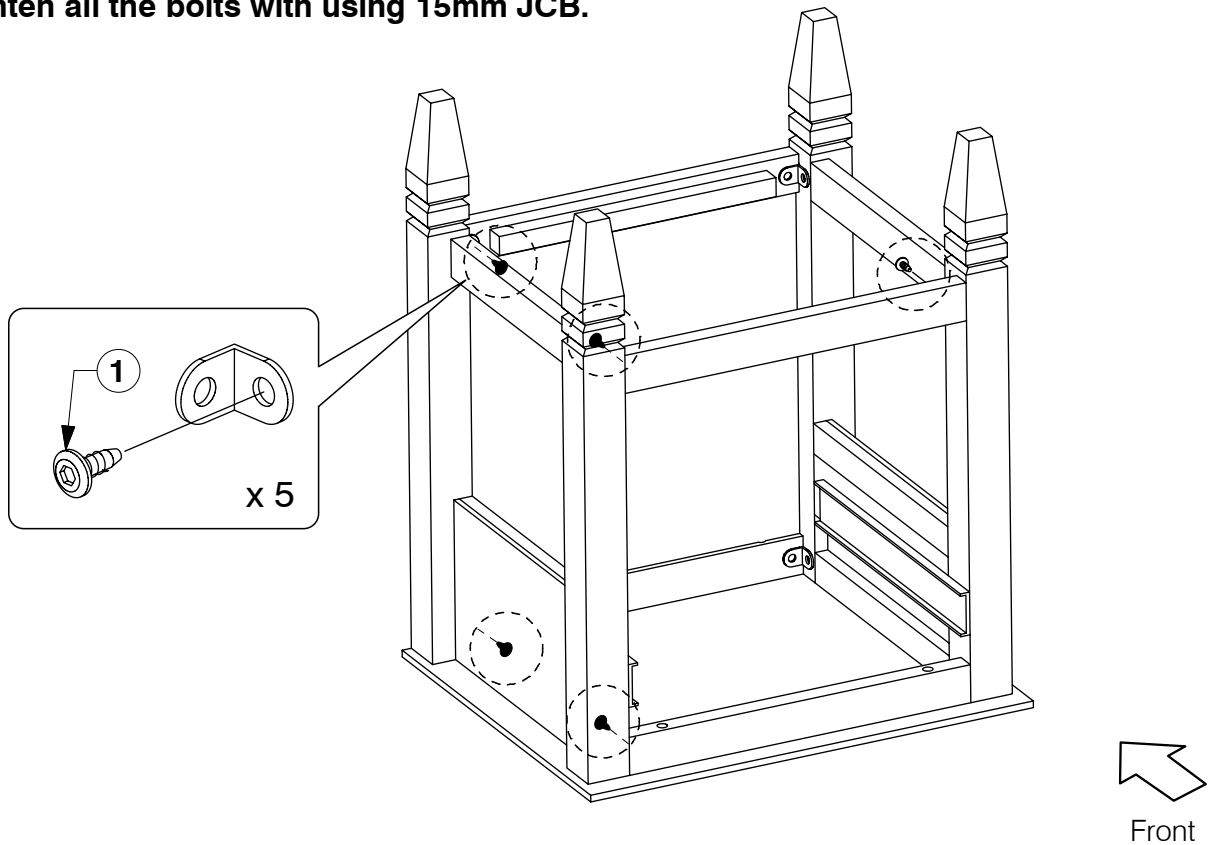
Nightstand

Assembly Instructions

- 10** Fit the Lower Front Support Bar (E) to the Left hand Leg Frame (F). Assemble the Right hand Leg Frame (G) to the frame.



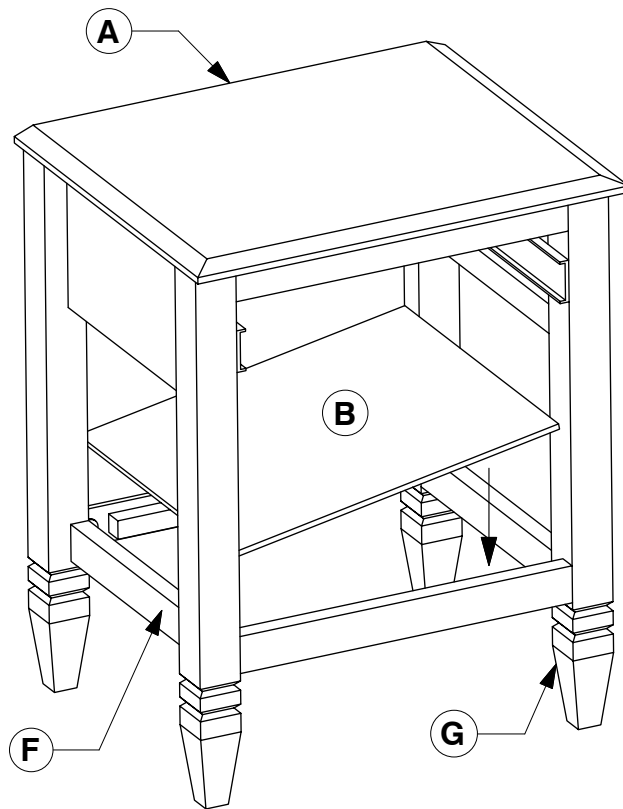
- 11** Tighten all the bolts with using 15mm JCB.



Nightstand

Assembly Instructions

12 Fit the Shelf (B).



Front

13 Fit the Handle to the Drawer face (H). Finally, fit the assembled Drawer.

